

# DRAGON WAGON (part 3)

The parts included in this kit are to be assembled in conjunction with the Tamiya kit. For best results in the assembling of photo-etched and resin parts use cyanoacrylate glue. Always remember to use cyanoacrylate glue in a well ventilated area. Before assembling be sure to remove all the parts to be substituted with photo-etched parts. It is advisable before assembling to study well the instructions which accompany this kit plus any other sufficient documentation.

- REMOVE OR SUBSTITUTE THE WITH ROYAL MODEL PART
- MAKE 2 PIECES
- RESIN ROD
- PLASTIC KIT PART
- RESIN PART
- REPEAT SAME OPERATION FOR THE OTHER SIDE

## 1

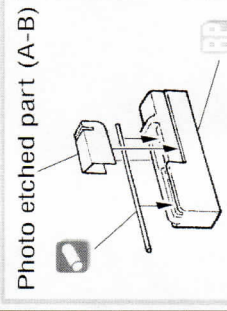
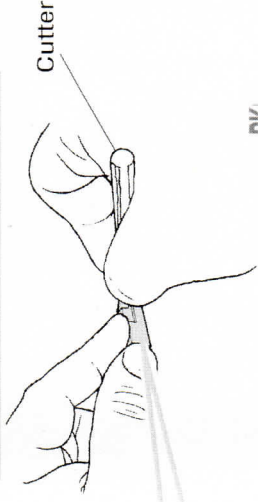
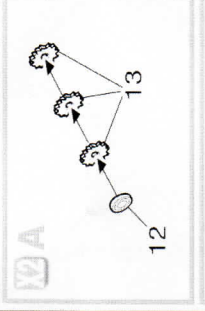


Photo etched part (A-B)

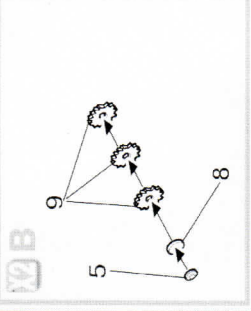
Make the rod as shown below.



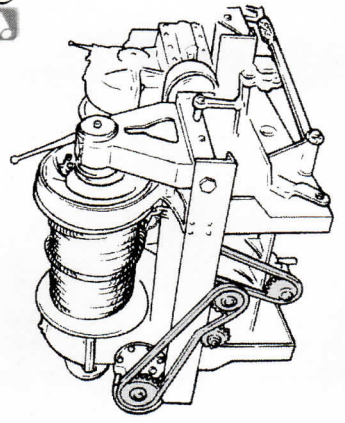
Cutter



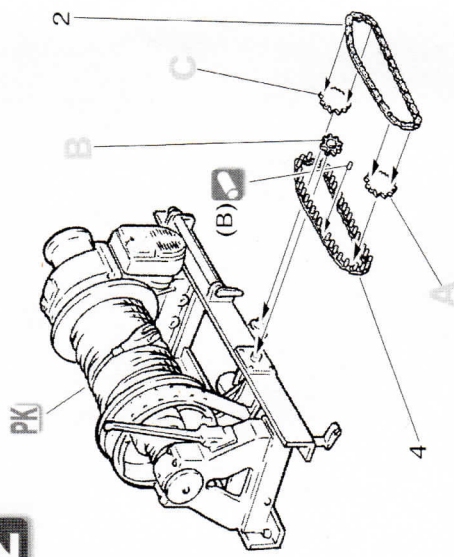
A



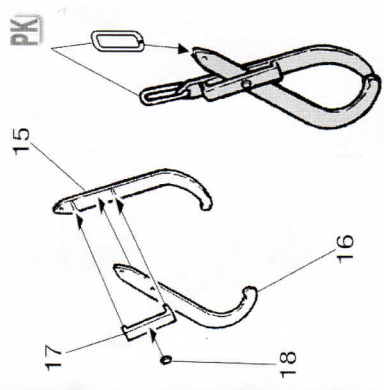
B



## 2



## 3



## 4

