

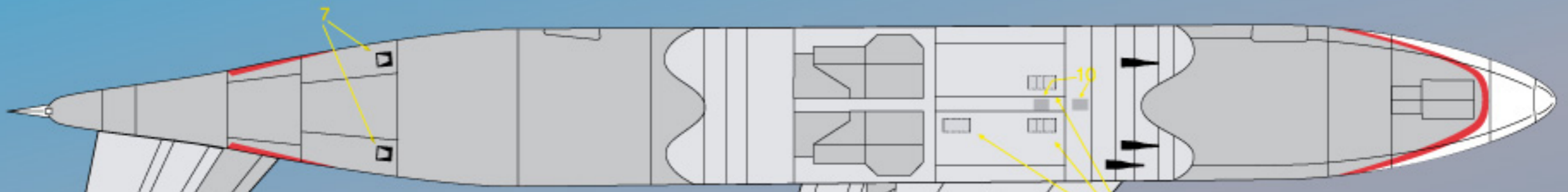
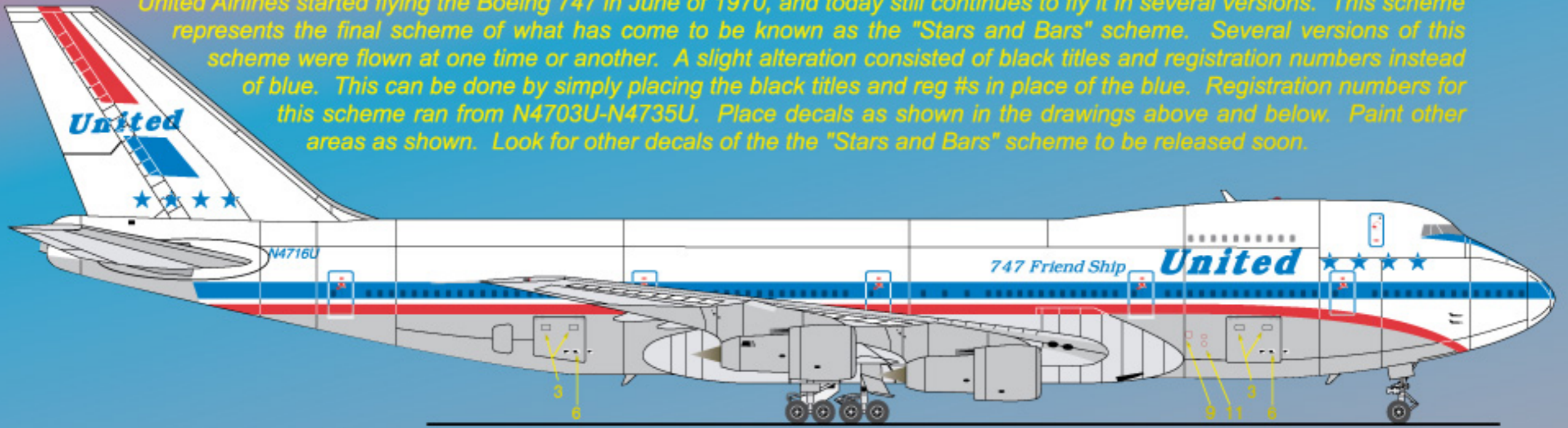


# Classic Series...

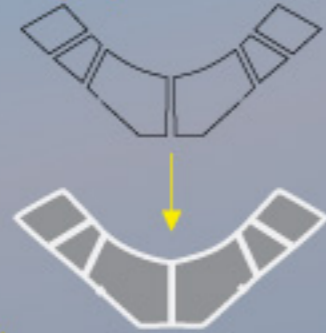
United 747 for the Revell 1/144 Scale Kit



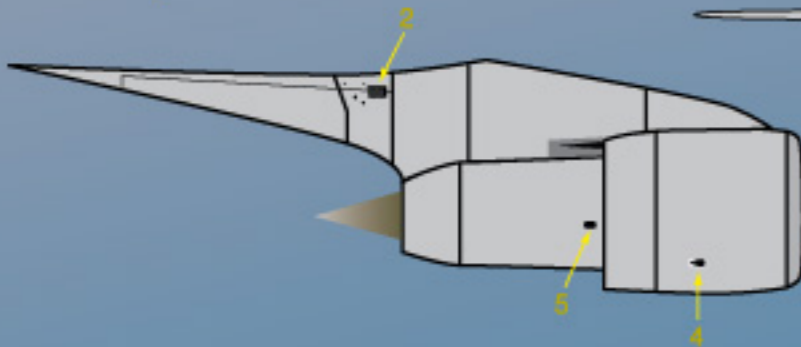
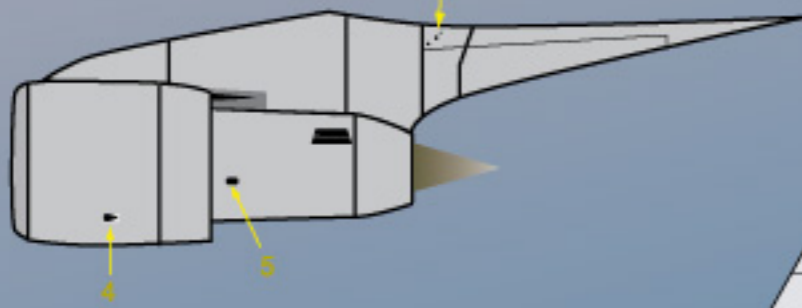
United Airlines started flying the Boeing 747 in June of 1970, and today still continues to fly it in several versions. This scheme represents the final scheme of what has come to be known as the "Stars and Bars" scheme. Several versions of this scheme were flown at one time or another. A slight alteration consisted of black titles and registration numbers instead of blue. This can be done by simply placing the black titles and reg #s in place of the blue. Registration numbers for this scheme ran from N4703U-N4735U. Place decals as shown in the drawings above and below. Paint other areas as shown. Look for other decals of the the "Stars and Bars" scheme to be released soon.



Place black outlines on gray windows.



Top View



Corrogard on top of wings only

State Decalgers Distribute As Shown

- Corrogard
- Gloss White
- Bare Metal
- Boeing 707 Gray

