

# F-16C

## Viper Demo Team 2024



### F-16C Viper Demo Team 2024

The F-16A, a single-seat model, began its development in 1974, with the first prototype taking flight in December 1976. The initial operational unit was delivered in January 1979 to the 388th Tactical Fighter Wing at Hill Air Force Base, Utah. To showcase the F-16's maneuverability at airshows across the country, the United States Air Force established a Demonstration Team.

The Air Combat Command's F-16 Viper Demonstration Team is part of the 20th Fighter Wing, based at Shaw AFB, South Carolina. The team's Pilot/Commander, Capt. Taylor "FEMA" Hiester, is responsible for representing Air Combat Command, the United States Air Force, the Department of Defense, and the United States of America at over 20 air shows annually worldwide.

Each year, the Viper Demo Team applies special paint or elements to the aircraft used in air demonstrations. In 2024, to commemorate the 50th anniversary of the F-16, the Viper Demo Team unveiled a special paint scheme reminiscent of the F-16 prototype at Edwards AFB in 1974.

### CAUTION

- \*Read carefully and fully understand the instructions before commencing assembly.
- \*Keep out of reach of children. Children must not be allowed to put any parts in their mouths, or pull plastic bag over their heads.
- \*When using adhesives and paints, please make sure not to use them in closed room or near the fire.
- \*When assembling this kit, tools including knives are used. Extra care should be taken to avoid injury.

**WARNING: CONTAIN SMALL PARTS NOT FOR CHILDREN UNDER 14 YEARS OF AGE.**



Drill



Remove



2 Set



Bend



Optional



Decal



Super Glue



Fill Hole



No Cement



Be Careful

### TOOLS RECOMMENDED

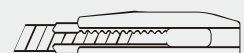
Cement



Side Cutter



Modeling Knife



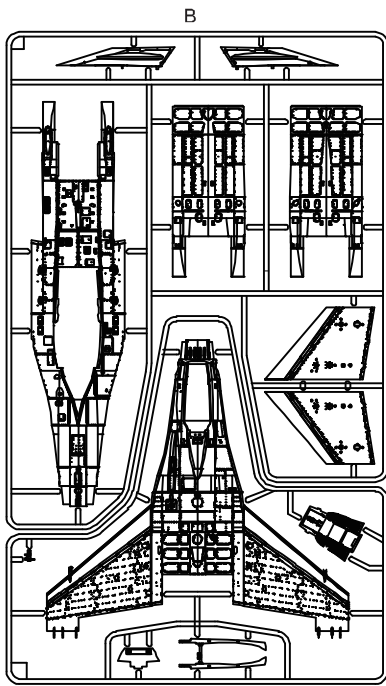
Tweezers



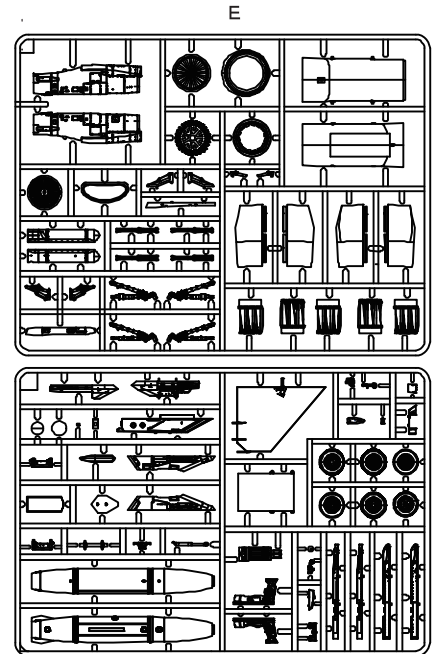
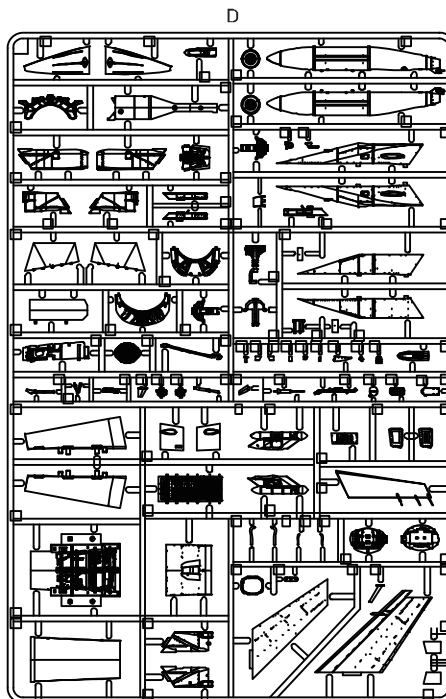
**AFTERMARKET SERVICES CARD**

When requesting replacement parts, please take or send this form to your local dealer so that the parts required can be correctly identified. Please note that specifications and availability are subject to change without notice. Or visit <http://www.kineticmodel.com> for latest information. For more information please contact [services@kineticmodel.com](mailto:services@kineticmodel.com)

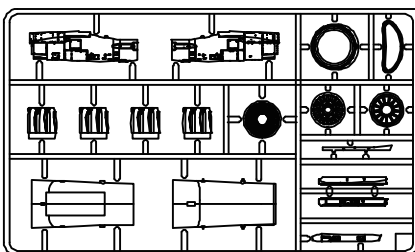
Part Code	K48107	Qty	Item
00-180-002	1/48 F-16 LOWER FUESLAGE	1	B
00-180-003	1/48 F-16A/C UPPER FUESLAGE	1	C
00-180-004	1/48 F-16 MAIN PARTS	1	D
00-180-005	1/48 NSI INTAKE and LANDING GEAR	1	E
00-180-006	1/48 F-16 FUEL TANKS, SEATS	2	F
00-180-007	1/48 F-16 CANOPY	1	G
00-180-009	1/48 F-16 MCID INTAKE AND GE ENGINE	1	J
01-180-48107	1/48 F-16C USAF DEMO	1	DECAL
03-180-48107	1/48 F-16C USAF DEMO	1	MANUAL



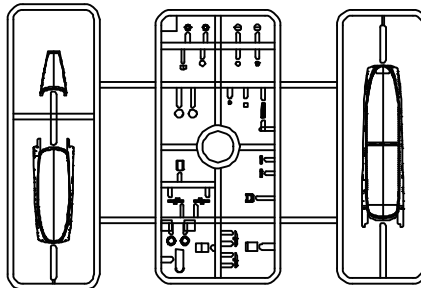
C



Fx2



J



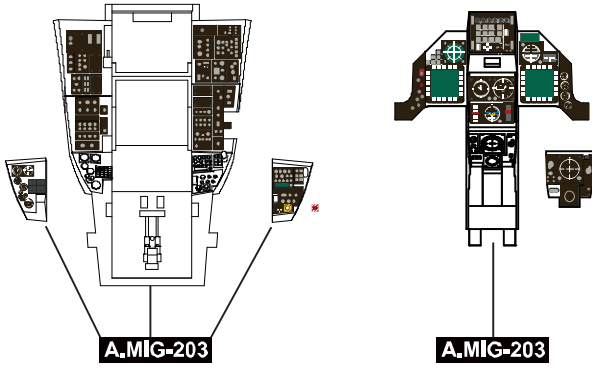
G



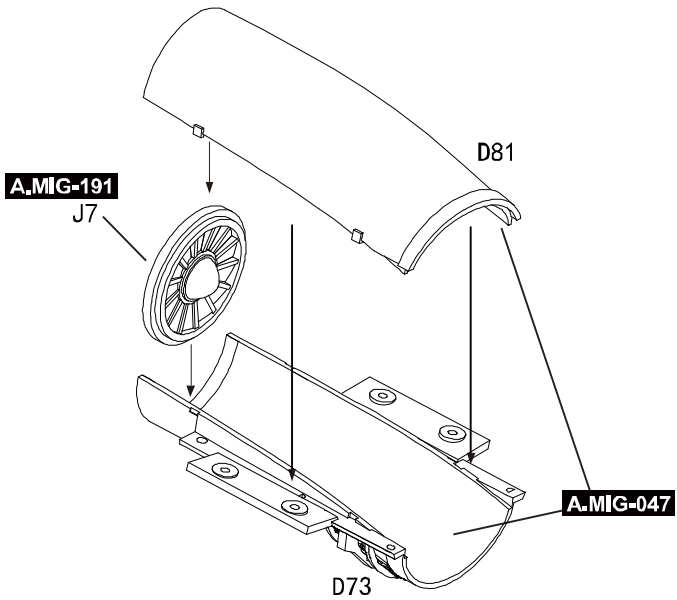
COLOR	AMMO MIG	VALLEJO MODEL COLOR	GSI CREOS MR. COLOR	TAMIYA ENAMEL/ACRYLIC	HUMBROL ENAMEL
RAL 7028 Dunkelgelb AUS '44 DG I	A.MIG-011	70.978	-	-	-
MATT BLACK	A.MIG-046	70.057	33	X-10	53
SATIN WHITE	A.MIG-047	70.842	1	X-2	22
YELLOW	A.MIG-048	71.002	4	XF-3	69
RED	A.MIG-049	70.909	114	XF-7	153
CRYSTAL RED	A.MIG-093	70.934	47	X-27	220
CRYSTAL BLUE	A.MIG-098	70.938	50	X-23	-
MARINE BLUE	A.MIG-123	70.930	65	XF-8	14
STEEL	A.MIG-191	70.864	28	-	27003
SILVER	A.MIG-195	71.063	8	X-11	11
GHOST GRAY FS36375	A.MIG-203	70.990	308	-	-
FS36270	A.MIG-211	71.275	306	-	126
JET EXHAUST	A.MIG-8208	-	-	-	-
FS36231		70.991	317	-	140

For Color Profile, please go to [www.kineticmodel.com](http://www.kineticmodel.com) for download  
(type the kit# and go for manual/painting guide)

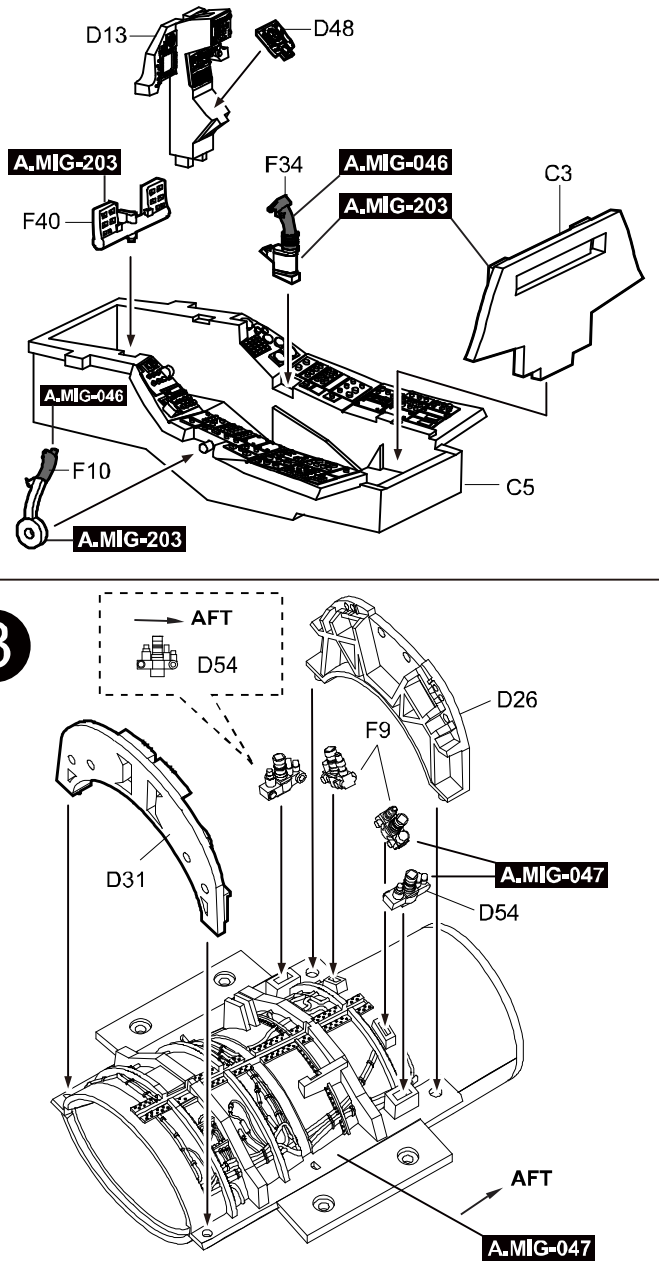
1



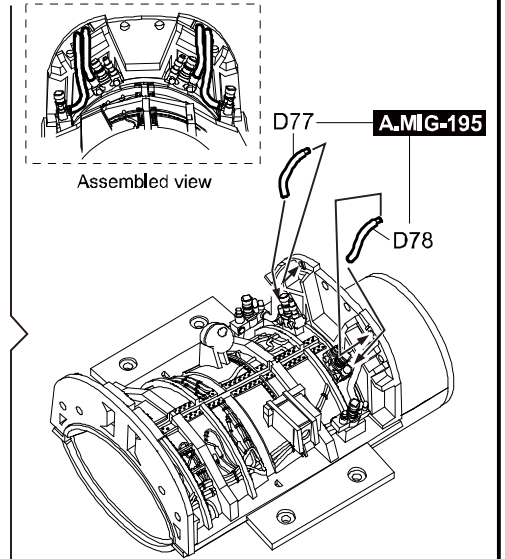
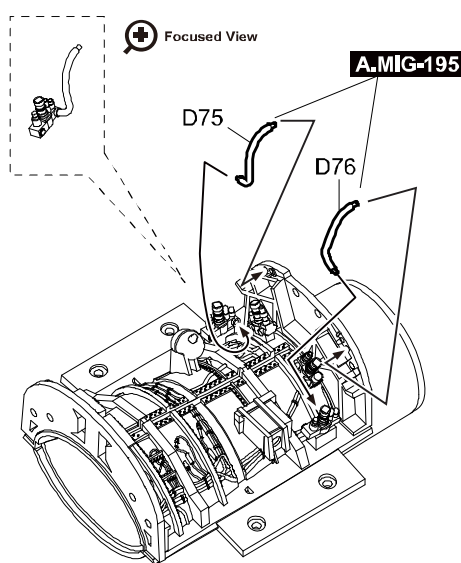
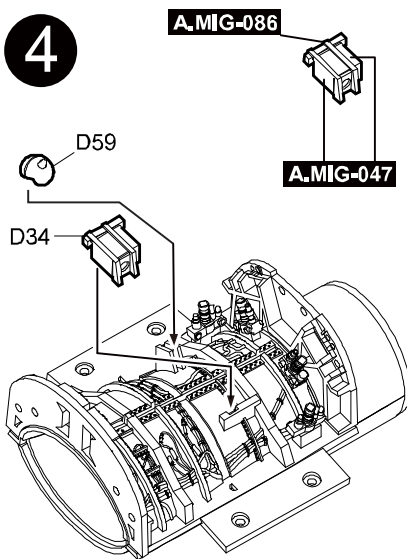
2



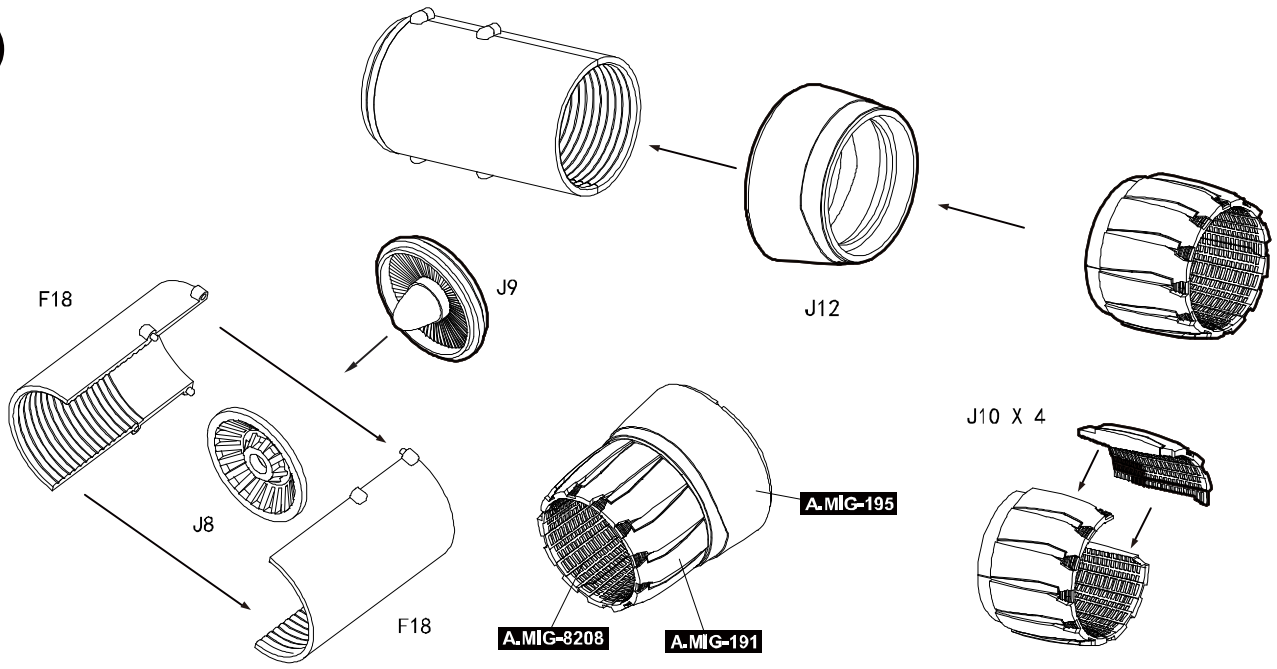
3



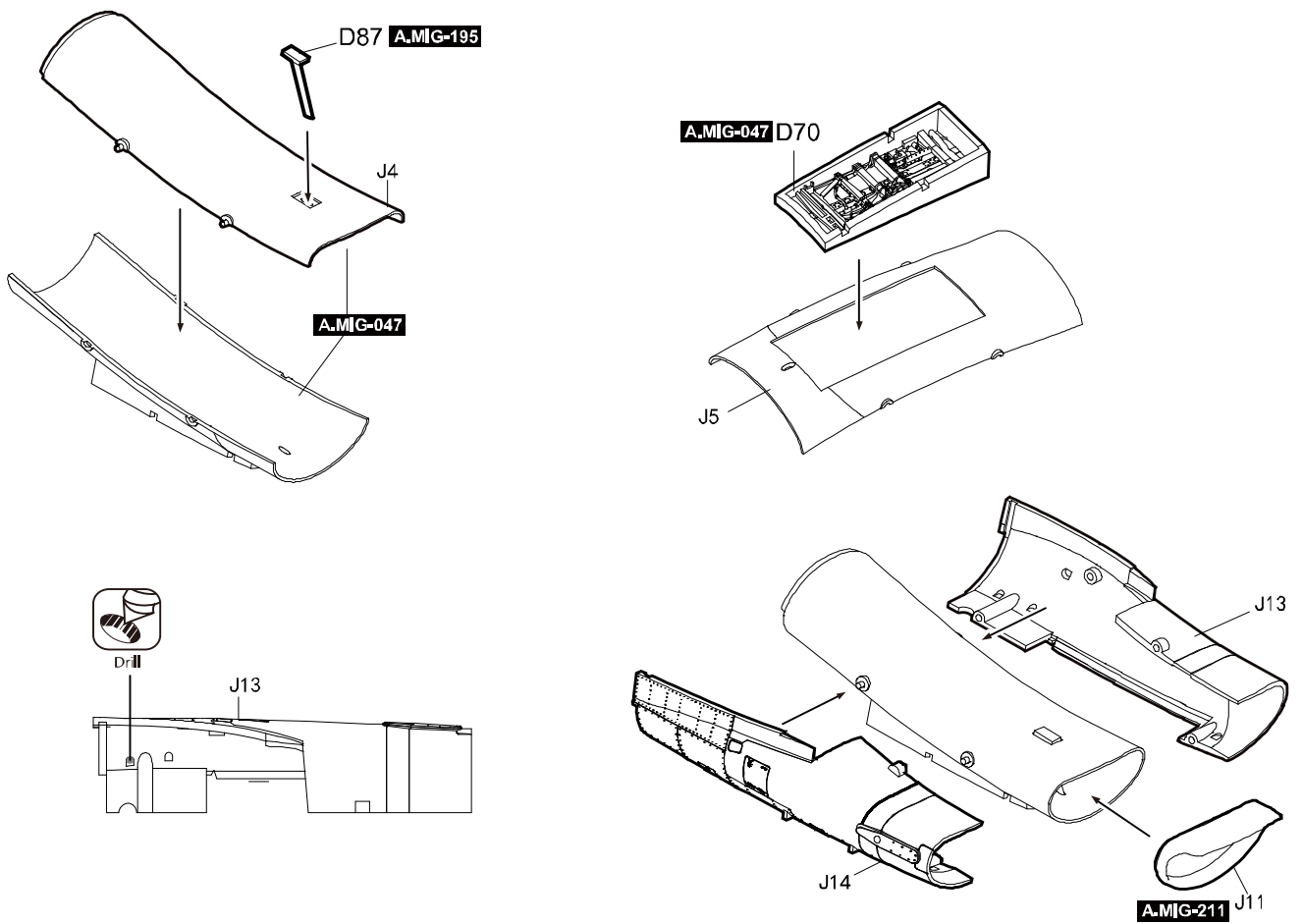
4



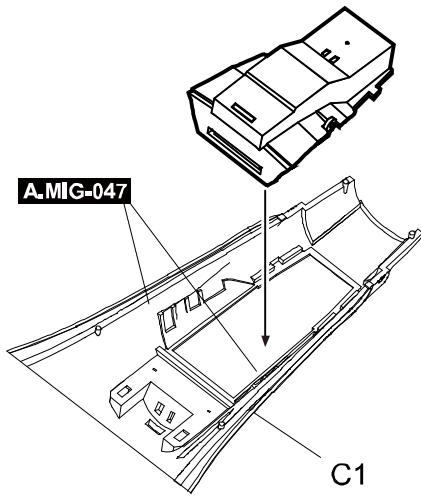
5



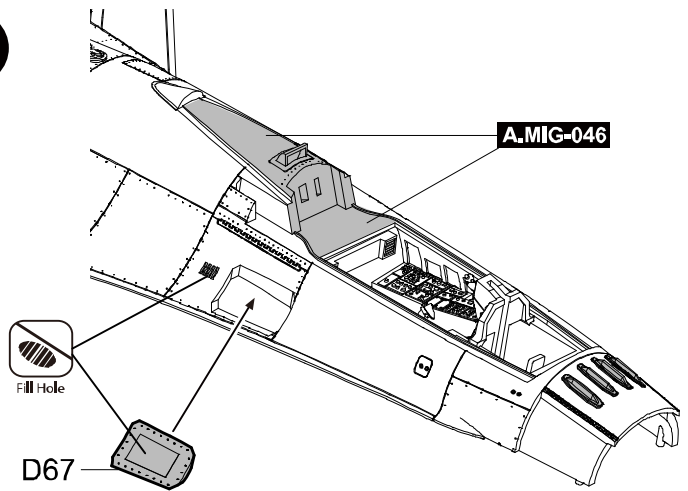
6



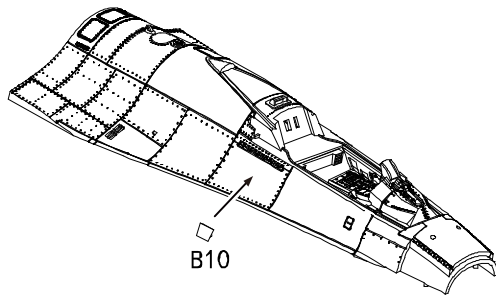
7



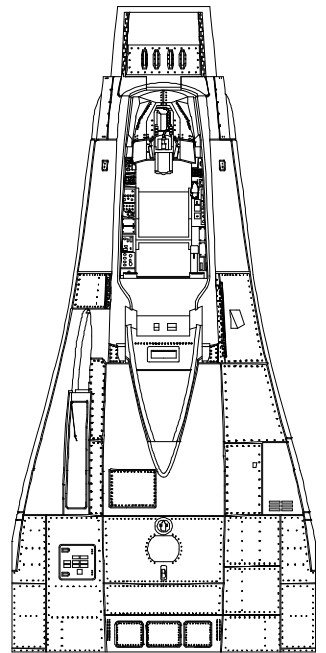
8



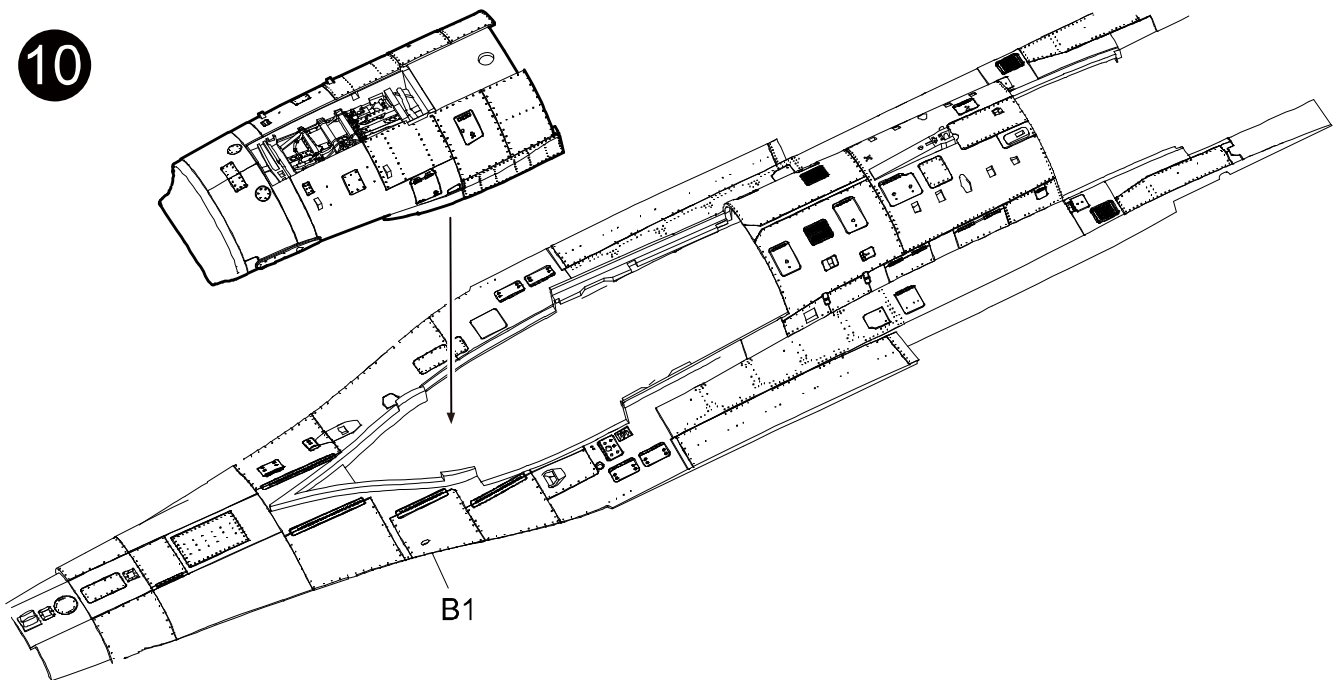
9



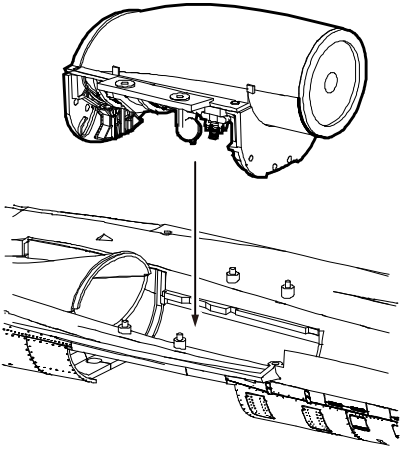
+ Focused View



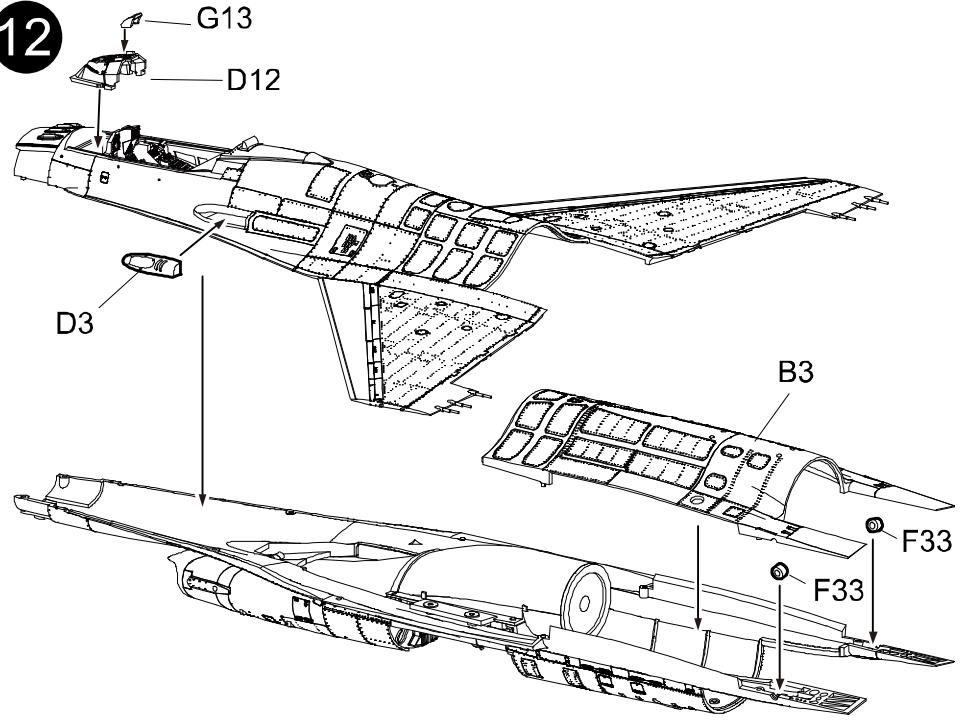
10



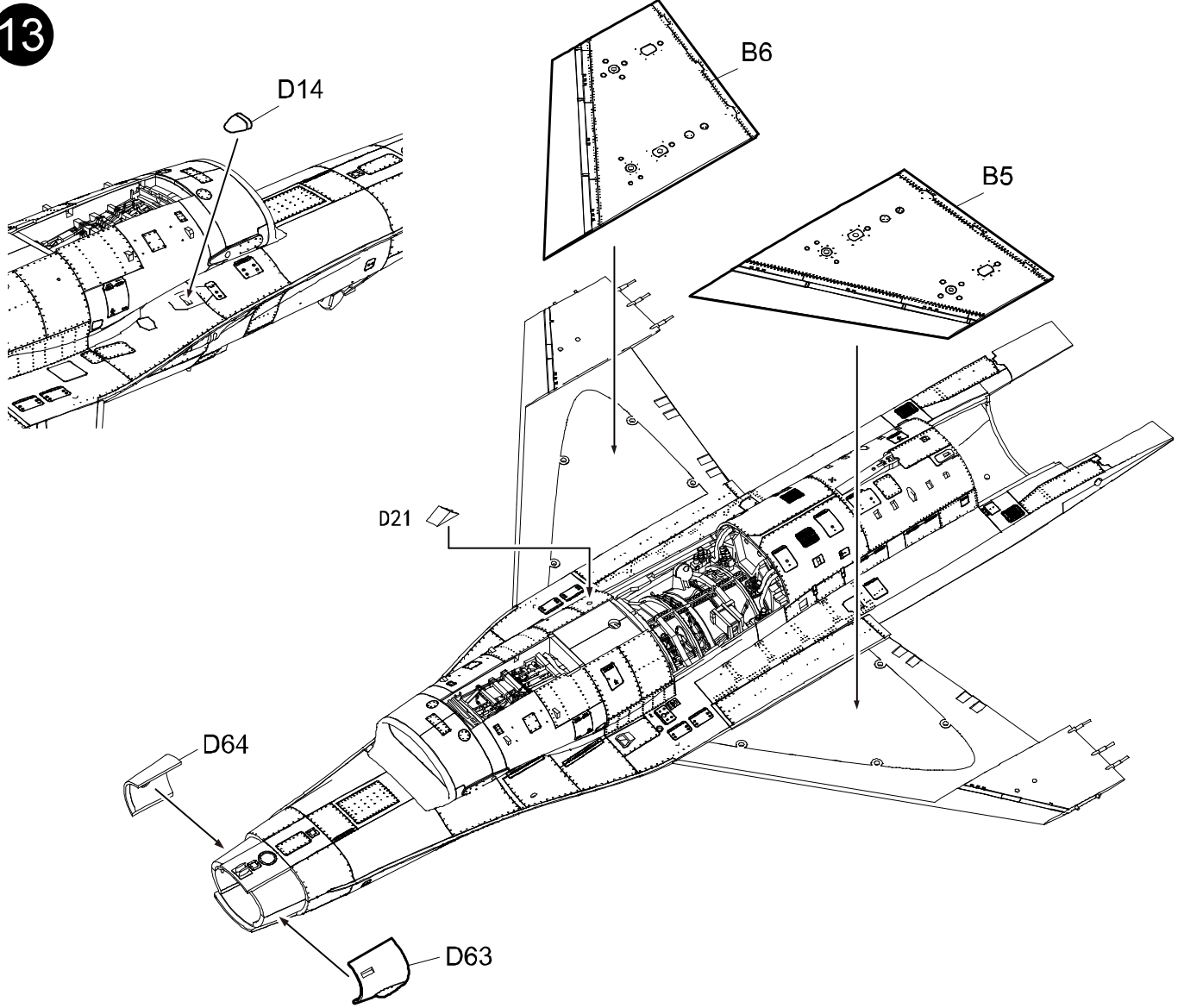
11



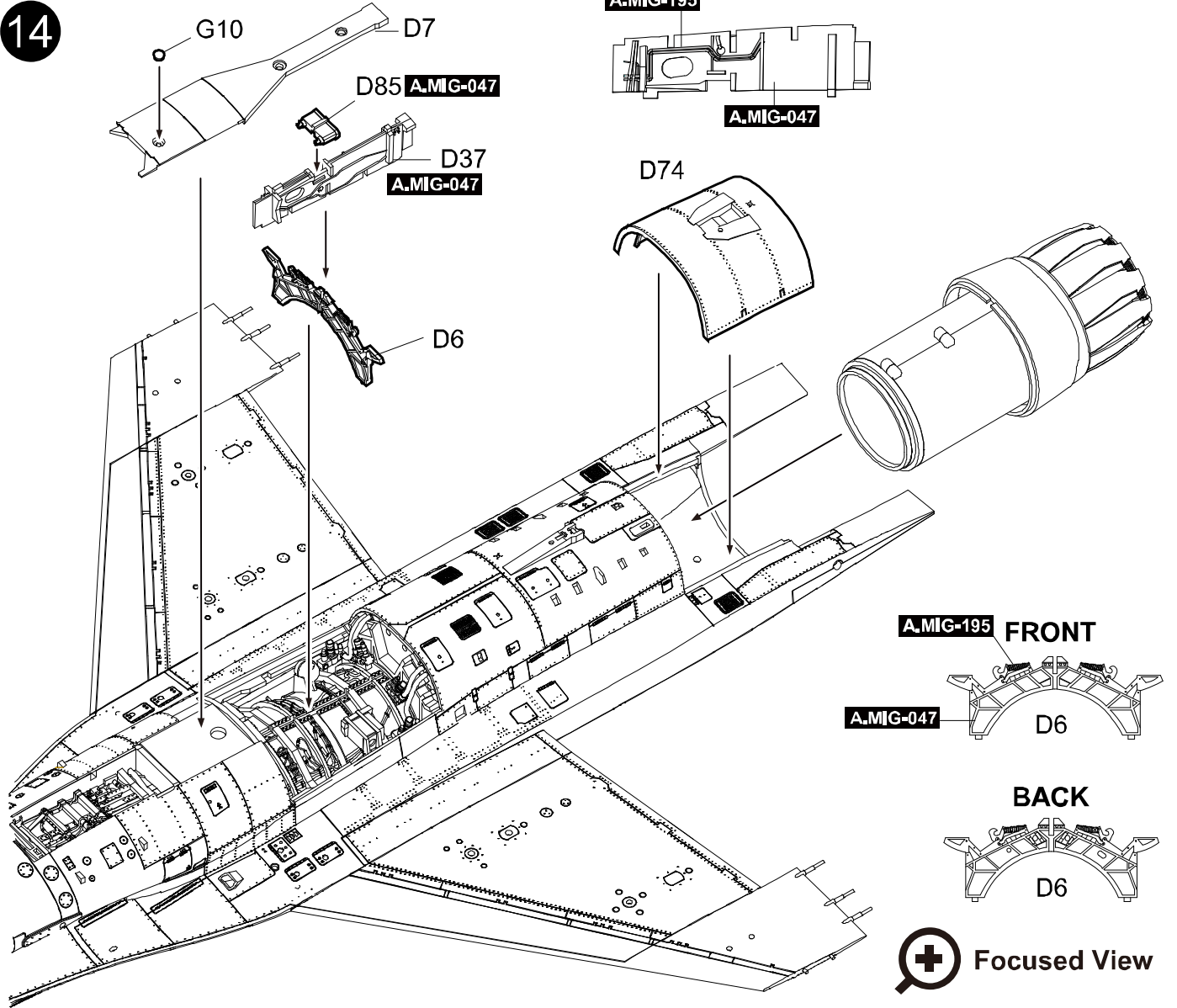
12



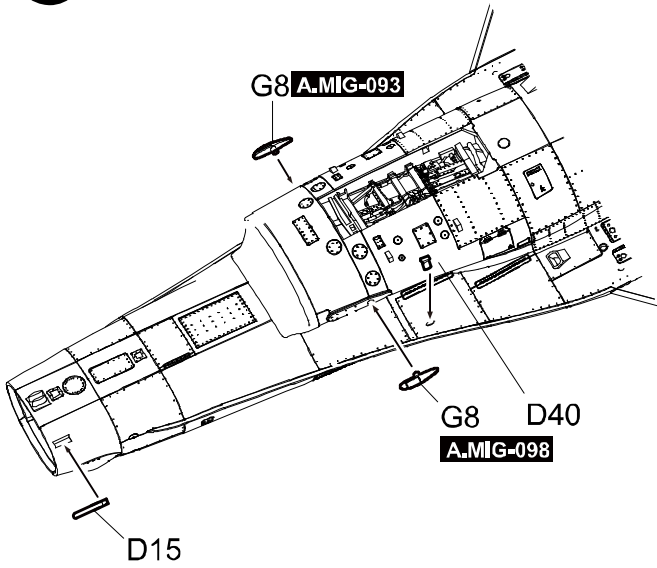
13



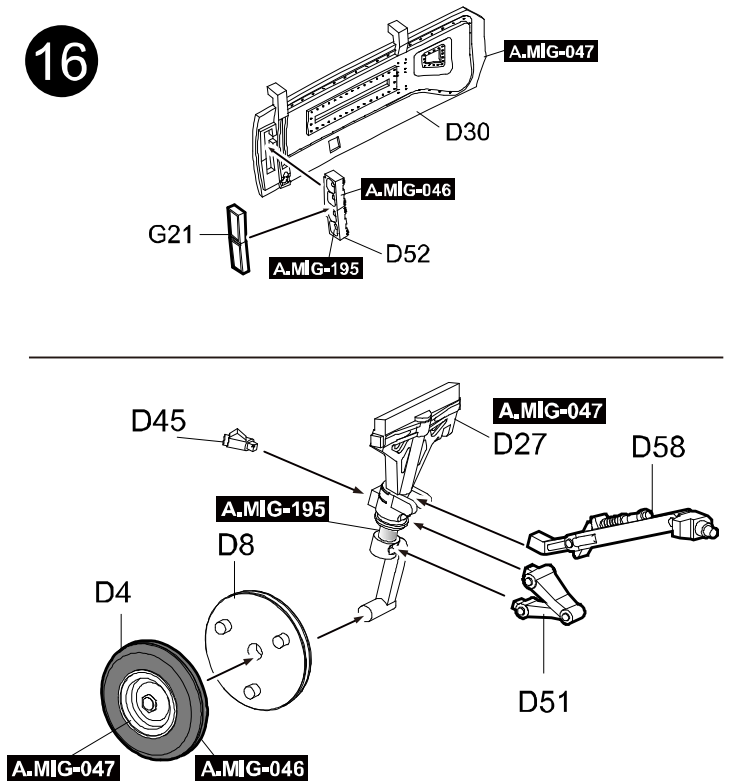
14



15

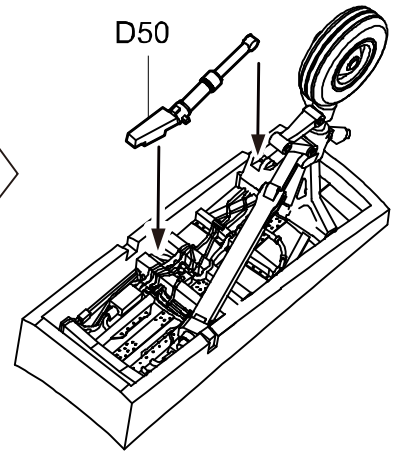
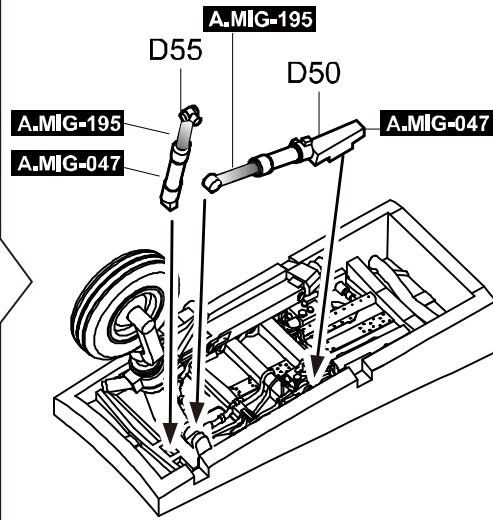
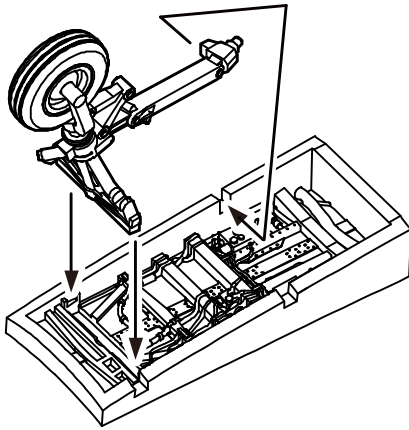


16

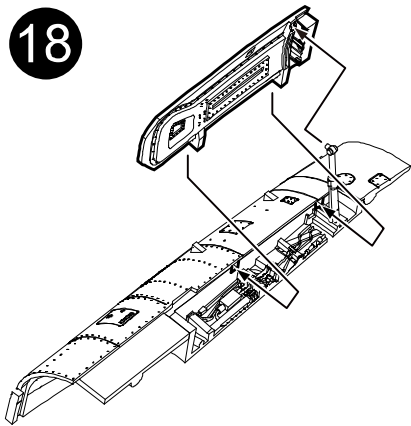




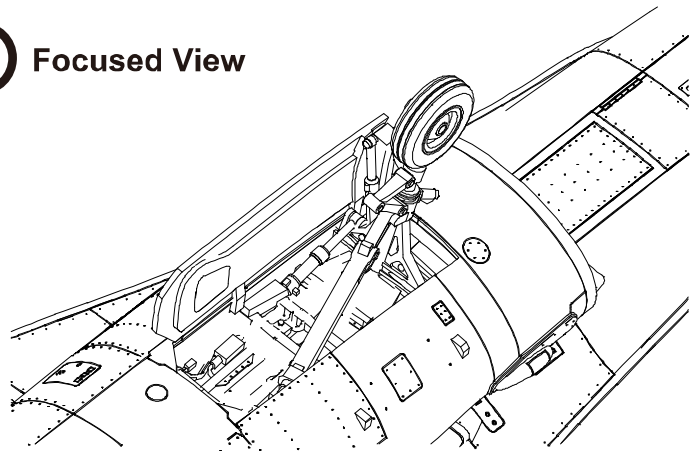
17



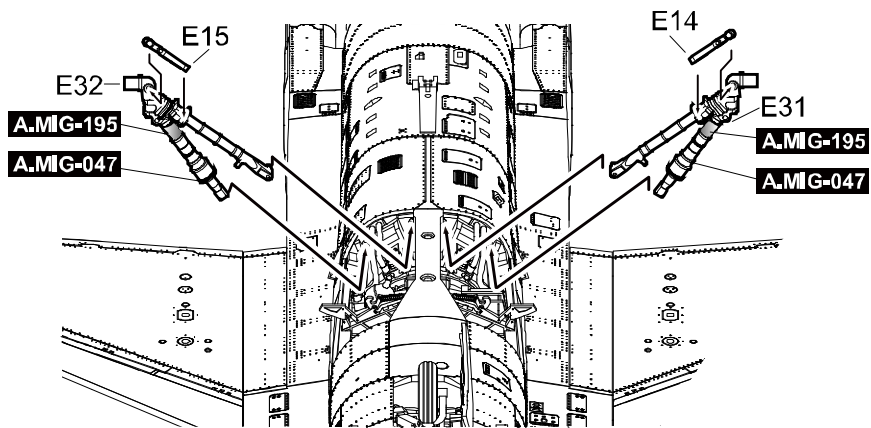
18



⊕ Focused View



19



20

AFT

E19(E18)

E19(E18)

A.MIG-047

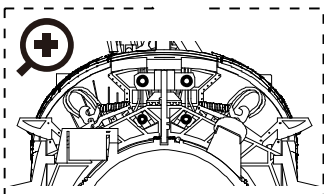
A.MIG-195

A.MIG-047

F31(F31)

A.MIG-046

A.MIG-047

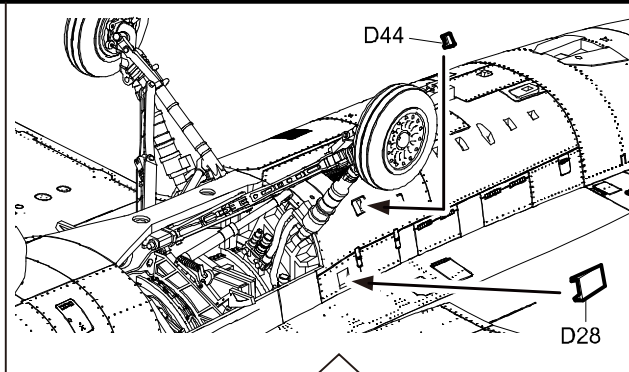


A.MIG-047

F26

F27

x2

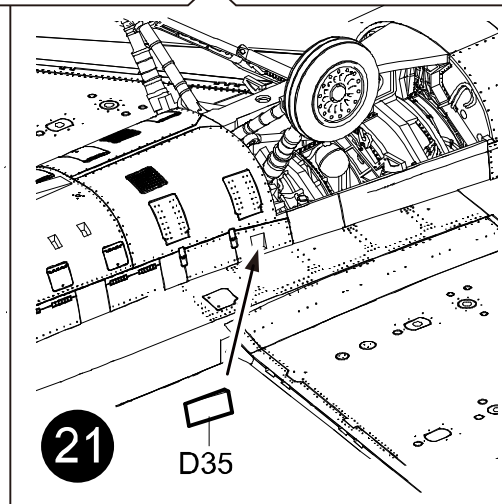


D44

D28

21

D35



22

E11

D21

A.MIG-047

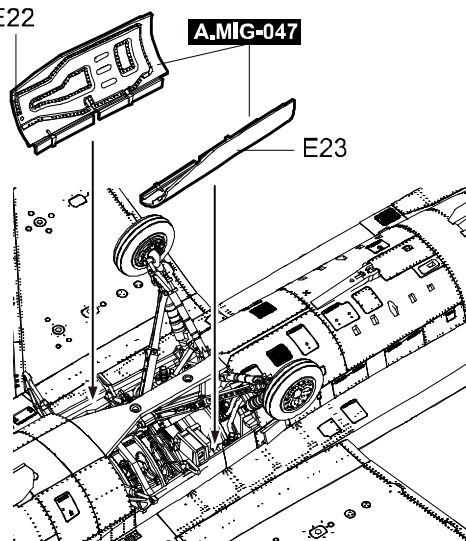
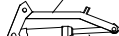
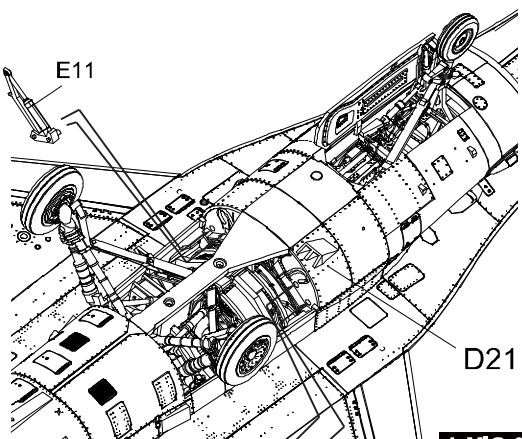
E12

A.MIG-195

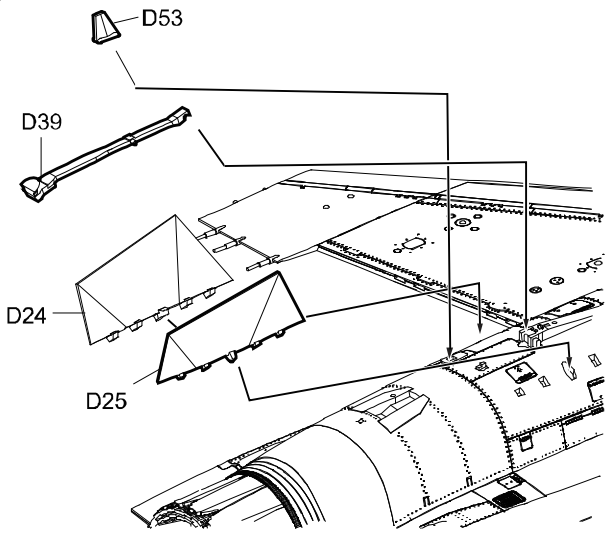
E22

A.MIG-047

E23



23



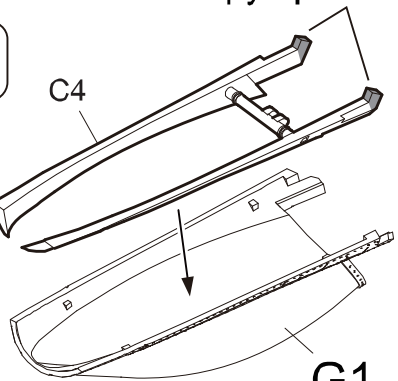
Cut for closed canopy option.



Optional

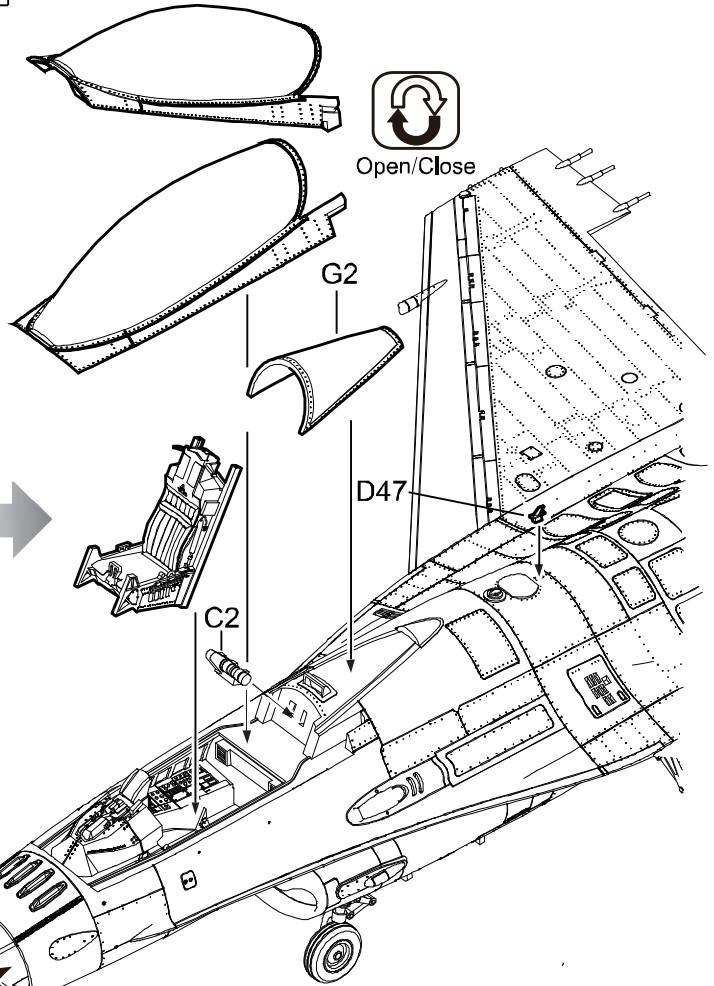
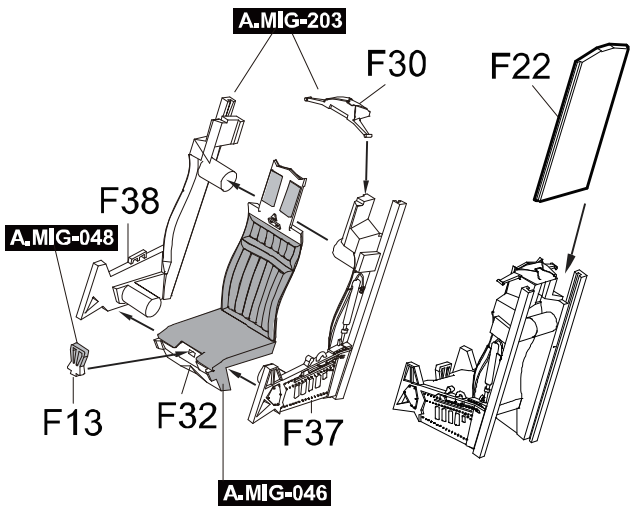
A.MIG-046

C4



G1

24

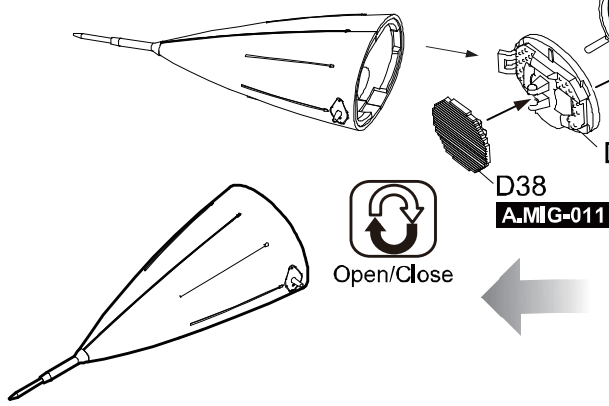


Open/Close

G2

D47

C2



D79 A.MIG-203

D38 A.MIG-011



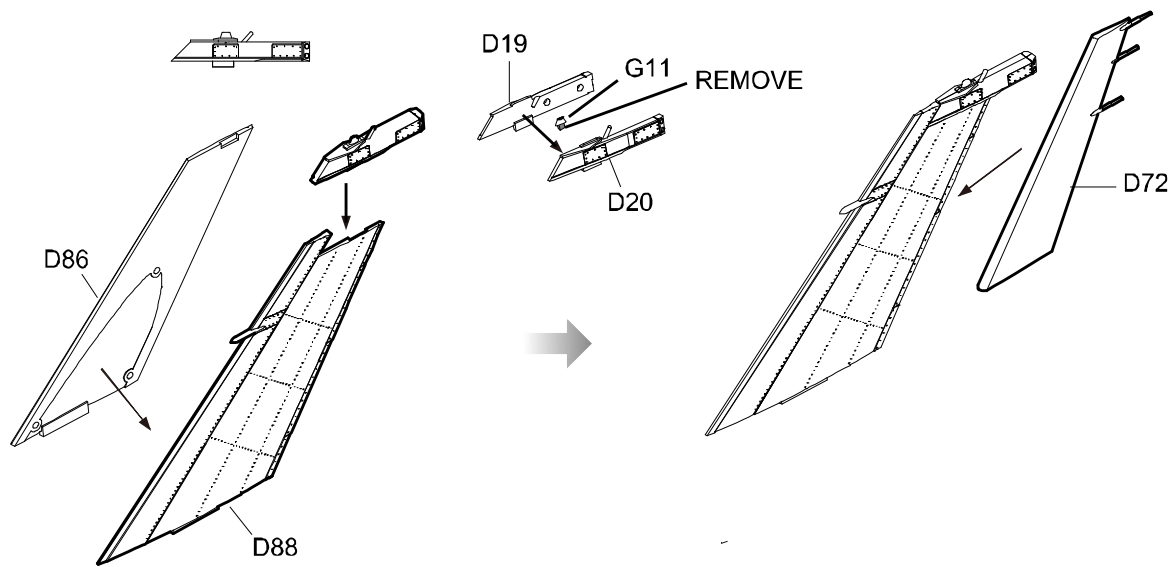
Open/Close

D2

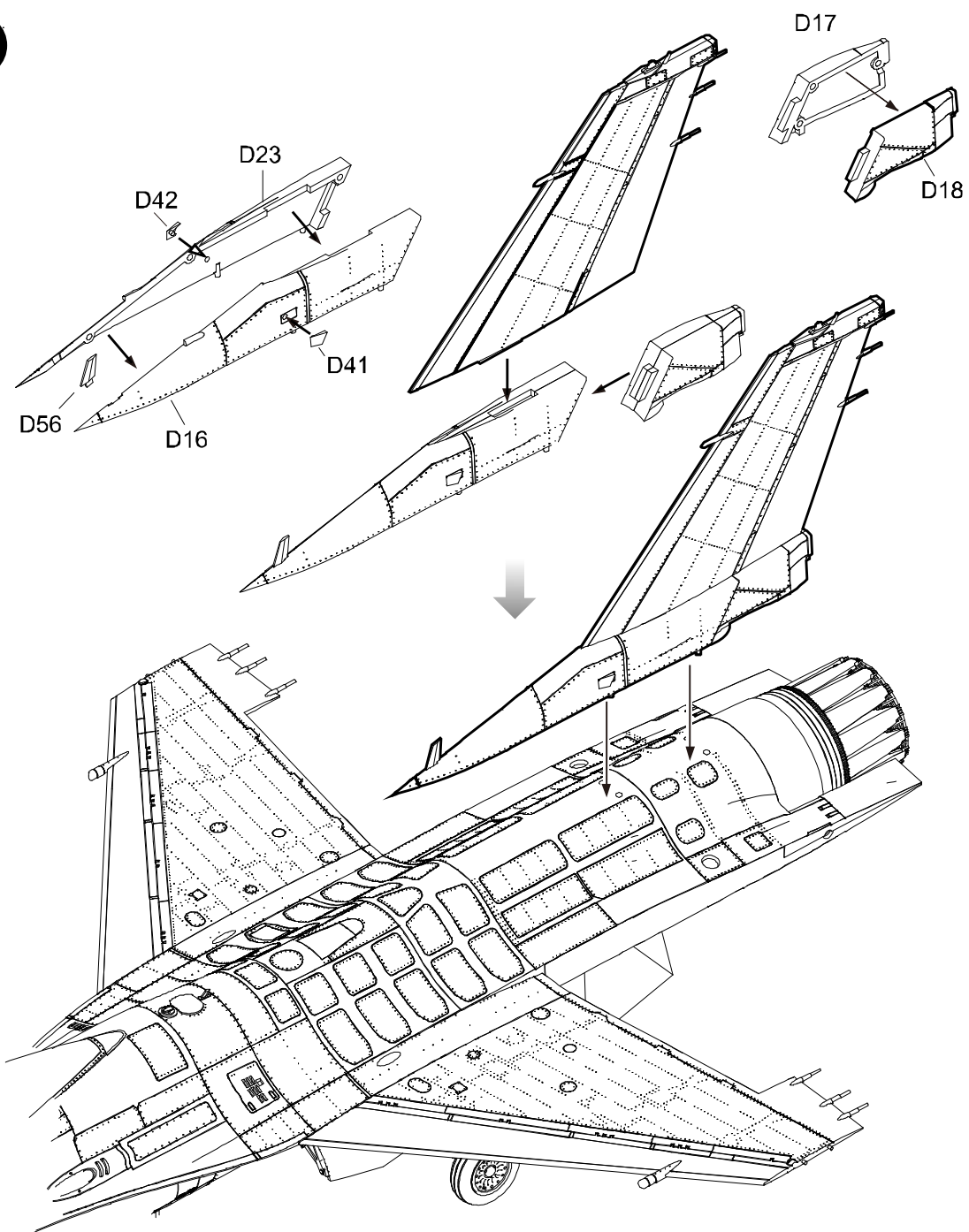
D57 A.MIG-195

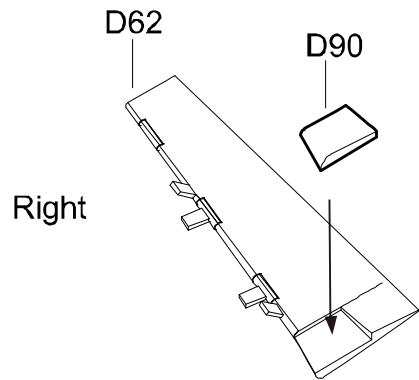
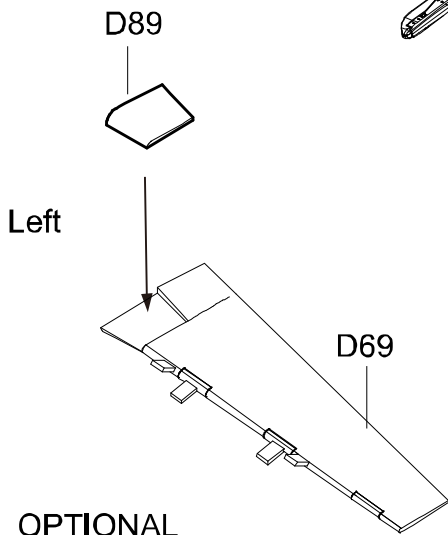
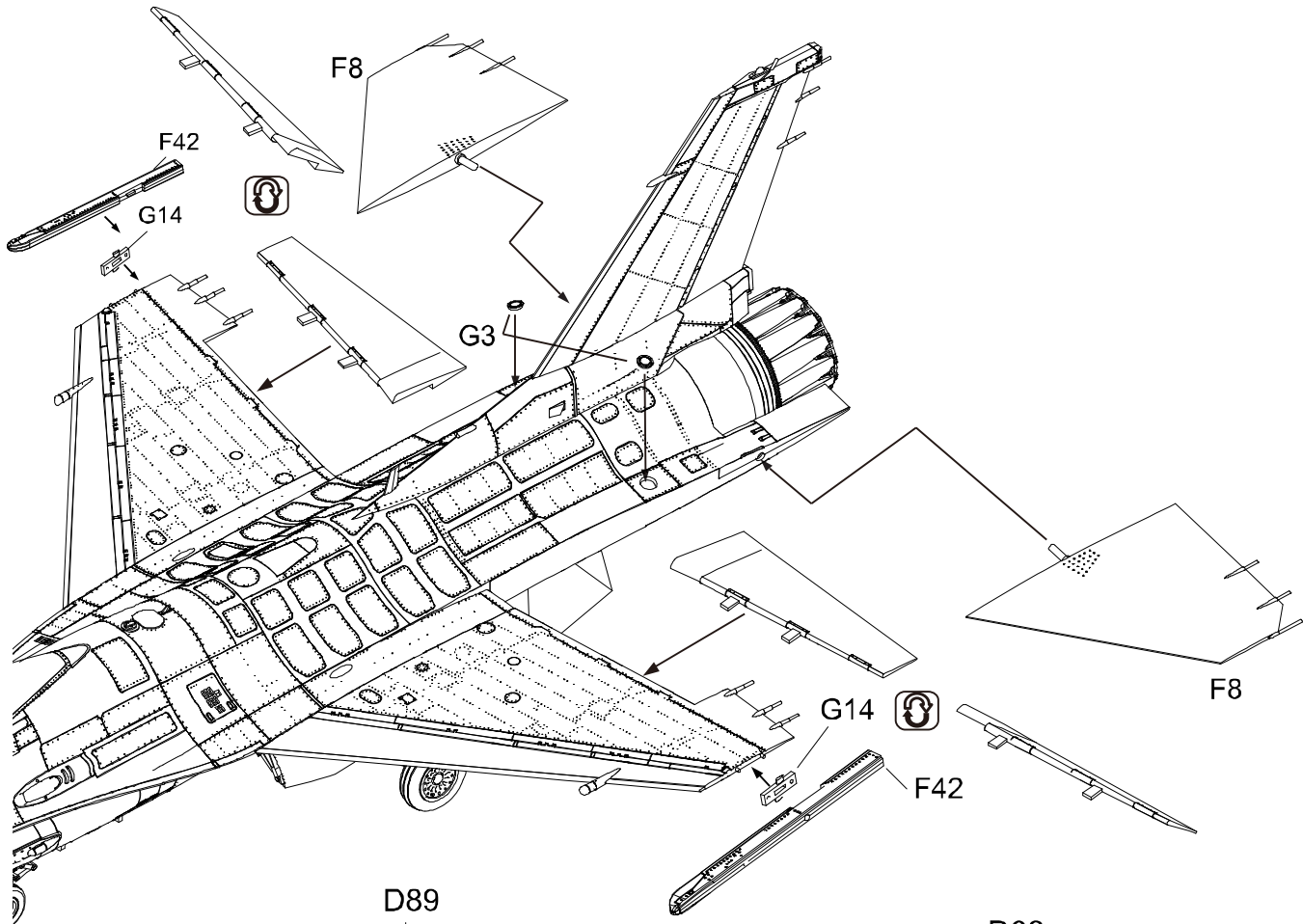
D1

25

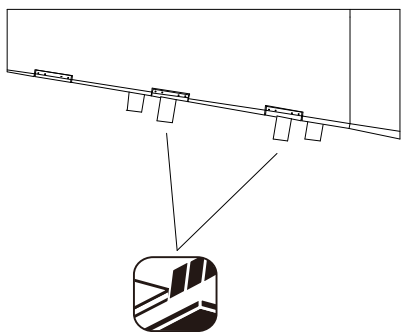


26

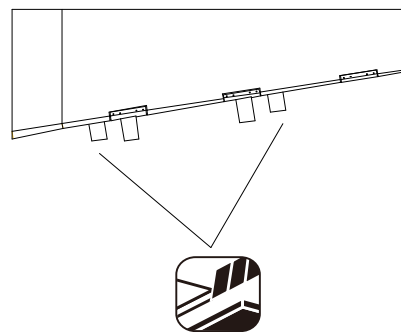




OPTIONAL  
FLAPS DOWN



OPTIONAL  
FLAPS UP



**F-16C OF US AIR FORCE VIPER DEMONSTRATION TEAM,  
CELEBRATING 50TH ANNIVERSARY OF THE FIRST FLIGHT OF THE YF-16.  
412TH TEST WING, EDWARDS AIR FORCE BASE, 2024.**

