

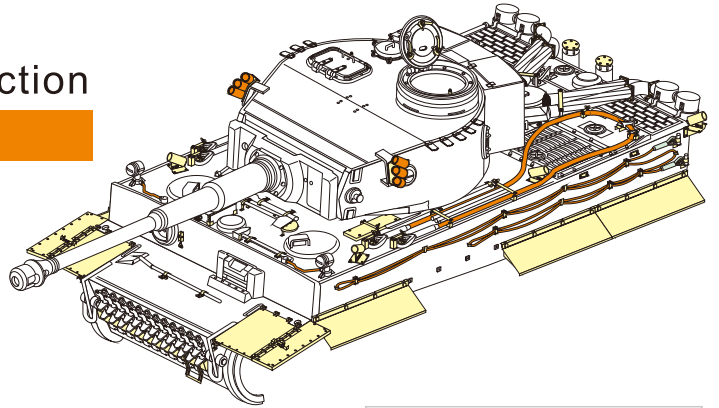
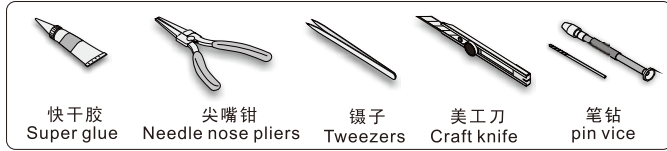
1/35 MILITARY MINIATURE VEHICLE UPGRADE SERIES PE351181

# WWII German Tiger I Early Production

## 二战德军虎I型坦克早期型改造件

[For BOrder BT-010]

■ 推荐使用工具 RECOMMENDED TOOLS



安装 install	折叠 bend	<b>A1</b> 改造件零件编号 PE/resin part number	<b>B12</b> 原零件编号 kit part number	<b>C22</b> 被替换的原零件编号 replaced kit part number	切除 remove
弧度卷曲 radial bending	钻孔 drill	注意 caution	扩孔 ream	<b>x2</b> 制作若干组 multiple assembly	填补 fill
			选择安装 alternative	另一侧相同制作 repeat on opposite side	

用尖端在凹槽处冲压  
use penpoint to press on the dent

蚀刻片零件内侧面向上  
Put the part upside down

用笔尖在凹槽处刮  
Use penpoint to press on the dent

**装填手舱盖**  
Loader's hatch

**自制**  
Scratch build

**G33**

**金属件**  
Metal part

**G27[G28]**

**烟幕弹发射器**  
Smoke candle discharger

**D82**

**a**

**b**

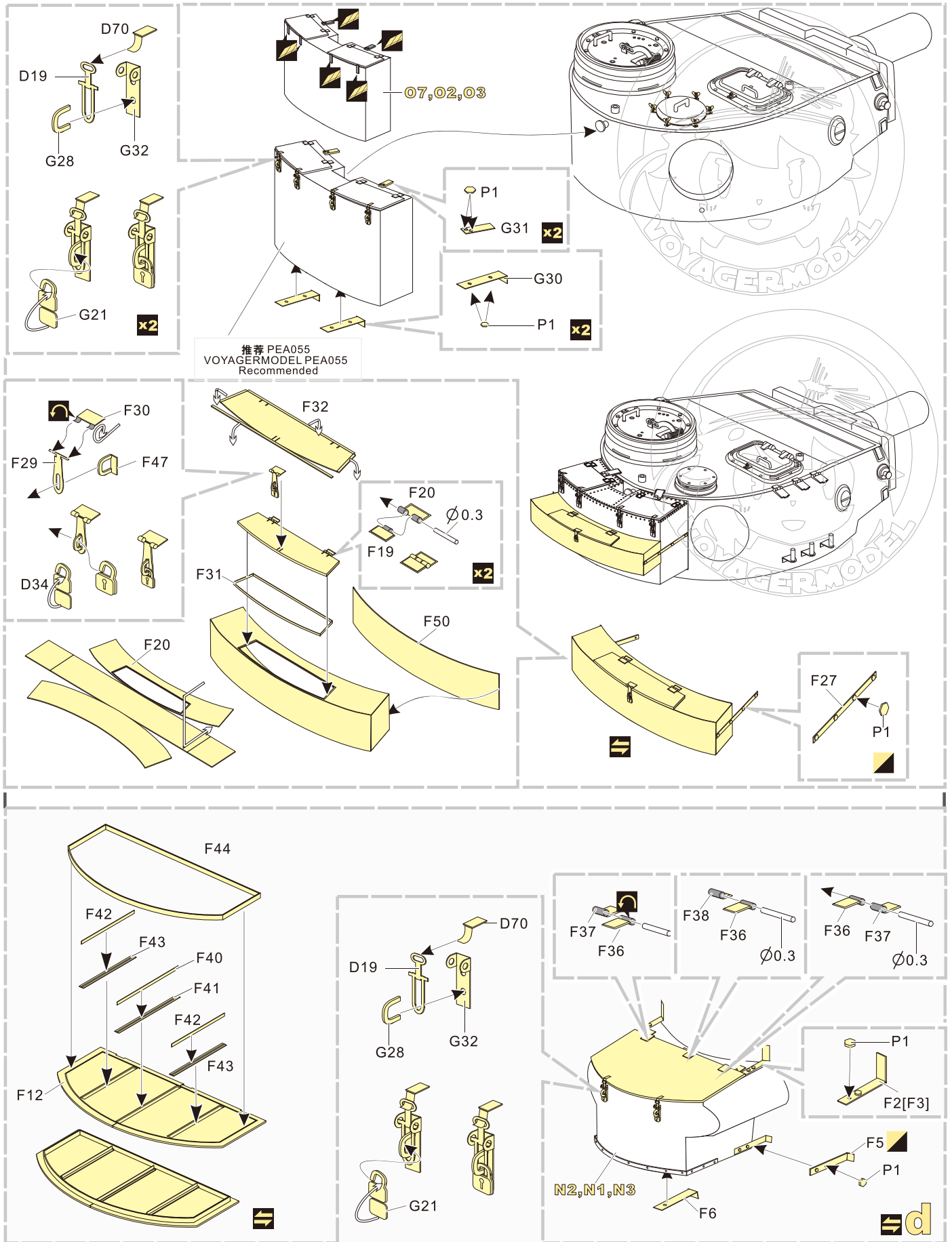
**c**

**A18[A19]**

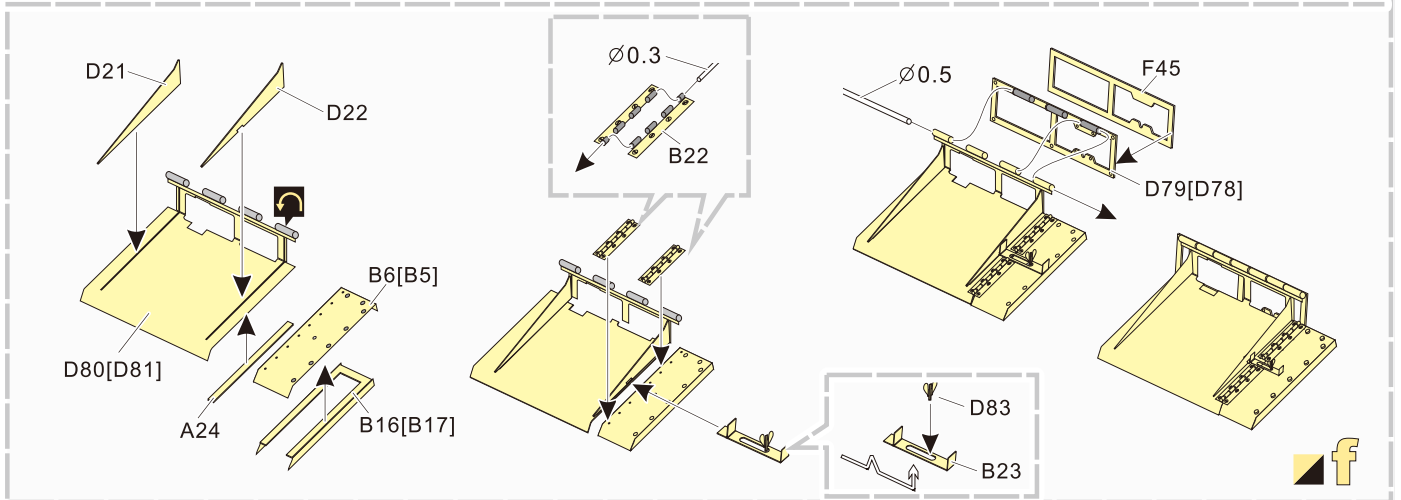
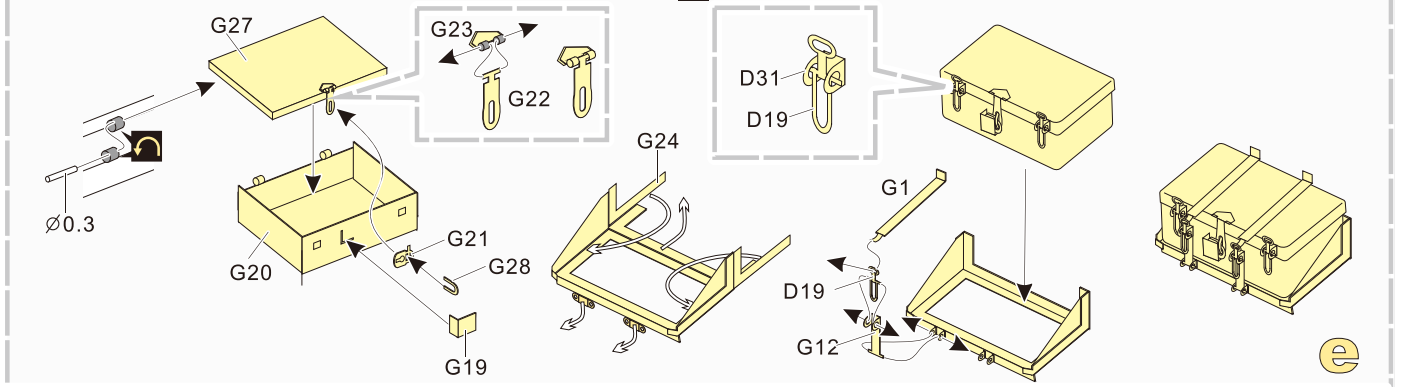
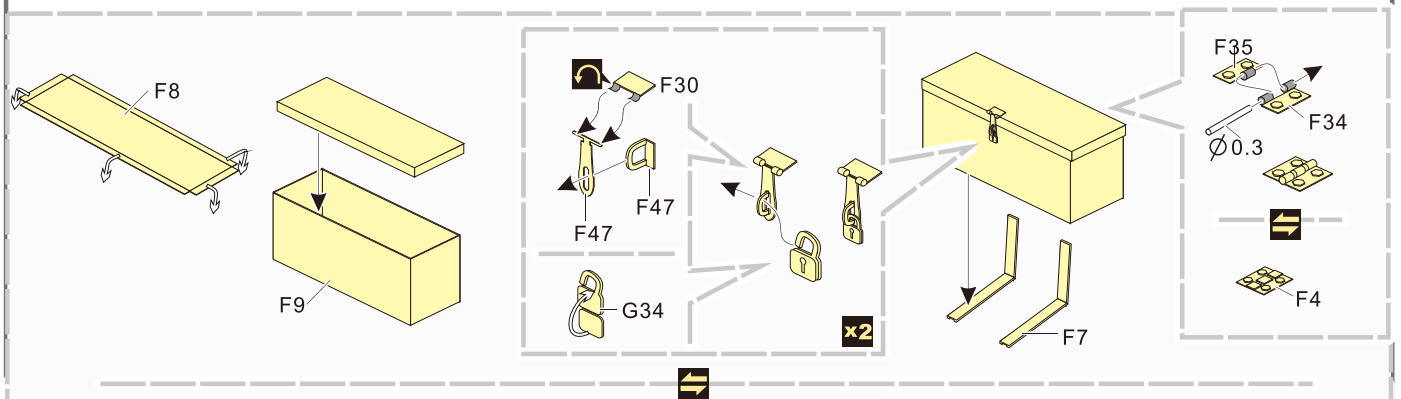
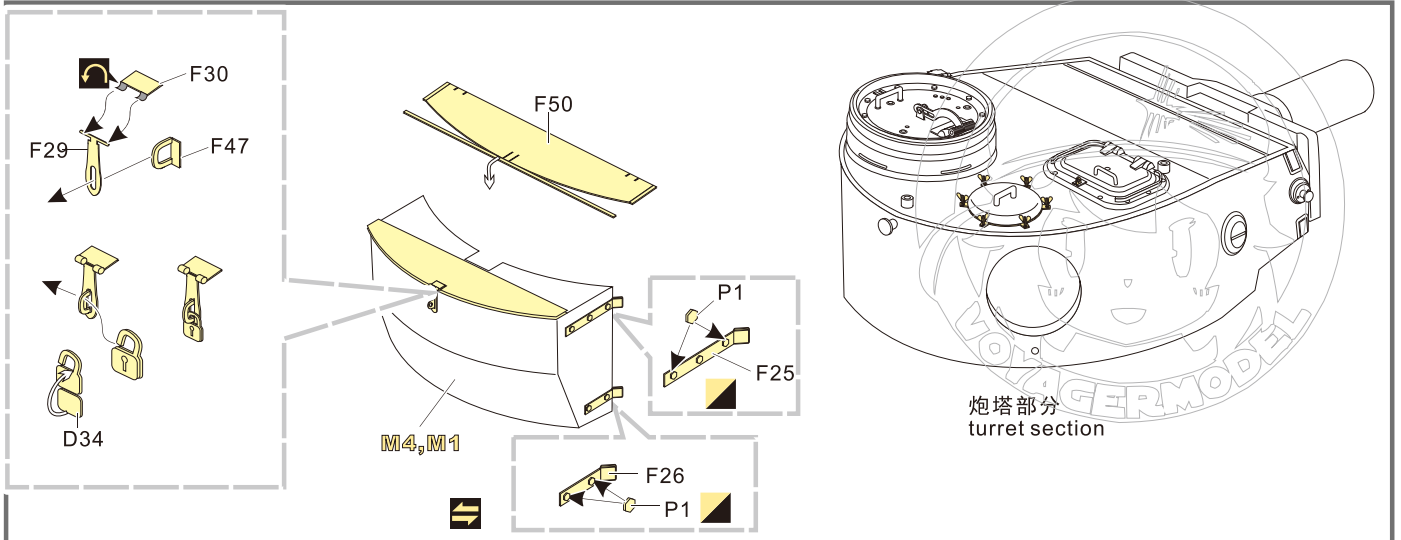
**推荐 VBS0105**  
VOYAGERMODEL VBS0105  
Recommended

**车长指挥塔**  
Commander's cupola

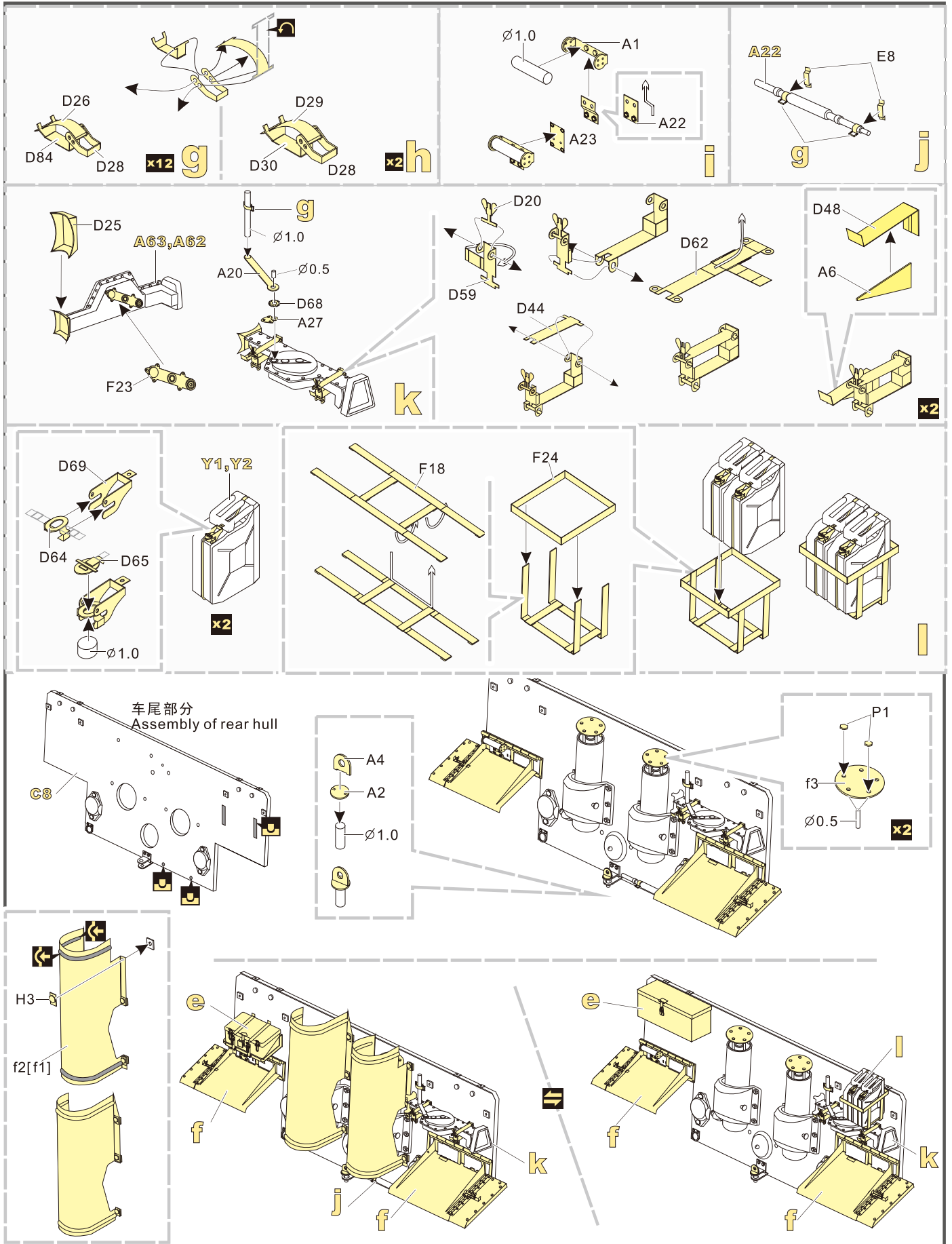
1/35 MILITARY MINIATURE VEHICLE UPGRADE SERIES PE351181



1/35 MILITARY MINIATURE VEHICLE UPGRADE SERIES PE351181

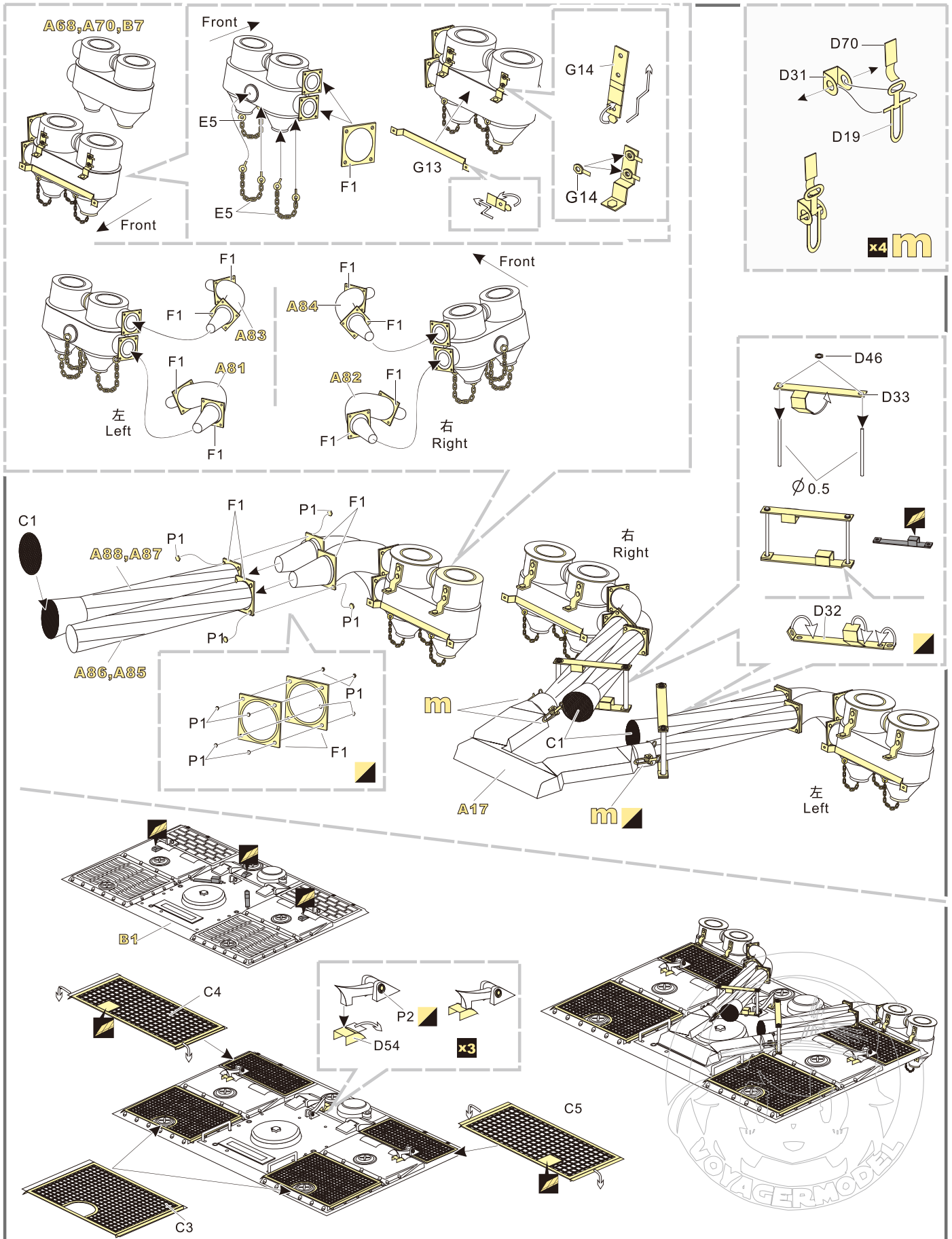


1/35 MILITARY MINIATURE VEHICLE UPGRADE SERIES PE351181





1/35 MILITARY MINIATURE VEHICLE UPGRADE SERIES PE351181



1/35 MILITARY MINIATURE VEHICLE UPGRADE SERIES PE351181

**n**

自制  
Scratch build

D6  
D82  
A44, A35

**o**

D39  
A13  
A12  
E4  
A4  
g  
E8  
D71

**p**

D39  
g  
A14  
E8

**q**

g  
A40  
D27  
E8

**r**

D43  
h  
A12  
g  
E8

**s**

A15  
h  
E8  
D60

**t**

B58, B57  
A36, A37  
D53  
copper wire  
铜丝自制  
D86

D24  
A29  
B57  
A15  
D86

**u**

G7  
D50  
D51  
航向机枪  
Bow machine gun mount

**v**

D16  
D19  
D13  
D16  
D15  
A80  
D35  
D17  
D17  
千斤顶枕木  
Jack rest block

**w**

G35  
G36  
G37  
D15  
A20

**x**

G8  
G11  
G4  
G15  
G11  
B27  
G8  
G33  
G16  
G15  
G10  
G9

**y**

G33  
G16  
G15  
G10  
G9

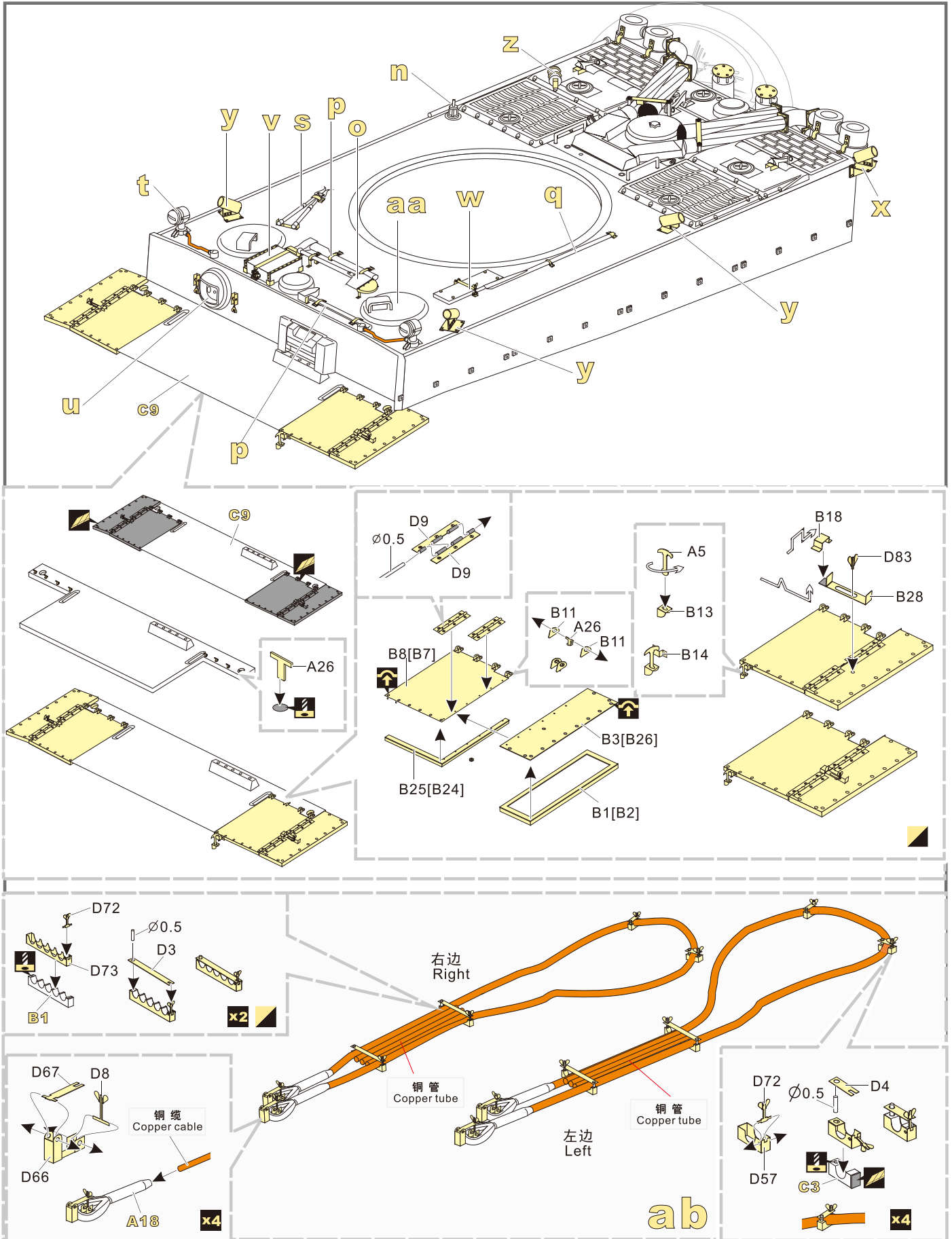
**z**

D36  
D41  
D37  
D5  
自制  
Scratch build

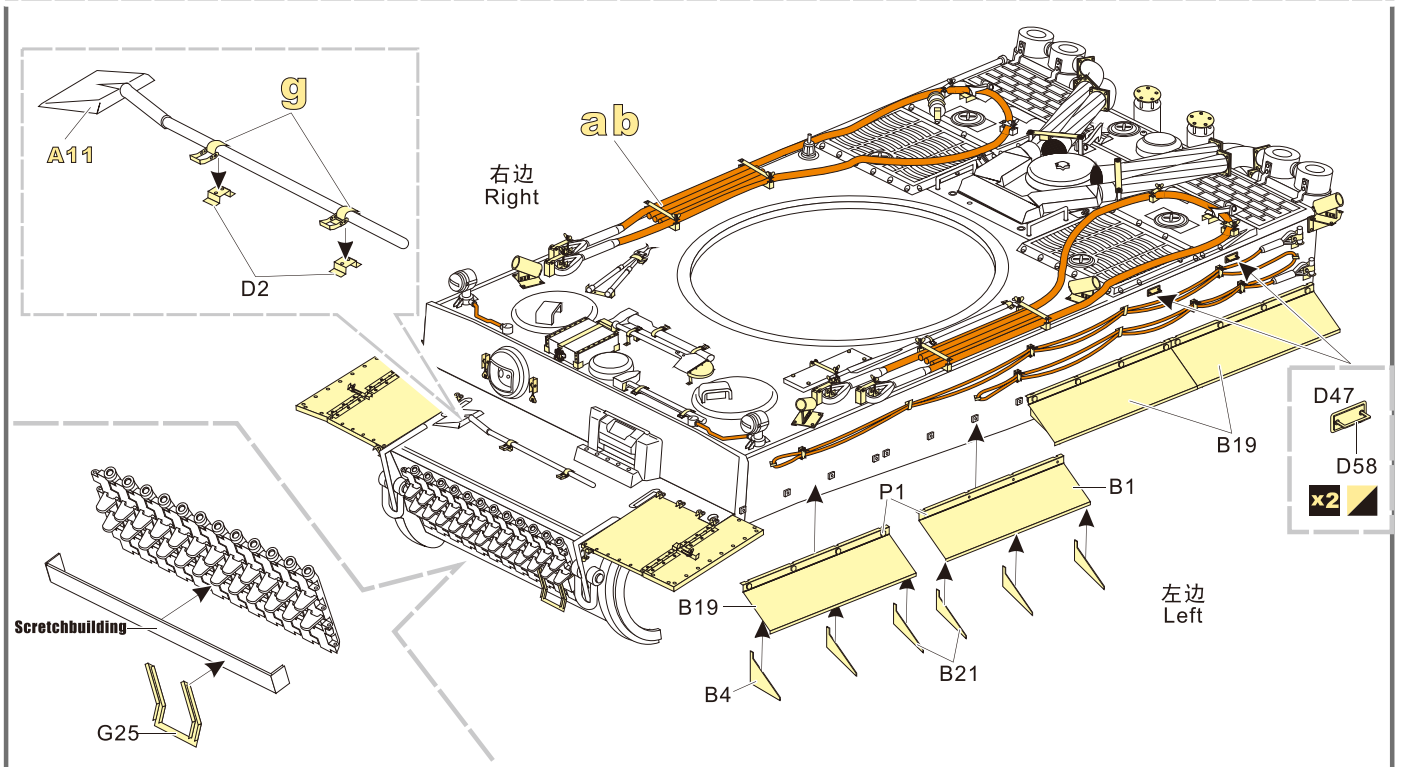
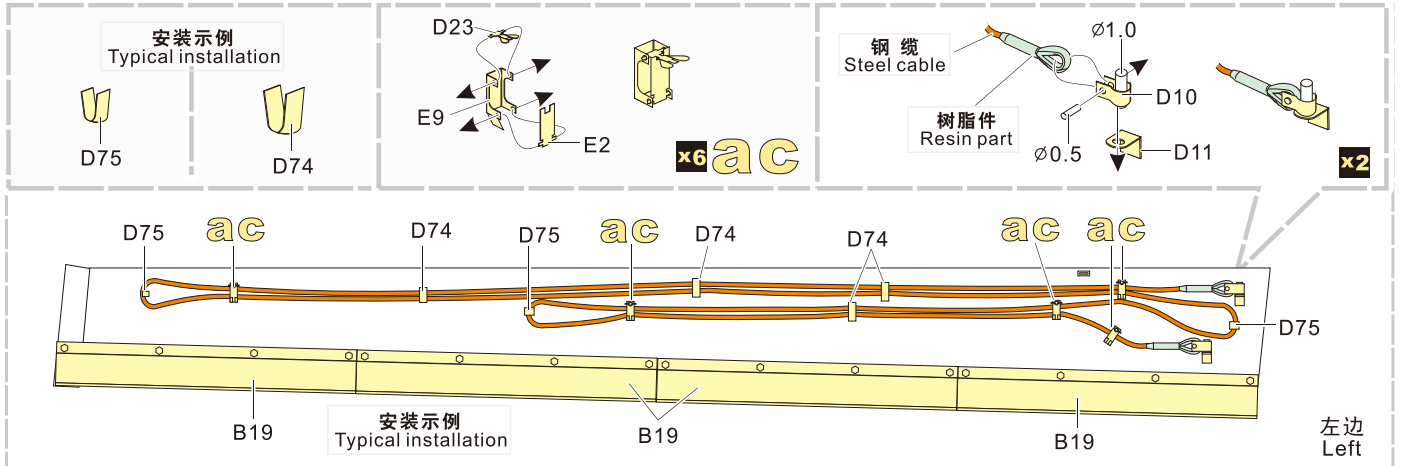
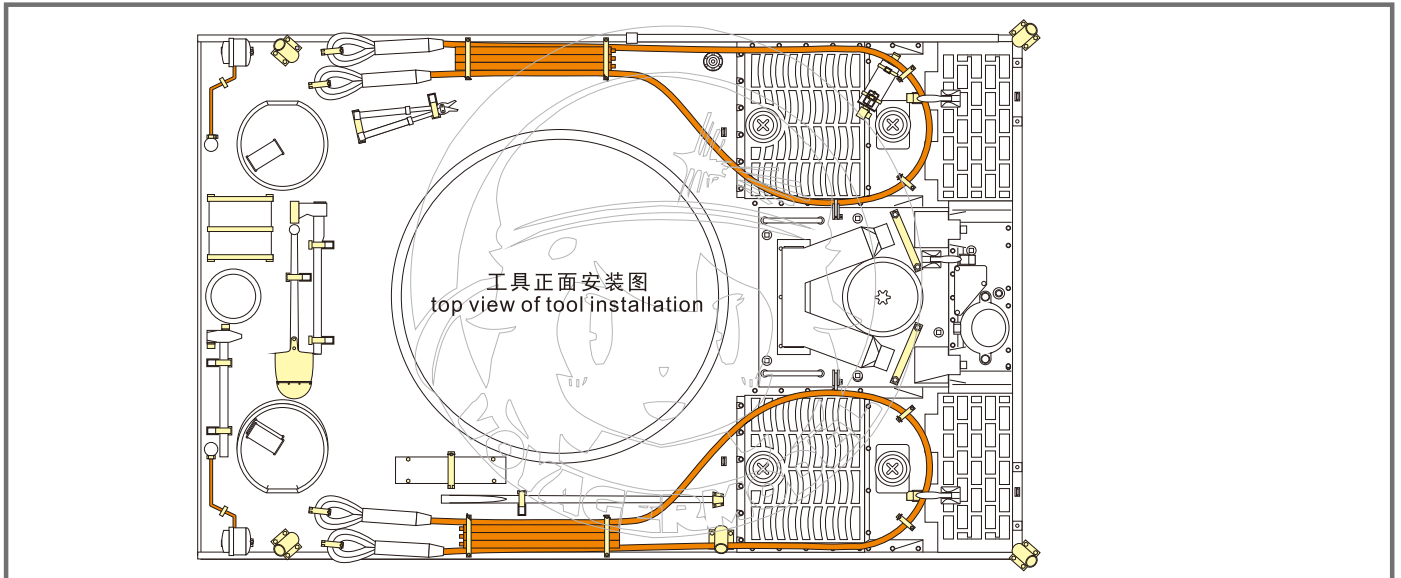
**aa**

A1, A2  
D45 [D40]  
D85  
D85  
D42  
D46  
D55

1/35 MILITARY MINIATURE VEHICLE UPGRADE SERIES PE351181



1/35 MILITARY MINIATURE VEHICLE UPGRADE SERIES PE351181





1/35 MILITARY MINIATURE VEHICLE UPGRADE SERIES PE351181

**推荐 PEA381**  
VOYAGERMODEL PEA 381  
Recommended

**树脂件**  
Resin part

**E1**

**金属件**  
Metal part

**G3**

**推荐 VBS0313**  
VOYAGERMODEL VBS 0313  
Recommended

**推荐 VBS0314**  
VOYAGERMODEL VBS 0314  
Recommended

**⇒ ad**

**⇒ ae**

**SP 503**  
503 营

[Http://www.voyagermodel.com/productdetails.asp?itemid=PE351181](http://www.voyagermodel.com/productdetails.asp?itemid=PE351181)

**VOYAGER  
MODEL**

更多PE351181样品照片参考请扫一扫  
MORE PICTUER OF PE 351181  
REFERENCE SCAN HERE

**A28**

**A10** **A31**

Spare track

**A30** **P1** **A10**

**VOYAGERMODEL** 无微不至 悦享升级

Recommended item	
PE 35793	WWII German Tiger I Early Production INTERIOR [For RFM]
VBS0313	WWII German 88mm L/56 Ammunition (12PCES)
VBS0314	WWII German 88mm L/56 Ammunition cartridge (12PCES)
VBS0105	WWII German Tiger I Barrel (Early Version)
PEA 381	WWII German Tiger I road wheel shafts (16PCES)
PE 35799	WWII German Tiger I Initial Production Afrika korp [For RFM]
PE 35762	WWII German Tiger I Initial Production Afrika korp [For DRAGON]
PE 35178	WWII German STURMTIGER [For TAMIYA]
PE 35179	WWII German Tiger I Late Production [For DRAGON]
PE 35542	WWII German Tiger I Early Production [For DRAGON]
PE 35777	WWII German Tiger I MID Production (early ver.) Basic [For TAMIYA]
PE 35795	WWII German Tiger I Late Production [For TAMIYA]
PE 35771	WWII German Tiger I Early Production Basic [For RFM]
PE 35839	WWII German Tiger I Gruppe "Fehrmann" [For RFM]

微博公众  
Weibo official or code

官方淘宝  
The official taobao

微信公众  
Wechat official or code