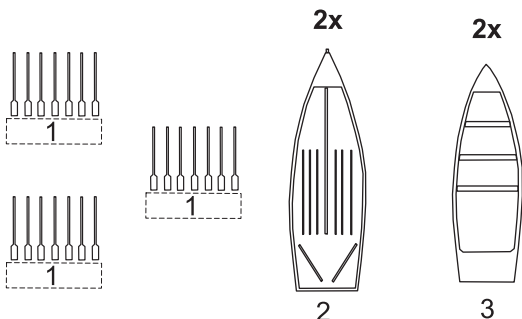


Visit our official website and e-shop at
www.cmkkits.com

NS015
 1/200

Bismarck
 6 m Cutter (2 pcs)
 for Trumpeter kit

Polyurethane parts PUR



© CMK 2013

CMK News ITEM SETS for Bismarck 1/200 kit

- NS012 Bismarck - Primary Armament Blast Bags (8 pcs) for Trumpeter ki
- NS013 Bismarck - Secondary Armament Blast Bags (12 pcs) for Trumpeter kit
- NS014 Bismarck - 8 m Cutter with paddles (2 pcs) for Trumpeter kit
- NS016 Bismarck - Paravane (8 pcs) and Life Rings (10 pcs) for Trumpeter kit
- NS017 Bismarck - Water Hose Drums with Canvas Covers (5 small + 4 big) for Trumpeter kit
- NS018 Bismarck - Arado Ar 196 canopy (4 pcs) & stowed conversion (2 pcs) for Trumpeter kit
- NS019 Bismarck - Primary Armament (Highly detailed turned metal barrels 380 mm (8pcs), blast bags (8 pcs) and Particular rangefinders with opened hatches (6 pcs) for Trumpeter kit
- NS020 Bismarck - Secondary Armament (Highly detailed turned metal barrels 150 mm (12pcs), blast bags (12 pcs) and Particular rangefinders with opened hatches (4 pcs) for Trumpeter kit
- NS021 Bismarck - Particular rangefinders with opened hatches (6 primary + 4 secondary) for Trumpeter kit

Díly ohnuté popř. pokroucené vlivem teplotních změn a stárnutí materiálu, mohou být narovnány do požadovaného tvaru pomocí proudu teplé vody nebo vzduchu (fén na vlasy).

Parts slightly distorted and bended owing to temperature changes or due to material ageing can be straightened to requested shape by hot water or hot air jet. (hair dryer)

This process can be repeated till result is entirely satisfactory.

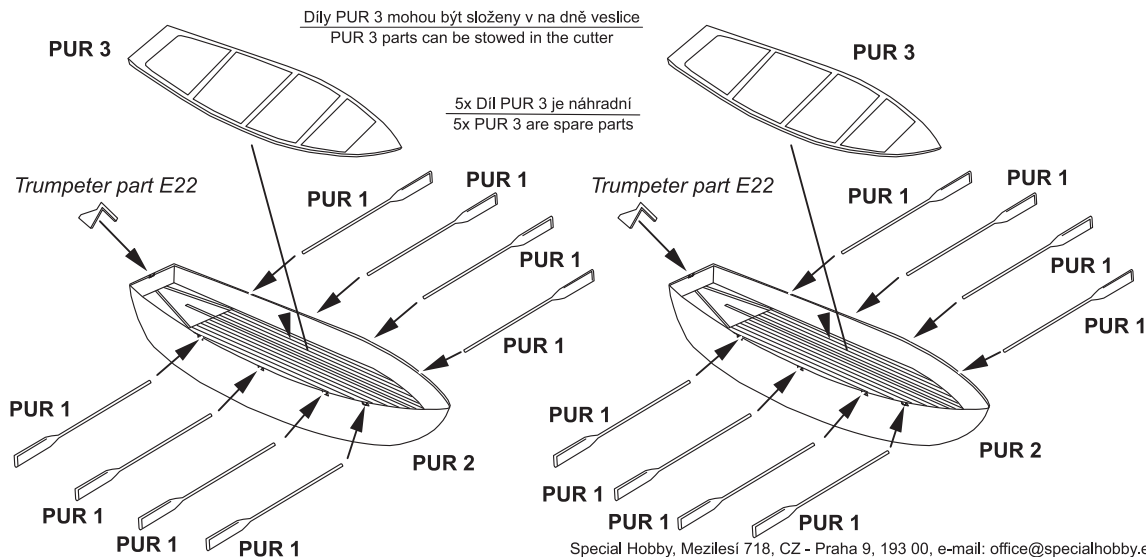
K lepení použít kyanoakrylátové lepidlo!

For best result gluing use cyanoacrylate glue!

Kontaktní plochy doporučujeme před lepením odmastit
 Contact areas ungrease is recommended before gluing.

Sestavení veslic délký 6 m / 6 m Cutters assembly

Díly PUR 2, 3 nahrazují díly ze stavěnice Trumpeter E17, E16
 PUR 2, 3 parts replaces Trumpeter kit parts E17, E16



Special Hobby, Mezilesí 718, CZ - Praha 9, 193 00, e-mail: office@specialhobby.eu