

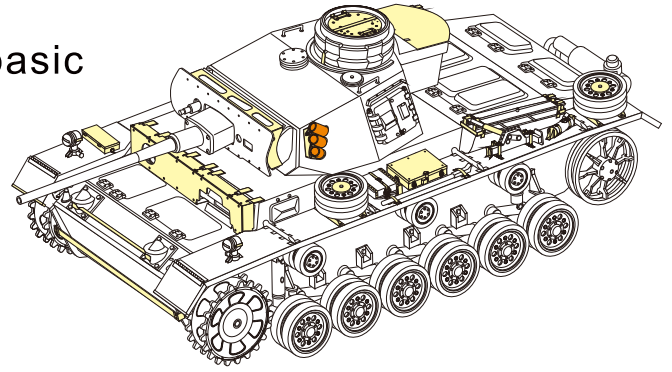
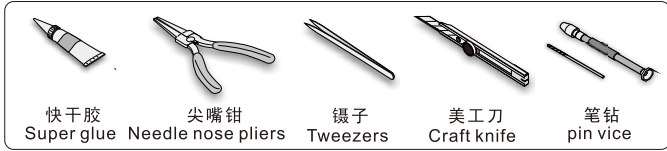
1/35 MILITARY MINIATURE VEHICLE UPGRADE SERIES PE351088

# WWII German Pz.KPfw.III Ausf.M basic

## 二战德军III号坦克M型基本改造件

[Dragon 6604/6605/6658/6776/9015/9017]

**推荐使用工具 RECOMMENDED TOOLS**

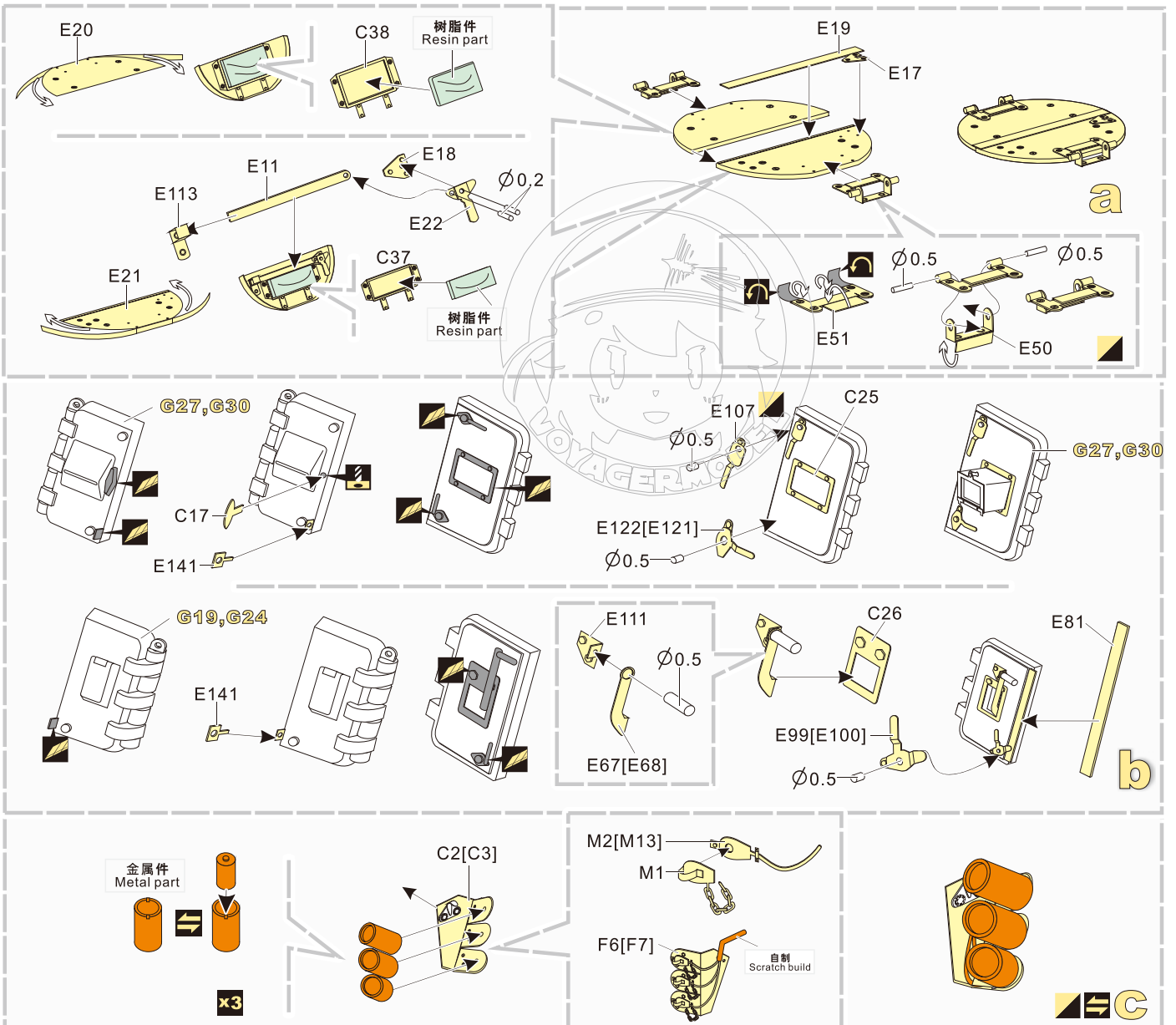


- 安装 install
- 折叠 bend
- A1** 改造件零件编号 PE/resin part number
- B12** 原零件编号 kit part number
- G22** 被替换的原零件编号 replaced kit part number
- 另一侧相同制作 repeat on opposite side
- 切除 remove
- 打磨 grind off
- 弧度卷曲 radial bending
- x2** 制作若干组 multiple assembly
- 选择安装 alternative
- 用铜管制作 make from brass tube
- 用胶棒制作 make from plastic rod

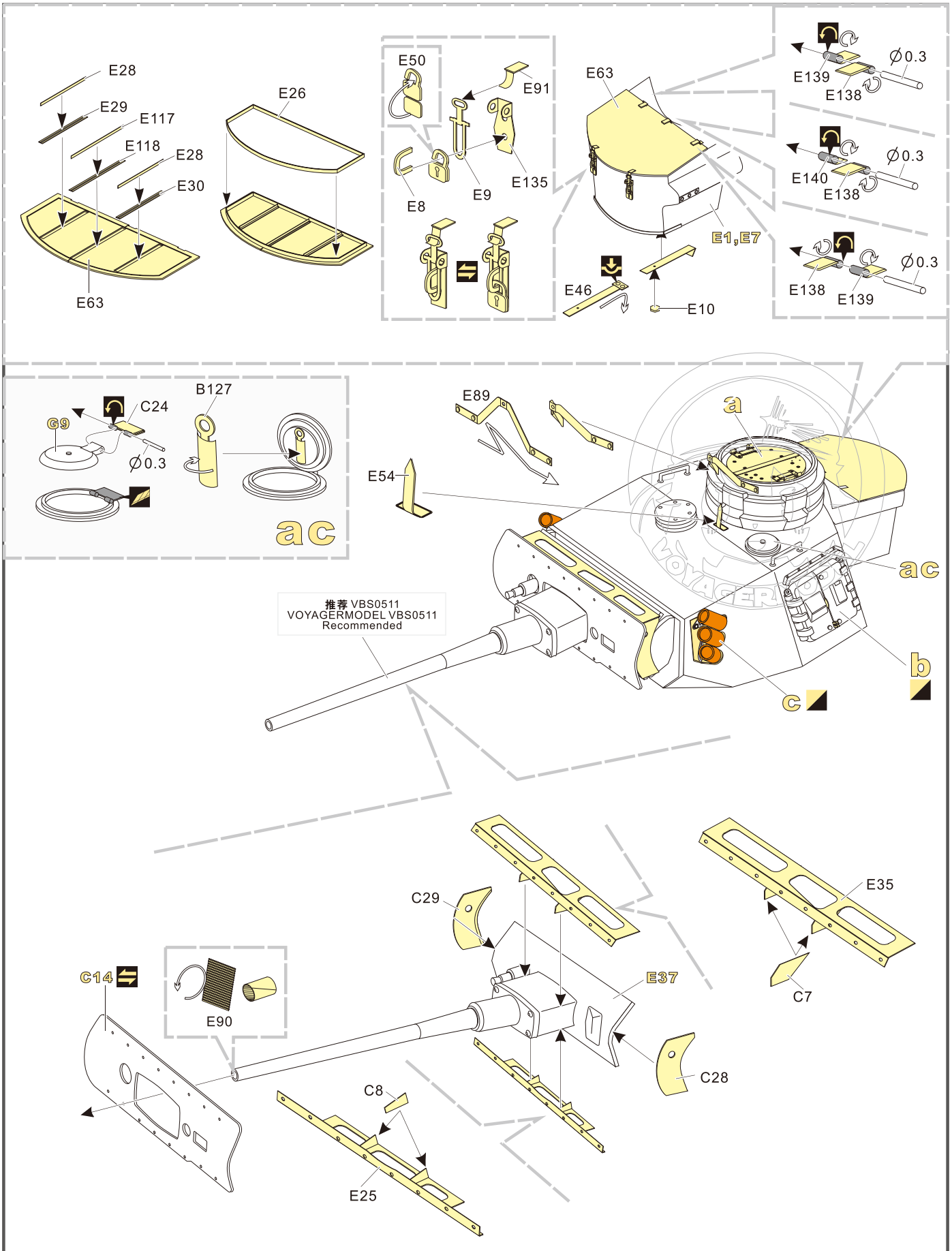
用尖端在凹槽处冲压 use penpoint to press on the dent

蚀刻片零件内侧面向上 Put the part upside down

用笔尖在凹槽处刻 Use penpoint to press on the dent



1/35 MILITARY MINIATURE VEHICLE UPGRADE SERIES PE351088



推荐 VBS0511  
VOYAGERMODEL VBS0511  
Recommended

1/35 MILITARY MINIATURE VEHICLE UPGRADE SERIES PE351088

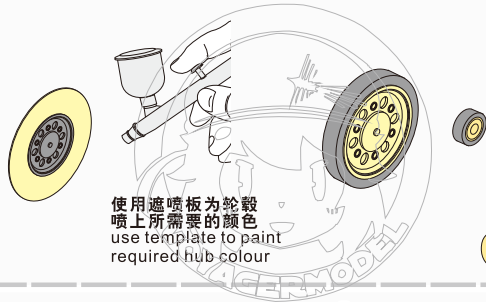
漏喷板使用说明:  
Instruction:



未上色零件  
Unpainted part

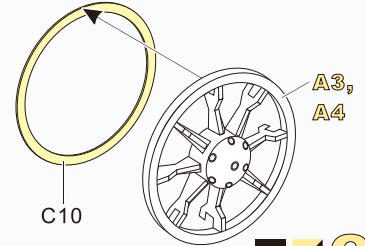


喷橡胶黑  
spray tyre black

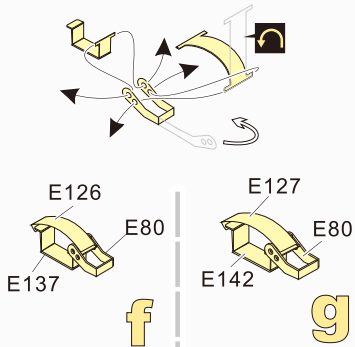


使用遮喷板为轮毂  
喷上所需要的颜色  
use template to paint  
required hub colour

d

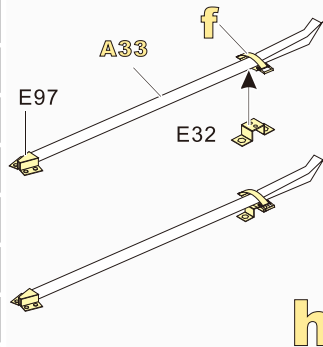


x2 e

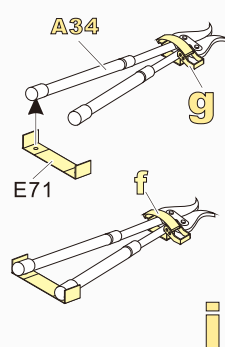


f

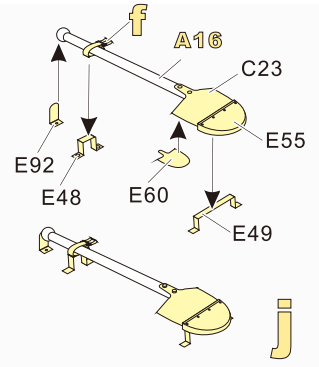
g



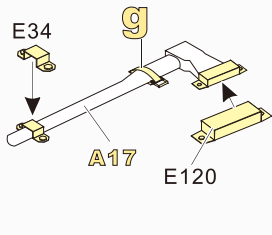
h



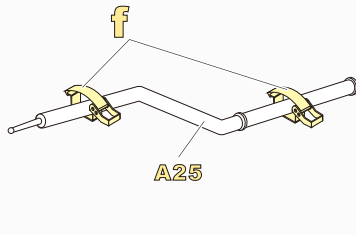
i



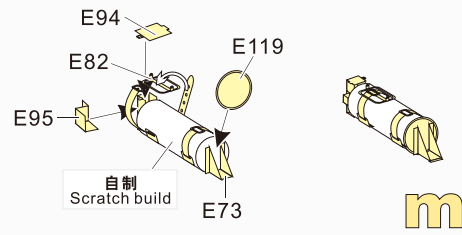
j



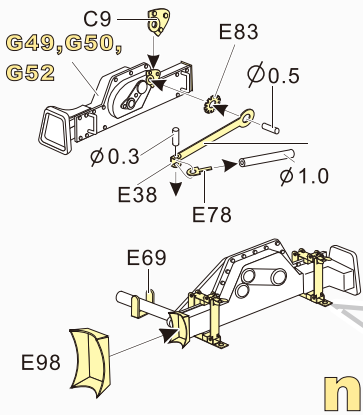
k



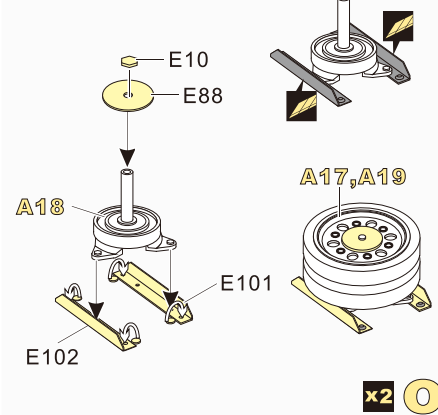
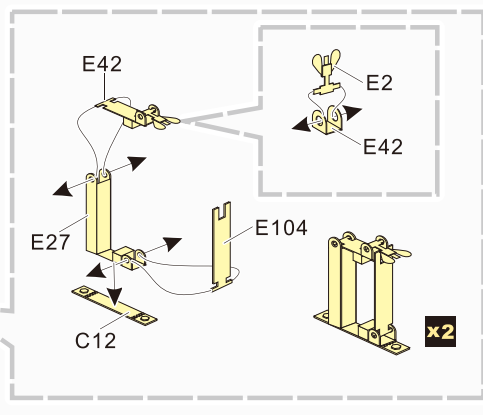
l



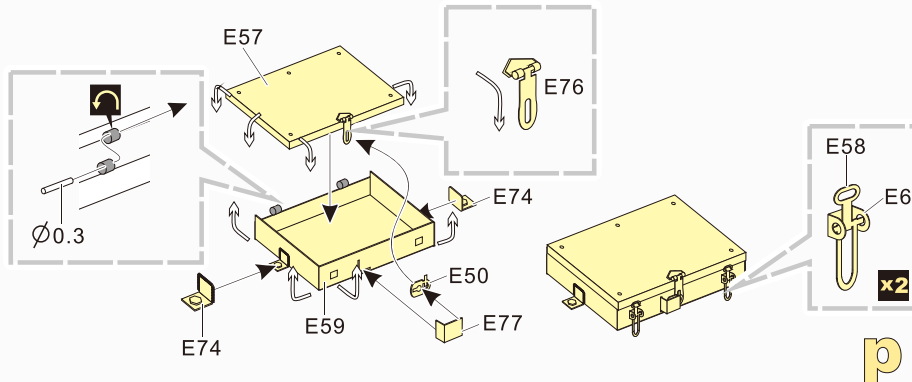
m



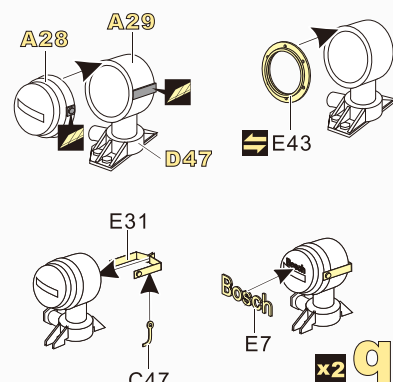
n



x2 o

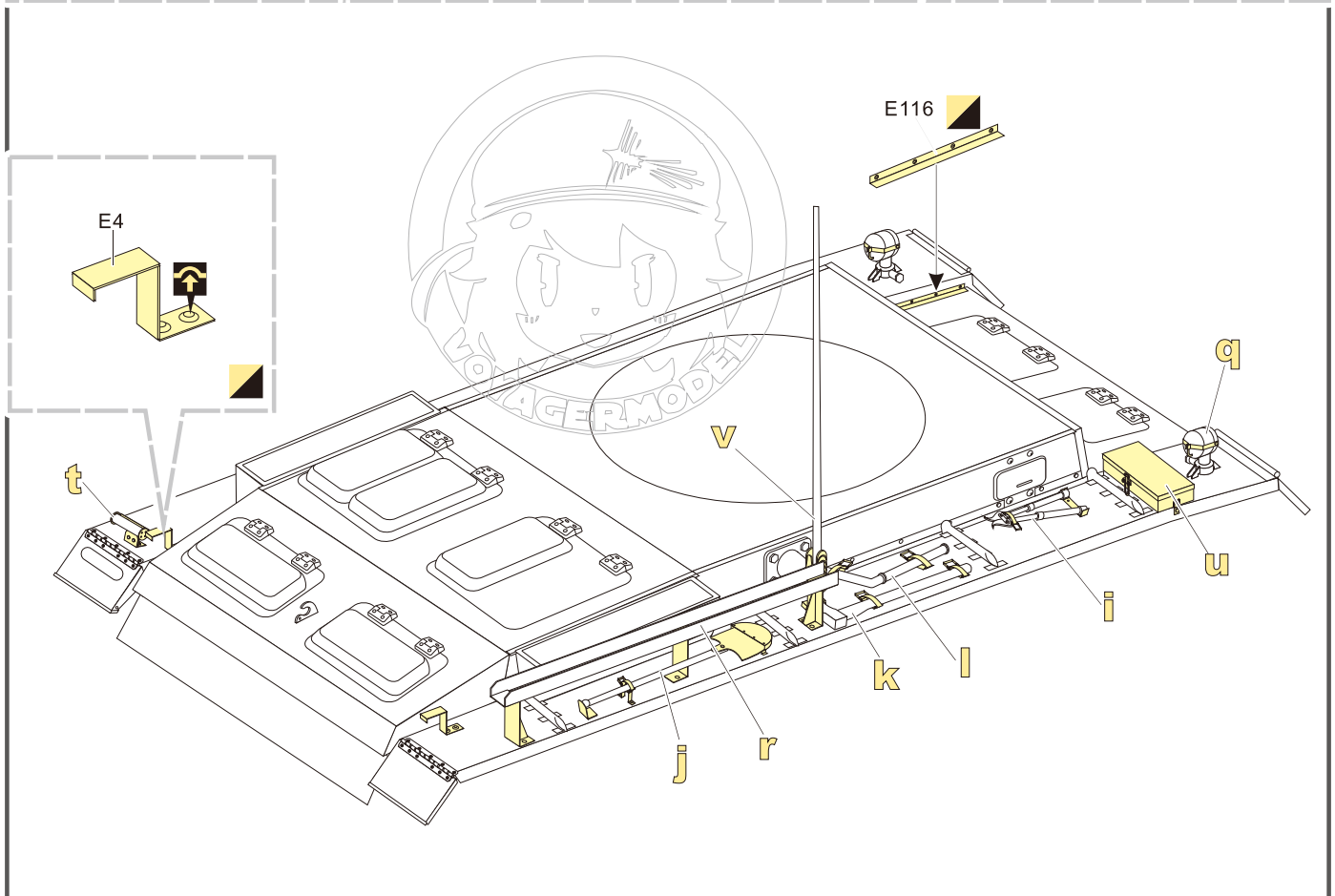
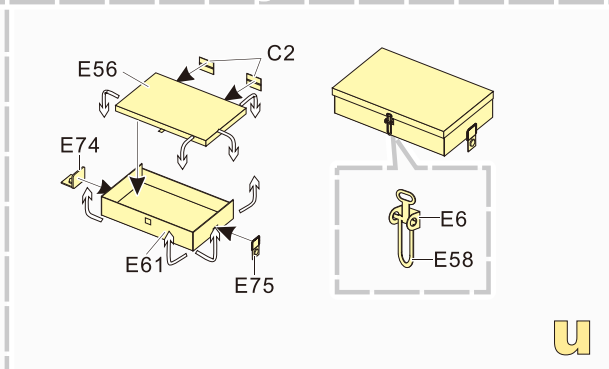
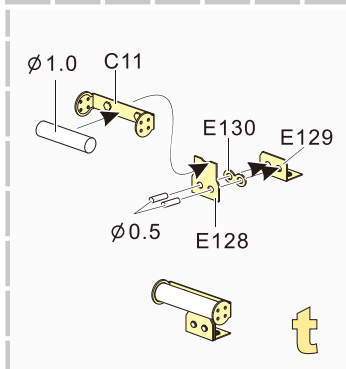
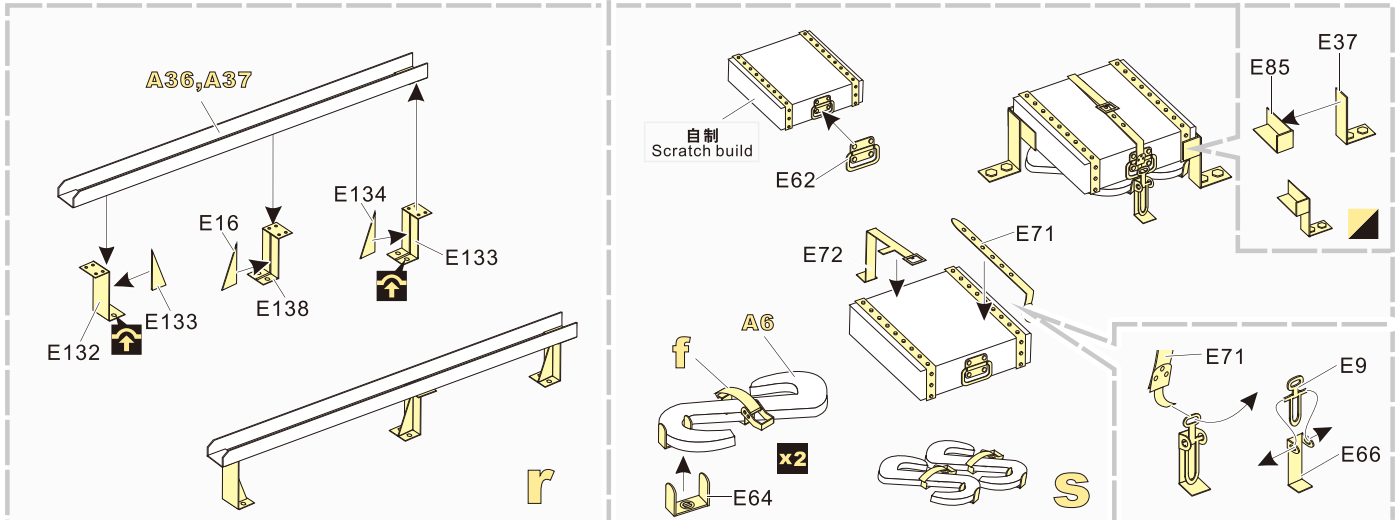


p

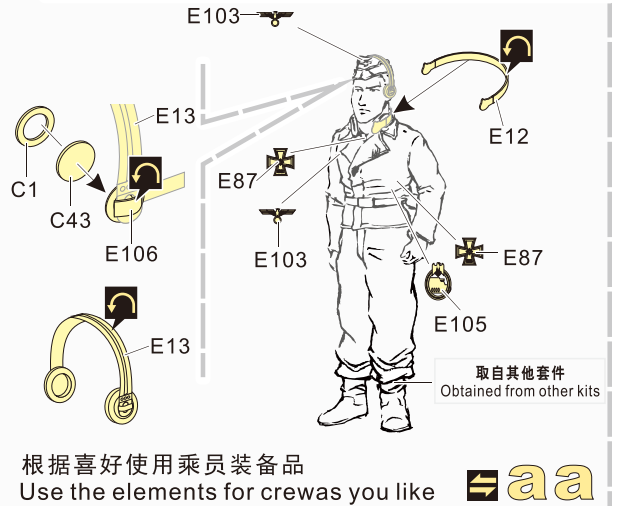
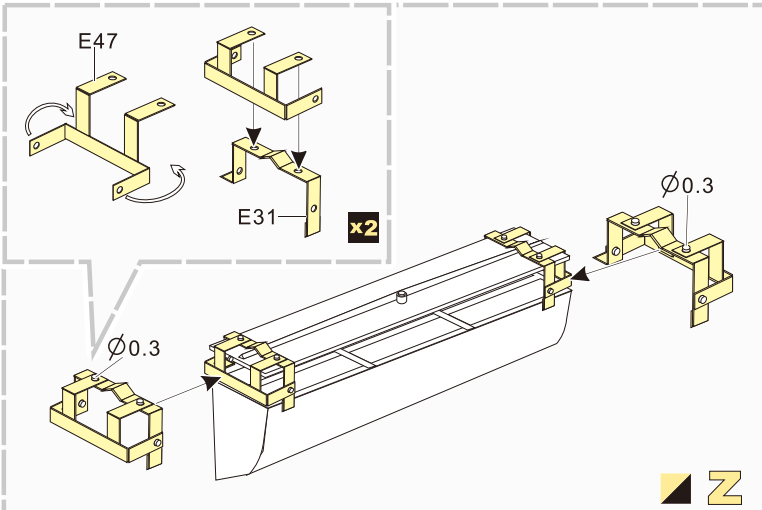
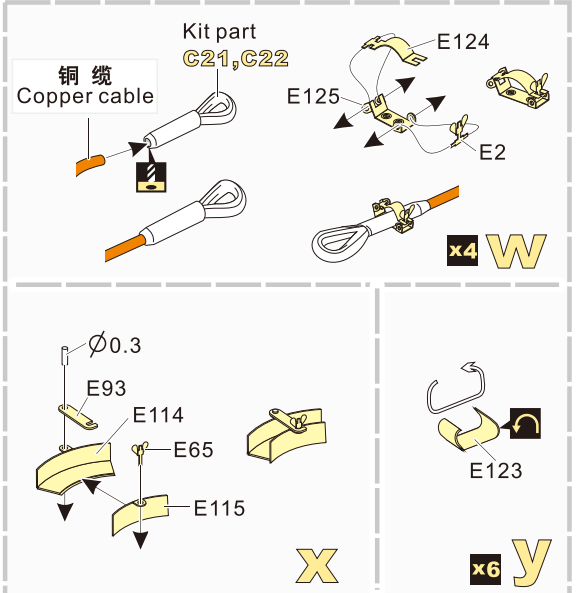
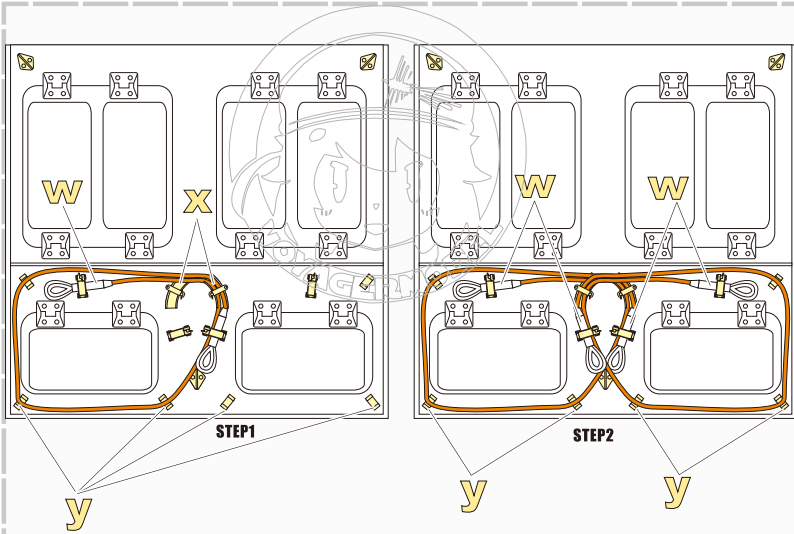


x2 q

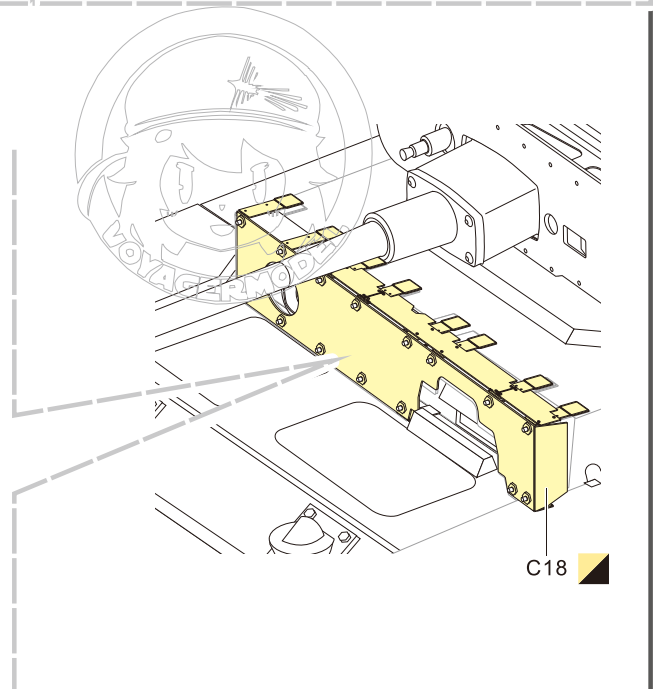
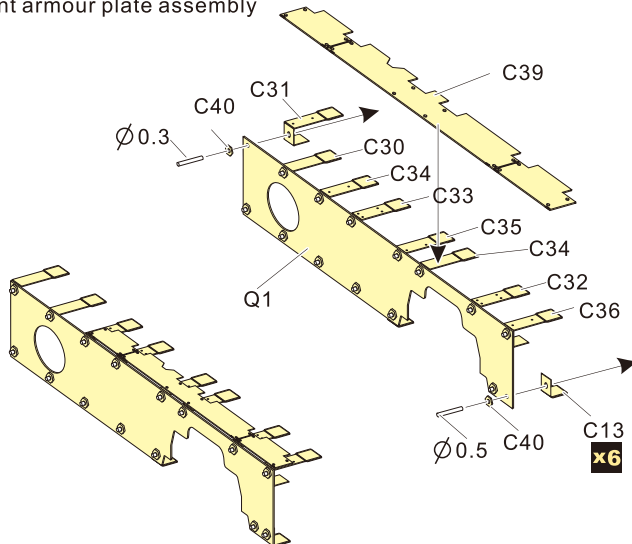
1/35 MILITARY MINIATURE VEHICLE UPGRADE SERIES PE351088



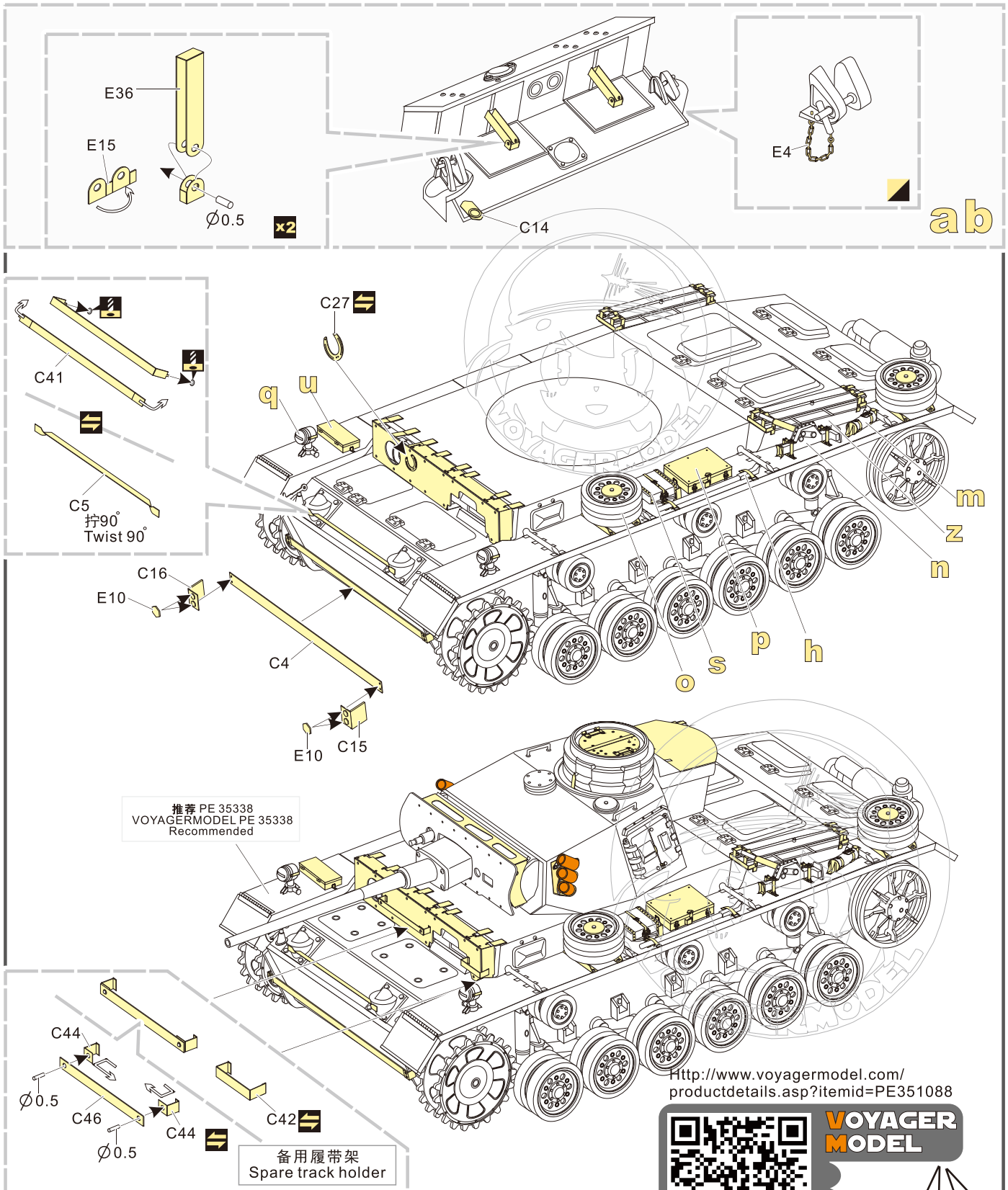
1/35 MILITARY MINIATURE VEHICLE UPGRADE SERIES PE351088



**车体正面附加装甲制作**  
Front armour plate assembly



1/35 MILITARY MINIATURE VEHICLE UPGRADE SERIES PE351088



[Http://www.voyagermodel.com/productdetails.asp?itemid=PE351088](http://www.voyagermodel.com/productdetails.asp?itemid=PE351088)



**VOYAGER  
MODEL**



更多PE351088样品照片参考请扫一扫  
MORE PICTUER OF PE 351088  
REFERENCE SCAN HERE

<b>VOYAGERMODEL</b> <sup>®</sup> 无微不至 精益求精	
<u>Recommended item</u>	
PE 35338	WWII German Pz.KPfw.III L-N version/StuG.III F8 version Fenders
PEA212	WWII German Pz.Kpfw.III Ausf.M/N Additional Armour Pattern 2
VBS0511	WWII German 50mm KwK39 L/60 Gun Barrel (Pz.III used)
PEA108	WWII German Pz.KPfw.III Late Production Damaged Road Wheels