



TIGER I

W/ FULL INTERIOR & CLEAR PARTS OF THE HULL & TURRET

ASSEMBLY ICONS



OPTIONAL
选择



CEMENT
膠水



DO NOT CEMENT
不使用膠水



INSTANT CEMENT
瞬間接著劑



BEND
彎折



MAKE 2
製作2組



OPEN HOLE
鑽孔



REMOVE
切除



BE CAREFUL
注意



APPLY DECAL
貼上水貼紙

CAUTION!

Read carefully and fully understand the instructions before commencing assembly. Supervising adult should also read the instructions if a child assembles the model. When you used glue or paint, do not use near a naked flame, and use in a well-ventilated room. When assembling this kit, tools including knives are used. Extra care should be taken to avoid personal injury. Read and follow the instructions supplied with paints and/ or cement. Use plastic cement and paints only. Keep out of reach of small children. Children must not be allowed to suck any part, or pull vinyl bag over the head.

在裝配前仔細閱讀說明並完全理解。小孩裝配時需成人看護且需仔細閱讀說明。使用膠水和油漆時，應遠離火源並打開窗戶保持空氣流通。製作時請格外注意工具刀和零件的鋒利尖銳部分，避免對身體造成傷害。在使用膠水和油漆前仔細閱讀注意事項，按照說明正確使用膠水和油漆。請將本品放在兒童接觸不到的地方，套件中的塑膠包裝袋會對兒童造成窒息的危險。

The assembly of this instructions is based on the No.S04 vehicle.

The No.1331 vehicle and the clear parts are optional. We use the color of the line to distinguish the type of assembly.

The No.1331 is green lines, The clear parts is blue lines.

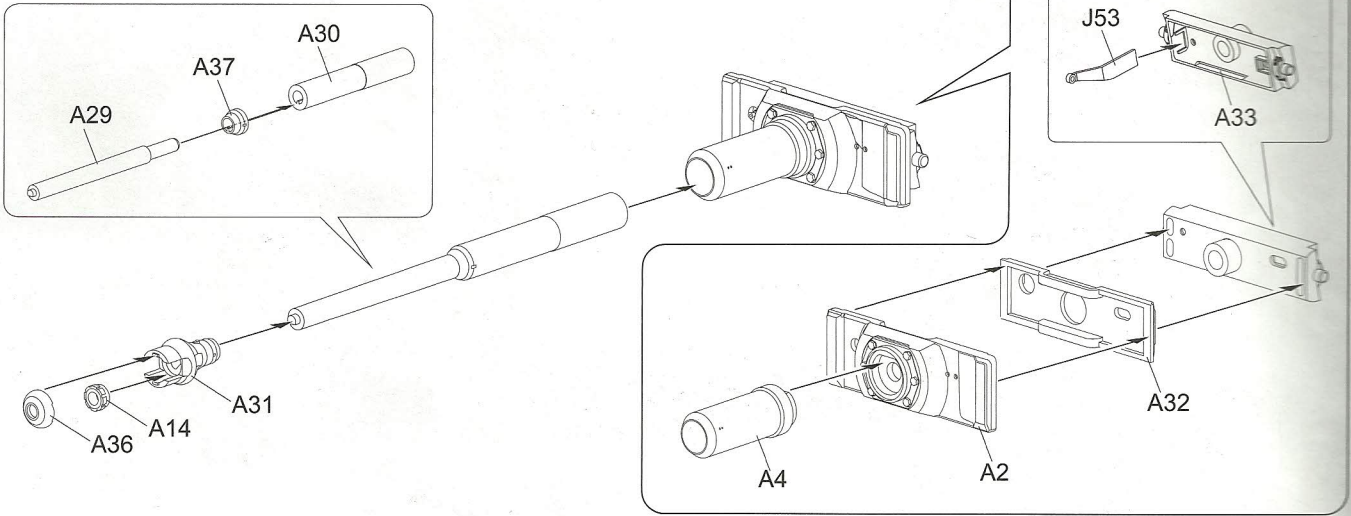
Please read the instructions carefully to select the type before assembly.

本产品说明书的装配步骤是基于No.S04的车辆。No.1331车辆和透明壳体零件选装。我们用线条的颜色来区分装配的类型。

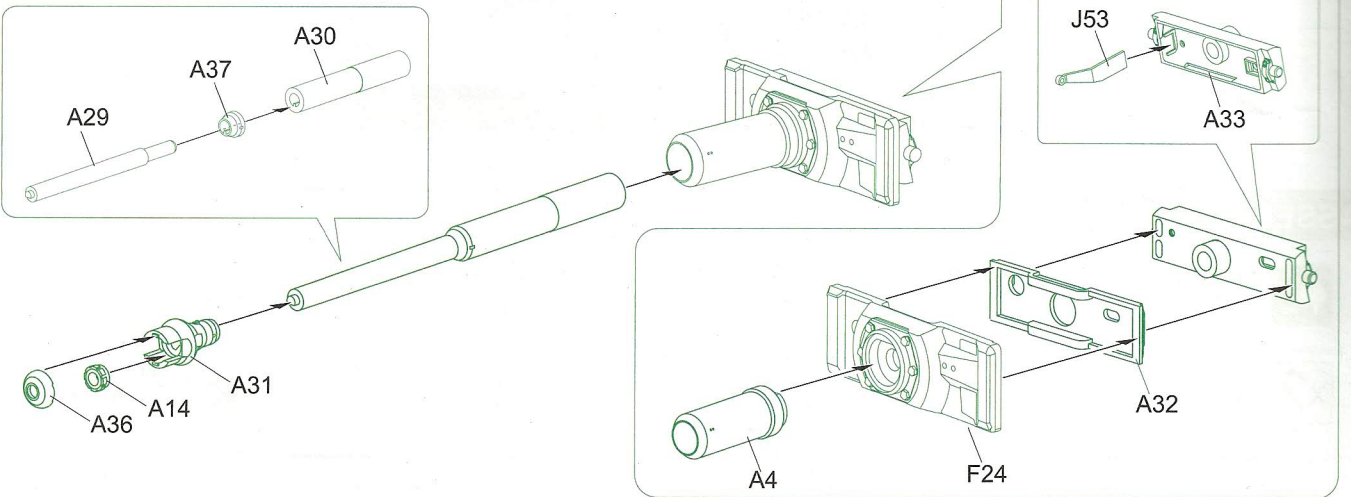
No.1331为绿色线条，透明壳体零件为蓝色线条。

请在组装前仔细阅读说明书以选择适合的装配类型。

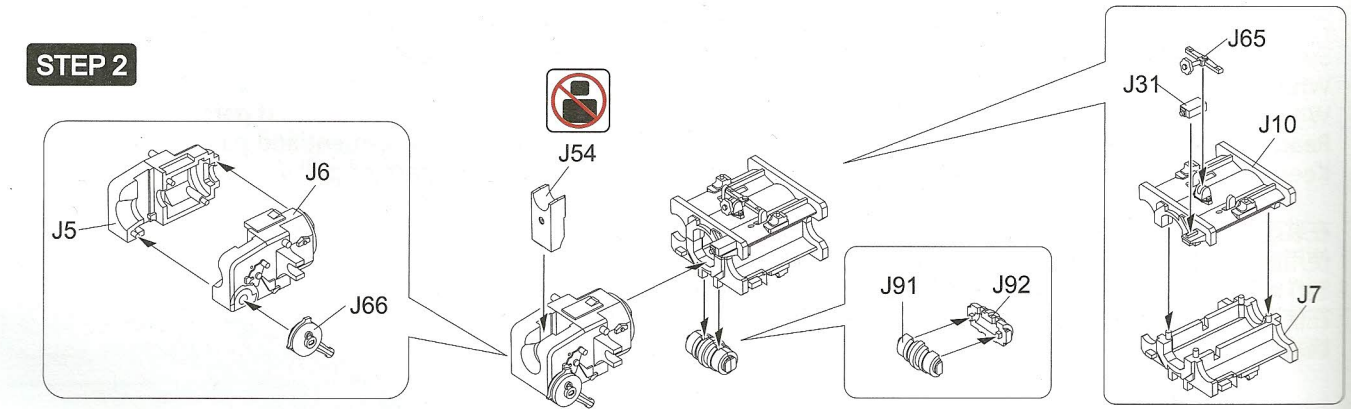
STEP 1



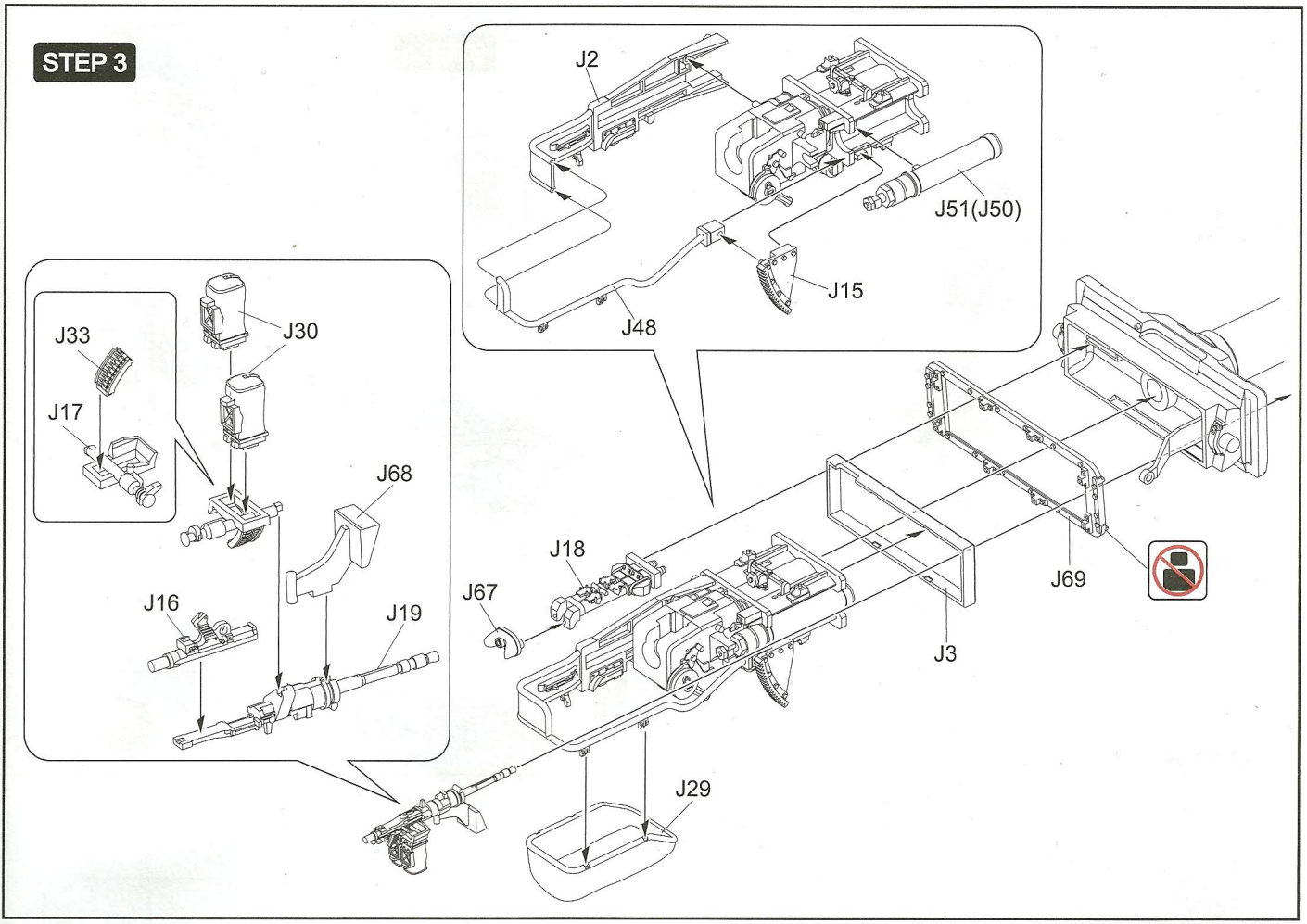
Apply for the No.1331 use only
仅适用于NO.1331



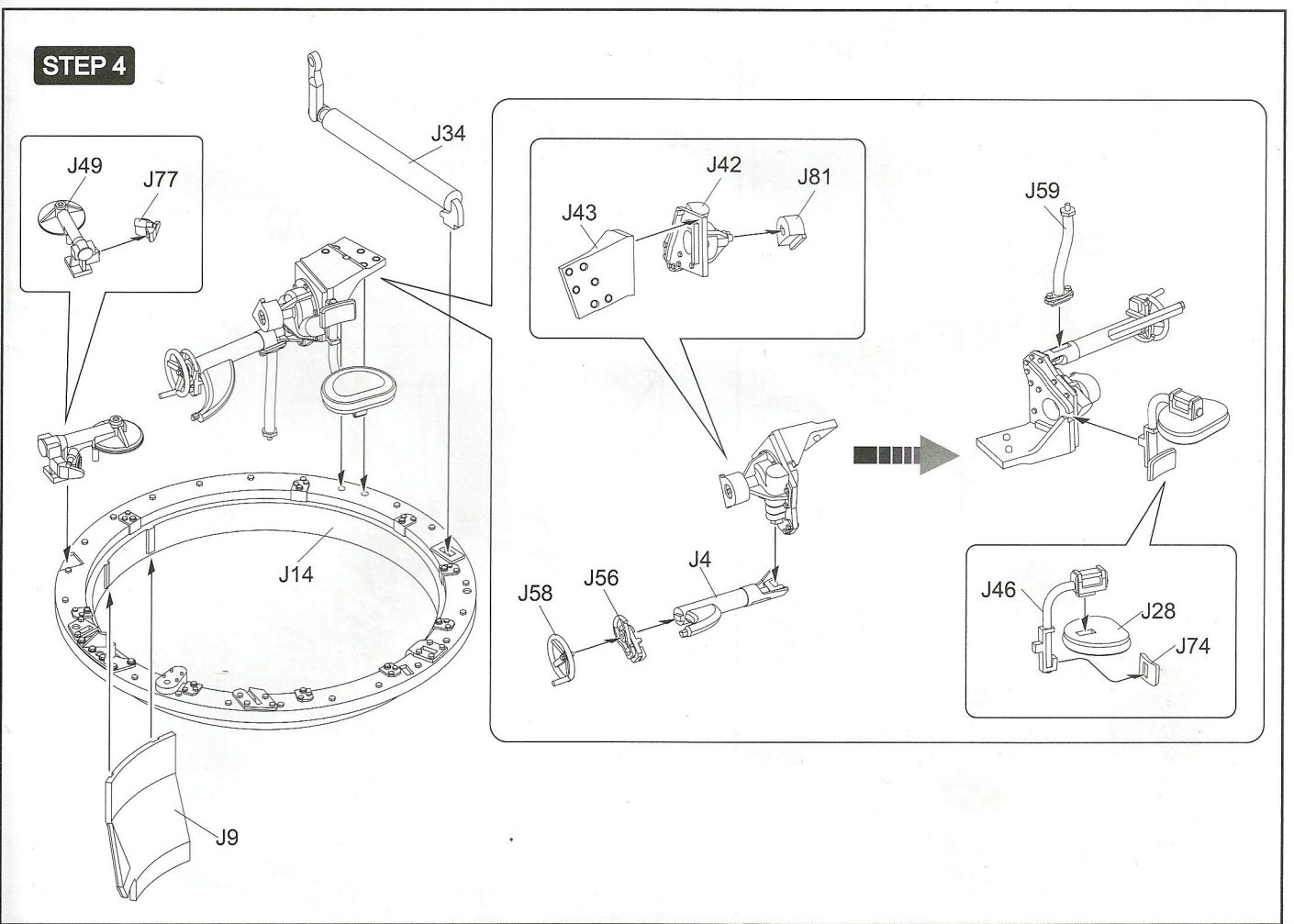
STEP 2

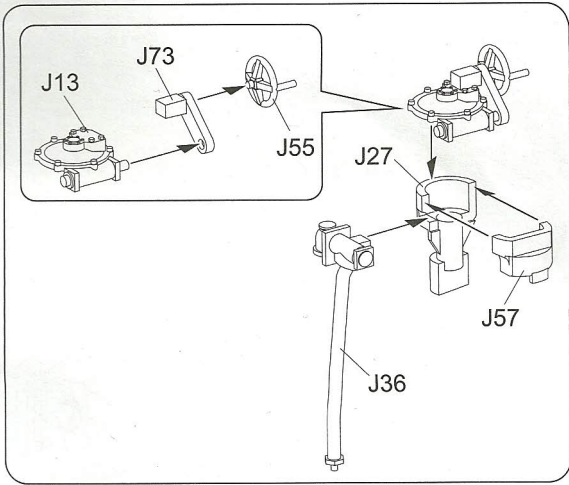


STEP 3

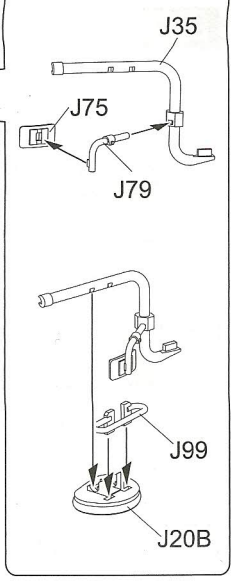
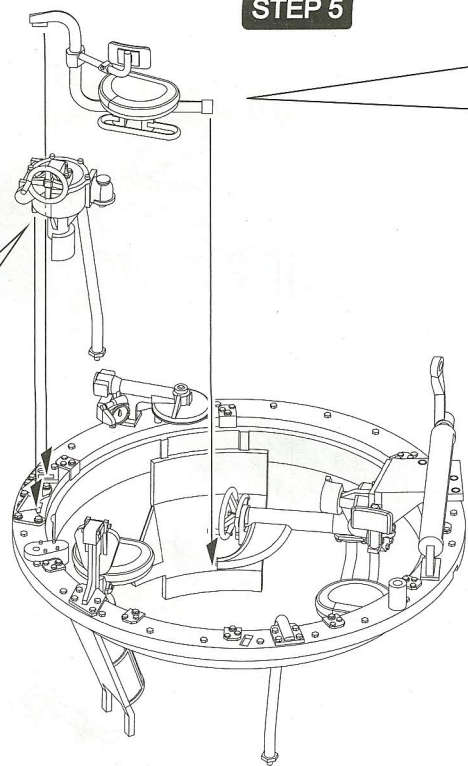


STEP 4

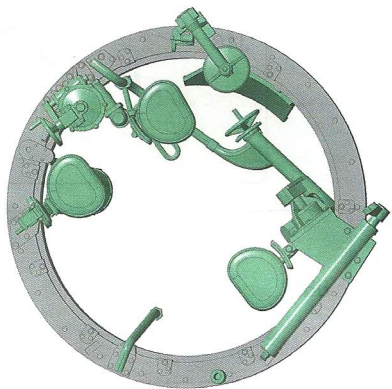
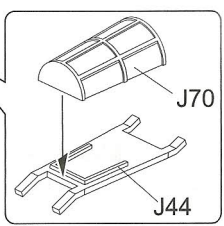
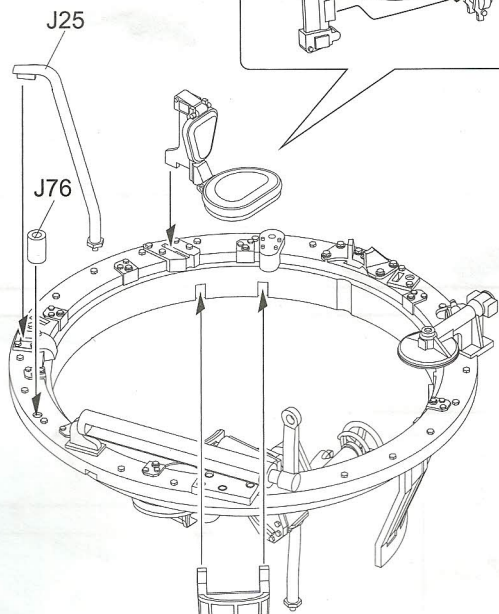
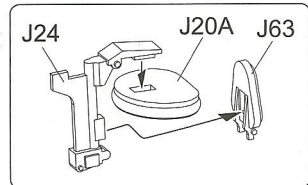




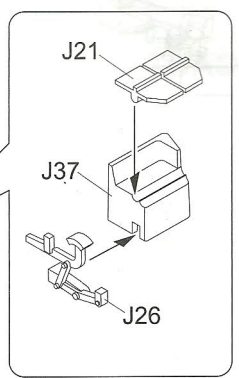
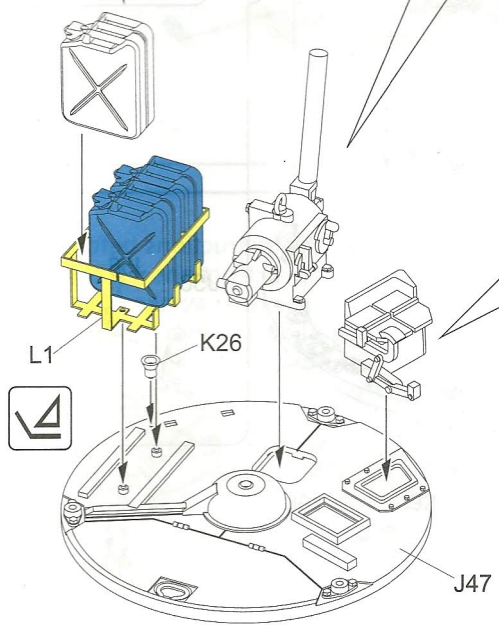
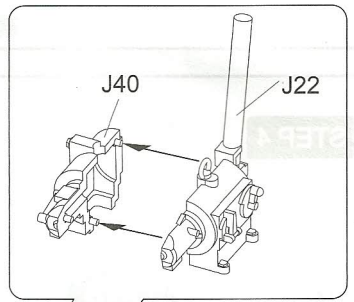
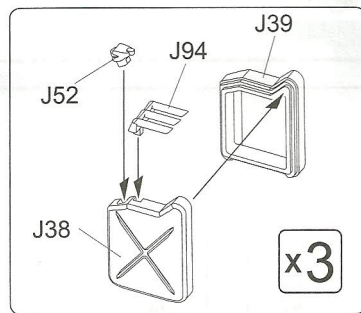
STEP 5



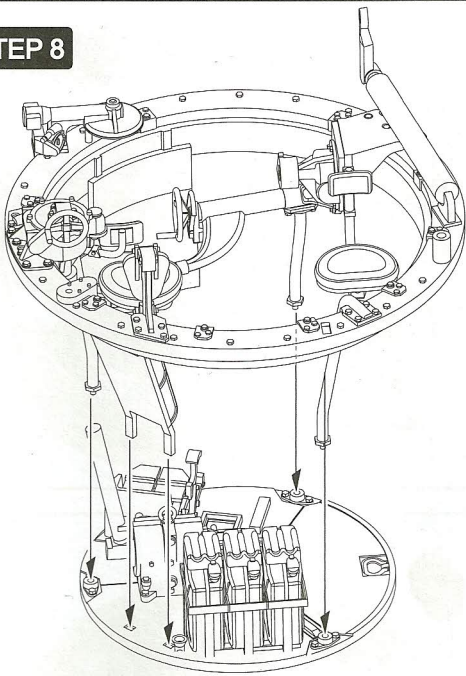
STEP 6



STEP 7



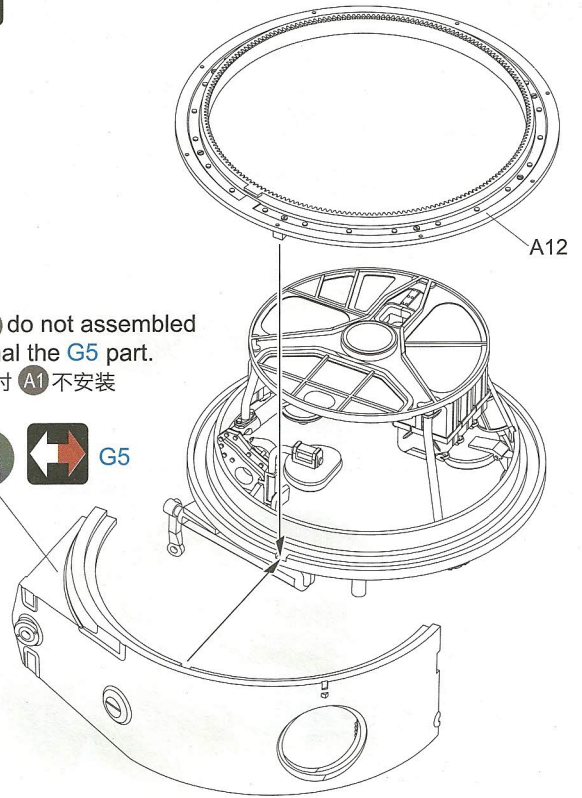
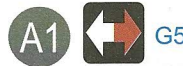
STEP 8



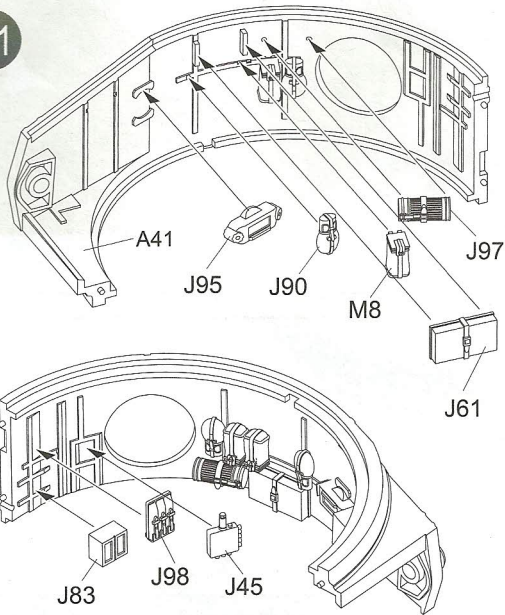
STEP 9



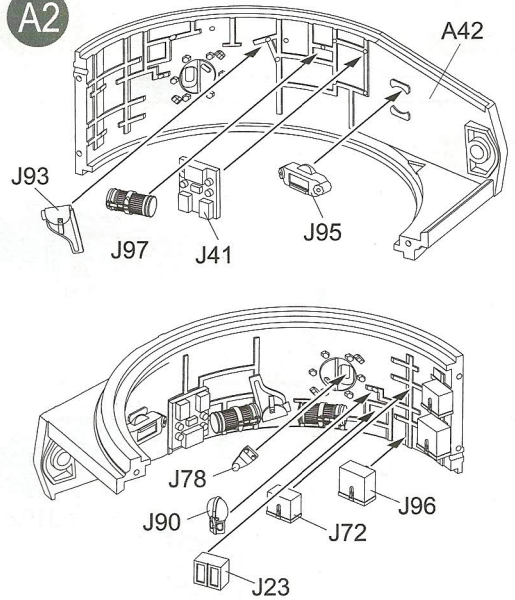
Step **A1** do not assembled
if optional the **G5** part.
选择**G5**时 **A1** 不安装



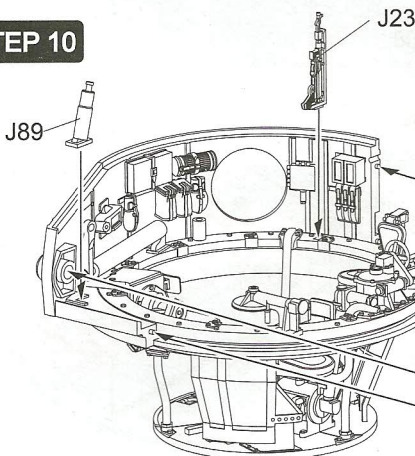
A1



A2



STEP 10



Step **A2** do not assembled
if optional the **G6** part.
选择**G6**时 **A2** 不安装

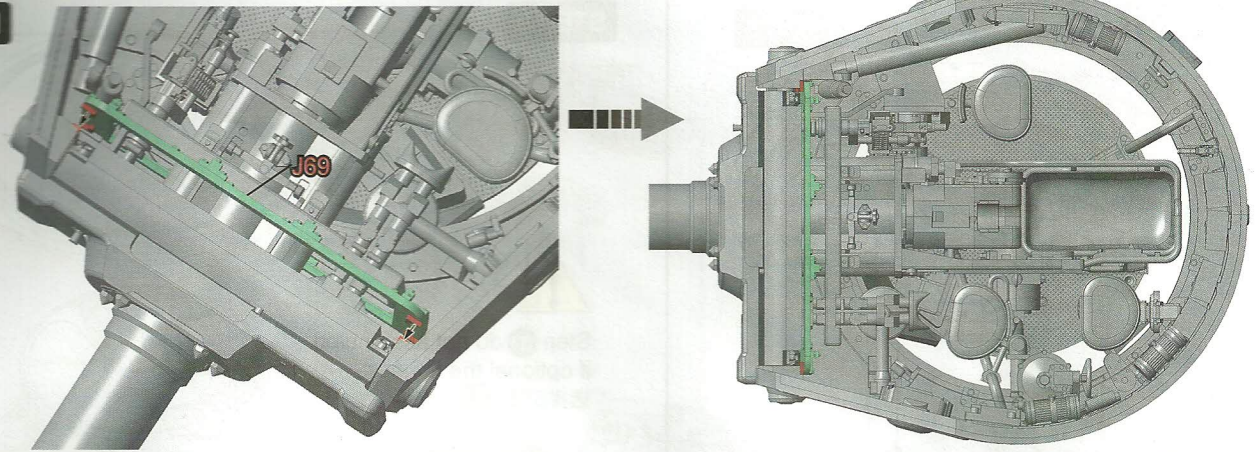


A2

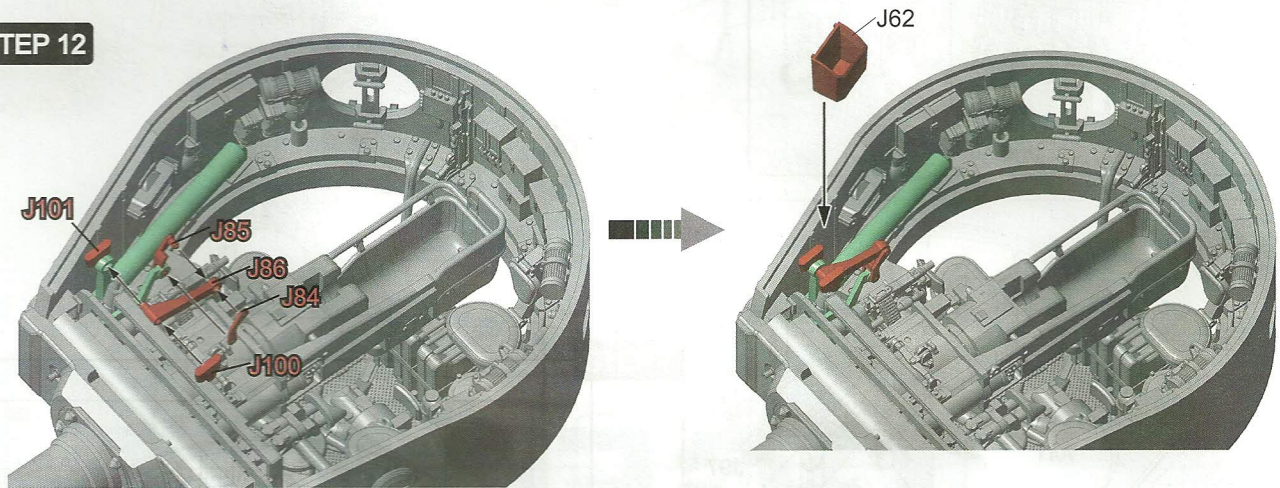


G6

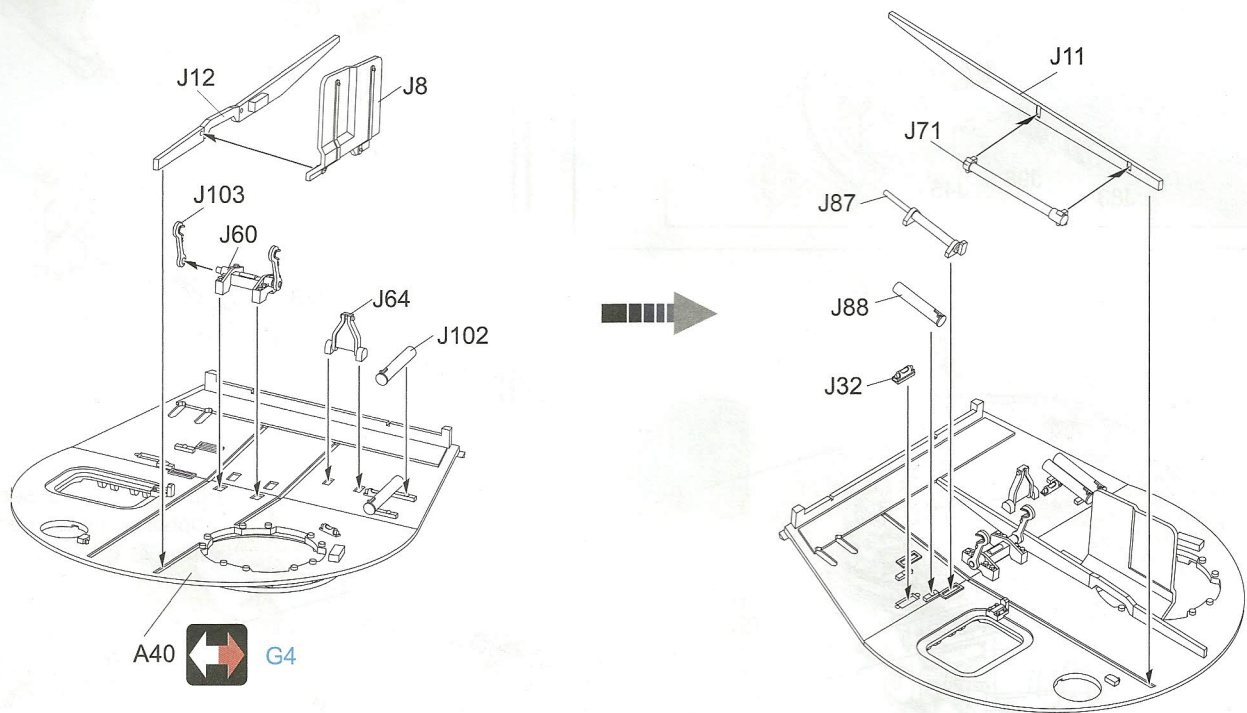
STEP 11



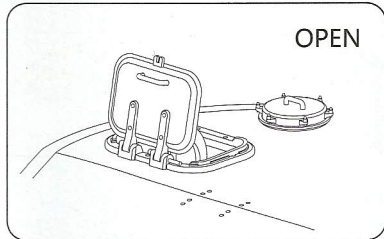
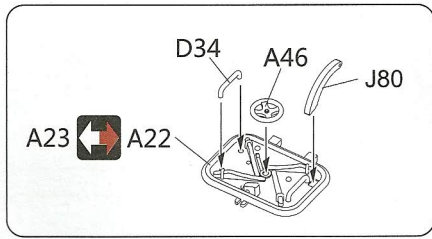
STEP 12



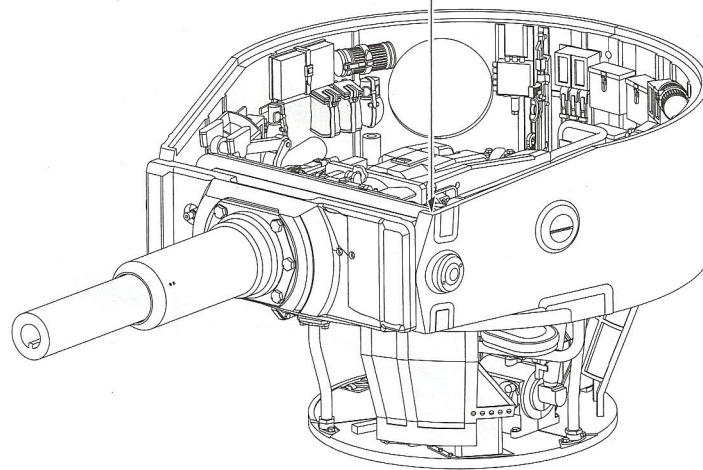
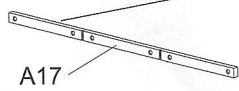
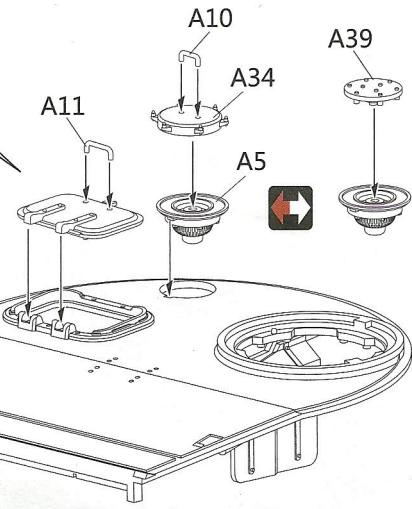
STEP 13



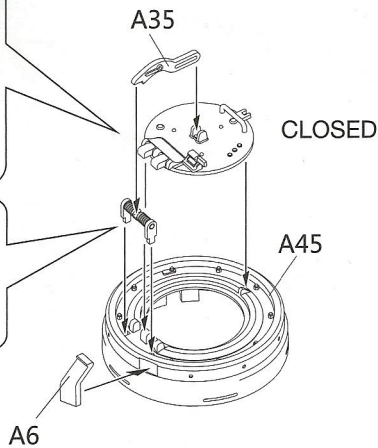
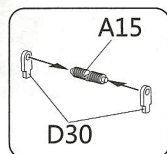
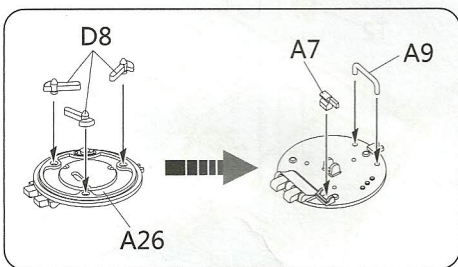
STEP 14



CLOSED



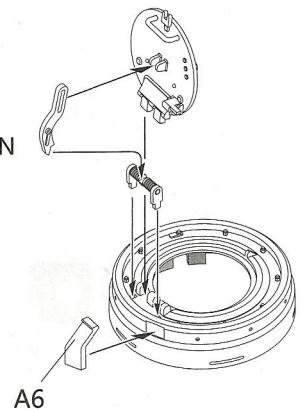
STEP 15



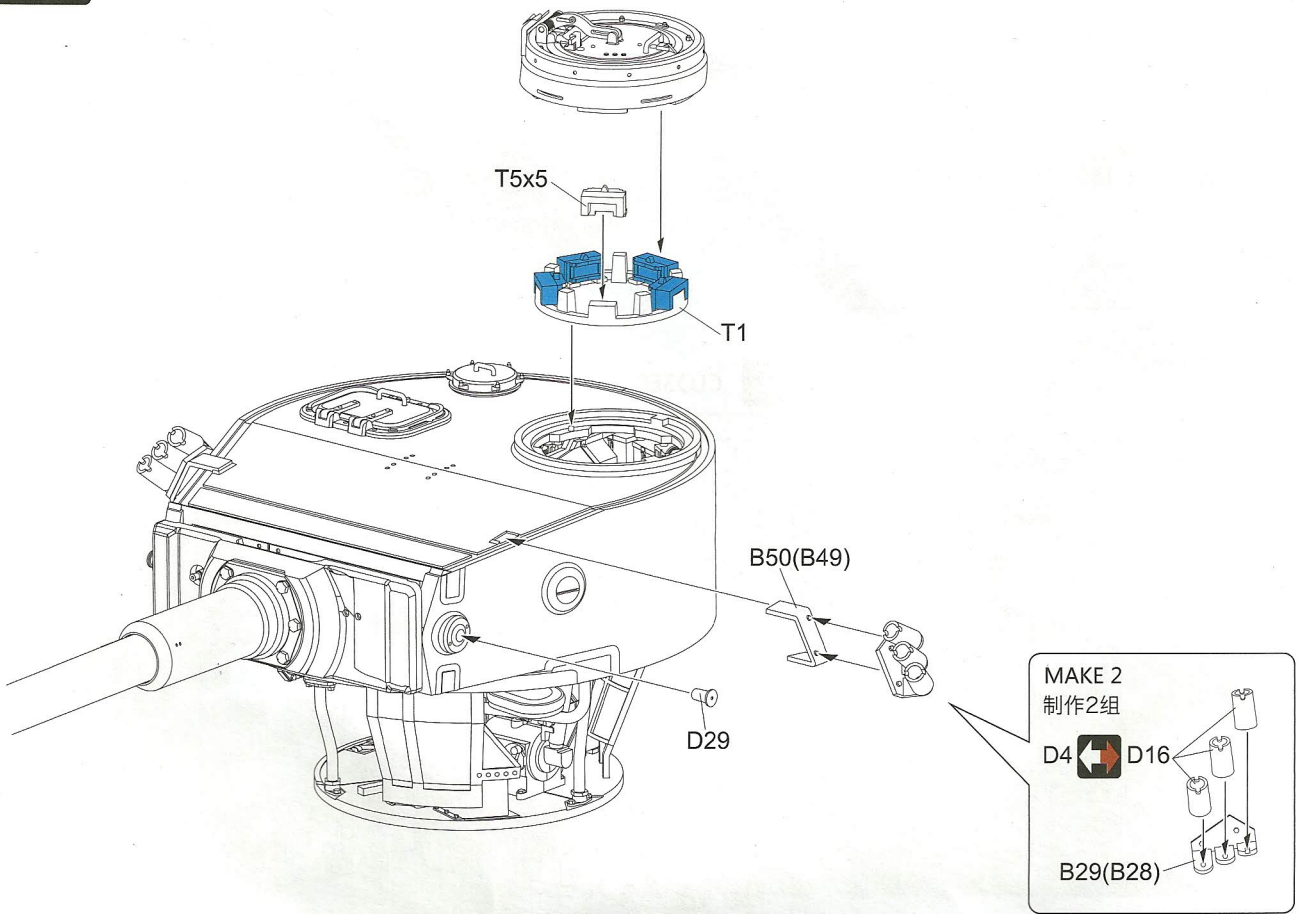
CLOSED



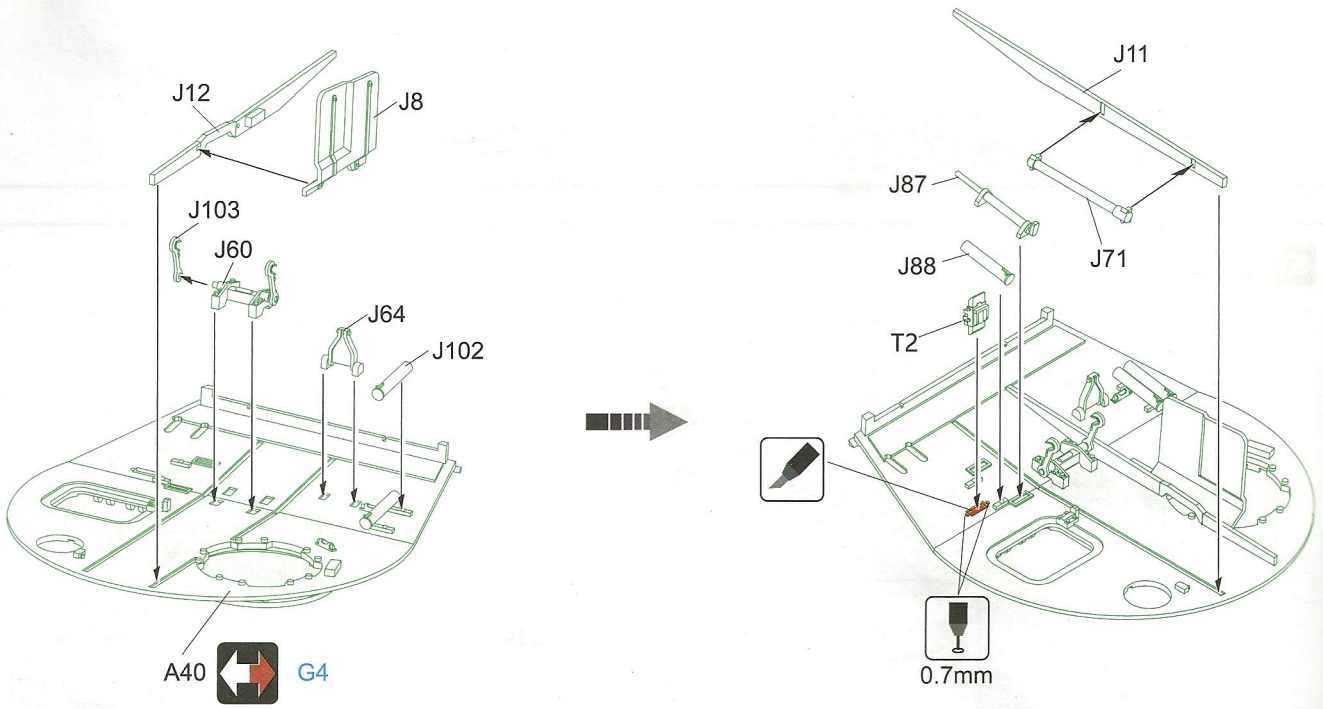
OPEN

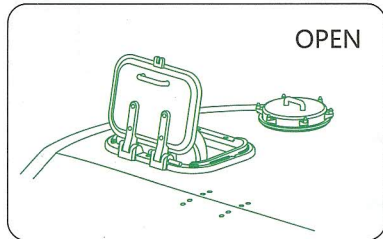
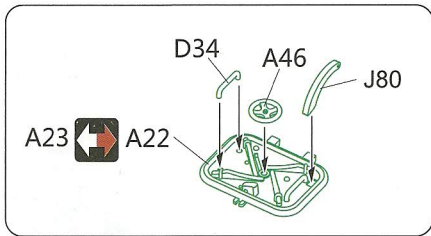


STEP 16

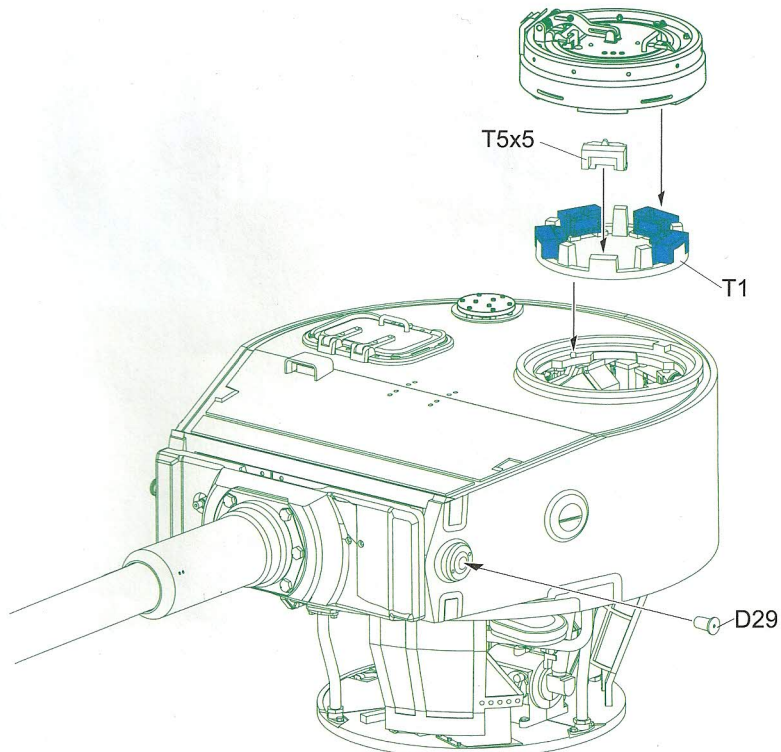
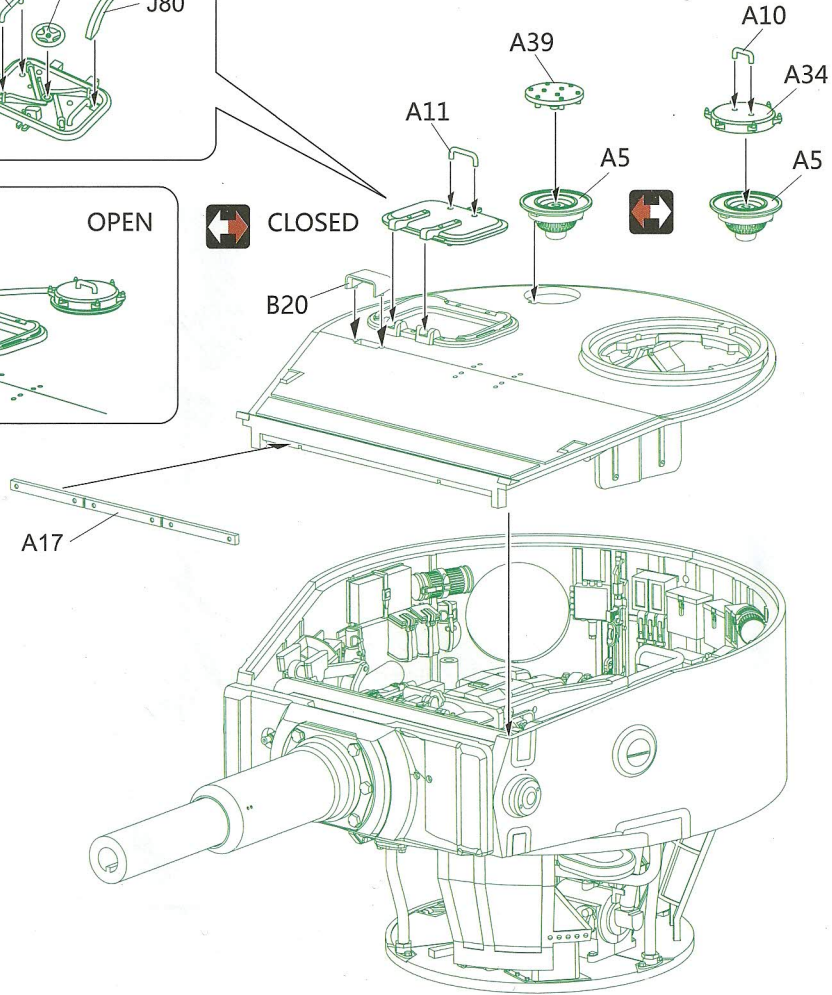


Apply for the NO.1331 use only
仅适用于NO.1331

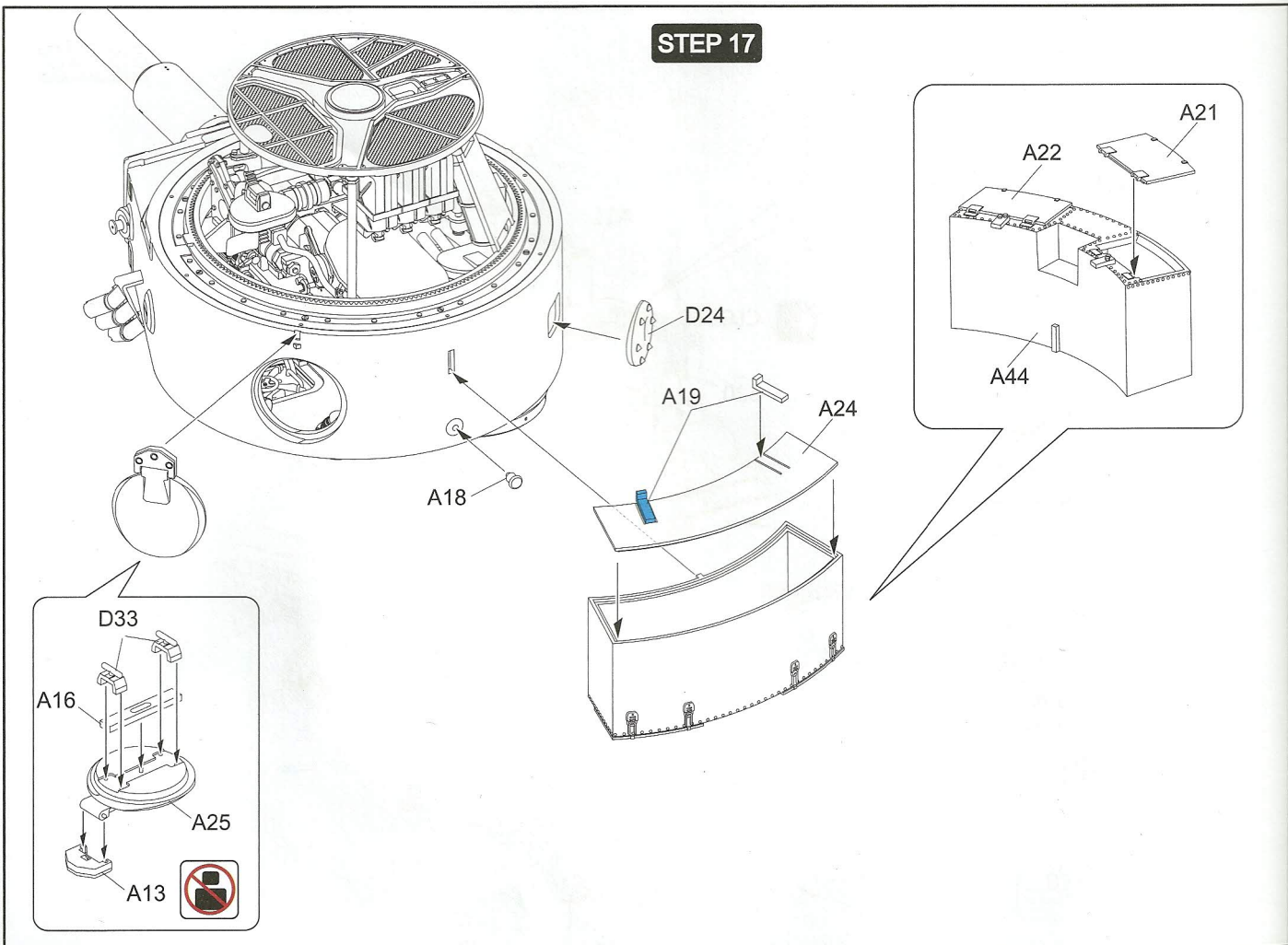




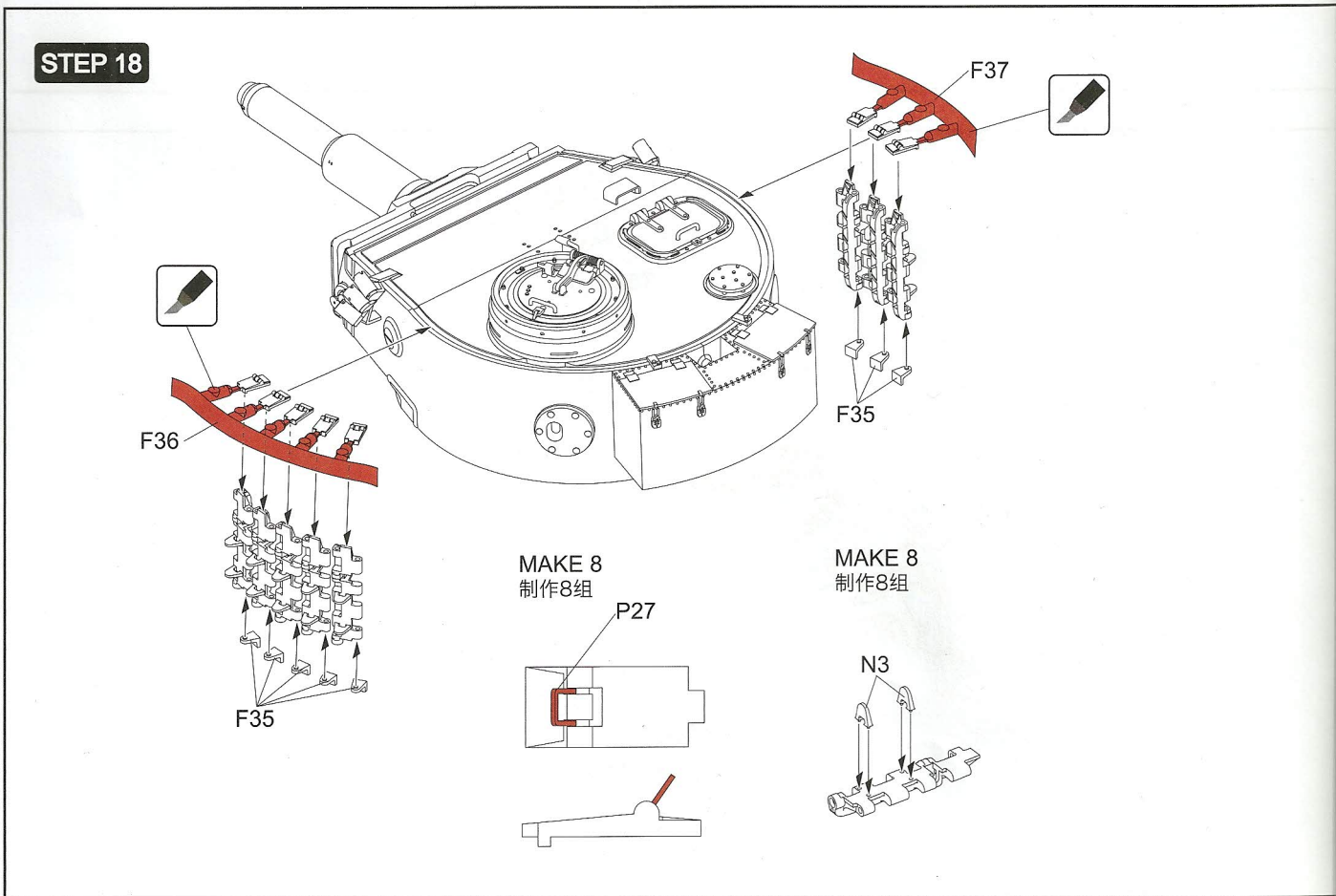
CLOSED



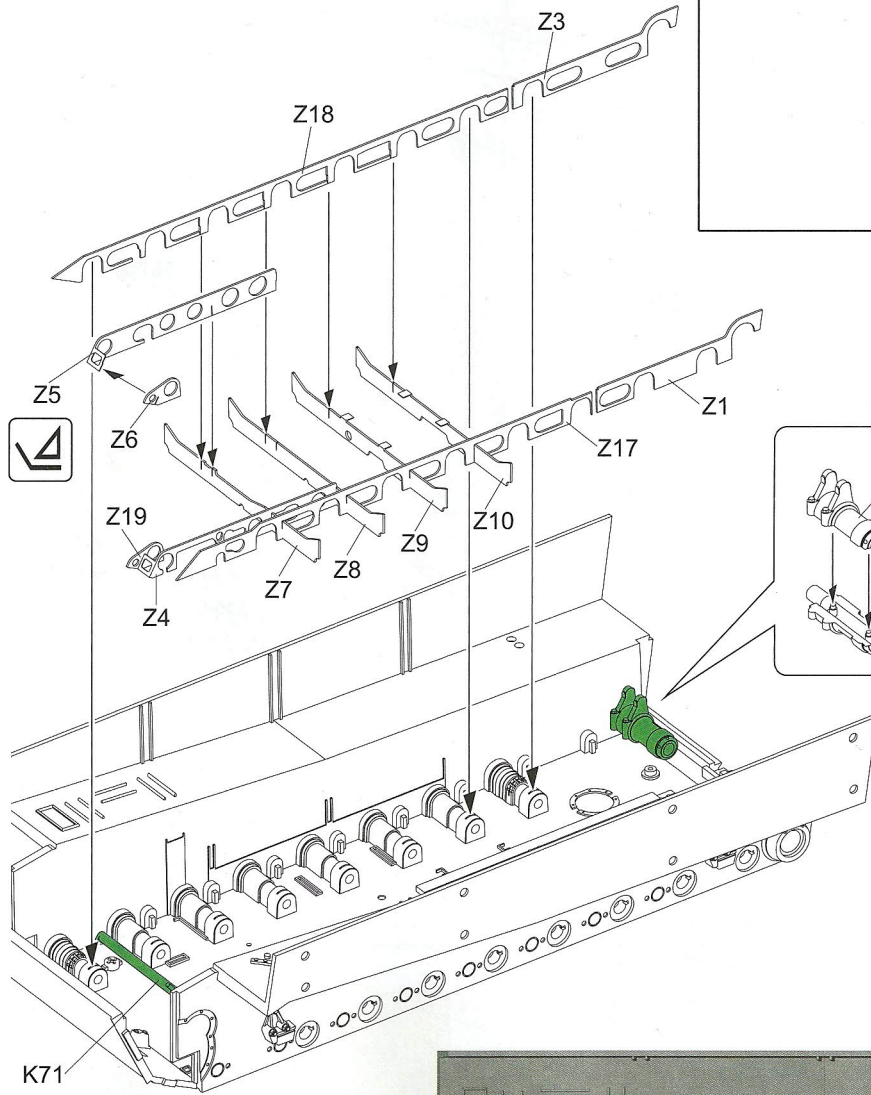
STEP 17



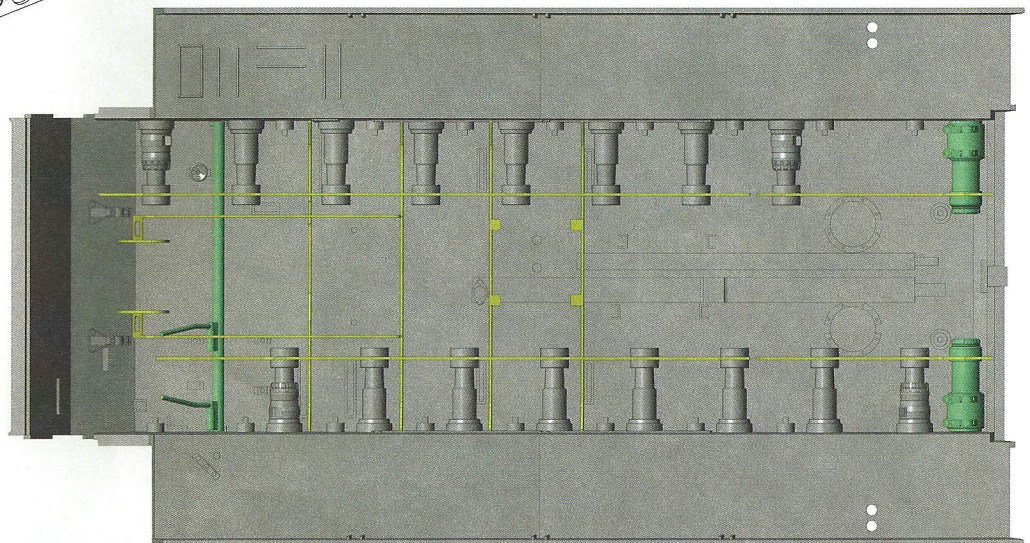
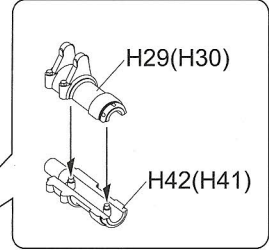
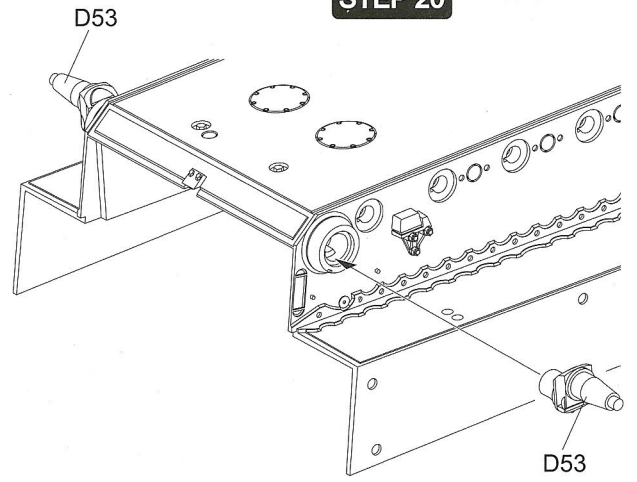
STEP 18



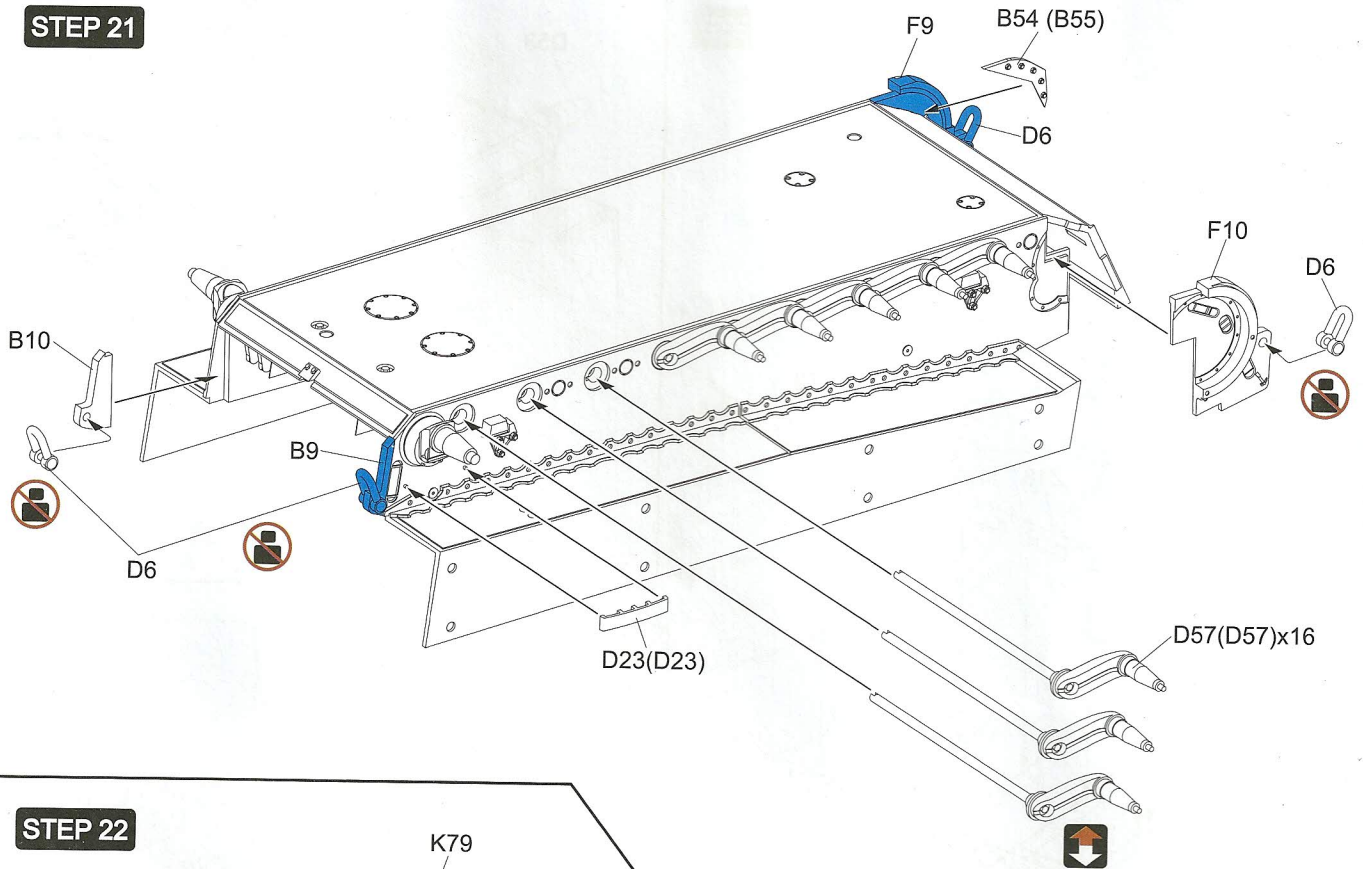
STEP 19



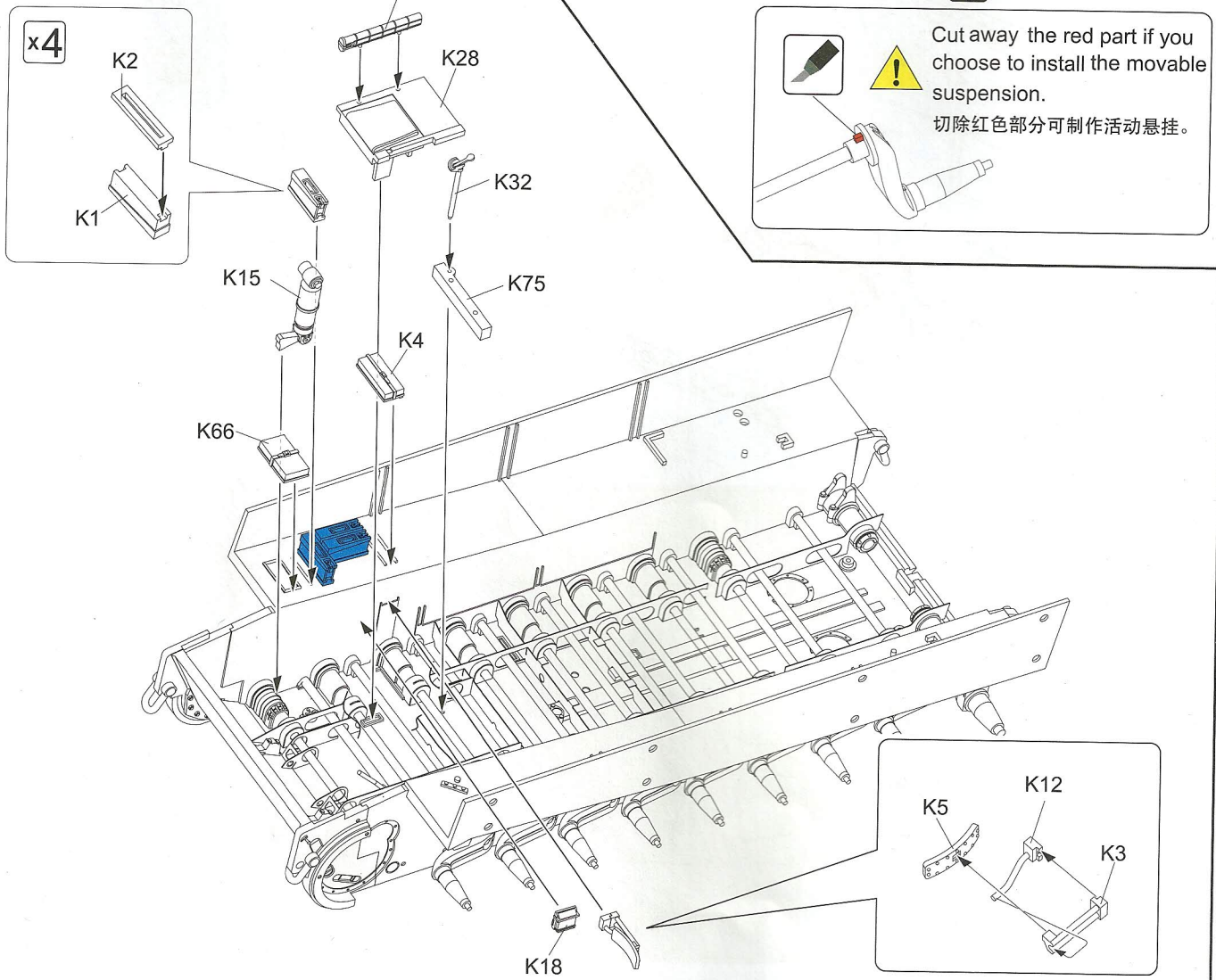
STEP 20



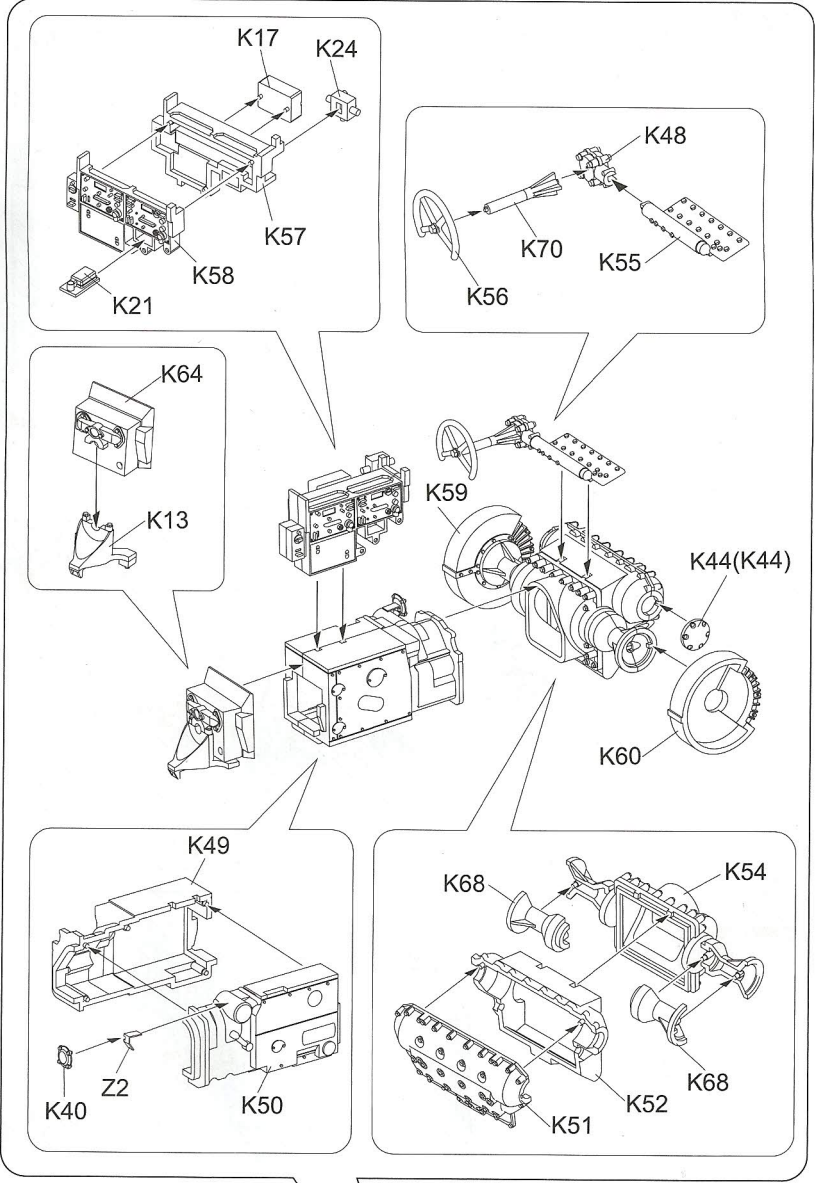
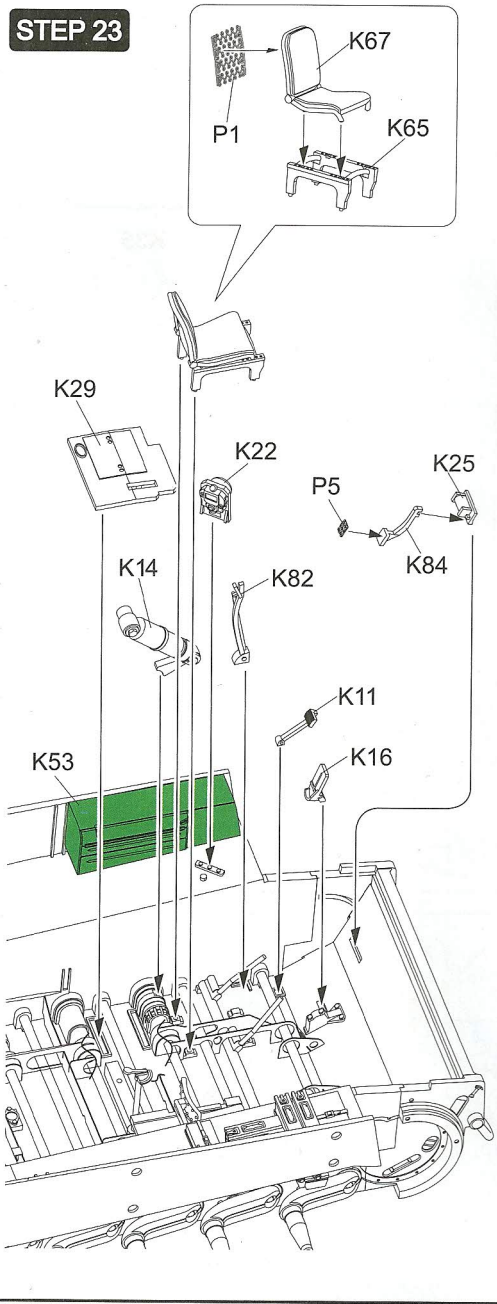
STEP 21



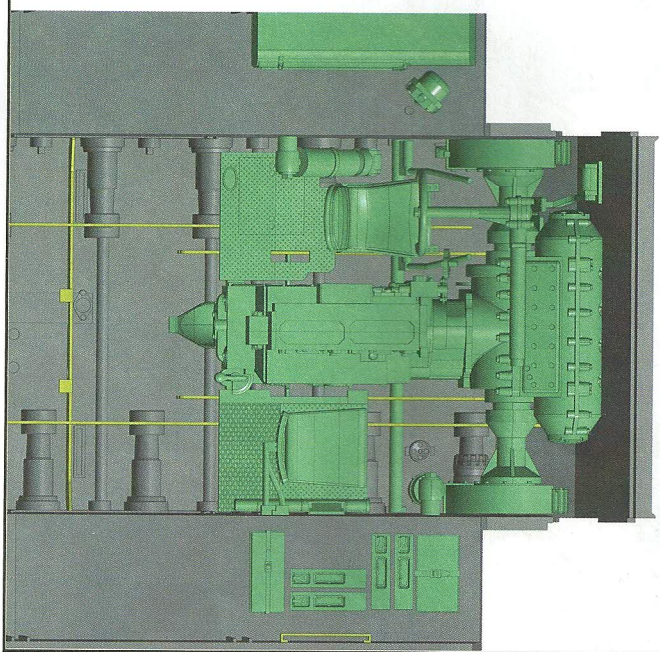
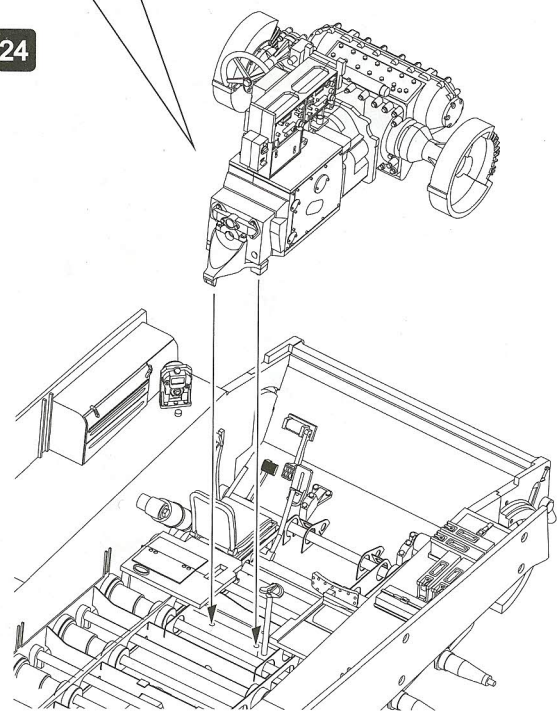
STEP 22



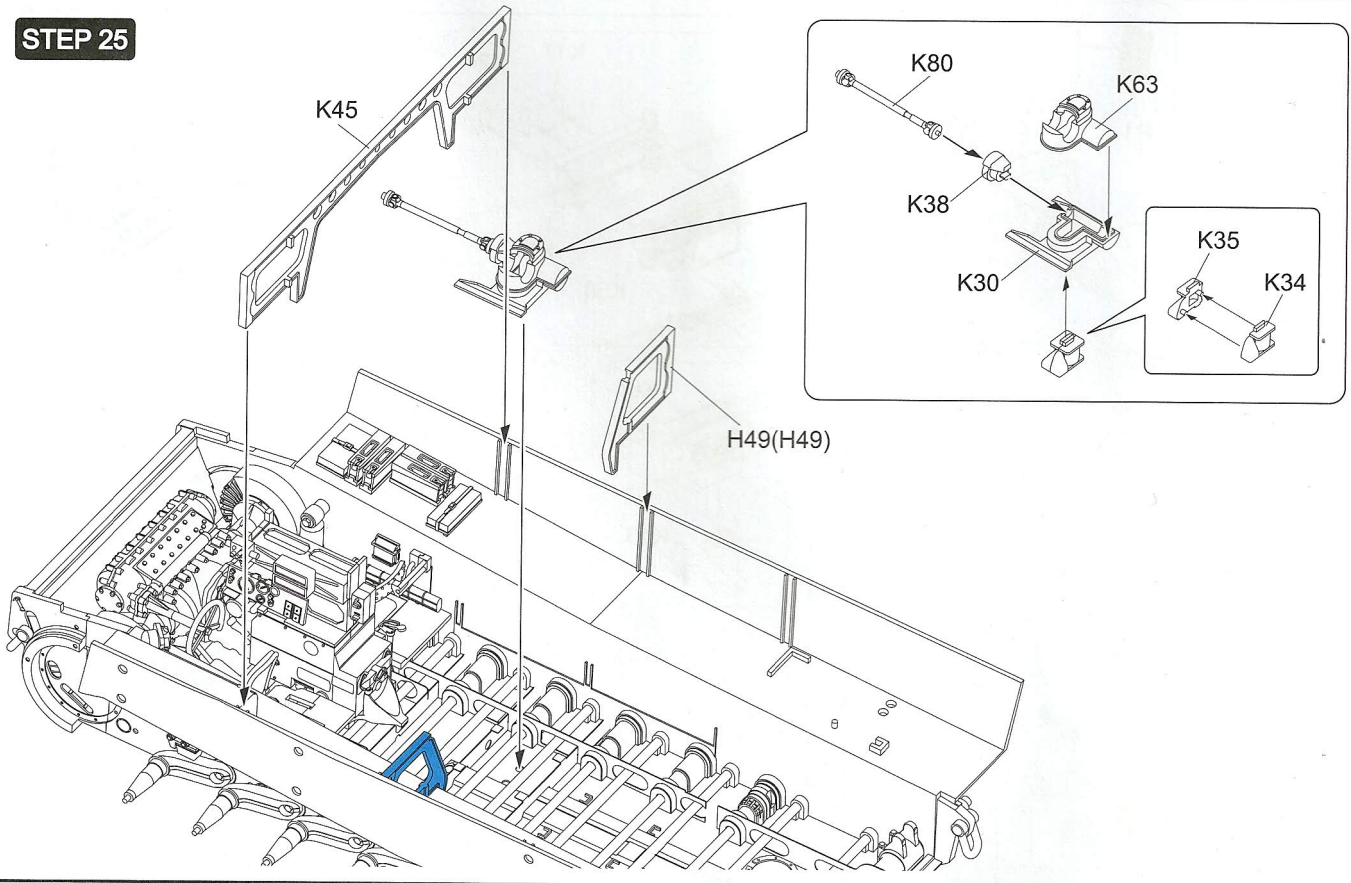
STEP 23



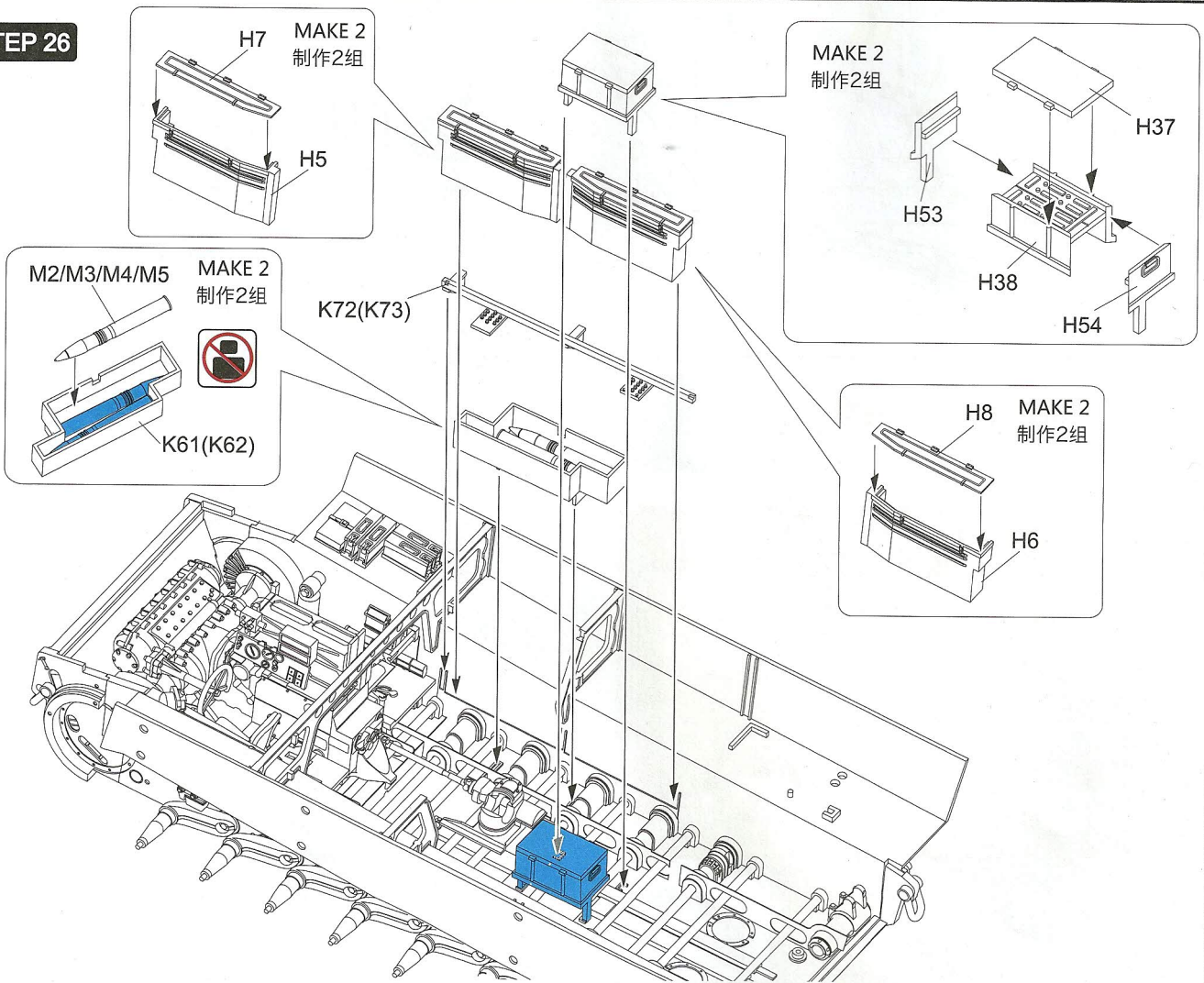
STEP 24



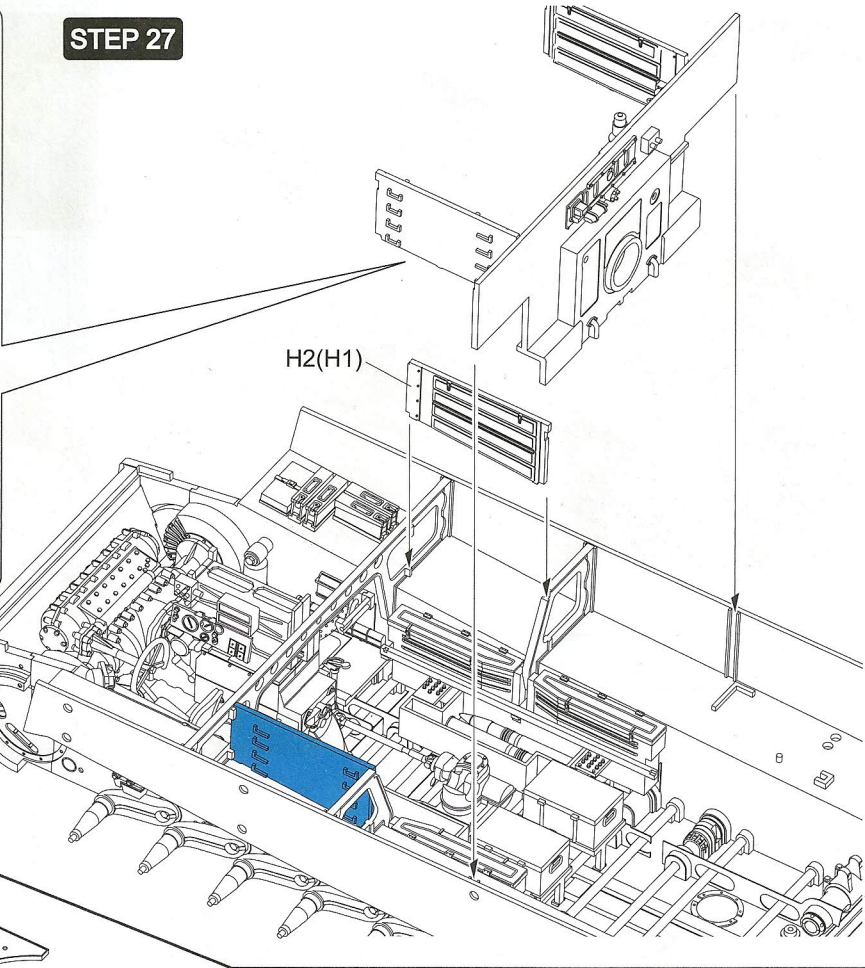
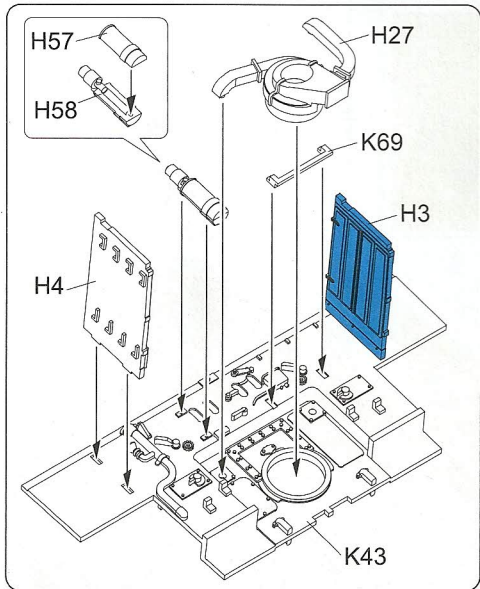
STEP 25



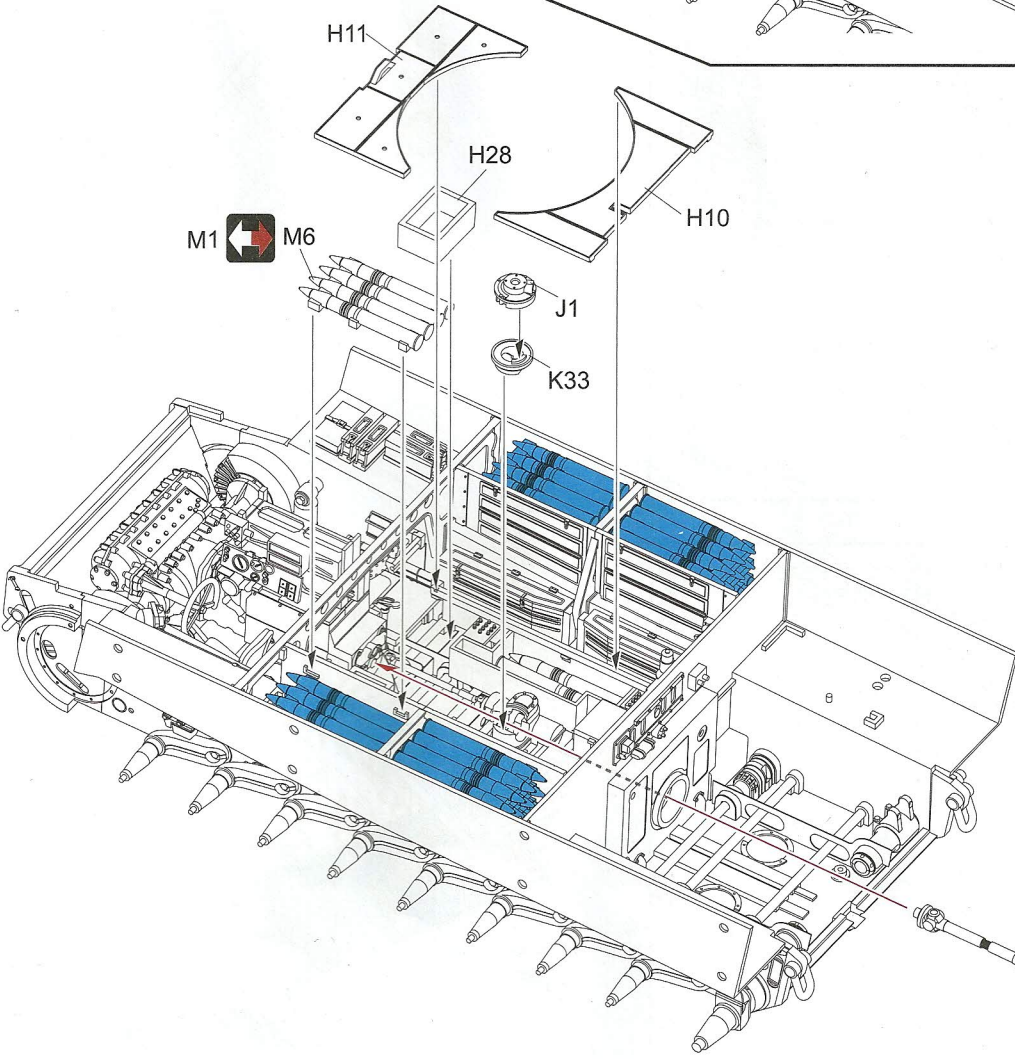
STEP 26



STEP 27



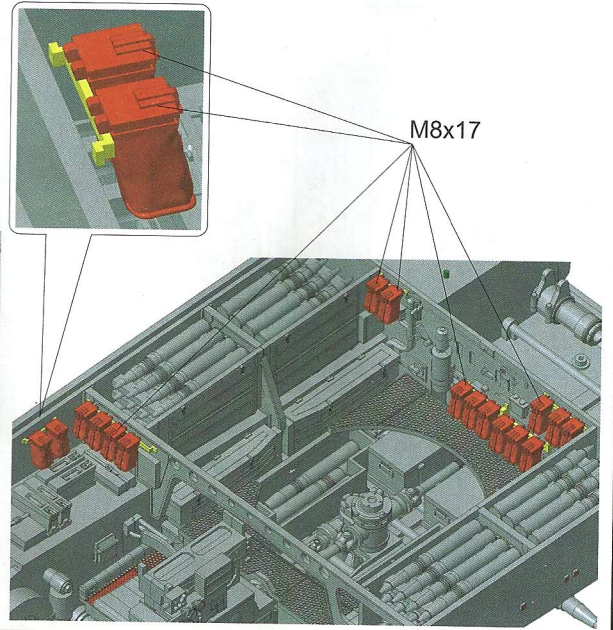
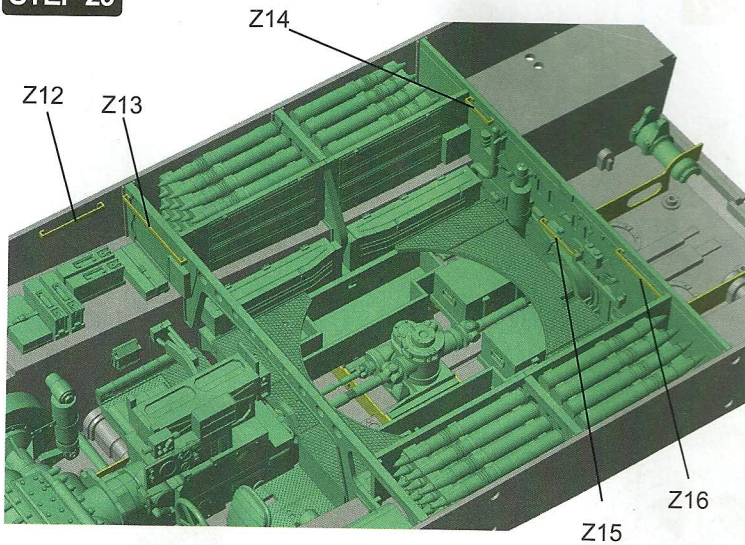
STEP 28



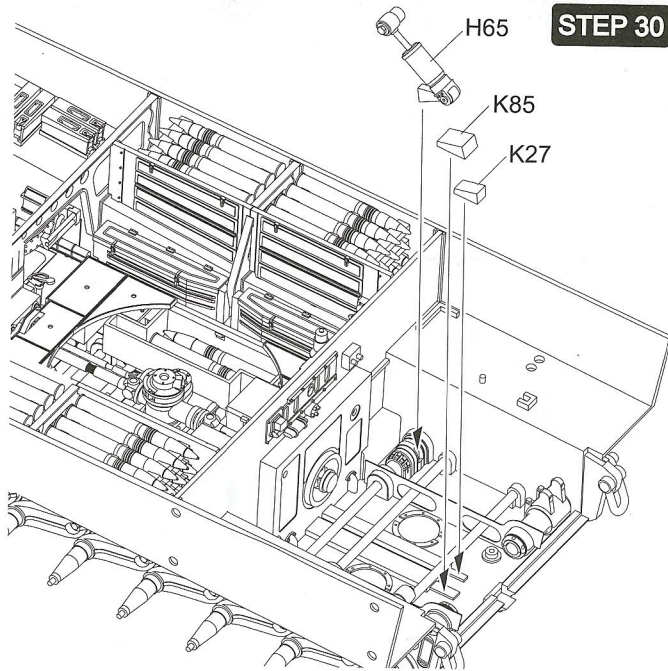
Please assembly the K74 part first.
请优先组装K74

K74

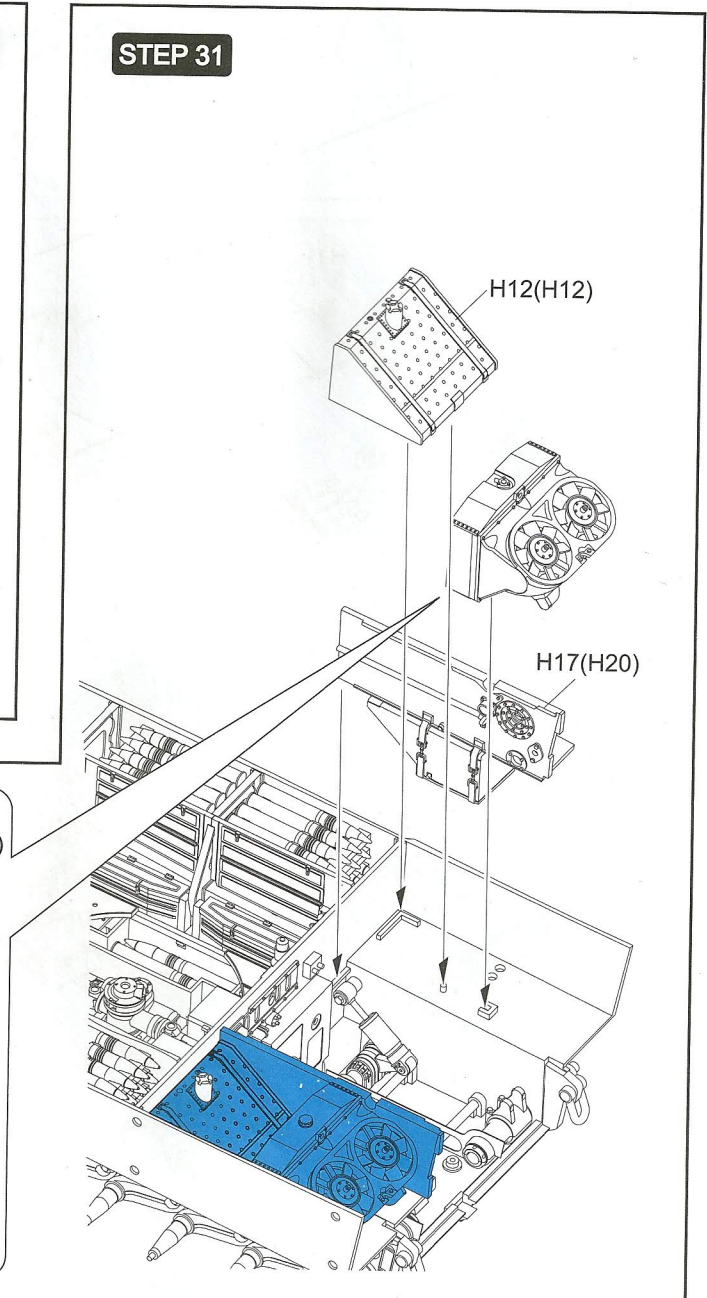
STEP 29



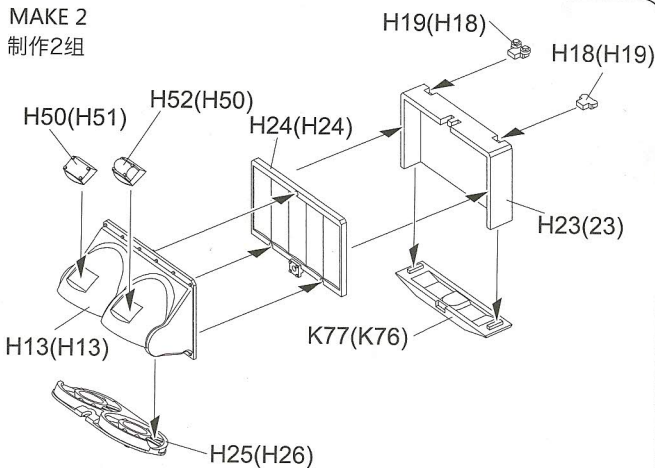
STEP 30

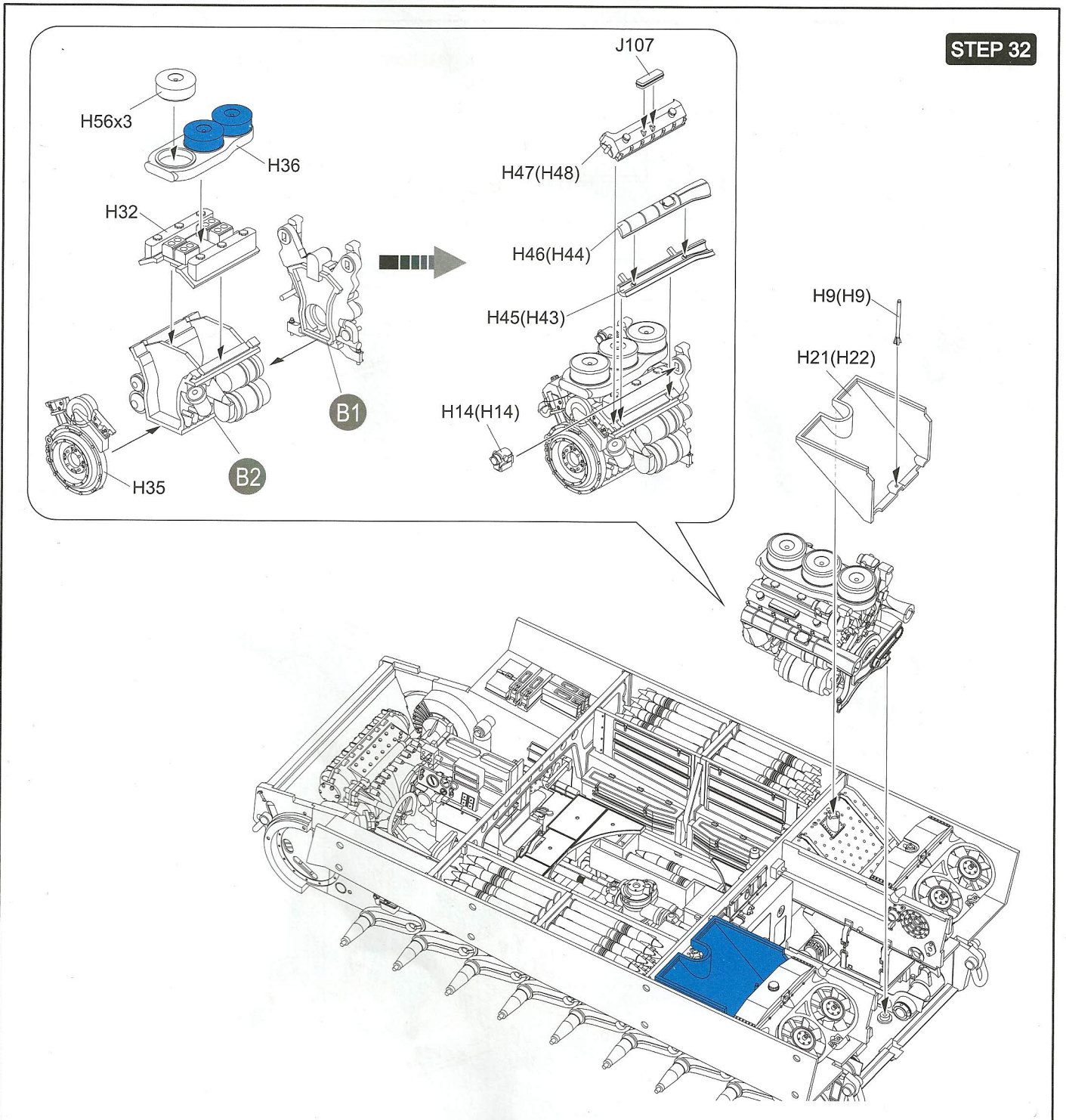
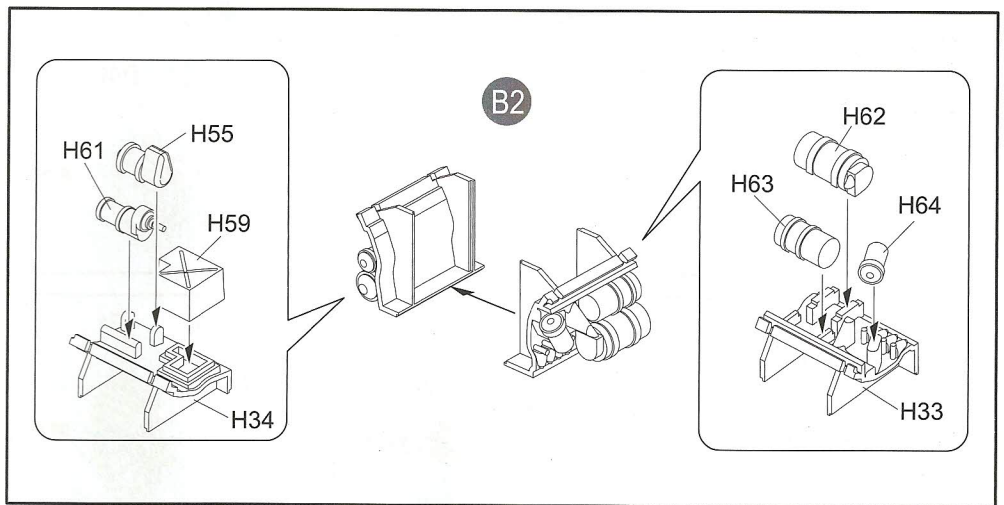
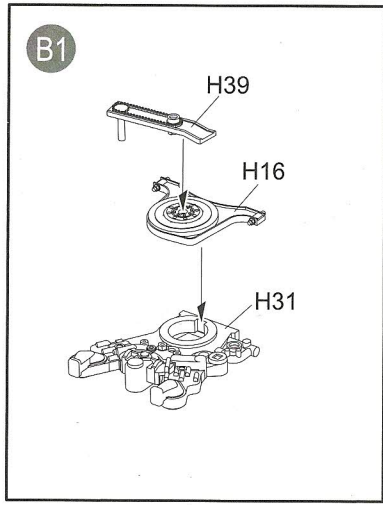


STEP 31



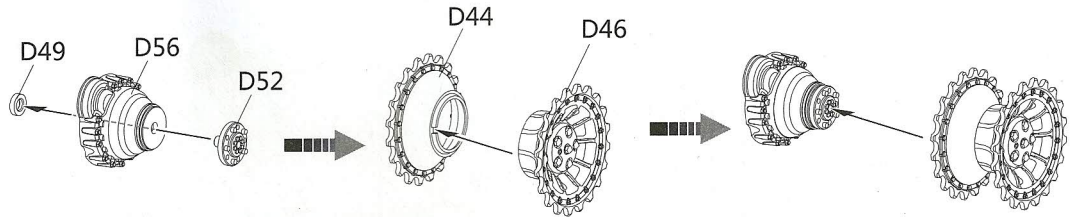
MAKE 2
制作2组





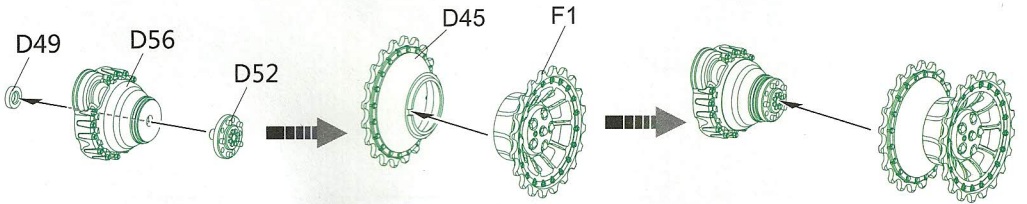
STEP 33

Make 2
制作2组

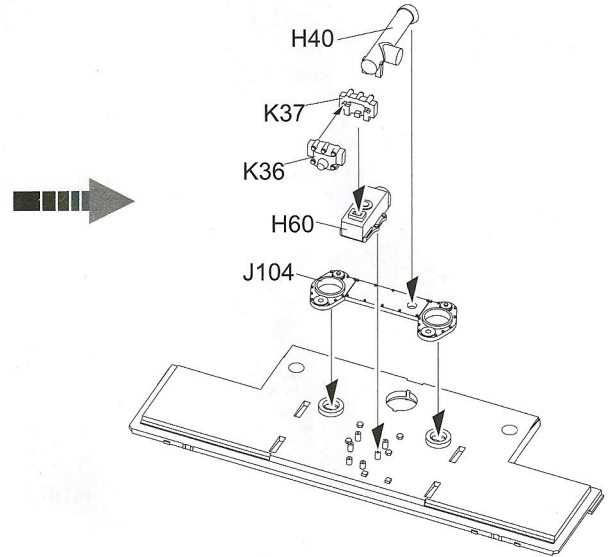
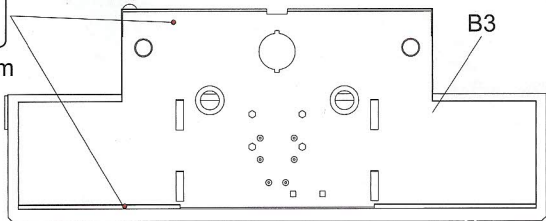
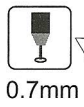


Apply for the
NO.1331 use only
仅适用于NO.1331

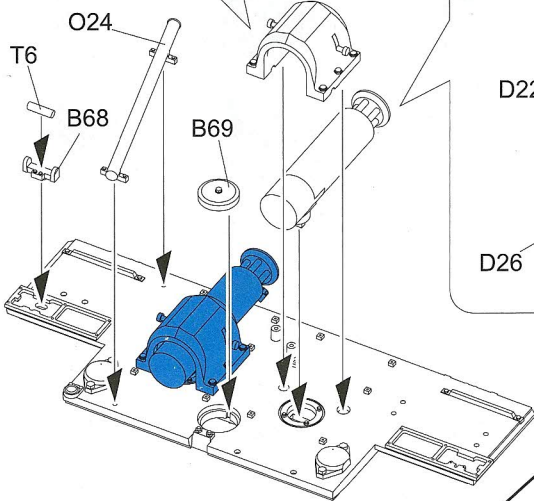
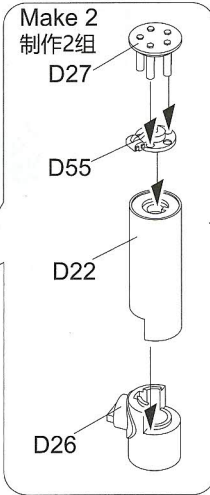
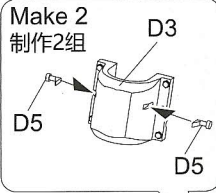
Make 2
制作2组



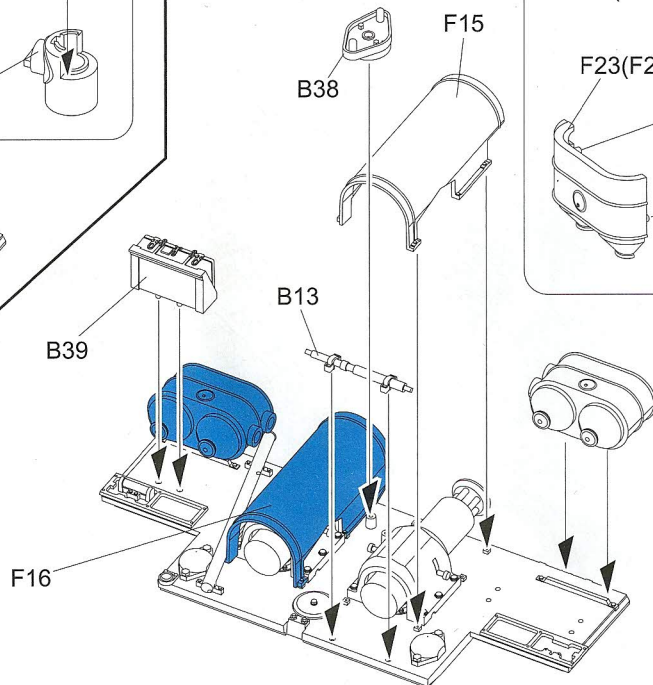
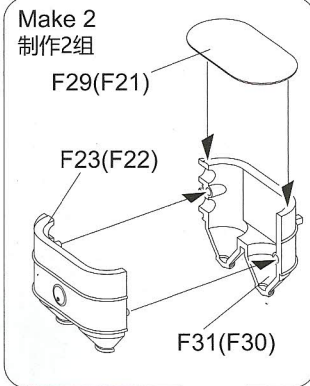
STEP 34



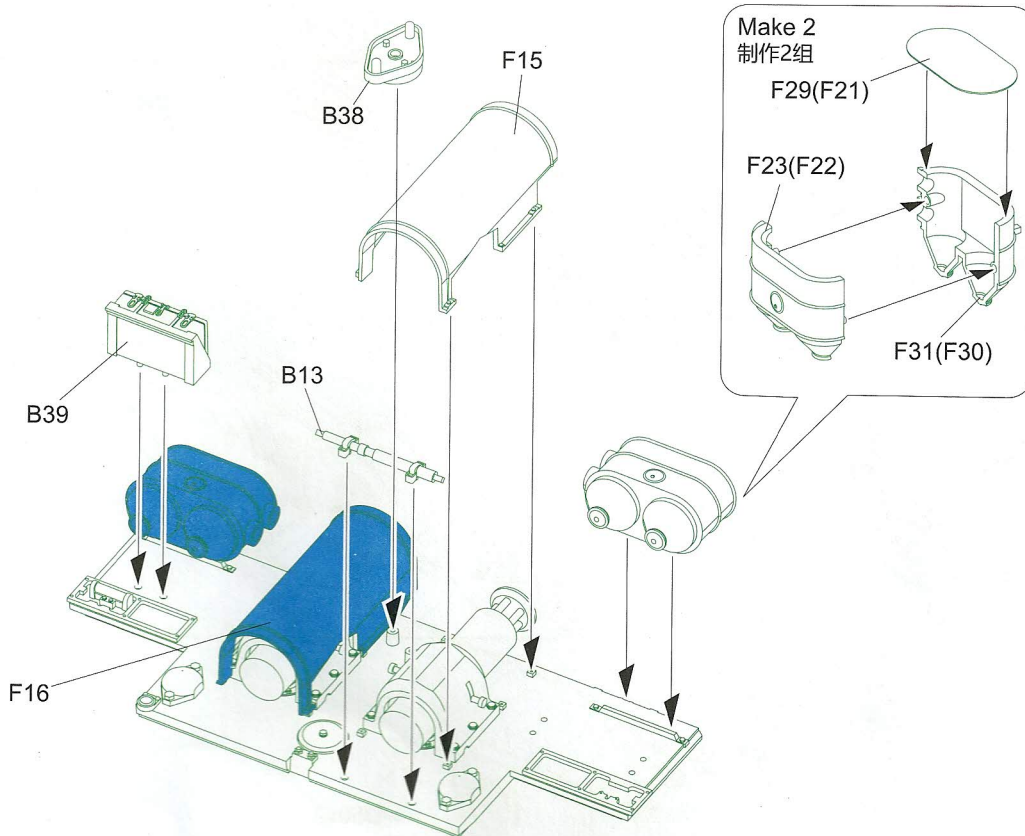
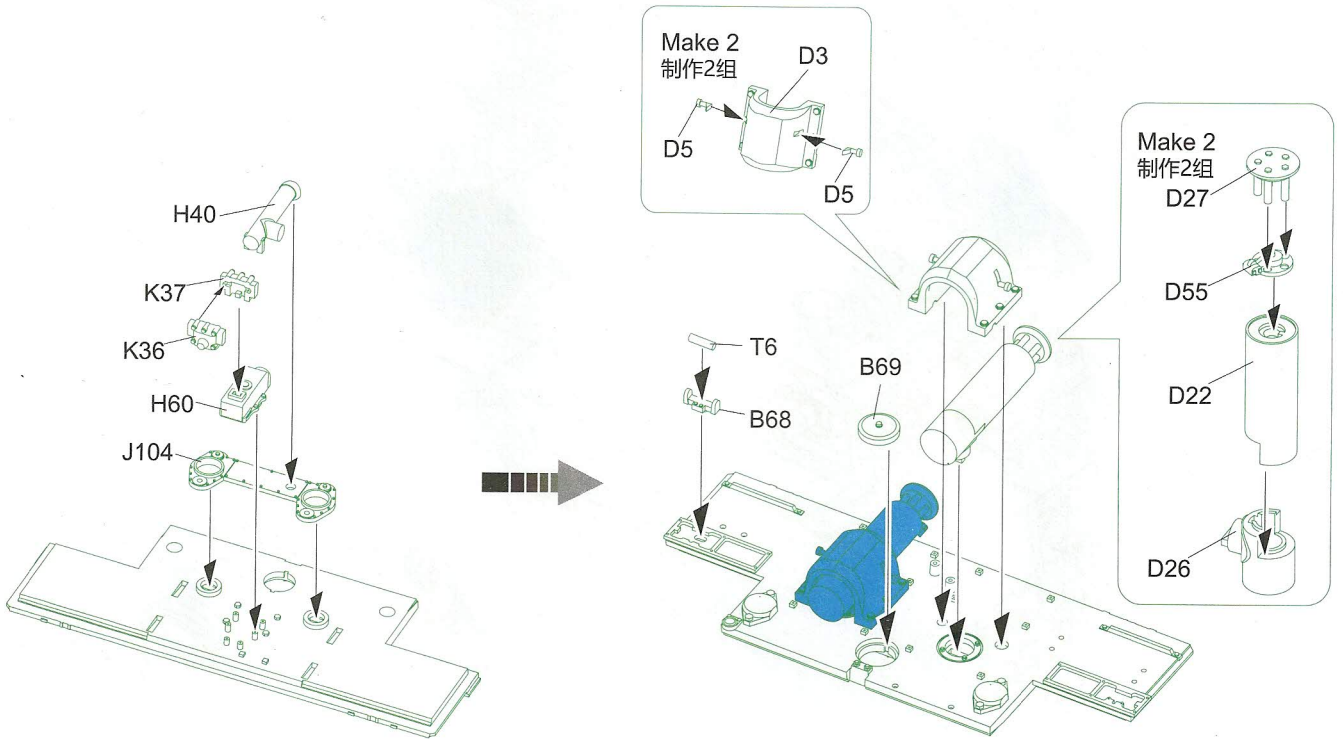
STEP 35



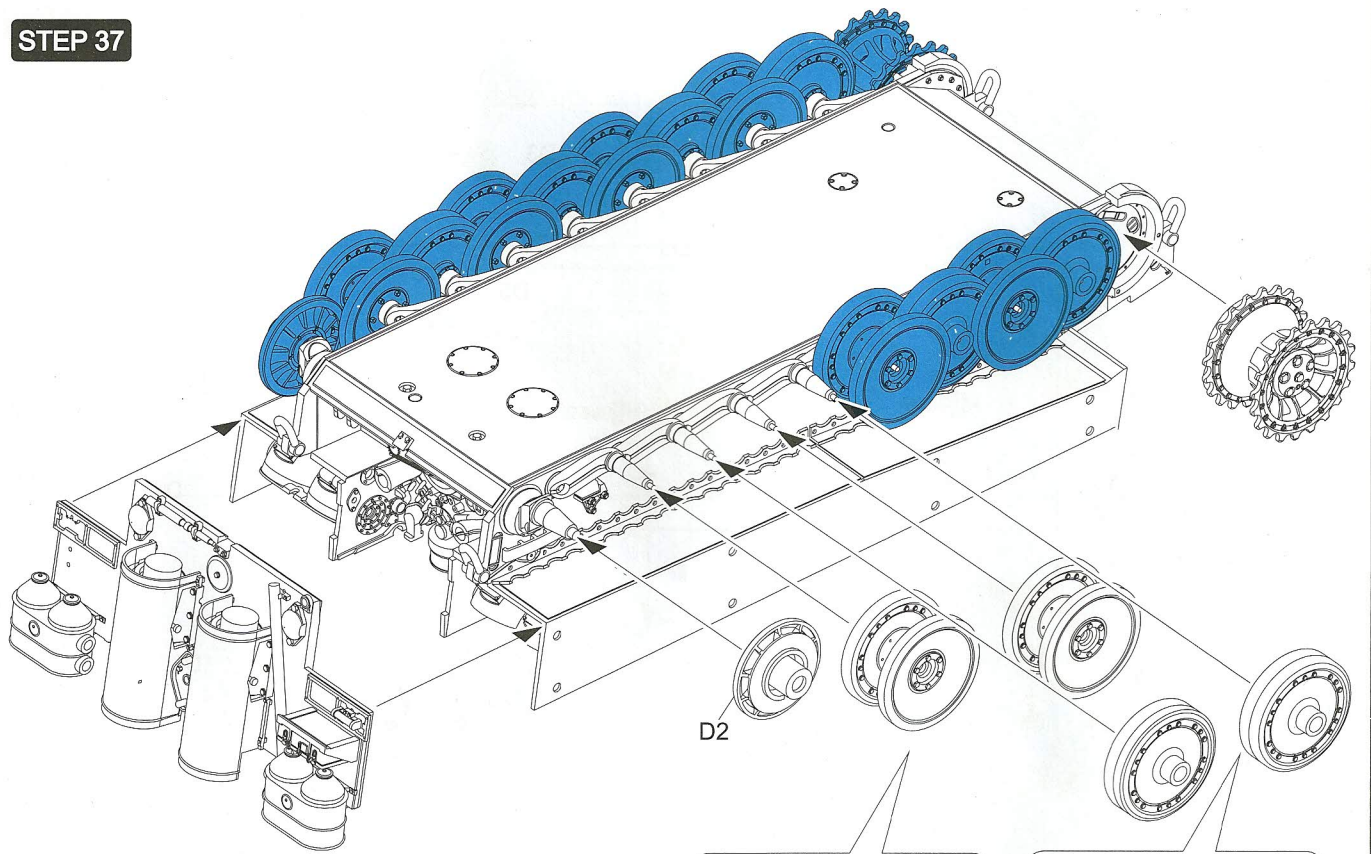
STEP 36



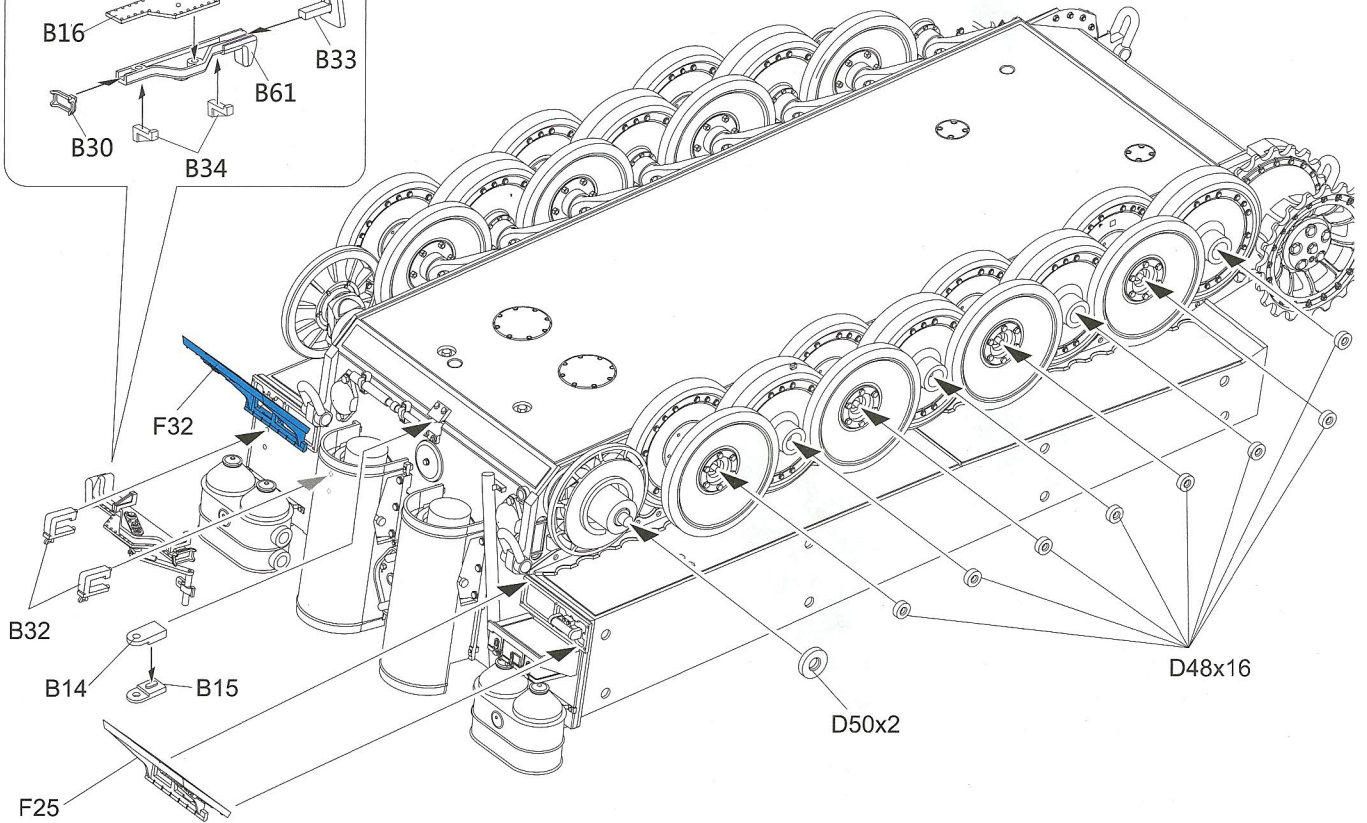
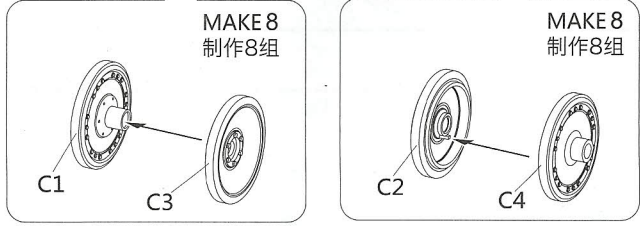
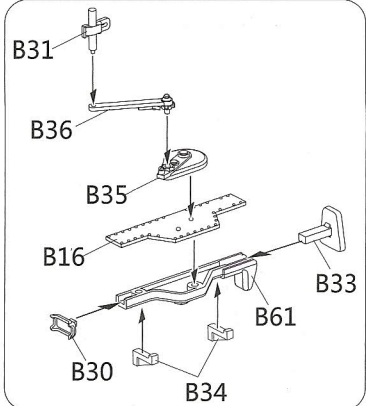
Apply for the NO.1331 use only
仅适用于NO.1331



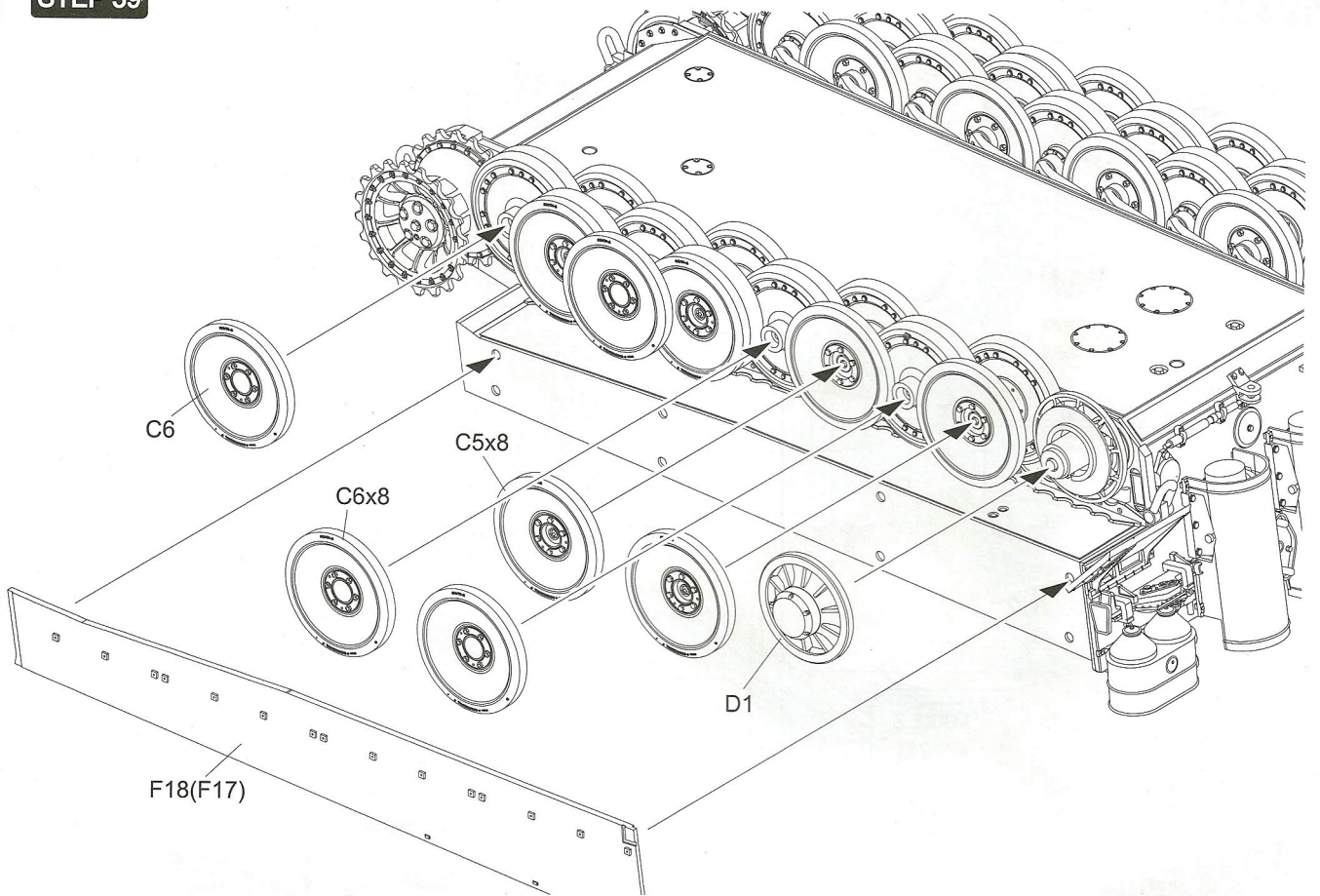
STEP 37



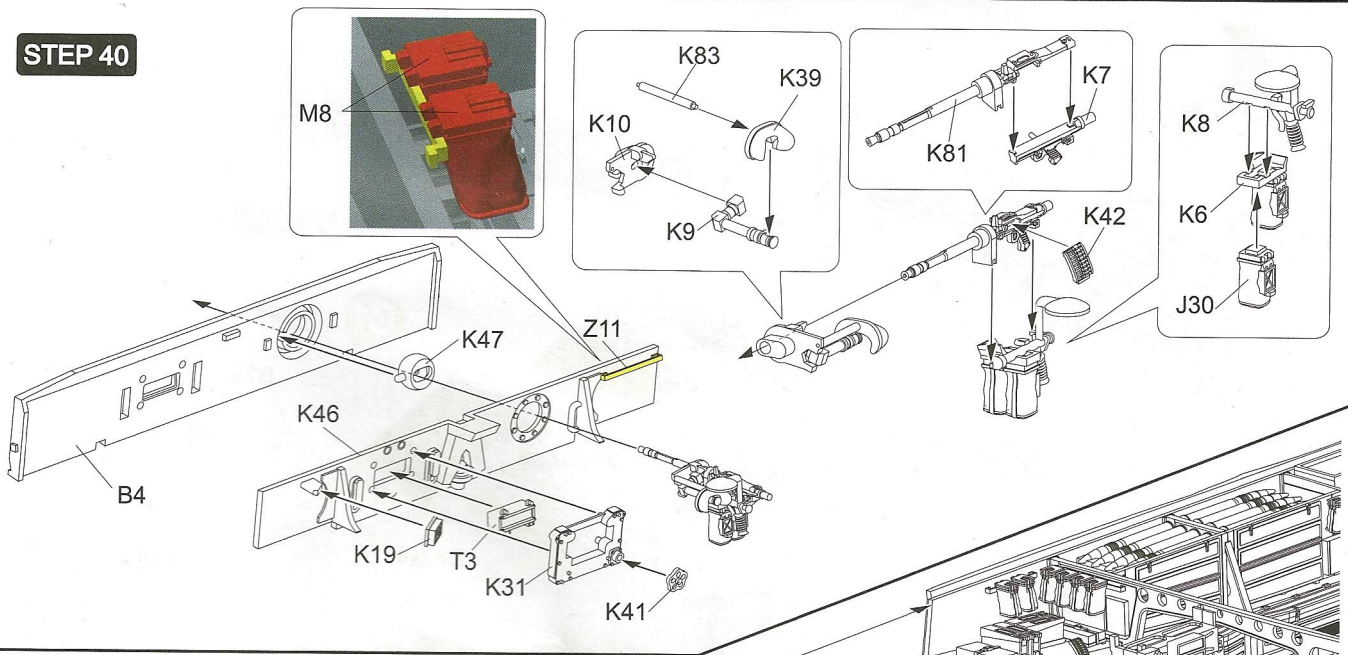
STEP 38



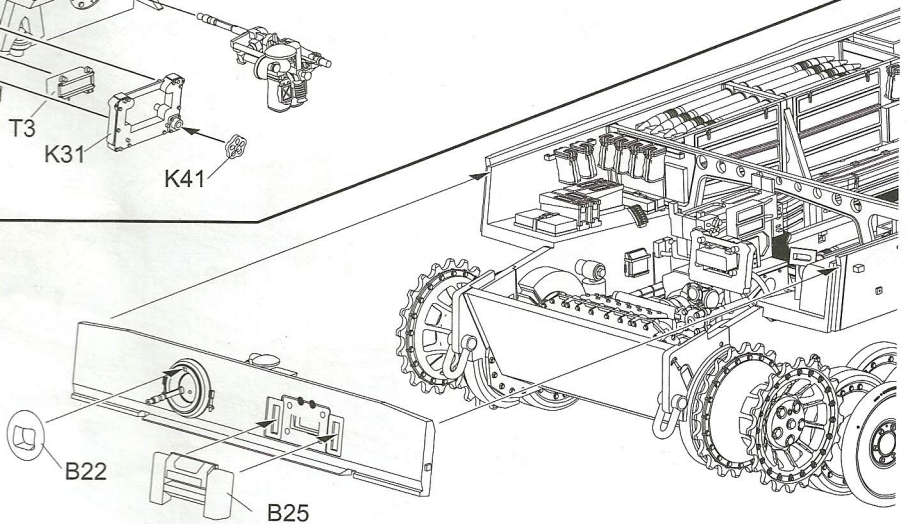
STEP 39



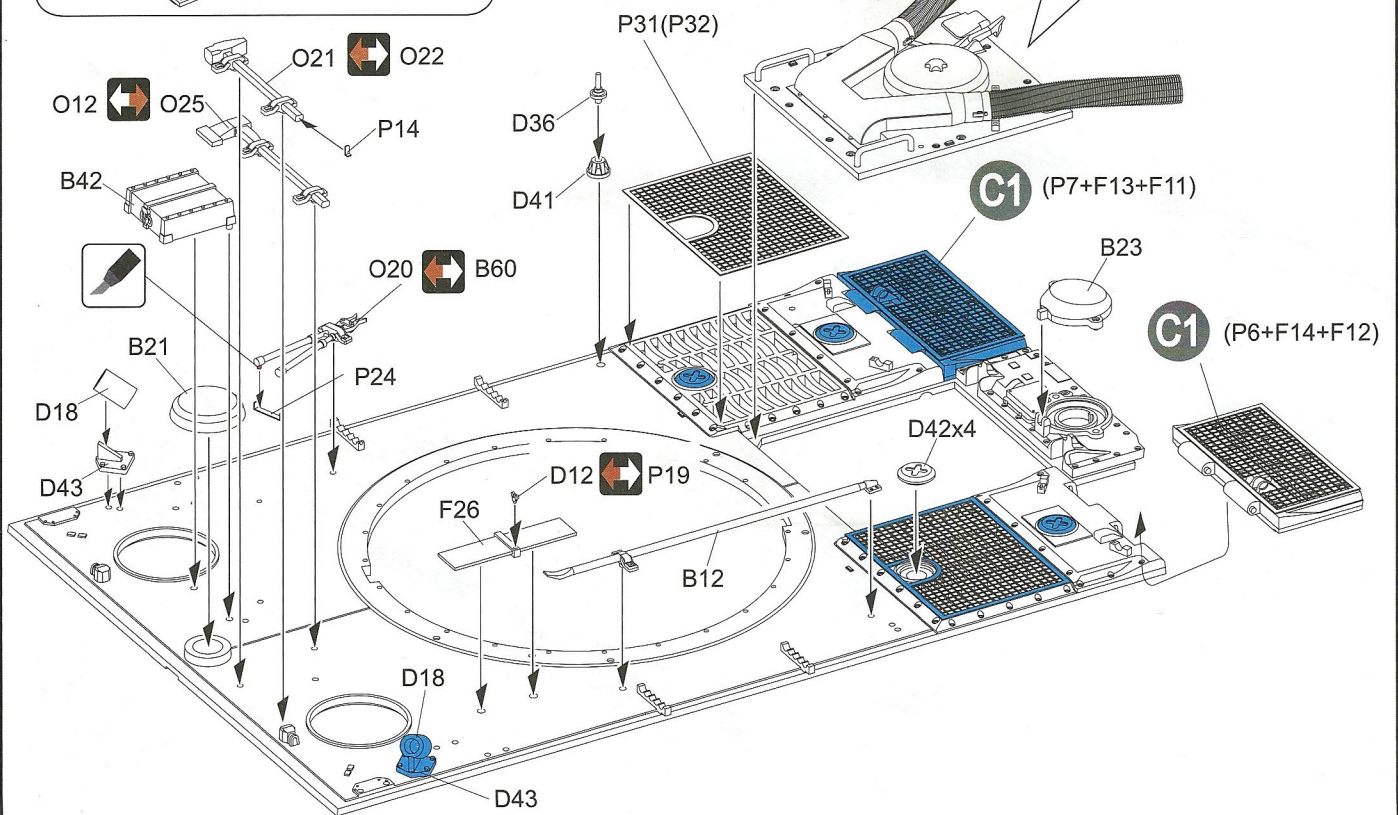
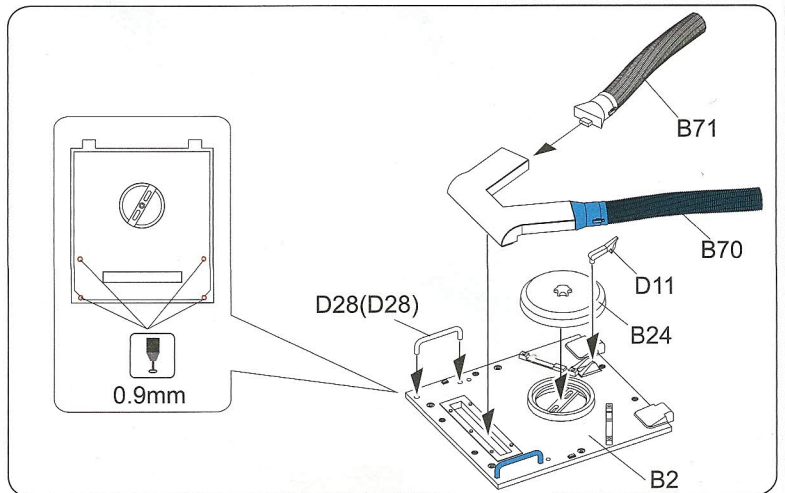
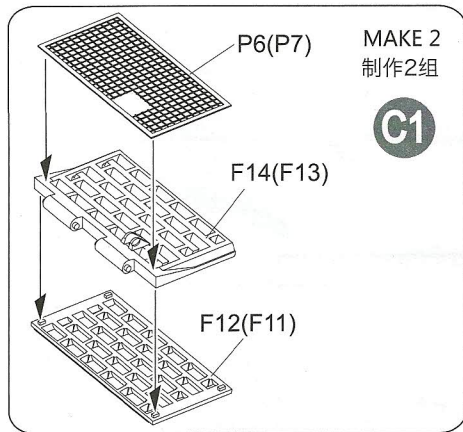
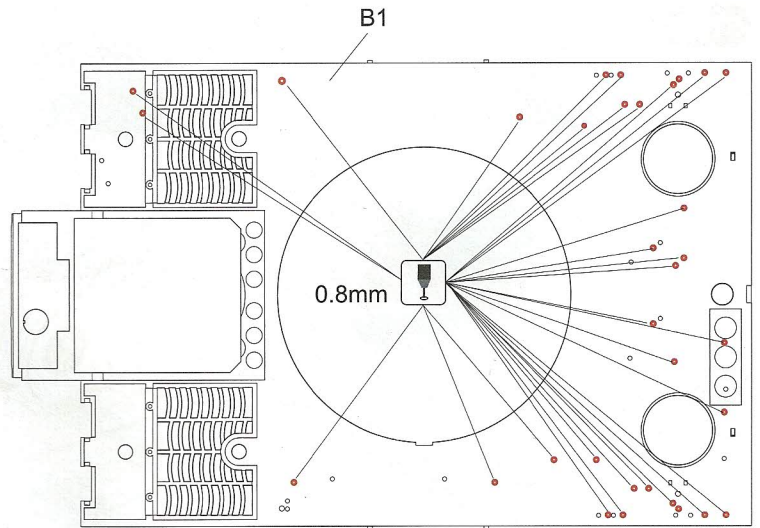
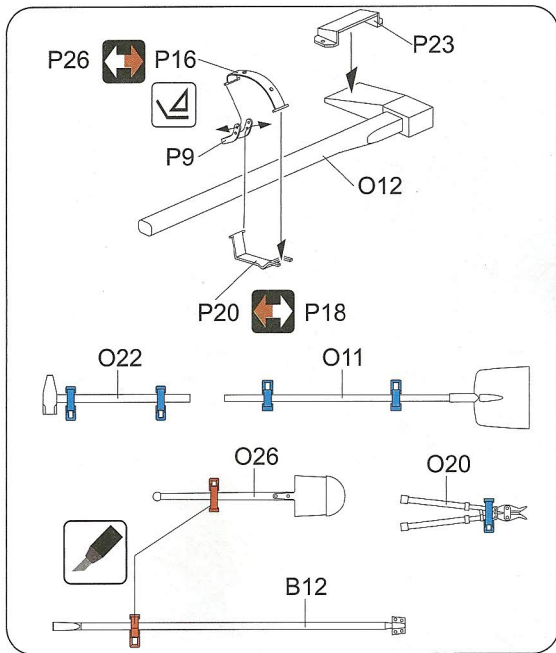
STEP 40



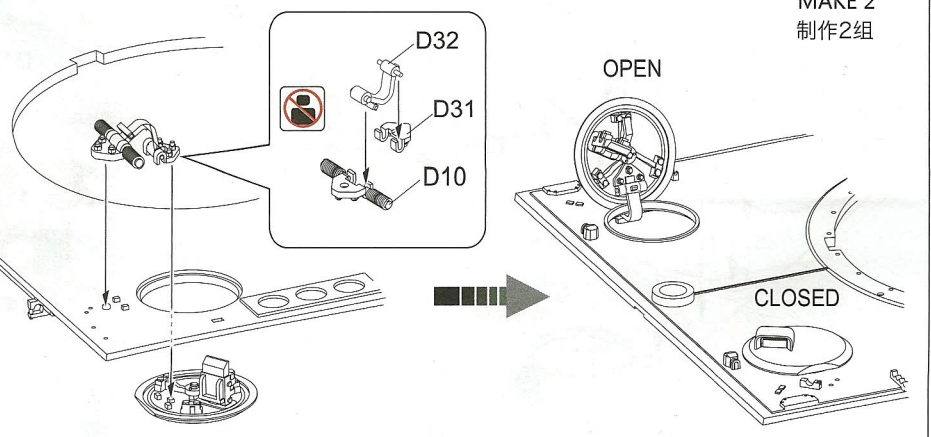
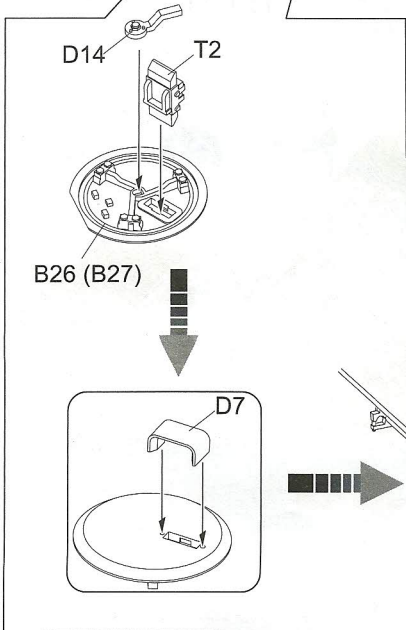
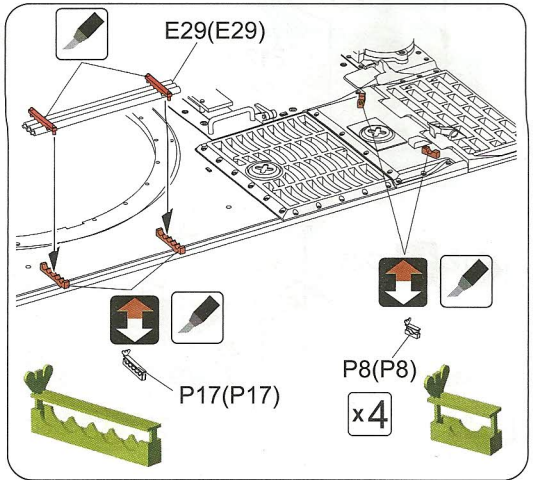
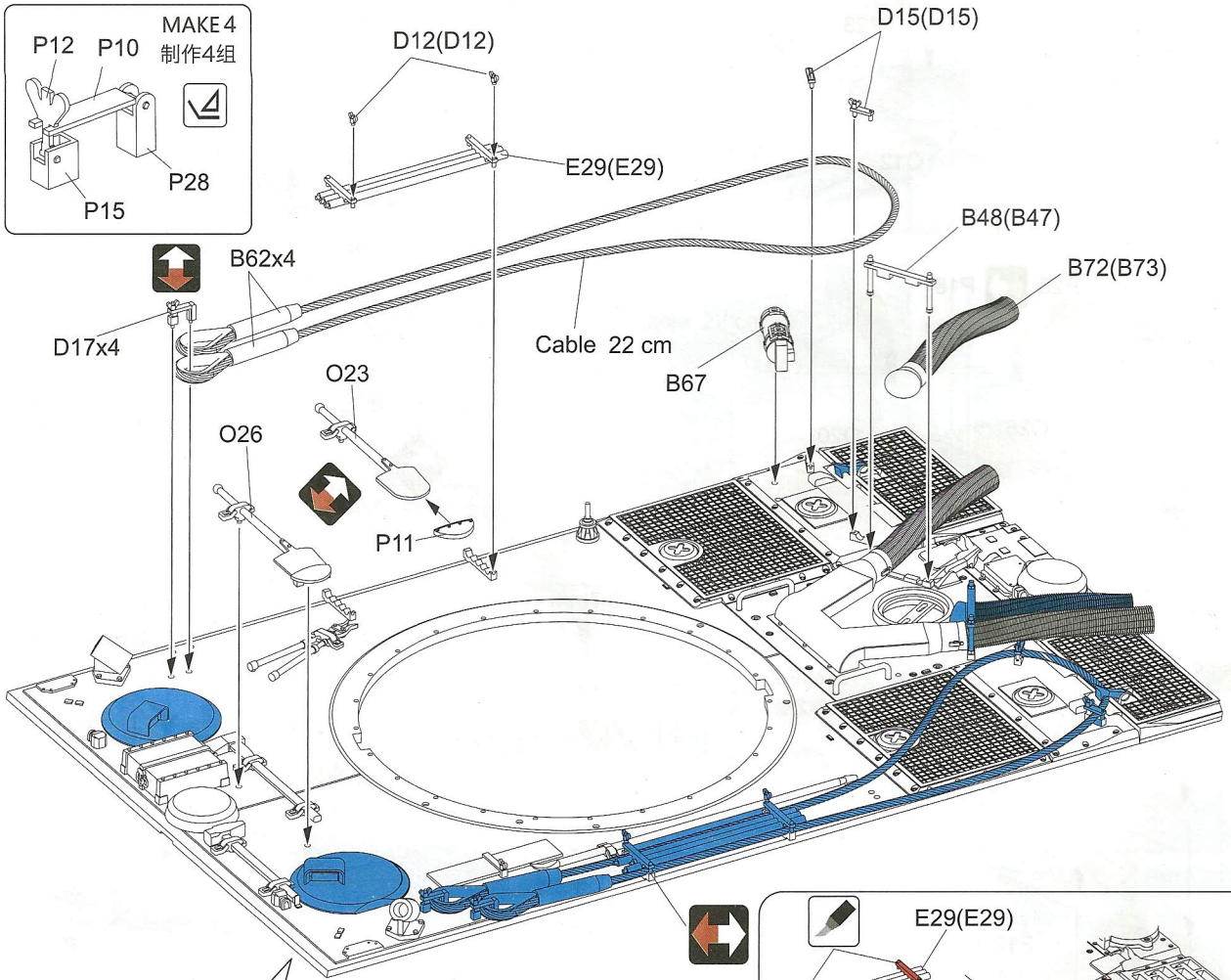
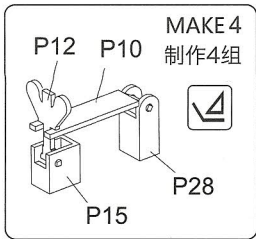
STEP 41



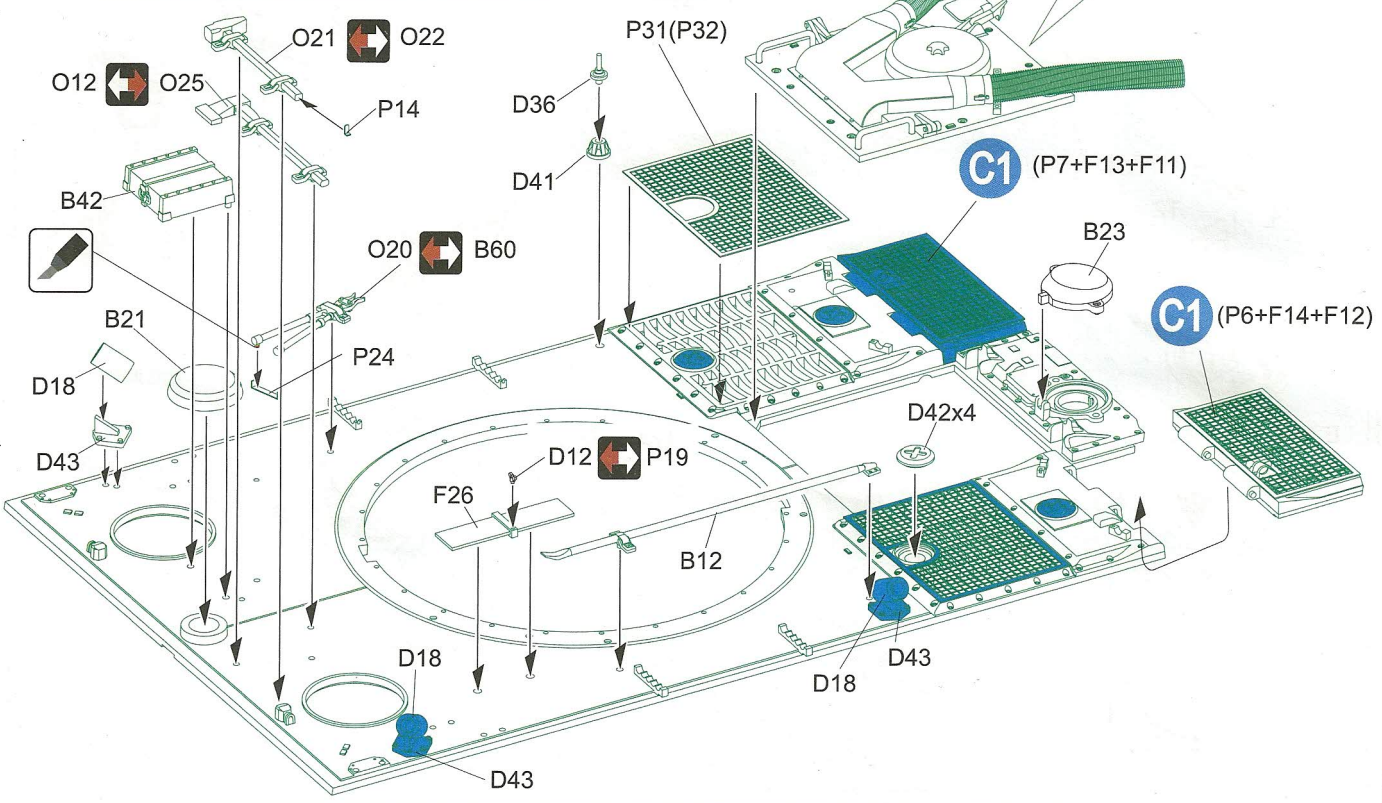
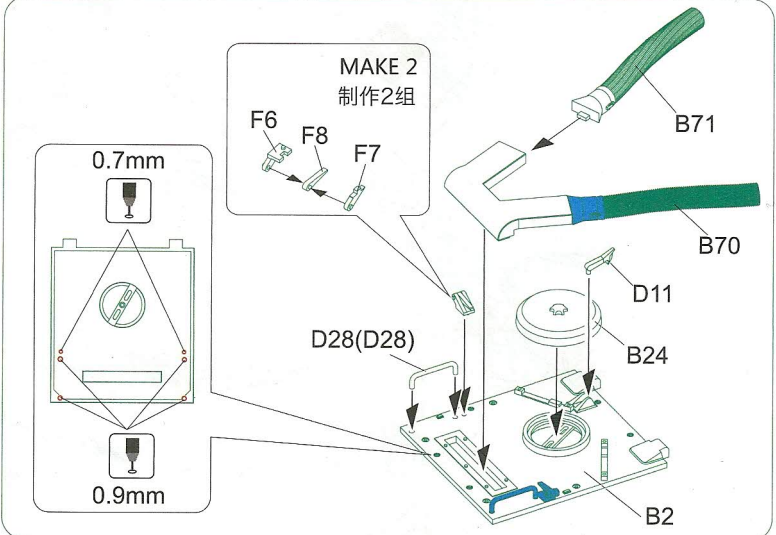
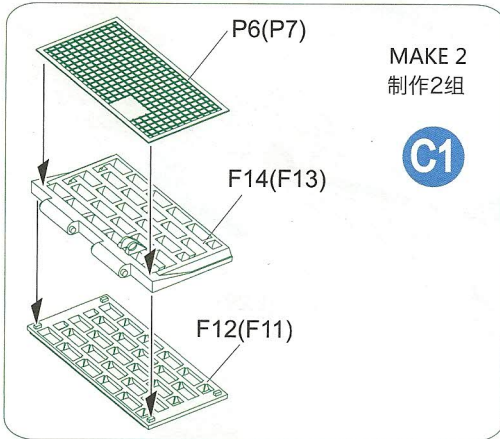
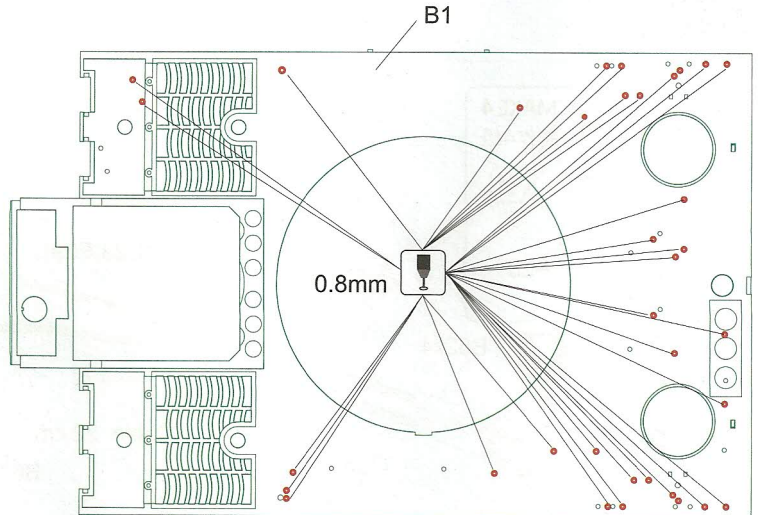
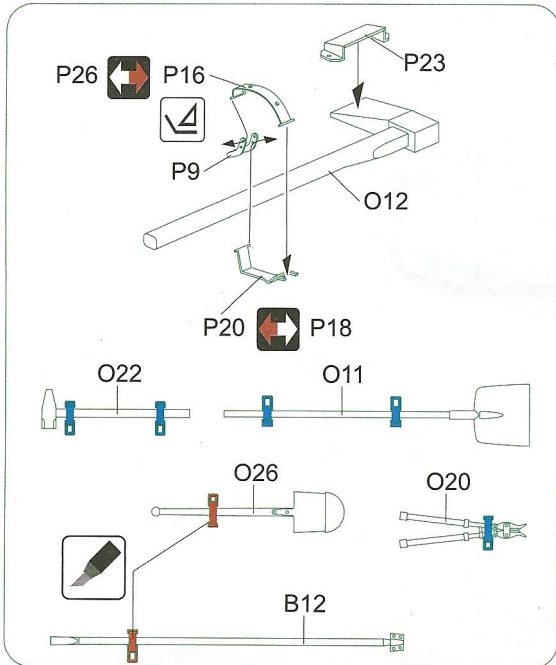
STEP 42

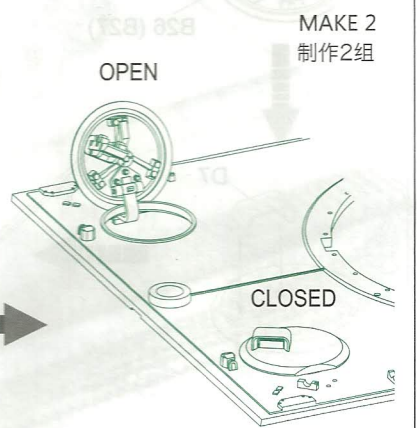
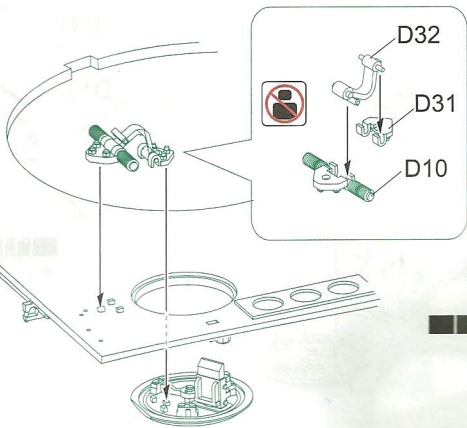
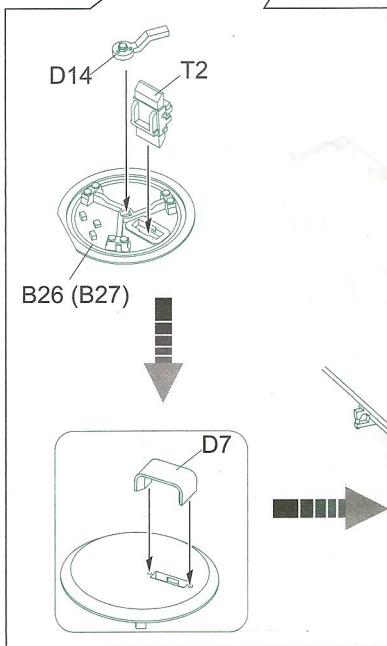
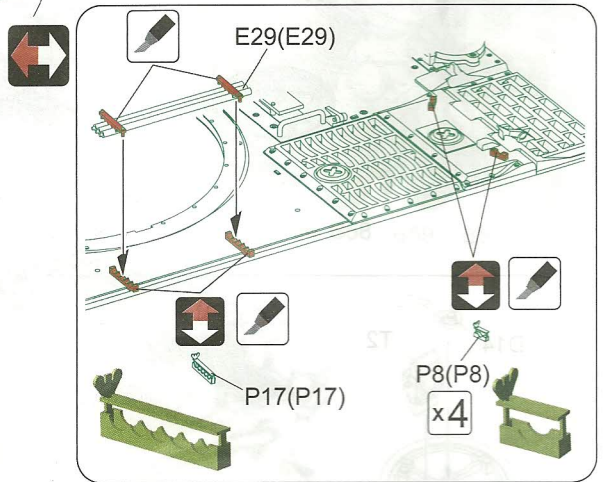
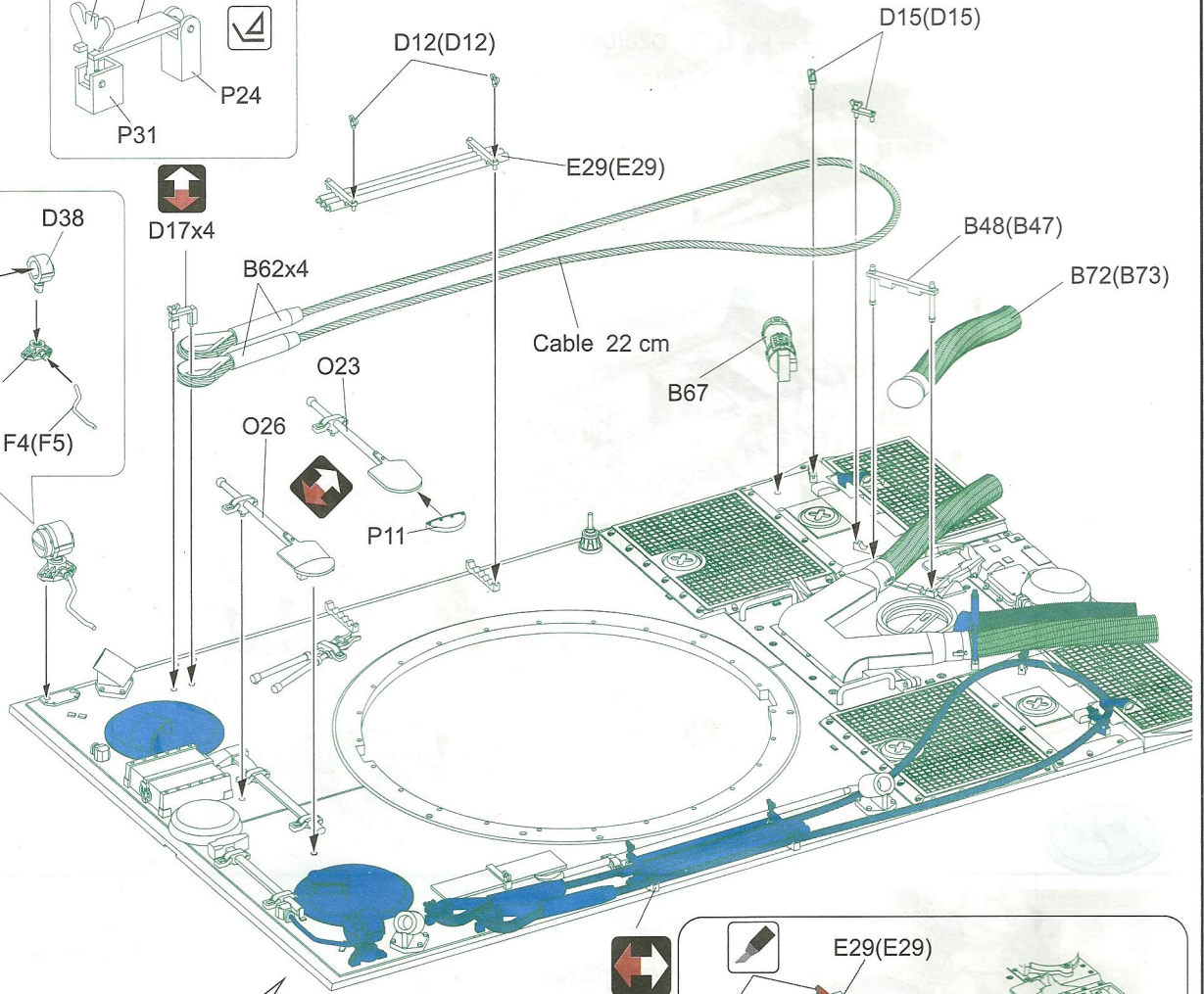
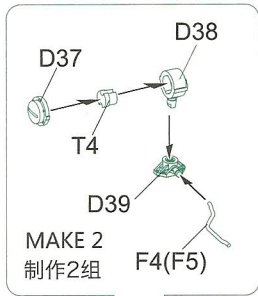
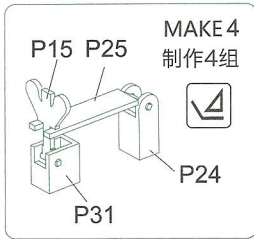


STEP 43



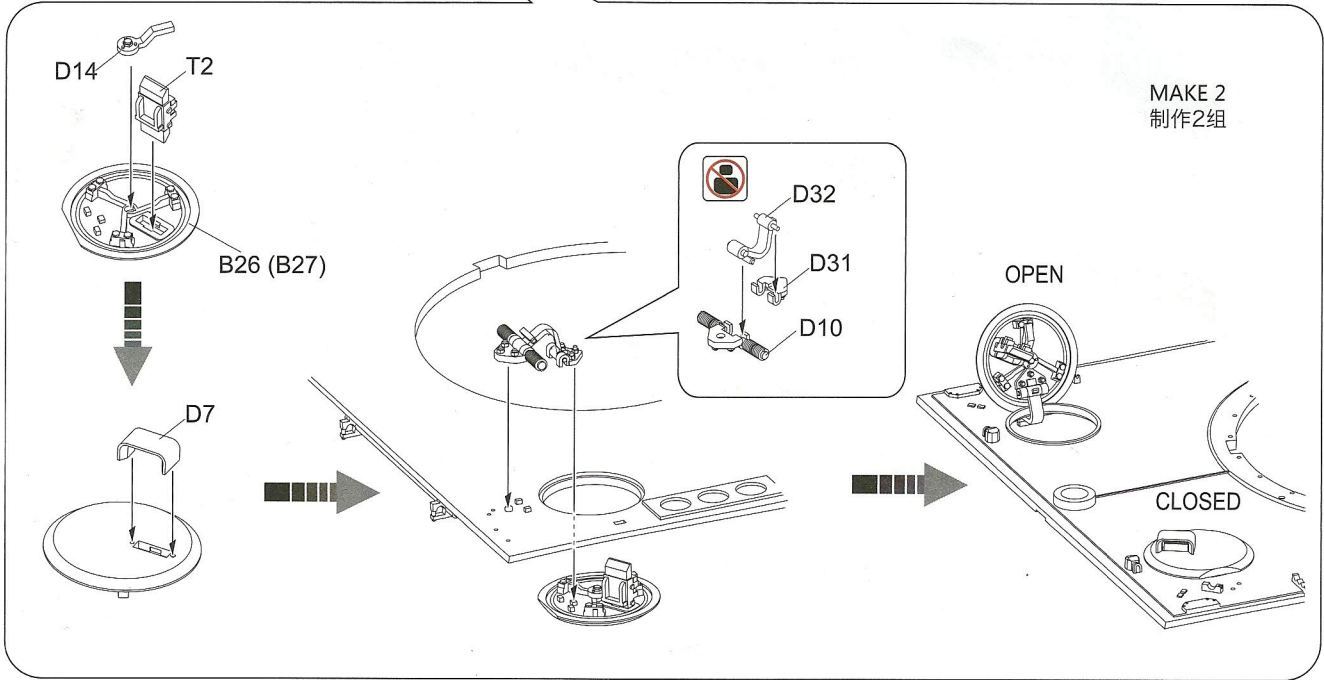
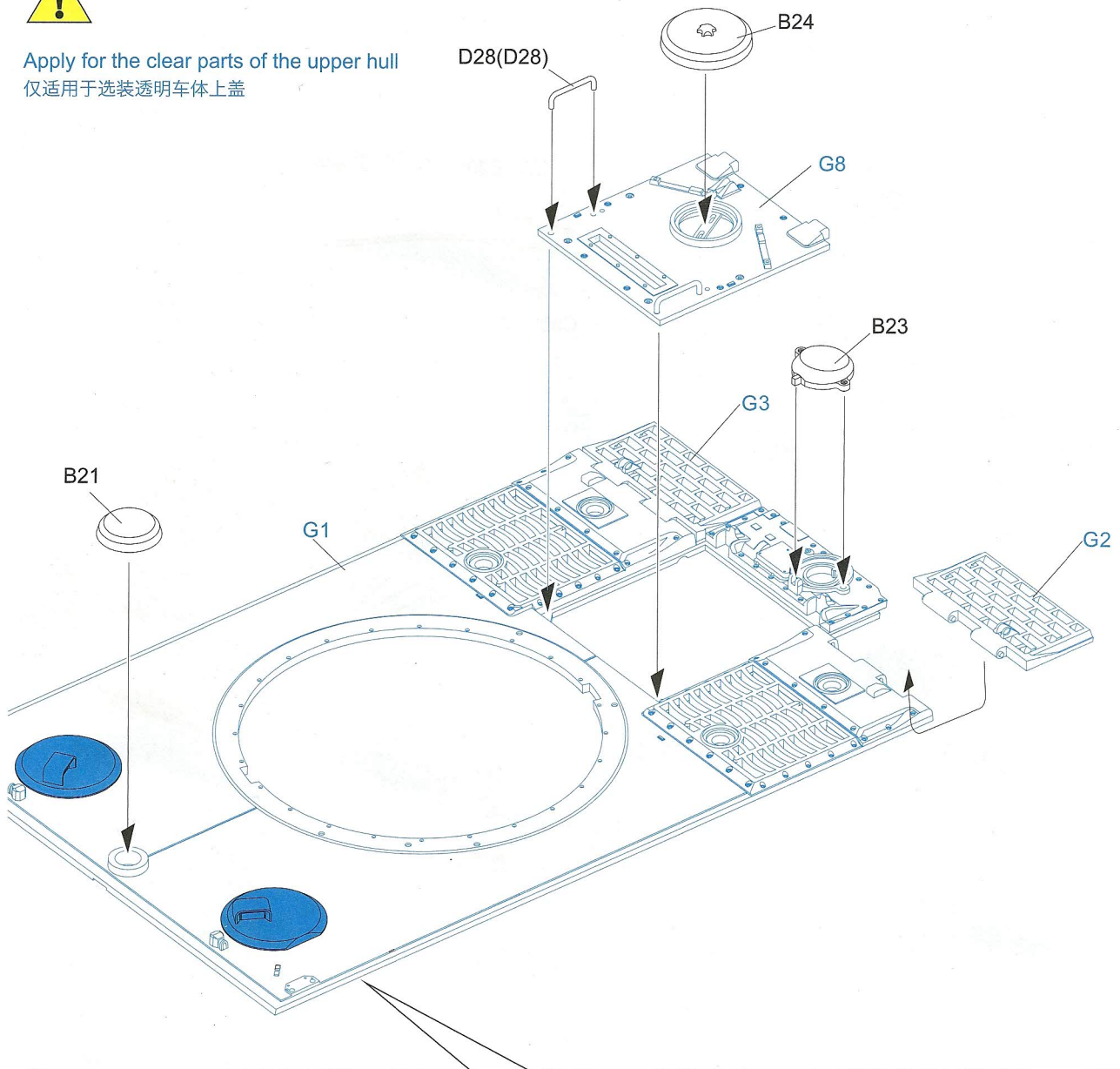
 Apply for the No.1331
 仅适用于No.1331



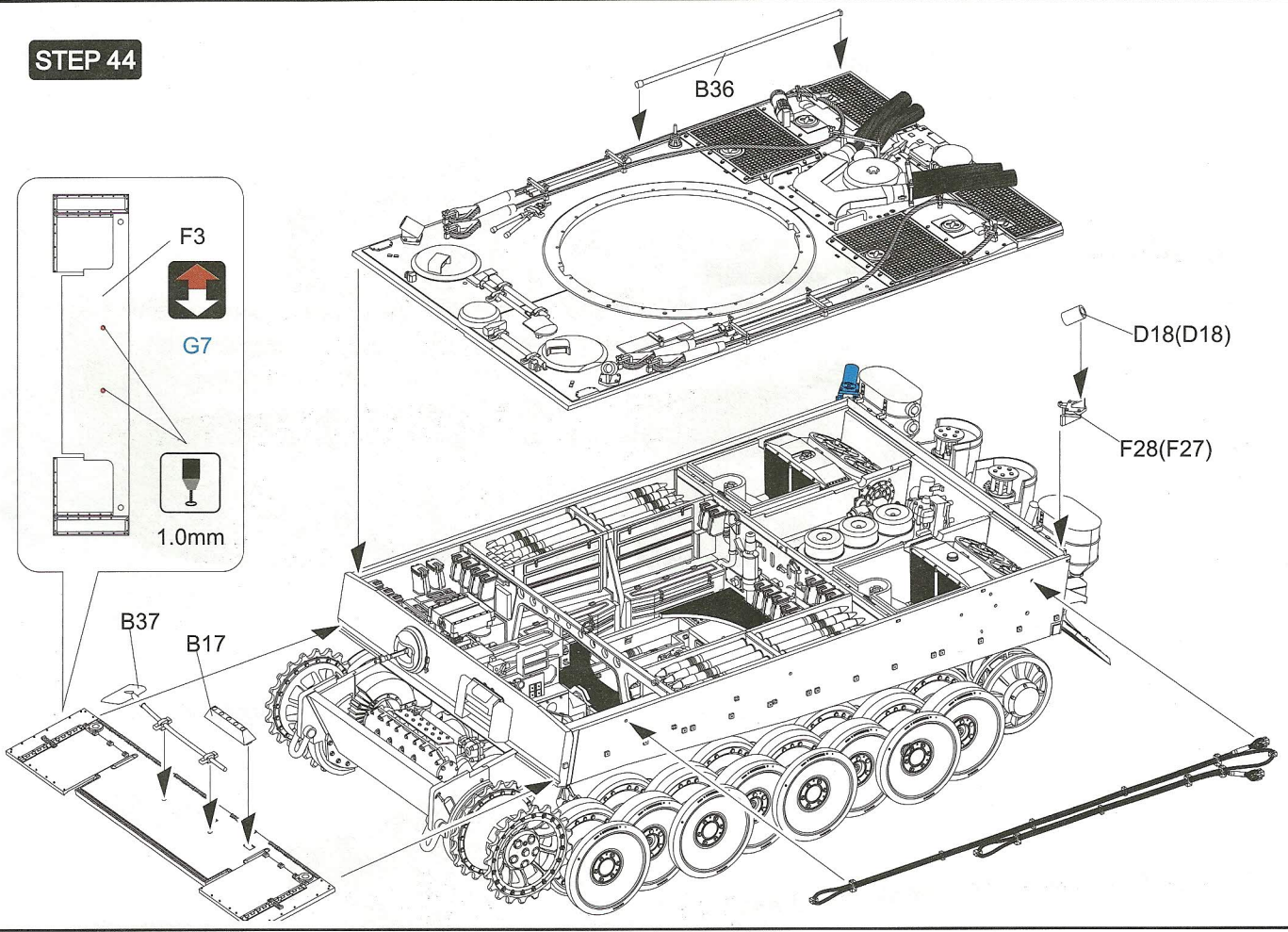




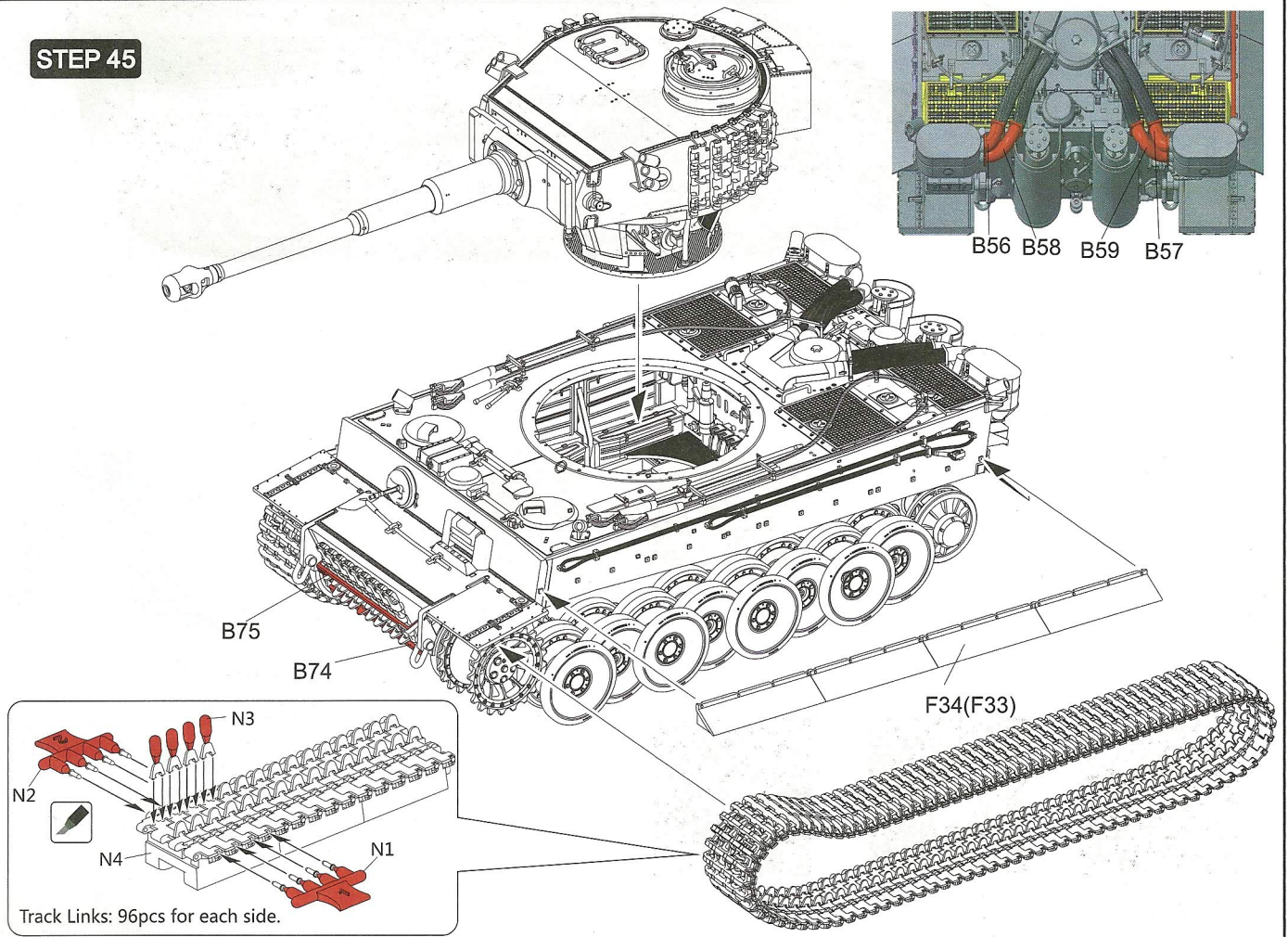
Apply for the clear parts of the upper hull
仅适用于选装透明车体上盖



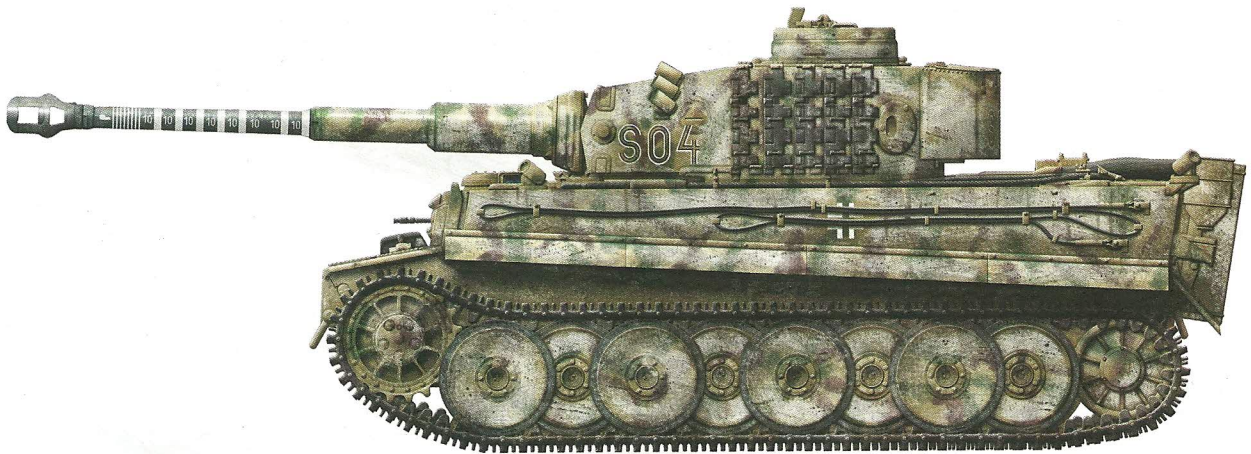
STEP 44



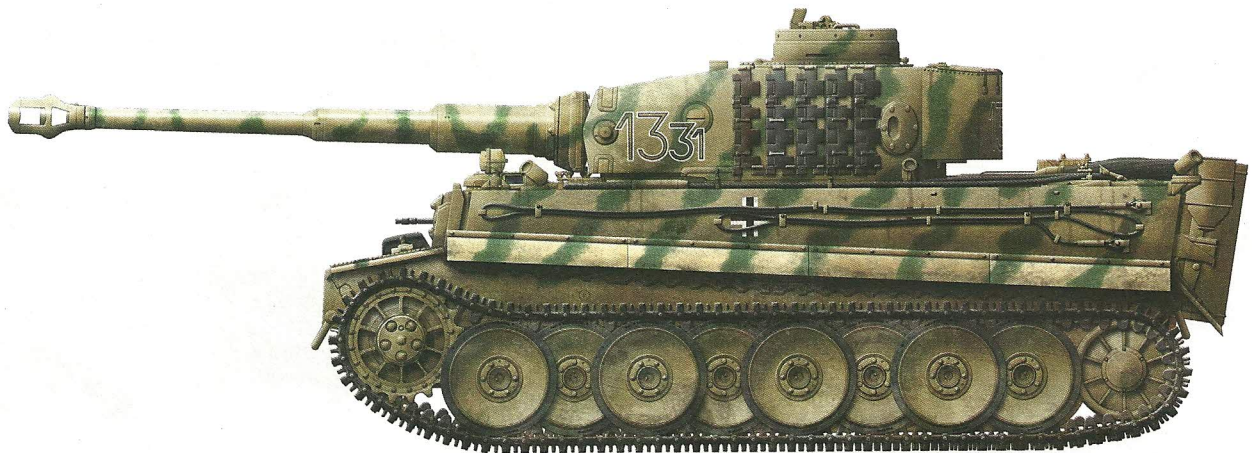
STEP 45



Wittmann's Tiger I No.S04, sPzAbt 101, Russia, January 1944.



Wittmann's Tiger I No.1331, 1st SS Panzer Division Leibstandarte, 1943



RFM
RYEFIELD MODEL®



FACEBOOK



微信公众号



微博

RYEFIELD MODELS (HK) CO., LTD.
香港麦田模型玩具有限公司

Business / 业务与合作: rfm@ryefield-model.com

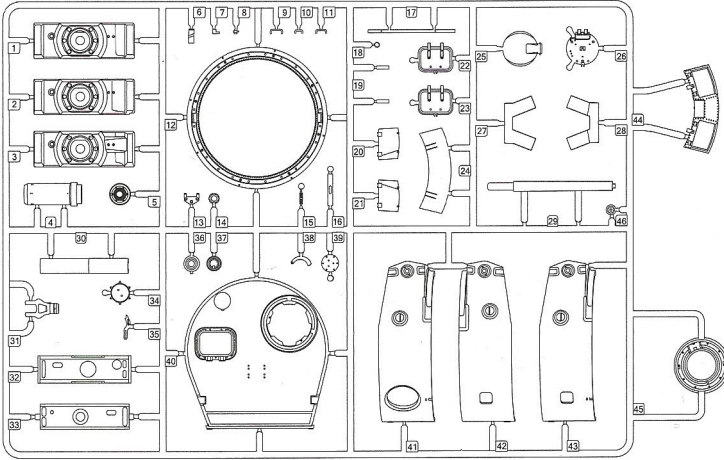
Support / 售后支持: support@ryefield-model.com

Website / 网站: www.ryefield-model.com

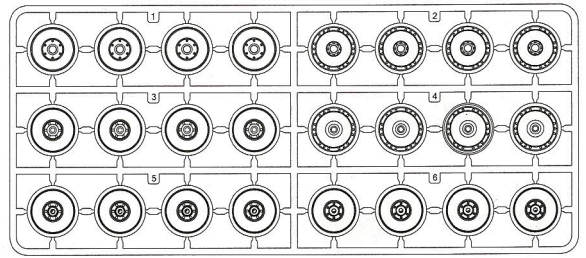
COPYRIGHT © 2018 ALL RIGHTS RESERVED

PARTS 部品图

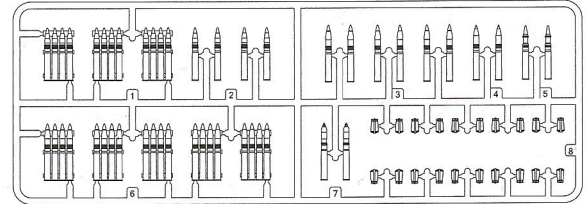
A x1



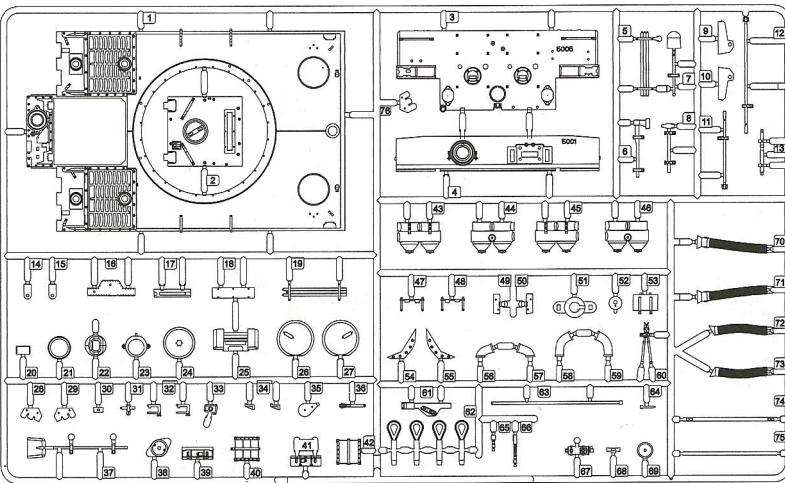
C x2



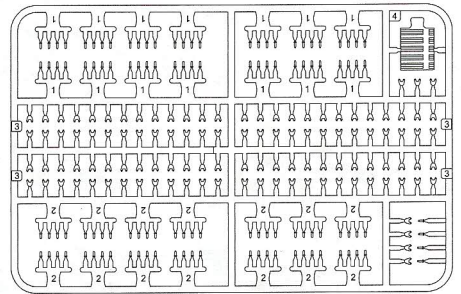
M x2



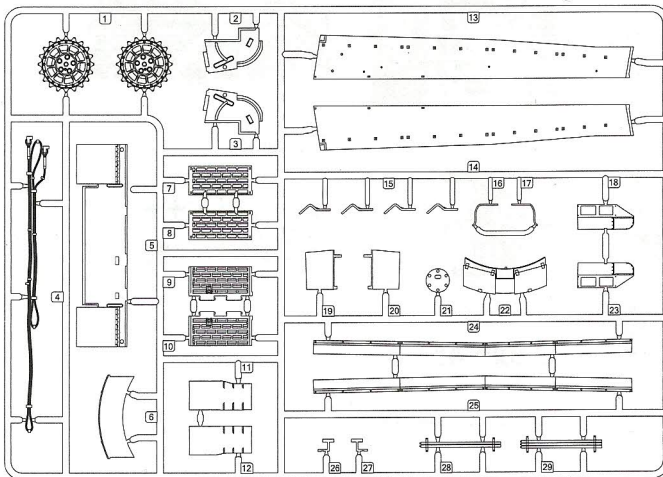
B x1



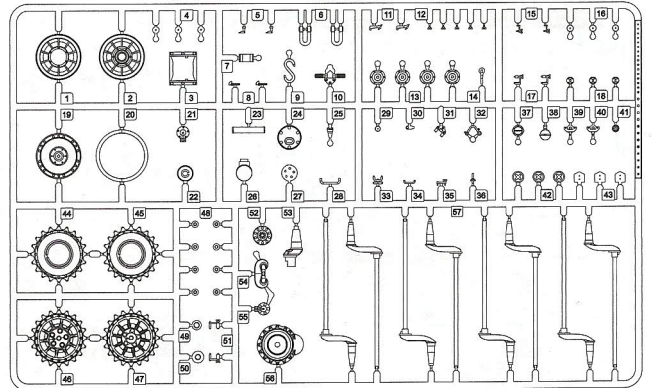
N x4



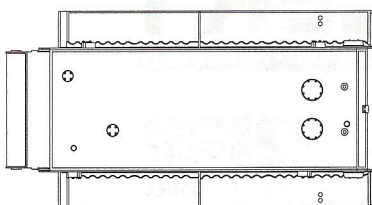
E x1



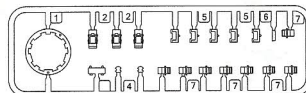
D x2



Lower hull x1



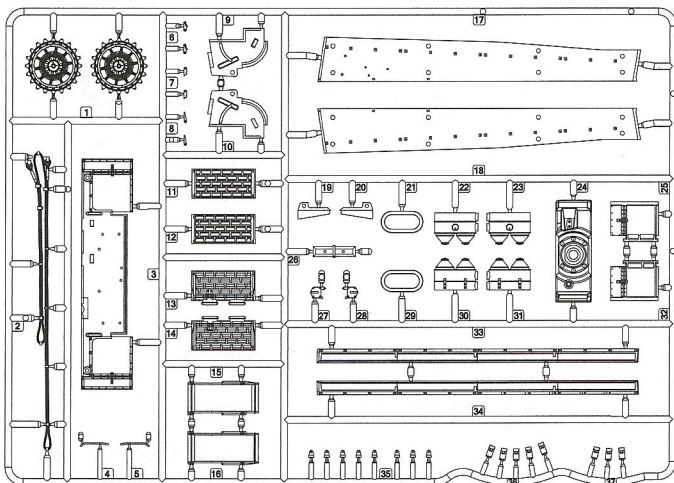
T x1



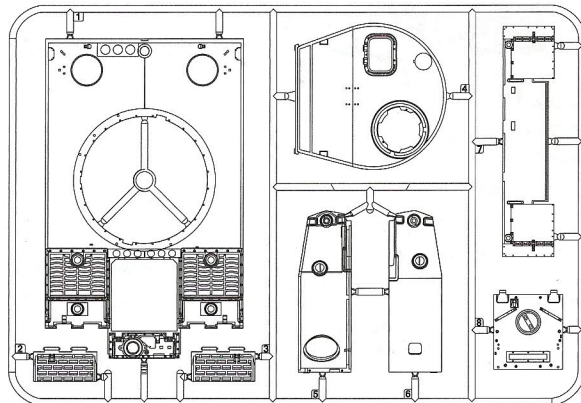
Track x192



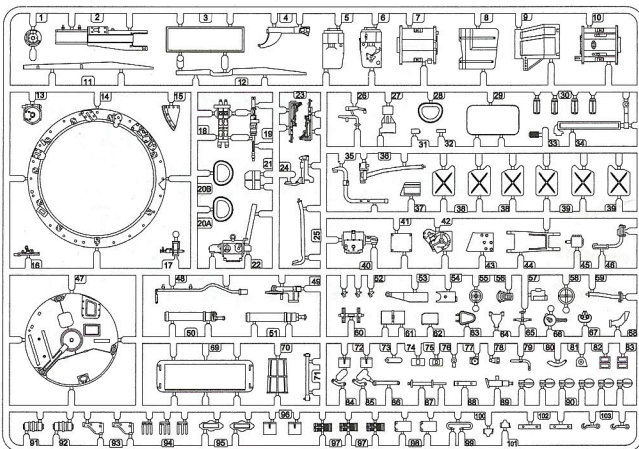
F x1



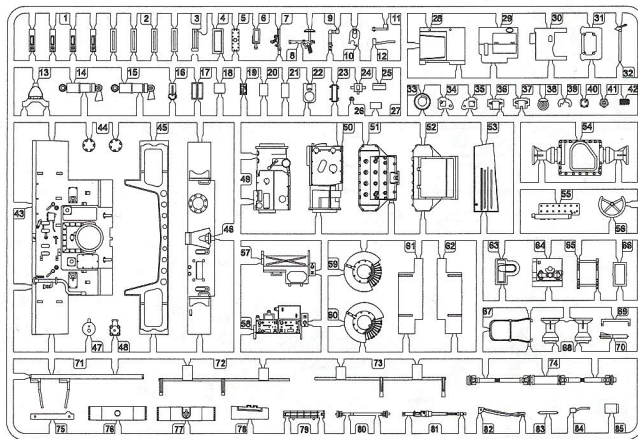
G x1



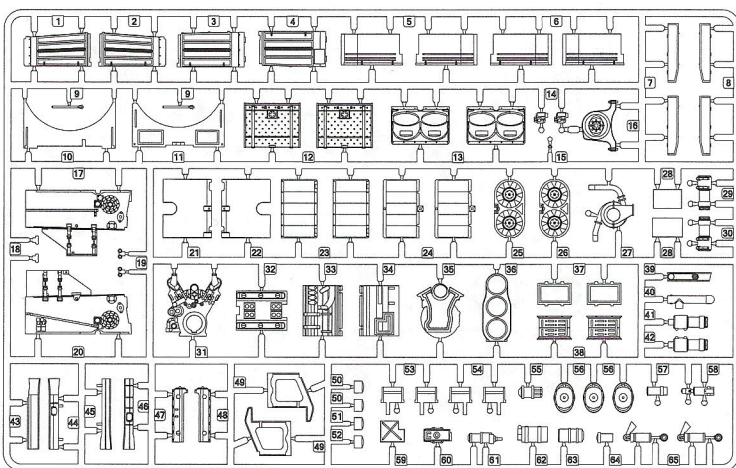
J x1



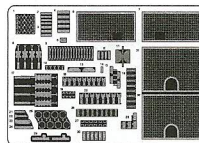
K x1



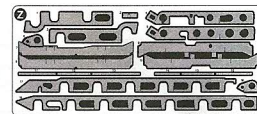
H x1



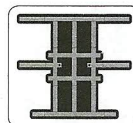
P x1



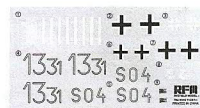
Z x1



L x1



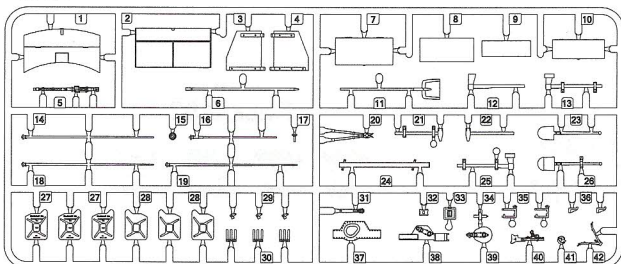
Decal x1



Cable 45cm



O x1



TIGER I

W/ FULL INTERIOR & CLEAR PARTS OF THE HULL & TURRET

5025
MILITARY MINIATURE SERIES

RFM
RYEFIELD MODEL®

Description of the mistakes in the instruction

关于说明书错误的说明

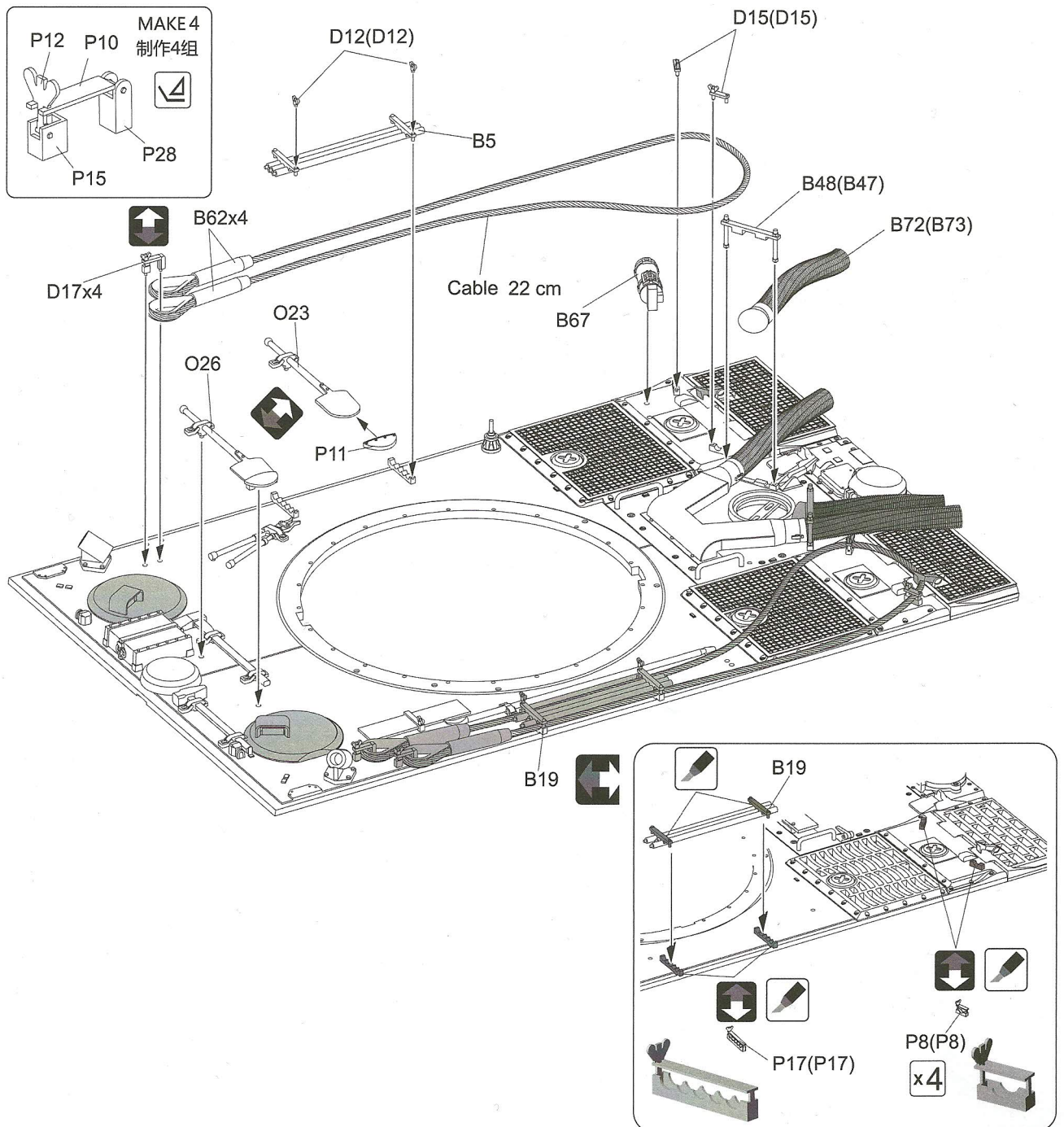
A- Cancel the E part

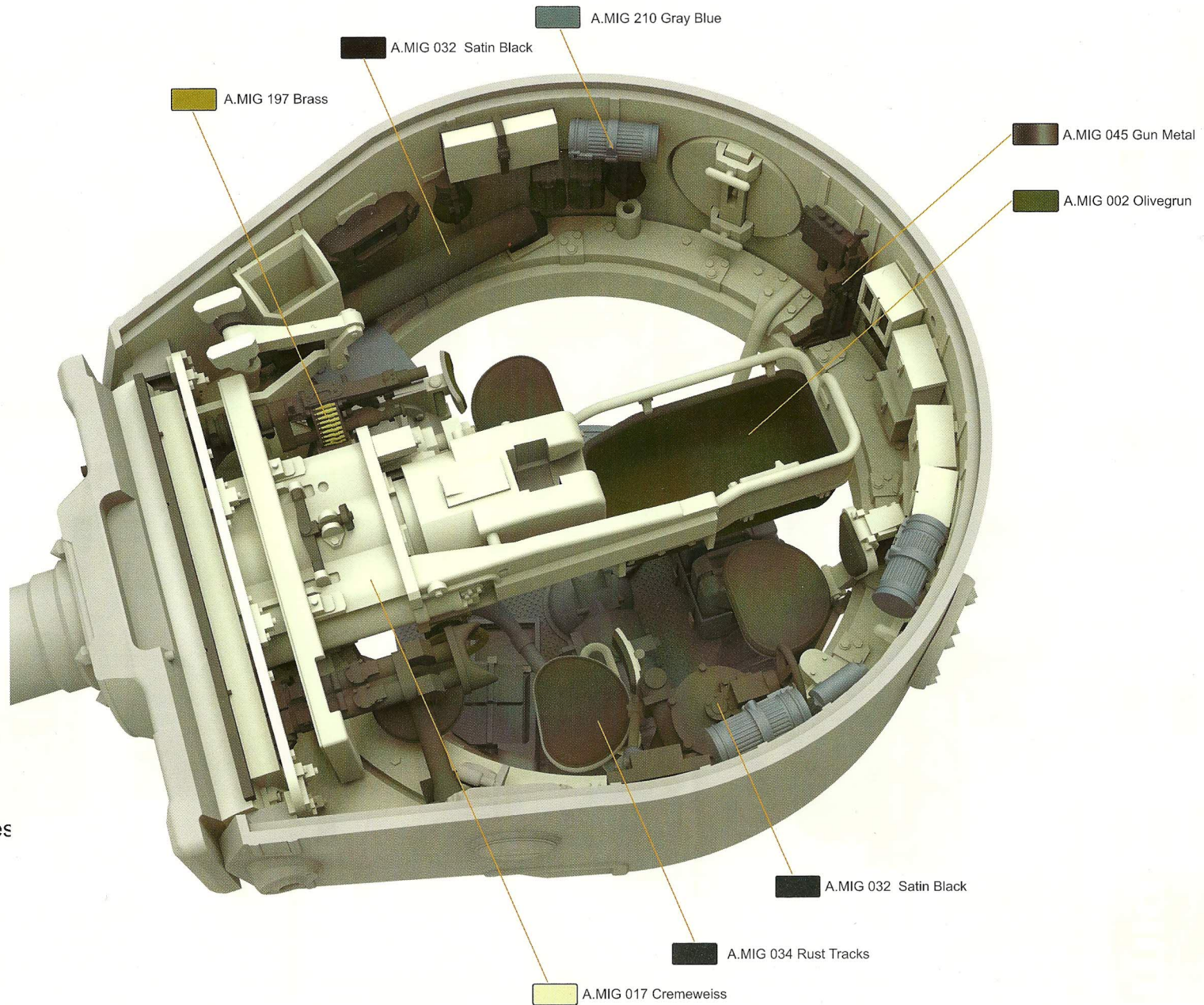
B- Step 43 on page 23: Replace E29 part with B5 part and B19 part

A- 取消E板件

B- 第23页之第43步骤：E29零件更改为B5和B19零件

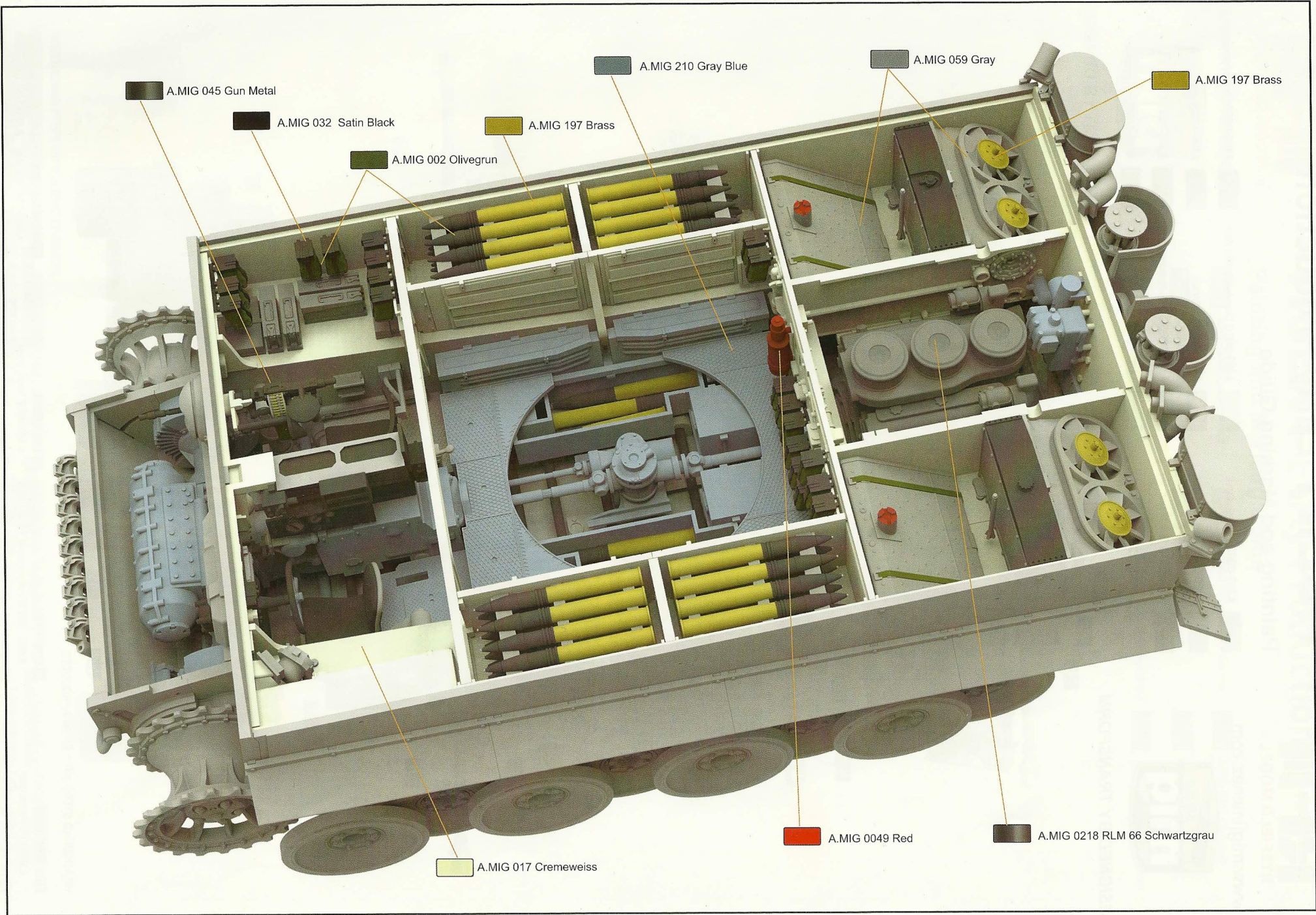
STEP 43





Color info and profiles
by





A.MIG 045 Gun Metal

A.MIG 032 Satin Black

A.MIG 002 Olivegrun

A.MIG 197 Brass

A.MIG 210 Gray Blue

A.MIG 059 Gray

A.MIG 197 Brass

A.MIG 017 Cremeweiss

A.MIG 0049 Red

A.MIG 0218 RLM 66 Schwartzgrau

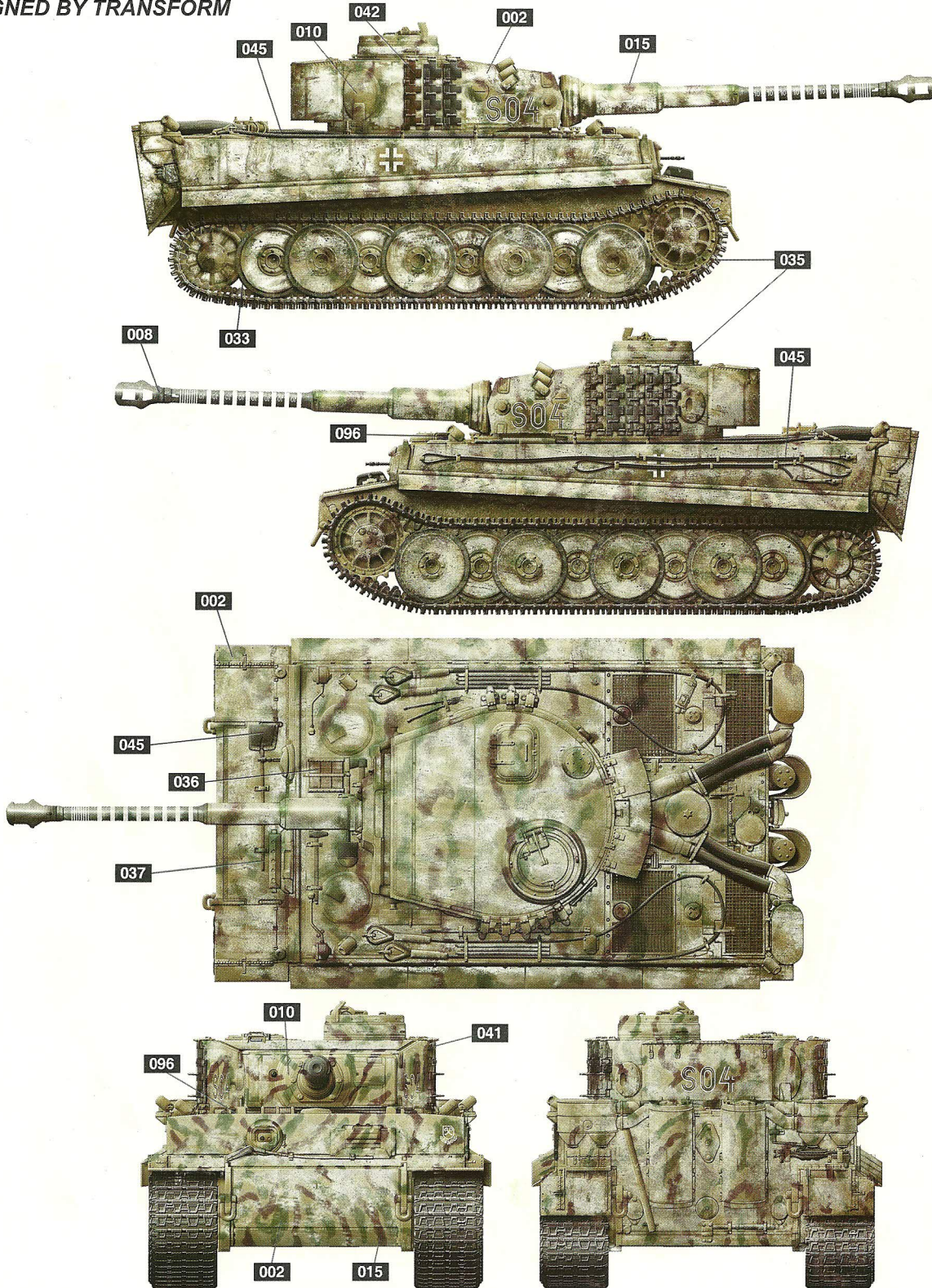


TIGER I Early Production

Painting and Marking Guide

 A.MIG-0002 Olivgrün Opt.2	 A.MIG-0010 Dunkelgelb Mid War	 A.MIG-0015 Schokobraun
 A.MIG-0035 Dark Tracks	 A.MIG-0036 Old Wood	 A.MIG-0038 Light Wood
 A.MIG-0045 Gun Metal	 A.MIG-0096 Crystal Periscope Green	 A.MIG-0042 Old Rust
 A.MIG-0022 Washable White Camo	 A.MIG-0033 Rubber & Tires	 A.MIG-0008 Dunkelgrau

DESIGNED BY TRANSFORM












WEATHERING STEPS WITH AMMO PRODUCTS

- | | | | |
|---|--|---|---|
| 1 GENERAL WASH
A.MIG-1010 Neutral Wash | 3 STREAKING
A.MIG-1255 Streakingbrusher Winter Grime | 5 TRACK WASH
A.MIG-1002 Tracks Wash | 7 MUD & SPLASHES
A.MIG-1705 Wet Mud A.MIG-1754 Damp Earth |
| 2 FILTER
A.MIG-1502 Dark Grey for White | 4 RUST
A.MIG-3510 Rust | 6 DUST
A.MIG-3029 Winter Soil | 8 GREASE & OIL
A.MIG-1408 Fresh Engine Oil |

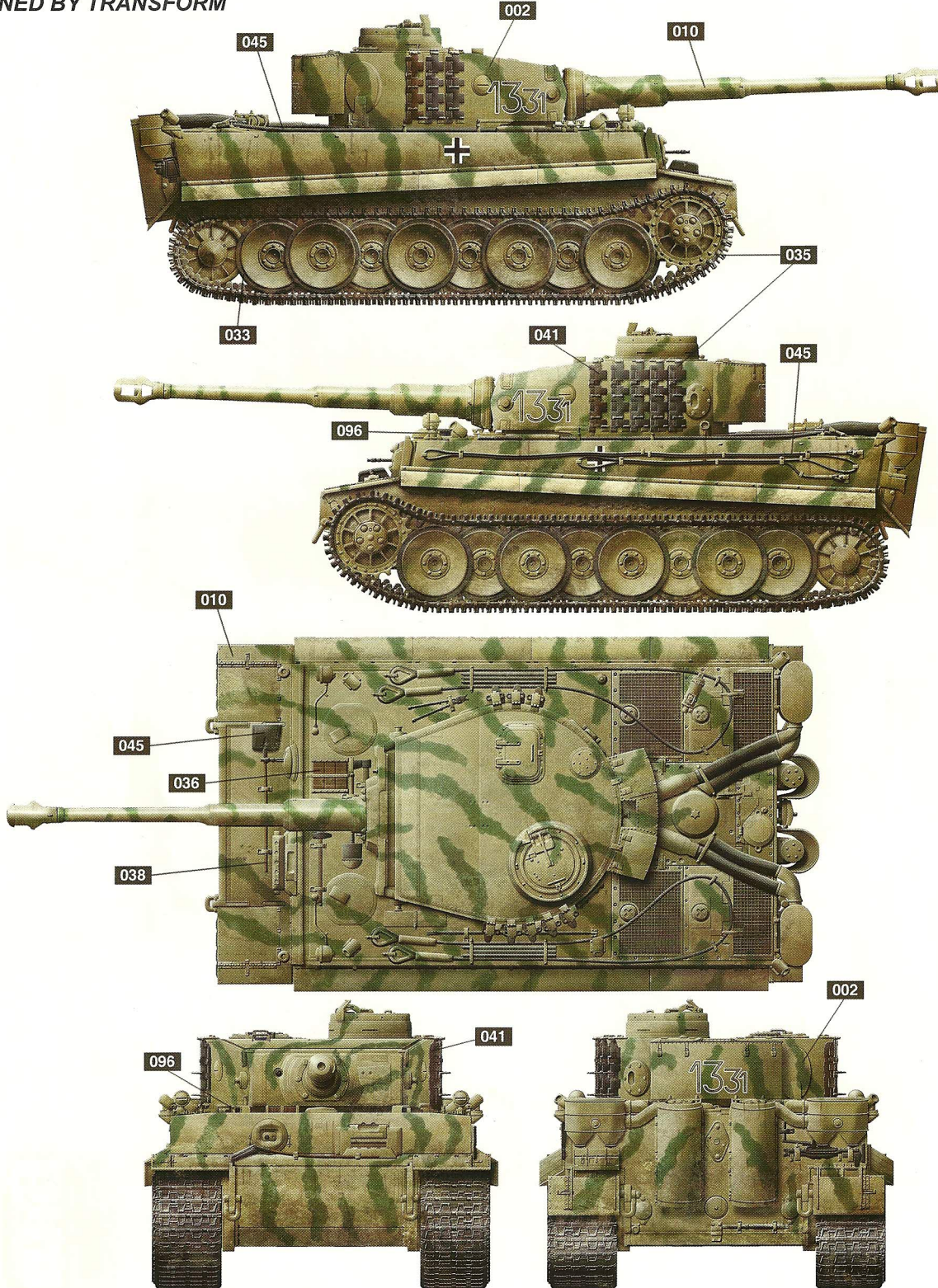
Painting and Marking Guide

www.migjimenez.com



 A.MIG-0002 Olivgrün Opt.2	 A.MIG-0010 Dunkelgelb Mid War	 A.MIG-0041 Dark Rust
 A.MIG-0035 Dark Tracks	 A.MIG-0036 Old Wood	 A.MIG-0038 Light Wood
 A.MIG-0045 Gun Metal	 A.MIG-0096 Crystal Periscope Green	 A.MIG-0033 Rubber & Tires

DESIGNED BY TRANSFORM



WEATHERING STEPS WITH AMMO PRODUCTS

- | | | | |
|--|---|---|--|
| 1 GENERAL WASH
A.MIG-1000 Brown Wash for German Yellow | 3 STREAKING
A.MIG-1203 Streaking Grime | 5 TRACK WASH
A.MIG-1002 Tracks Wash | 7 MUD & SPLASHES
A.MIG-1704 Heavy Earth A.MIG-1753 Turned Dirt |
| 2 FILTER
A.MIG-1511 Brown for Dark Yellow | 4 RUST
A.MIG-1254 Streakingbrusher Rust | 6 DUST
A.MIG-3030 Factory Dirt Ground | 8 GREASE & OIL
A.MIG-1408 Fresh Engine Oil |