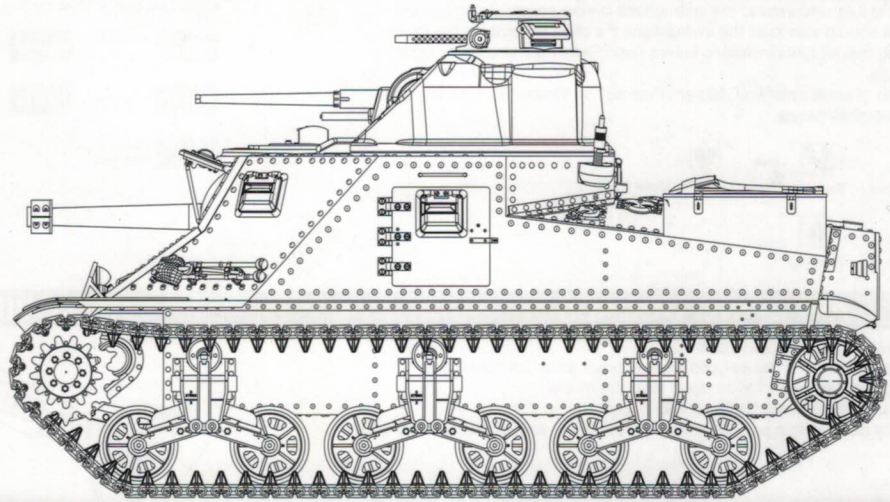


M3 LEE US MEDIUM TANK MID



The outbreak of WWII in Europe caused the U.S. Army to recognize it was lacking an effective tank force. Design of the Medium Tank Model 3 commenced in July 1940, with production beginning in December, and the first units became operational in late 1941. The U.S. Army required a medium tank armed with a 75mm main gun and the United Kingdom had made an immediate demand for more medium tanks. The odd design archaically mounted the 75mm main gun in the right sponson, with another 37mm gun mounted in a small turret on top, which was a compromise meant to produce a tank as soon as possible until the M4 became available. In Britain, the tank was called by two names based on the turret configuration and crew size. Tanks fitted with the US style turrets were called the "Lee", named after Confederate general Robert E. Lee. Variants using British style turrets were known as the "Grant," named after Union general Ulysses S. Grant. The M3 offered potent firepower and sturdy armor, but had serious shortcomings in its general design and shape, including a high silhouette, and the sponson mounting of the 75mm main gun, which limited traverse and prevented the tank from taking a hull-down position. It also featured riveted construction (creating deadly internal projectiles with non-penetrating hits), and limited off-road performance. Multiple variants and derivatives were spawned from M3 production, including the M31 Armored Recovery Vehicle, M7 Priest Self Propelled Gun, and even the Canadian Ram cruiser tank.

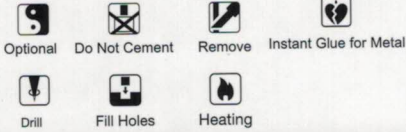
Of the 6,258 M3 variants manufactured in the United States, 2,855 were officially handed over to the British government thanks to the Lend-Lease Agreement of 1941. The M3 Grant first saw action with the Royal Armoured Corps in North Africa during May 1942. However, most of the M3s ordered by the UK quickly became surplus to the requirements of the British Army, and 1,700 were transferred to the Australian Army for home defense and training duties in Australia. The British Indian Army also received 900 Grants, and a further 1,386 Lee's were exported directly from the US to the Soviet Union, although only 976 of these reached Russian ports due to German U-boat and air attacks on Allied convoys transporting the vehicles.

03.02.2089

READ BEFORE ASSEMBLY

CAUTION

- Read carefully and fully understand the instructions before commencing assembly. A supervising adult should also read the instructions if a child assembles the model.
- When assembling this kit, tools including knives used. Extra care should be taken to avoid personal injury.
- Keep out of reach of small children. Children must not be allowed to suck any part, or pull vinyl bag over their heads.



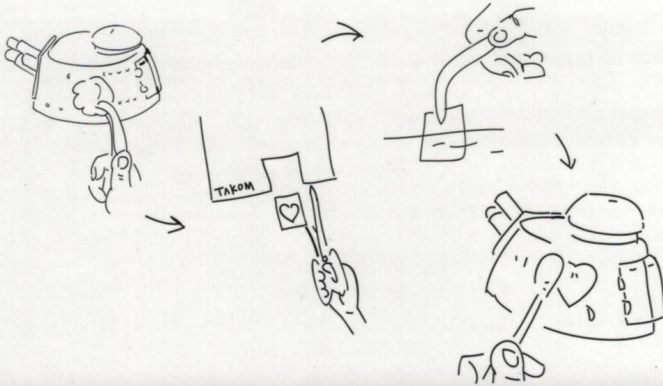
PAINTS REQUIRED

Color info and profiles by Mig Jimenez

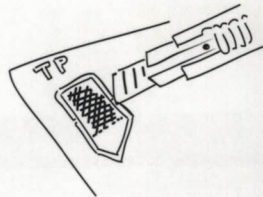
A.MIG 033	Rubber & Tires	A.MIG 035	Dark Tracks	A.MIG 036	Old Wood	A.MIG 045	Gun Metal
A.MIG 093	Crystal Red	A.MIG 094	Crystal Glass	A.MIG 195	Silver	A.MIG 096	Crystal Periscope Green
A.MIG 028	Olive Drab Base						

APPLYING DECALS

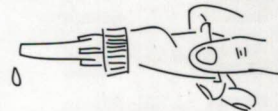
1. Clean the model surface with a wet cloth.
2. Cut out each decal design from sheet, and dip it in tepid water for 15-20 sec.
3. Hold the backing sheet edge and slide decal onto the model.
4. Move decal into position by wetting decal with finger.
5. Press decal gently down with a soft cloth until excess water and air bubbles are gone.



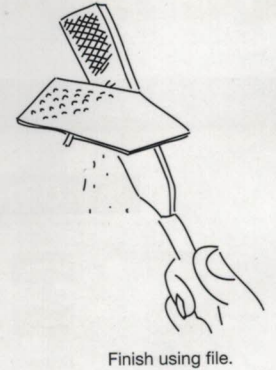
REMOVING PE



Be careful not to hurt when removing PE parts.

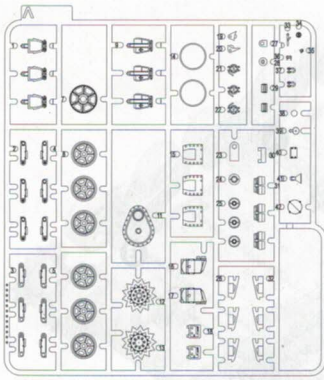


Secure using instant glue (not included).

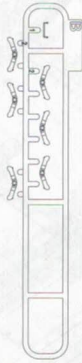


Finish using file.

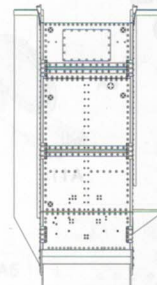
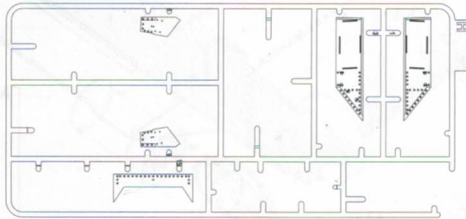
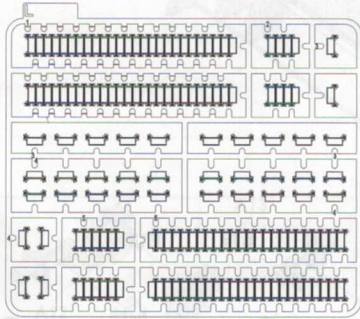
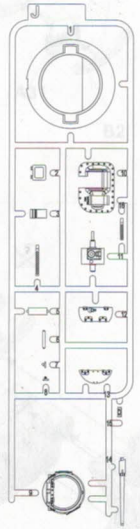
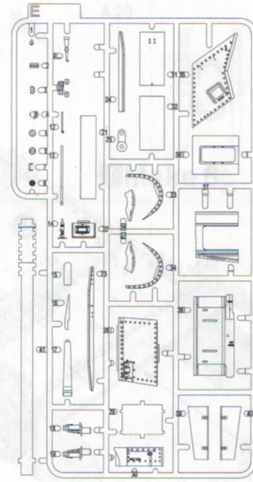
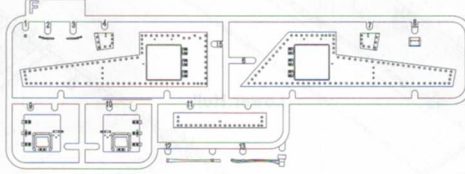
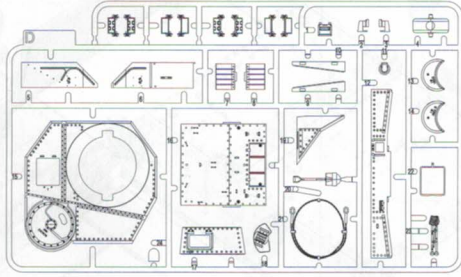
PARTS



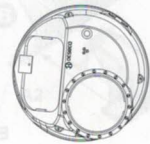
X2



X2



Lower Hull



Turret



T



TP



Decal

1 READ BEFORE ASSEMBLY

CAUTION

PARTS REQUIRED

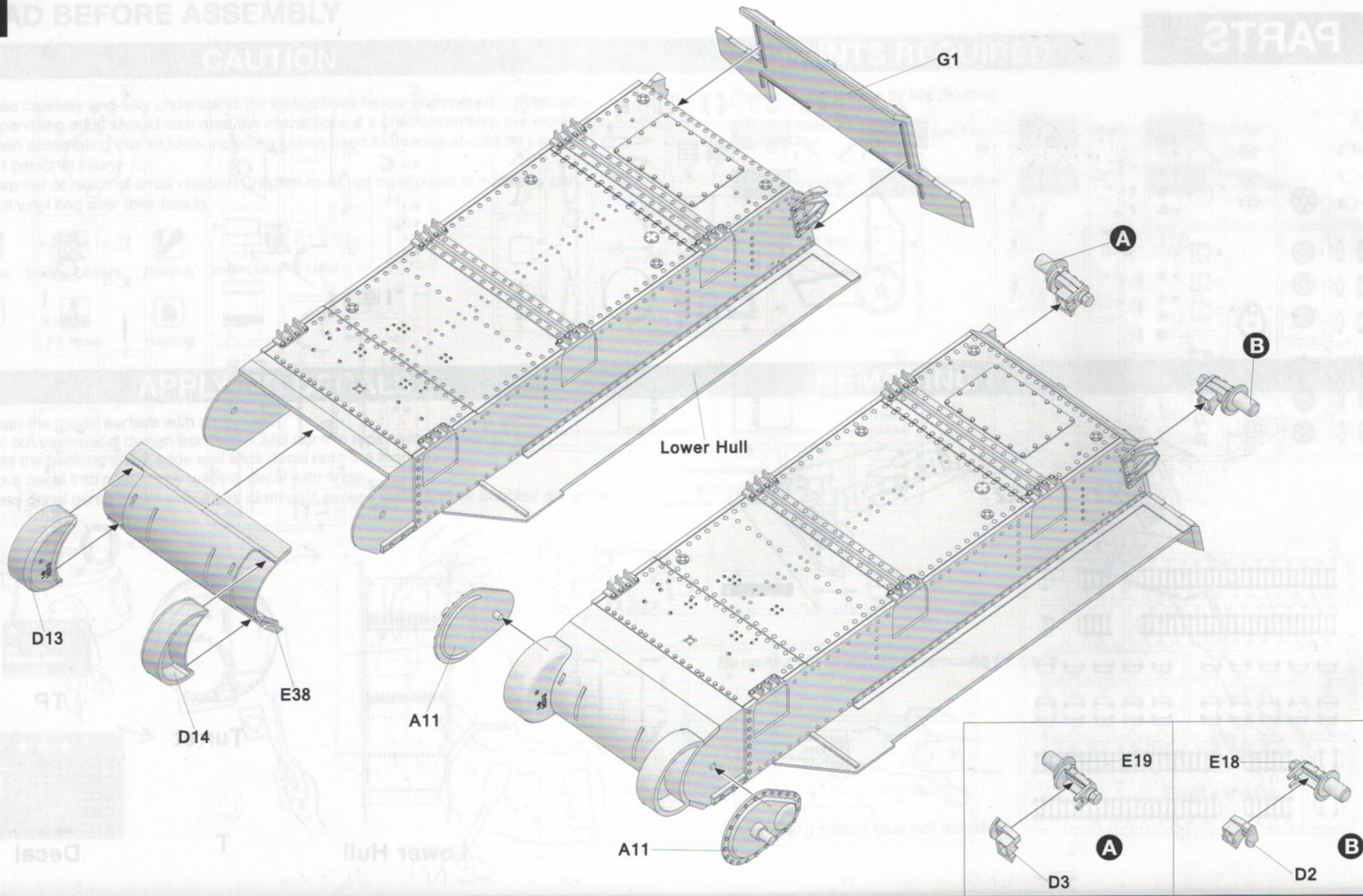
PARTS

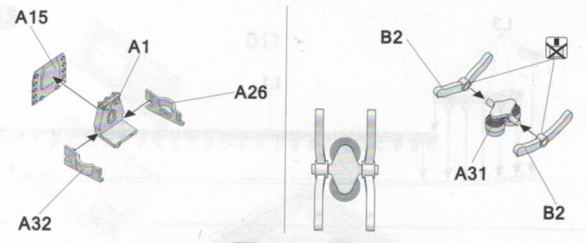
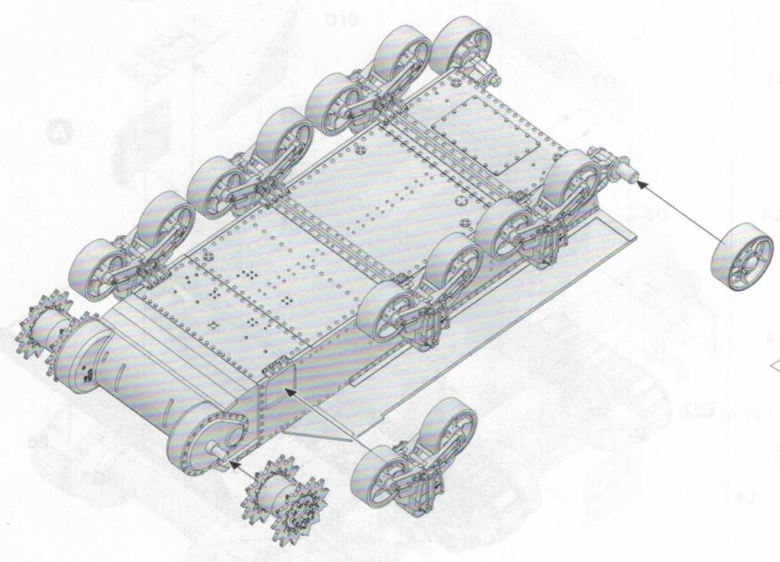
- Read carefully and fully understand the instructions before beginning assembly.
- A supervising adult should assemble and supervise the child's use of the product.
- When assembling the kit, tools including a screwdriver and wrench should be used to avoid personal injury.
- Keep out of reach of small children. Children must not be allowed to climb on or pull vinyl bag over their heads.



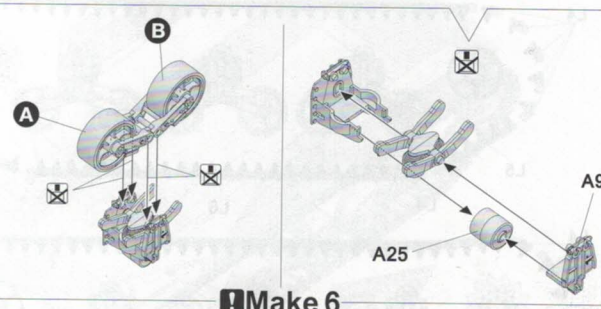
APPROXIMATE

1. Clean the glued surfaces with a clean cloth.
2. Cut out the pieces and lay them flat.
3. Hold the pieces together and press them together.
4. Move each into its final position.
5. Press the pieces together.

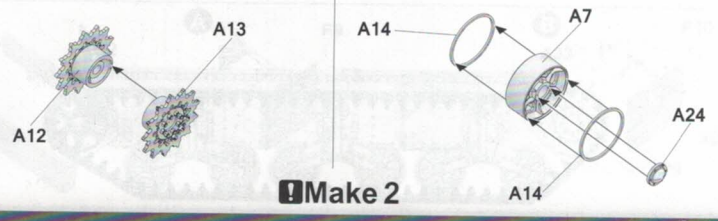
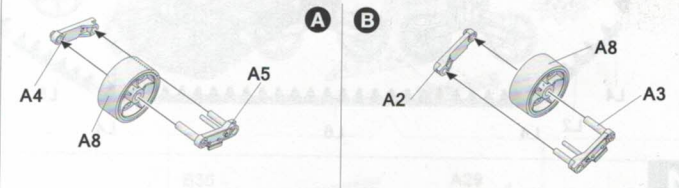




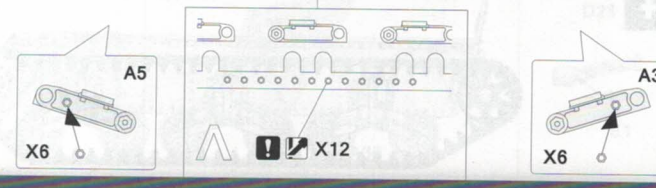
1 Make 6



1 Make 6



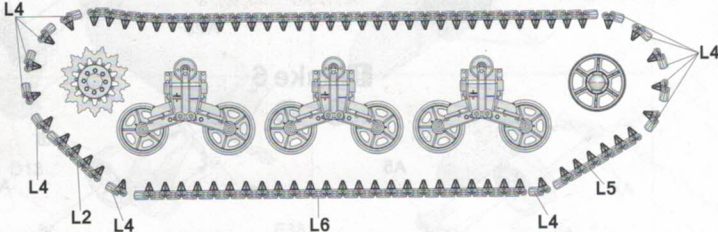
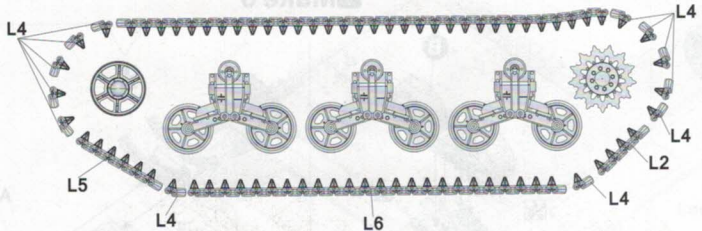
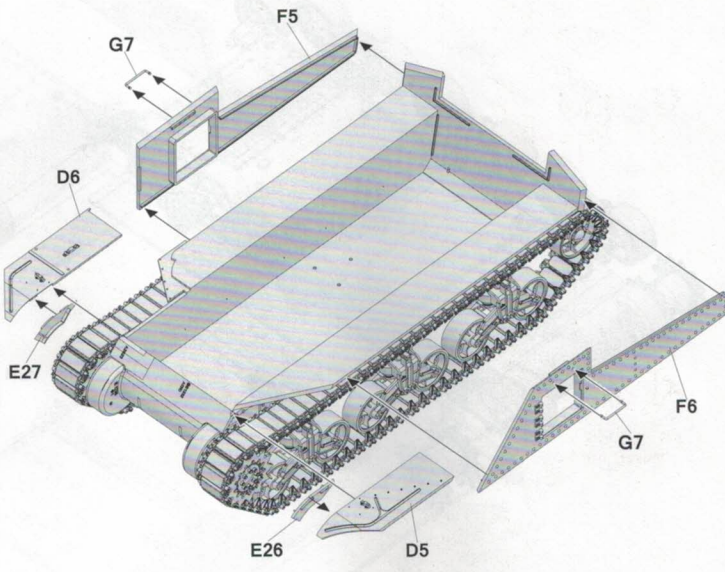
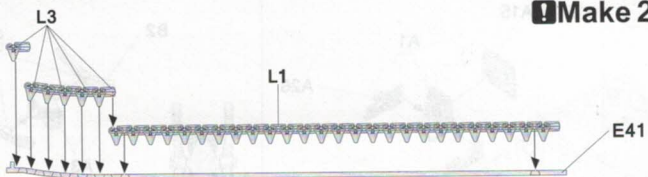
1 Make 2



3

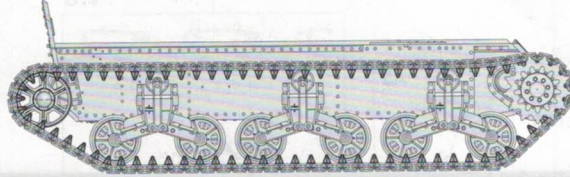
Make 2

5

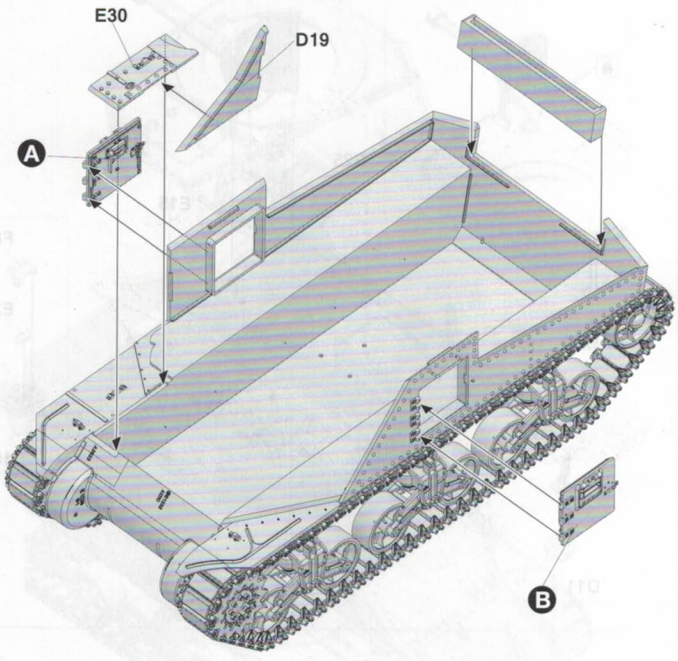


4

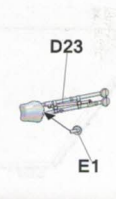
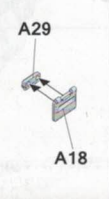
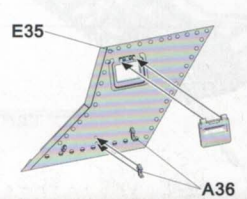
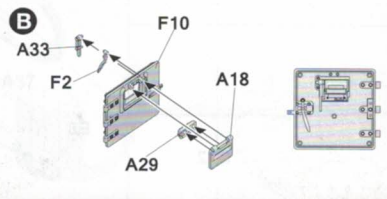
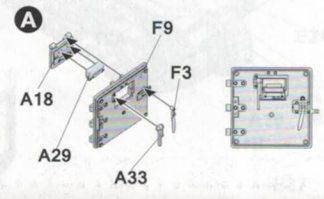
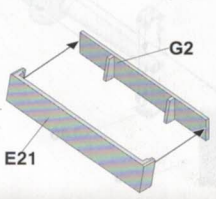
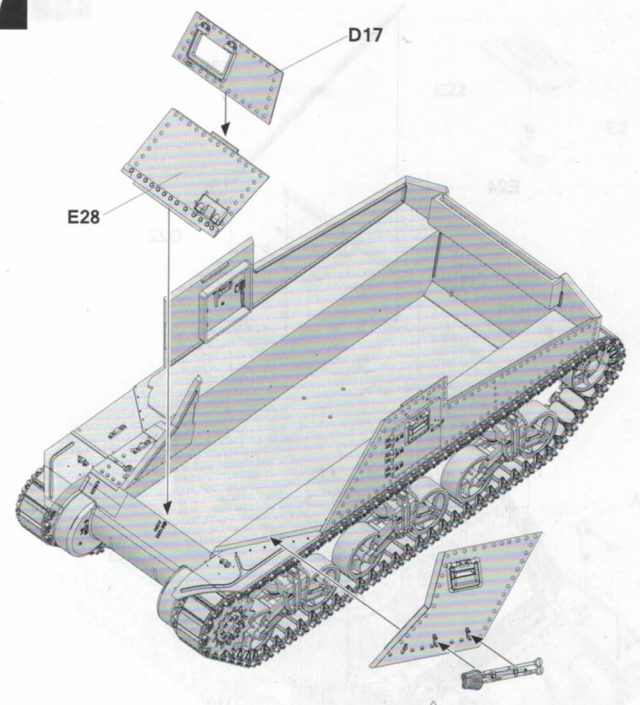
5



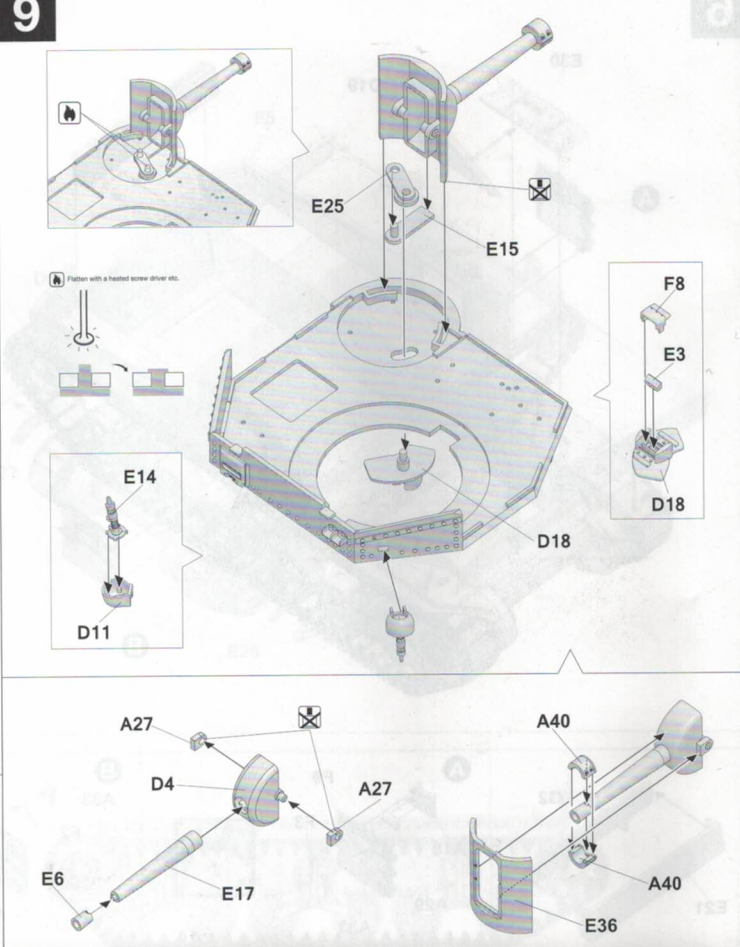
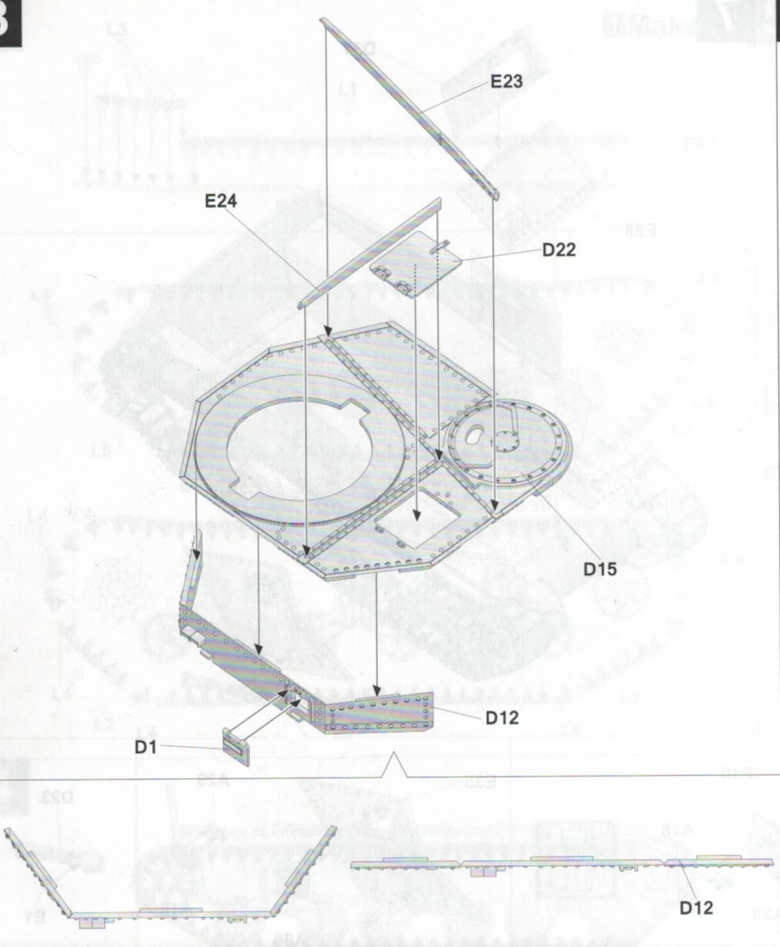
6

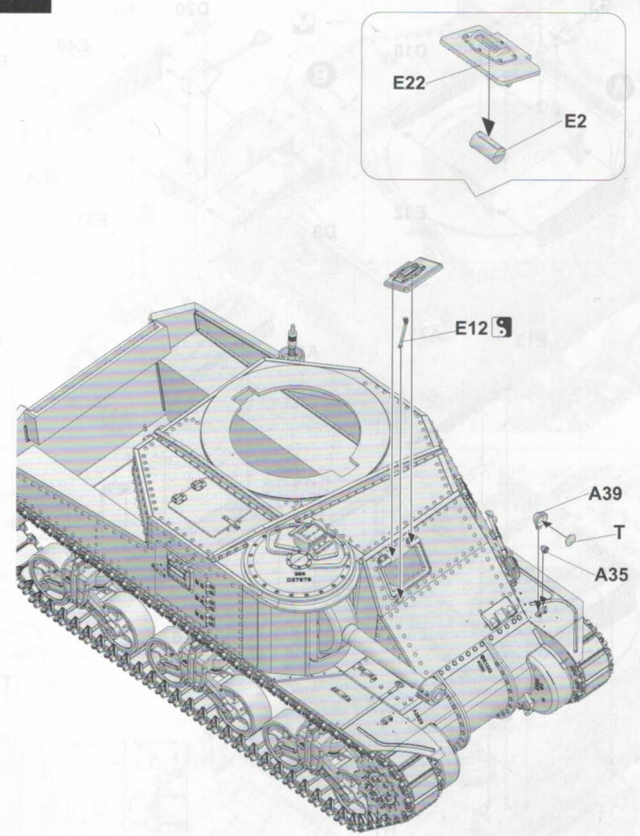
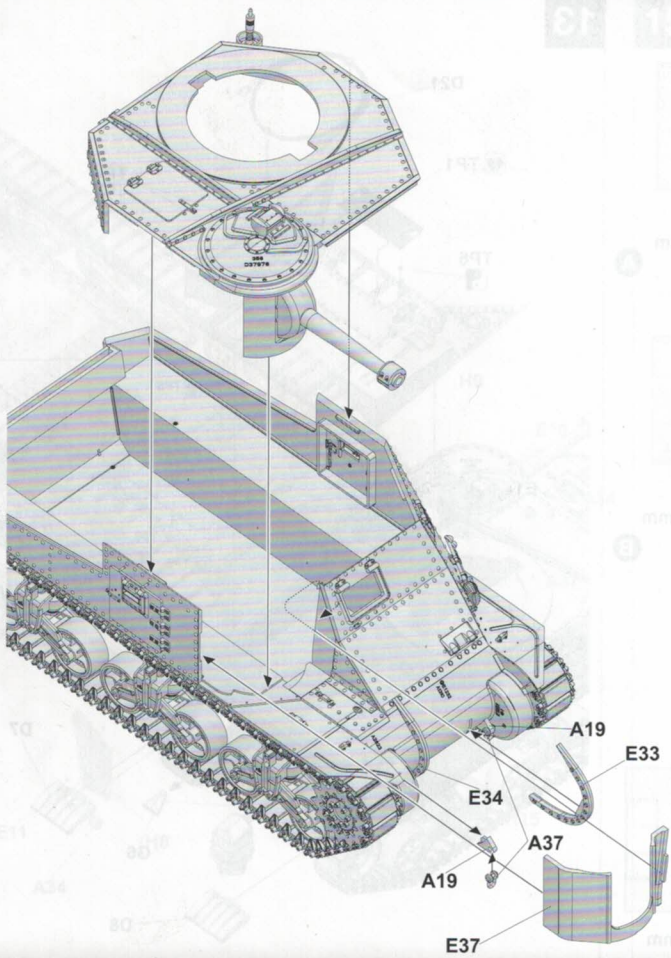


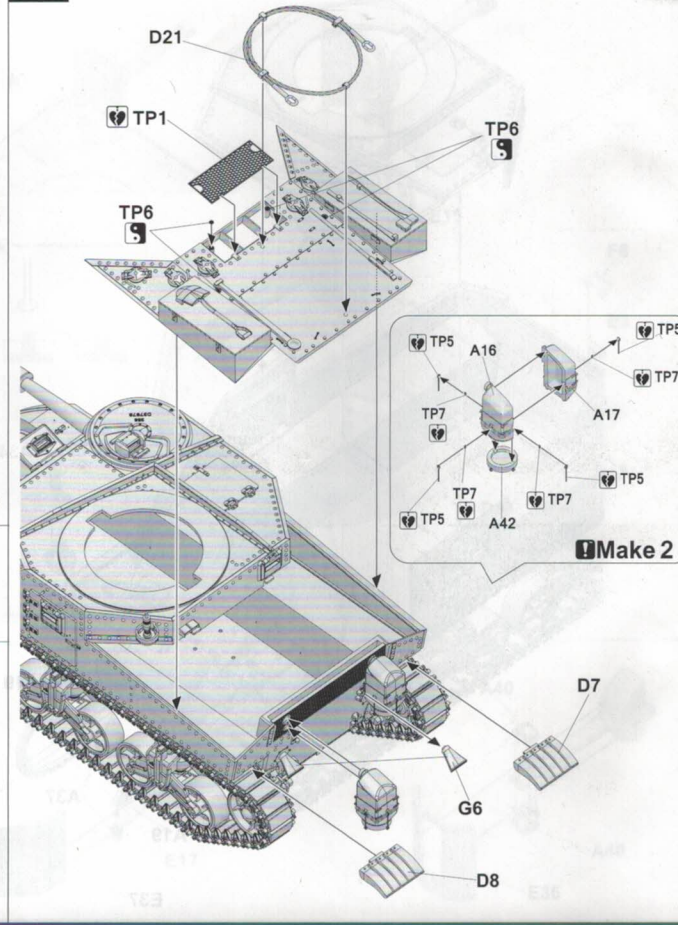
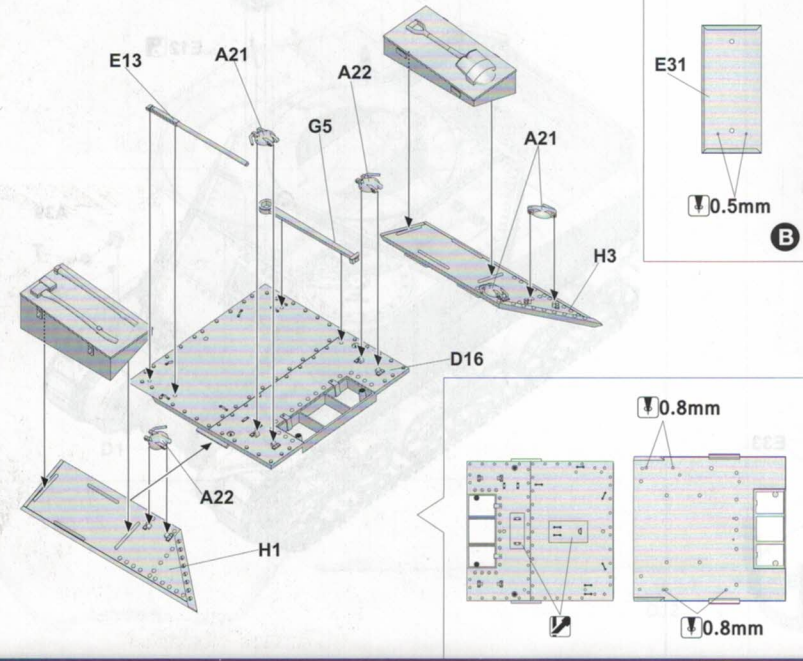
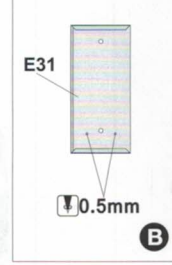
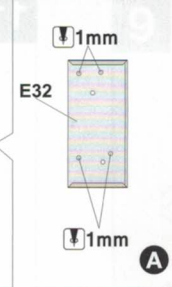
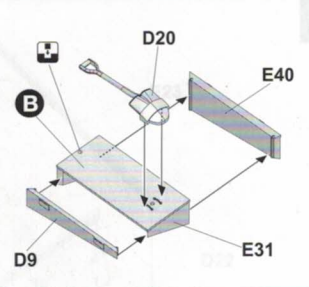
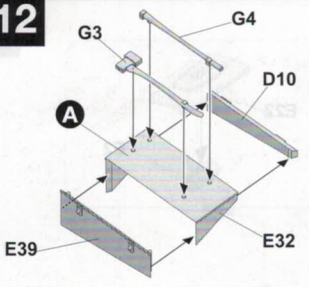
7

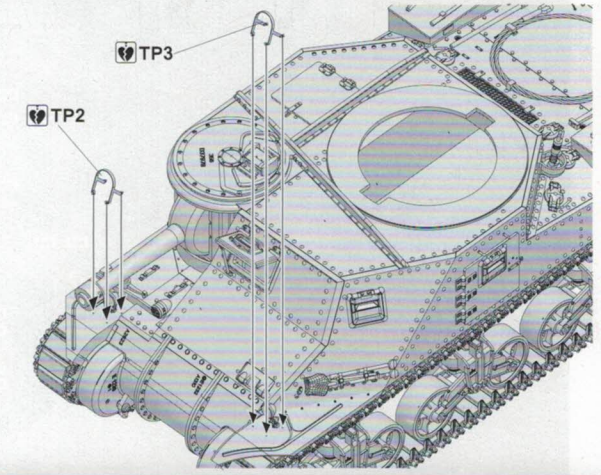
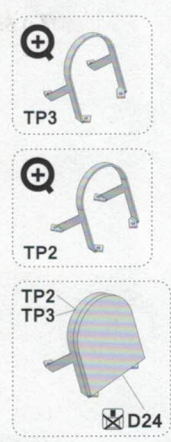
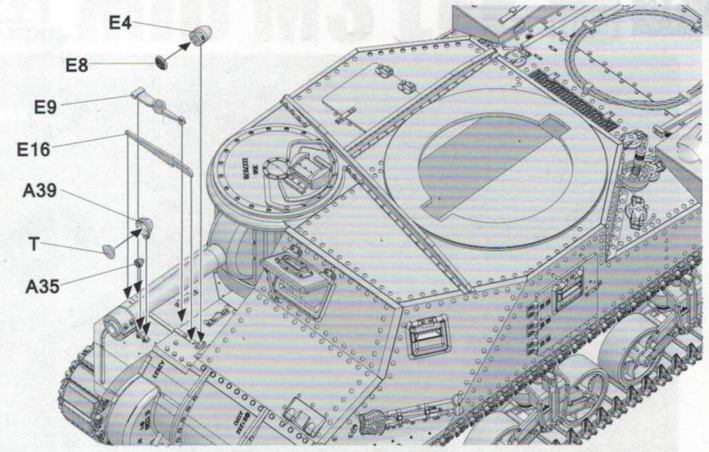
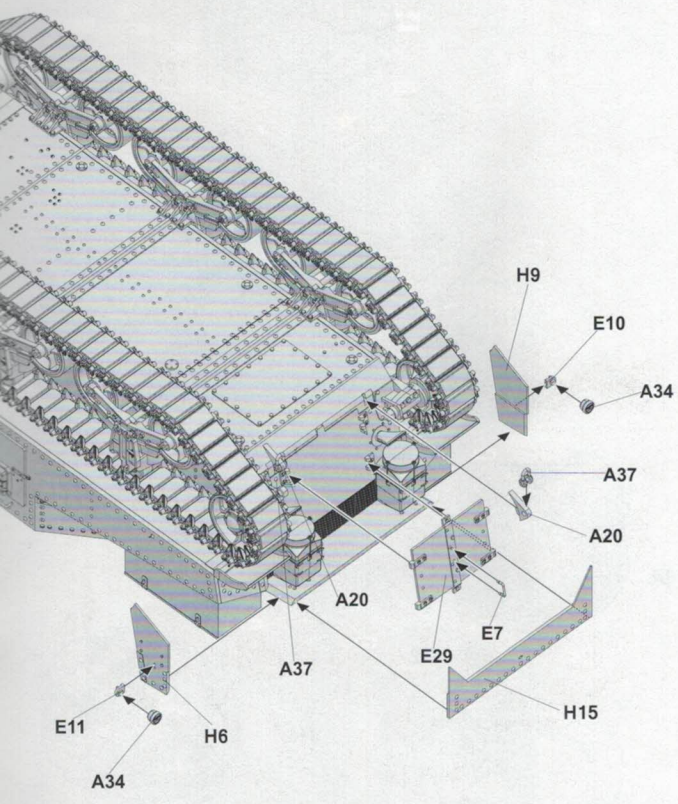


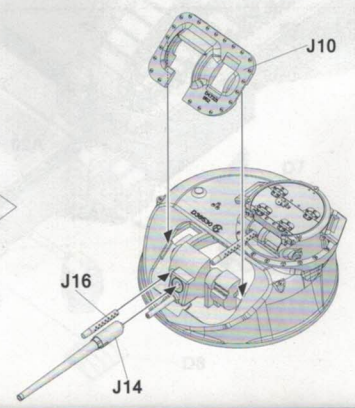
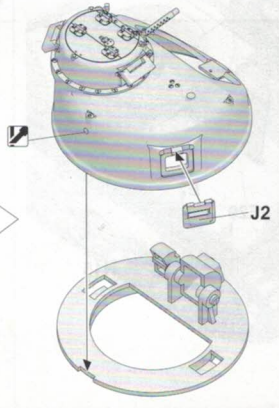
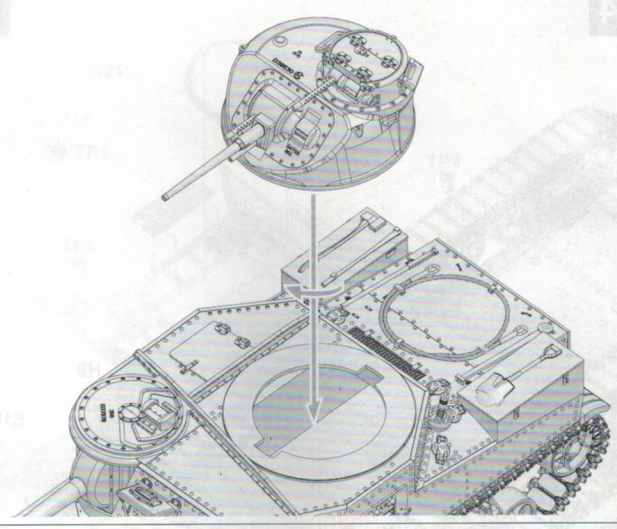
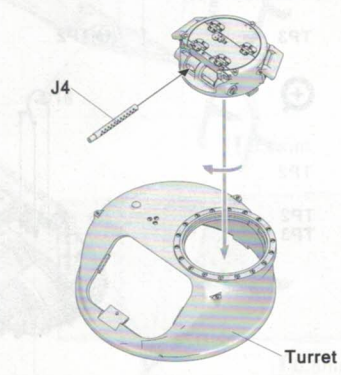
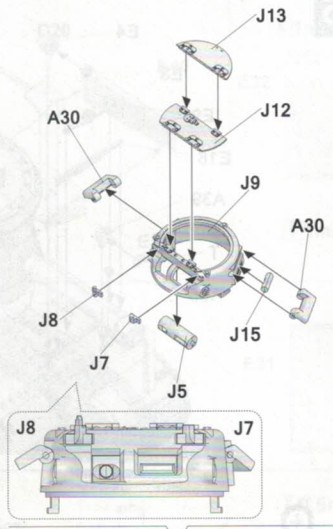
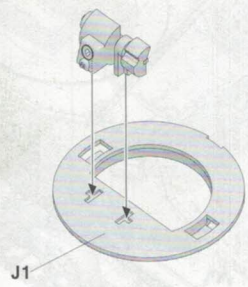
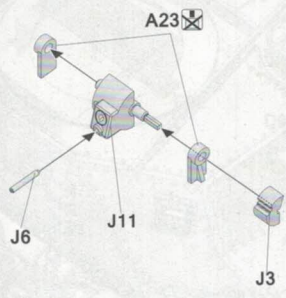
6









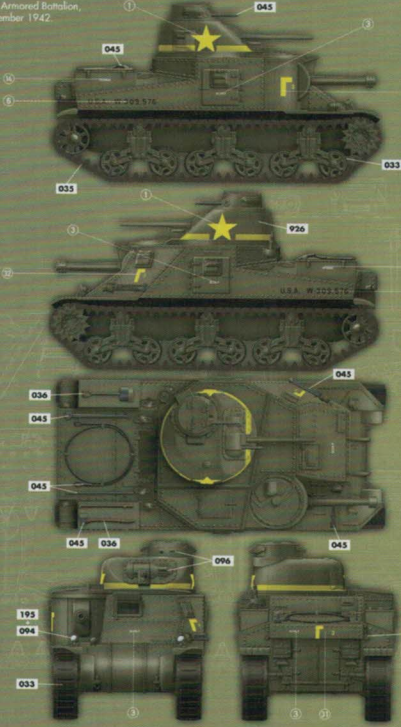


Painting and Marking Guide

- A.MIG 033** Rubber & Tires
- A.MIG 035** Dark Tracks
- A.MIG 036** Old Wood
- A.MIG 045** Gun Metal
- A.MIG 093** Crystal Red
- A.MIG 094** Crystal Glass
- A.MIG 096** Crystal Patina Green
- A.MIG 195** Silver
- A.MIG 926** Olive Drab Base

TAKOM Ref: 2089
US Medium Tank M3 Lee (Mid)

3rd PLT, D Co. 2/13th Armored Battalion,
Souk el Arba, 24 November 1942.



WEATHERING STEPS WITH AMMO PRODUCTS

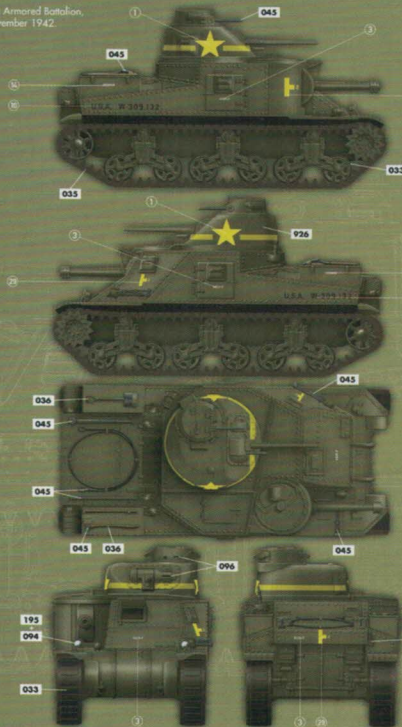
- | | | | |
|--|---|---|--------------------------------------|
| 1 GENERAL WASH
A.MIG-1005 Dark Brown Wash for Green Vehicles | 2 STREAMING
A.MIG-1208 Fluorescence Effects | 3 TRACK WASH
A.MIG-1002 Tracks Wash | A.MIG-3004 Europe Earth |
| 2 FILTER
A.MIG-1507 TAN for Yellow Green | 3 RUST
A.MIG-3510 Rust | 3 RUST
A.MIG-3003 North Africa Dust | 2 MUD
A.MIG-1751 Dry Steps |

Painting and Marking Guide

- A.MIG 033** Rubber & Tires
- A.MIG 035** Dark Tracks
- A.MIG 036** Old Wood
- A.MIG 045** Gun Metal
- A.MIG 093** Crystal Red
- A.MIG 094** Crystal Glass
- A.MIG 096** Crystal Patina Green
- A.MIG 195** Silver
- A.MIG 926** Olive Drab Base

TAKOM Ref: 2089
US Medium Tank M3 Lee (Mid)

2nd PLT, E Co. 2/13th Armored Battalion,
Souk el Arba, 22 November 1942.



WEATHERING STEPS WITH AMMO PRODUCTS

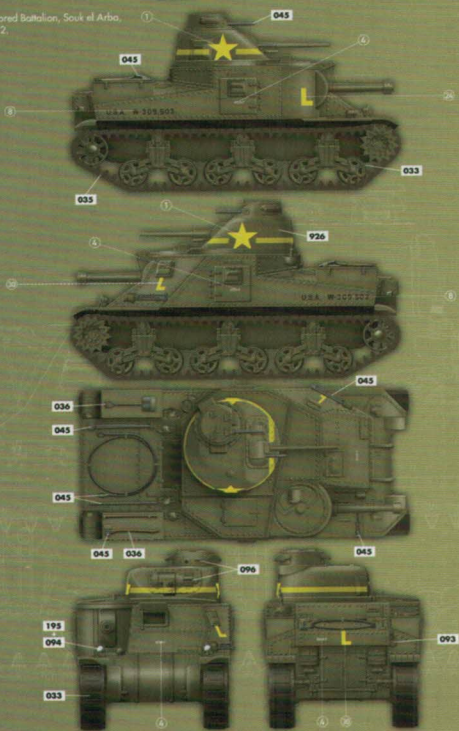
- | | | | |
|--|---|---|--------------------------------------|
| 1 GENERAL WASH
A.MIG-1005 Dark Brown Wash for Green Vehicles | 2 STREAMING
A.MIG-1208 Fluorescence Effects | 3 TRACK WASH
A.MIG-1002 Tracks Wash | A.MIG-3004 Europe Earth |
| 2 FILTER
A.MIG-1507 TAN for Yellow Green | 3 RUST
A.MIG-3510 Rust | 3 RUST
A.MIG-3003 North Africa Dust | 2 MUD
A.MIG-1751 Dry Steps |

Painting and Marking Guide

- A.MIG 033 Rubber & Tires
- A.MIG 035 Dark Tracks
- A.MIG 036 Old Wood
- A.MIG 045 Gun Metal
- A.MIG 093 Crystal Red
- A.MIG 094 Crystal Olive
- A.MIG 096 Crystal Panzergrün
- A.MIG 195 Silver
- A.MIG 926 Olive Drab Base

TAKOM Ref: 2089
US Medium Tank M3 Lee (Mid)

F Co. 2/13th Armored Battalion, Souk el Arba,
23 November 1942.



WEATHERING STEPS WITH AMMO PRODUCTS

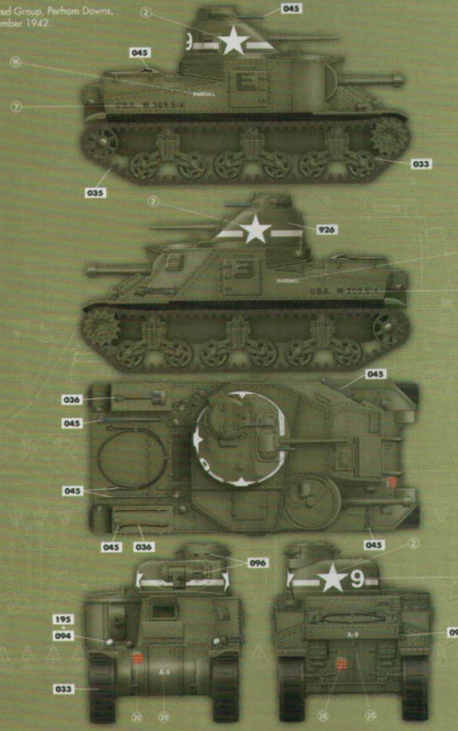
- 1 GENERAL WASH**
A.MIG 100 Dark Brown Wash for Green Vehicles
- 2 FILTER**
A.MIG 1507 TAN for Yellow Green
- 3 STEAKING**
A.MIG 1208 Panzermarks Effects
- 4 RUST**
A.MIG 3510 Rust
- 5 TRACK WASH**
A.MIG 1002 Tracks Wash
- 6 DUST**
A.MIG 3003 North Africa Dust
- 7 MUD**
A.MIG 1751 Dry Slope
- 8**
A.MIG 3004 Europa Earth

Painting and Marking Guide

- A.MIG 033 Rubber & Tires
- A.MIG 035 Dark Tracks
- A.MIG 036 Old Wood
- A.MIG 045 Gun Metal
- A.MIG 093 Crystal Red
- A.MIG 094 Crystal Olive
- A.MIG 096 Crystal Panzergrün
- A.MIG 195 Silver
- A.MIG 926 Olive Drab Base

TAKOM Ref: 2089
US Medium Tank M3 Lee (Mid)

A Co. 1st Armored Group, Parham Downs,
England, 5 December 1942.



WEATHERING STEPS WITH AMMO PRODUCTS

- 1 GENERAL WASH**
A.MIG 100 Dark Brown Wash for Green Vehicles
- 2 FILTER**
A.MIG 1507 TAN for Yellow Green
- 3 STEAKING**
A.MIG 1208 Panzermarks Effects
- 4 RUST**
A.MIG 3510 Rust
- 5 TRACK WASH**
A.MIG 1002 Tracks Wash
- 6 DUST**
A.MIG 3003 North Africa Dust
- 7 MUD**
A.MIG 1751 Dry Slope
- 8**
A.MIG 3004 Europa Earth



MID M3 LEE



MID M3 LEE



Painting and Marking Guide

A.MIG 033 Rubber & Tires A.MIG 035 Dark Tracks A.MIG 036 Old Wood A.MIG 045 Gun Metal

A.MIG 093 Crystal Red A.MIG 094 Crystal Glass A.MIG 096 Crystal Partridge Green A.MIG 195 Silver

A.MIG 926 Olive Drab Base

TAKOM Ref: 2089

US Medium Tank M3 Lee (Mid)

E Co. 2/13th Armored Battalion, Souk el Arba, 26 November 1942.



WEATHERING STEPS WITH AMMO PRODUCTS

- | | | | |
|---|--|---|---------------------------------------|
| 1 GENERAL WASH
A.MIG-103 Dark Brown Wash for Green Vehicles | 3 STREAKING
A.MIG-1208 Rainmarks Effects | 5 TRACK WASH
A.MIG-1002 Tracks Wash | A.MIG-3004 Europa Earth |
| 2 FILTER
A.MIG-1507 TAN for Yellow Green | 4 RUST
A.MIG-3510 Rust | 6 DUST
A.MIG-3003 North Africa Dust | 7 MUD
A.MIG-1751 Dry Steppe |

Painting and Marking Guide

A.MIG 033 Rubber & Tires A.MIG 035 Dark Tracks A.MIG 036 Old Wood A.MIG 045 Gun Metal

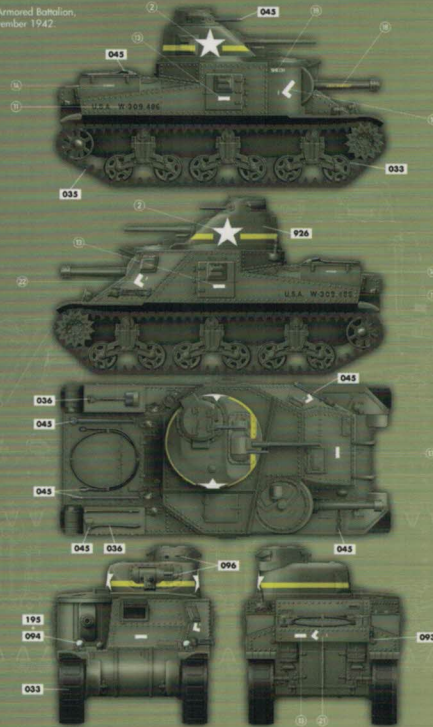
A.MIG 093 Crystal Red A.MIG 094 Crystal Glass A.MIG 096 Crystal Partridge Green A.MIG 195 Silver

A.MIG 926 Olive Drab Base

TAKOM Ref: 2089

US Medium Tank M3 Lee (Mid)

Shikh 1 Co. 3/13th Armored Battalion, Souk el Arba, 26 November 1942.



WEATHERING STEPS WITH AMMO PRODUCTS

- | | | | |
|---|--|---|---------------------------------------|
| 1 GENERAL WASH
A.MIG-103 Dark Brown Wash for Green Vehicles | 3 STREAKING
A.MIG-1208 Rainmarks Effects | 5 TRACK WASH
A.MIG-1002 Tracks Wash | A.MIG-3004 Europa Earth |
| 2 FILTER
A.MIG-1507 TAN for Yellow Green | 4 RUST
A.MIG-3510 Rust | 6 DUST
A.MIG-3003 North Africa Dust | 7 MUD
A.MIG-1751 Dry Steppe |



MID M3 LEE



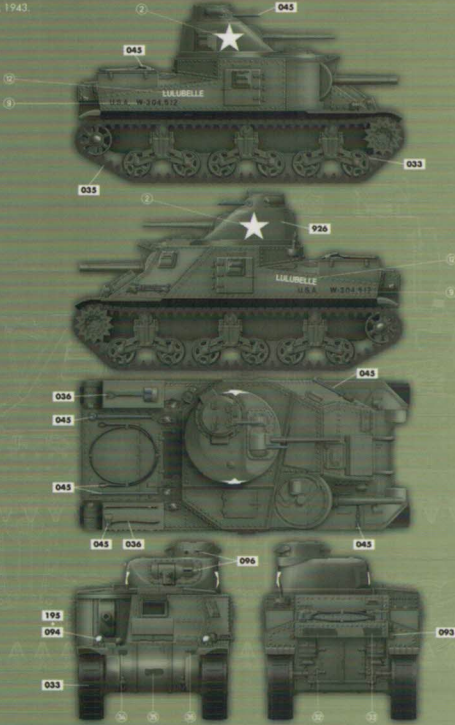
Painting and Marking Guide

- A.MIG-033 Rubber & Tires
- A.MIG-035 Dark Tracks
- A.MIG-036 Old Wood
- A.MIG-045 Clean Metal
- A.MIG-093 Crystal Red
- A.MIG-094 Crystal Green
- A.MIG-096 Crystal Penetration Green
- A.MIG-192 Silver
- A.MIG-926 Olive Drab Tone

TAKOM Ref: 2089

US Medium Tank M3 Lee (Mid)

Lulubelle, Sahara, 1943.



WEATHERING STEPS WITH AMMO PRODUCTS

- 1 GENERAL WASH**
A.MIG-105 Dark Brown Wash for Green Vehicles
- 2 STREAKING**
A.MIG-1258 Rammarks Effects
- 3 TRACK WASH**
A.MIG-1002 Tracks Wash
- 4 FILTER**
A.MIG-1507 TAN for Yellow Green
- 5 RUST**
A.MIG-3510 Rust
- 6 DUST**
A.MIG-3003 North Africa Dust
- 7 MUD**
A.MIG-1751 Dry Slope

M3 LEE Early



M3 Grant

