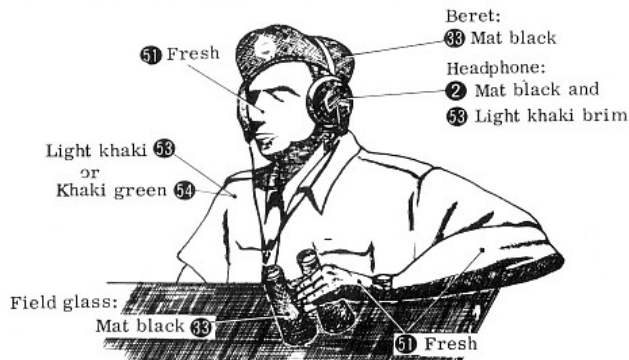


《Painting of British Tank Crew》



PAINING

Most of the Humber armored motorcars were painted in middlestone or in light khaki colors. To simulate the desert, a portion of the motorcars was painted in the so-called Mickey Mouse camouflage, (middlestone and black). To prevent the eyes from tiring, the interior of the motorcar was painted white or sky blue. When the motorcars left the production line, the bottom of the chassis was painted black and as a result of use on the warfront the mud and dust give it a dirty appearance. To fake reality, the tires on the

model should be painted in a way that makes them look dirty. The wheel is painted in the same color as the chassis. The cannon barrel was painted in the same color as the chassis when the motorcar was new. However, after extensive use on the warfront, the paint is scorched, and the gloss worn off making the cannon barrel appear black iron. Paint the machine gun black iron. The light above the cannon mount is painted silver. The fender concave lamp should be painted black, the sheet khaki or buff and the tools black iron.

PARTS NO. & NAME

1. Body upside	13. Cupola underside	25. Main machine gun
2. Body underside	14. Rear hatch (L)	26. Side tool box (R)
3. Body side (L)	15. Rear hatch (S)	27. Side tool box (L)
4. Body side (R)	16. Armour plate	28. Machine gun mount
5. Front fender cover (L)	17. Front hatch	29. Hatch
6. Front fender cover (R)	18. Seat	30. Search light
7. Rear fender cover (R)	19. Front tool box	31. Light
8. Rear fender cover (L)	20. Rear tool box A	32. Smoke discharger
9. Body rear	21. Rear tool box B	33. Crew
10. Tires	22. Tool	Metal shaft 2pcs
11. Spare tire	23. Tool	
12. Cupola upside	24. Machine gun	

PRINTED IN JAPAN

HUMBER Mk. II

1/72 SCALE MINI BOX SERIES NO.25 KIT No. MB-025
ROYAL ARMY HUMBER Mk. II

mini BOX
25



HISTORY

In Great Britain, during World War II, many kinds of four wheeled armored motorcars were built and used. In the initial stage, they were designed just by outfitting the body on the chassis of marketed motorcars. As the war continued, an official vehicle was developed. The Humber armored motorcar was designed on the basis of the Guy armored motorcar. The engine was transferred to the rear, the suspension properly modified, and the body and turret installed. During the development stage, this type of vehicle was utilized as a light tank. Subsequently, a distinction was made between the tank and troop carrier and it was therefore given the official name of armored motorcar. The Humber was fit for reconnaissance service--from Mk. II to Mk. IV models.

Overall Length: 4.57 m / Overall Width: 2.18 m / Overall Height: 2.39 m
Weight: 7.1 tons / Engine: Rootes 6 cylinder 90 horsepower / Transmission: Forward drive 4 stage Backward drive 1 stage / Crew: 3 / Armament: 15 mm Besa m.g. x 1 7.92 mm Besa m.g. x 1 / Armour: Maximum 15 mm
Maximum Speed: 72.4 km/h / Cruising Range: 402 km

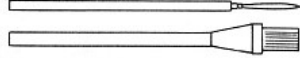
HASEGAWA SEISAKUSHO CO.,LTD. / 1193-2 Yagusu, Yaizu, Shizuoka, Japan

BEFORE ASSEMBLING

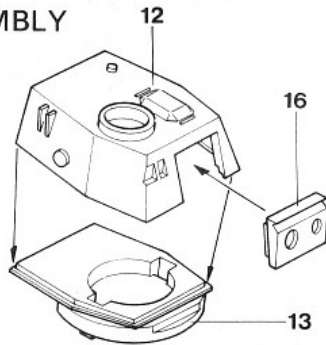
- First read all the instructions and follow them when working on the model.
 - Cut off the parts from the stem with a nipper or a cutter.
 - Remove the burr from the surface with a file.
 - Do not apply too much adhesive to the parts.
- * After the parts are taken out, cut the bag in pieces to prevent infants from covering their head.

MODEL COLORS

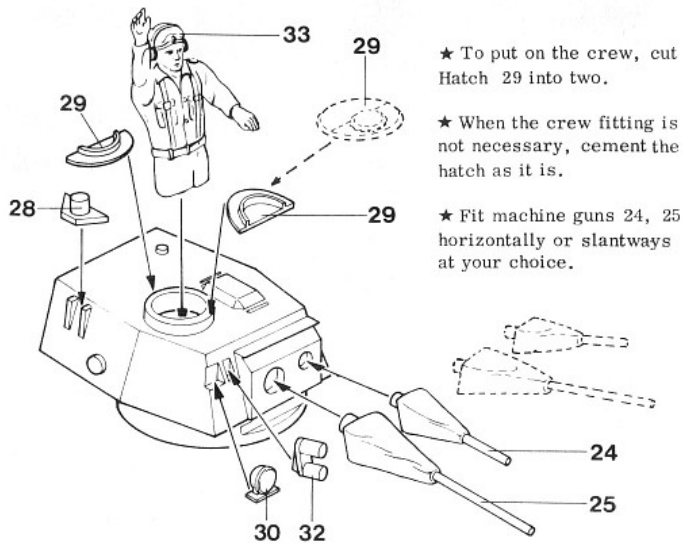
To beautify your model, paint each parts. The model colors are numbered from ①~⑫. Use wide brush to paint the wide area and the pointed one for tiny parts.



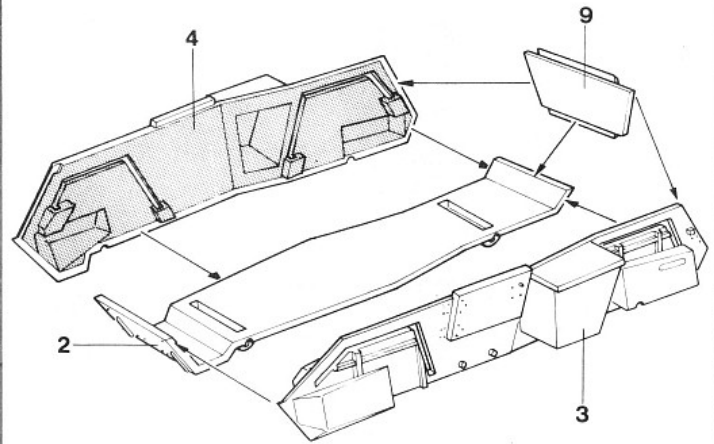
1 CUPOLA ASSEMBLY



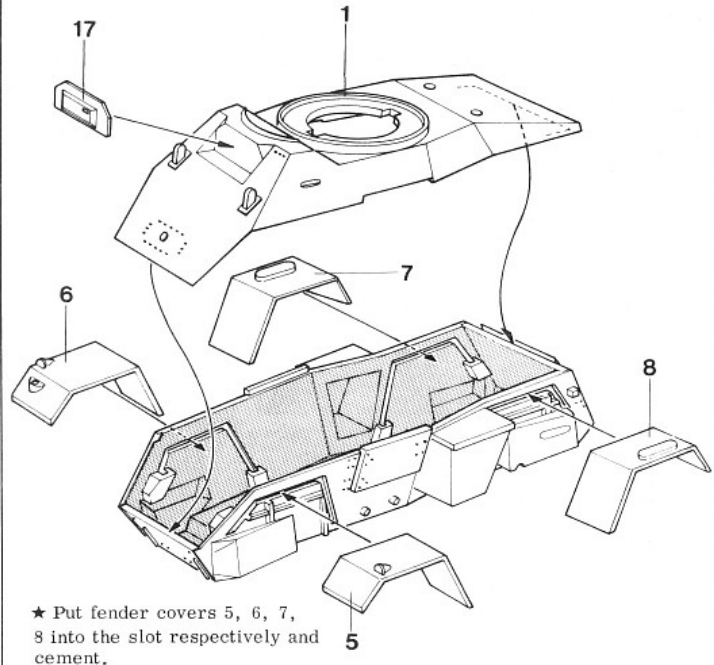
2 CREW FITTING



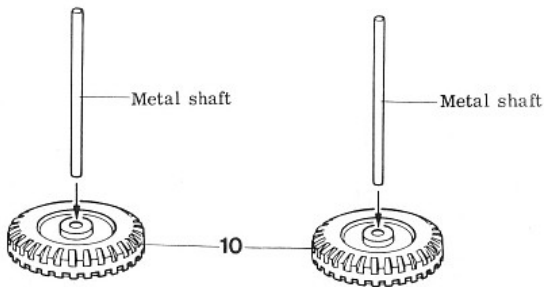
3 CHASSIS UNDERSIDE ASSEMBLY



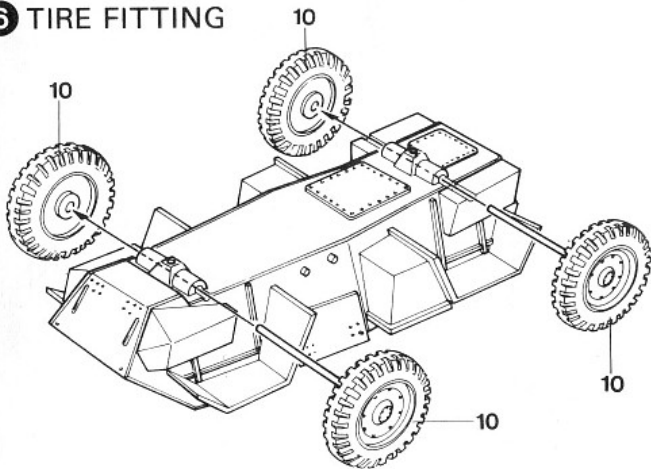
4 BODY UPSIDE FENDER COVER INSTALLATION



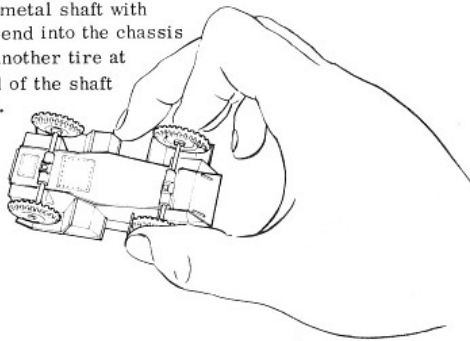
5 METAL SHAFT FITTING ★ Tap the metal shafts lightly with a hammer.



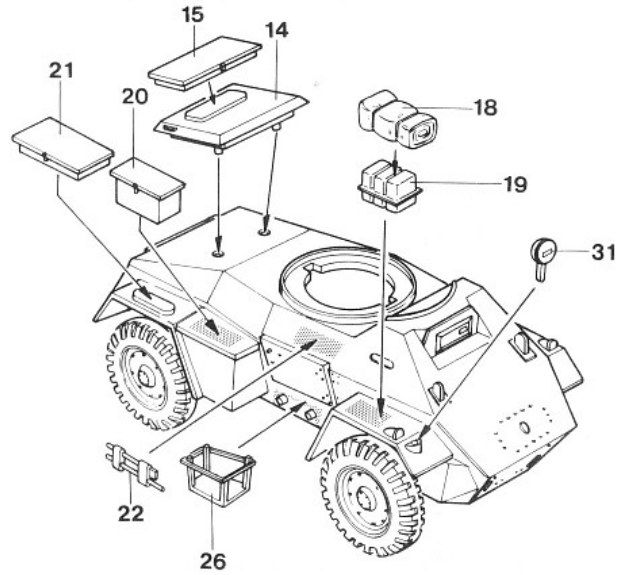
6 TIRE FITTING



★ Insert the metal shaft with a tire at one end into the chassis and push in another tire at the other end of the shaft with a finger.

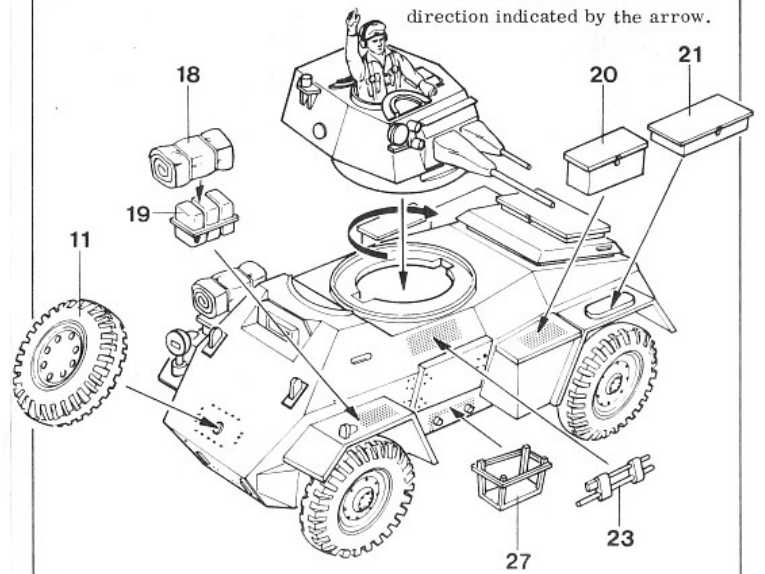


7 TOOL BOX FITTING



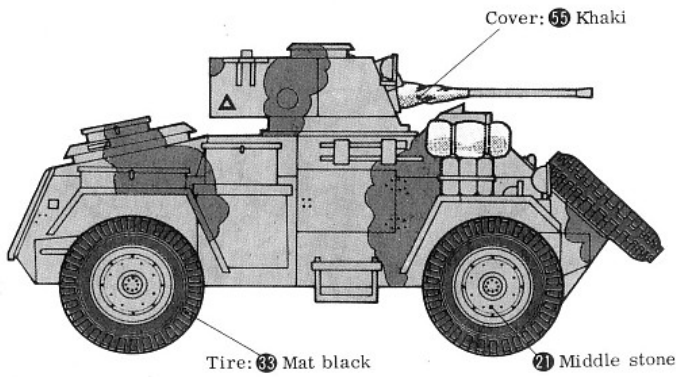
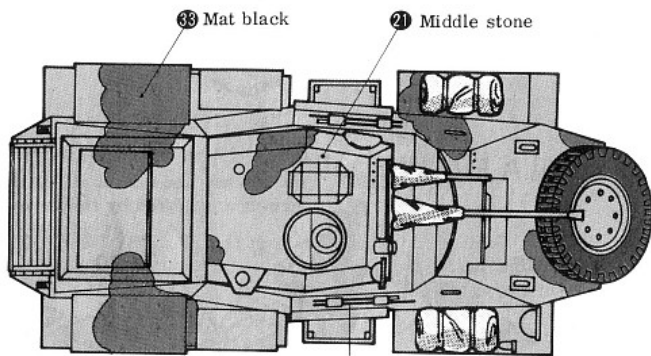
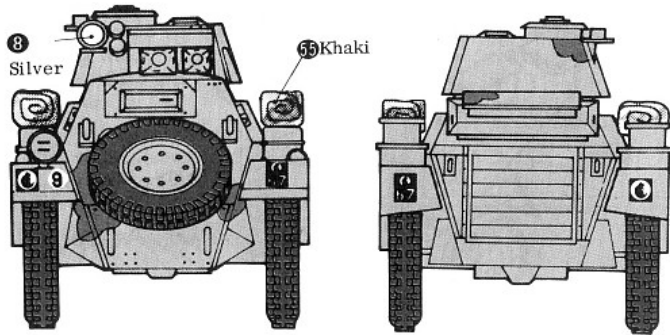
8 CUPOLA FITTING

★ Do not cement the cupola; adjust to the notches and turn it 90° in the direction indicated by the arrow.

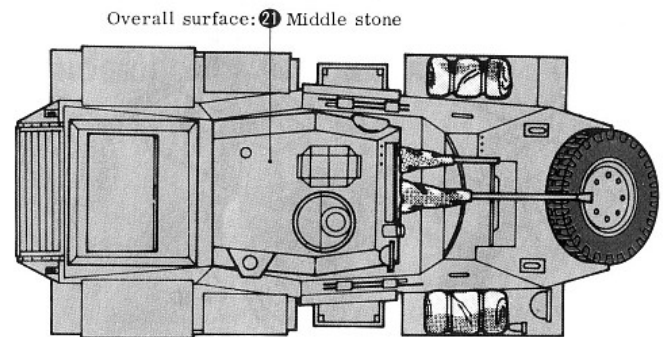
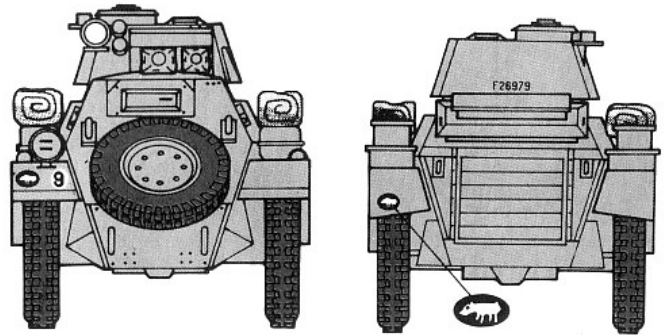


Marking & Color Painting Guide

1 R.A. 7th Arm/Div, 5th Royal Tank Regt,
4th Armoured Brigade



2 R.A. 12th Royal Lancers, 1st Armoured Div.



Painting of details is similar to 1 .

