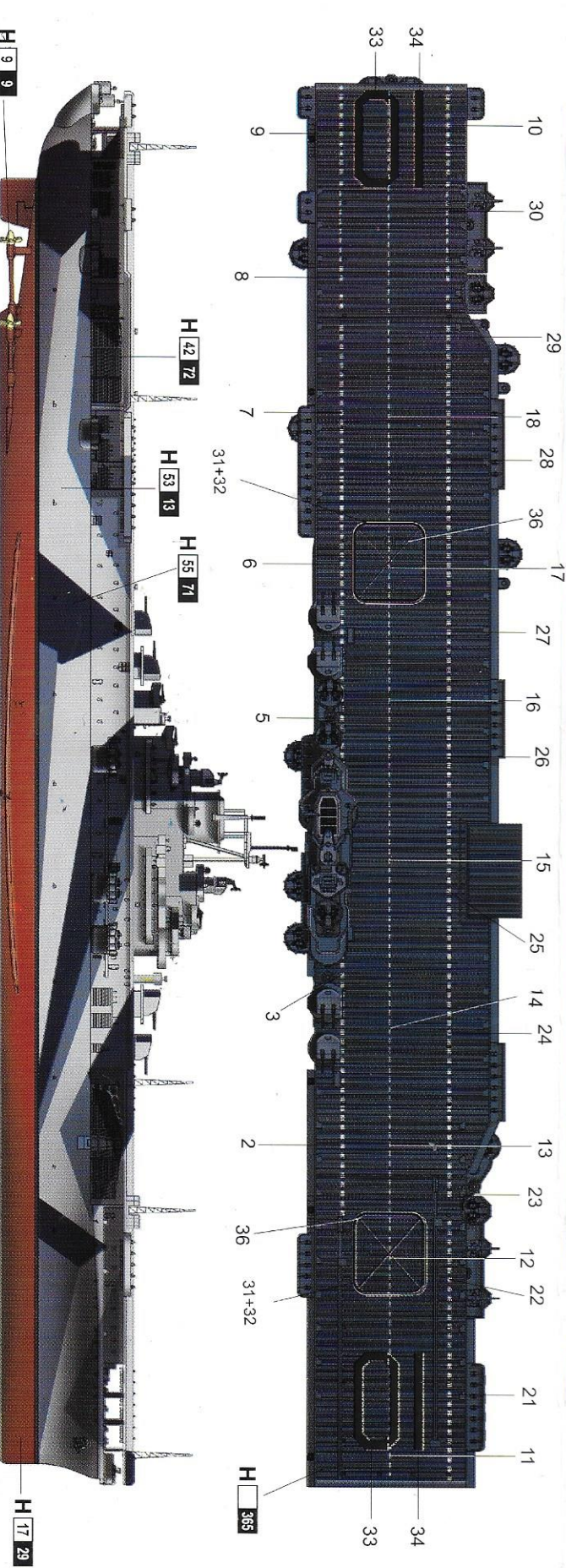
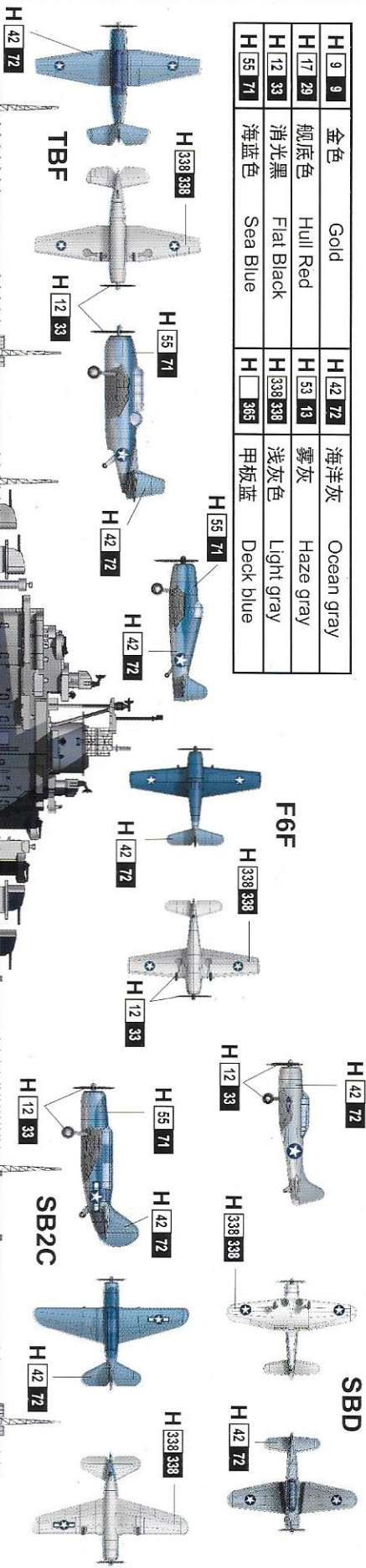


涂装同标贴指示 Painting & Marking guide

H 9 9	金色	Gold	H 42 72	海洋灰	Ocean gray
H 17 29	舰底色	Hull Red	H 53 13	雾灰	Haze gray
H 12 33	消光黑	Flat Black	H 338 338	浅灰色	Light gray
H 55 71	海蓝色	Sea Blue	H 365	甲板蓝	Deck blue

H GUNZE SANGYO AQUEOUS HOBBY COLOUR

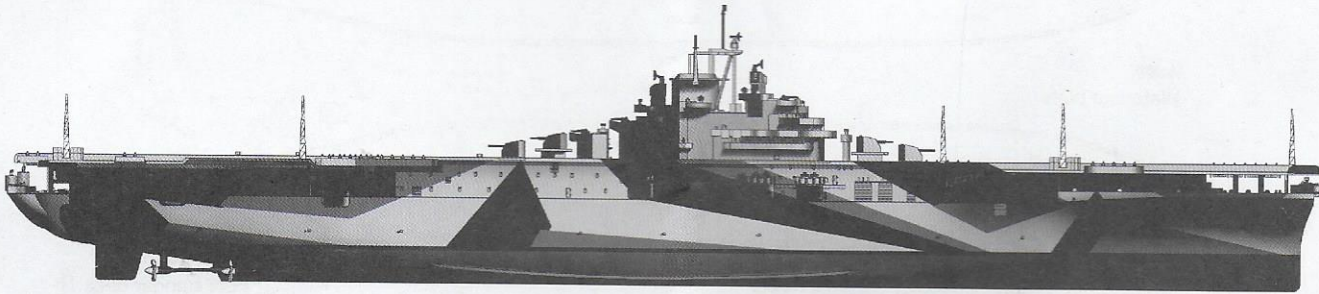
X GUNZE SANGYO MR COLOUR



1:700 Scale

USS YORKTOWN CV-10

美国约克城号航空母舰CV-10



READ BEFORE ASSEMBLY

- Study and understand these instructions thoroughly before beginning assembly. Make sure all parts are included by comparing them to those shown on pages 2 & 3 of these instructions.
- Remove parts from sprues as needed, and trim excess with a hobby knife. Be careful not to lose small parts. Remove photo-etch parts from sprue as needed using a hobby knife or photo etch cutter.
- Apply cement to photo etch parts as shown on instructions.
- Applying too much cement will restrict the operation of these movable parts. Apply cement carefully! Removed photo etch parts can have sharp edges. Take care when handling these to avoid injury.
- Apply decals to necessary parts prior to assembly.
- Additional tools recommended(not included):Sprue cutter, Long nose pliers, hobby knife, file, tweezers, pin vise, scissors, cement, sandpaper, soft cloth, glue and paint.
- Keep all parts out of reach of children, as they pose a choking hazard. Discard all unnecessary bags and sprues when model is completed to avoid accidental injury.

装配之前仔细阅读

- 小心用模型锉刀锉平所有零件表面的注射浇口。
- 小心用刀片切下蚀刻片零件，不要遗失小零件。
- 用强力快干胶水粘合蚀刻片零件和金属轴。过量的快干胶水使用可能导致可动零件会粘住，小心涂胶。
- 取蚀刻片时应特别注意安全，防止利边划伤手指。
- 某些零件表面需贴水上贴纸，请选择在装配的同时进行。
- 推荐模型工具(自备)：胶水、水口剪刀、长咀钳、刀片、锉刀、镊子钳、钻、剪刀、瞬间快干胶。
- 软布同砂纸同时也应该是必备工具。
- 请使用塑料胶水和油漆，模型内不含。
- 谨防小孩吮吸塑料零件，或者将塑料袋套在头上，制作时应将套材远离小孩接触。



cyanoacrylate glue
使用强力胶



weight
配重



make hole
钻孔



cut / remove
切除



bend
弯曲



file / sand
锉平



option
选择



no cement
不涂胶水



decal
贴纸

水贴纸的使用:

1. 从水贴上剪下印花;
2. 将印花放入温水中浸10秒, 然后放在干净布上。
3. 拿着印花纸板将印花移到模型上;
4. 手指蘸水将印花移到适当的位置;
5. 用软布轻压印花直至水干, 气泡消失。

DECAL APPLICATION

1. Cut off decal from sheet.
2. Dip the decal in tepid water 40°C for about 10 sec. and place on a clean cloth.
3. Hold the backing sheet edge and slide decal onto the model.
4. Move decal into position by wetting decal with finger.
5. Press decal gently down with a soft cloth until excess water and air bubbles are gone.

部品图 Parts

上船体
Upper hull



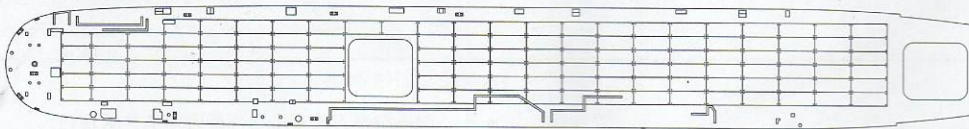
下船底
Lower hull



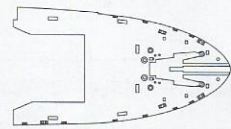
水线板
Waterline plate



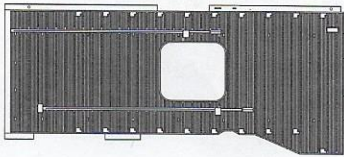
后机库甲板
Stern hangar deck



前机库甲板
Fore hangar deck



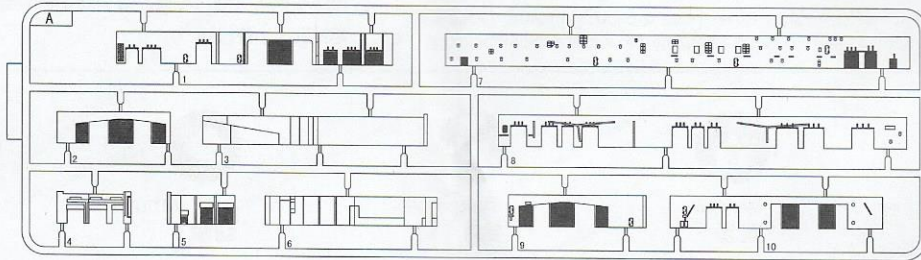
前飞行甲板
Fore flight deck



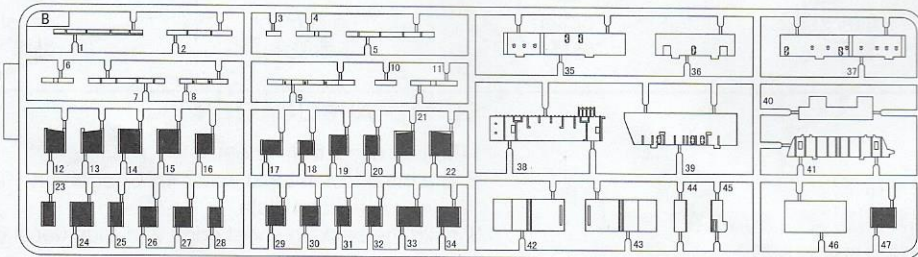
后飞行甲板
Aft flight deck



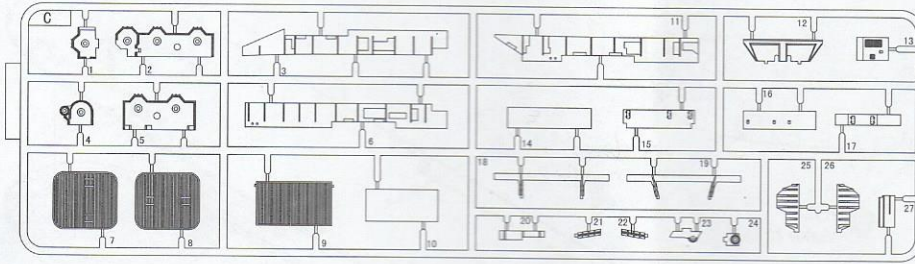
A



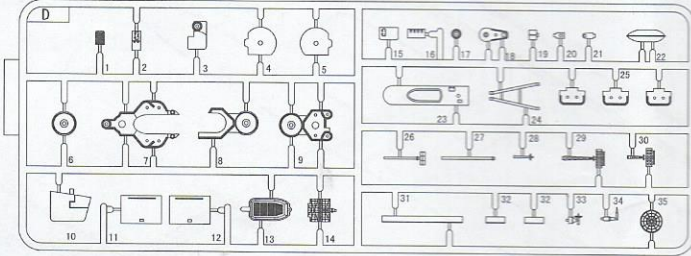
B



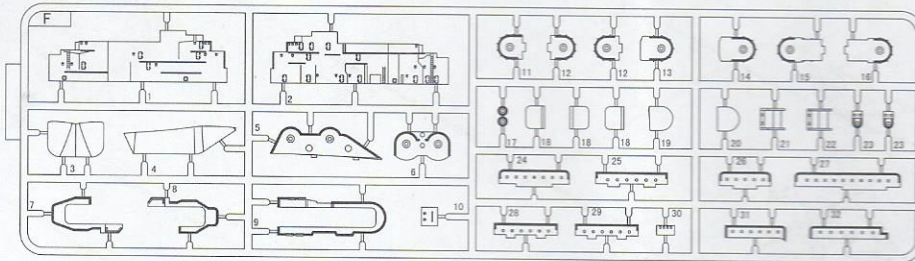
C



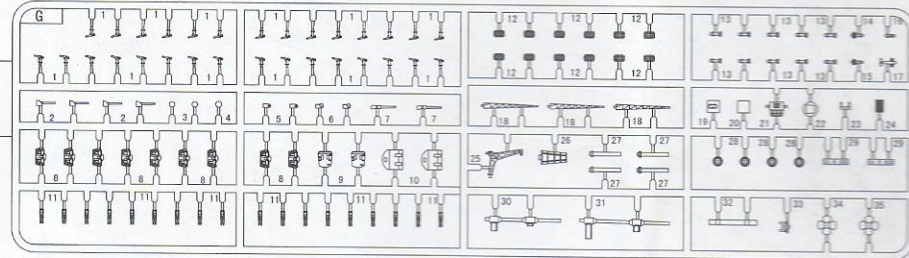
D



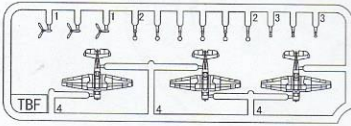
F



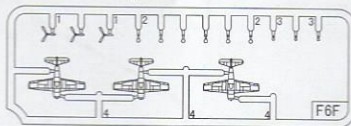
G×2



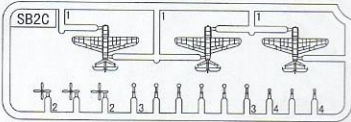
TBF×4sprue



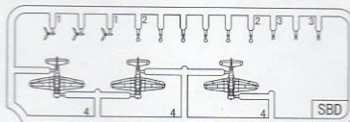
F6F×4sprue



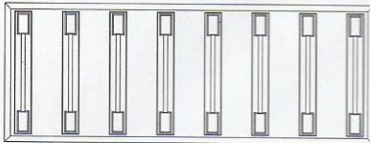
SB2C×4sprue



SBD×4sprue



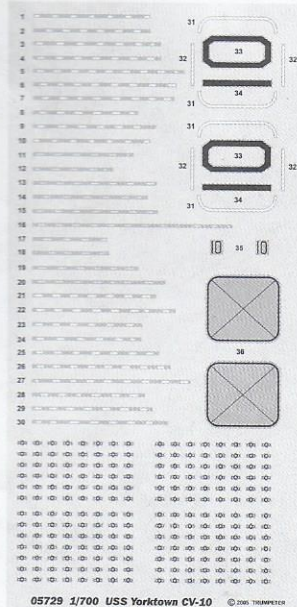
座架
Stand



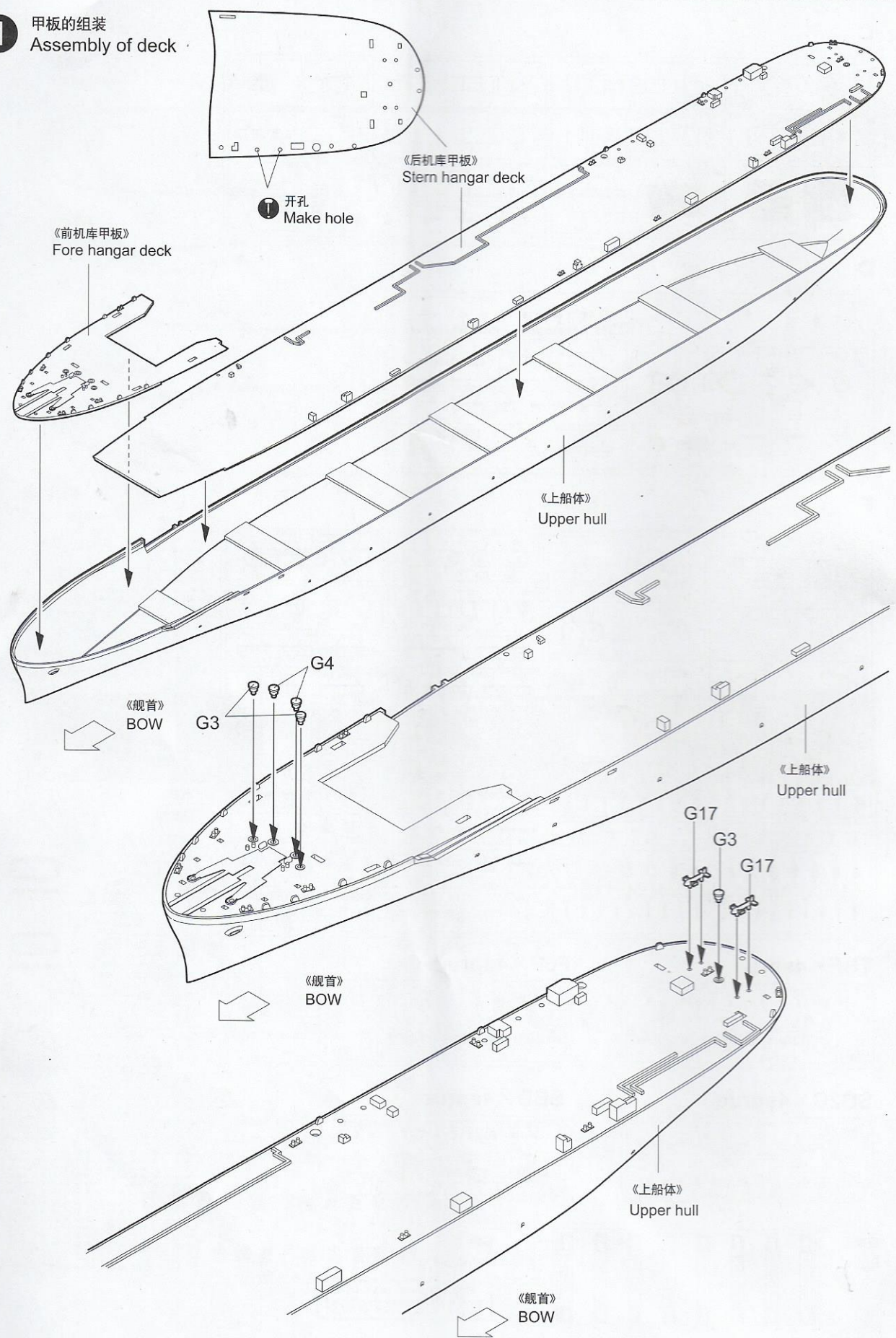
铭牌
Name plate



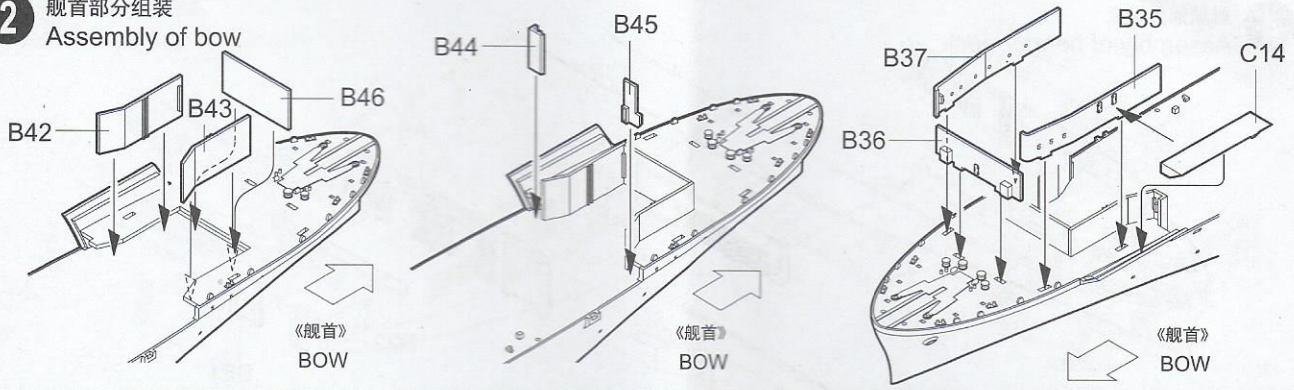
水贴
Decal



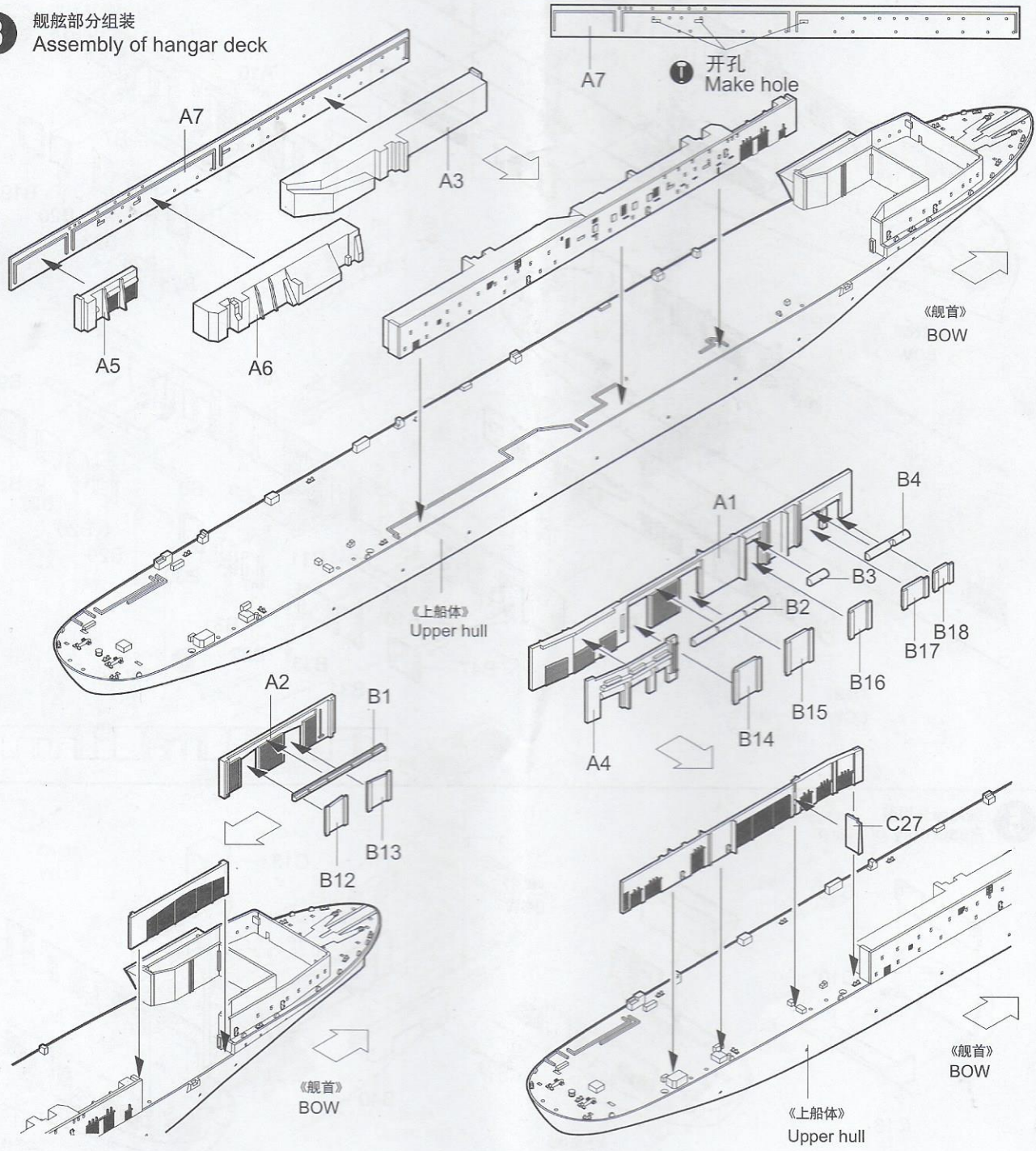
1 甲板的组装
Assembly of deck



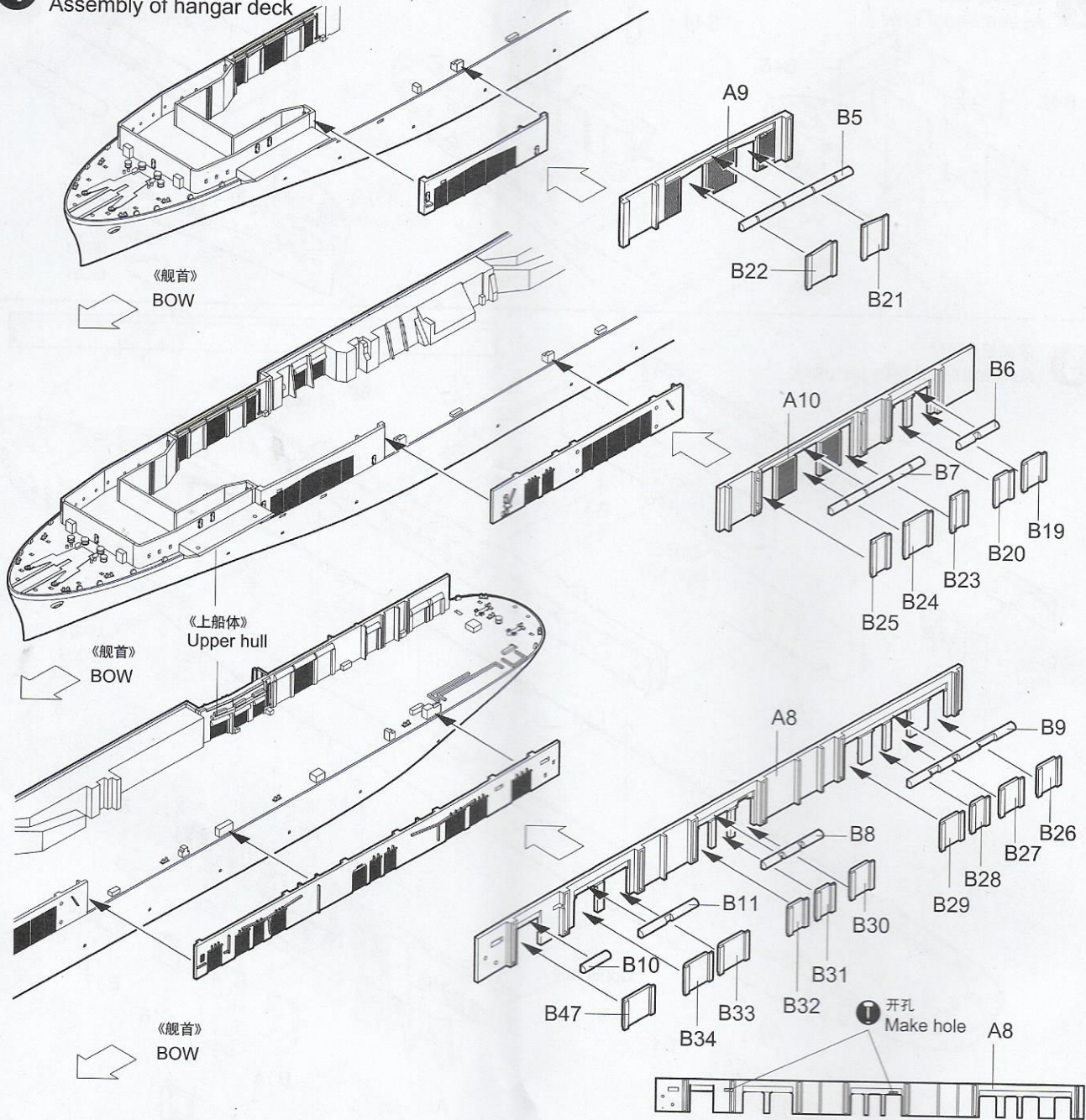
2 舰首部分组装
Assembly of bow



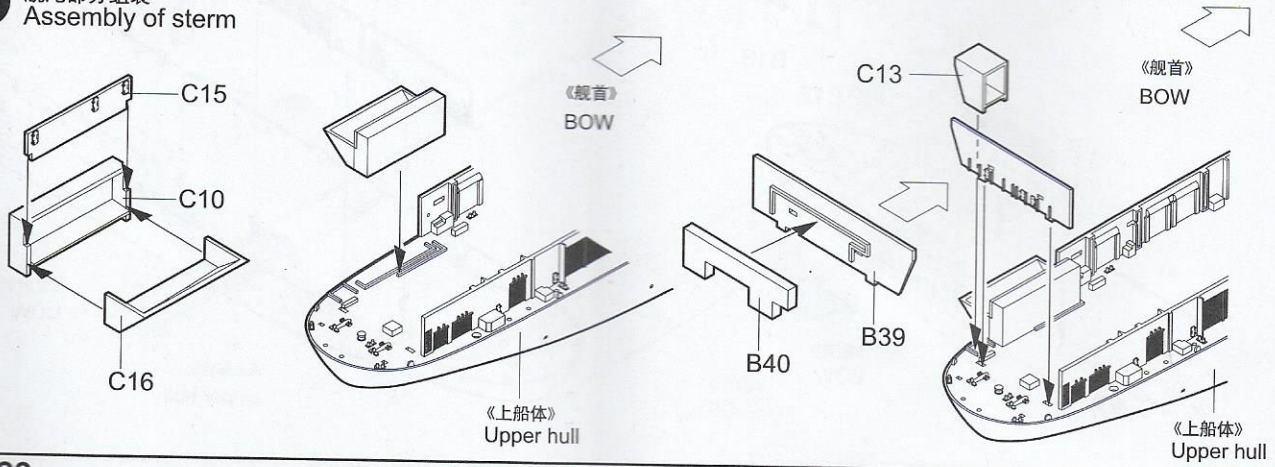
3 舰舷部分组装
Assembly of hangar deck



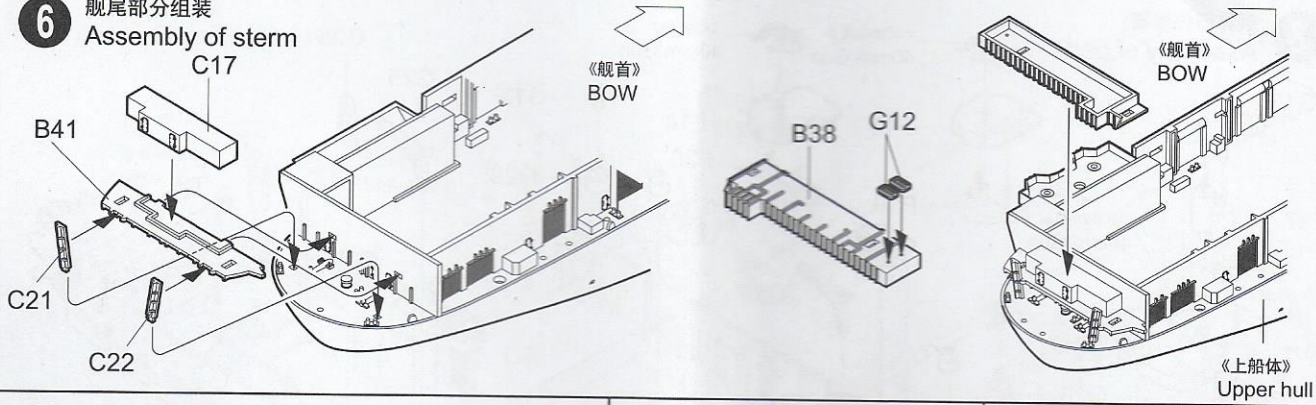
4 舰舷部分组装
Assembly of hangar deck



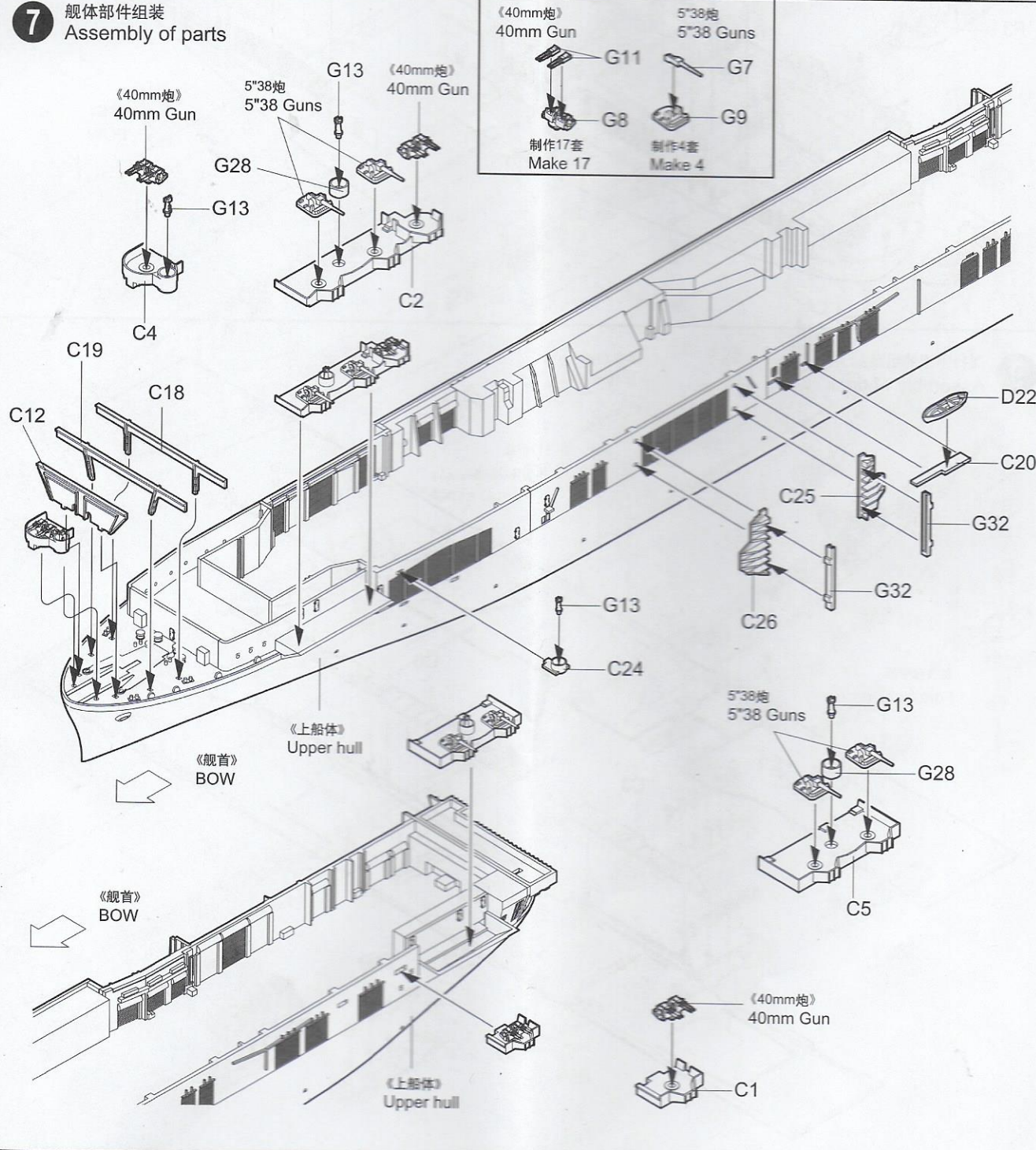
5 舰尾部分组装
Assembly of stern



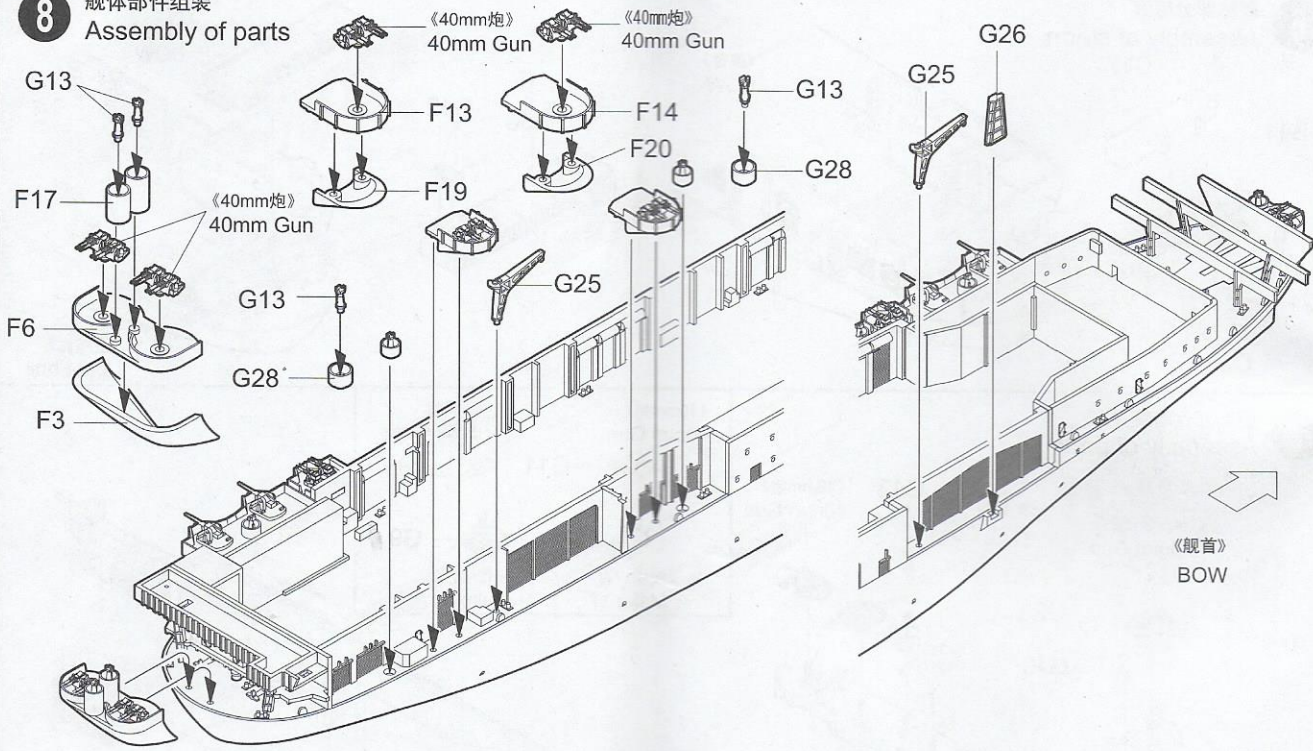
6 舰尾部分组装
Assembly of stern



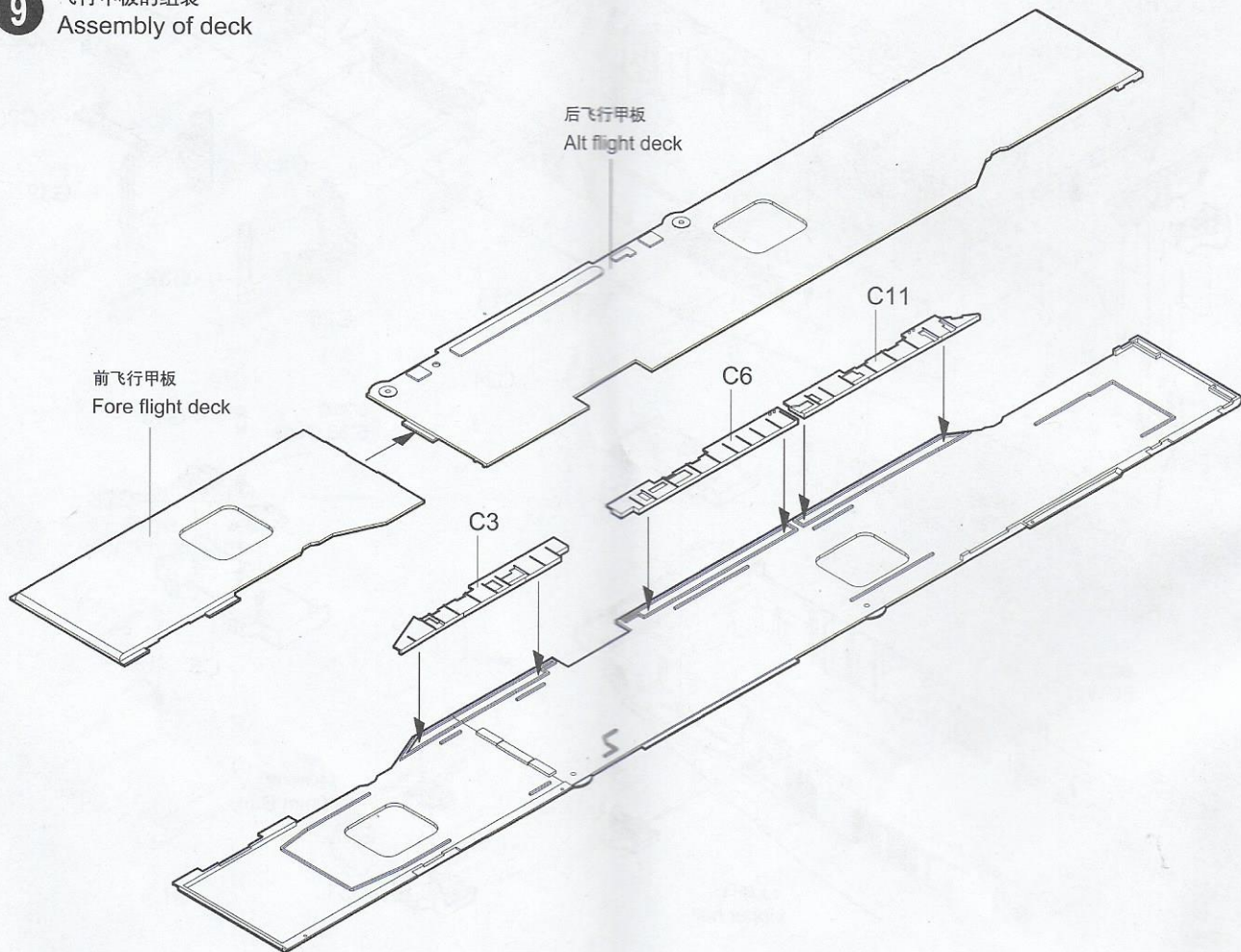
7 舰体部件组装
Assembly of parts



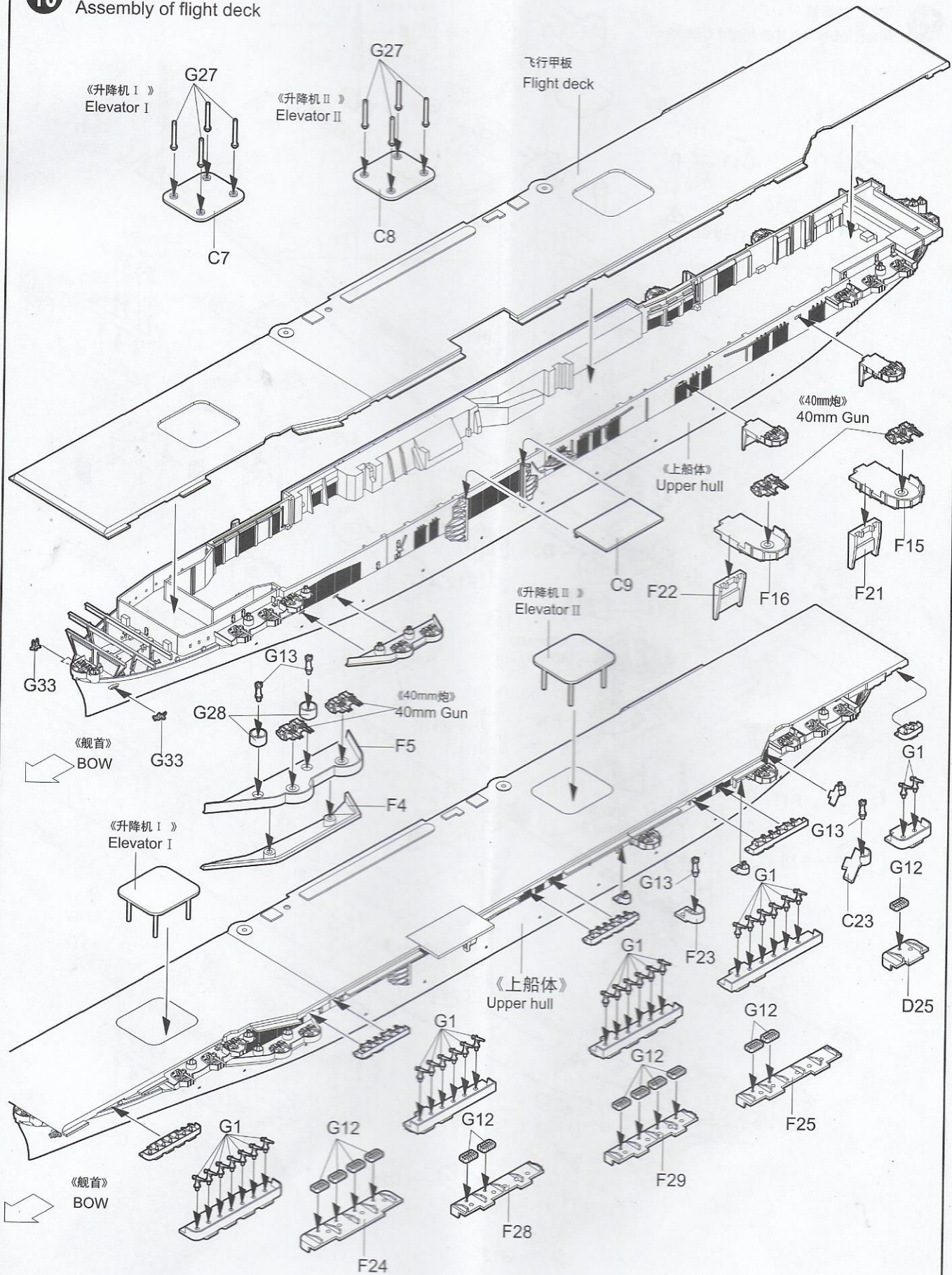
8 舰体部件组装
Assembly of parts



9 飞行甲板的组装
Assembly of deck



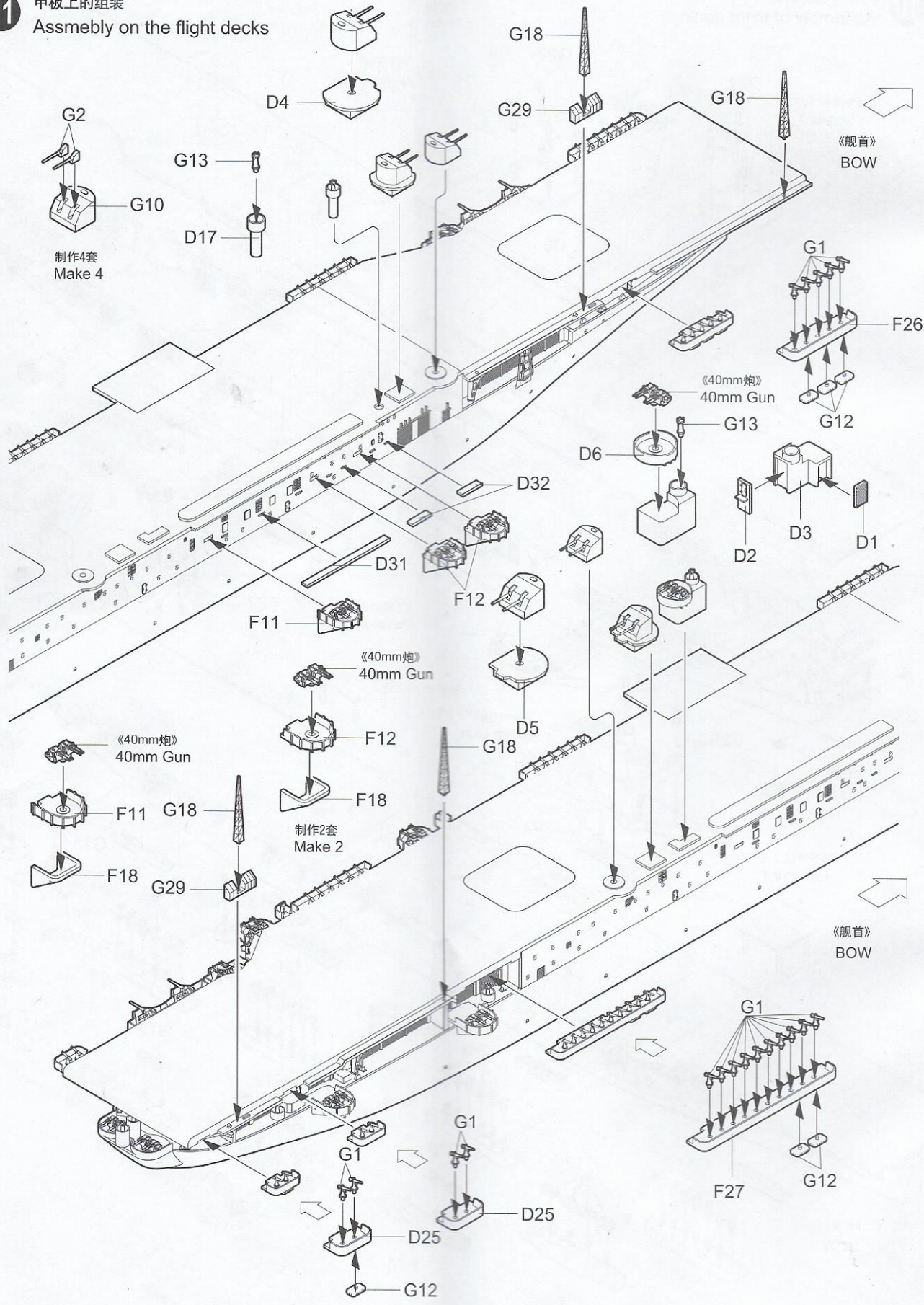
10 飞行甲板的组装
 Assembly of flight deck



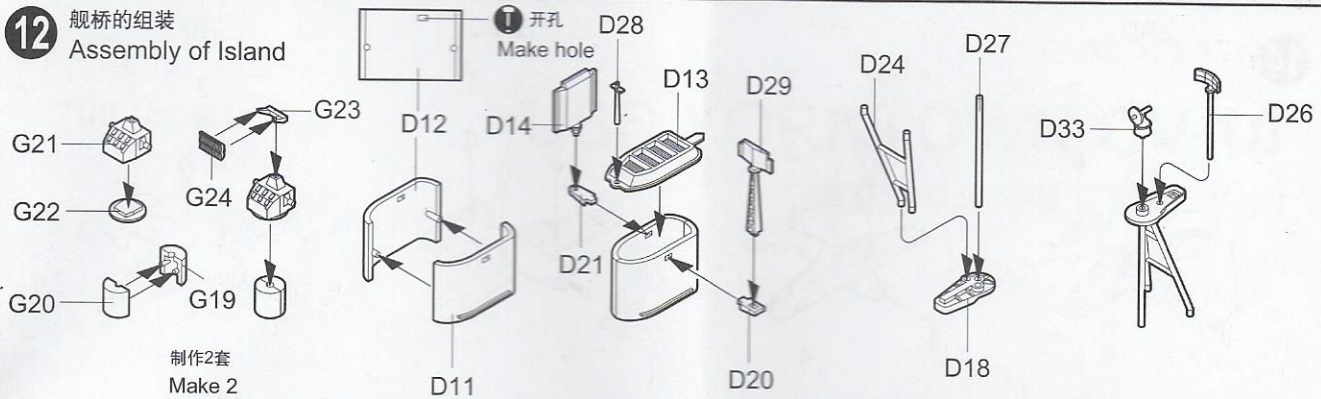
11

甲板上的组装

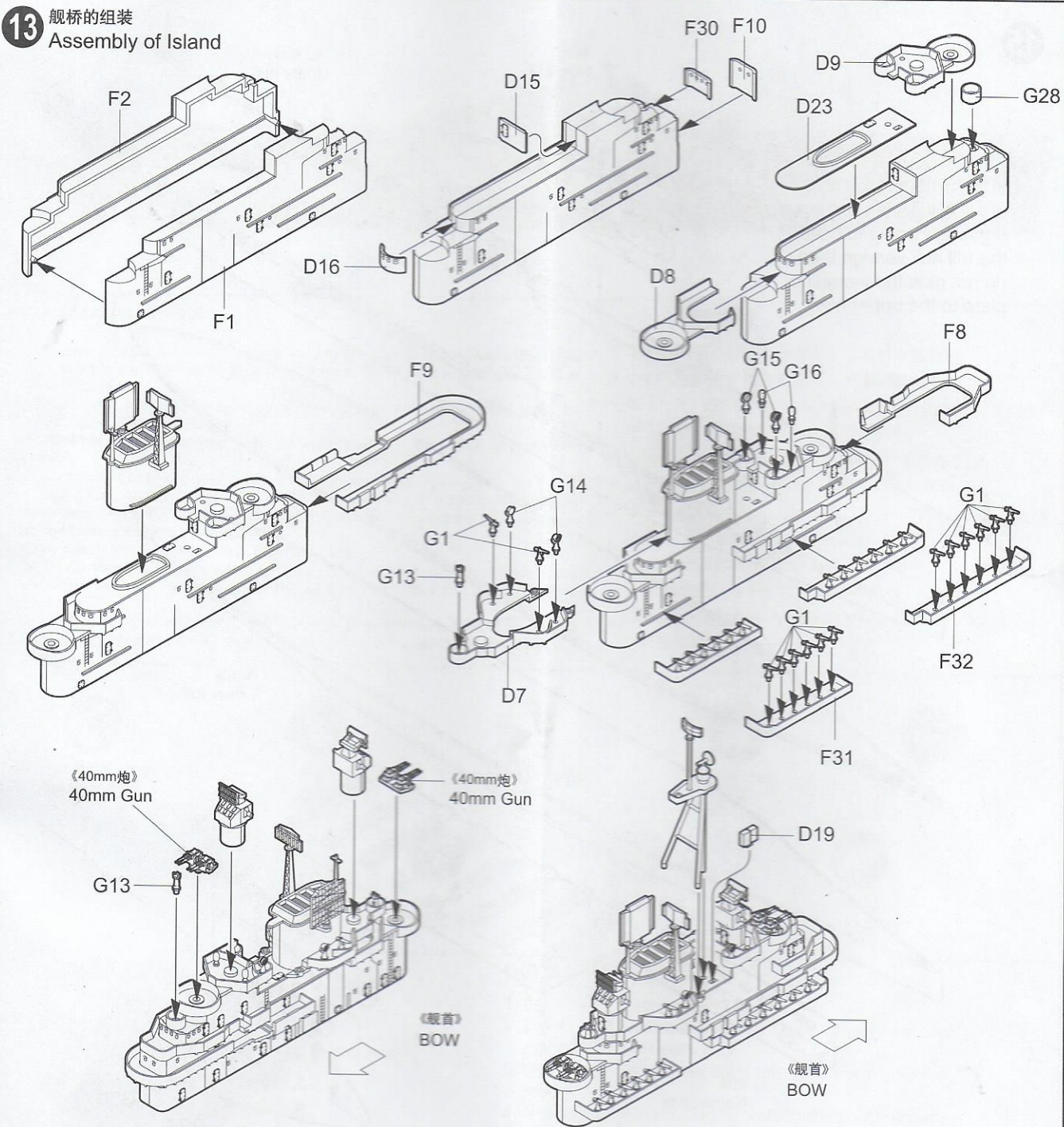
Assembly on the flight decks



12 舰桥的组装
Assembly of Island

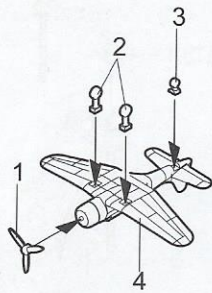


13 舰桥的组装
Assembly of Island

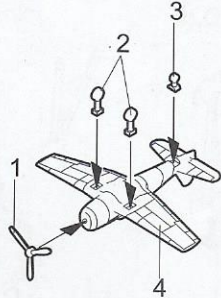


14

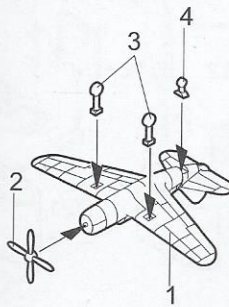
SBD



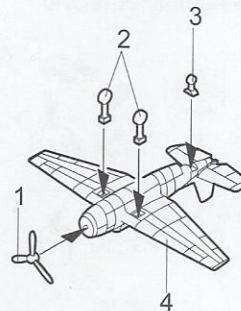
F6F



SB2C



TBF



15

若您打算制作全船底型模型，
请不要把水线板与上部船体粘合。
If you are going to build
the full hull version then
do not glue the waterline
plate to the upper hull.

