

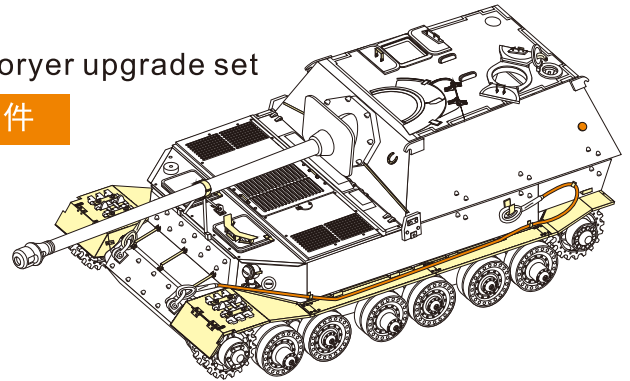
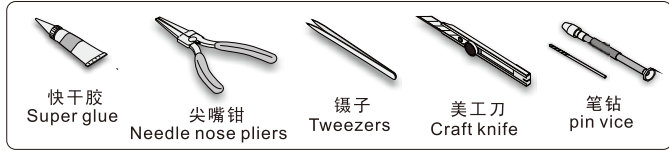
1/35 MILITARY MINIATURE VEHICLE UPGRADE SERIES PE351085

WWII German Sd.Kfz.184 Ferdinand Tank destroyer upgrade set

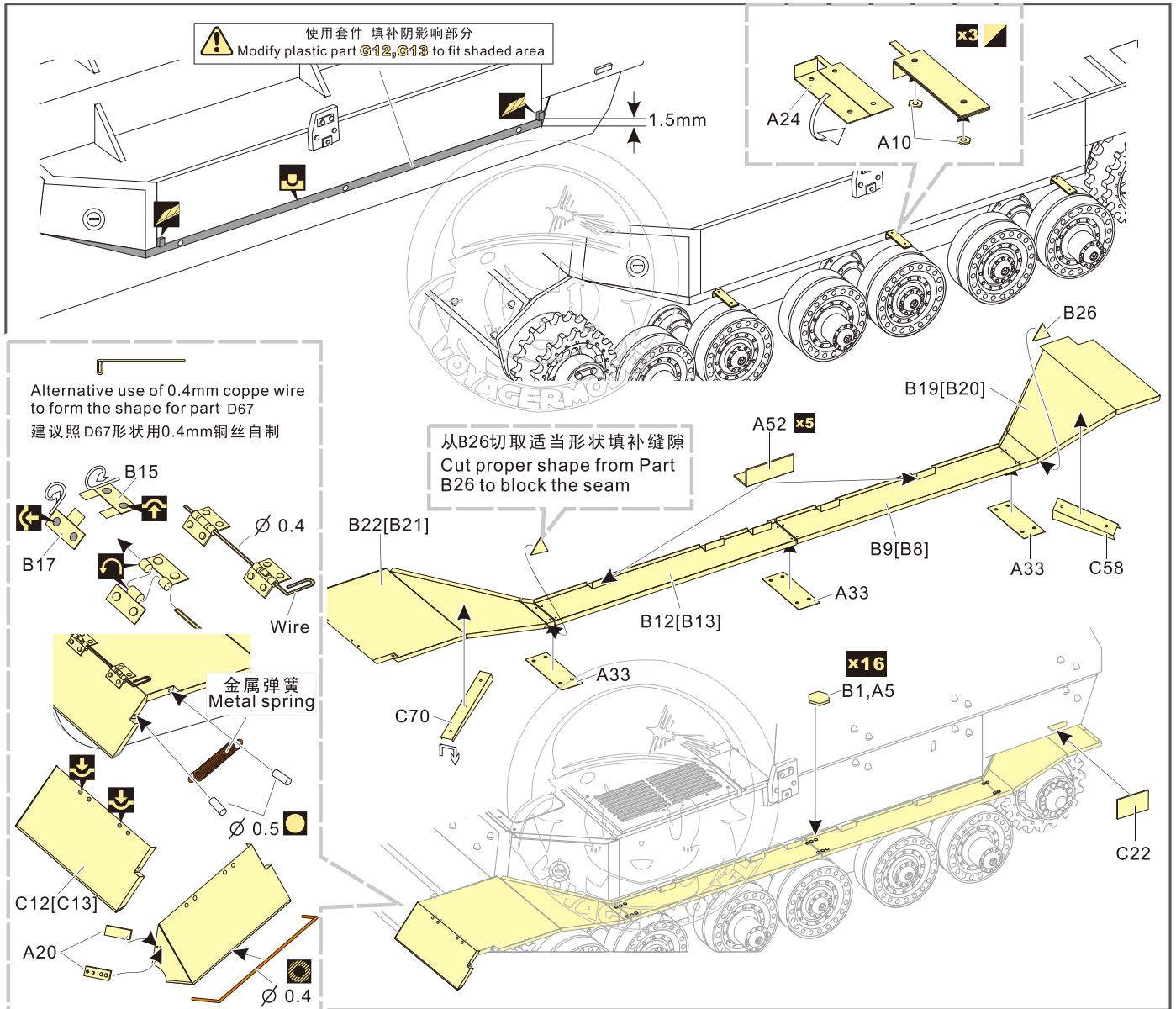
二战德军Sd.Kfz.184 斐迪南 坦克歼击车改造件

[For ZVEZDA 3653]

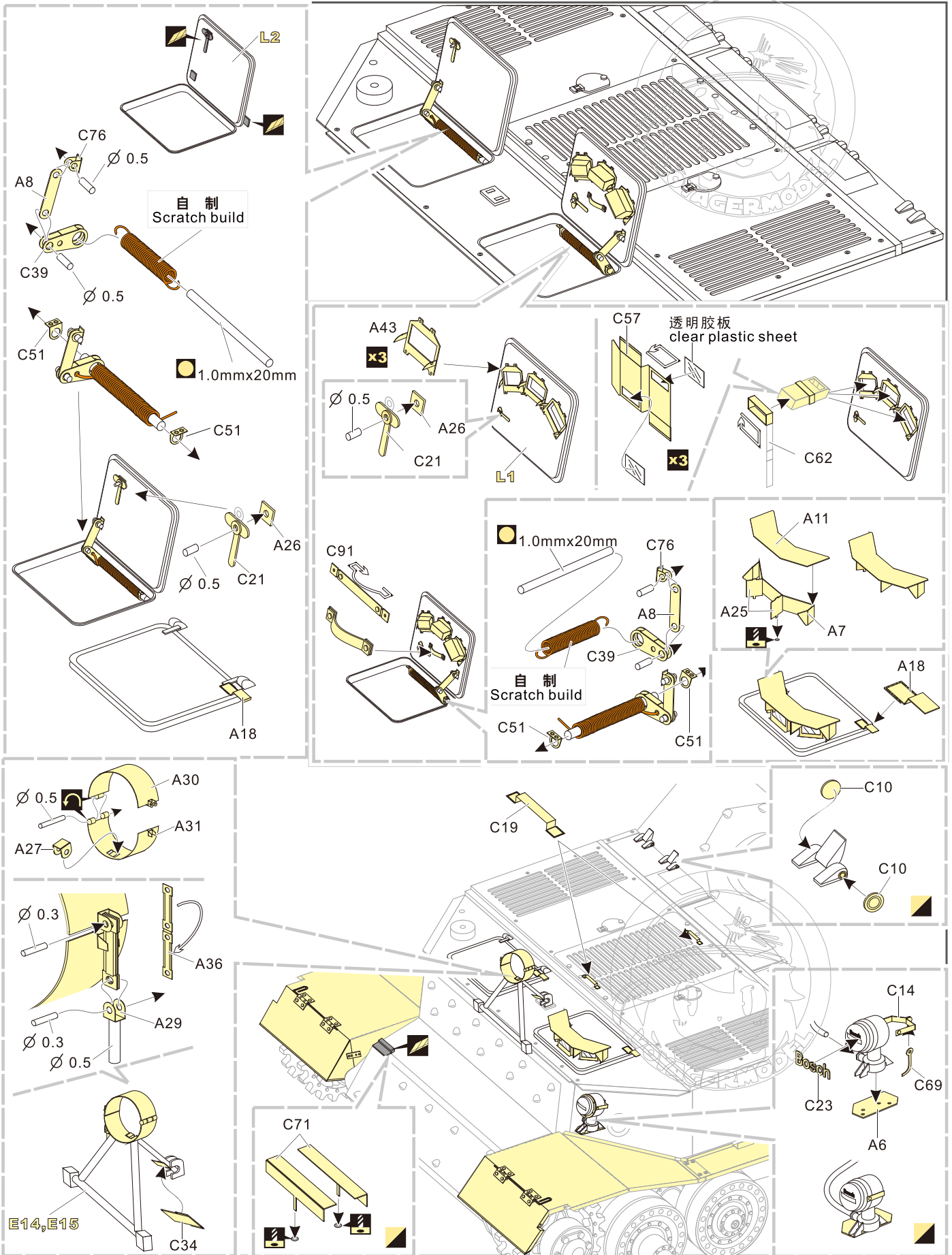
推荐使用工具 RECOMMENDED TOOLS



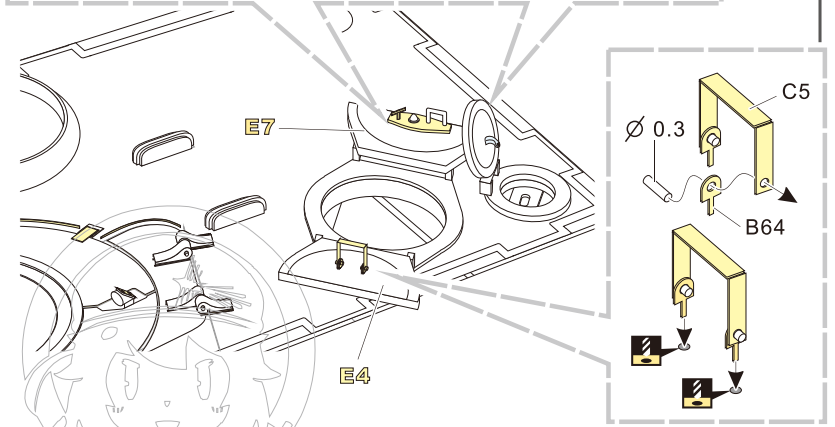
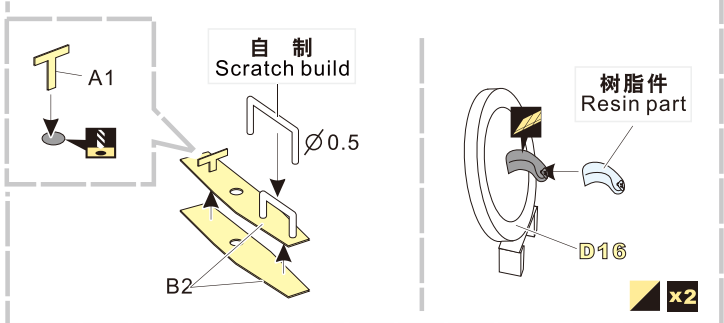
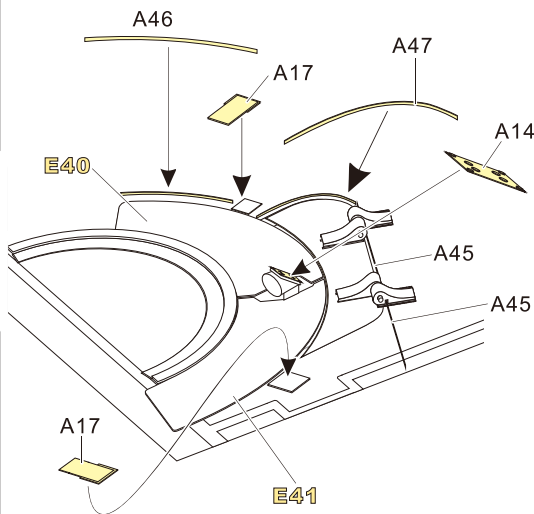
安装 install	折叠 bend	A1 改造件零件编号 PE/resin part number	B12 原零件编号 kit part number	C22 被替换的原零件编号 replaced kit part number	切除 remove	用尖端在凹槽处冲压 use penpoint to press on the dent 圆珠笔 Ballpen 蚀刻片零件内侧面向上 PE part inboard side turn up 用笔尖在凹槽处刮 Use penpoint scratch on the flute
弧度卷曲 radial bending	x2 制作若干组 multiple assembly	另一侧相同制作 repeat on opposite side	选择安装 alternative	钻孔 drill	填补 fill	



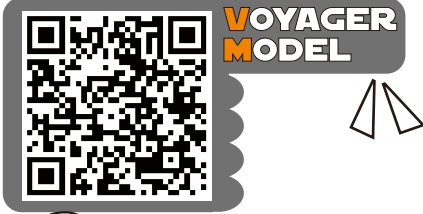
1/35 MILITARY MINIATURE VEHICLE UPGRADE SERIES PE351085



1/35 MILITARY MINIATURE VEHICLE UPGRADE SERIES PE351085

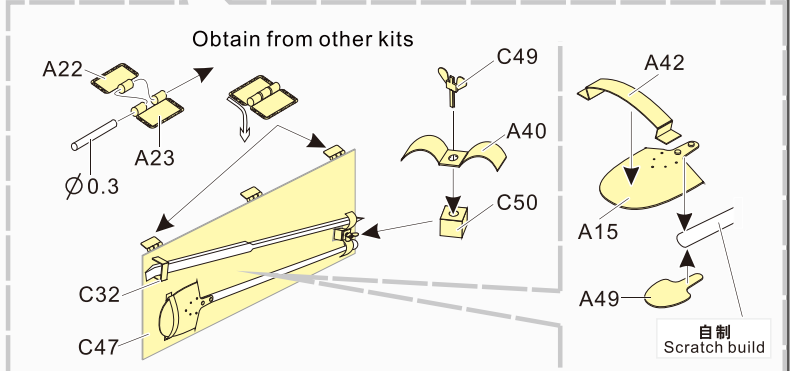
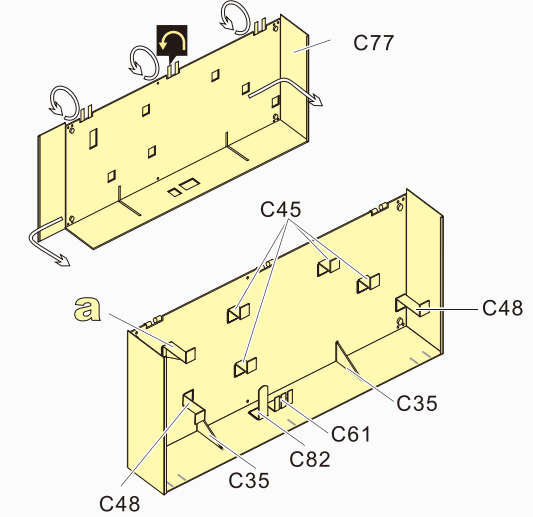
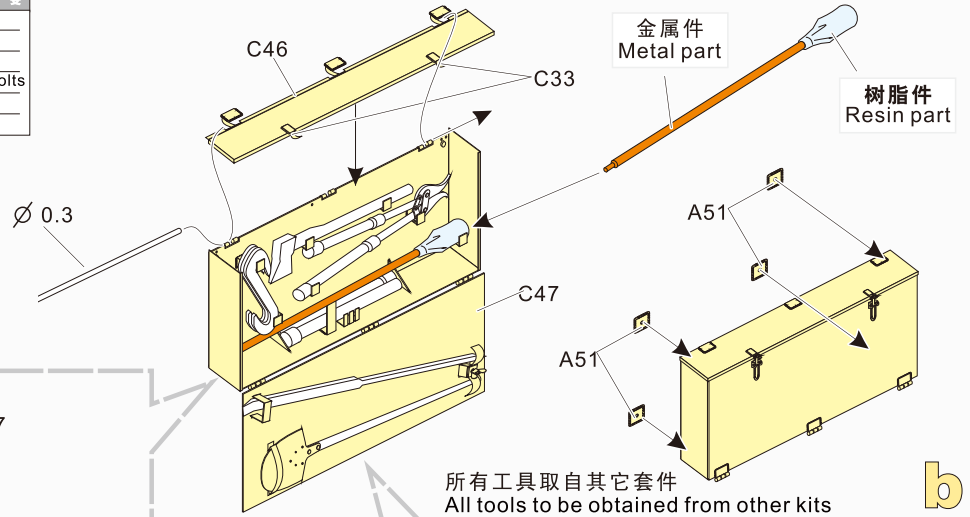
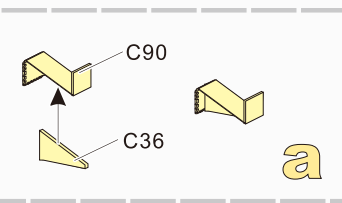


[Http://www.voyagermodel.com/productdetails.asp?itemid=PE351085](http://www.voyagermodel.com/productdetails.asp?itemid=PE351085)

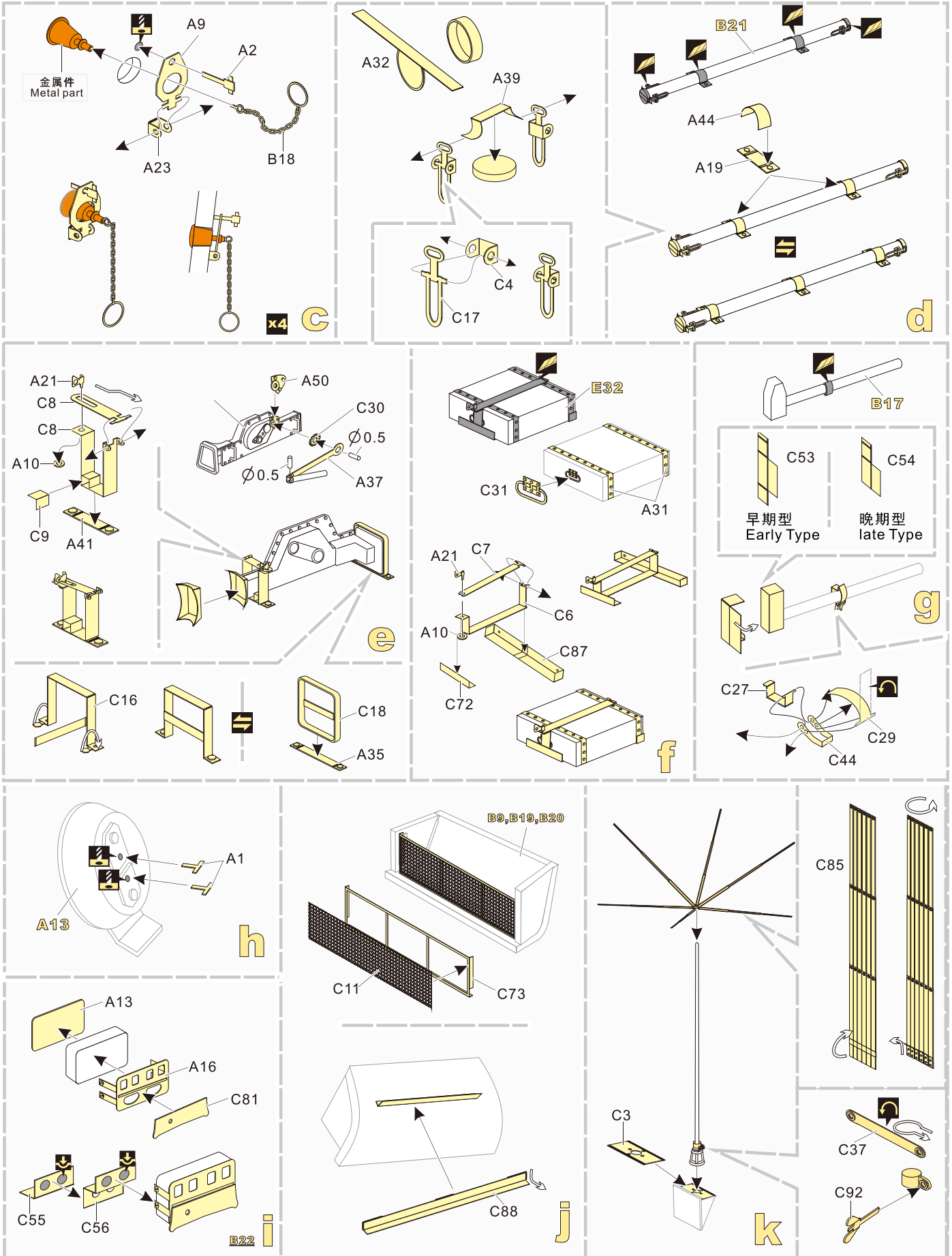


更多PE351085样品照片参考请扫一扫
MORE PICTUER OF PE 351085
REFERENCE SCAN HERE

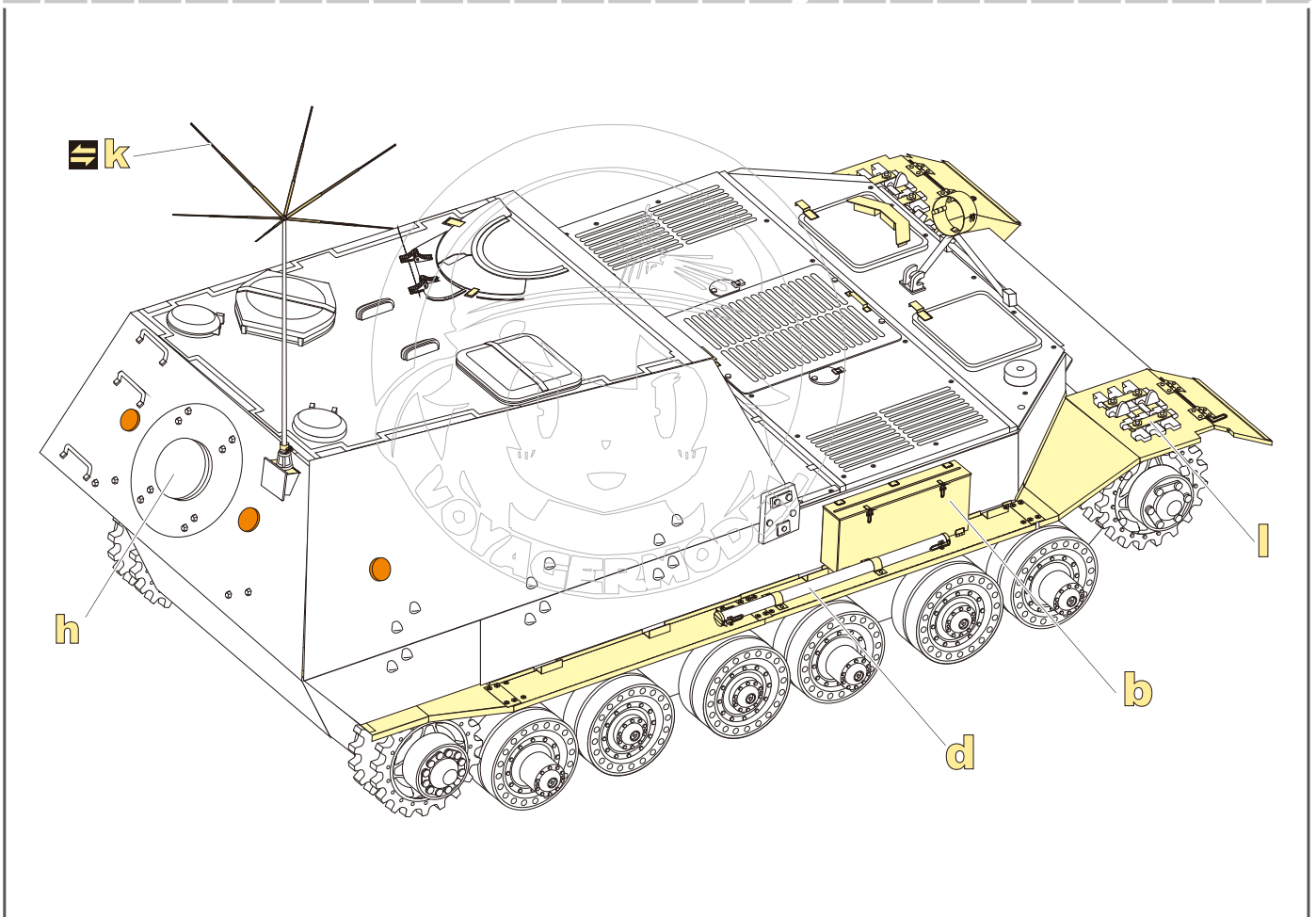
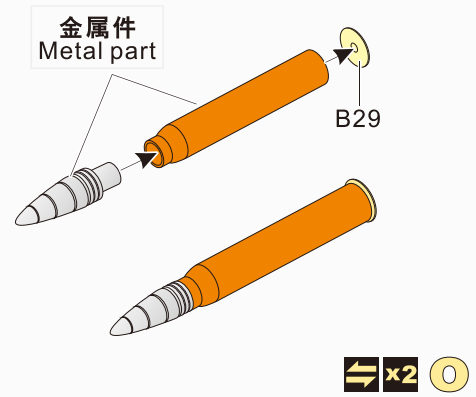
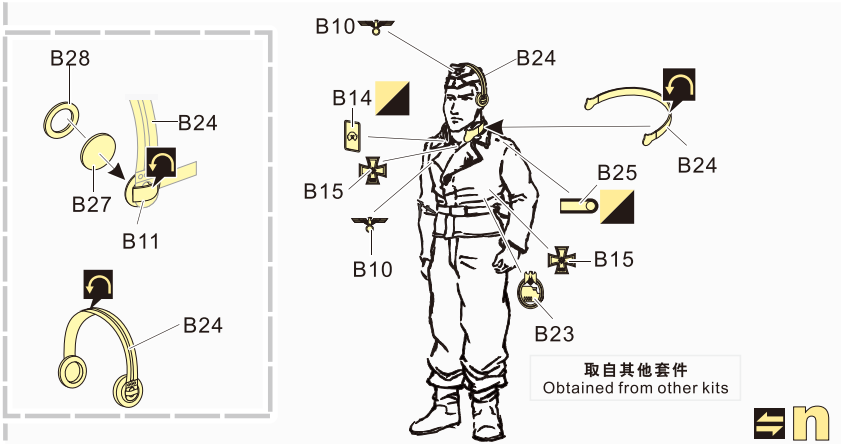
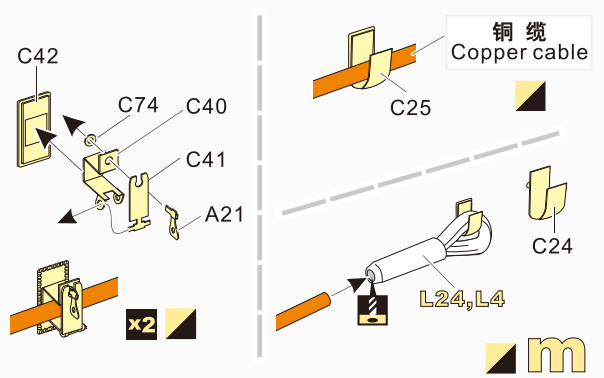
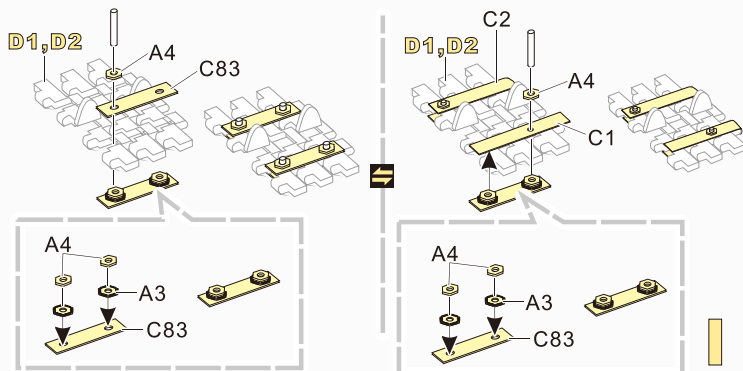
VOYAGERMODEL® 无缝不至 极尽享受	
Recommended item	
Pe351085	
PEA 156	WWII German Elefant/Ferdinand/ Sturmtyger/Tiger (P) Large Conical Bolts
VBS 0128	WWII German Elefant/Ferdinand Barrel w/Mantlet



1/35 MILITARY MINIATURE VEHICLE UPGRADE SERIES PE351085



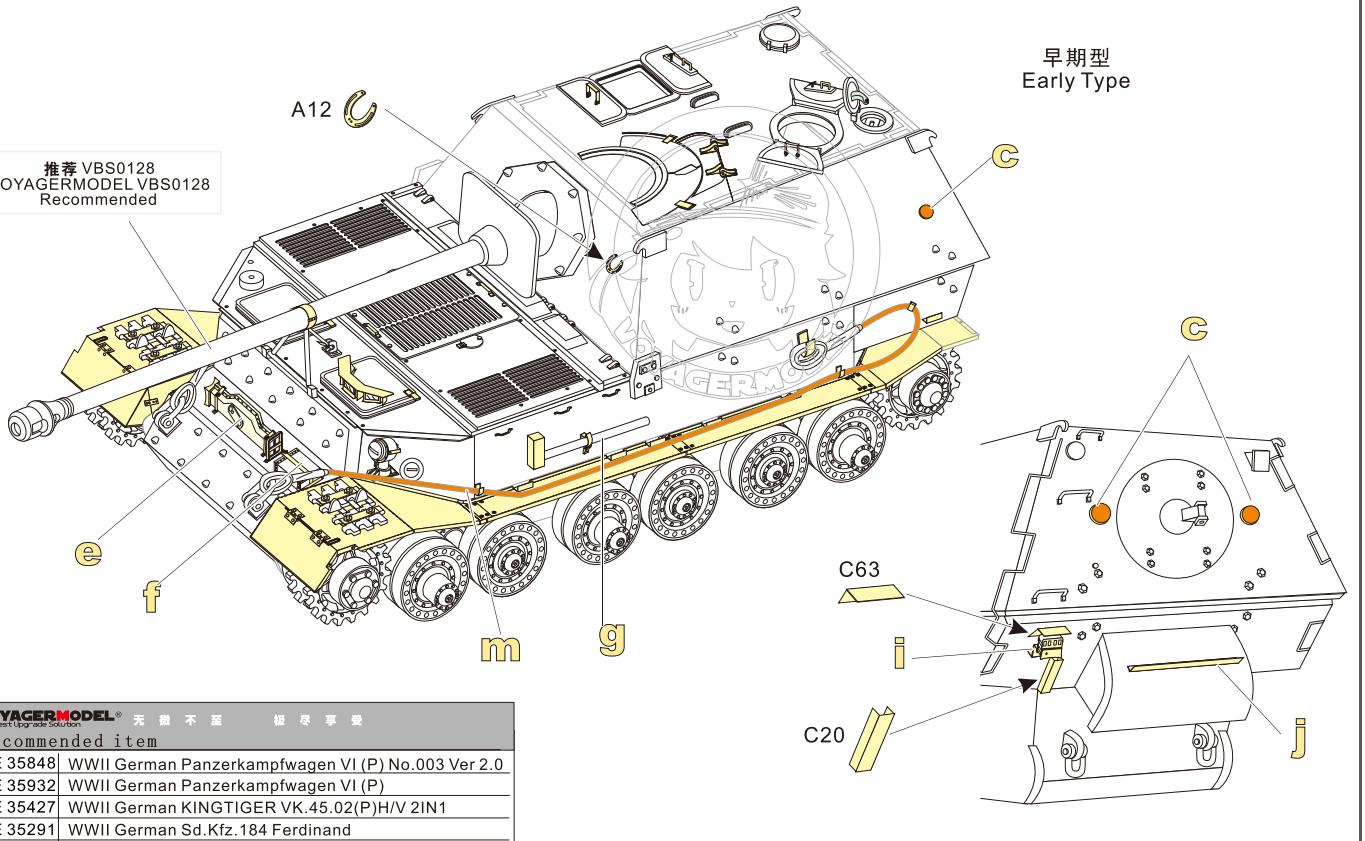
1/35 MILITARY MINIATURE VEHICLE UPGRADE SERIES PE351085



1/35 MILITARY MINIATURE VEHICLE UPGRADE SERIES PE351085

早期型
Early Type

推荐 VBS0128
VOYAGERMODEL VBS0128
Recommended



VOYAGERMODEL® 无微不至 极致享受
The Best Upgrade Solution

Recommended item

PE 35848	WWII German Panzerkampfwagen VI (P) No.003 Ver 2.0
PE 35932	WWII German Panzerkampfwagen VI (P)
PE 35427	WWII German KINGTIGER VK.45.02(P)H/V 2IN1
PE 35291	WWII German Sd.Kfz.184 Ferdinand
PE 35290	WWII German Sd.Kfz.184 Elefant
PE 35520	WWII German Sd.Kfz.184 Elefant Tank destroyer
PE 35059	WWII German Bergepanzer Tiger(P)

晚期型
late Type

