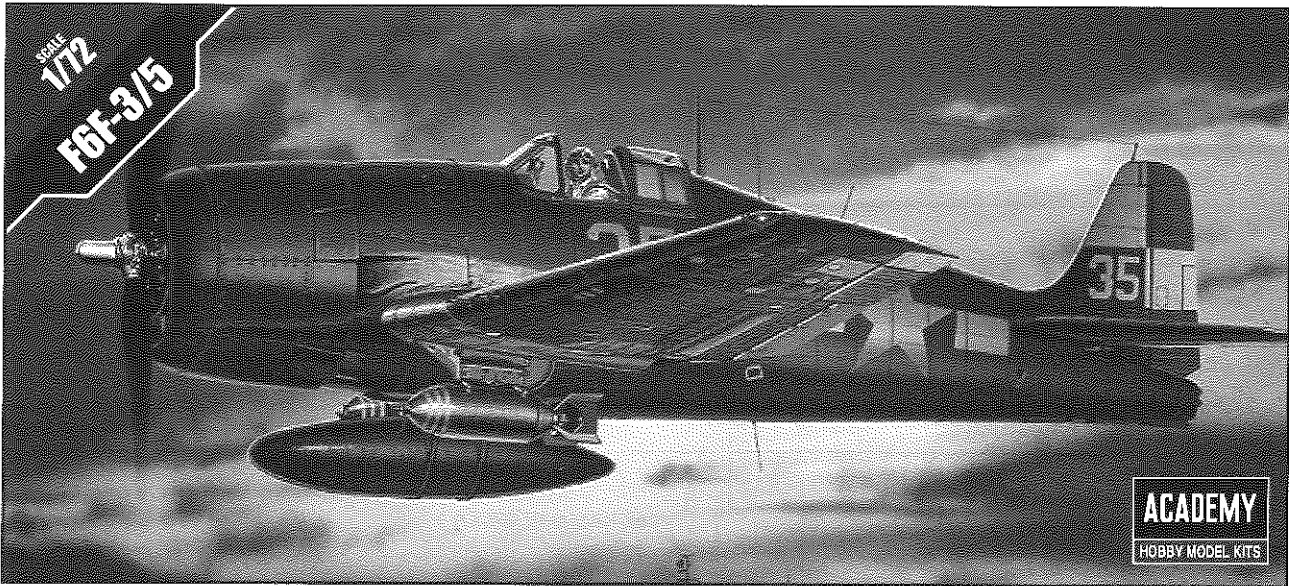
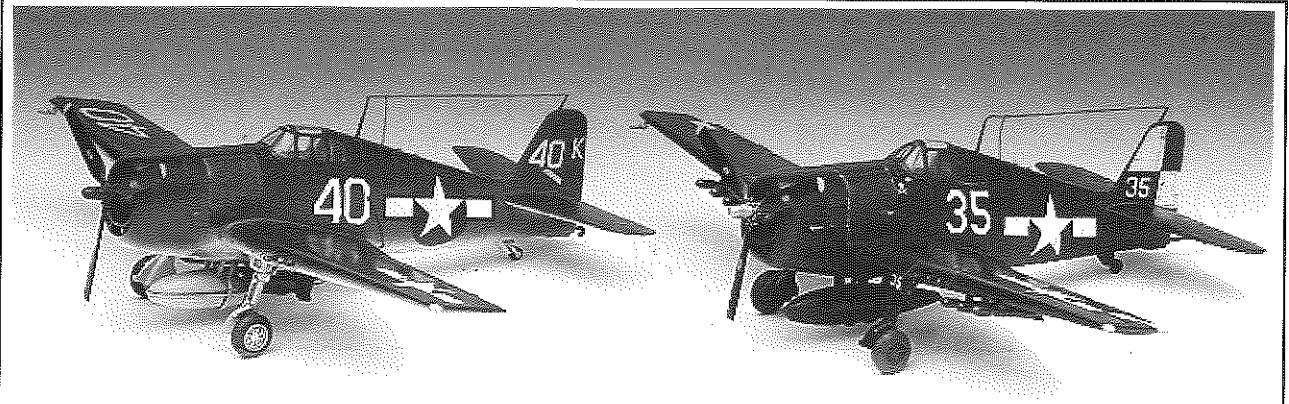


SCALE  
1/72  
F6F-3/5



**ACADEMY**  
HOBBY MODEL KITS



12481

**<READ THIS BEFORE YOU BEGIN>**

- Study the instructions before assembling. - Check the fit of each piece before cementing into place.
- Do not use too much cement to join parts. - Never use cement or paint near open flame.
- Open a window or make area well ventilated when cement or paint is in use.
- Tear up and throw away the empty plastic bags to avoid danger of suffocation for little children.

**<ALLGEMEINE HINWEISE>**

- Die Anordnung der Bauteile ist aus den Zeichnungen der Anleitung ersichtlich.
- Die Teile vor dem Verkleben ungeleimt zusammenhalten, um ihren paßsitz zu prüfen.
- Klebstoff nicht zu dick auftragen. - Klebstoff und Farben niemals in der Nähe einer Flamme verwenden.
- Während der Bemalung mit Spritzpistole oder Pinsel für frische Luftzufuhr, z.B. öffnen des Fensters, sorgen.
- Bausatz von kleinen Kindern fernhalten. Verhüten Sie, daß Kinder irgendwelche Bauteile in den Mund nehmen oder Plastiküten über den Kopf ziehen.

**■ 조립하기 전에**

- 부품을 조립하기 전에 설명서를 잘 읽어후 조립한다. - 부품을 자를 때에는 칼이나 니퍼로 깨끗이 잘라준다. - 접착제를 사용할 곳과 사용하지 않는 곳에 주의하고 너무 많이 바르지 않도록 한다.
- 접착하기 전에 부품을 맞추어 확인한 후 조립한다. - 에니멀 페인트나 접착제를 사용한 때는 청문을 열어 환기를 시키고 화기를 멀리한다. - 사용 후 남은 부품은 어린 아이들의 손에 닿지 않도록 잘 처리한다.



**<LISEZ CE QUI SUIT AVANT DE COMMENCER LE MONTAGE>**

- Etudier les schémas d'assemblage. - Contrôler que chaque pièce soit bien conforme avant de la coller à sa place.
- N'utilisez pas trop de colle pour réunir les pièces. - Ne faites manipuler la colle ou peinture à proximité d'une flamme.
- Aérer soigneusement la pièce où vous peignez(couvrir la fenêtre).
- Après avoir sorti les pièces du sac en plastique, déchirer le sac afin d'éviter que les enfants ne le mettent sur la tête et ne s'étouffent.

**<組み立てる前に>**

- 組み立てる前に説明書をお読み下さい。 - 部品をランナーから切り出す時は鋭利なニッパーとカッターを使用します。
- 接着剤を少しなみに使うことがきれいに仕上げるコツです。 - 使用する前に部品を合わせて確かめます。
- 接着剤や塗料を使用する時はときどき窓を開けて換気につましましょう。
- 組み立て後の部品やビニール袋は小さなお子さんの手の届かない安全な所に保管して下さい。

**▲ 보호자 분들은 반드시 읽어 주십시오.**



- 조립하기 전에 취급 설명서를 철저히 읽어 내용을 충분히 이해한 상태에서 조립하여 주십시오.
- 부품을 자를 때는 해당번호를 확인한 뒤 니퍼 등으로 깨끗이 잘라 주십시오. 칼을 이용하여 부품을 다듬고 자를 경우 손을 다치지 않도록 세심한 주의를 기울여 주십시오.
- 작은 부품 따위를 절대로 입에 넣지 마십시오. 잘못하여 삼킬 경우 질식 등의 위험이 있습니다. ● 자칫 먹을 우려가 있으므로 3세 미만의 어린이에게는 절대로 주지 마십시오.
- 잘라낸 부품은 깨끗이 다듬어 조립하고 남은 쓰레기는 분리하여 잘 버려 주십시오. ● 기능상 부득이하게 튀어나온 부분이 있을 수 있습니다. 취급 시 충분한 주의를 기울여 주십시오.
- 세척 및 접착을 위하여 모형을 도료 및 접착제 등을 사용할 때에는 청문을 열어 환기를 시키고 화기를 멀리하여 주십시오. 사용하고 남은 도료 및 접착제는 어린이의 손이 닿지 않는 곳에 잘 보관하여 주십시오.
- Before starting to assemble, read the instruction manual very carefully to understand well everything of the instructions.
- Before cutting a part off sprue, check the part number again and use proper tool such as nipper to cut it clearly. Take care not to be hurt in use of modelling knife to cut or trim parts.
- Never put small parts in the mouth to avoid any danger of suffocation by accidentally swallowed ones. ● Never let children less than 3 years old have it to avoid any danger of taking it.
- The product may have some protruding parts for functional reasons and take care of handling it always.
- After cutting a part off sprue, trim it clearly to assemble and the wastes should be properly sorted to dispose.
- Plastic bags packed with the product and parts should be disposed in a proper place immediately to keep out of children to avoid any danger of suffocation by pulling it over head or putting it over face.
- Before using modelling colors or cement, open windows to keep the room well ventilated and do not use near fire or flame. After using them, keep in a proper place out of children.

**주의  
WARNING!**



Do not cement.  
Do not cement.  
Do not cement.  
Do not cement.  
Do not cement.



Do not use glue.  
Do not use glue.  
Do not use glue.  
Do not use glue.  
Do not use glue.



Repeat operation.  
Repeat operation.  
Repeat operation.  
Repeat operation.  
Repeat operation.



Decals.  
Decals.  
Decals.  
Decals.  
Decals.



Lower weight.  
Lower weight.  
Lower weight.  
Lower weight.  
Lower weight.



Multiple.  
Multiple.  
Multiple.  
Multiple.  
Multiple.



Cut away.  
Cut away.  
Cut away.  
Cut away.  
Cut away.



Optional parts.  
Optional parts.  
Optional parts.  
Optional parts.  
Optional parts.



Repeat for opposite side.  
Repeat for opposite side.  
Repeat for opposite side.  
Repeat for opposite side.  
Repeat for opposite side.



Make hole.  
Make hole.  
Make hole.  
Make hole.  
Make hole.

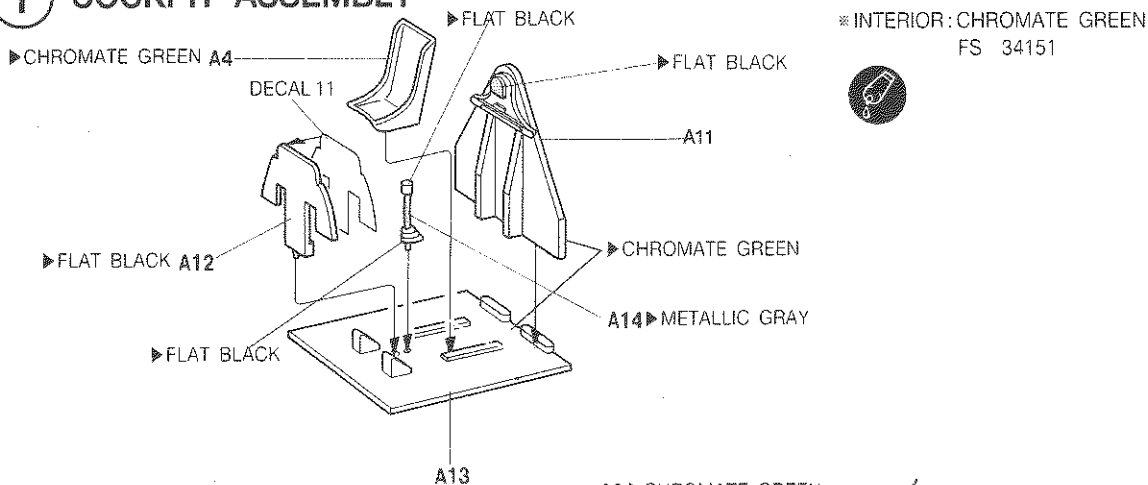


Be careful.  
Be careful.  
Be careful.  
Be careful.  
Be careful.

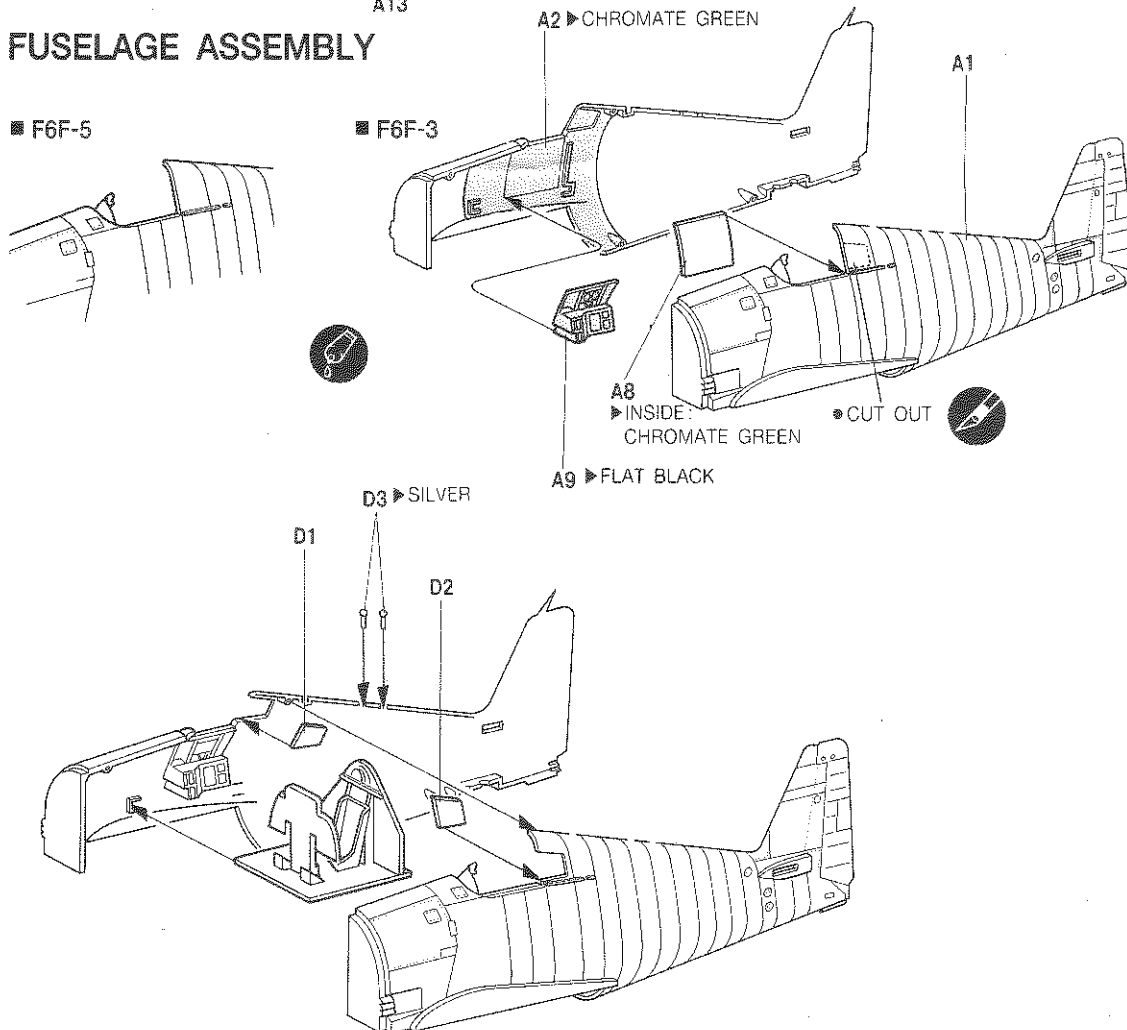


Painting scheme number.  
Painting scheme number.  
Painting scheme number.  
Painting scheme number.  
Painting scheme number.

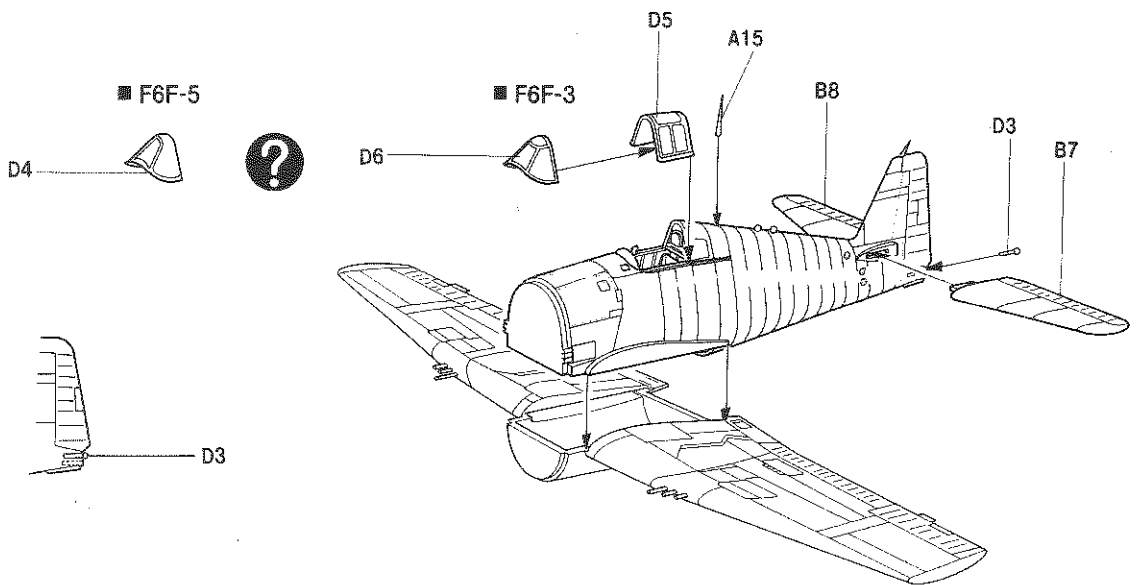
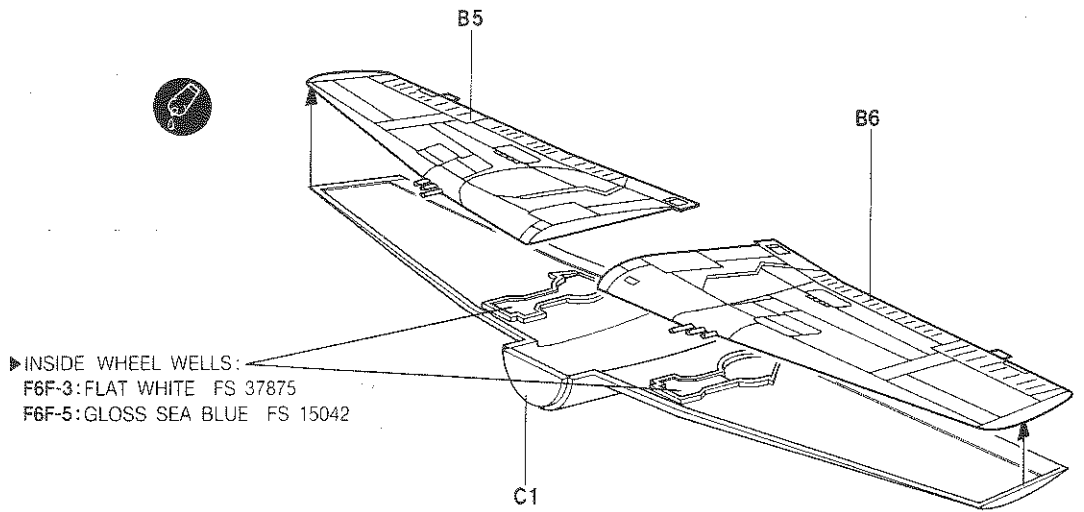
## 1 COCKPIT ASSEMBLY



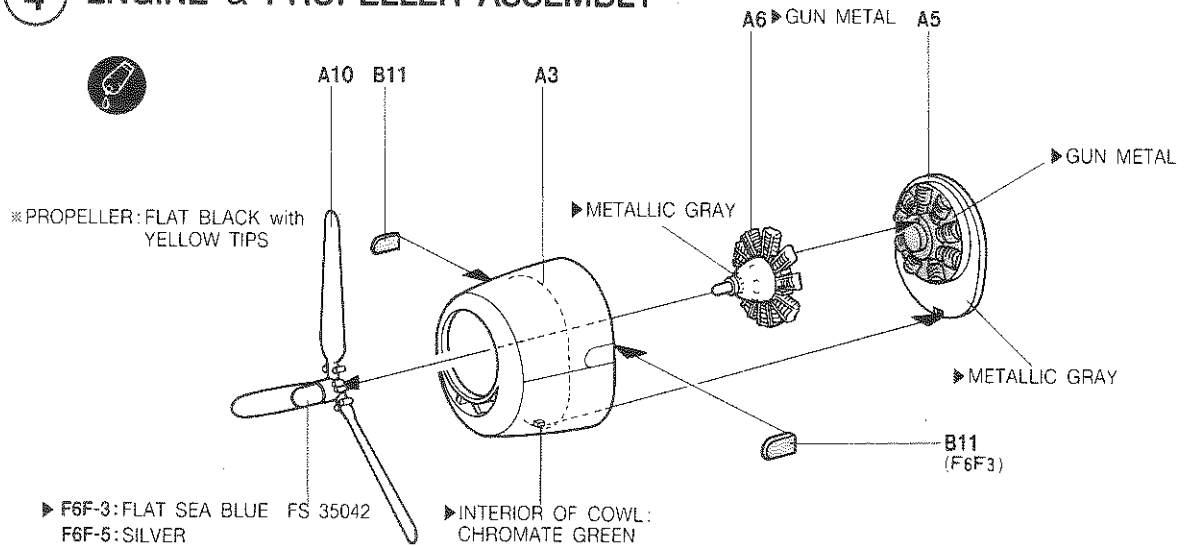
## 2 FUSELAGE ASSEMBLY



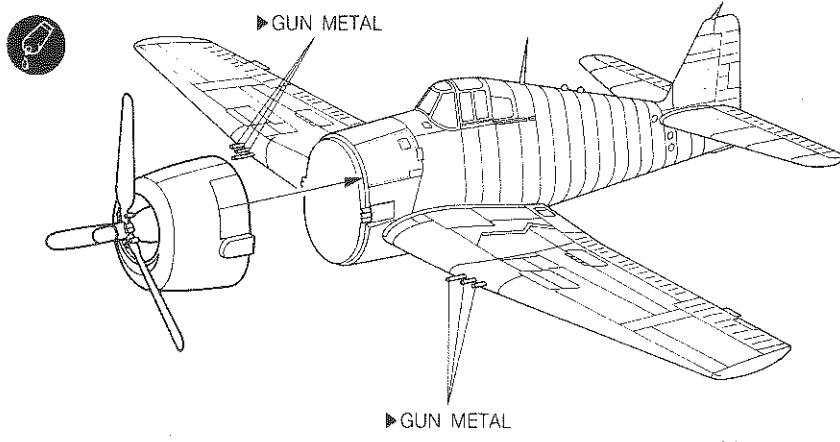
### 3 WING ASSEMBLY



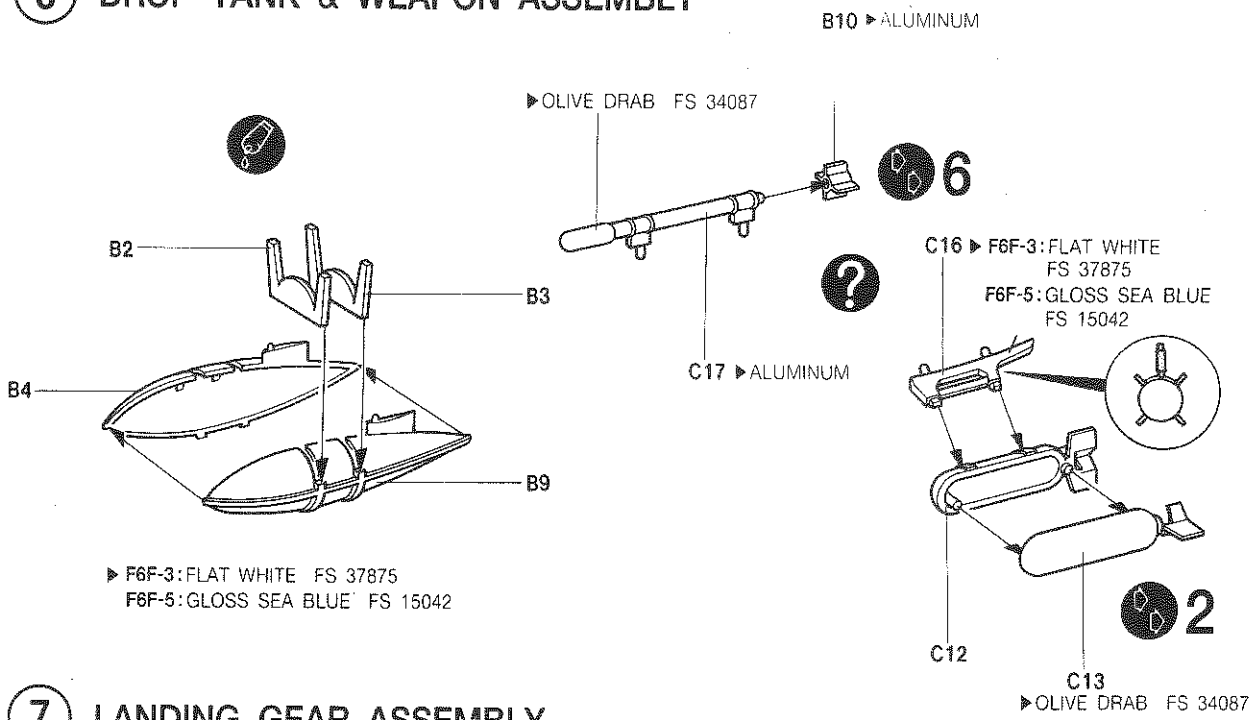
### 4 ENGINE & PROPELLER ASSEMBLY



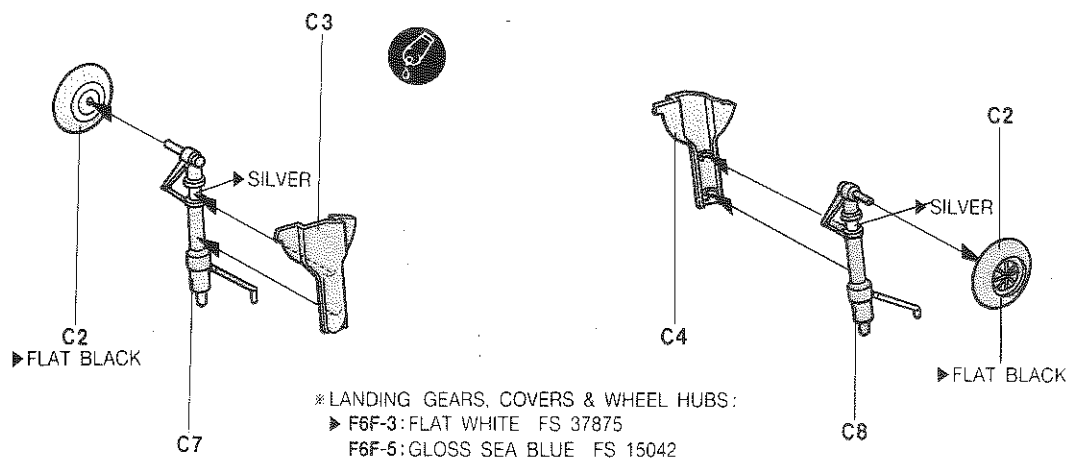
# 5 ENGINE TO FUSELAGE ASSEMBLY



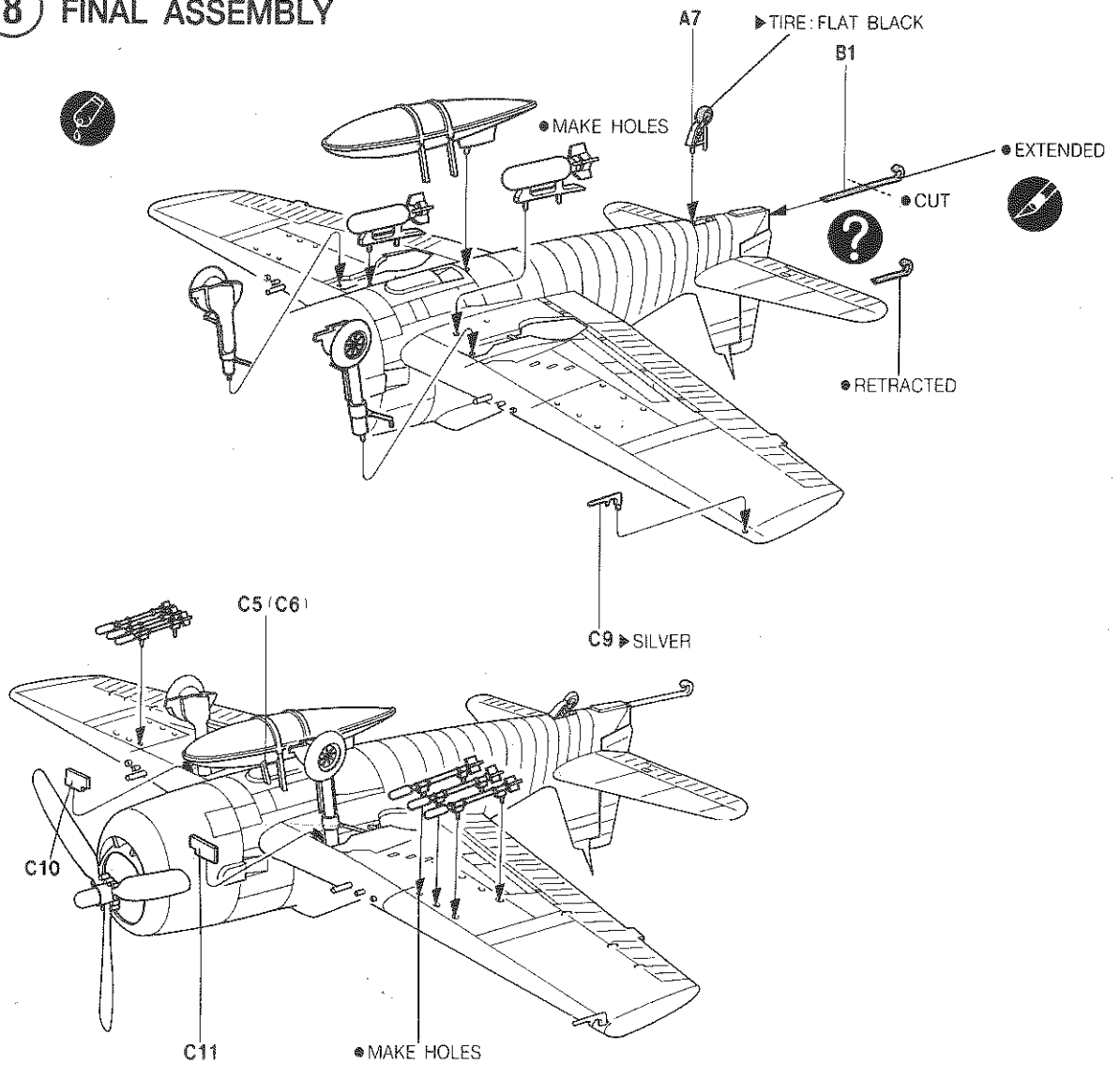
# 6 DROP TANK & WEAPON ASSEMBLY



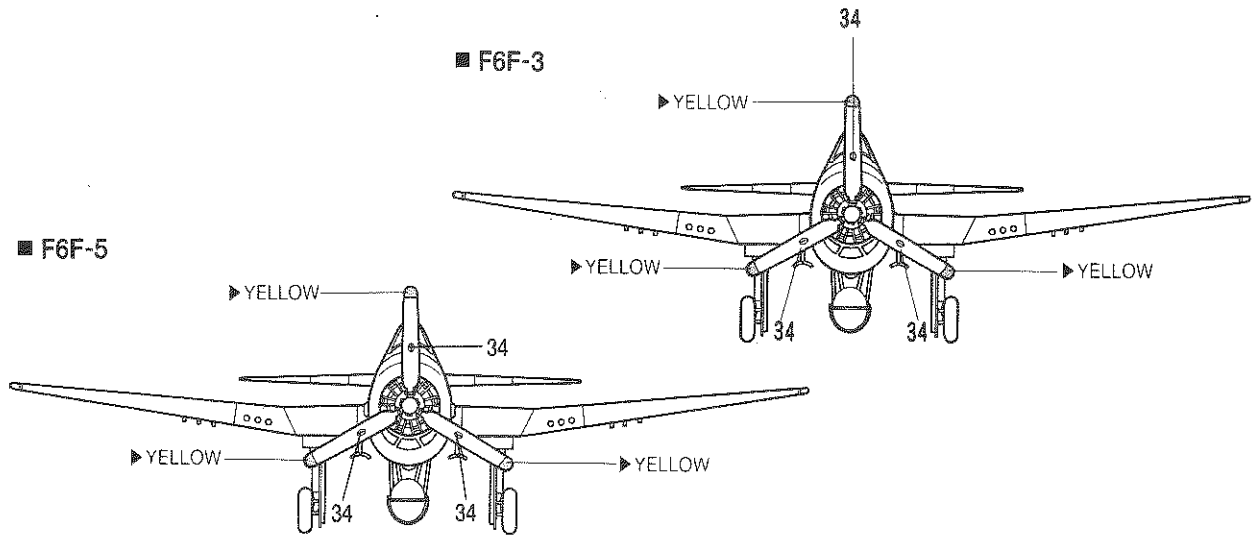
# 7 LANDING GEAR ASSEMBLY



# 8 FINAL ASSEMBLY

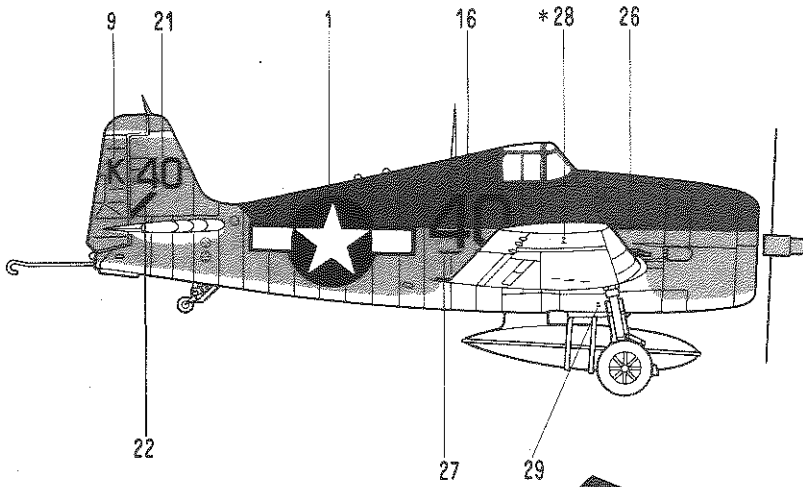


## PAINTING & DECAL PLACEMENT

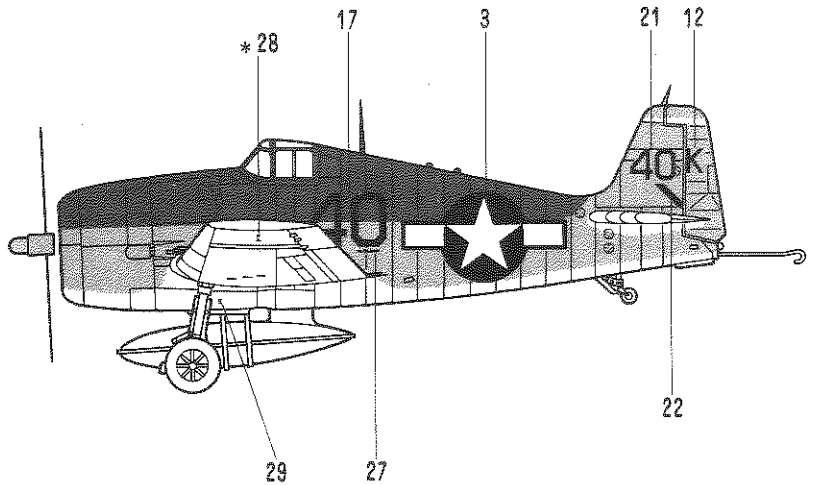
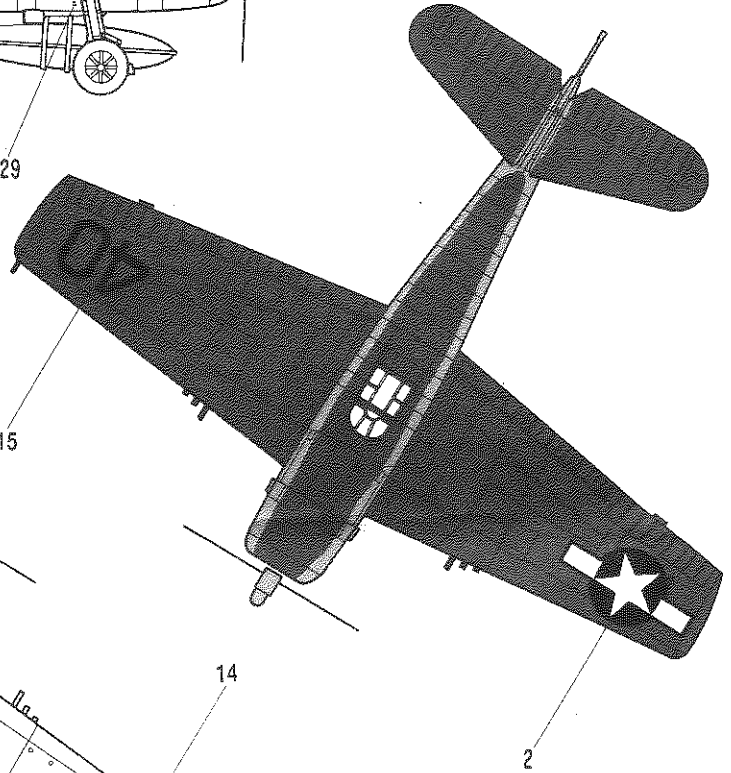
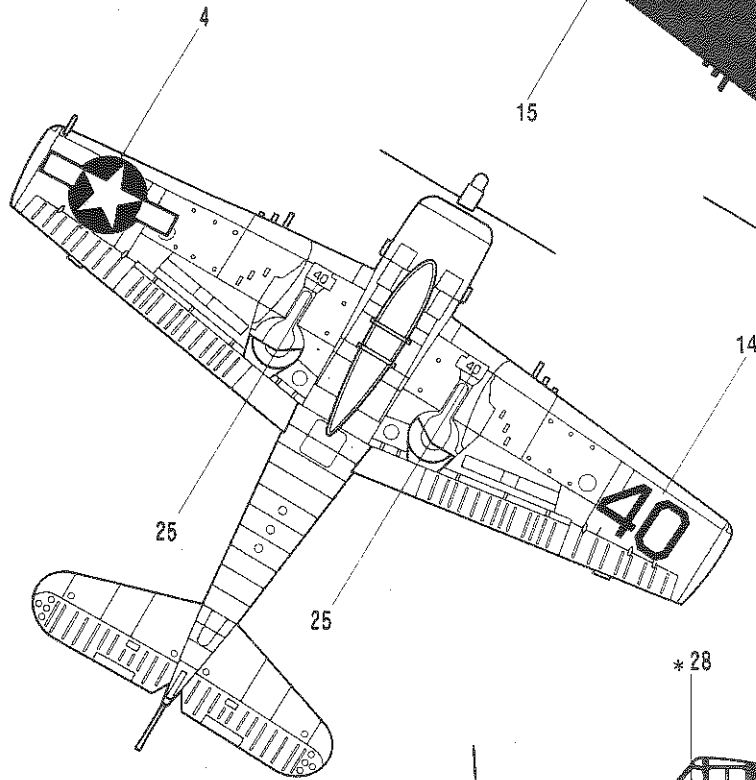


# ■ PAINTING & DECAL PLACEMENT

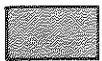
● \*APPLY DECAL TO FUSELAGE.



■ F6F-3  
(VF-1, U.S.S. YORKTOWN)



FLAT SEA BLUE FS 35042



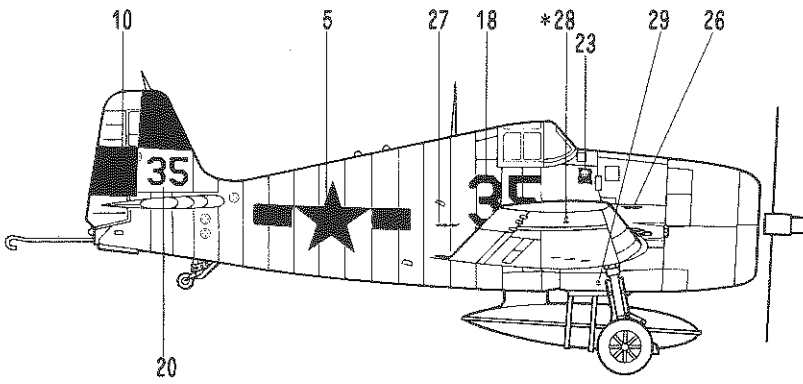
FLAT INTERMEDIATE BLUE  
FS 35164



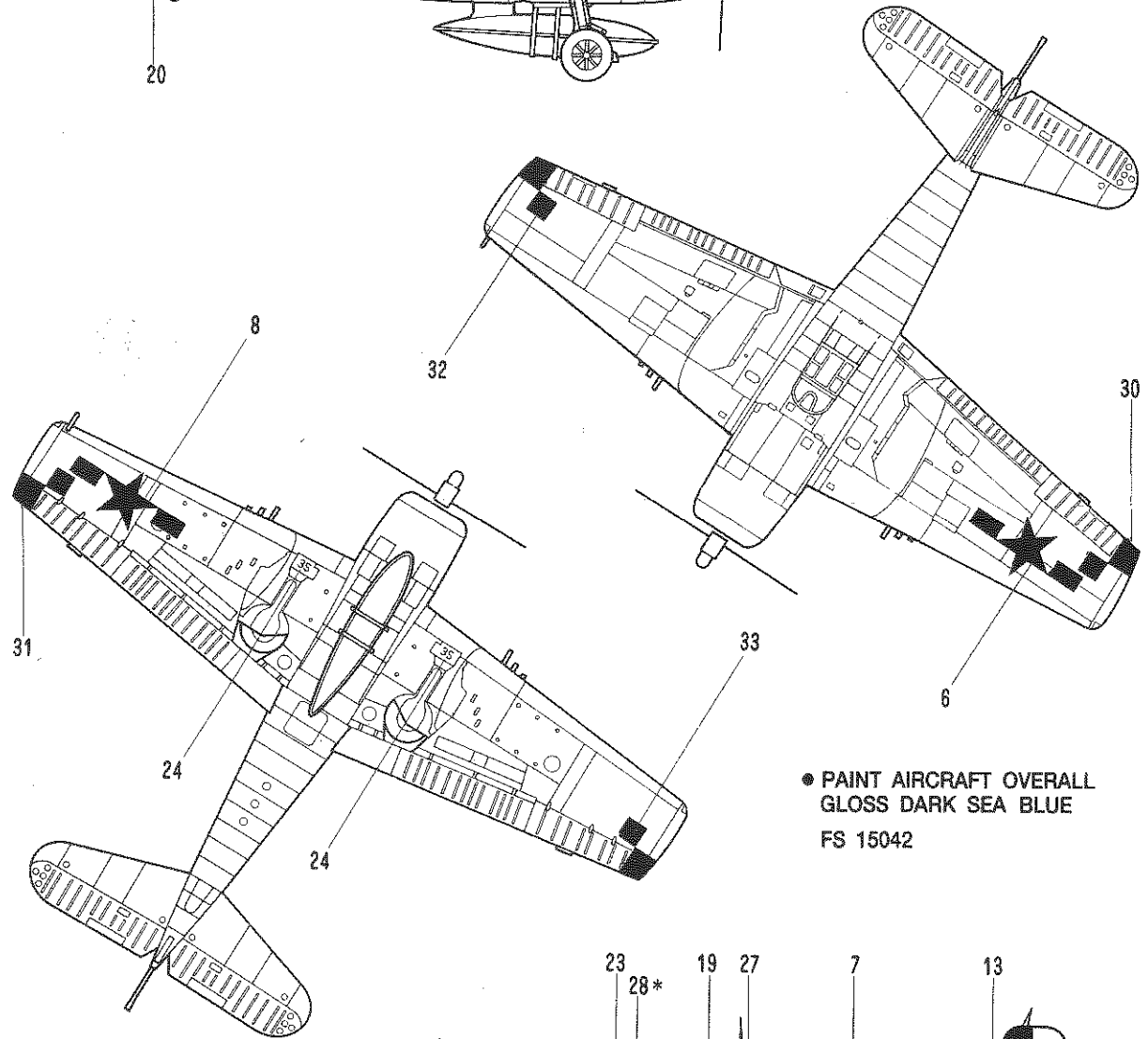
FLAT WHITE FS 37875

# PAINTING & DECAL PLACEMENT

● \*APPLY DECAL TO FUSELAGE.



■ F6F-5  
(VF-17, U.S.S. HORNET)



● PAINT AIRCRAFT OVERALL  
GLOSS DARK SEA BLUE  
FS 15042

CHROMATE GREEN	GUN METAL
METALLIC GRAY	OLIVE DRAB
FLAT BLACK	GLOSS SEA BLUE
FLAT SEA BLUE	GLOSS DARK SEA BLUE
GUN METAL	ALUMINUM
SILVER	YELLOW

