

LVSR MKR16 Tractor

LVSR MKR16牵引车

READ BEFORE ASSEMBLY:

- Study and understand these instructions thoroughly before beginning assembly
- When needed, remove photo-etch parts carefully using a modeling knife or photo etch sprue cutter, being careful not to damage or lose small parts.
- Take extra care in handling photo etch parts in order to avoid injury
- Apply instant cement sparingly to photo etch parts where instructed
- Tools recommended(not included in kit):Plastic and instant cements, sprue cutters,long nose pliers,modeling knife, small files, tweezers, pin vise & scissors. Soft cloth and sandpaper will also assist in construction
- Glue and paint are not included in the kit. Use plastic cement and hobby paints only. Color guide for purchasing paint is included in the kit.

装配之前仔细阅读

- 小心用模型锉刀锉平所有零件表面的注射浇口。
- 小心用刀片切下蚀刻片零件，不要遗失小零件。
- 用强力快干胶水粘合蚀刻片零件和金属轴。过量快干胶水使用可能导致可动零件会粘住，小心涂胶。
- 取蚀刻片时应特别注意安全，防止利边划伤手指。
- 某些零件表面需贴上水贴纸，请选择在装配的同时进行。
- 推荐模型工具(自备)：胶水，水口剪刀，长咀钳，刀片，锉刀，镊子，钳，钻，剪刀，瞬间快干胶。
- 软布同砂纸同时也是所需工具。
- 请使用塑料胶水和油漆，模型内不含。



使用强力胶
Cyanoacrylate glue



配重
Weight



钻孔
Make hole



切除
Cut / Remove



贴纸
Decal



锉平
File / Sand



选择
Option



不涂胶水
No cement



弯曲
Bend



先装
Install it first



填补
Repair

水贴纸的使用:

- 1.从水贴纸上剪下印花;
- 2.将印花放入温水中浸10秒，然后放在干净布上。
- 3.拿着印花纸板将印花移到模型上;
- 4.手指蘸水将印花移到适当的位置;
- 5.用软布轻压印花直至水干，气泡消失

DECAL APPLICATION

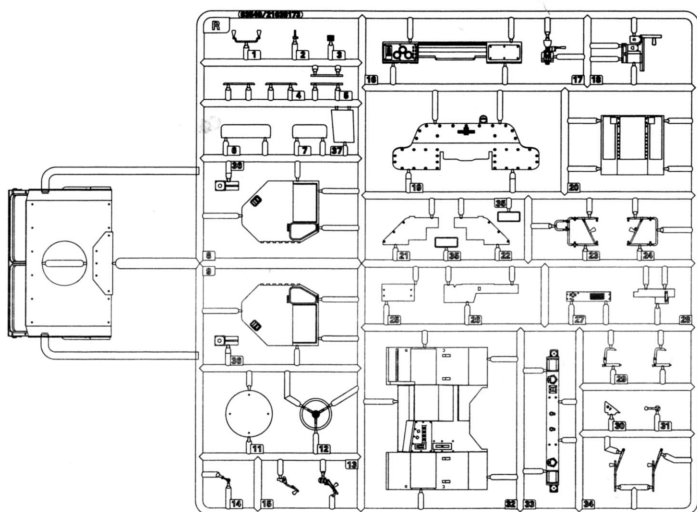
- 1.Cut decals from sheet as needed
- 2.Dip the decal in warm water for about 10 seconds and then place on soft clean cloth.
- 3.Hold the decal backing sheet edge and gently slide the decal onto the model in its proper position.

- 4.While still wet,decal can be adjusted for better fit on model by dampening it gently with your finger.
- 5.When placed in the proper position,gently press decal down with a soft cloth until excess water and air bubbles are gone.
- 6.Allow decal to dry completely before handling model

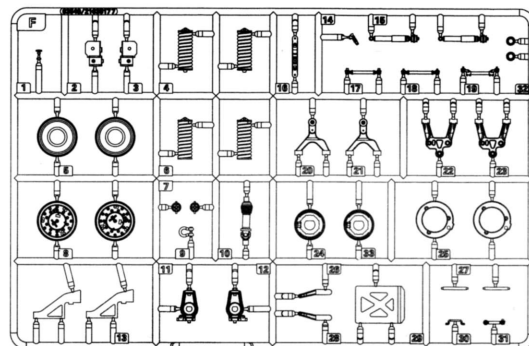
* 说明书中含有重要信息，应保留。 Please Keep instruction since it contains important information.

部品图
Parts

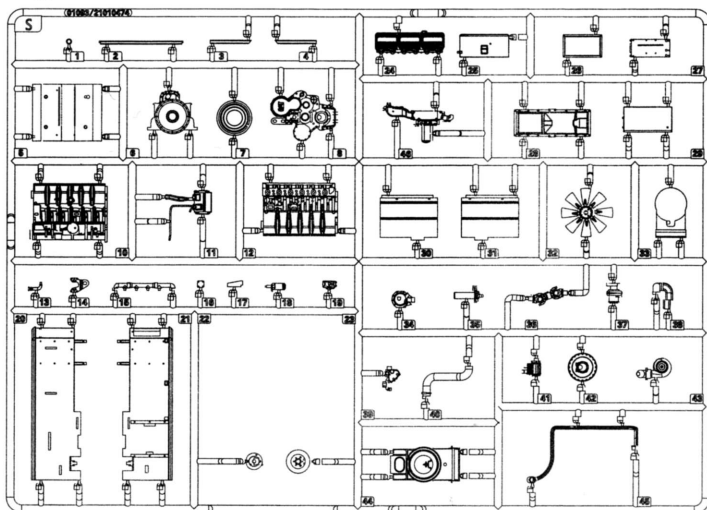
R



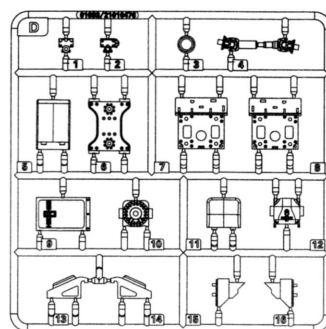
Fx5



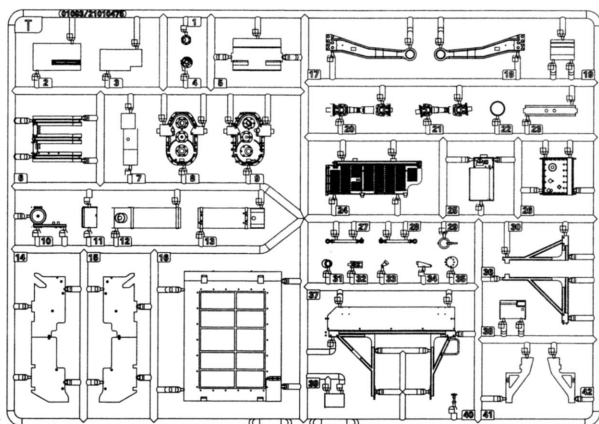
S



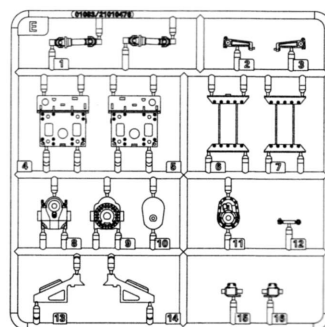
Dx2



T

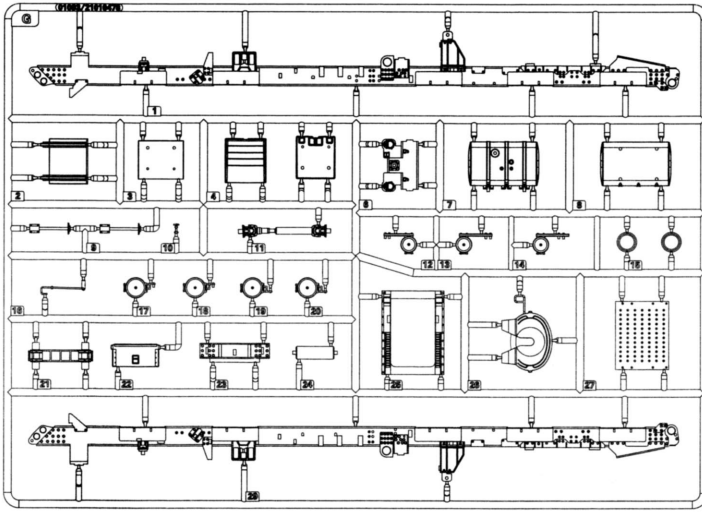


Ex3

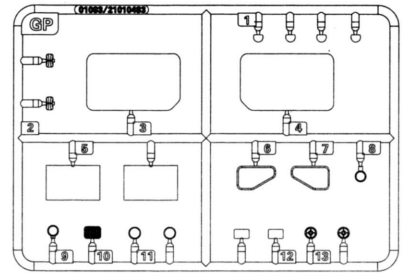


部品图
Parts

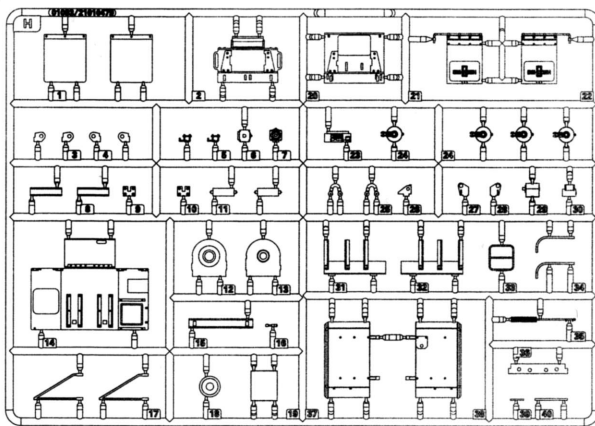
G



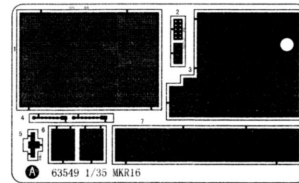
GP



H



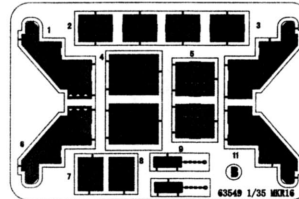
《蚀刻片A》PE-A



《轮胎》Tyre × 10



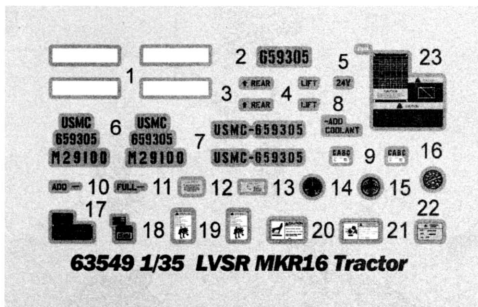
《蚀刻片B》PE-B



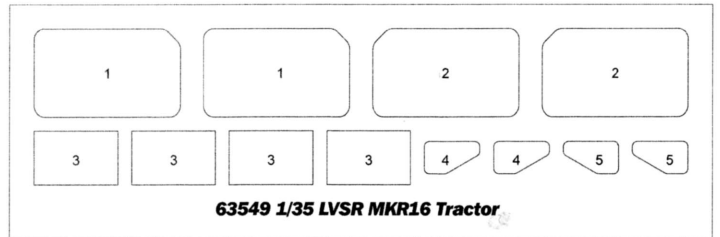
《棉线》Cotton thread



《水贴》Decal

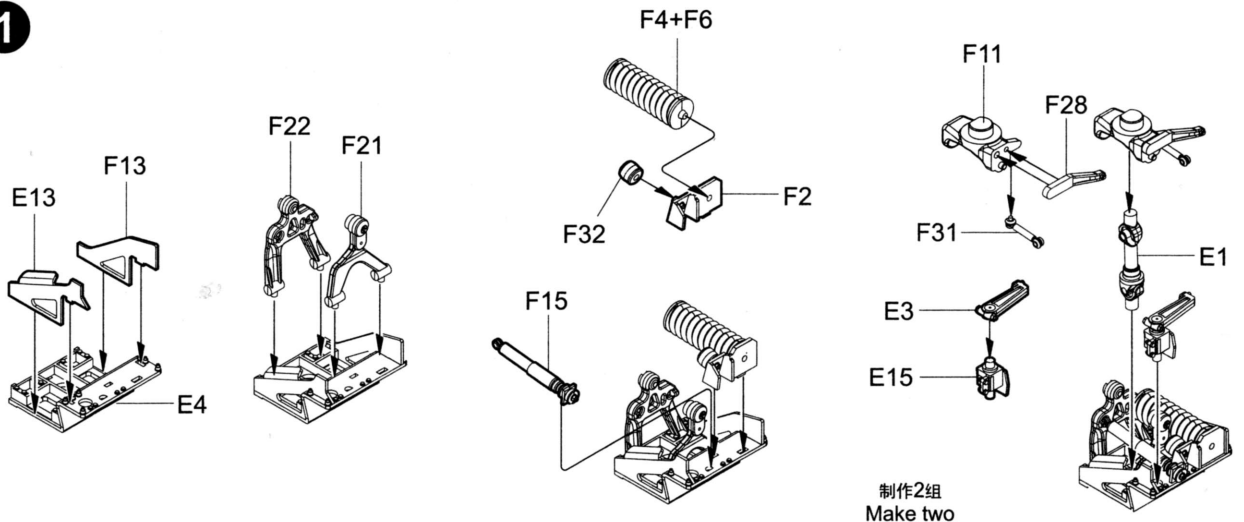


《遮盖纸》Die-cut mask

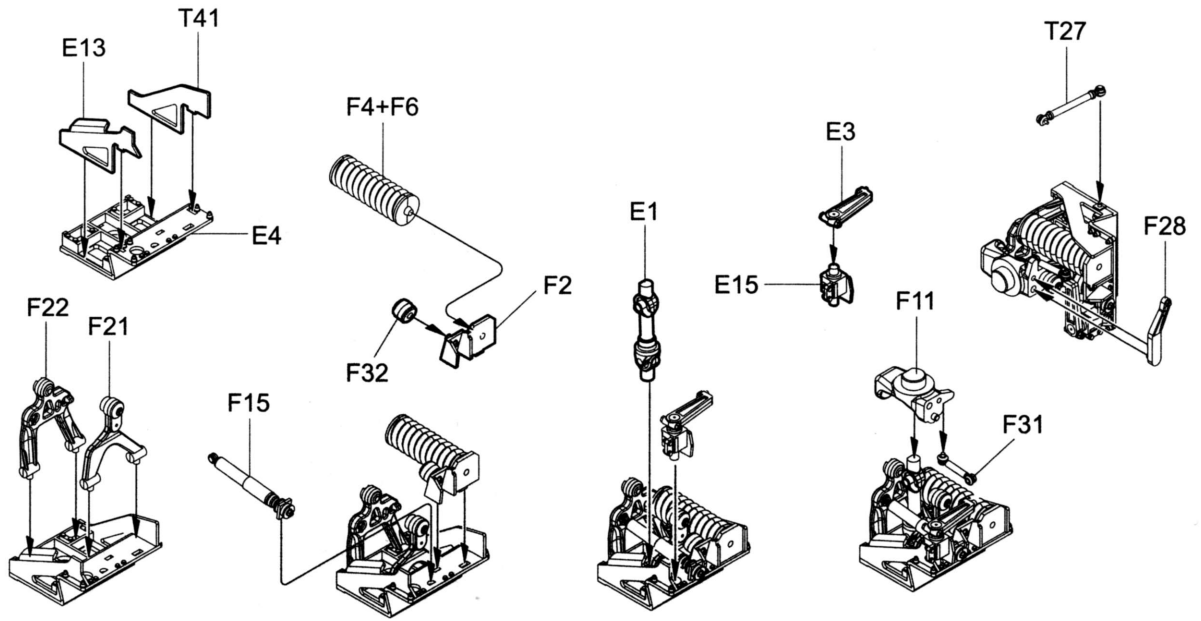


不用部品: R1、R2、R3、R26、R27、R30、R31
Unused parts

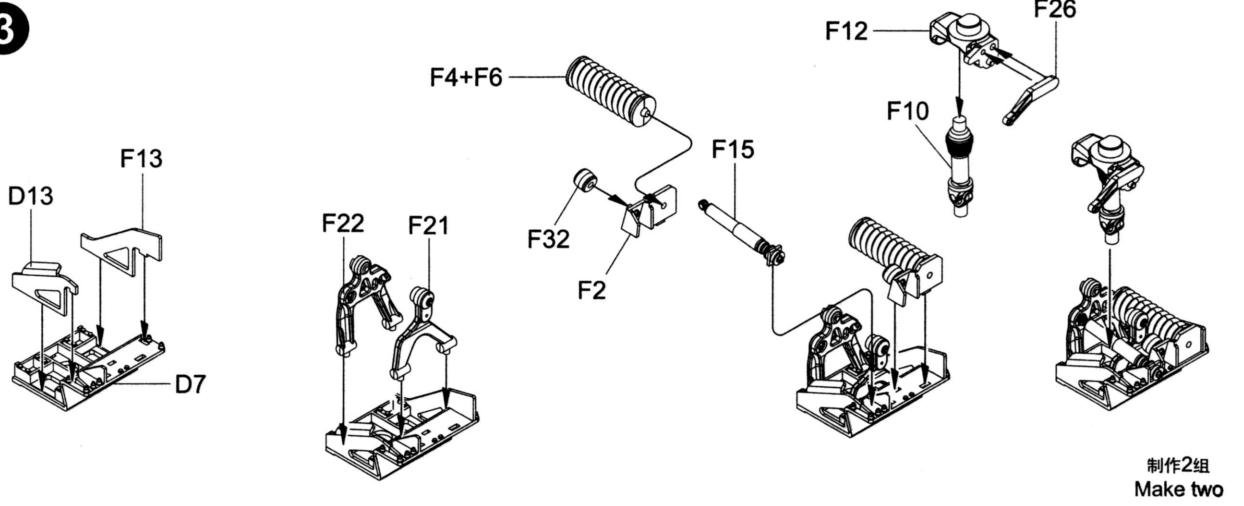
1



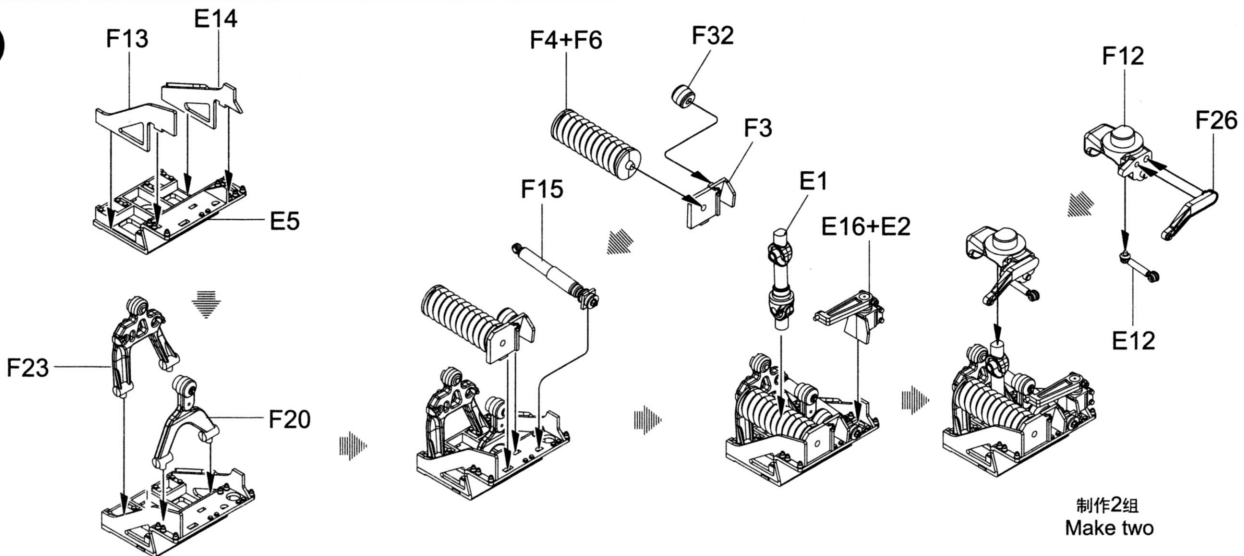
2



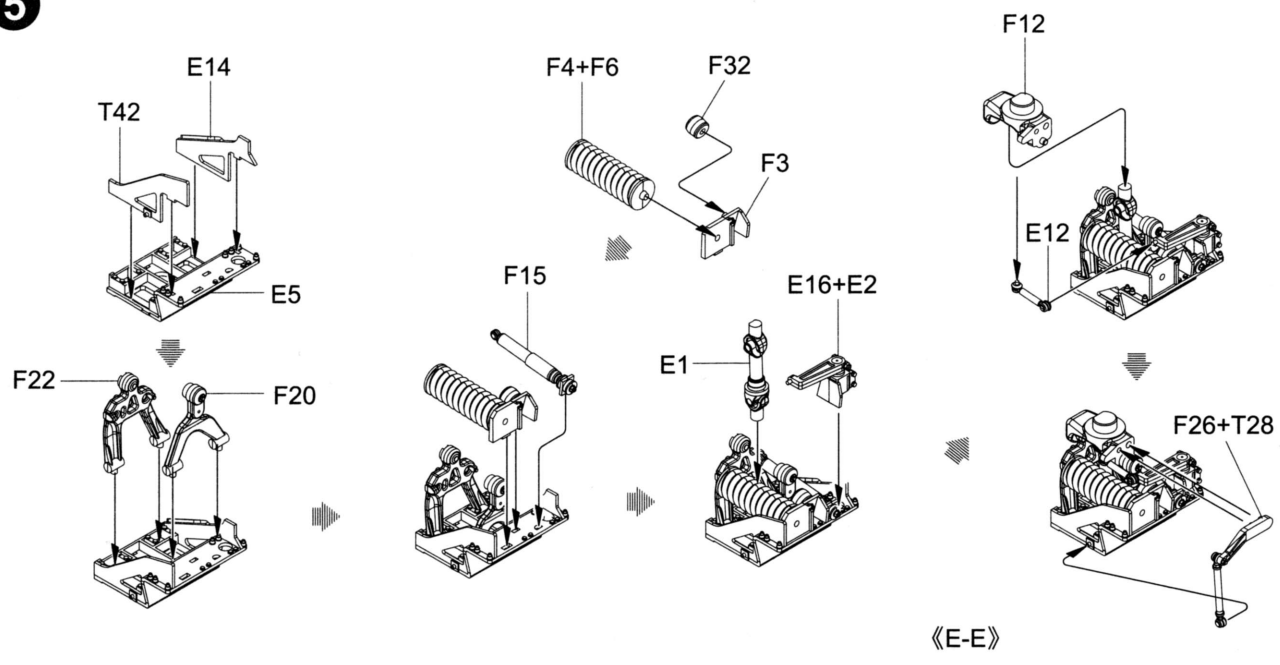
3



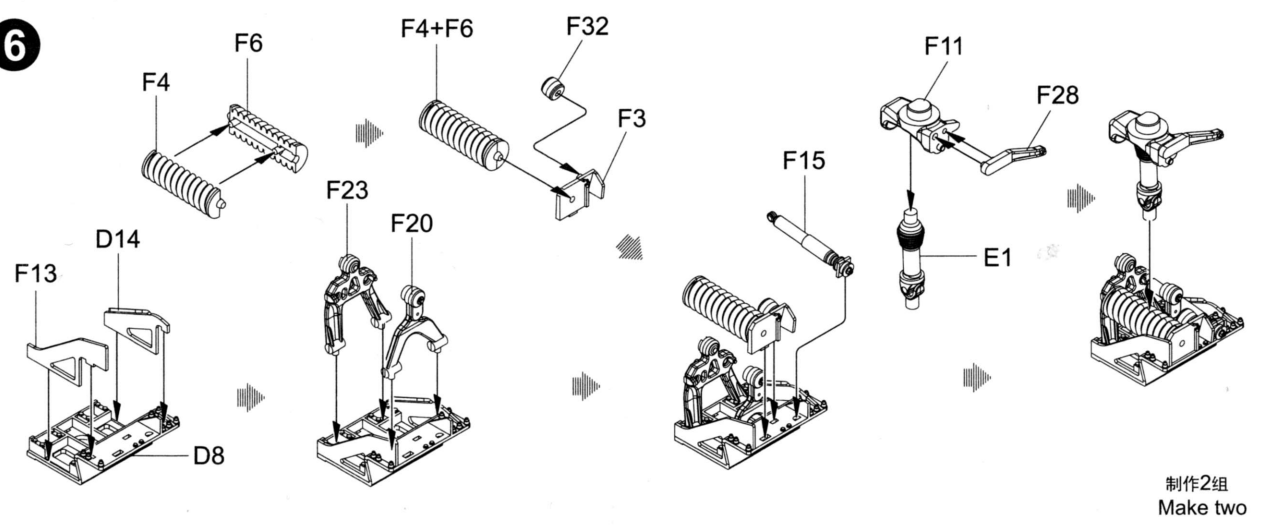
4



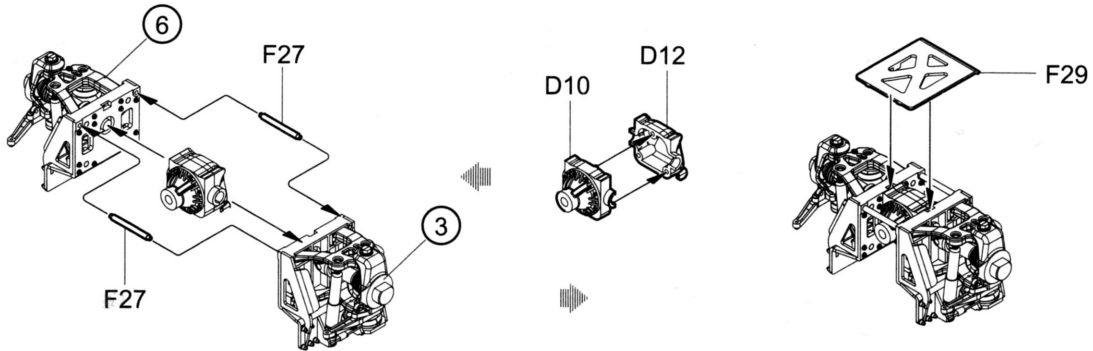
5



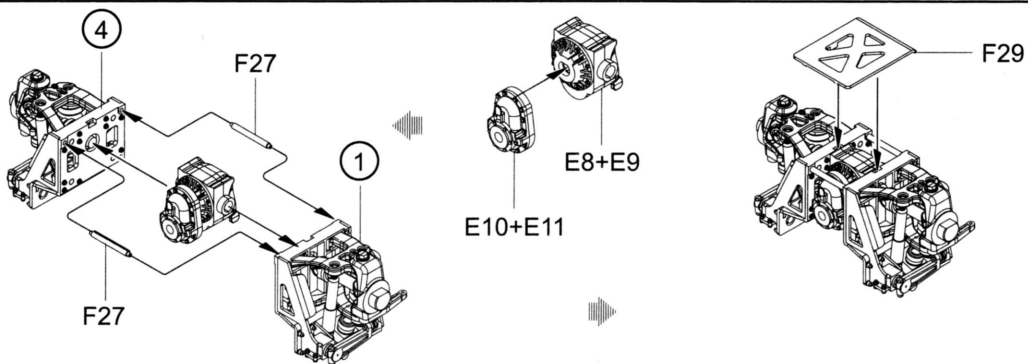
6



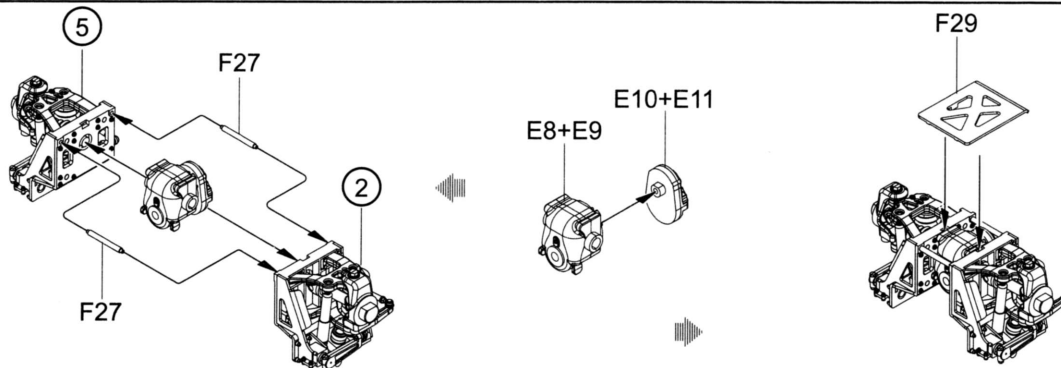
7



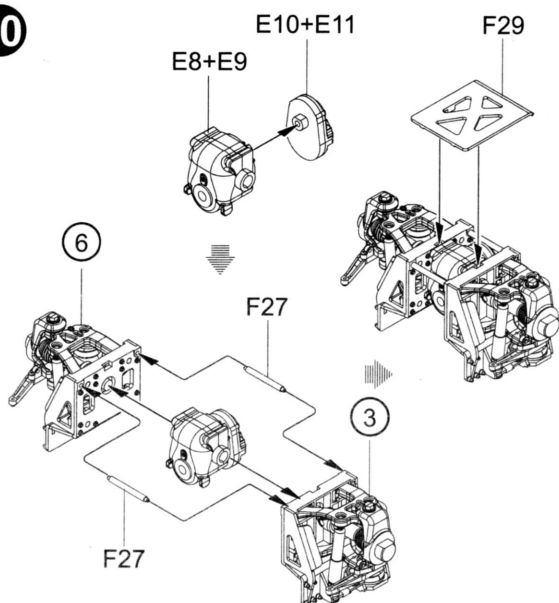
8



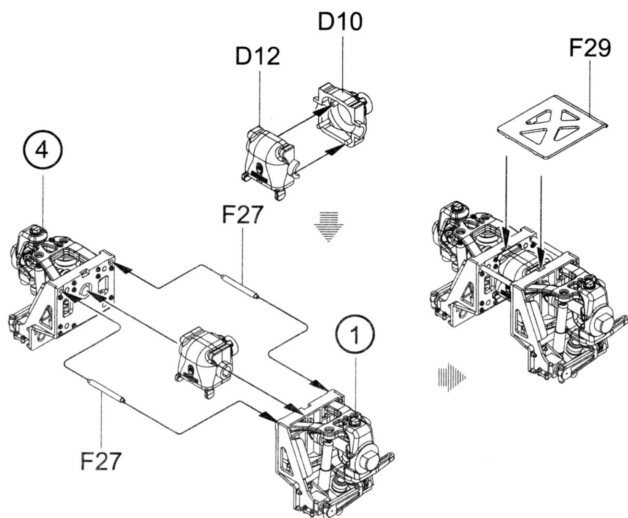
9

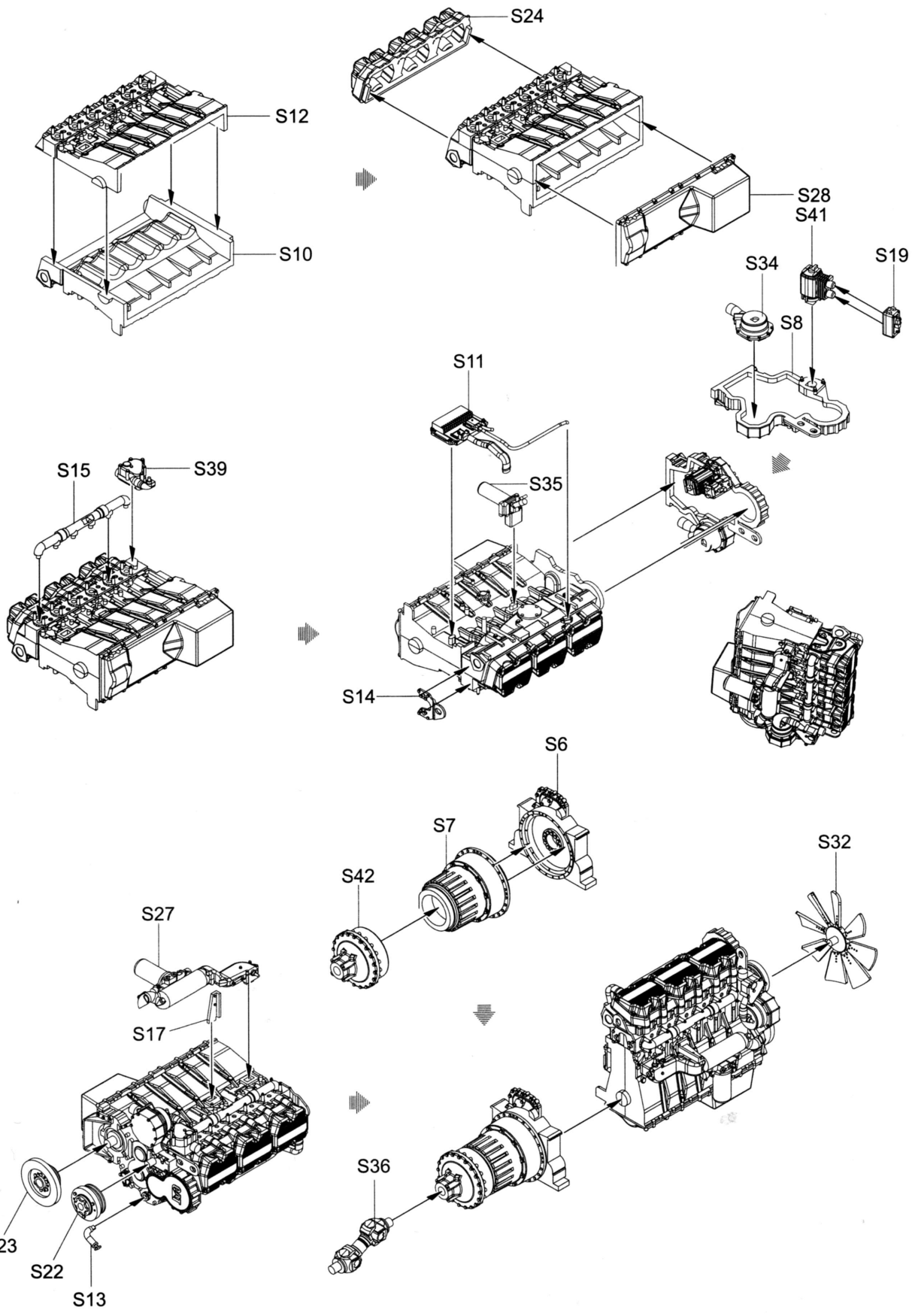


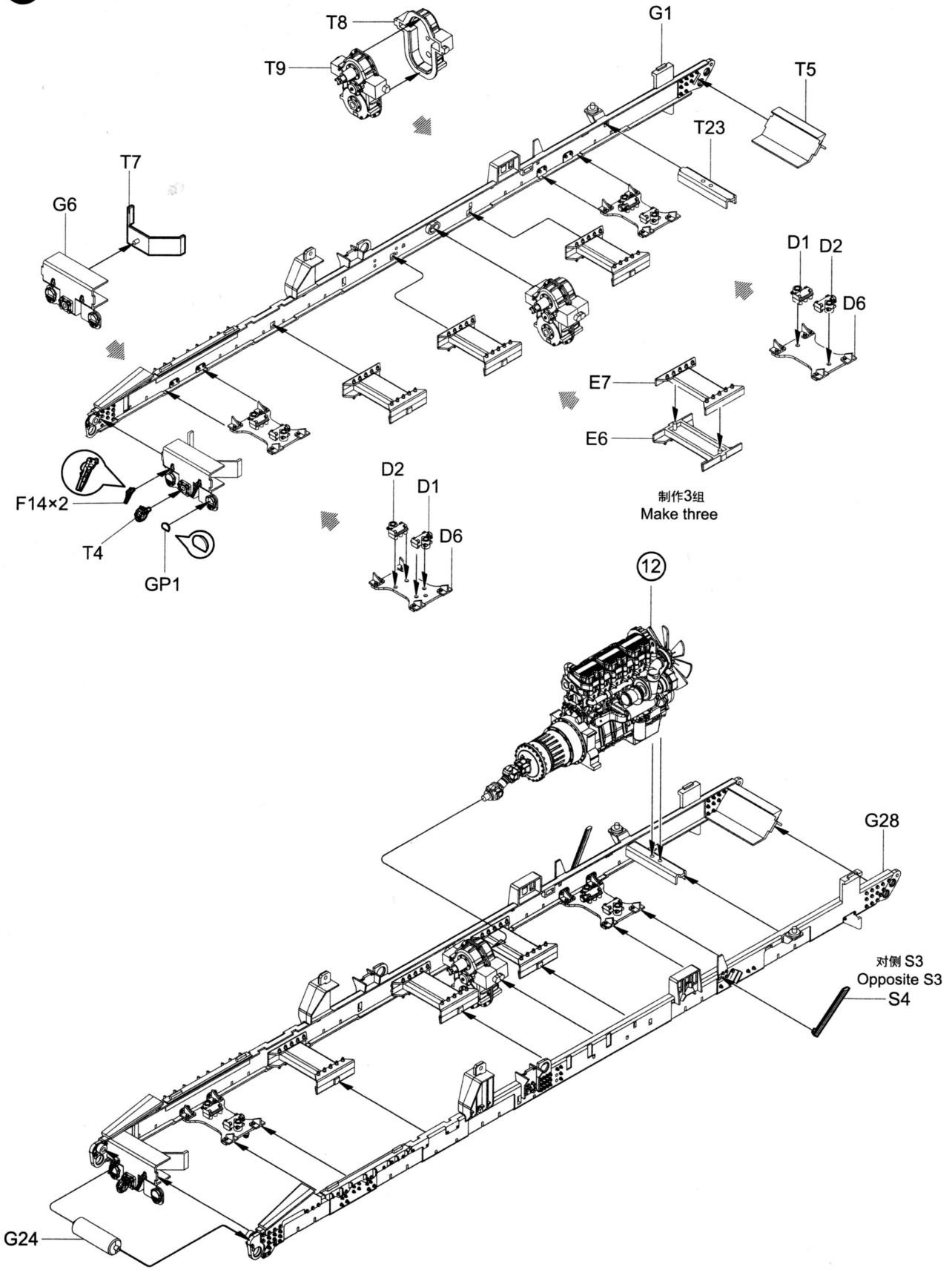
10

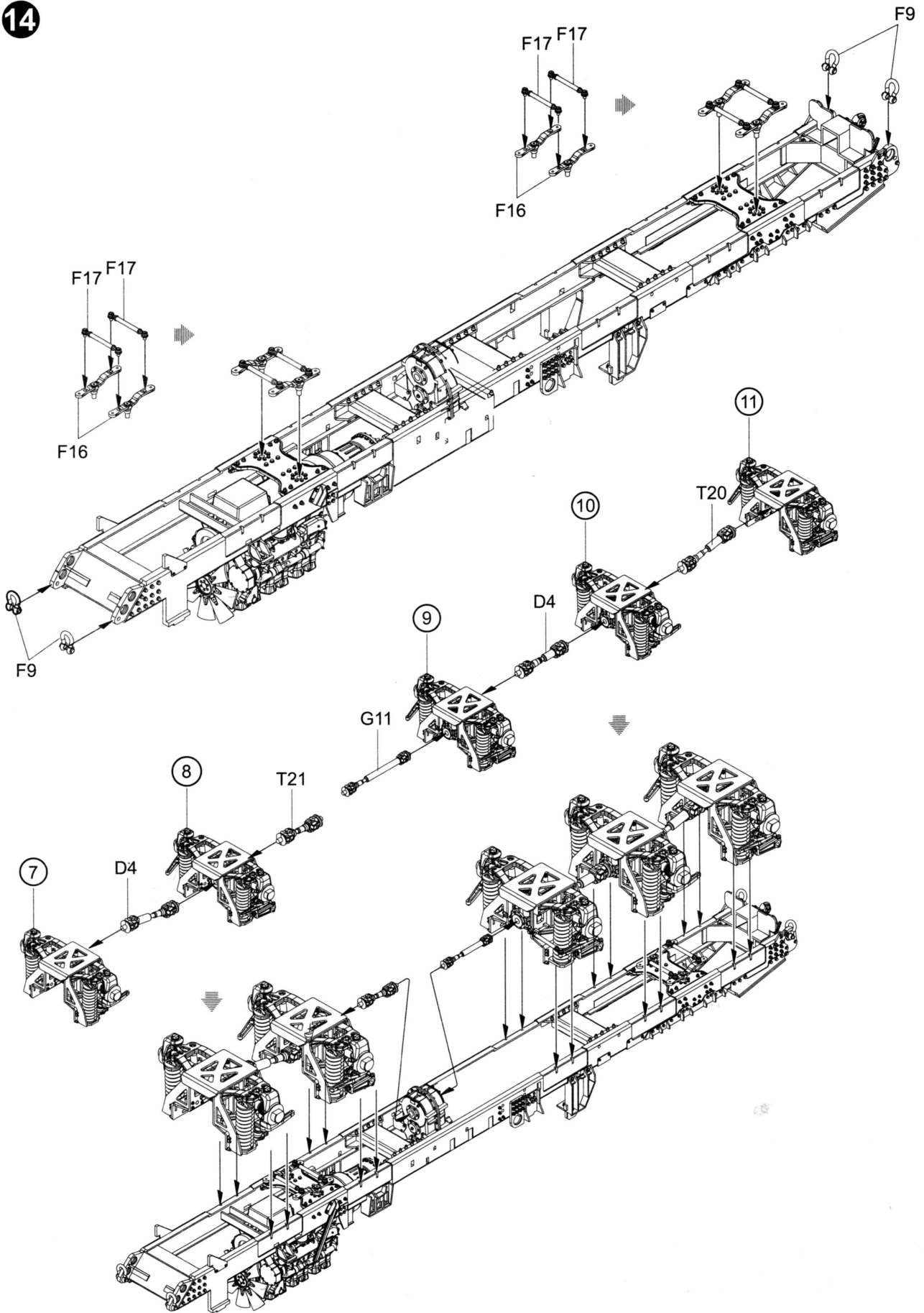


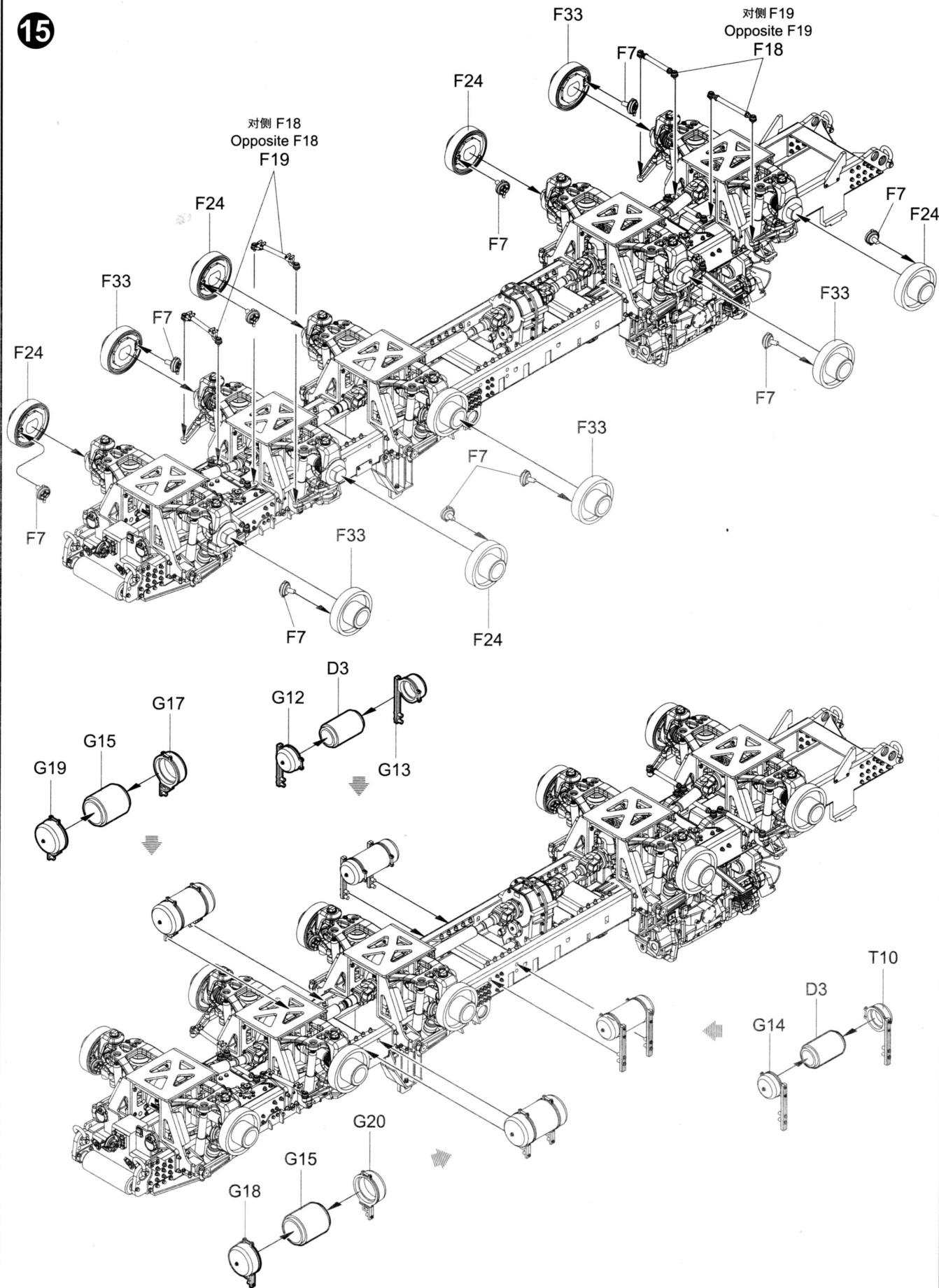
11

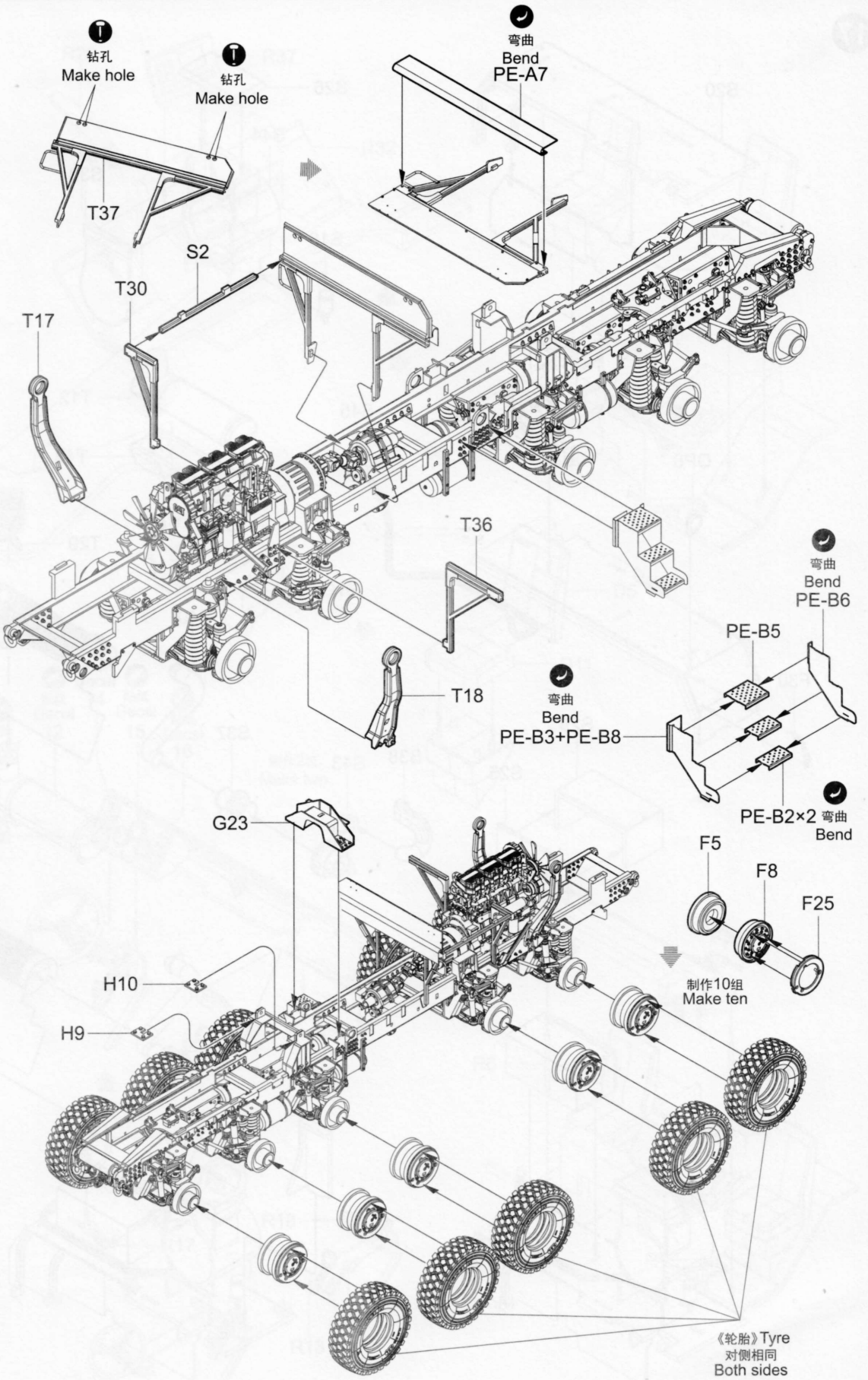




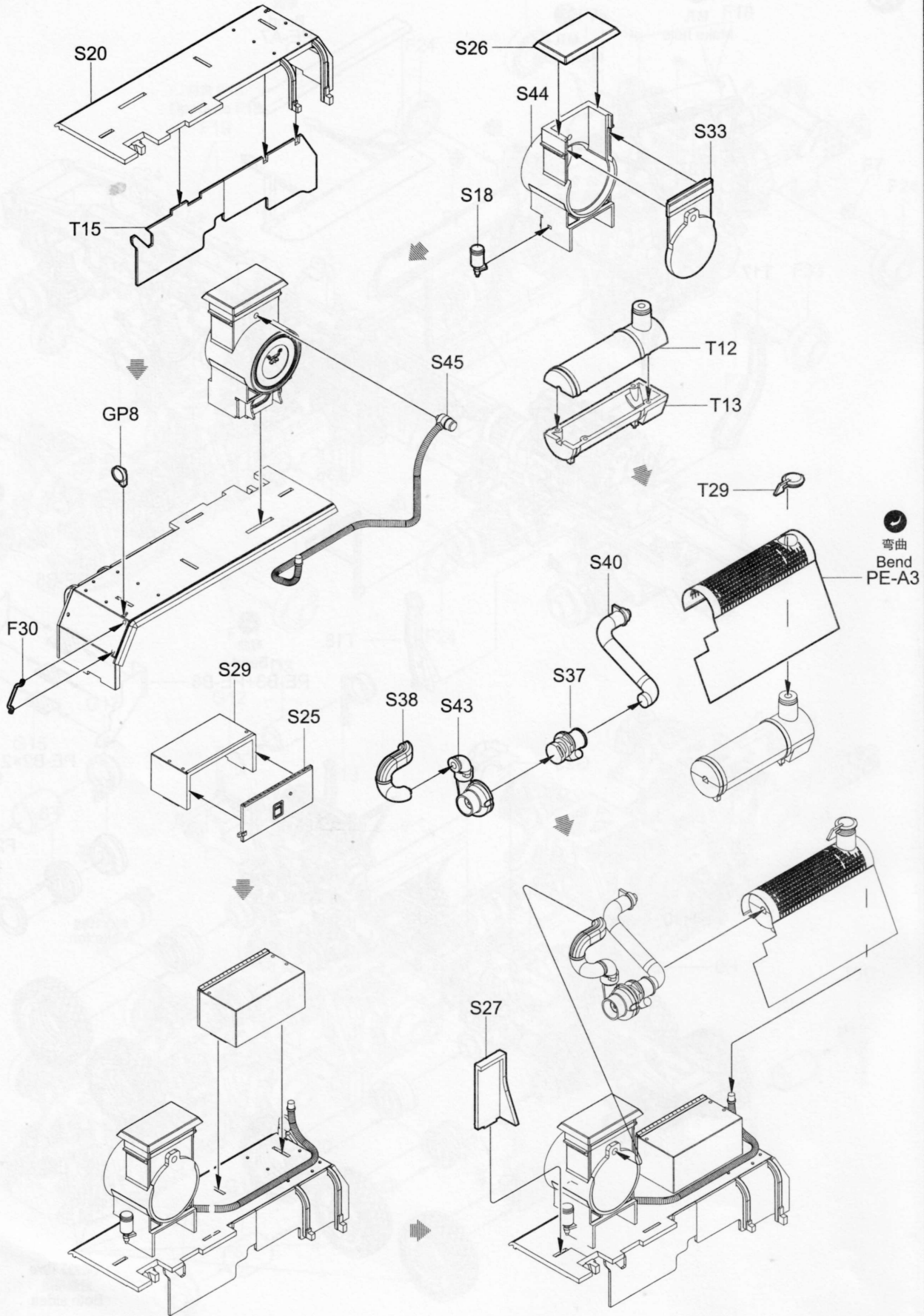


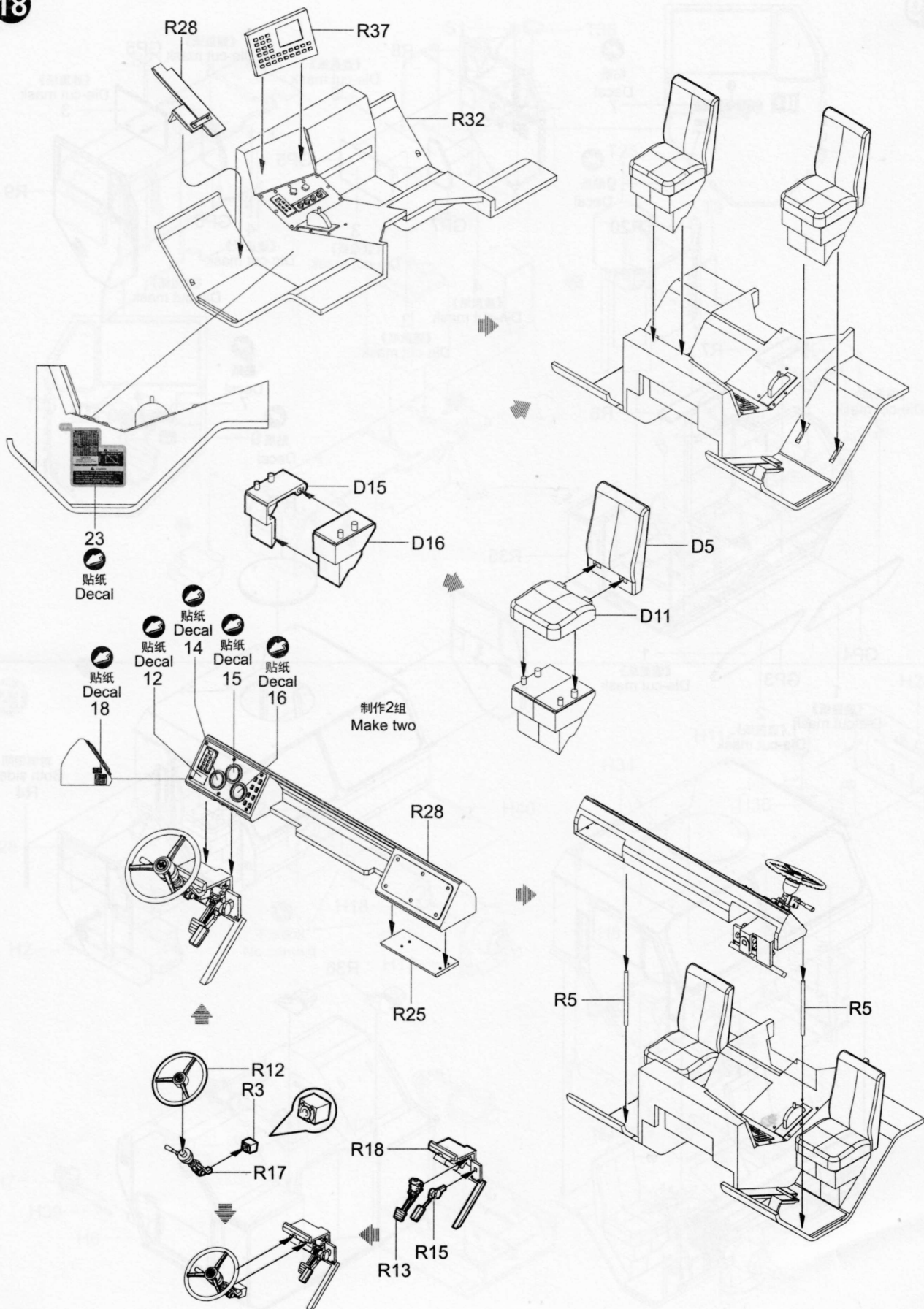


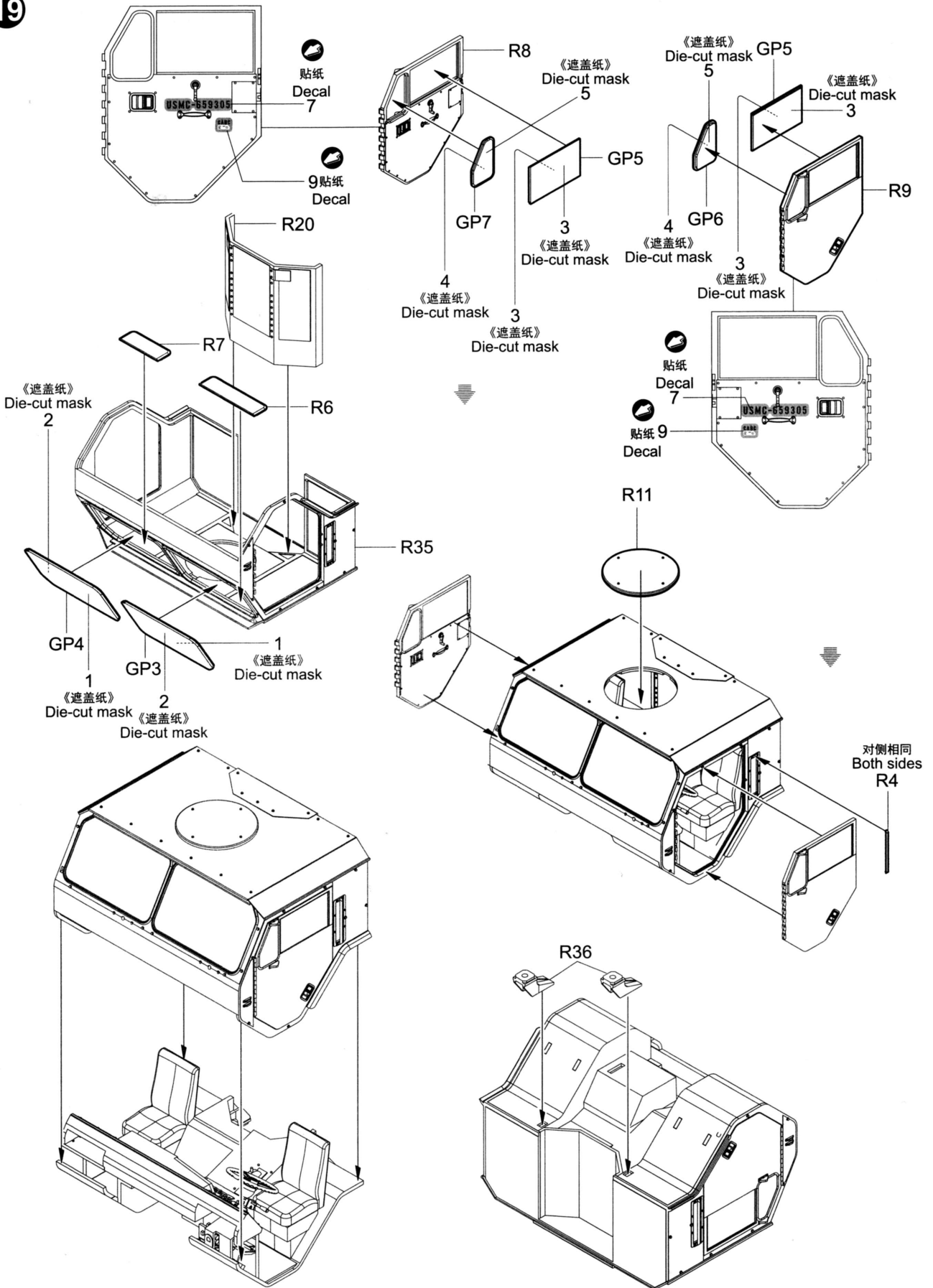




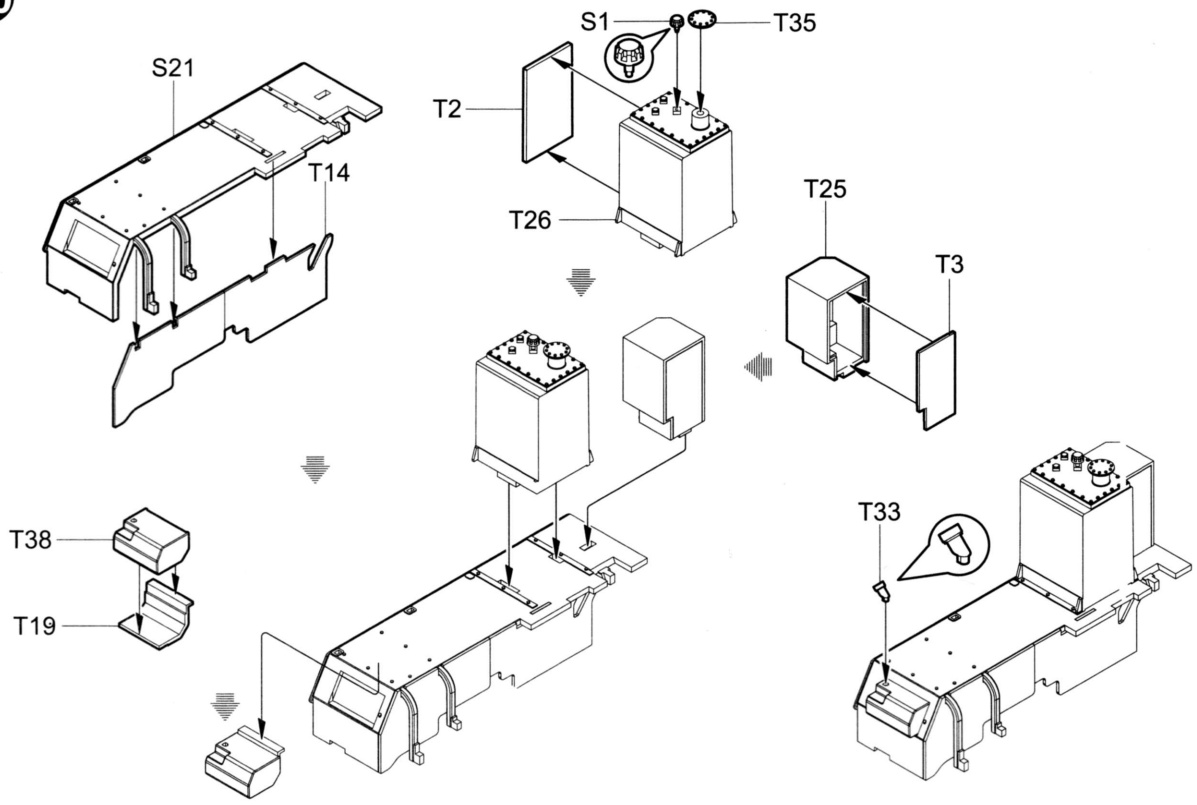
17



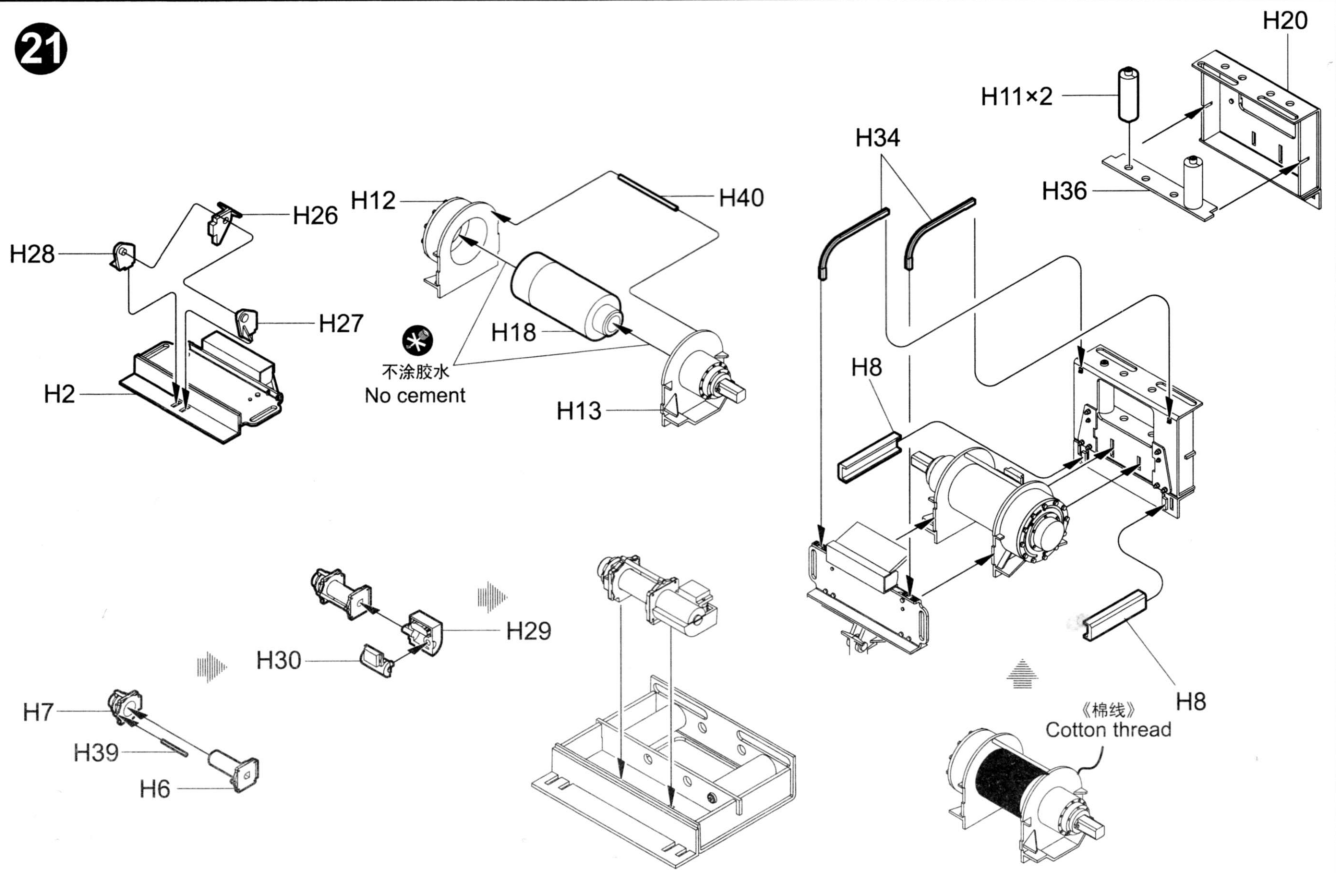


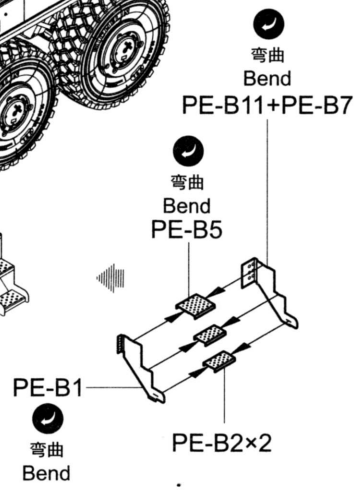
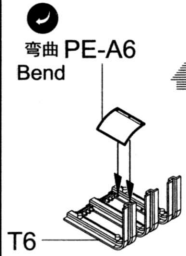
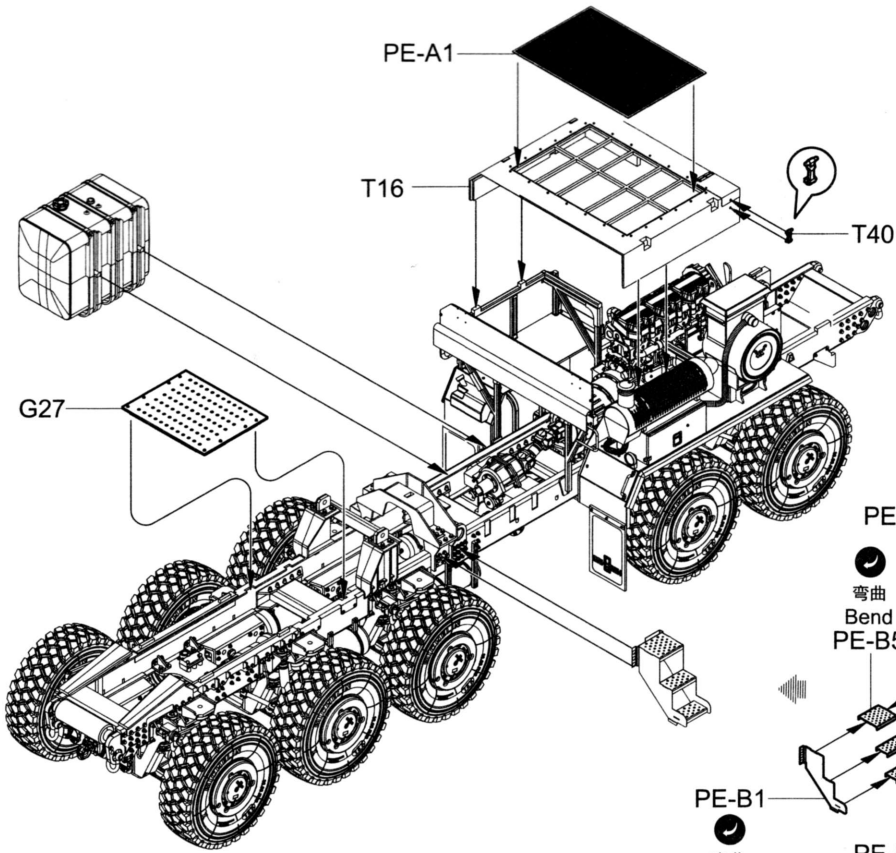
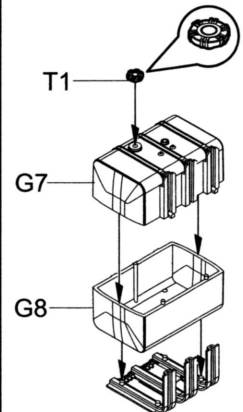
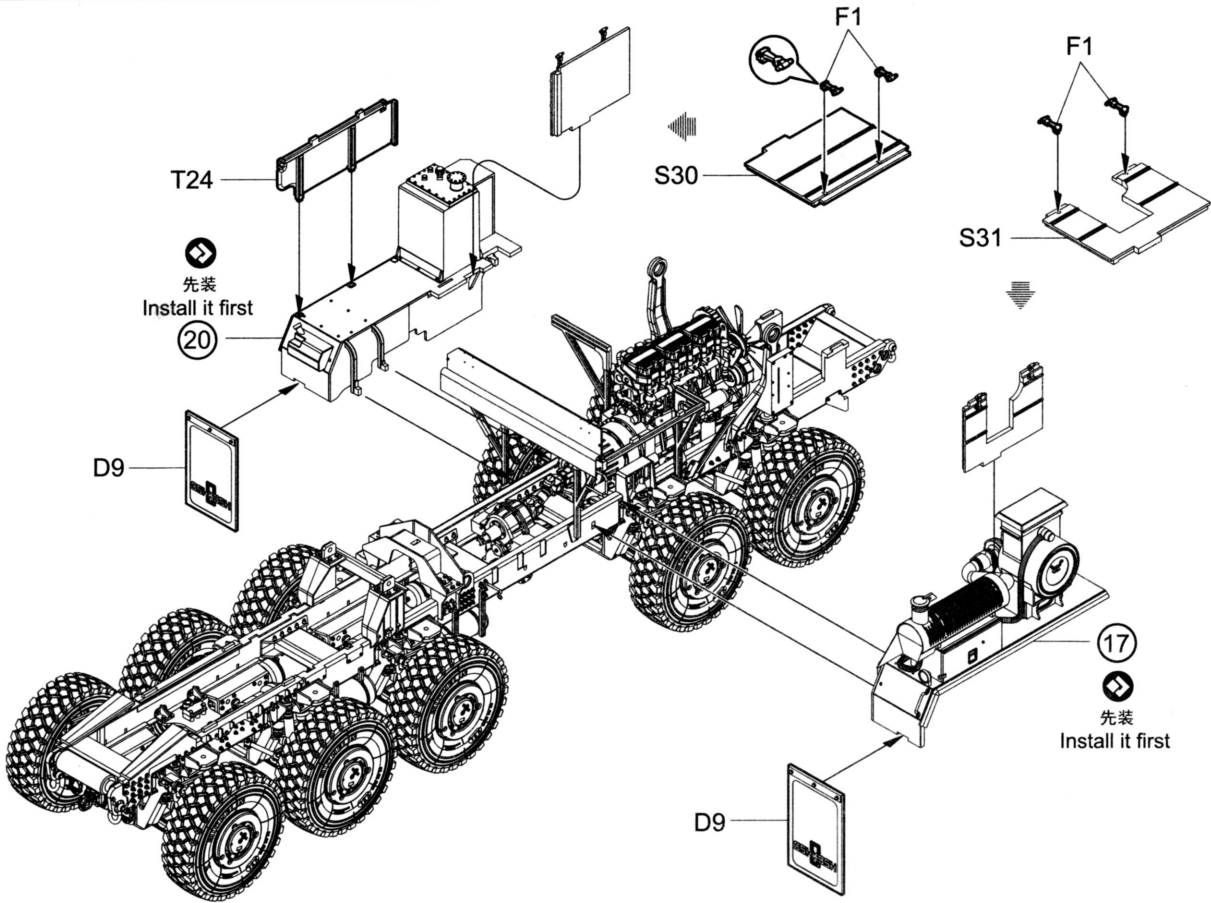


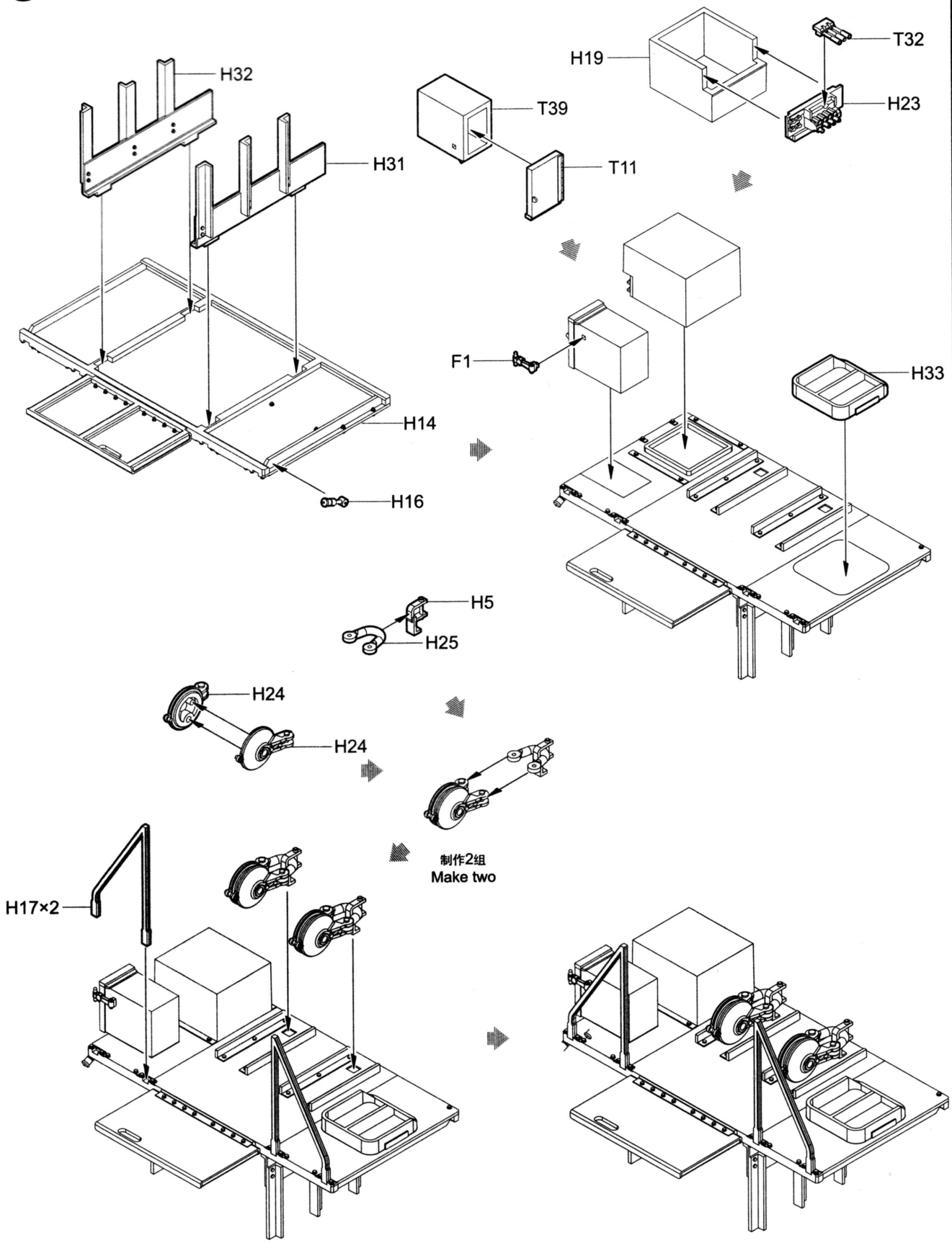
20

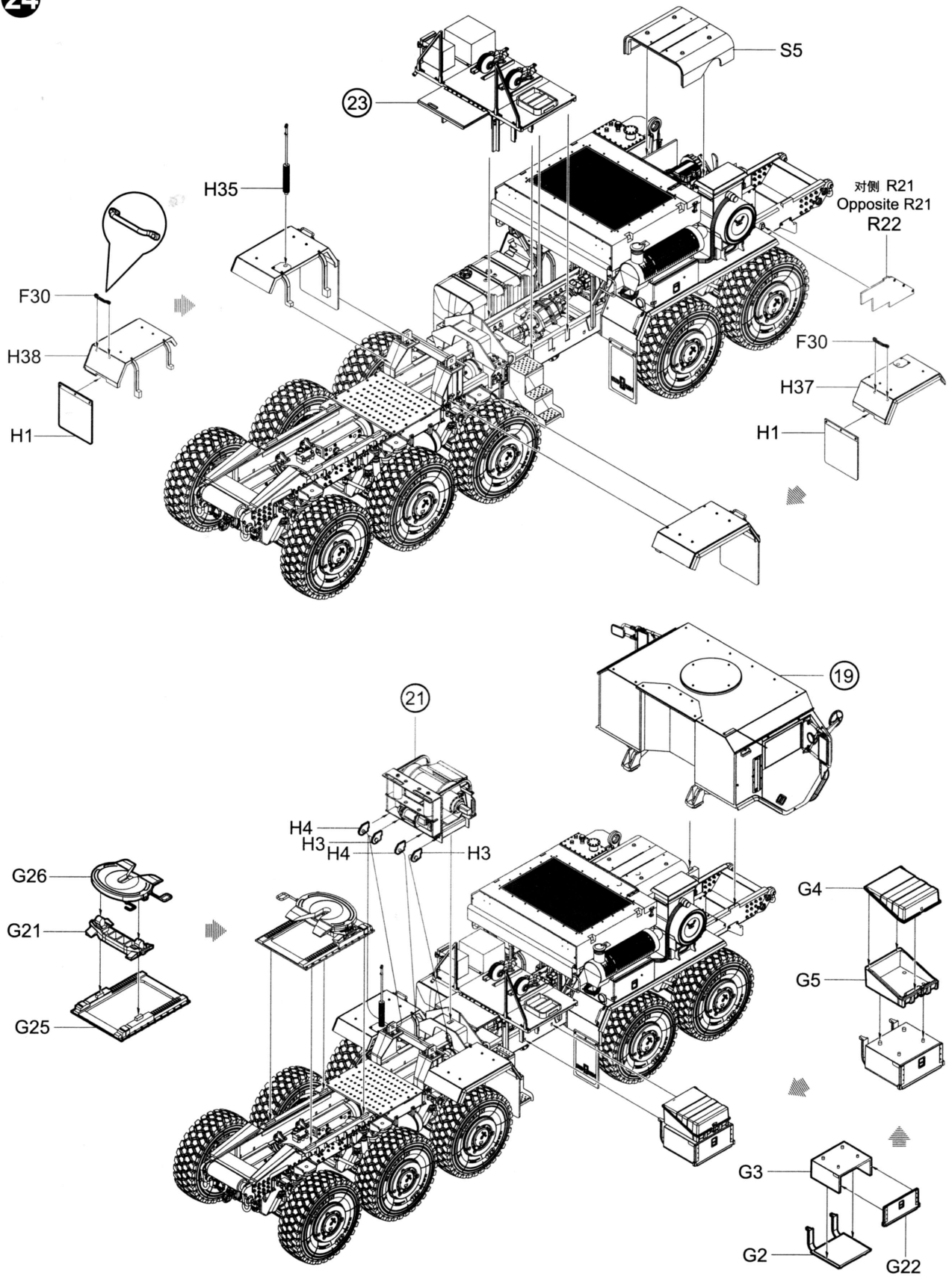


21

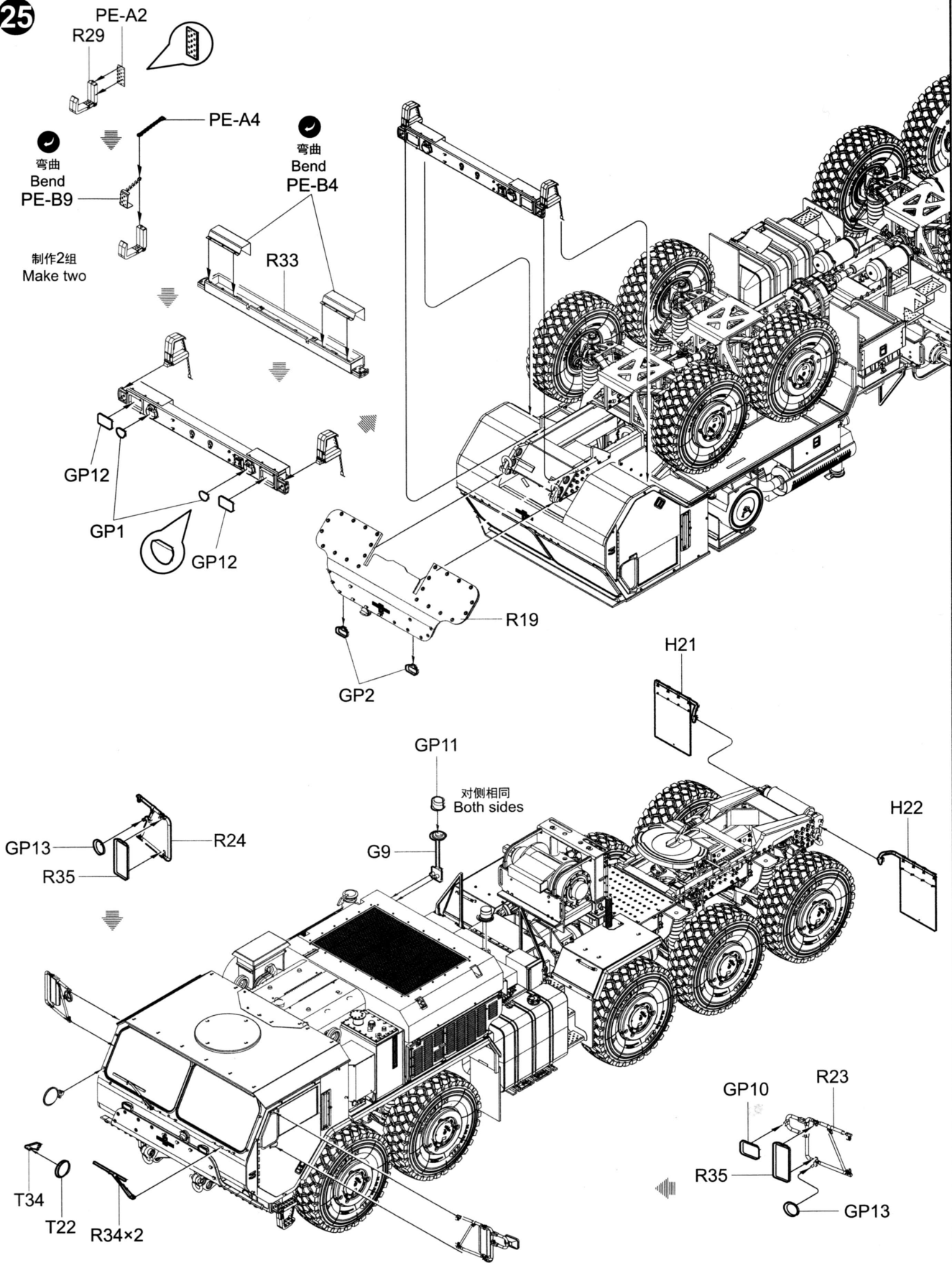


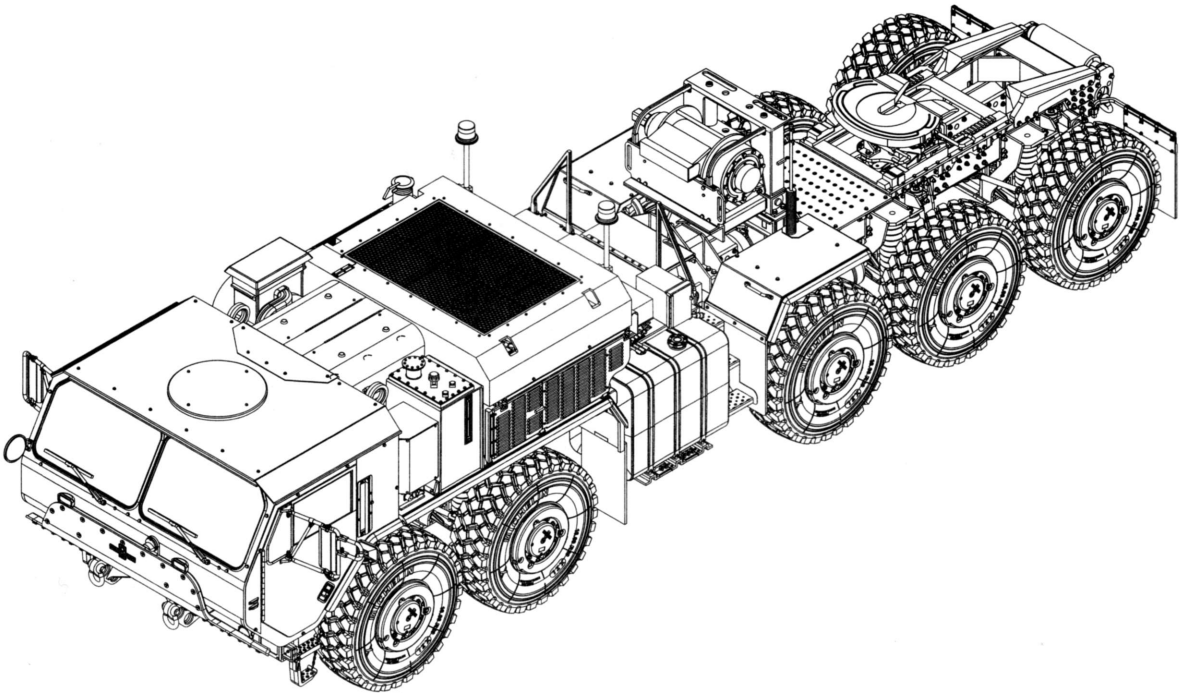
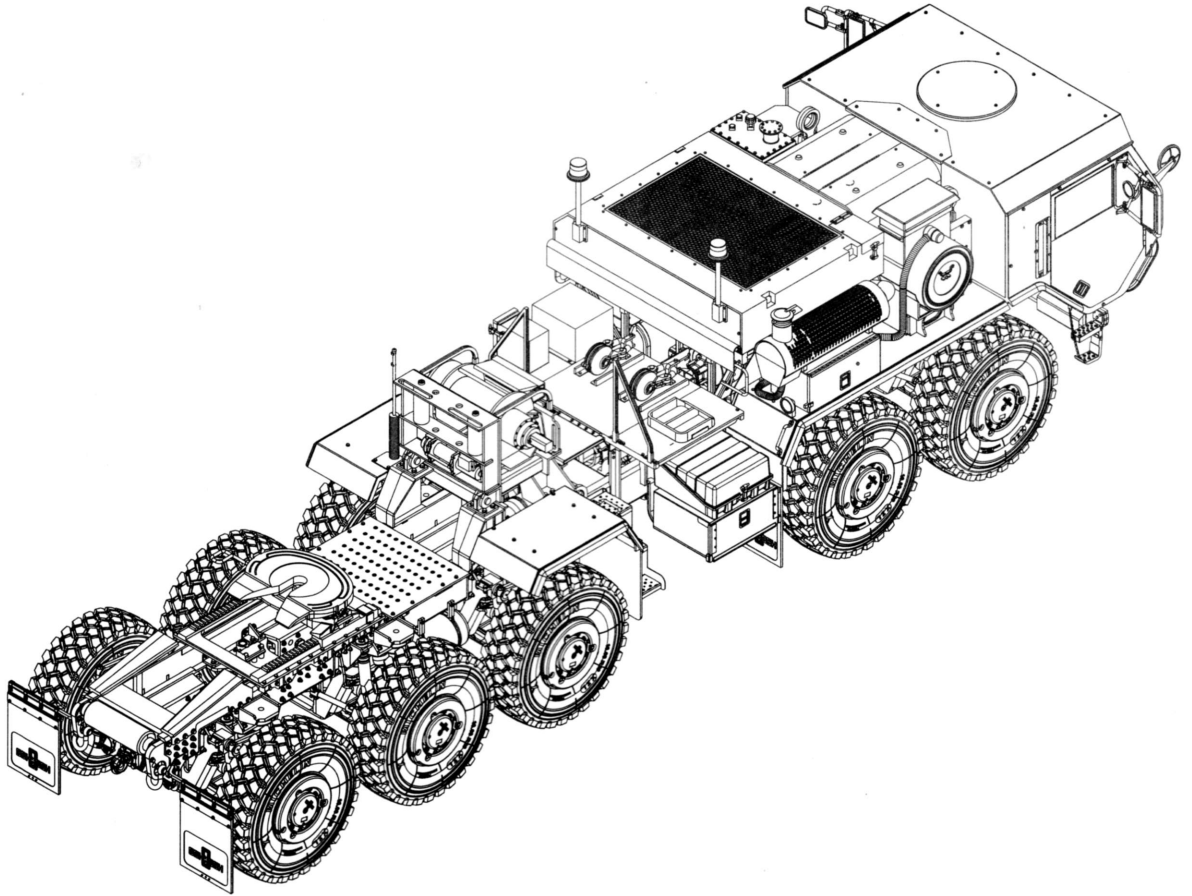






25



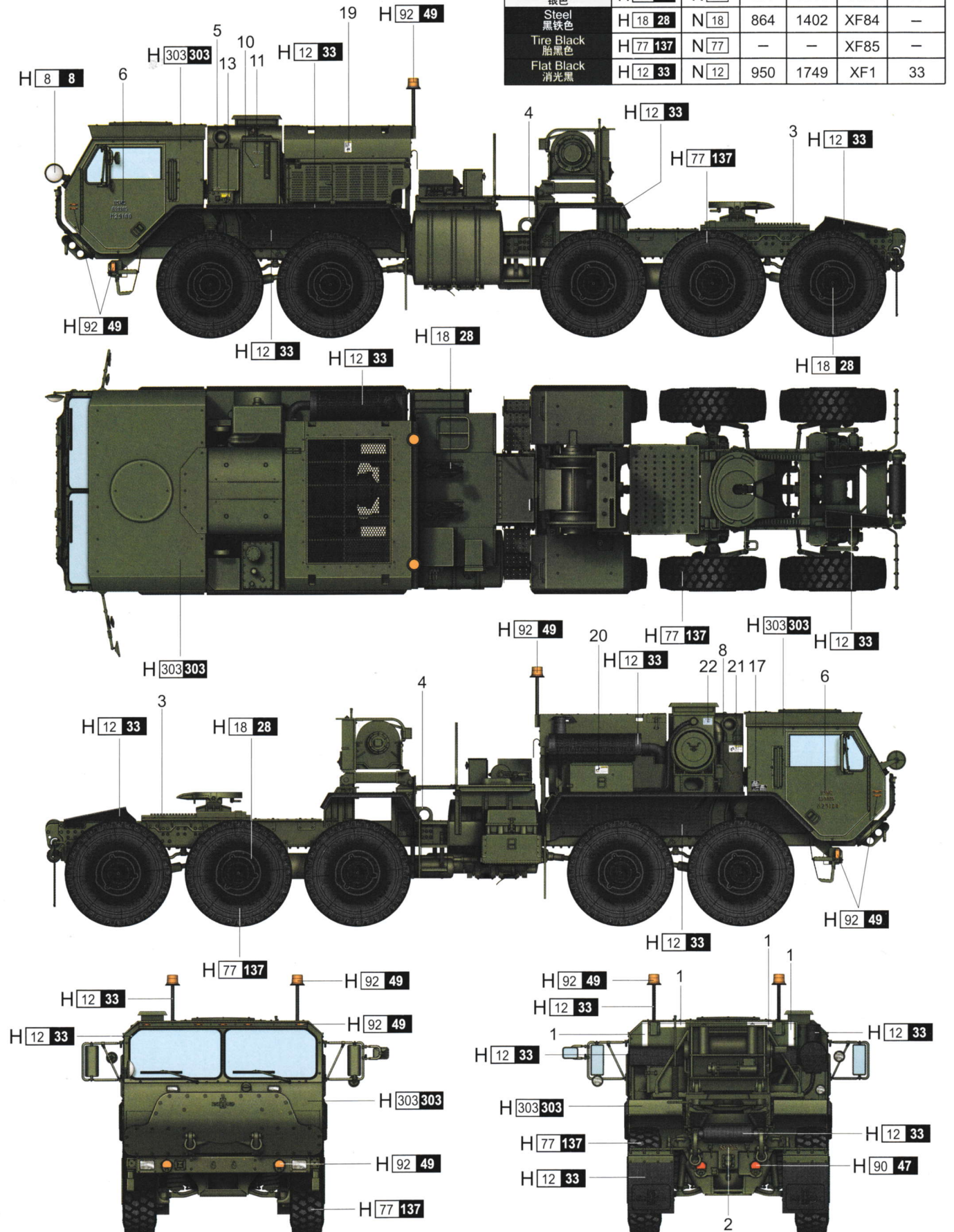


涂装同标贴指示

Painting & Marking guide

PAINT REFERENCE COLOR

| Color | Mr.Hobby | Acrycion | Vallejo | Model Master | Tamiya | Humbrol |
|---------------------|-----------|----------|---------|--------------|--------|---------|
| Light Green 绿色 | H 303 303 | N 303 | — | 1713 | XF20 | 117 |
| Clear Orange 透明橘 | H 92 49 | N 92 | 935 | — | X26 | — |
| Clear Red 透明红 | H 90 47 | N 90 | 934 | — | X27 | — |
| Silver 银色 | H 8 8 | N 8 | 997 | 1546 | X11 | 11 |
| Steel 钢铁色 | H 18 28 | N 18 | 864 | 1402 | XF84 | — |
| Tire Black 胎黑色 | H 77 137 | N 77 | — | — | XF85 | — |
| Flat Black 消光黑 | H 12 33 | N 12 | 950 | 1749 | XF1 | 33 |



H AQUEOUS HOBBY COLOR Mr. COLOR N ACRYSION COLOR