

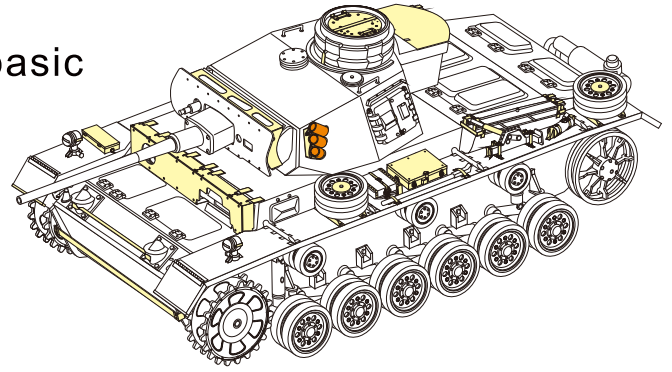
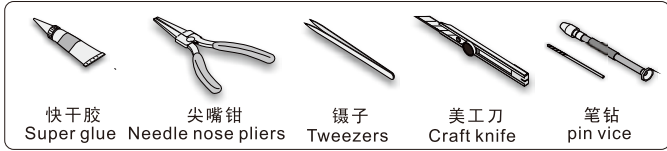
1/35 MILITARY MINIATURE VEHICLE UPGRADE SERIES PE351078











WWII German Pz.KPfw.III Ausf.M basic


二战德军III号坦克M型基本改造件

[For TAKOM 8002]

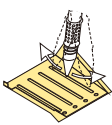
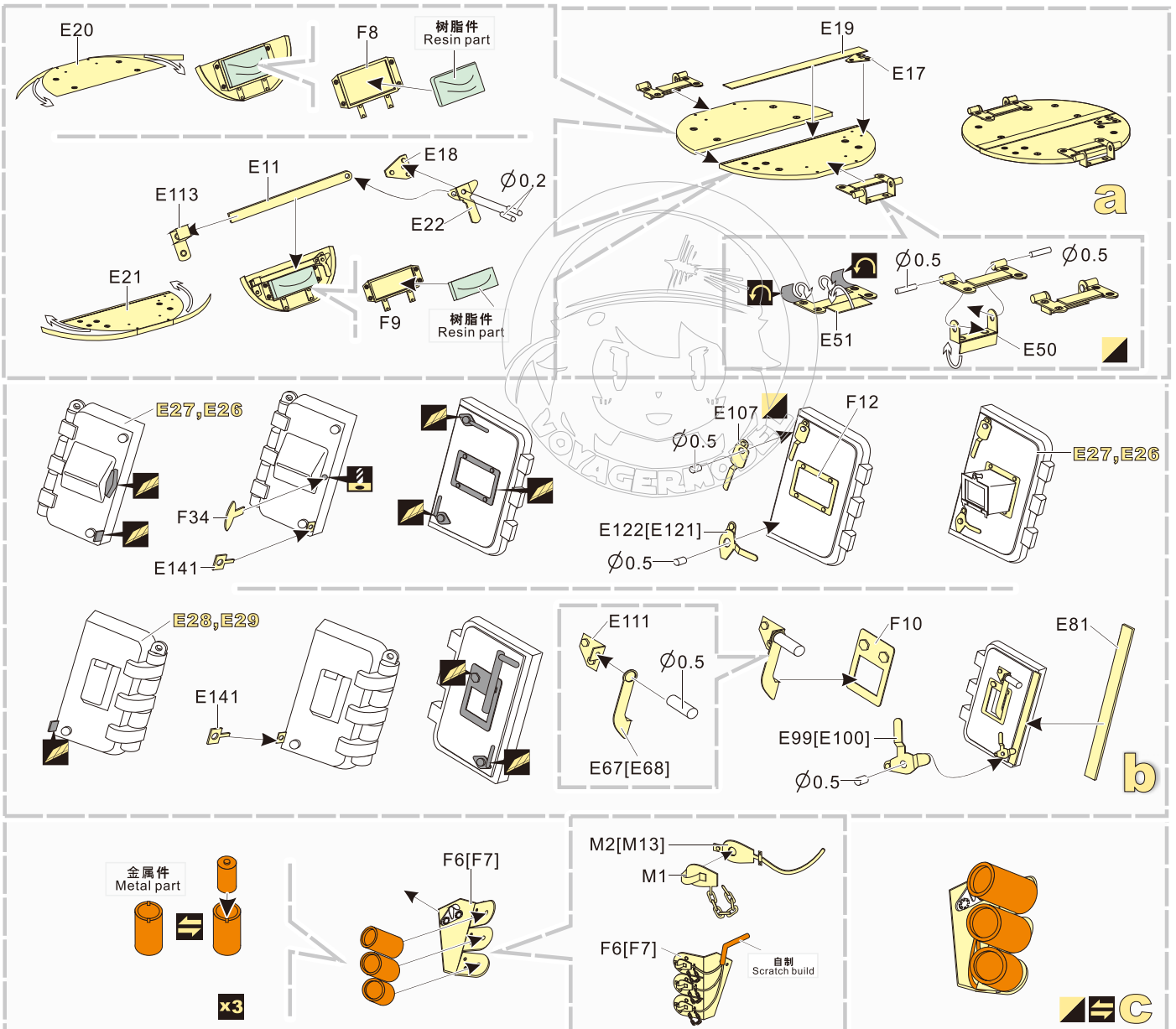
推荐使用工具 RECOMMENDED TOOLS



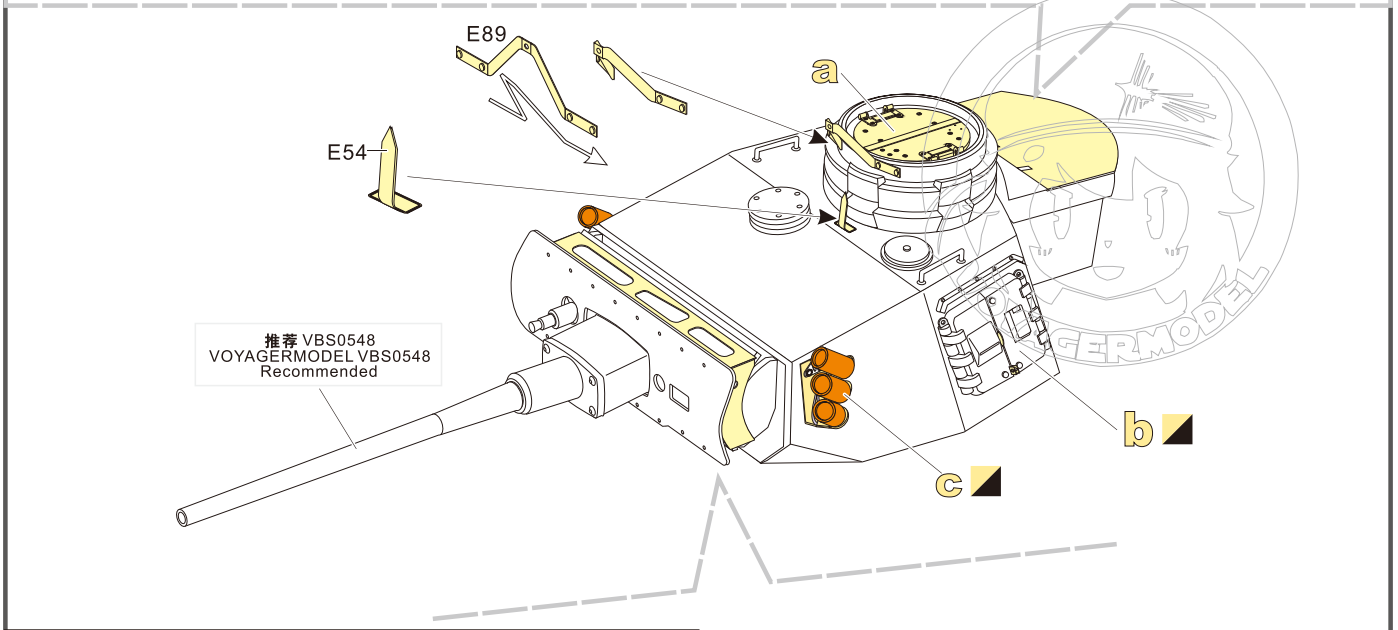
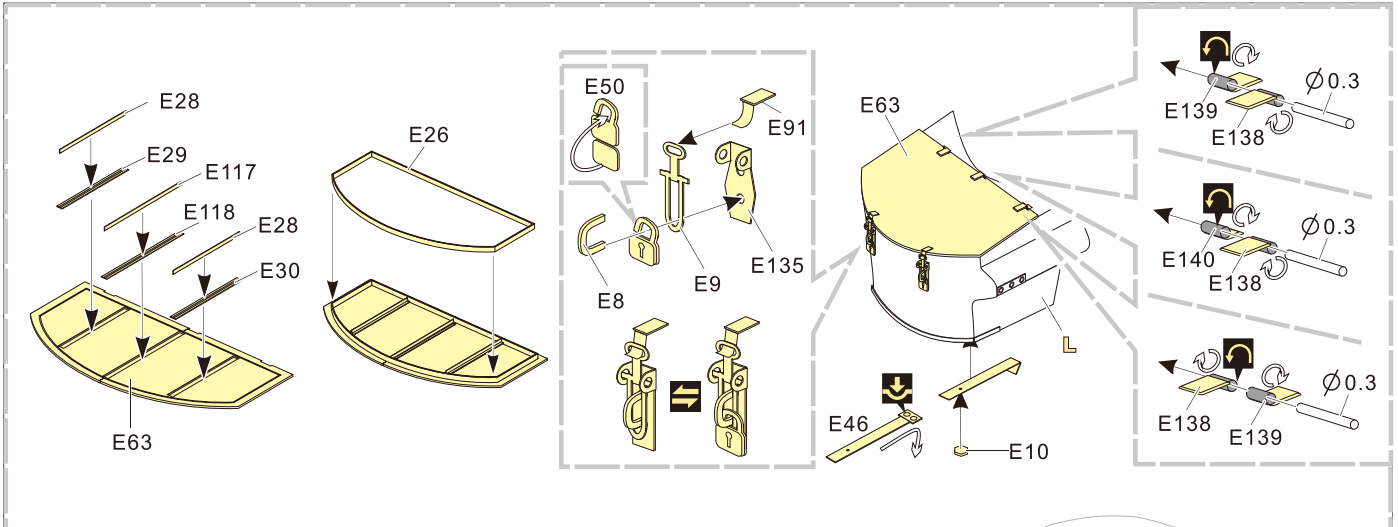
- 
安装
install
- 
折叠
bend
- A1**
改造件零件编号
PE/resin part number
- B12**
原零件编号
kit part number
- C22**
被替换的原零件编号
replaced kit part number
- 
 另一侧相同制作
repeat on opposite side
- 
切除
remove
- 
打磨
grind off
- 
弧度卷曲
radial bending
- 
制作若干组
multiple assembly
- 
选择安装
alternative
- 
用铜管制作
make from brass tube
- 
用胶棒制作
make from plastic rod


用尖端在凹槽处冲压
use penpoint to press on the dent

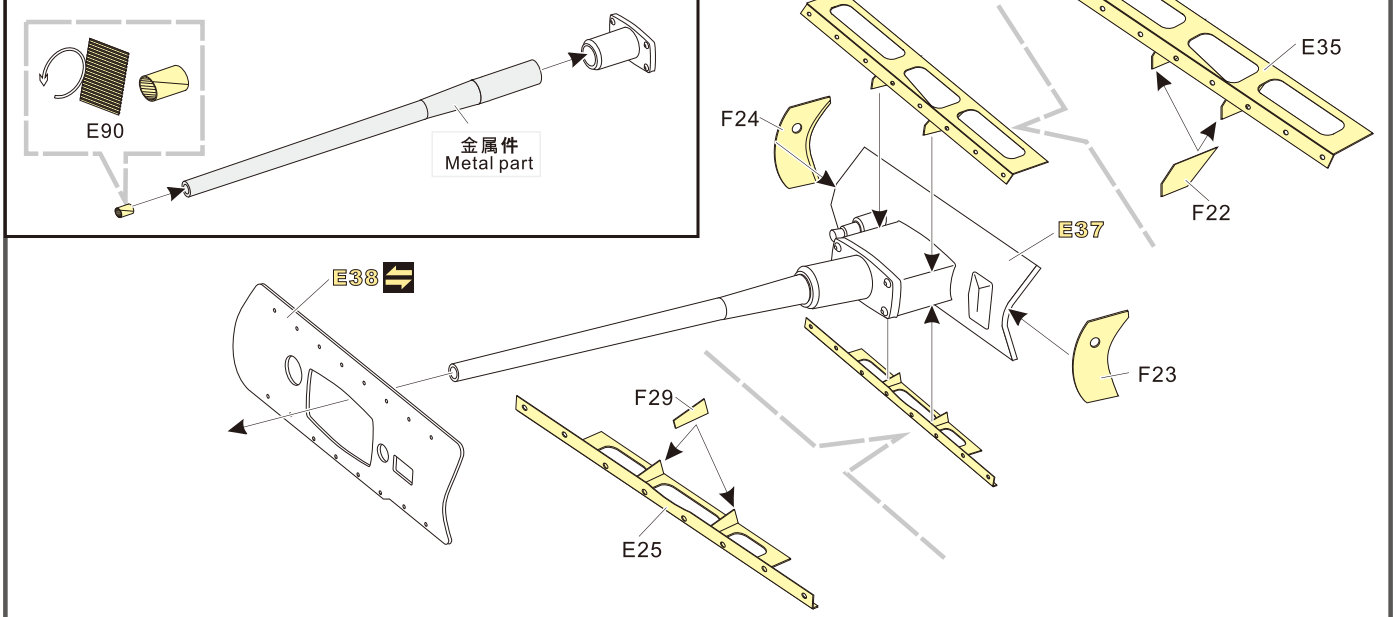
蚀刻片零件内侧面向上
Put the part upside down
用笔尖在凹槽处刺
Use penpoint to press on the dent

1/35 MILITARY MINIATURE VEHICLE UPGRADE SERIES PE351078



THE STEPS IN THE BLACK BOX APPLY FOR PE351078 B VERSION
黑框内的步骤仅适用于PE351078 B版本



1/35 MILITARY MINIATURE VEHICLE UPGRADE SERIES PE351078

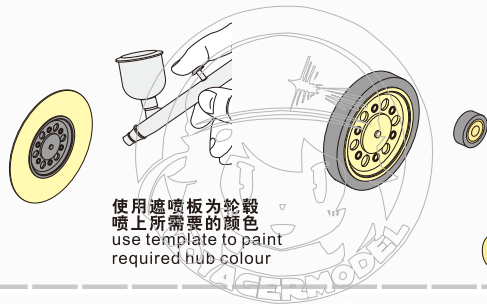
漏喷板使用说明:
Instruction:



未上色零件
Unpainted part

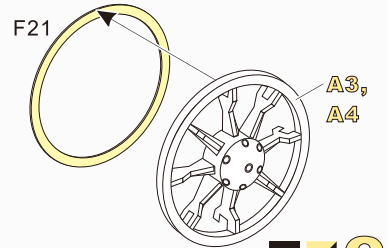


喷橡胶黑
spray tyre black

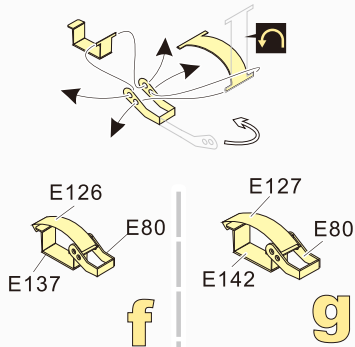


使用遮喷板为轮毂
喷上所需要的颜色
use template to paint
required hub colour

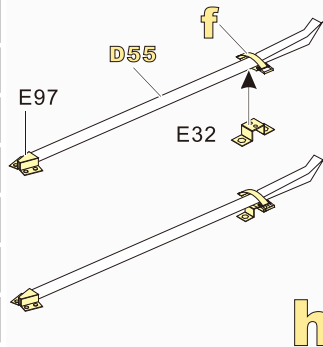
d



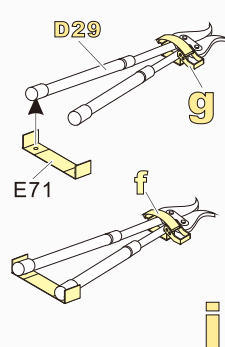
x2 e



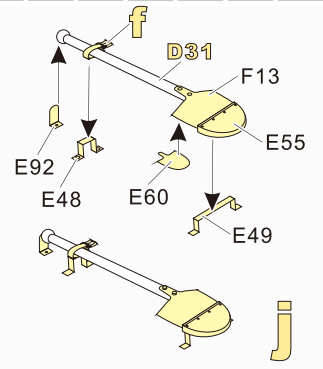
f



g

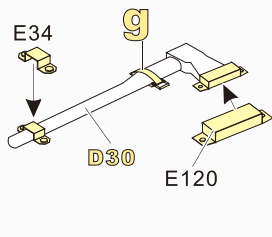


h

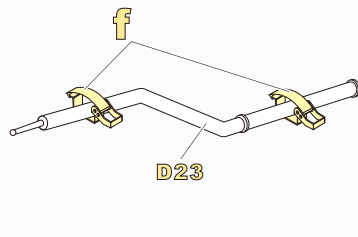


i

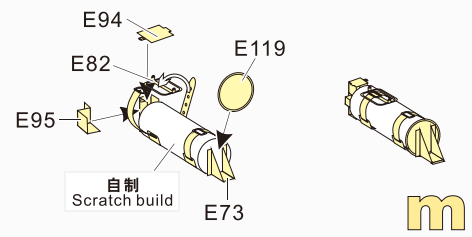
j



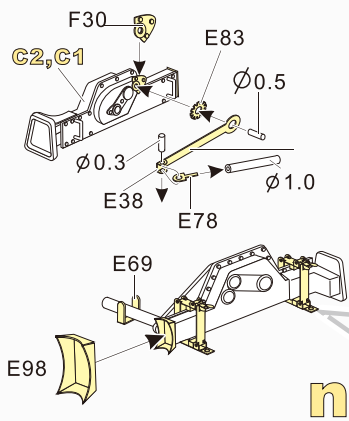
k



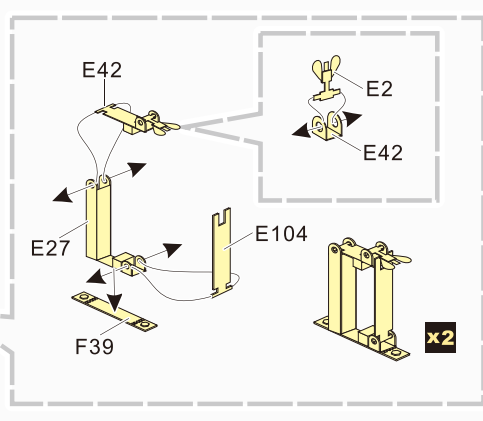
l



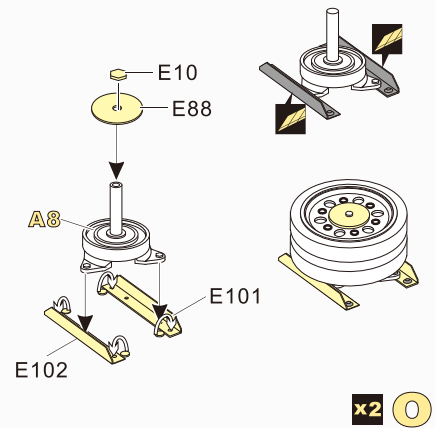
m



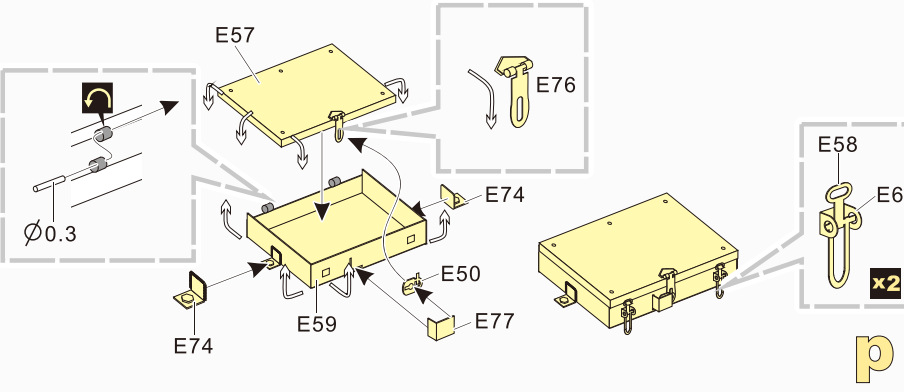
n



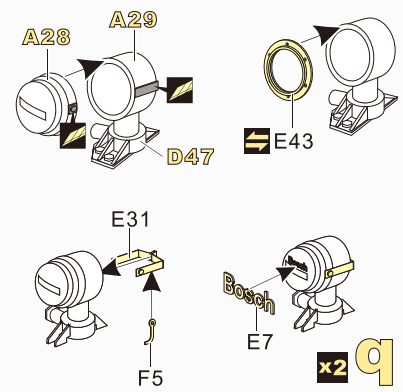
x2



x2 o

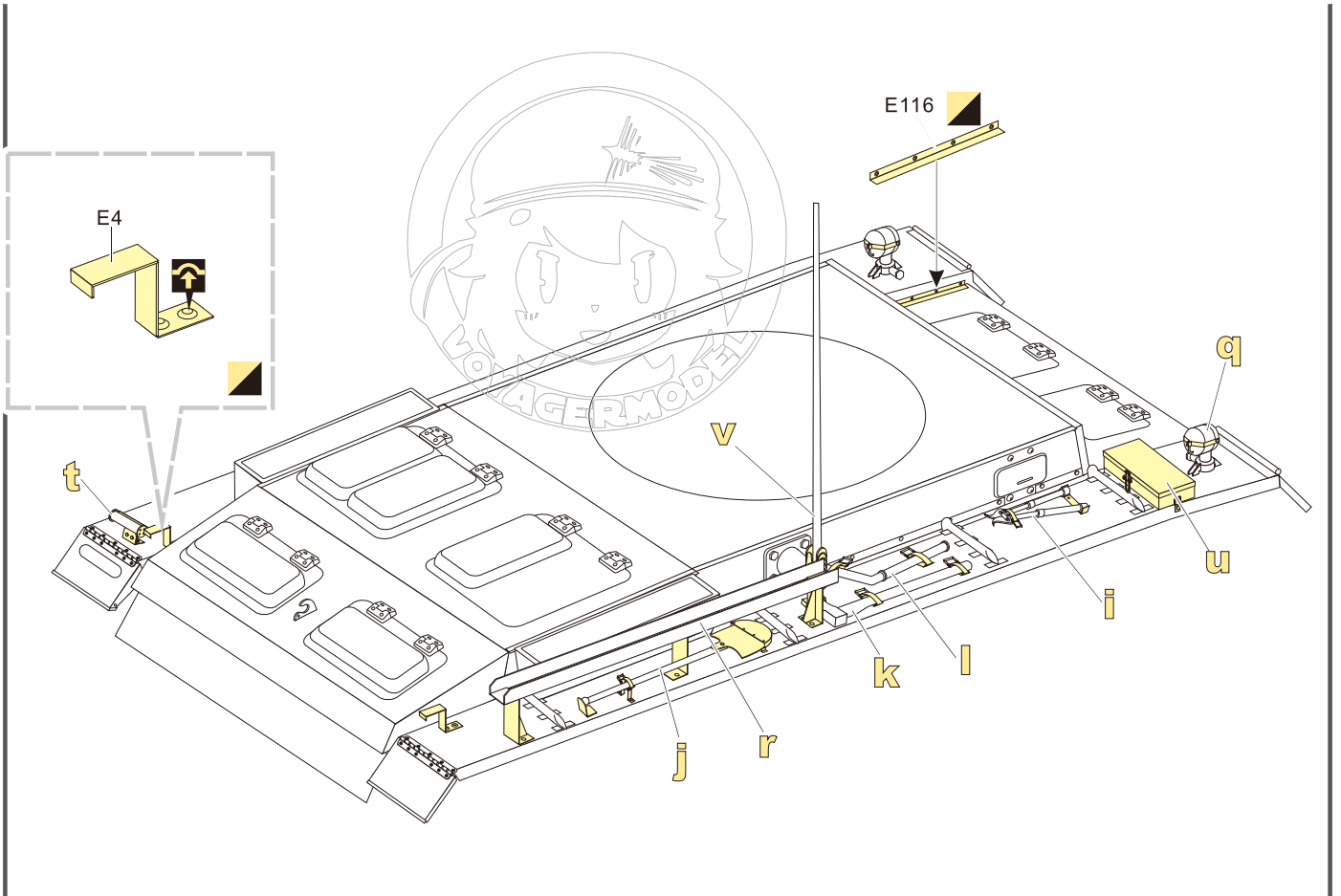
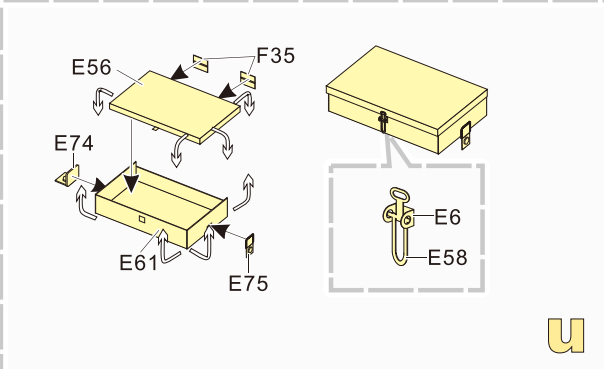
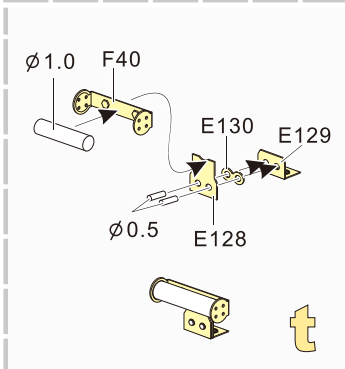
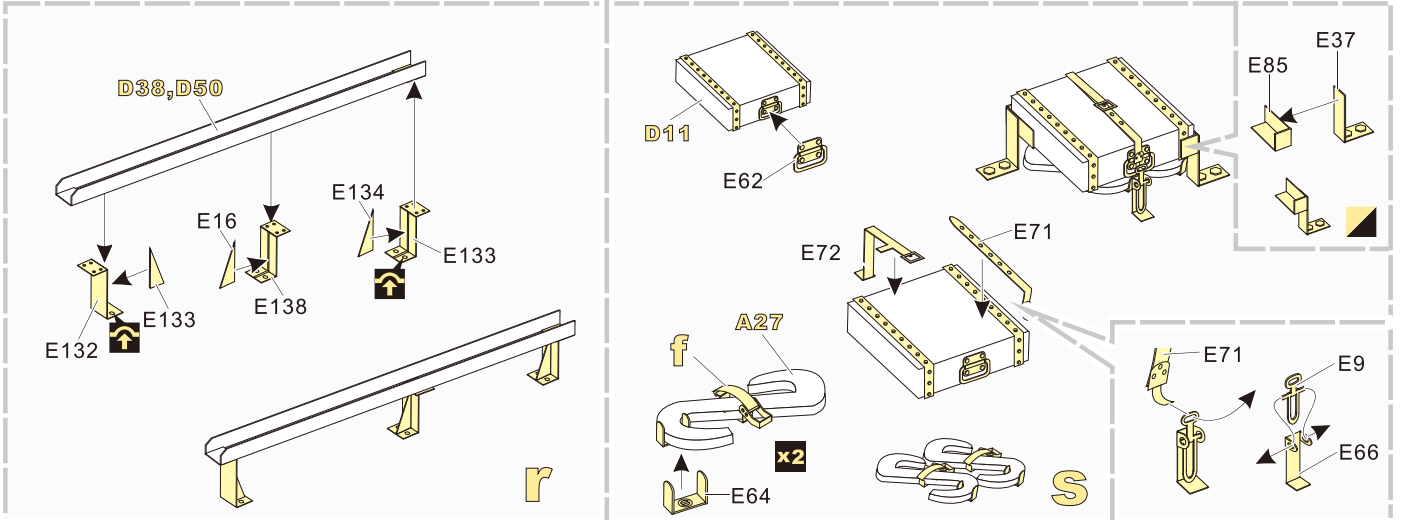


p

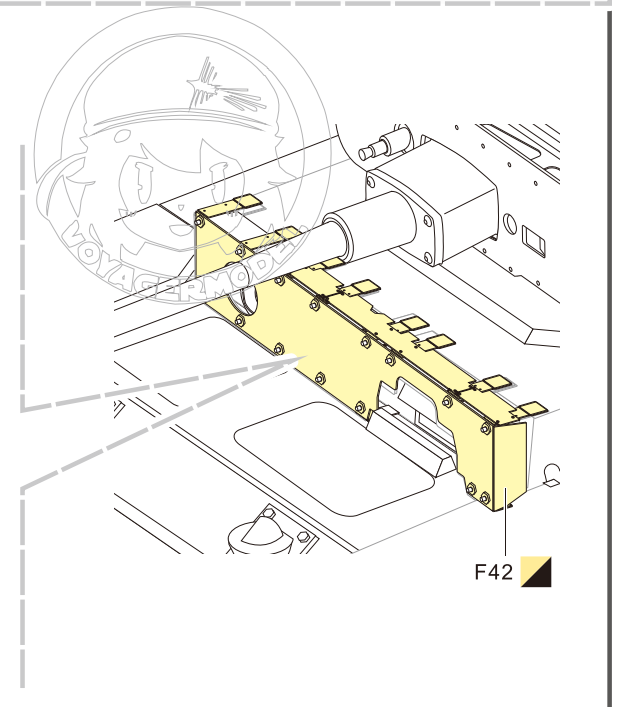
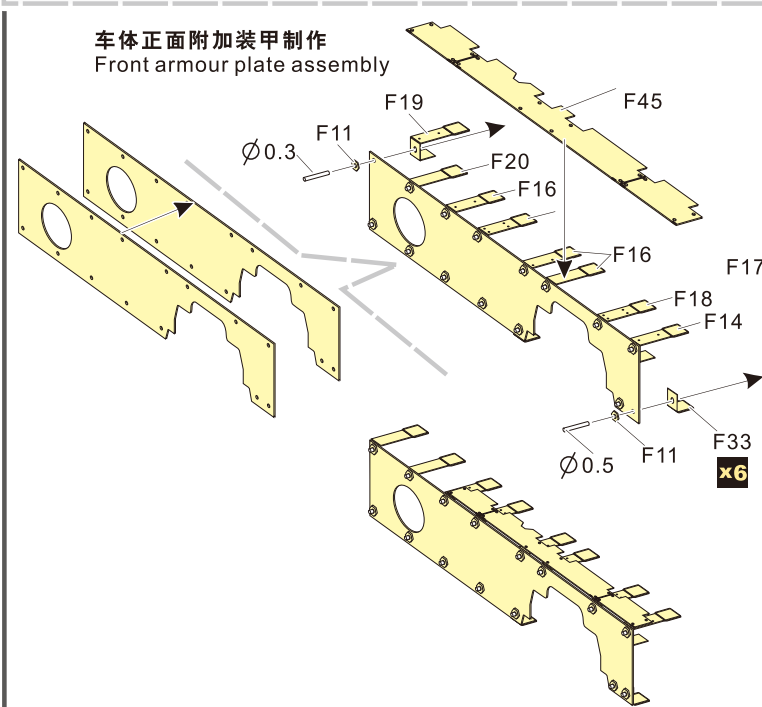
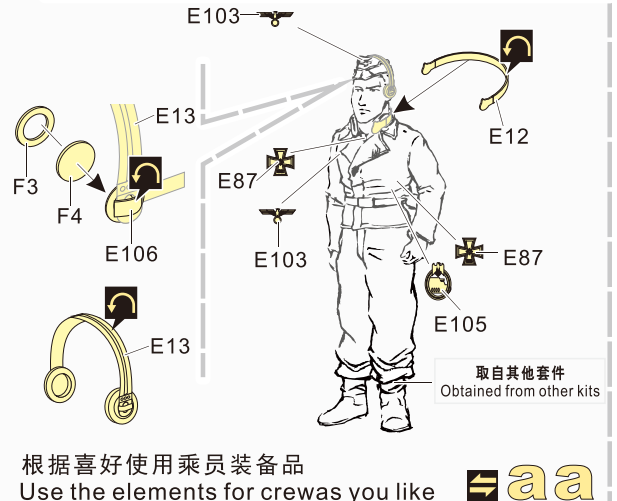
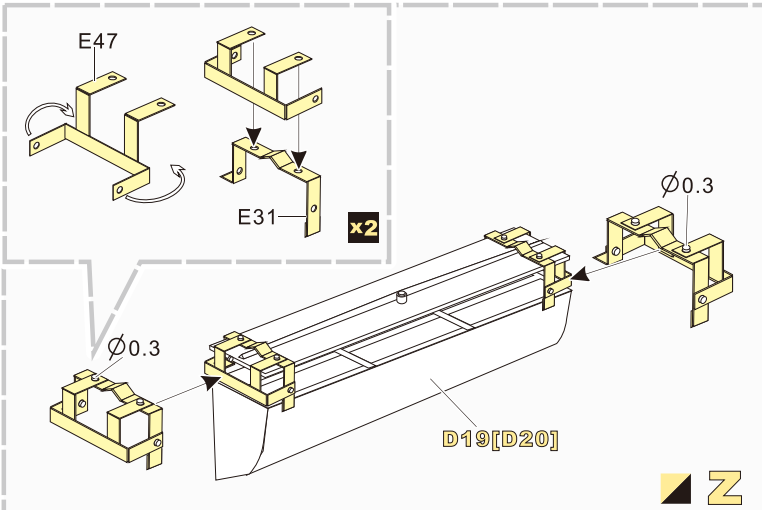
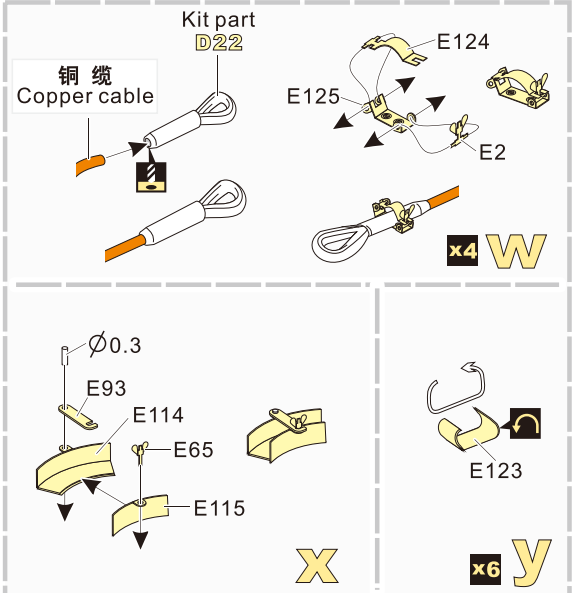
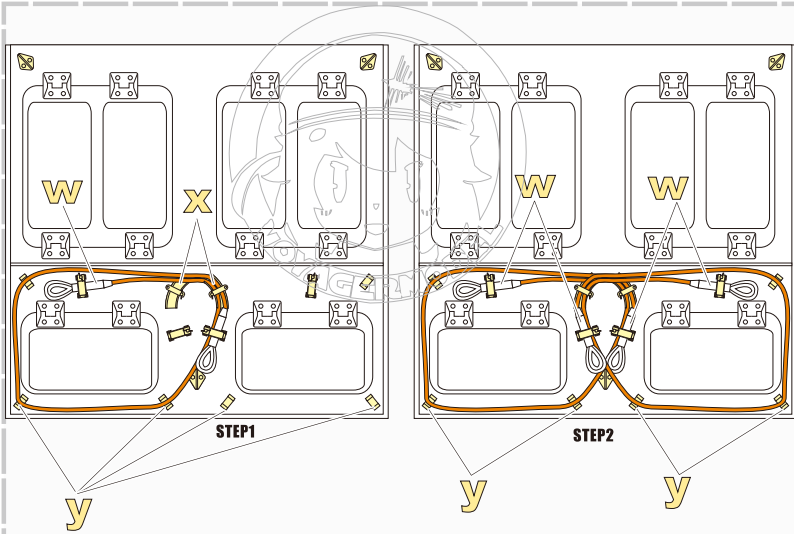


x2 q

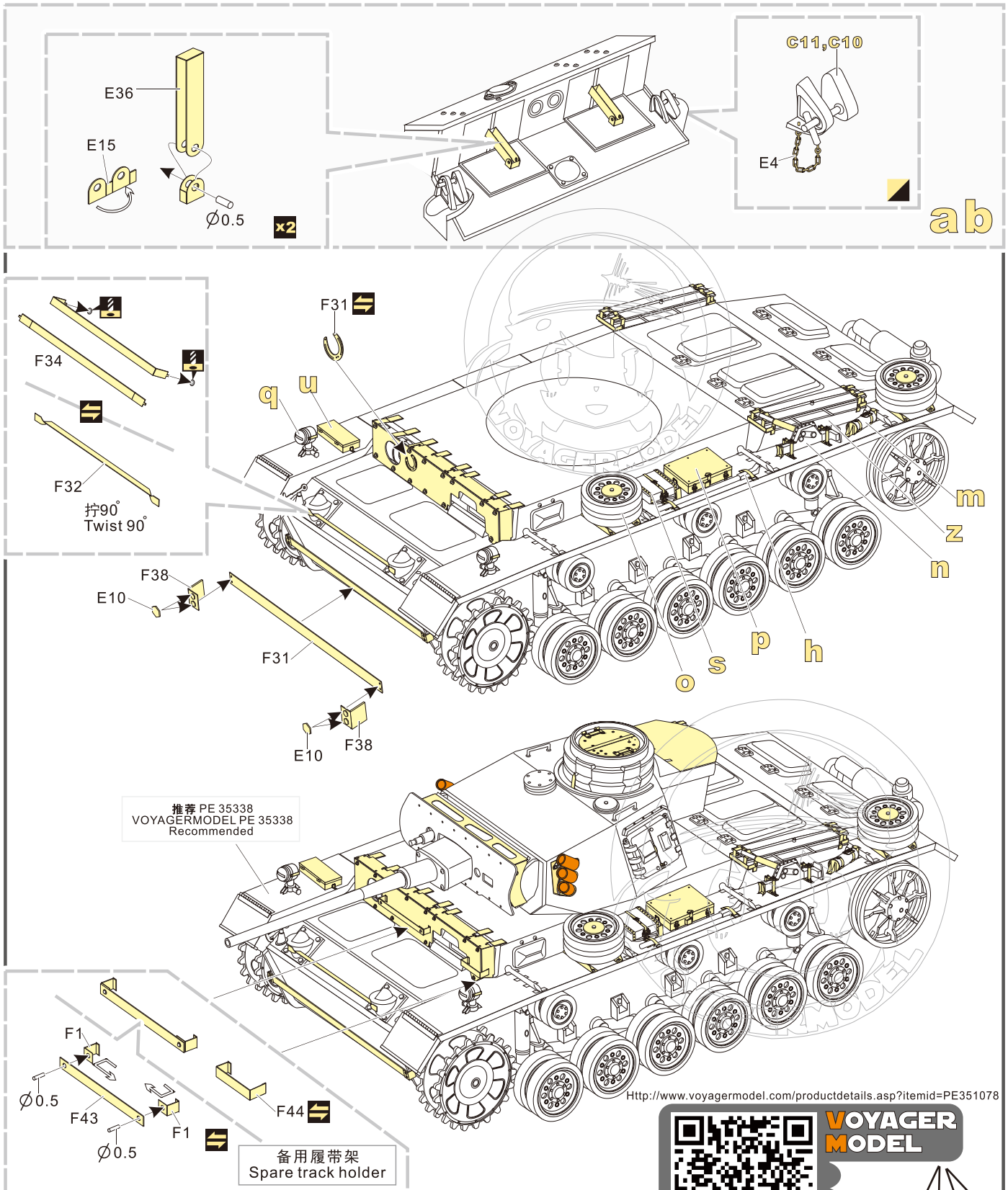
1/35 MILITARY MINIATURE VEHICLE UPGRADE SERIES PE351078



1/35 MILITARY MINIATURE VEHICLE UPGRADE SERIES PE351078



1/35 MILITARY MINIATURE VEHICLE UPGRADE SERIES PE351078



<http://www.voyagermodel.com/productdetails.asp?itemid=PE351078>



VOYAGER MODEL



更多PE351078样品照片参考请扫一扫
MORE PICTUER OF PE 351078
REFERENCE SCAN HERE

VOYAGERMODEL® 无微不至 精益求精	
Recommended item	
PE 35338	WWII German Pz.KPfw.III L-N version/StuG.III F8 version Fenders
PEA448	WWII German Pz.Kpfw.III Ausf.M/N Additional Armour
VBS0548	WWII German 50mm KwK39 L/60 Gun Barrel (Pz.III used)
PEA108	WWII German Pz.KPfw.III Late Production Damaged Road Wheels