

ITEM NO.01102

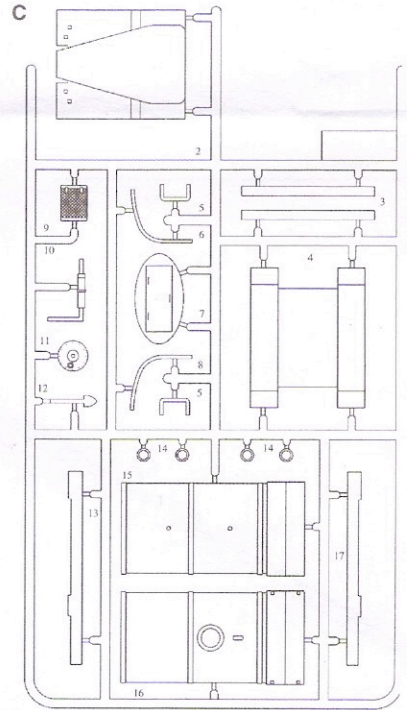
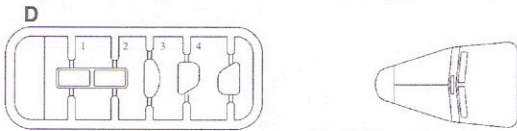
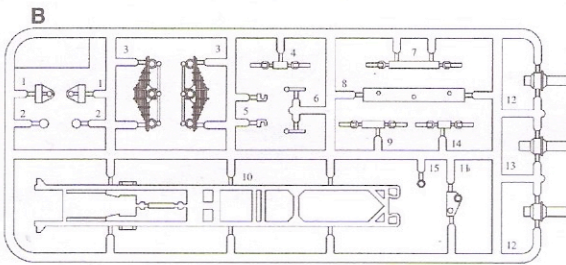
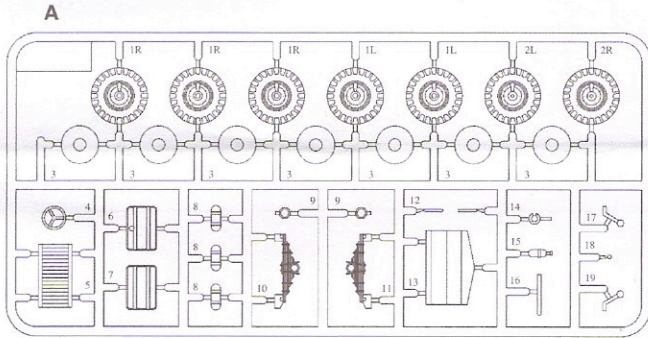


1/72 SCALE

# 吉尔157油罐车

## ZIL-157 Soviet Fuel truck

部品图  
Parts



H8 - X11 银色 Silver



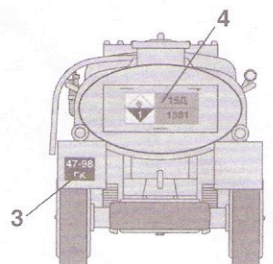
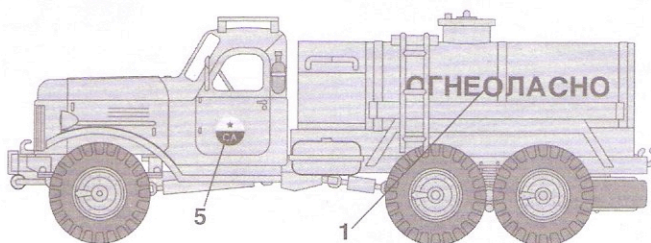
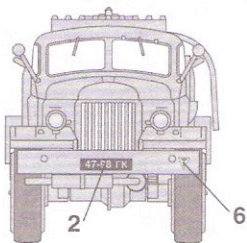
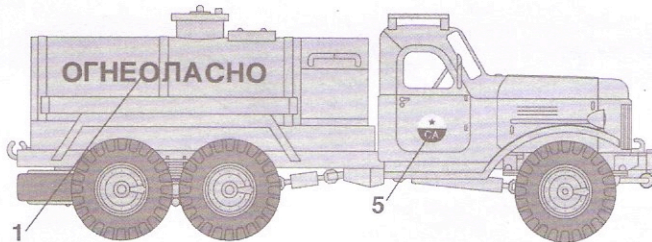
H304 - 橄榄 FS34087  
Olive drab FS34087



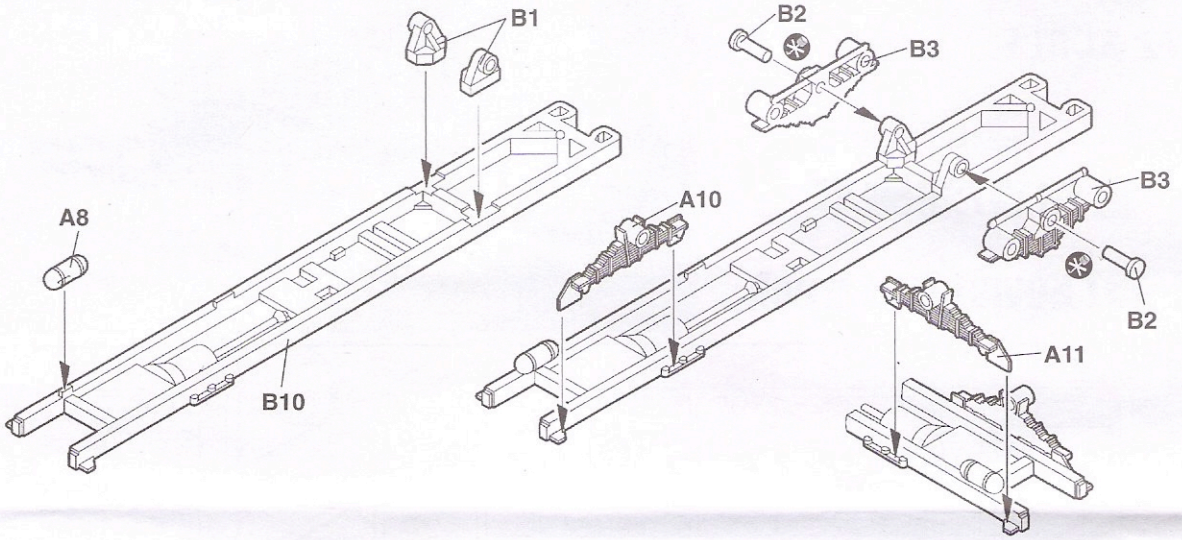
H13 - XF7 红色(哑光) Flat red



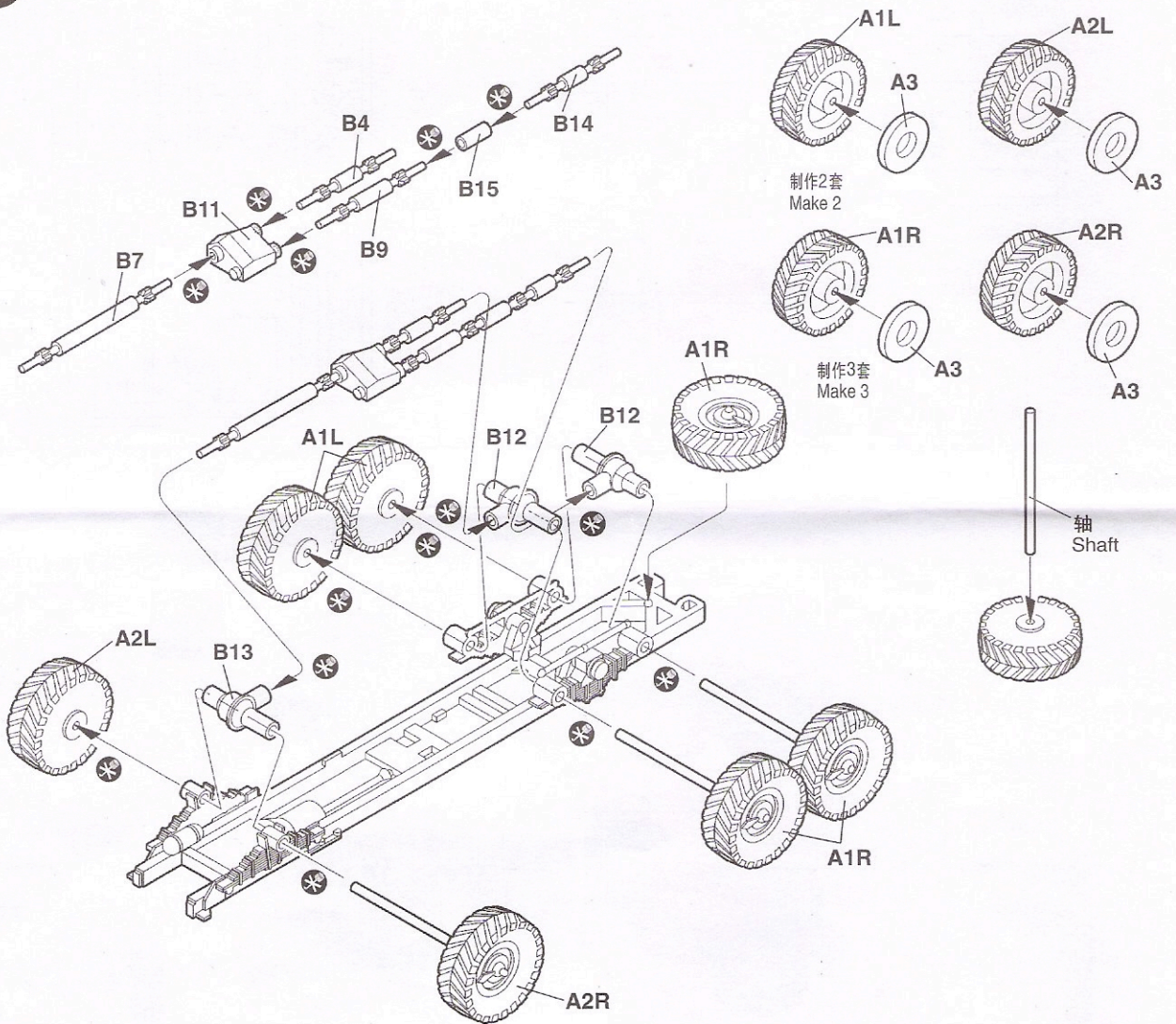
H77 - 胎黑色 Tire black



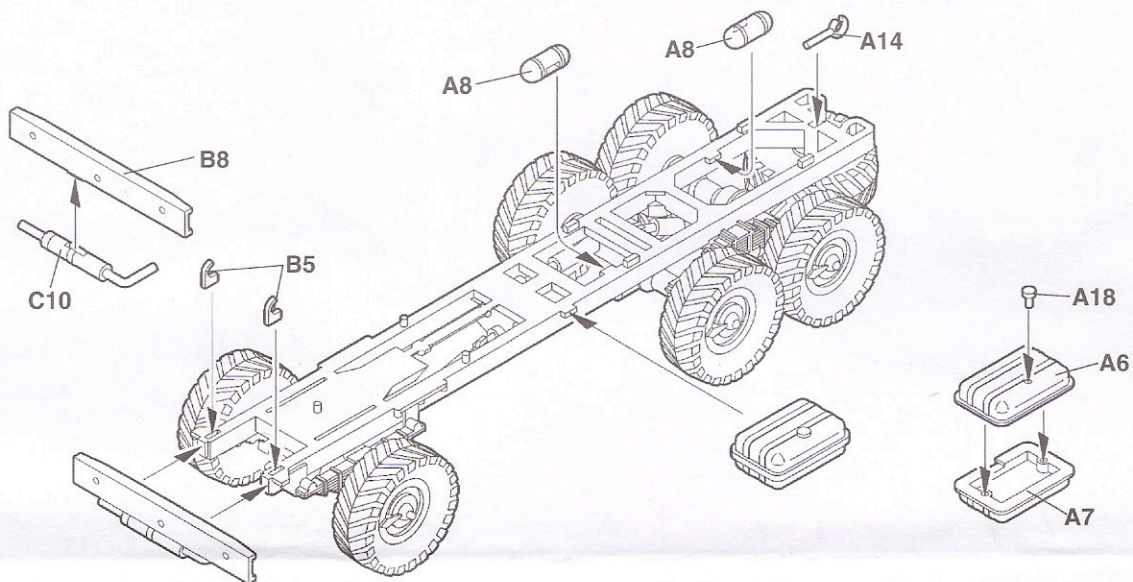
1



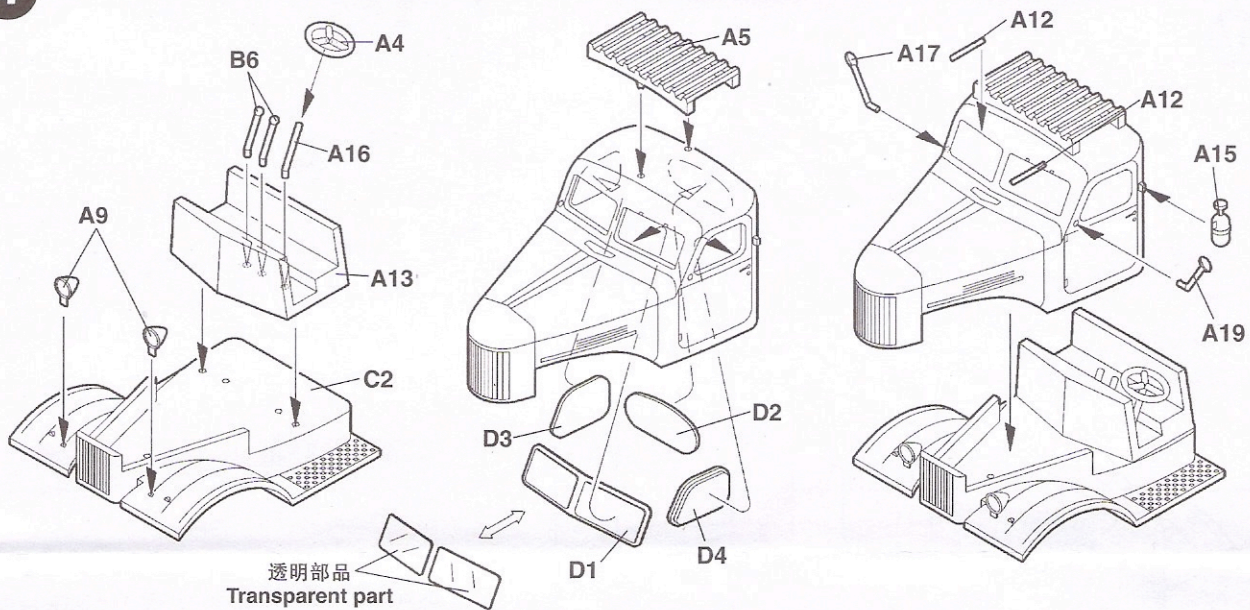
2



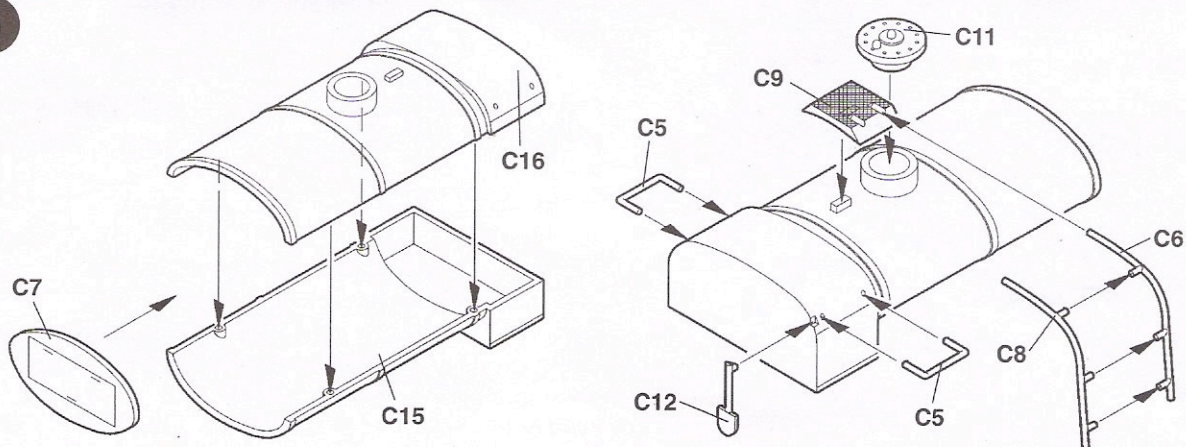
3



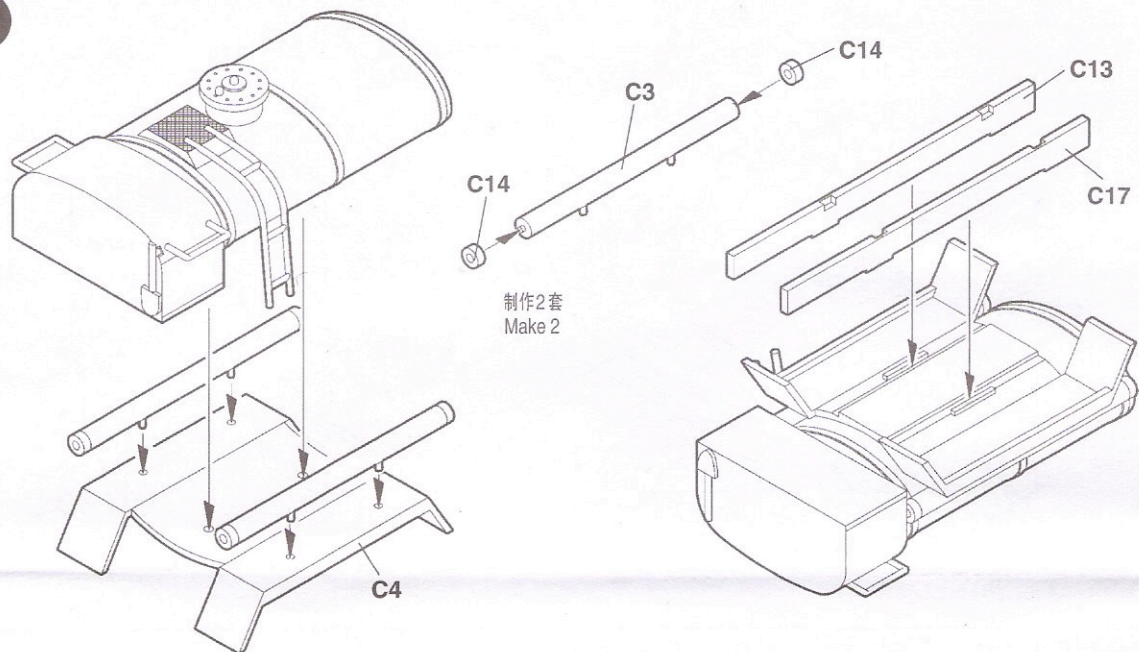
4



5

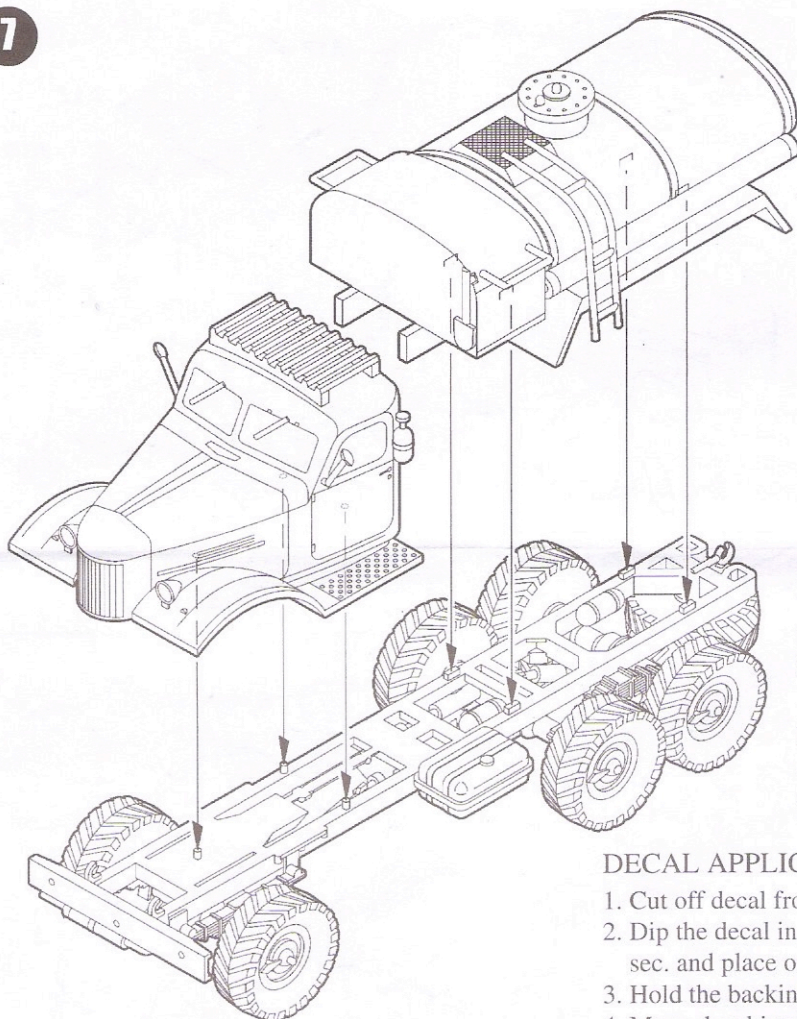


6



制作2套  
Make 2

7



#### 水贴纸的使用:

1. 从水贴上剪下印花;
2. 将印花放入温水中浸10秒, 然后放在干净布上。
3. 拿着印花纸板将印花移到模型上;
4. 手指蘸水将印花移到适当的位置;
5. 用软布轻压印花直至水干, 气泡消失。

#### DECAL APPLICATION

1. Cut off decal from sheet.
2. Dip the decal in tepid water 40°C for about 10 sec. and place on a clean cloth.
3. Hold the backing sheet edge and slide decal onto the model.
4. Move decal into position by wetting decal with finger.
5. Press decal gently down with a soft cloth until excess water and air bubbles are gone.