



DW35012 **Dor dem Zusammenbau lesen!**

CAUTION

- Read carefully and fully understand the instructions before commencing assembly. A supervising adult should also read the instructions if a child assembles the model.
- When assembling this kit, tools including knives used. Extra care should be taken to avoid personal injury.
- Keep out of reach of small children. Children must not be allowed to suck any part, or pull vinyl bag over their heads.



Optional



Instant Glue
for Metal



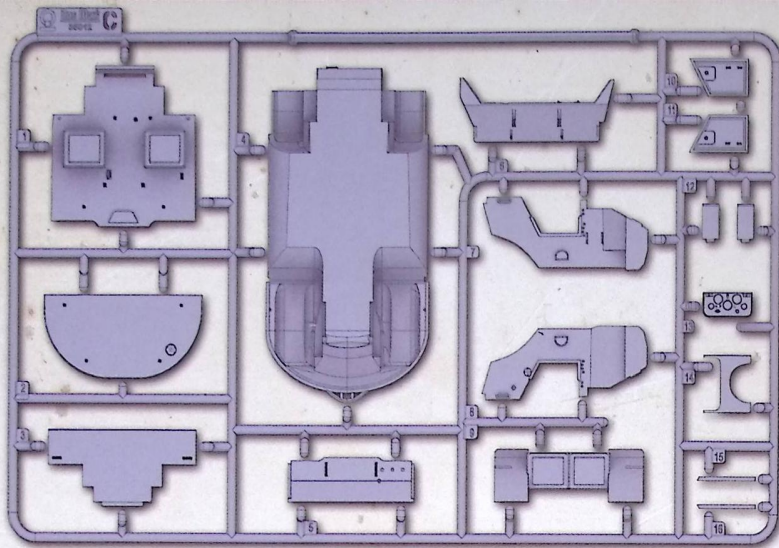
Do Not Cement



Be Careful

| AMIG | | Color Name |
|------|---|-----------------|
| 0046 | A | Black |
| 0195 | B | Silver |
| 0902 | C | Dunkelgelb |
| 0908 | D | Grey base |
| 0093 | E | Transparent red |
| 0050 | F | White |
| 0133 | G | Leather |

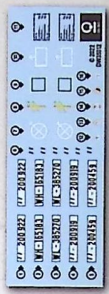
| AMIG | | Color Name |
|------|---|-------------------|
| 0024 | H | Washable white |
| 0036 | I | Wood |
| 0092 | J | Transparent Green |
| 0218 | K | Rust |
| 0197 | L | Rubber |
| F513 | M | Canvas |



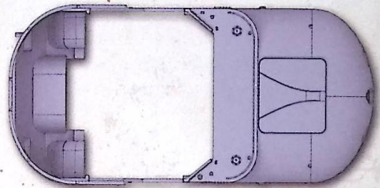
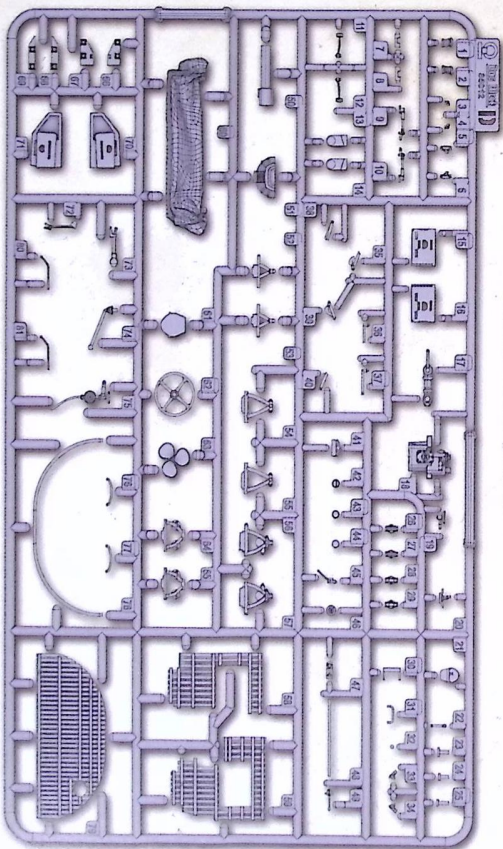
X4



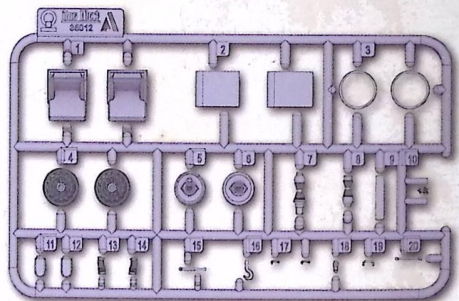
TP



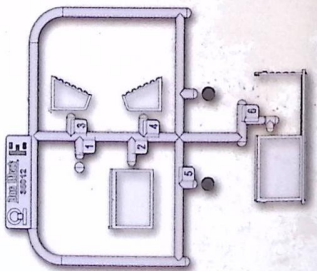
Decal

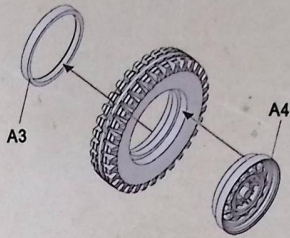


Upper Hull

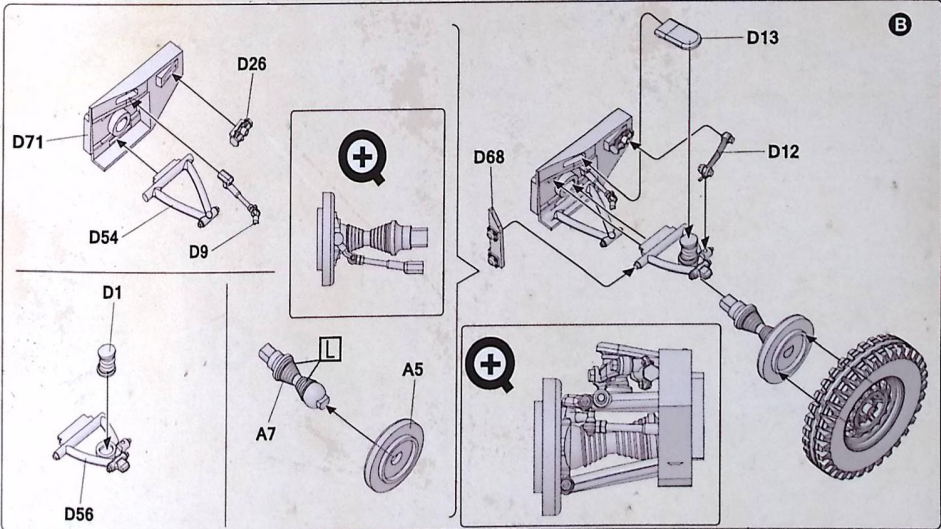
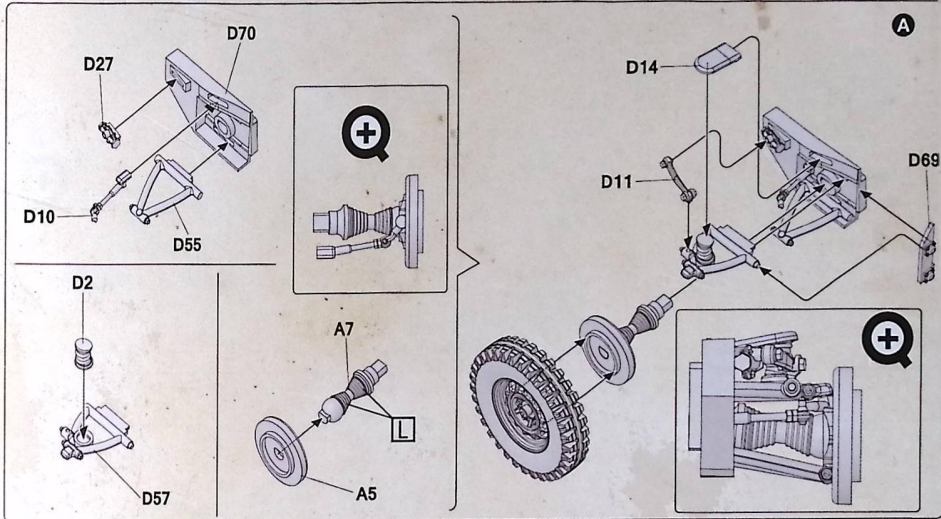


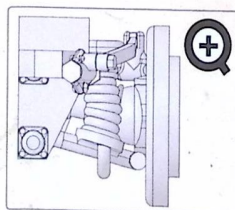
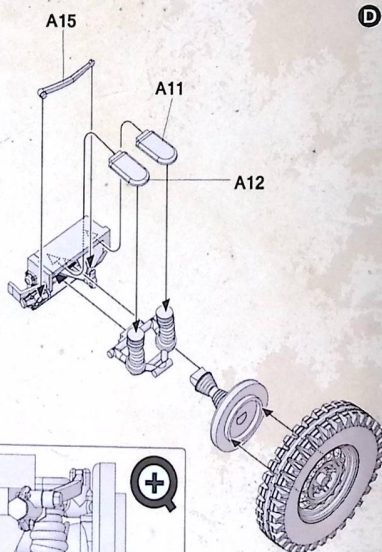
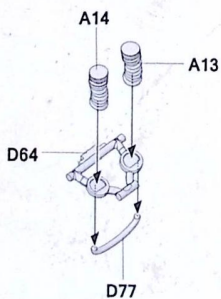
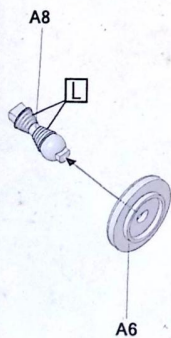
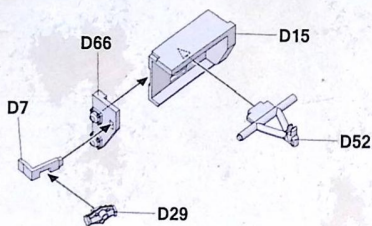
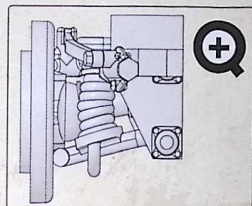
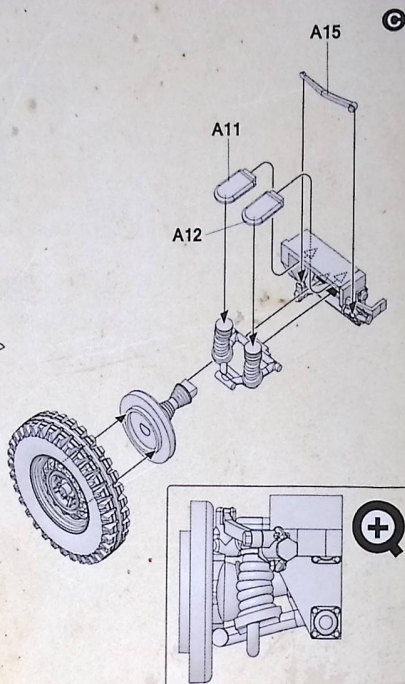
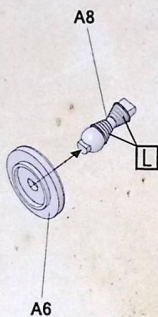
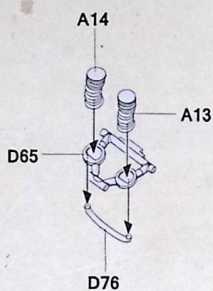
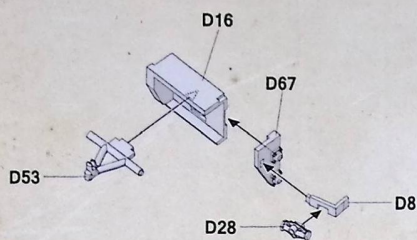
X2

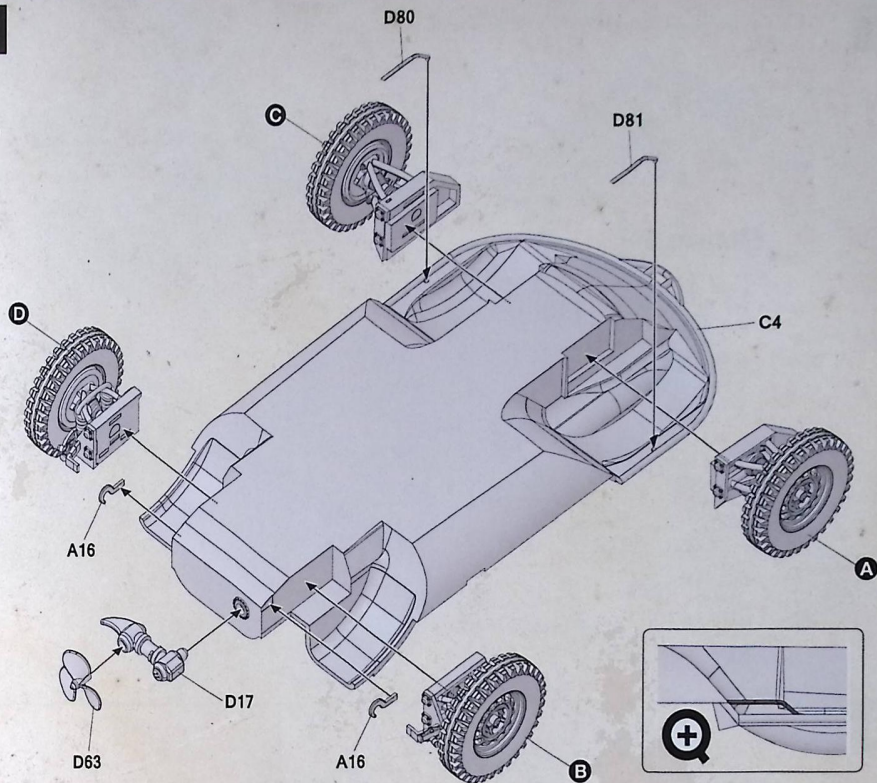
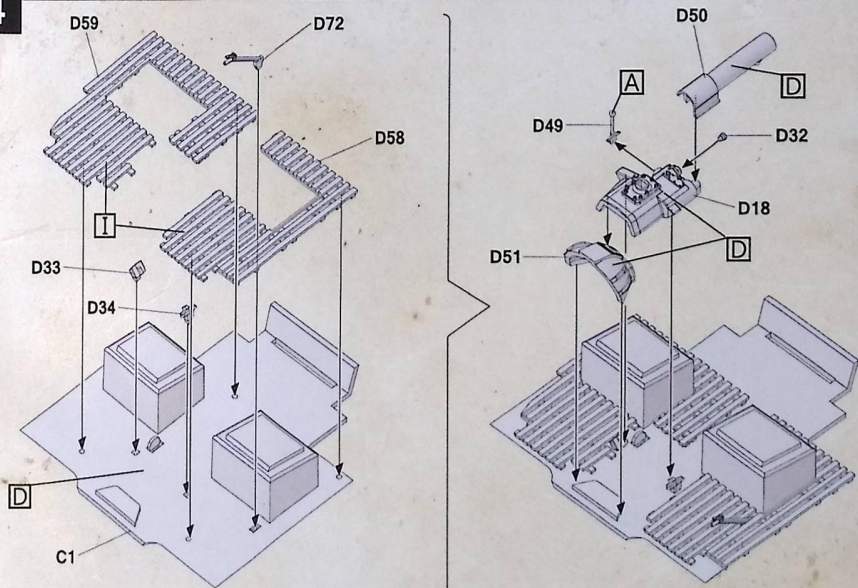




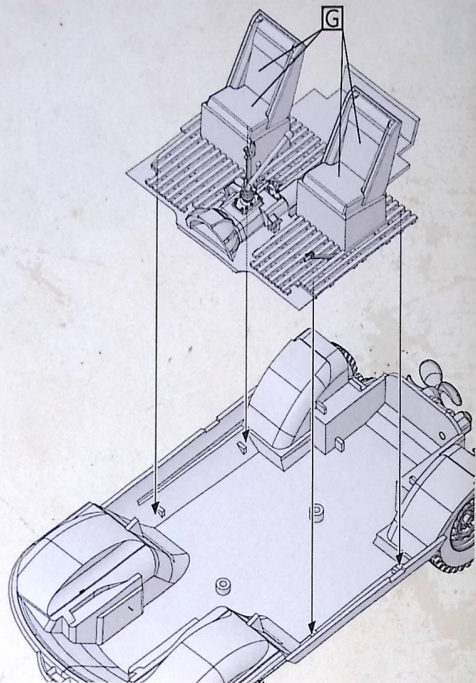
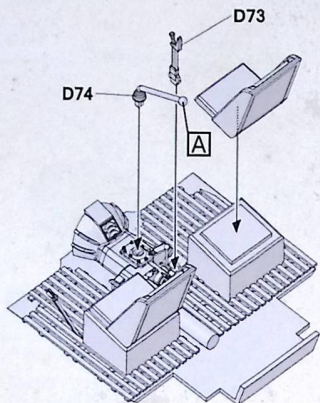
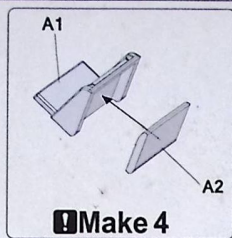
Make 4



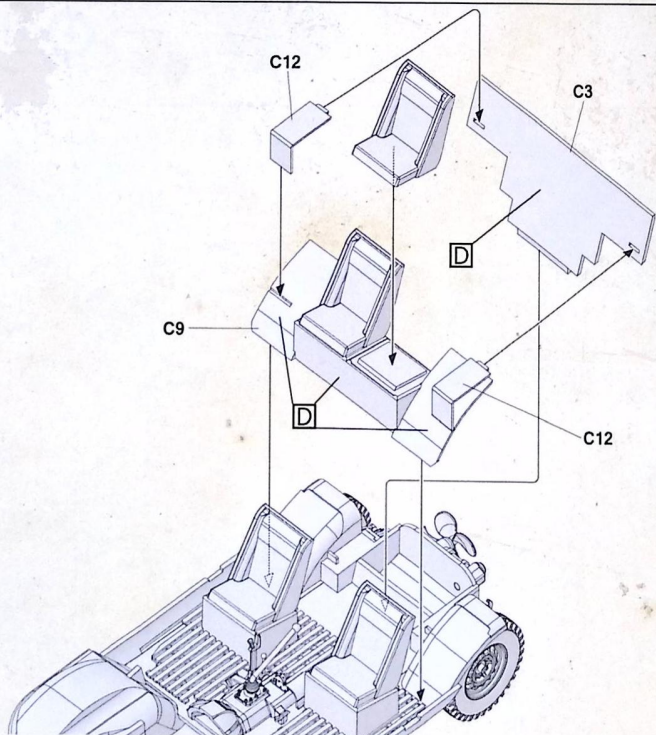


3**4****5**

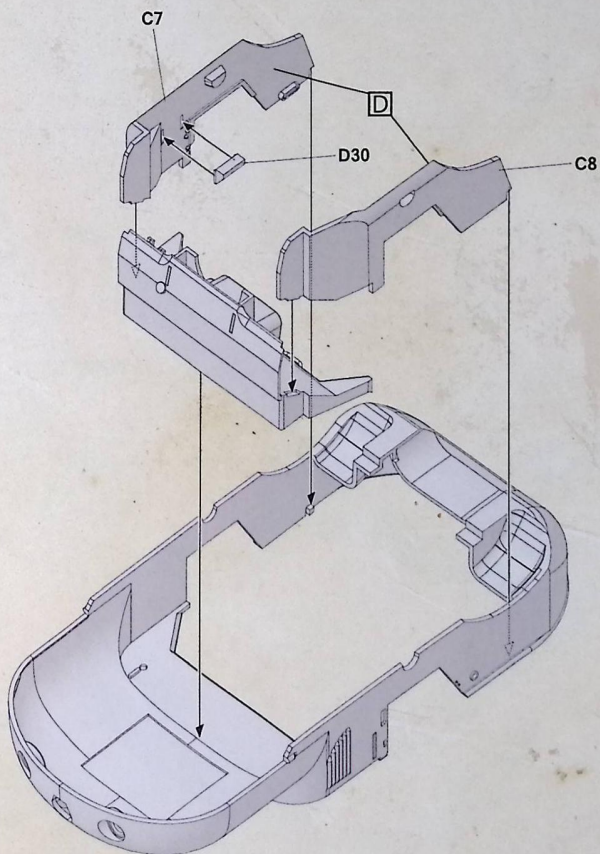
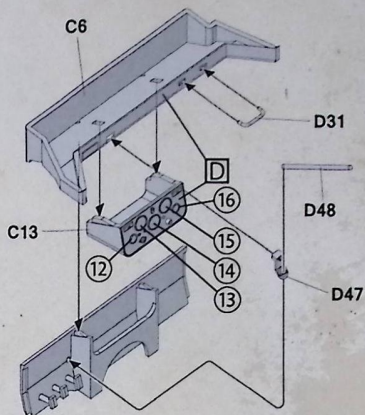
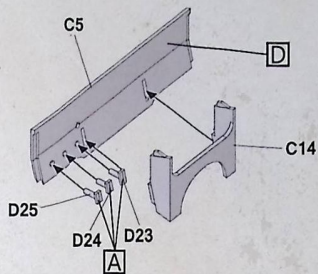
5



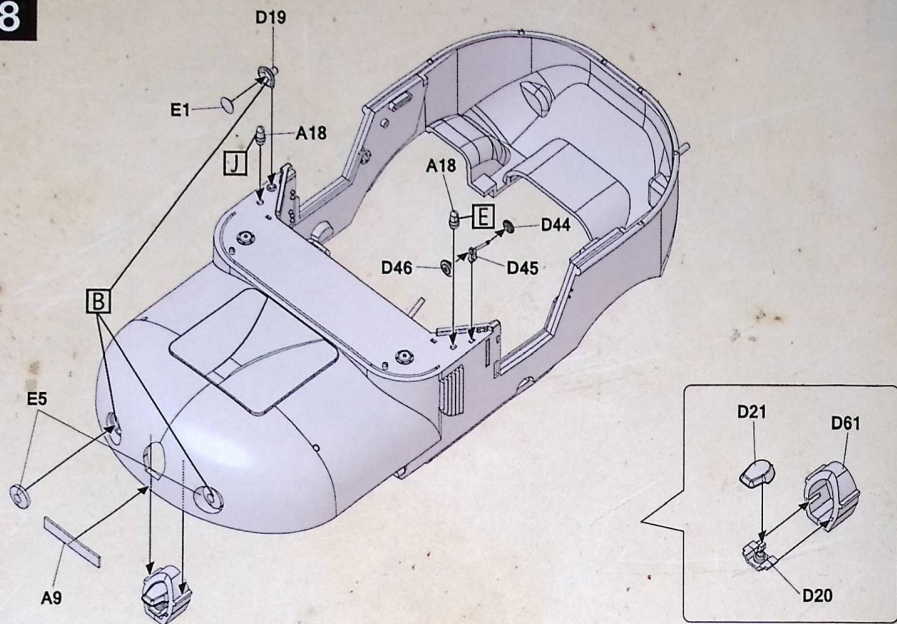
6



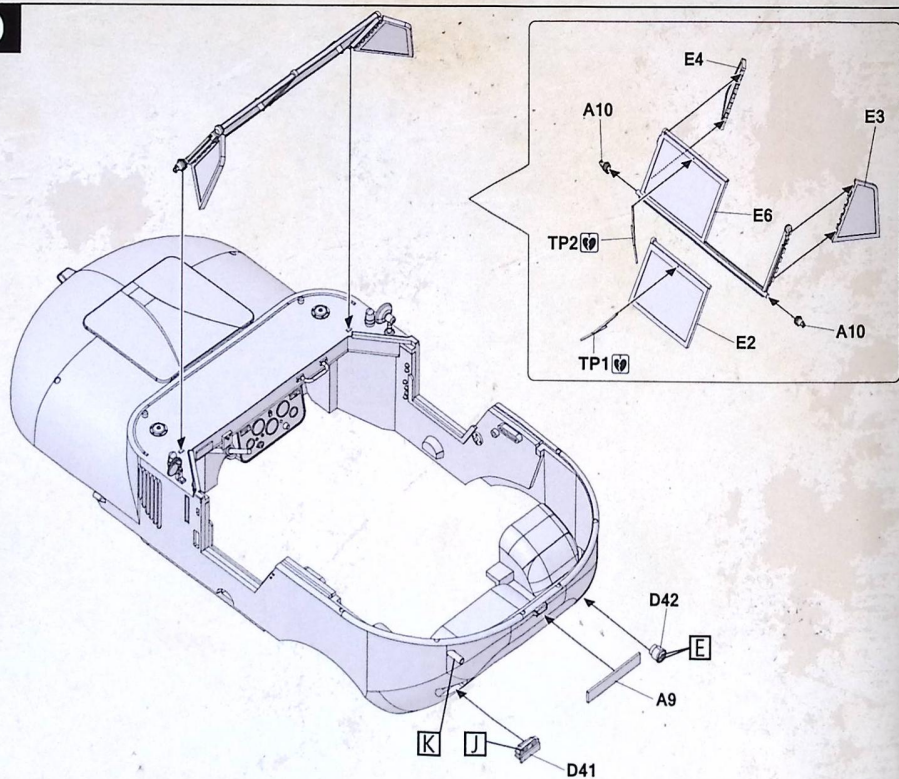
6



8

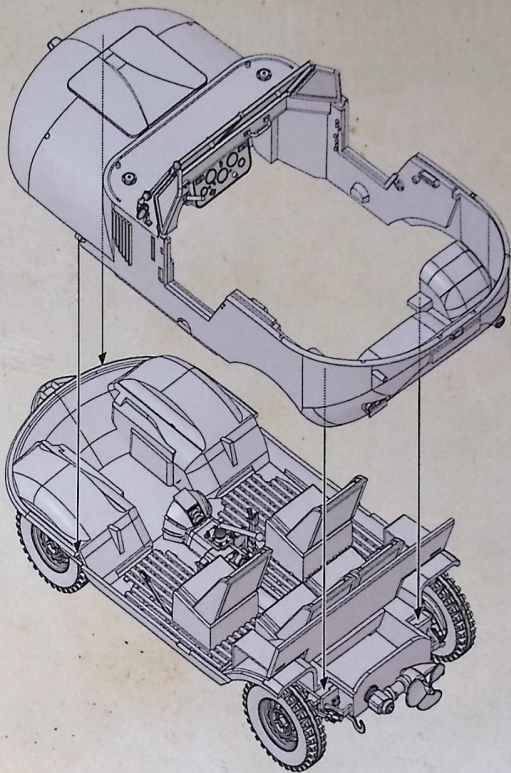


9

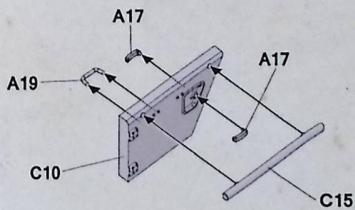
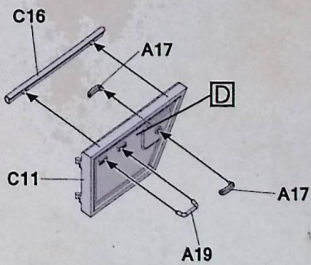
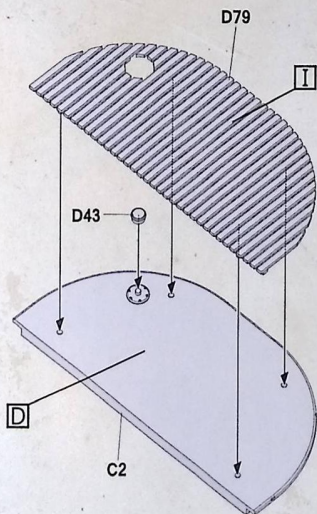


8

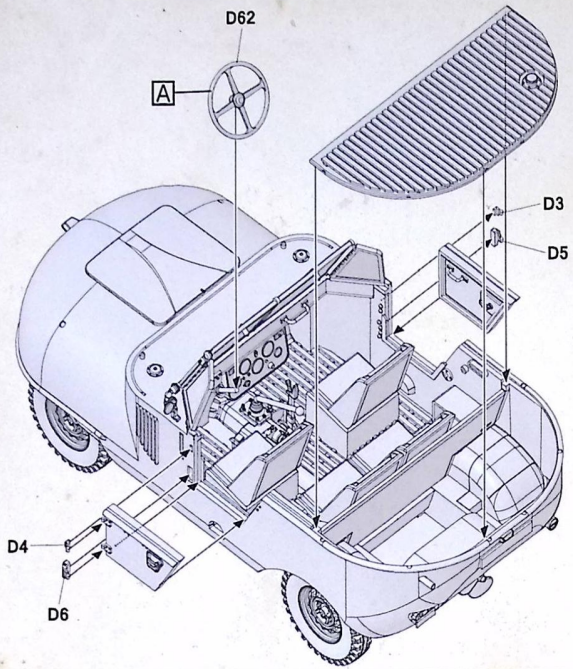
10



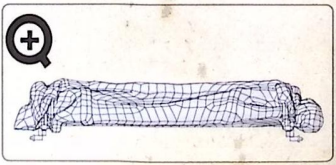
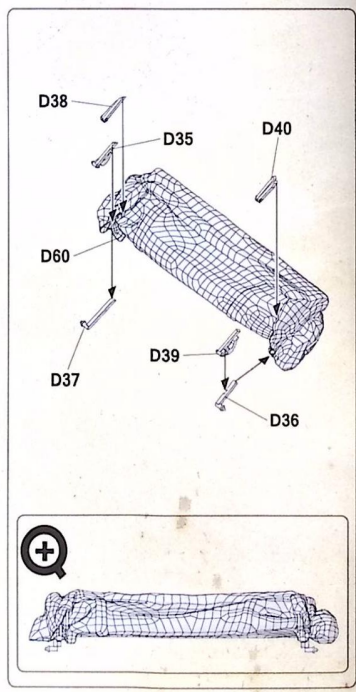
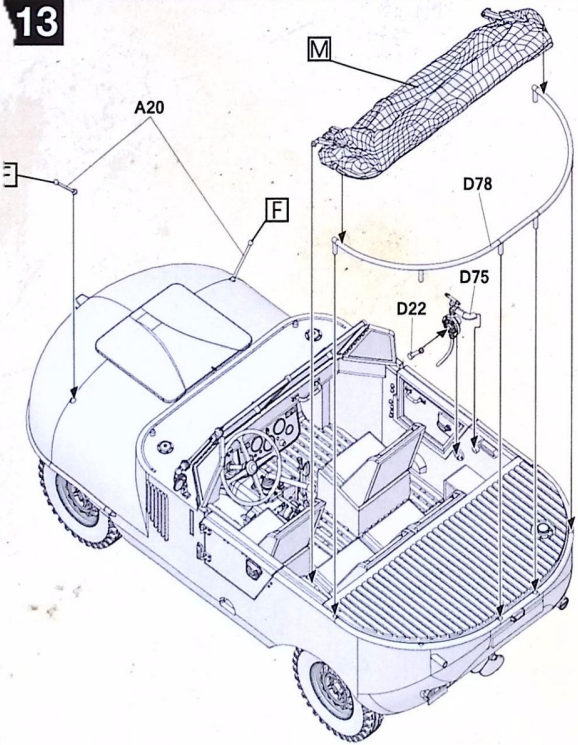
11



12

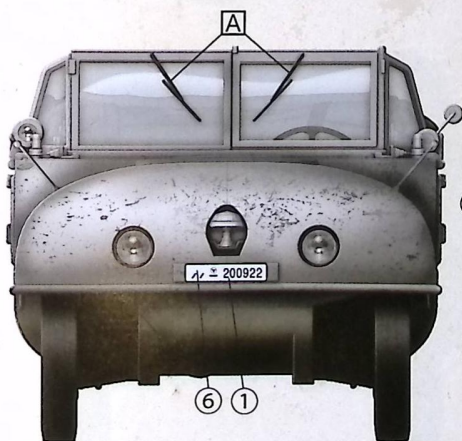
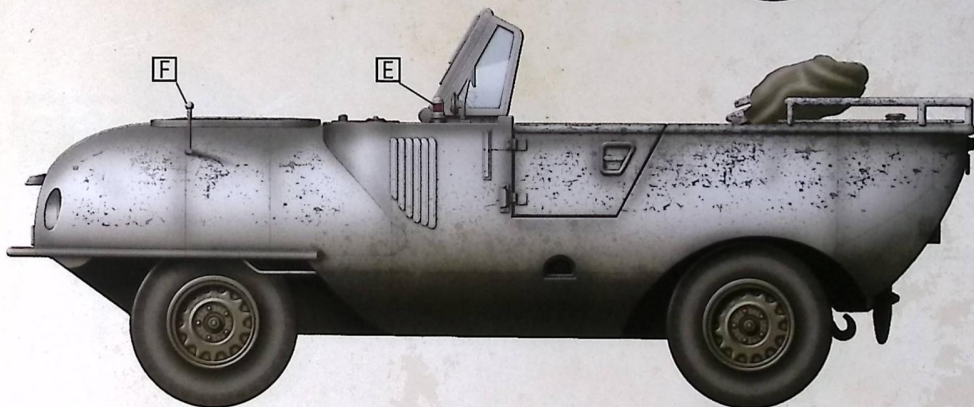
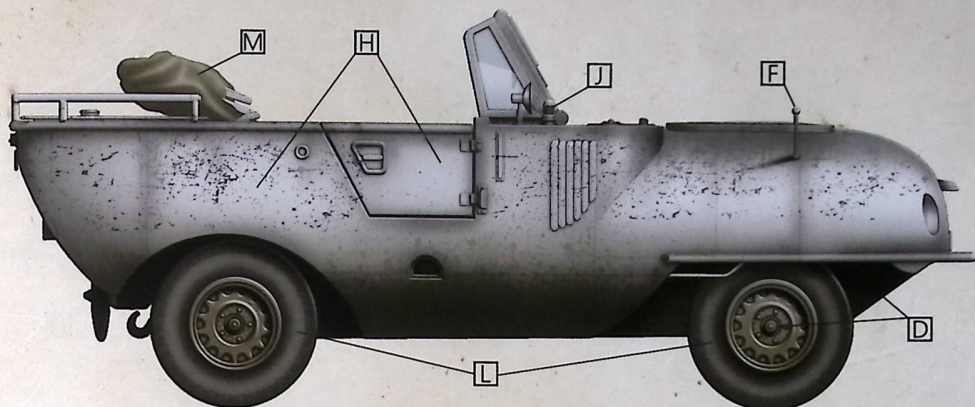


13



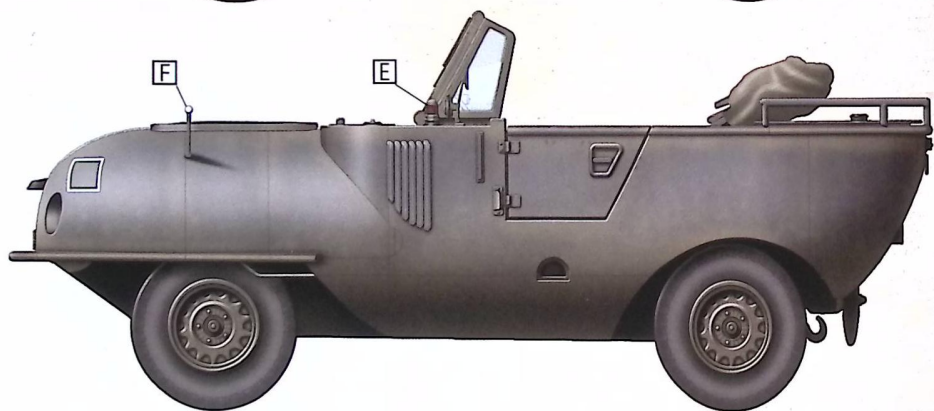
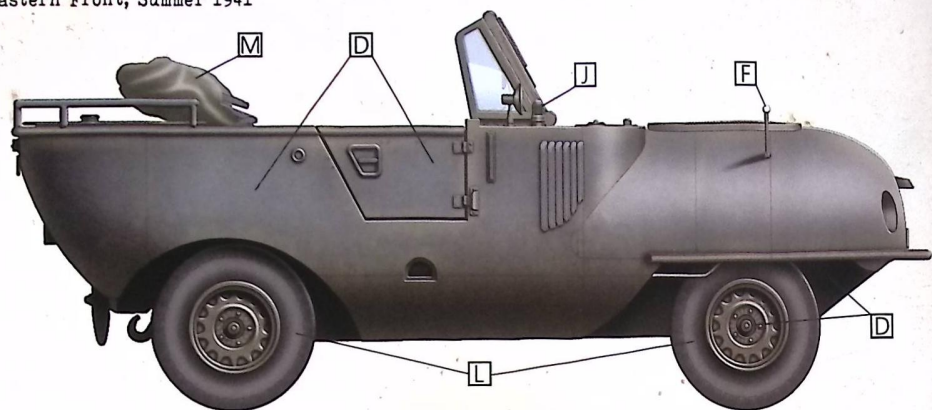
Painting and Marking Guide

Unknown Waffen SS Unit, Eastern front, Winter 1941/42



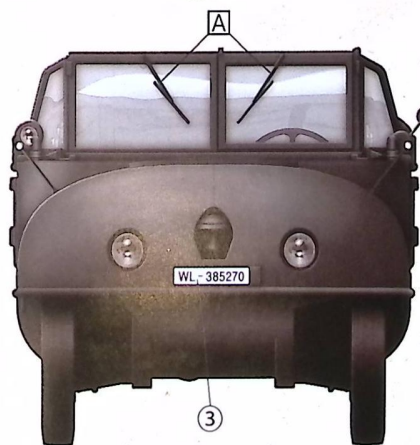
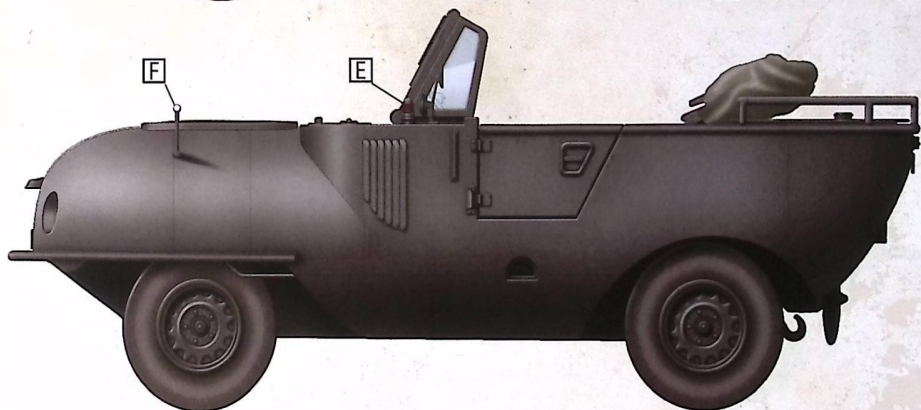
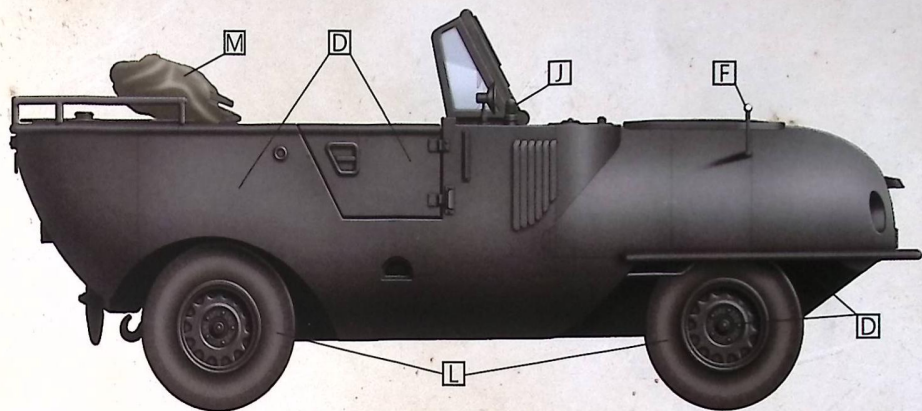
Painting and Marking Guide

3.Infanterie-Division (mot.) - Pionier-Batallion (mot.) 3
Eastern Front, Summer 1941



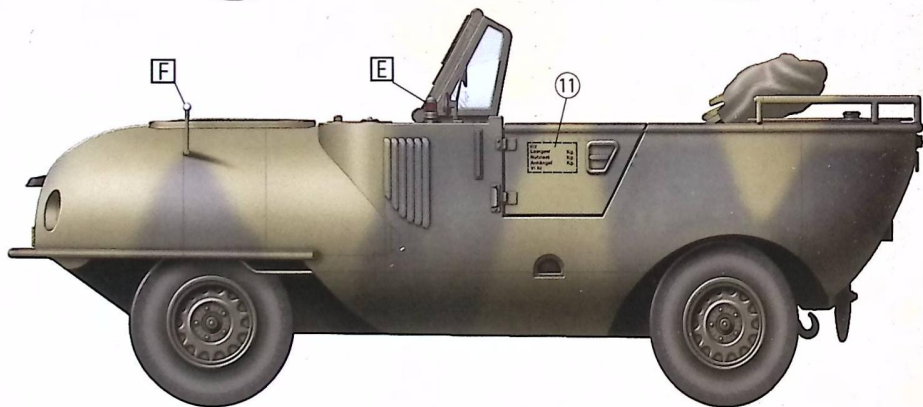
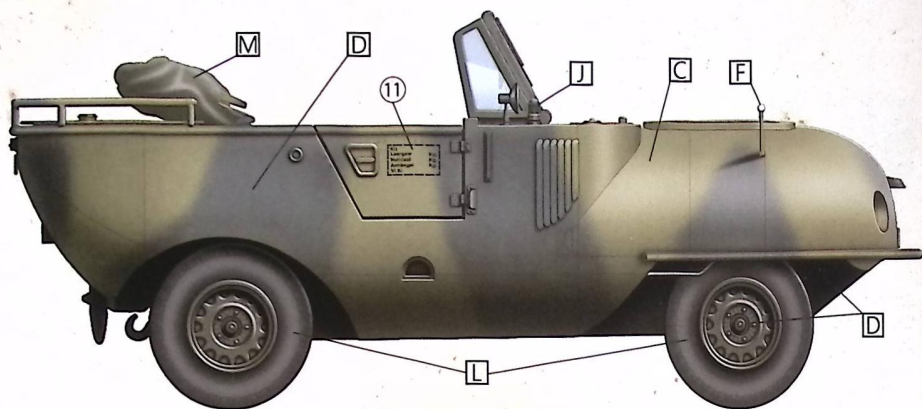
Painting and Marking Guide

Unknown Luftwaffen Unit, Luftgau-Kommando III, Pomerania area, May 1943



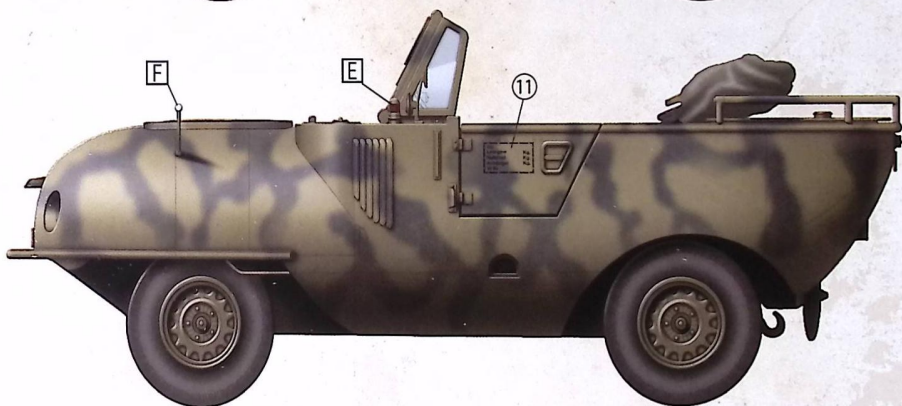
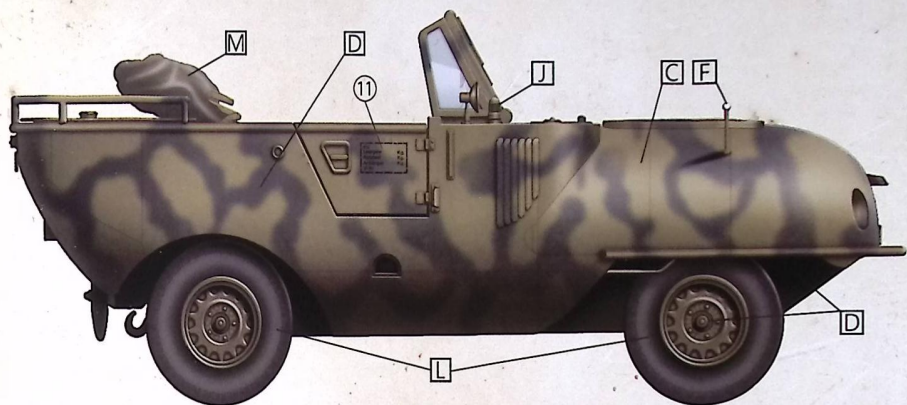
Painting and Marking Guide

Unknown SS Engineer Bataillon, Training Area France, July 1942



Painting and Marking Guide

Unknown SS Engineer Battalion, Russia, August 1942



Das Werk

Check out other great kits from us:



DW16002 - Panzer III Ausf.J (1:16 scale)



DW16003 - StuG III w/Winterketten (1:16)



DW35030 - Sd.Kfz.251/7 (1:35)



DW35029 - Sd.Kfz.250/1 neu (1:35 scale)



DW35037 - Sd.Kfz.7 w/Crew (1:35)



DW35034 - LARC-V Bundeswehr (1:35)