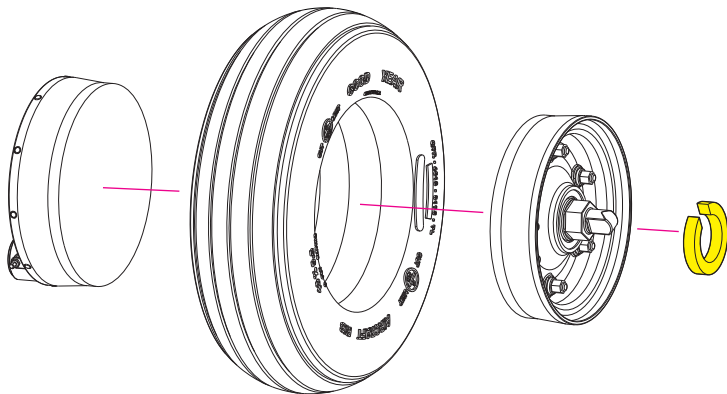




RESIN PARTS  
FOR SCALE PLASTIC KITS

## CH-46 SEA KNIGHT WHEELS SET

INSTRUCTION **RS48-193**



e-mail: [info@reskit.com.ua](mailto:info@reskit.com.ua)

[WWW.RESKIT.COM.UA](http://WWW.RESKIT.COM.UA)

 [www.fb.com/reskit.ukraine](http://www.fb.com/reskit.ukraine)

 [www.instagram.com/reskit\\_official](http://www.instagram.com/reskit_official)

 [www.pinterest.com/reskit\\_official](http://www.pinterest.com/reskit_official)