

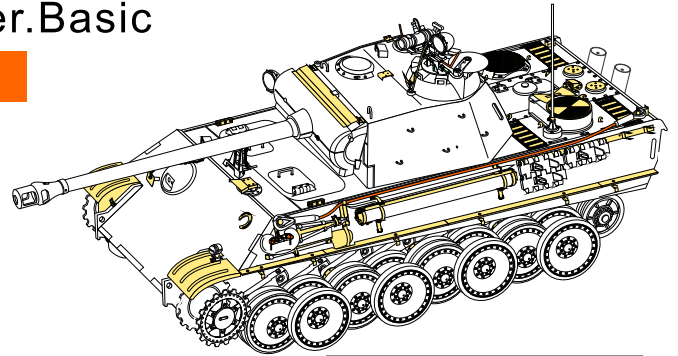
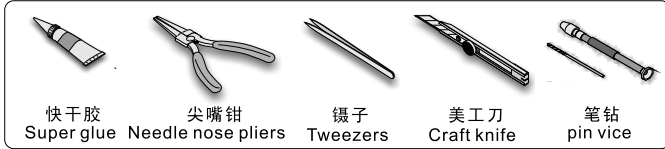
1/35 MILITARY MINIATURE VEHICLE UPGRADE SERIES PE35995


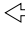






WWII German Panther G Later ver. Basic


二战德军黑豹G型坦克后期基本 改造件

[For TAKOM 2121]

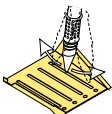
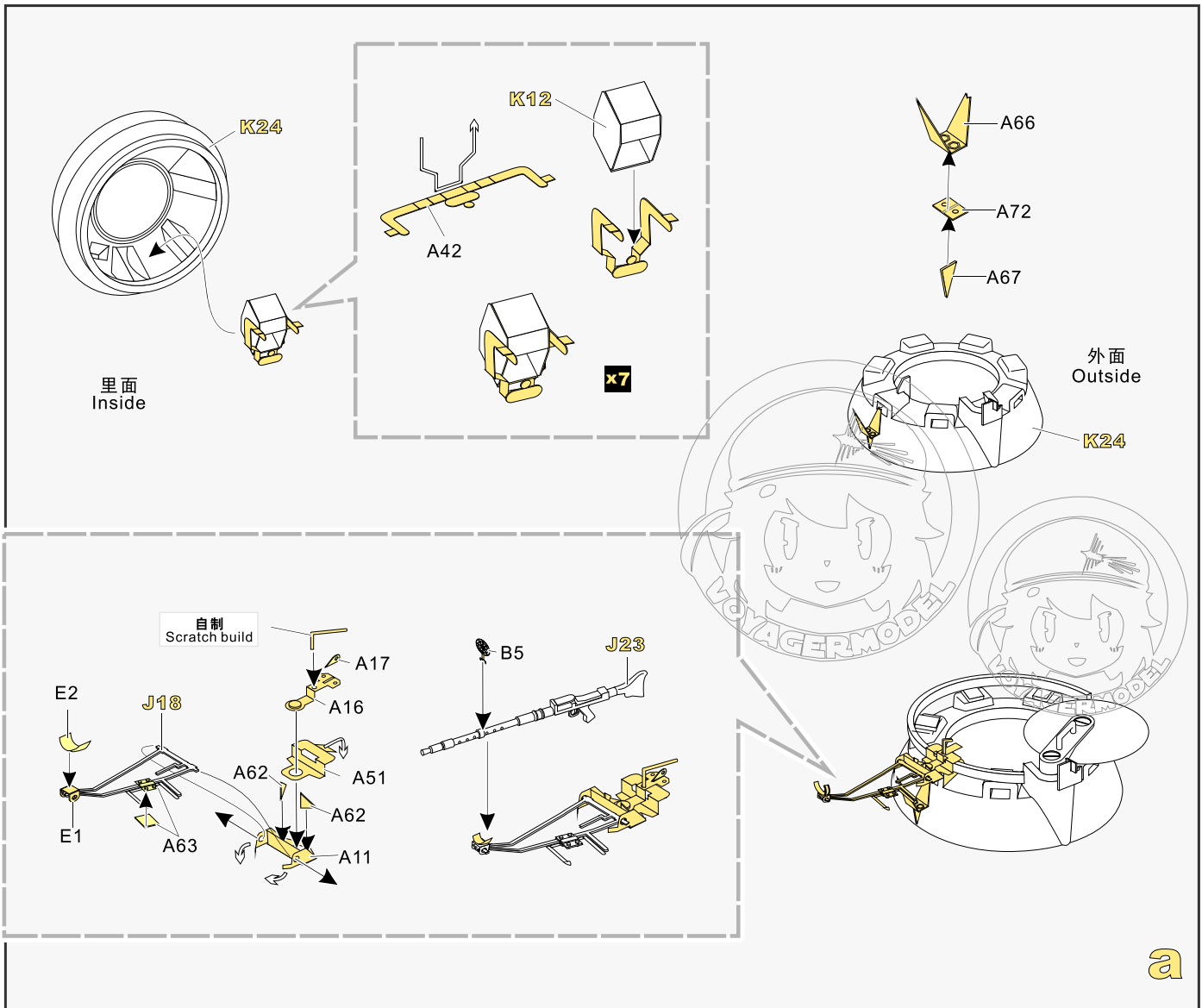
推荐使用工具 RECOMMENDED TOOLS



- 
安装
install
- 
折叠
bend
- A1**
改造件零件编号
PE/resin part number
- B12**
原零件编号
kit part number
- C22**
被替换的原零件编号
replaced kit part number
- 
钻孔
drill
- 
切除
remove
- 
打磨
grind off
- 
弧度卷曲
radial bending
- x2**
制作若干组
multiple assembly
- 
选择安装
alternative
- 
另一侧相同制作
repeat on opposite side

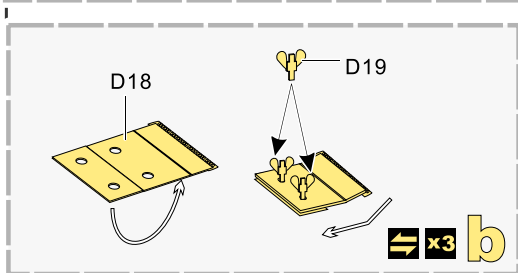
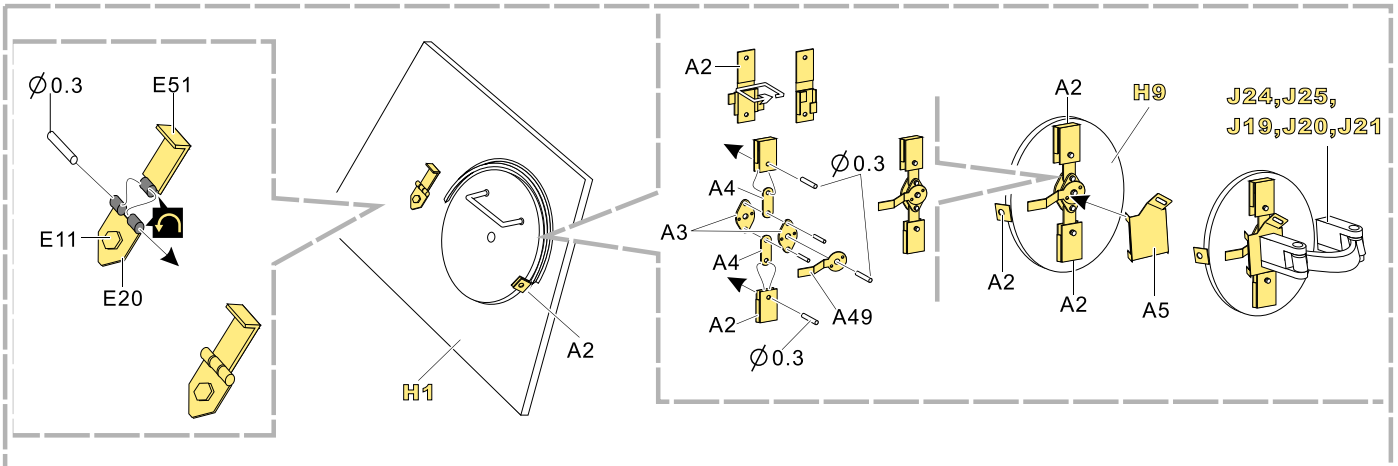

 用尖端在凹槽处冲压
 use penpoint to press on the dent

蚀刻片零件内侧面向上
 Put the part upside down
 用笔尖在凹槽处刻
 Use penpoint to press on the dent

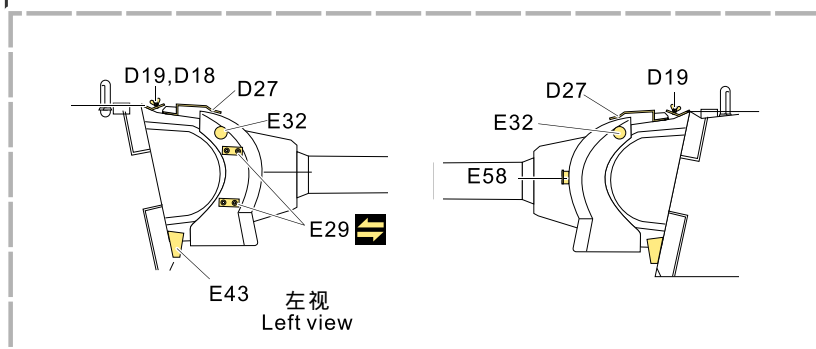
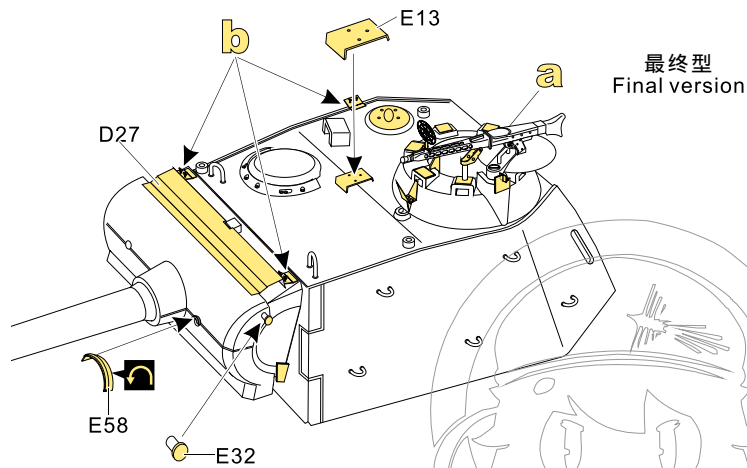
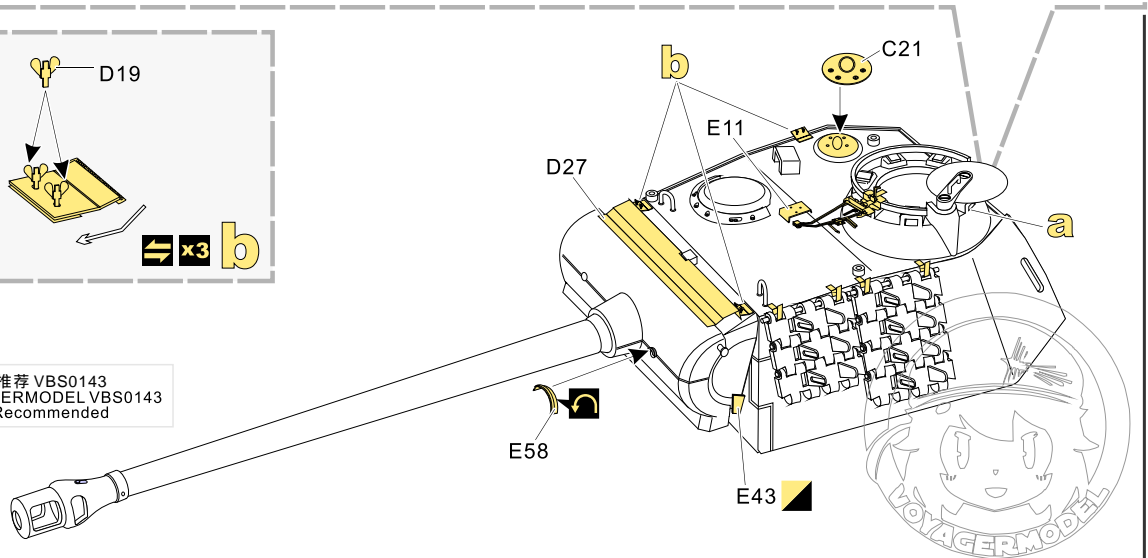



a

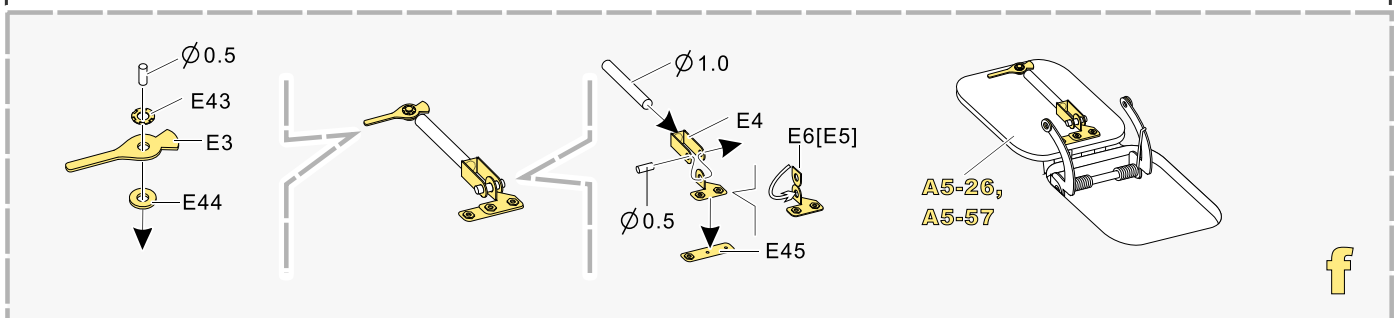
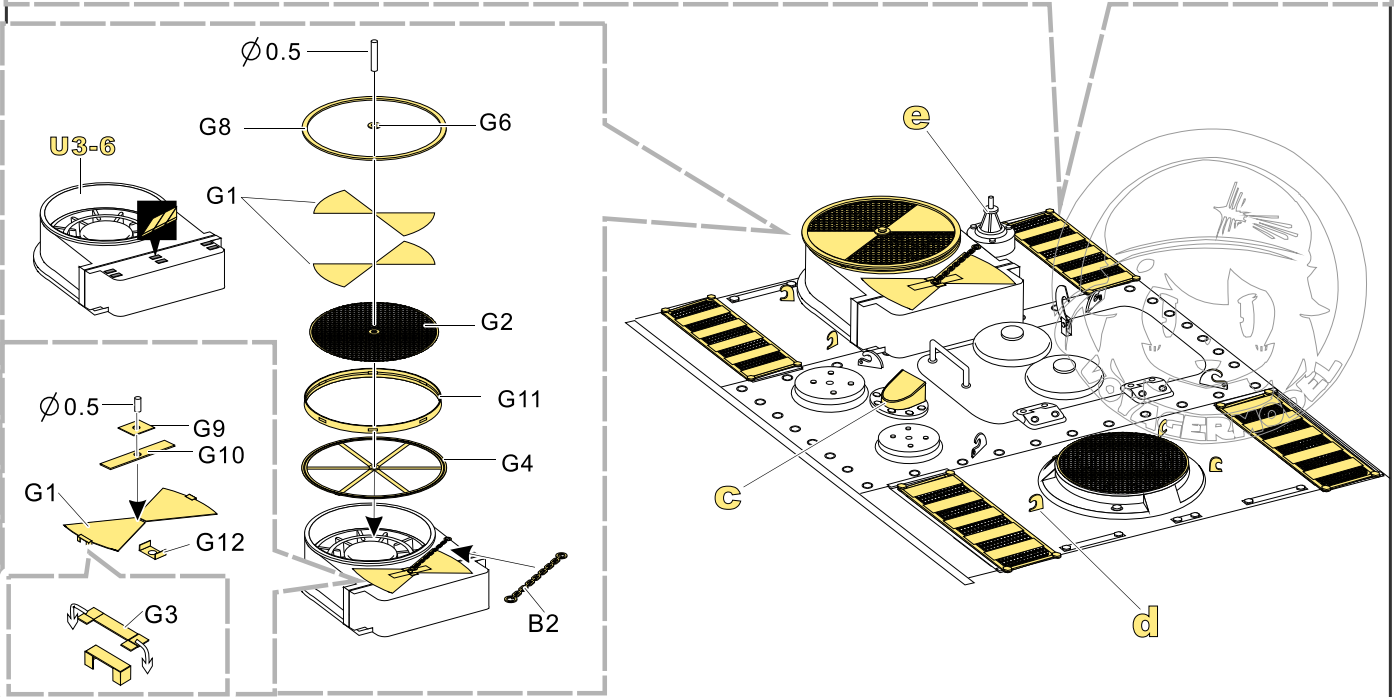
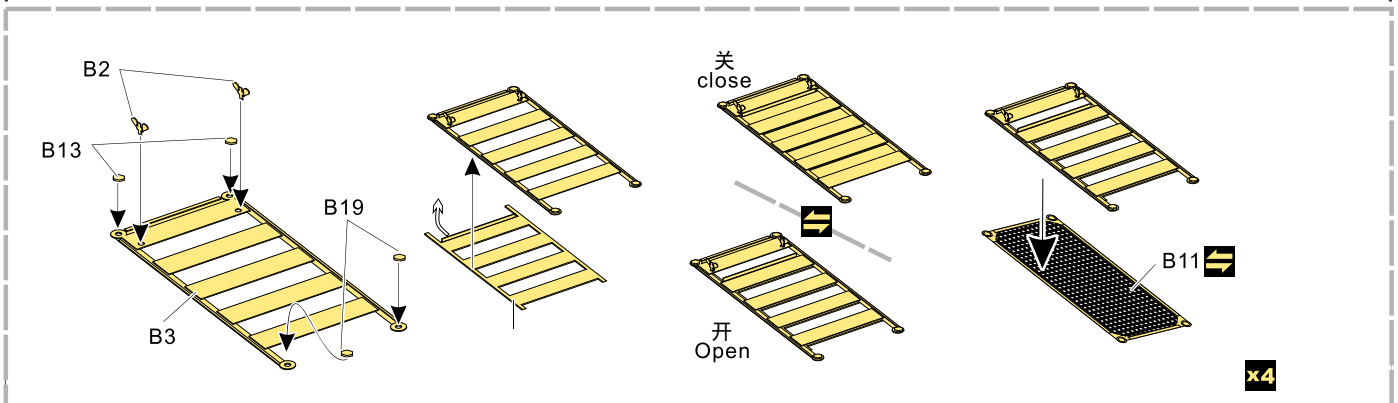
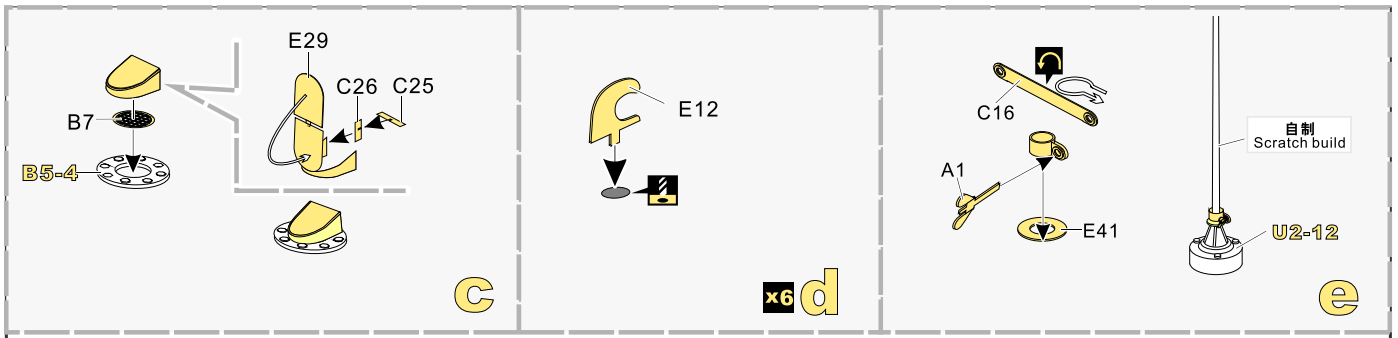
1/35 MILITARY MINIATURE VEHICLE UPGRADE SERIES PE35995



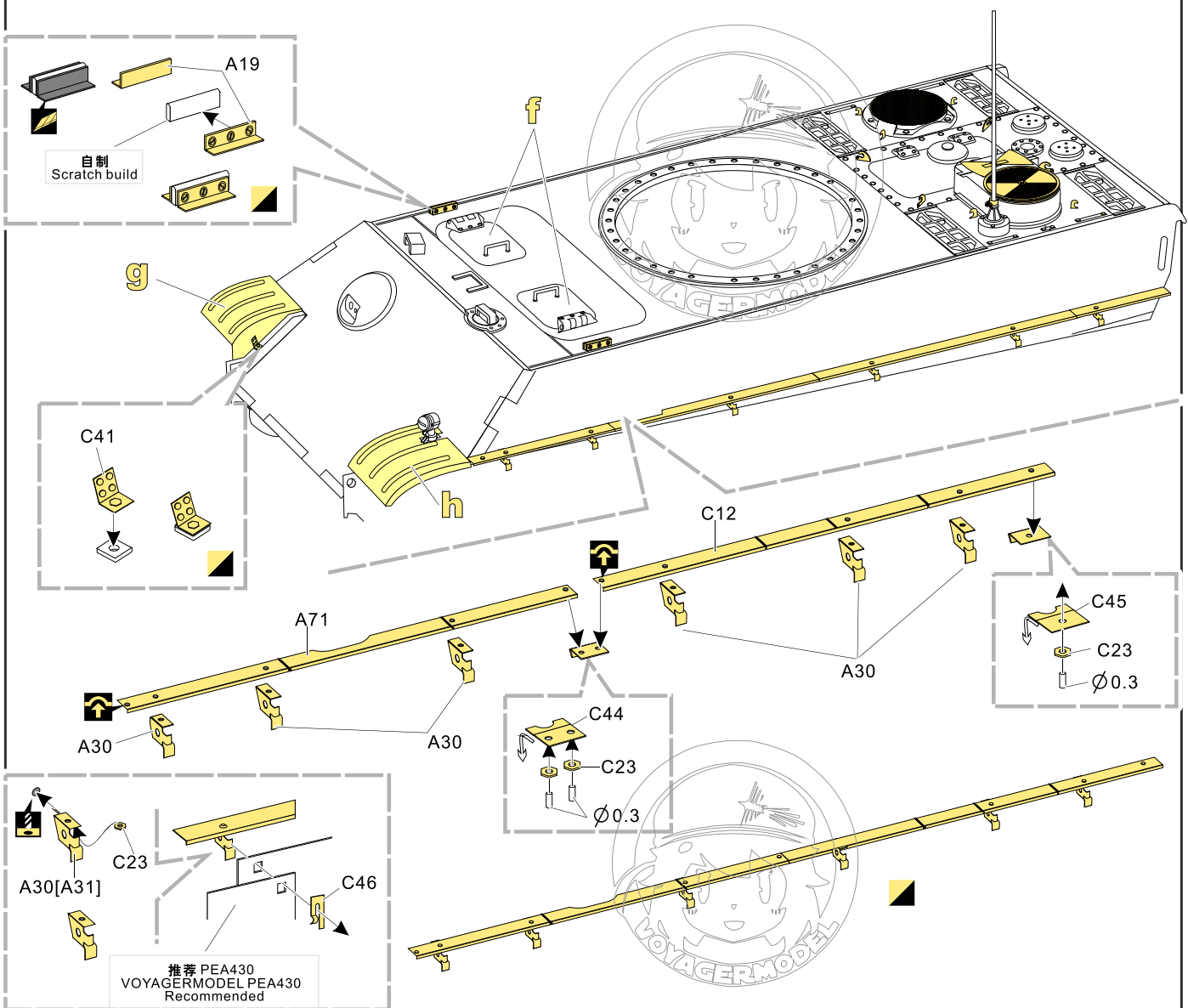
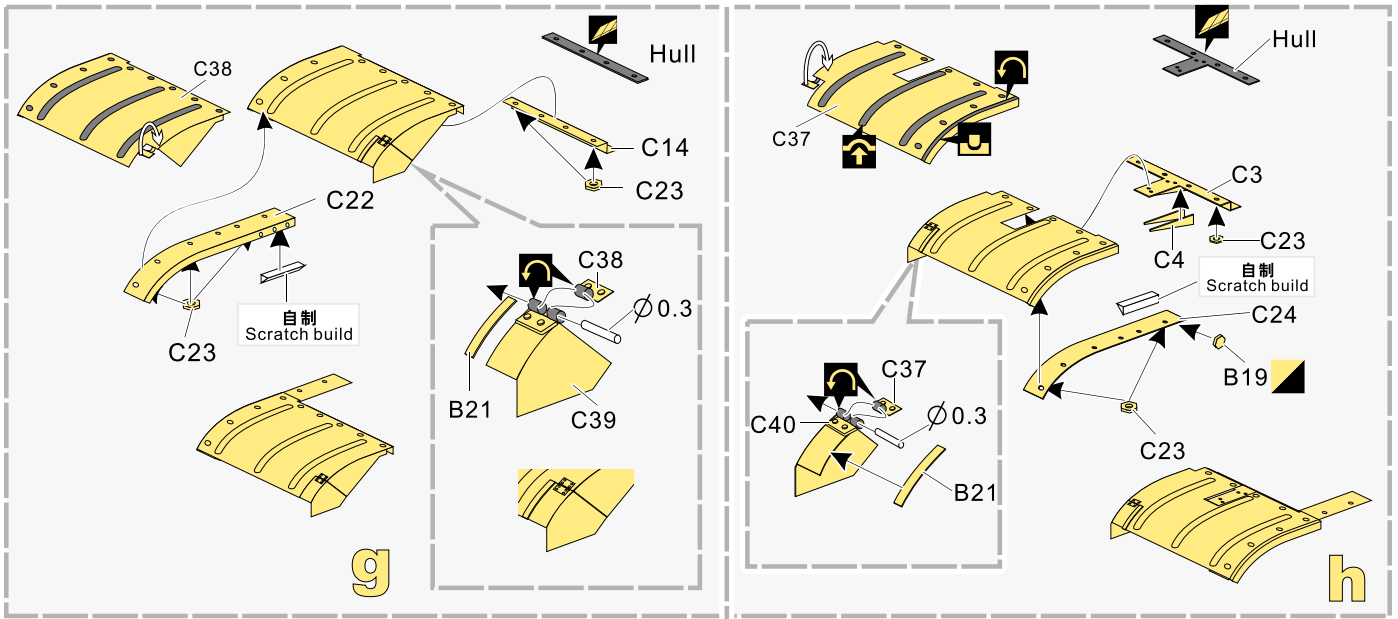
推荐 VBS0143
VOYAGERMODEL VBS0143
Recommended



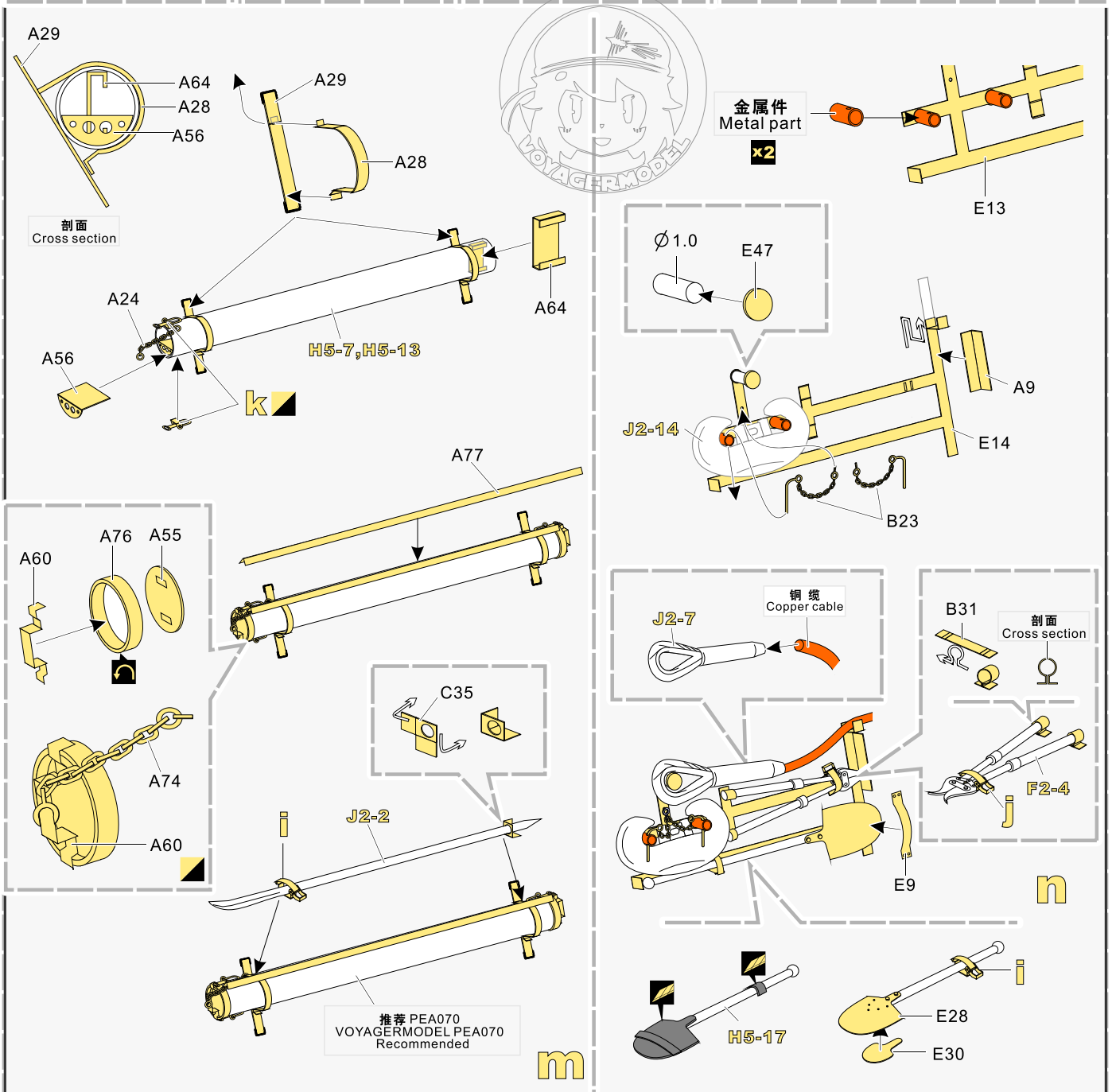
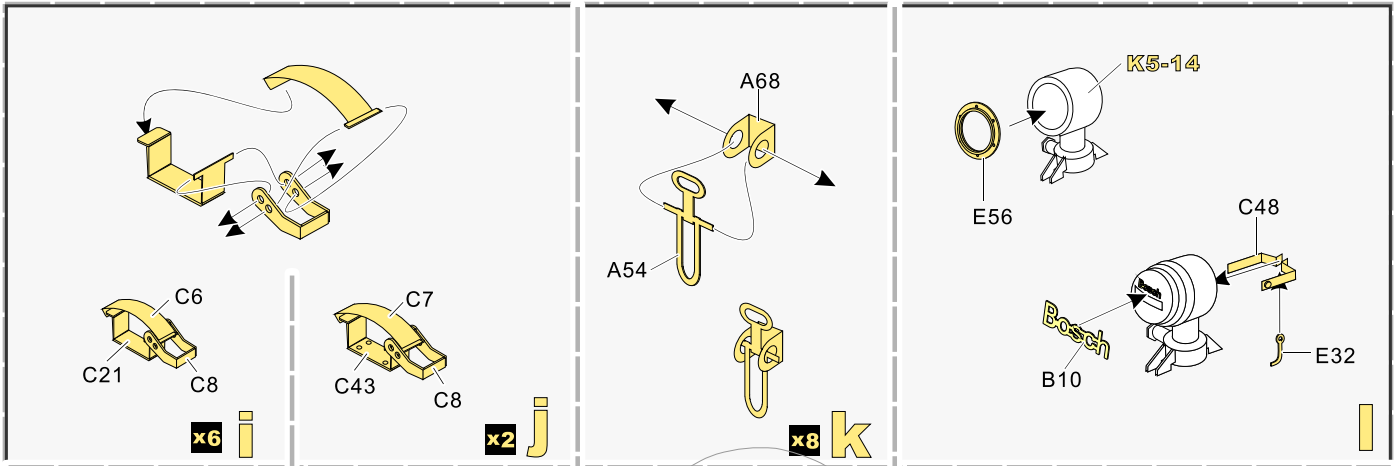
1/35 MILITARY MINIATURE VEHICLE UPGRADE SERIES PE35995



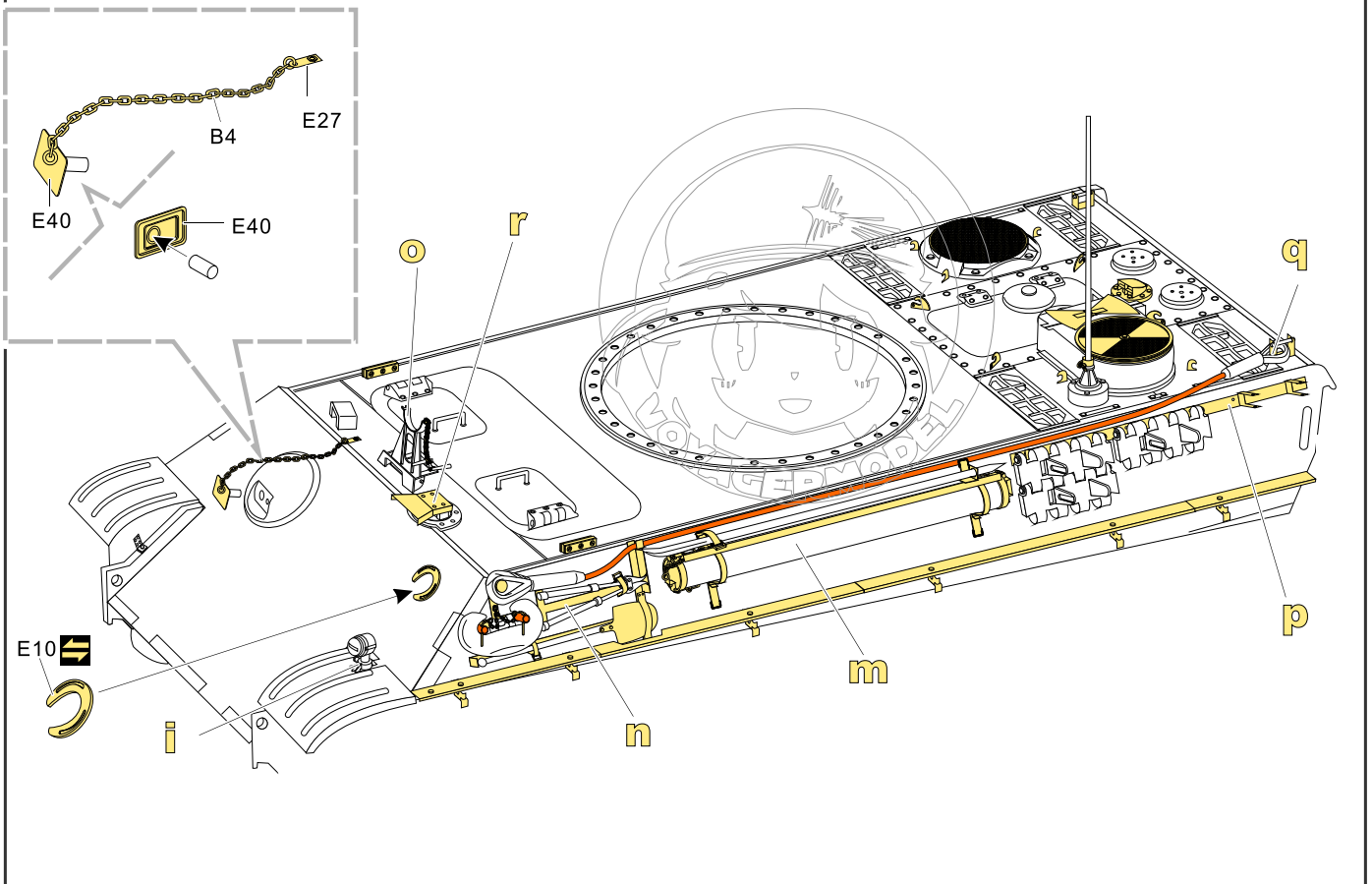
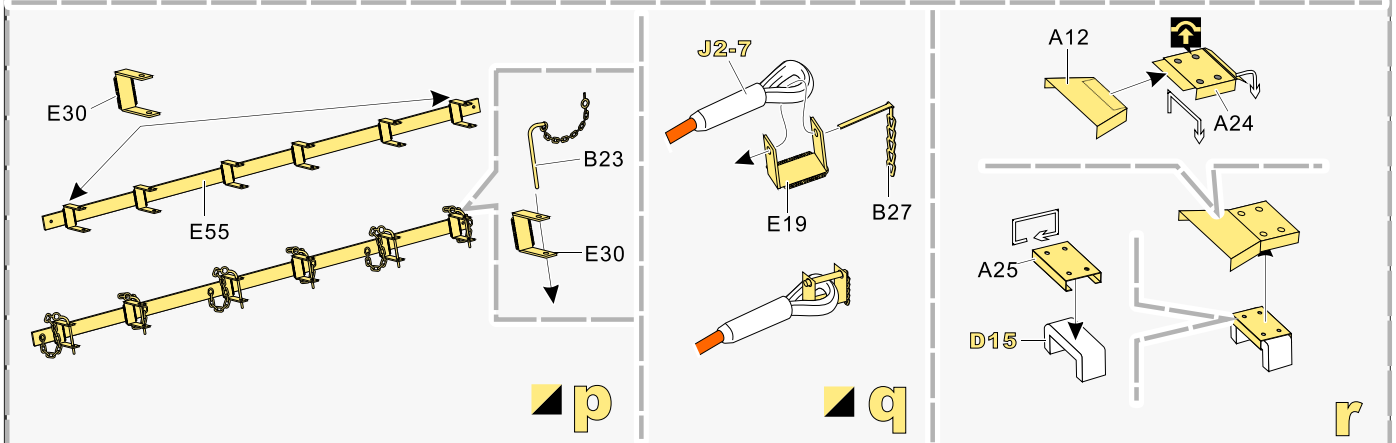
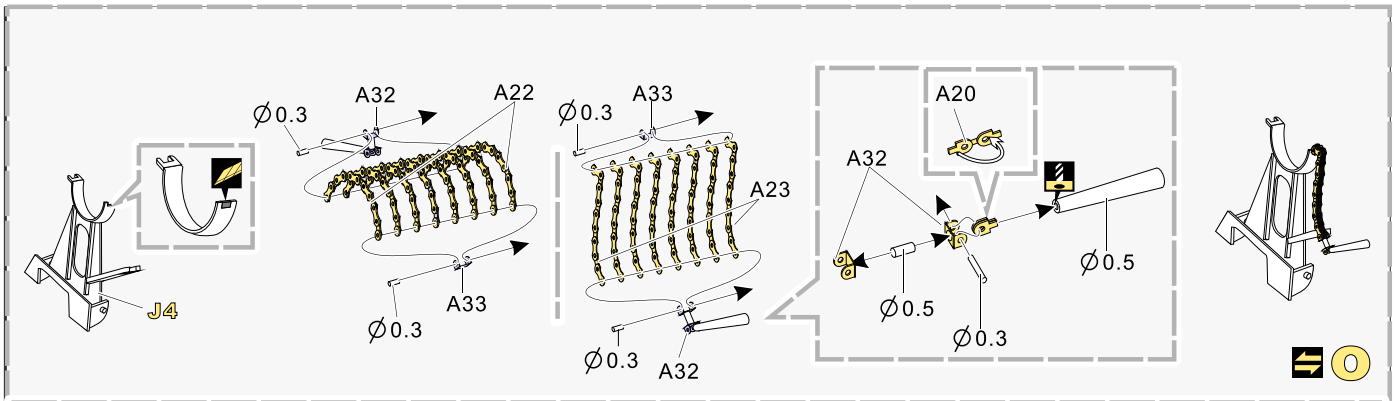
1/35 MILITARY MINIATURE VEHICLE UPGRADE SERIES PE35995



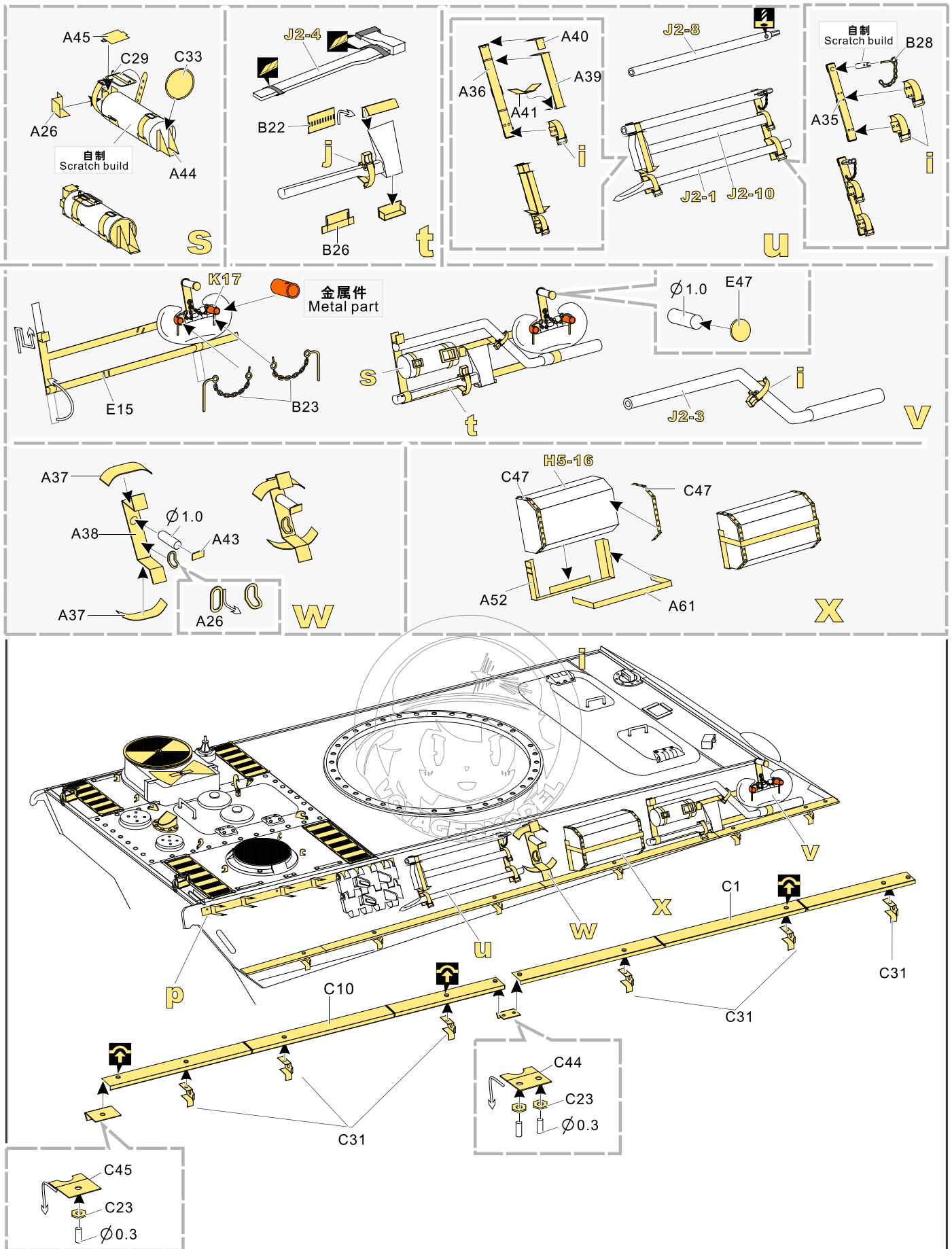
1/35 MILITARY MINIATURE VEHICLE UPGRADE SERIES PE35995



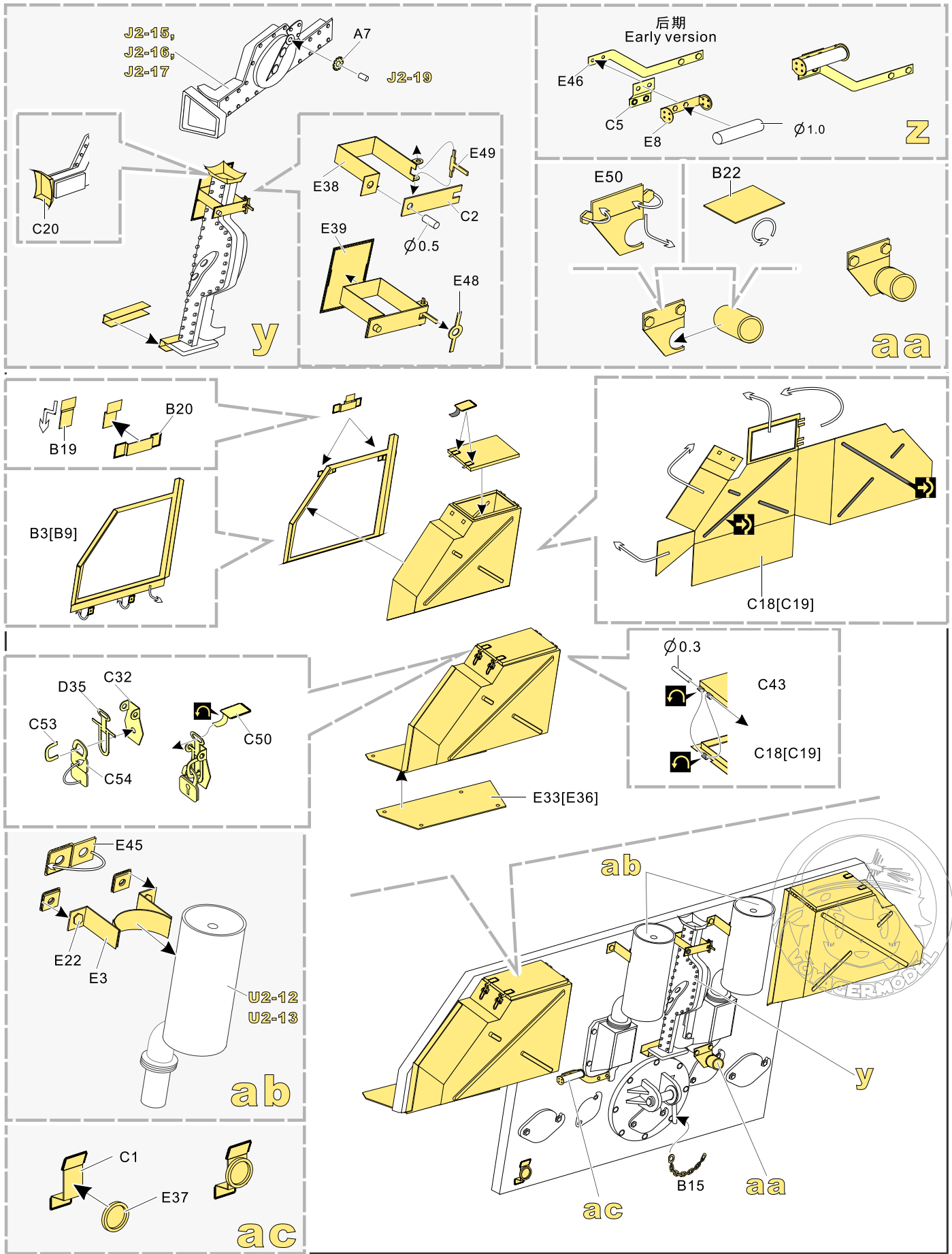
1/35 MILITARY MINIATURE VEHICLE UPGRADE SERIES PE35995



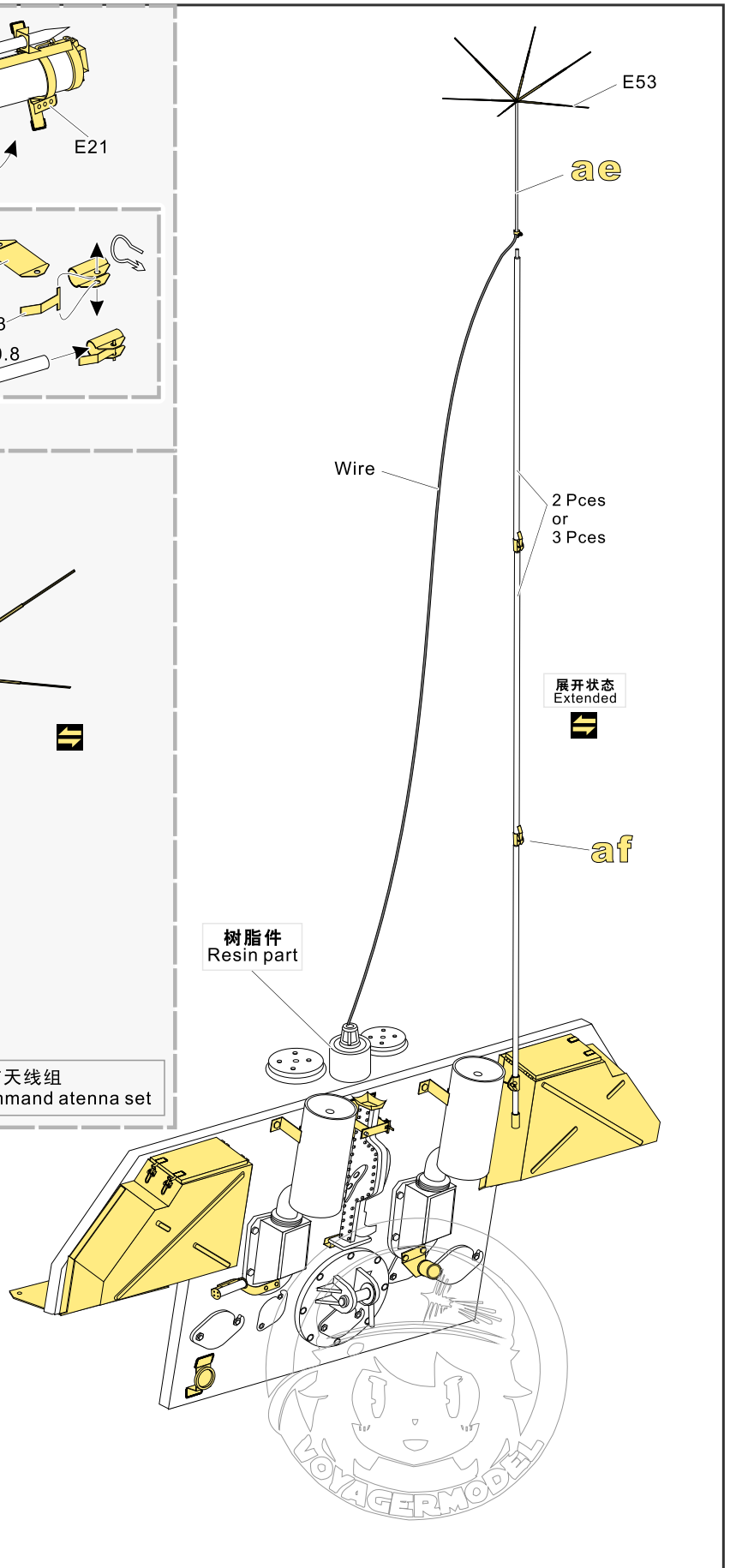
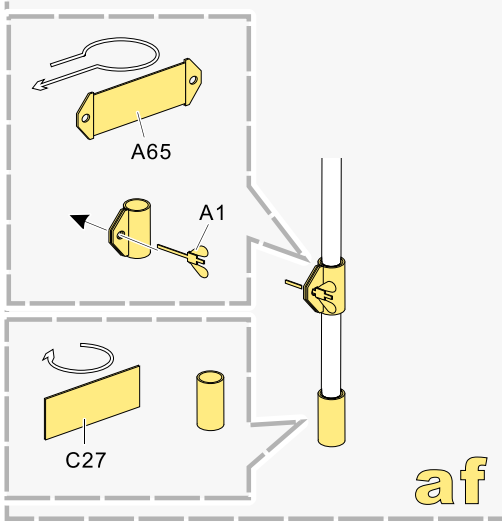
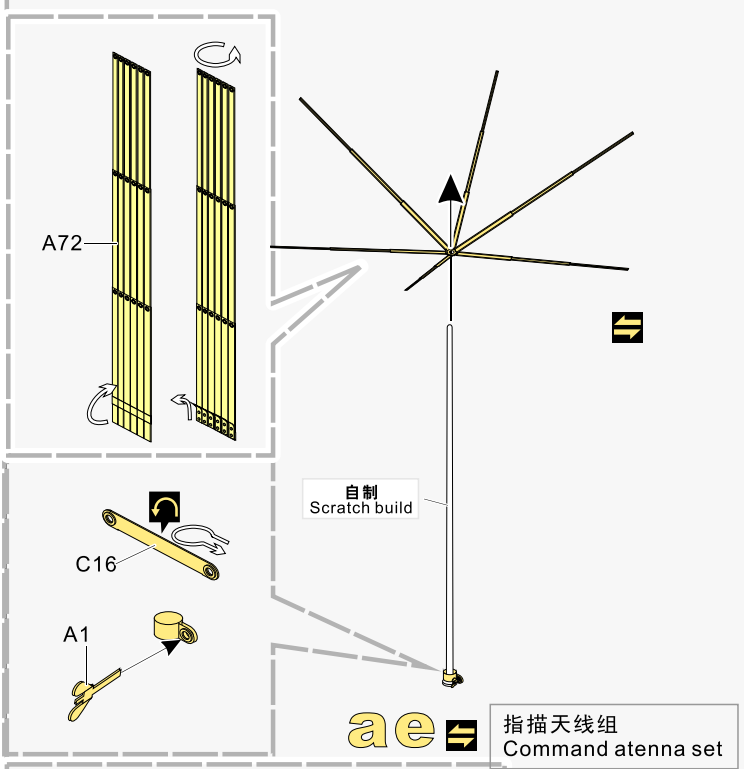
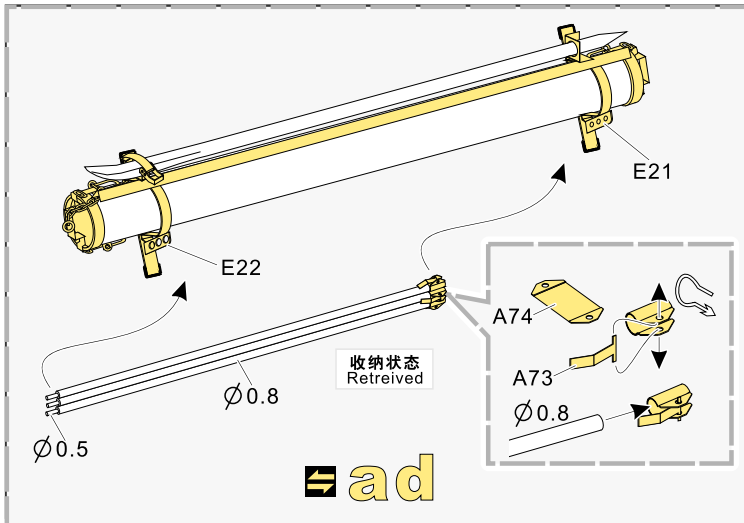
1/35 MILITARY MINIATURE VEHICLE UPGRADE SERIES PE35995



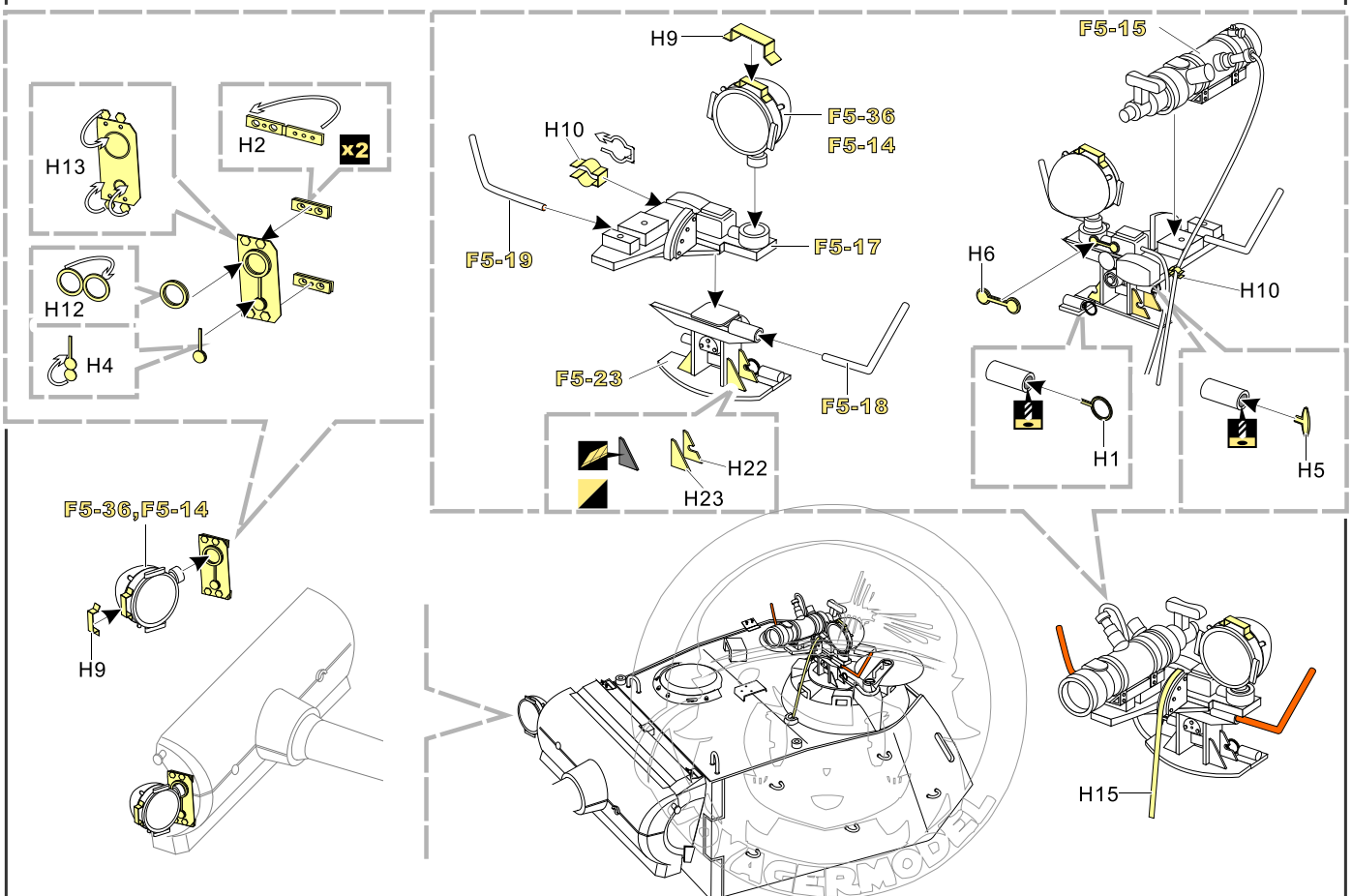
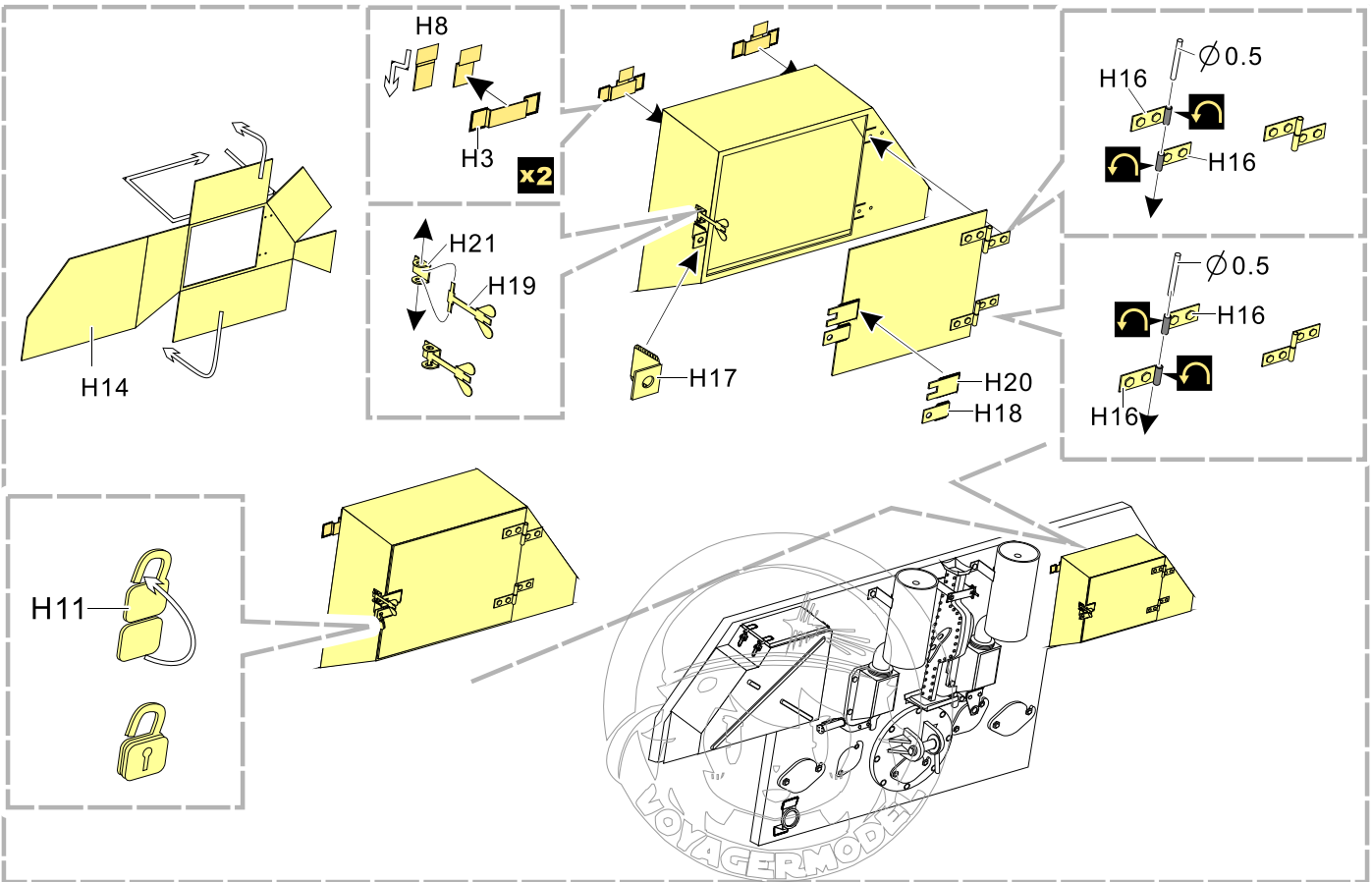
1/35 MILITARY MINIATURE VEHICLE UPGRADE SERIES PE35995



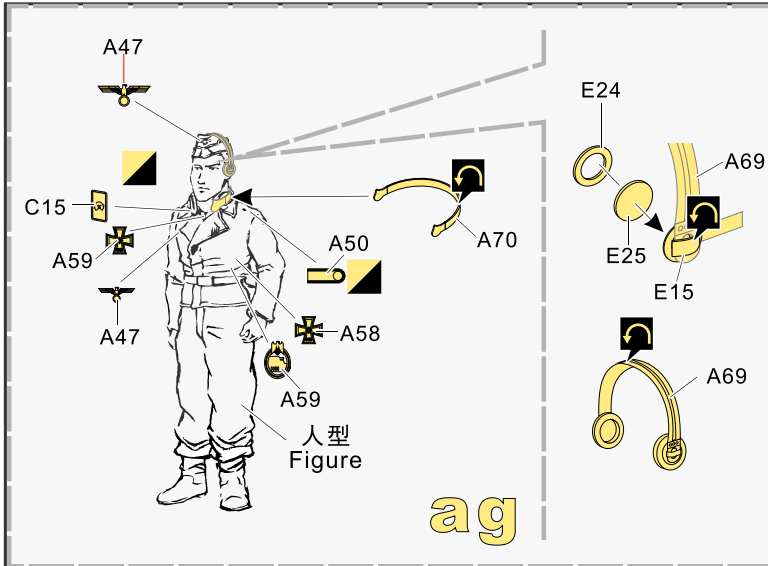
1/35 MILITARY MINIATURE VEHICLE UPGRADE SERIES PE35995



1/35 MILITARY MINIATURE VEHICLE UPGRADE SERIES PE35995



1/35 MILITARY MINIATURE VEHICLE UPGRADE SERIES PE35995



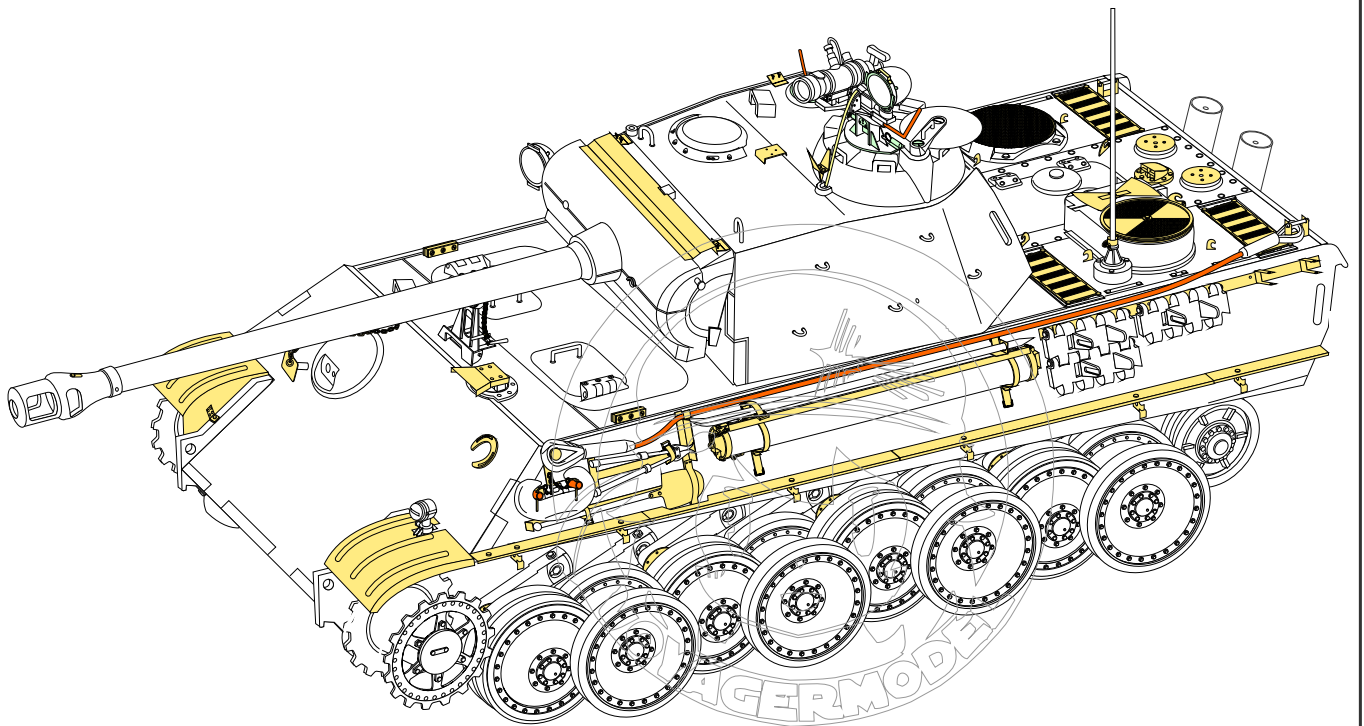
[Http://www.voyagermodel.com/productdetails.asp?itemid=PE35995](http://www.voyagermodel.com/productdetails.asp?itemid=PE35995)



**VOYAGER
MODEL**



更多PE35995样品照片参考请扫一扫
MORE PICTUER OF PE 35995
REFERENCE SCAN HERE



VOYAGERMODEL® 无微不至 极致享受
The Best Upgrade Solution

Recommended item

PE 35960	WWII German Bergepanther Ausf. G Basic
PE 35997	WWII German FlaKPanzer V COELIAN Basic
PE 35995	WWII German Panther G Later ver. Basic
PE 35996	WWII Jagdpanther G2 Version Basic Upgrade set
PE 35939	WWII Jagdpanther G1 Version Basic Upgrade set
PE 35979	WWII German Bergepanther Ausf. D (Early type, Panther A tool holders) Basic
PE 35980	WWII German Bergepanther Ausf. D (Late type, Panther G tool holders) Basic
PE 35983	WWII German Panther D Tank Late version Basic
PEA 430	WWII German Panther G Schurzen
PE A 437	WWII German Panther G/Jagdpanther G2 AntiAircraft Armor Patten1
PE A 438	WWII German Panther A/G Pz. Rgt. 26 Anti Aircraft Armor
PE A 439	WWII German Panther G Infra Red FG1250&FG1253
VBS 0532	WWII German KwK42 L/70 Gun Barrel for Panther A/G
VBS 0533	WWII German KwK42 L/70 Gun Barrel for Panther D

VOYAGERMODEL® 无微不至 极致享受
The Best Upgrade Solution

Recommended item

PEA 070	WWII German Panther/Jagdpanther Cleaning rod bin
PEA 270	WWII German Panther A/G/F, JagdPanzer Demaged Road wheels
PE 35772	WWII German Panther A Early ver. Basic DRAGON
PE 35797	WWII German Panther G Early ver. Basic TAMIYA
PE 35796	WWII German Panther D Basic TAMIYA
PE 35733	WWII German Panther D Basic ZERZDA
PE 35741	WWII German Panther D Basic ICM
PE 35773	WWII German Pz. Beob. Wg. V Ausf. D Basic DRAGON
PE 35883	WWII German Panther G Later ver. Basic DRAGON
PE 35882	WWII German Panther G Early ver. Basic DRAGON