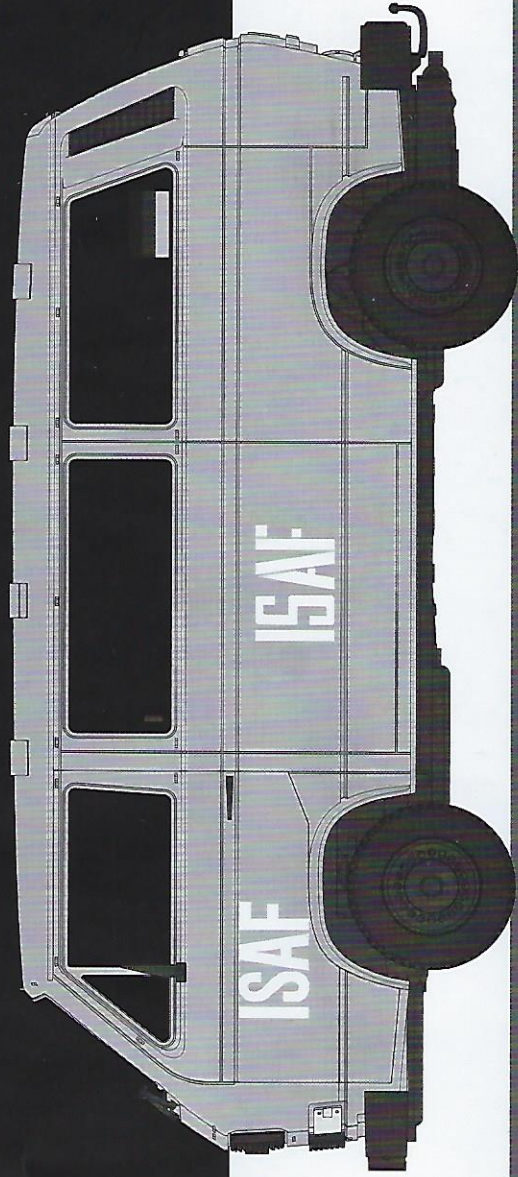


Bundeswehr
T3 TRANSPORTER BUS



READ BEFORE ASSEMBLY

CAUTION

- Read carefully and fully understand the instructions before commencing assembly. A supervising adult should also read the instructions if a child assembles the model.
- When assembling this kit, tools including knives used. Extra care should be taken to avoid personal injury.
- Keep out of reach of small children. Children must not be allowed to suck any part, or pull vinyl bag over their heads.



Optional



Painting



Be Careful



Do Not Cement



Apply Decal



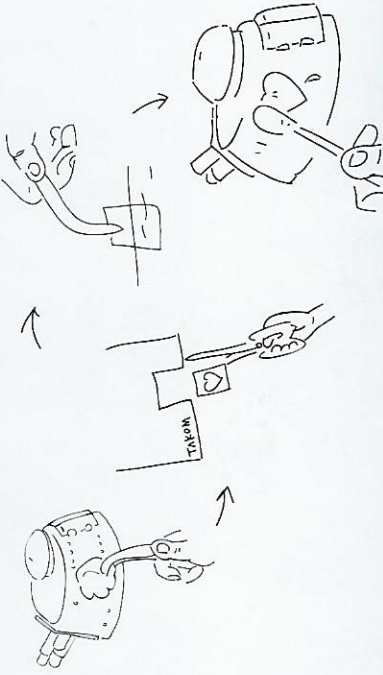
Remove

PAINTS REQUIRED

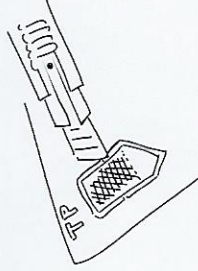
Color info and profiles by AMMO MIG.

APPLYING DECALS

1. Clean the model surface with a wet cloth.
2. Cut out each decal design from sheet, and dip it in tepid water for 15--20 sec.
3. Hold the backing sheet edge and slide decal onto the model.
4. Move decal into position by wetting decal with finger.
5. Press decal gently down with a soft cloth until excess water and air bubbles are gone.



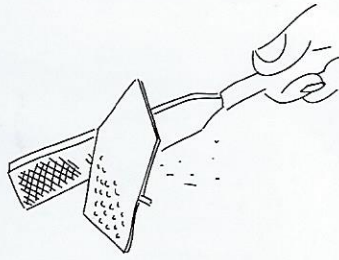
REMOVING PE



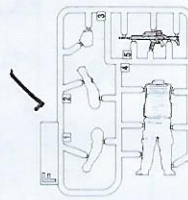
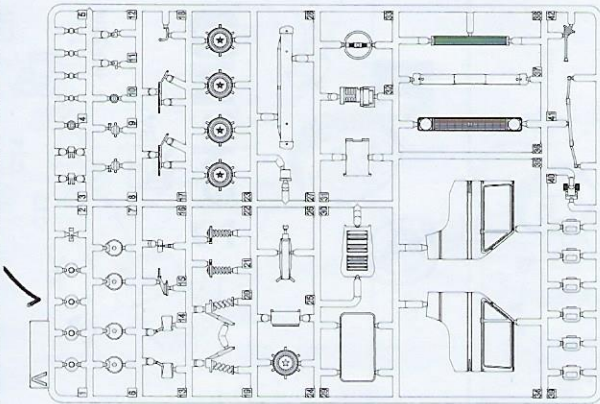
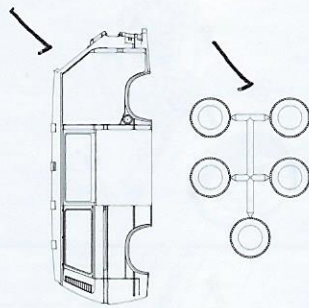
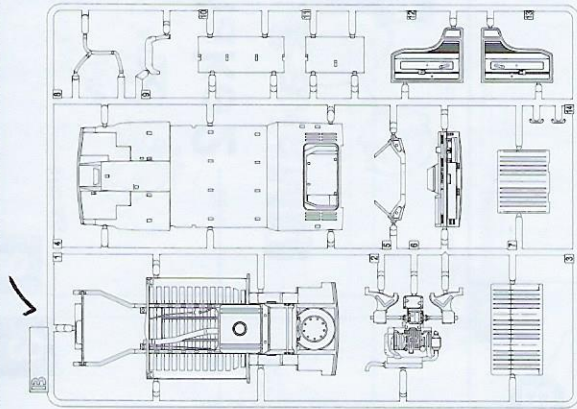
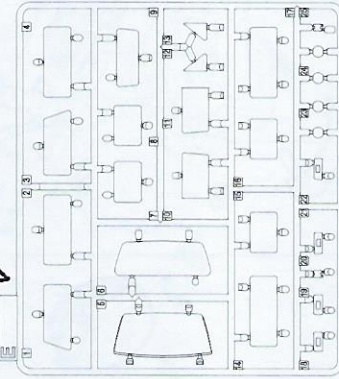
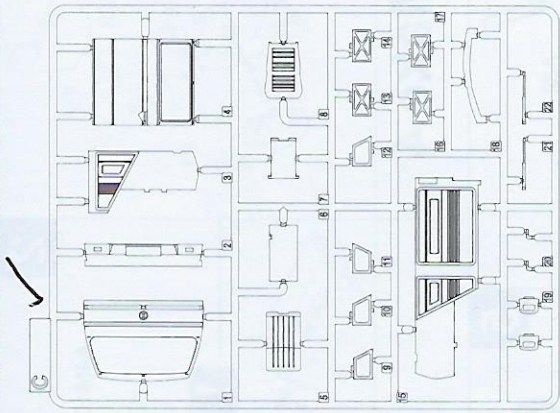
Be careful not to hurt when removing PE parts.



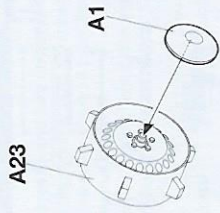
Secure using instant glue (not included).



Finish using file.

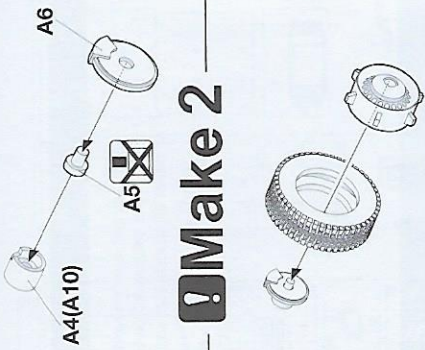


1



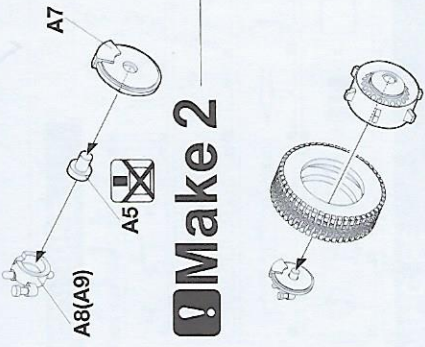
! Make 4

2



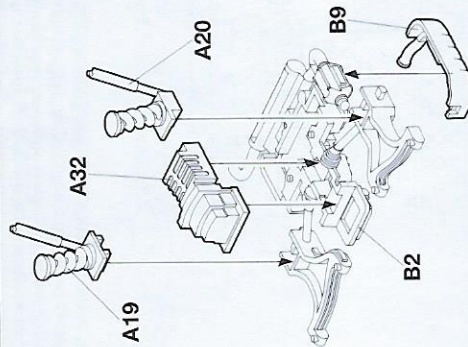
! Make 2

3



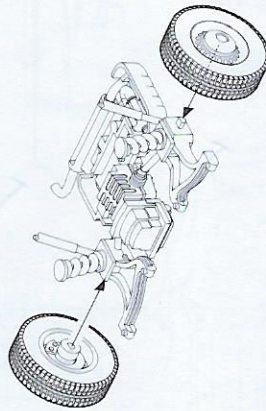
! Make 2

4



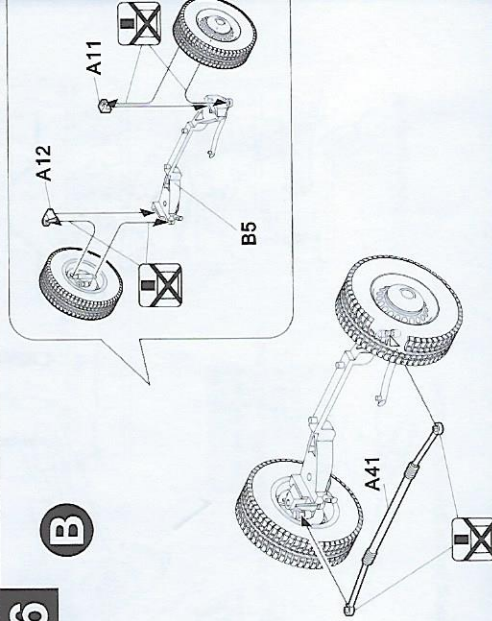
5

A



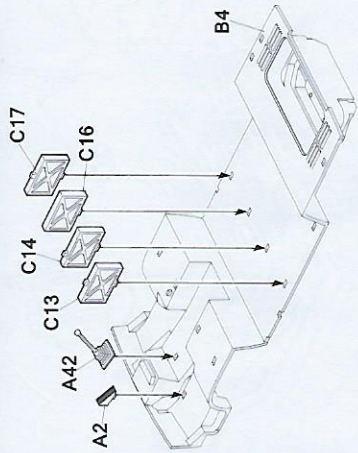
6

B

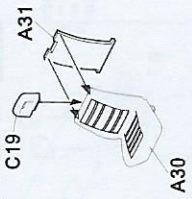


3

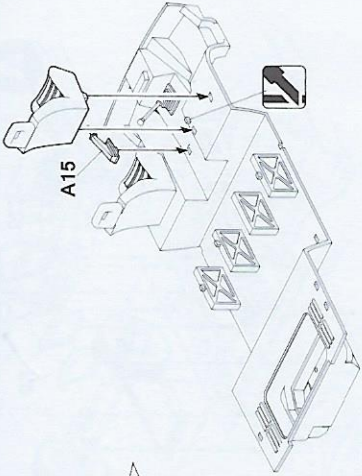
7



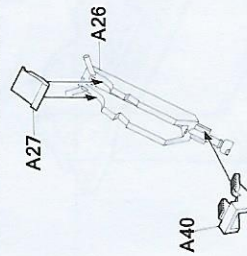
8



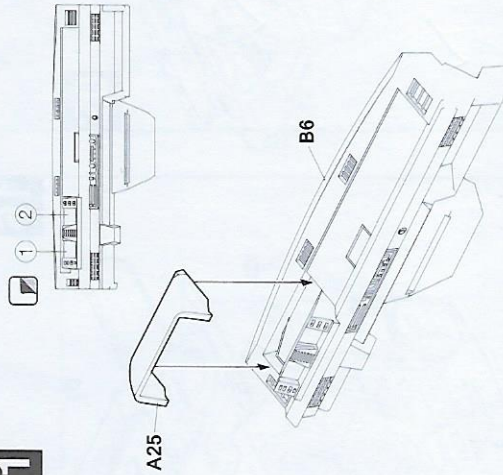
! Make 2



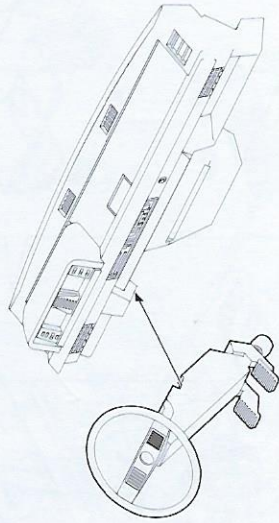
9



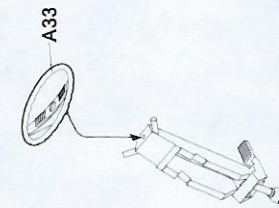
11



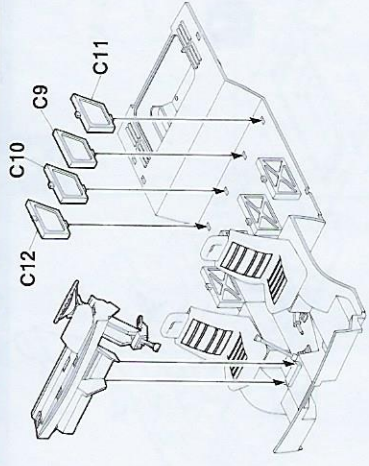
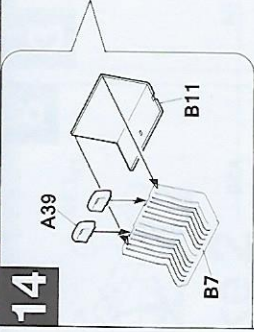
12



10

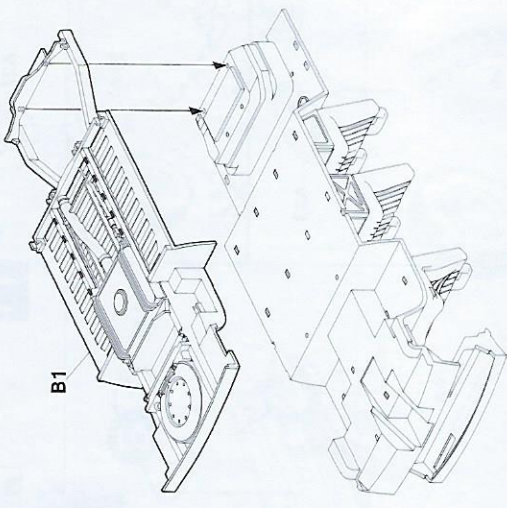


14

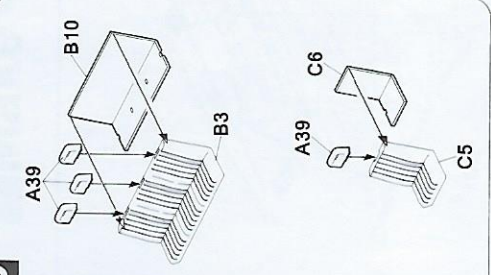
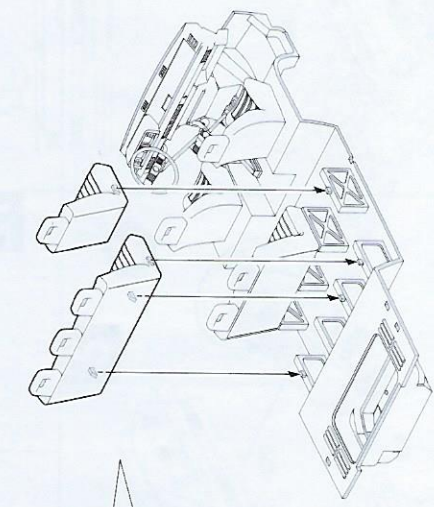


13

16

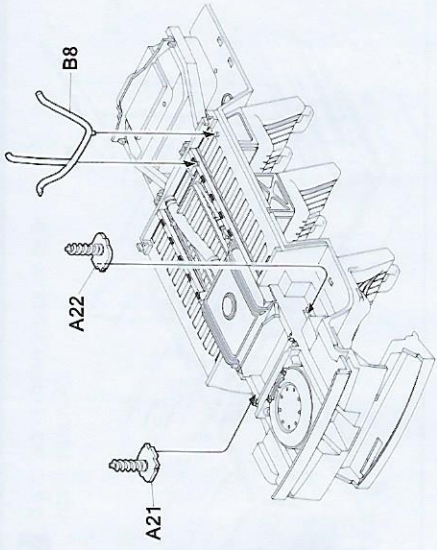


15

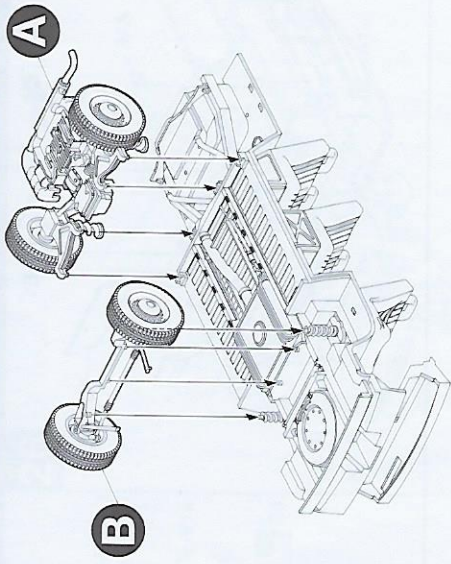


5

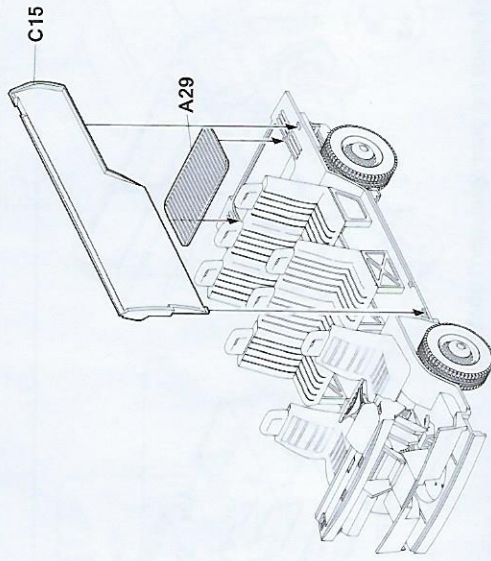
17



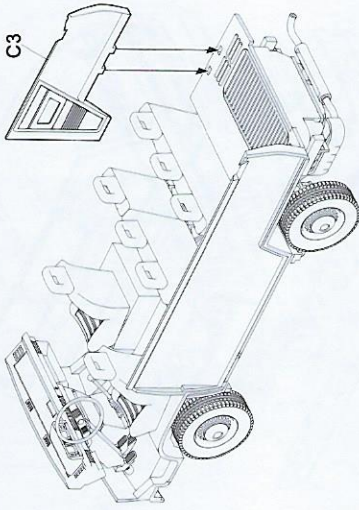
18



19

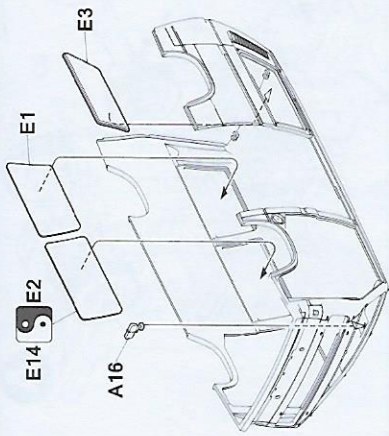


20

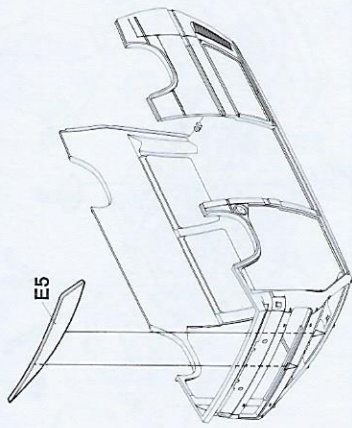


6

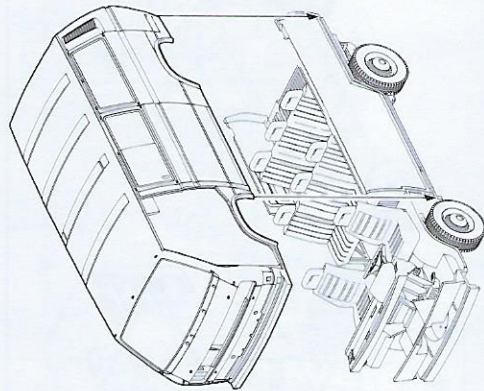
21



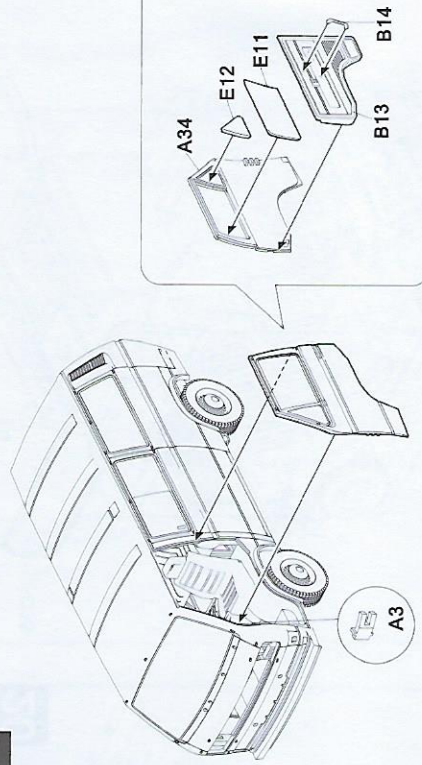
22



23



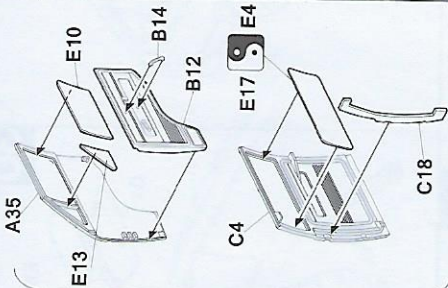
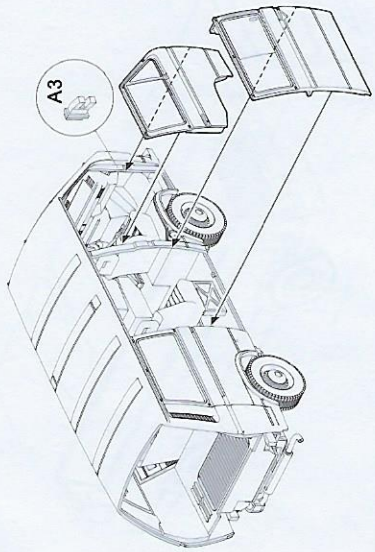
24



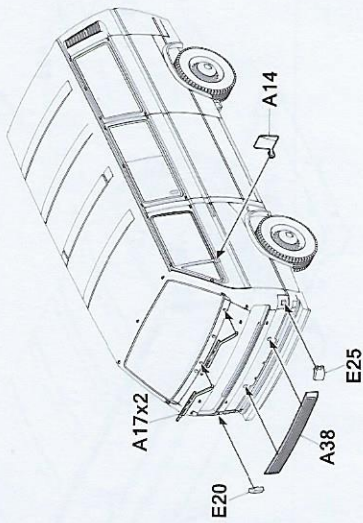
! If you won't make the door open, don't attach A3.

25

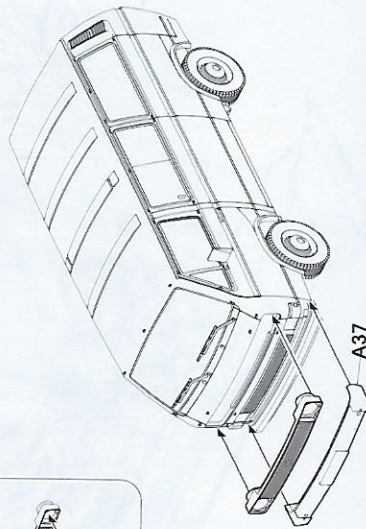
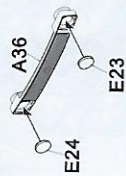
! if you won't make the door open, don't attach A3.



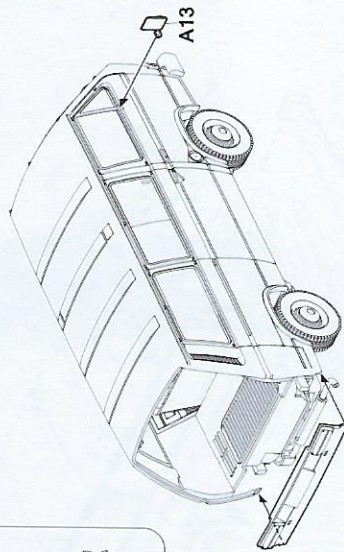
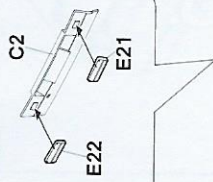
26



27

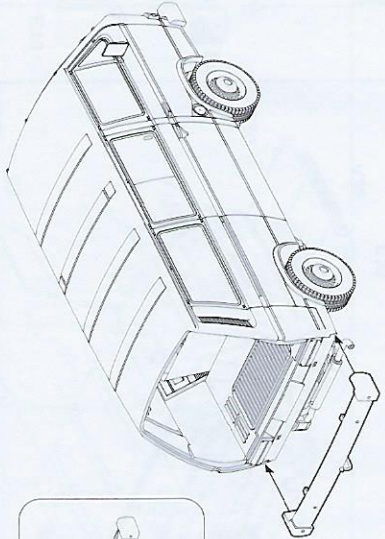
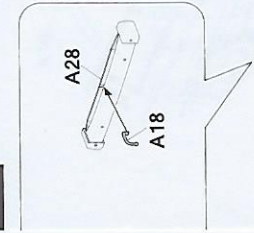


28



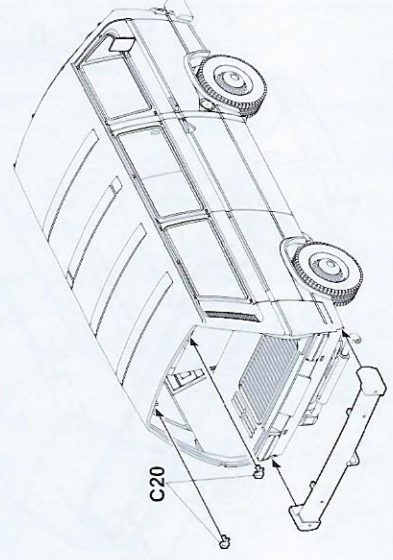
8

29



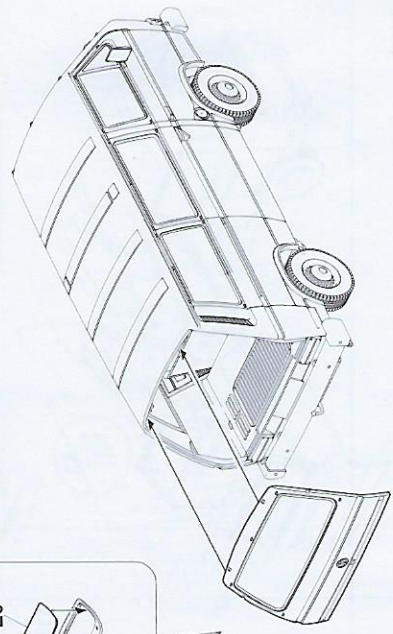
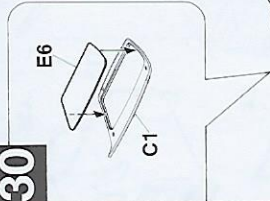
31

Open



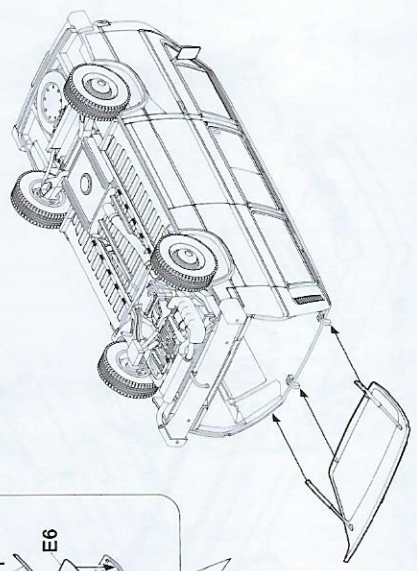
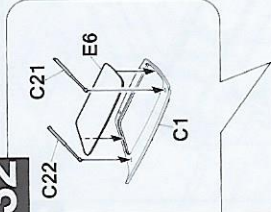
30

Closed

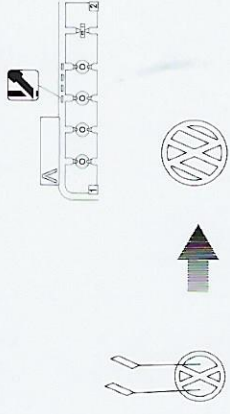


32

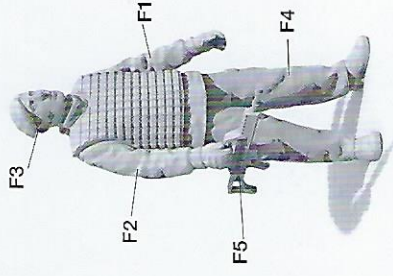
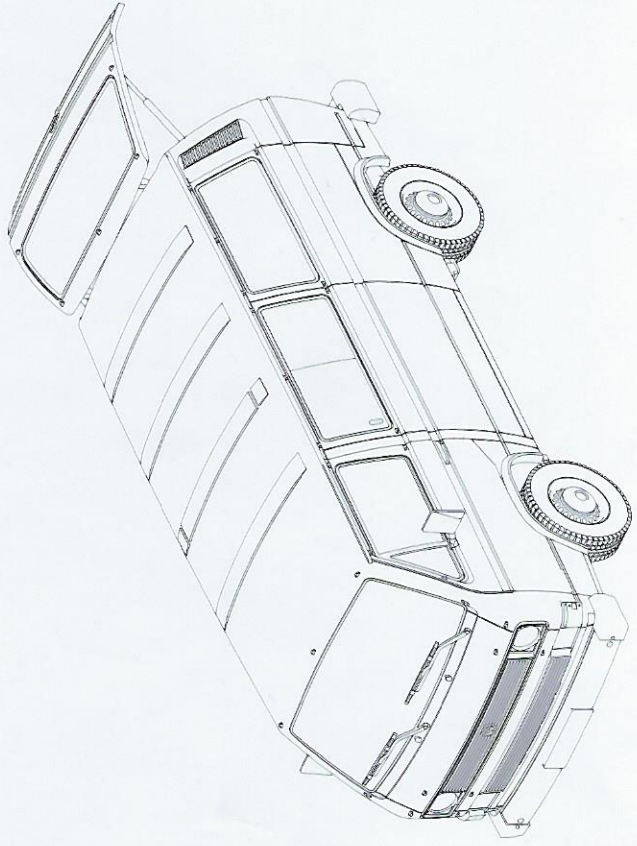
Open



Making the logo you want



Please remove stick from Sprue A



The color of this figure please refer to boxart

2014/2013

