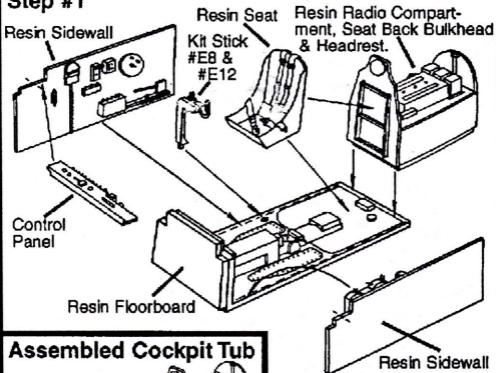
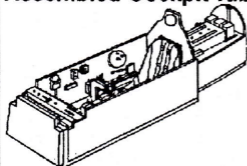


# P-38J Cockpit

## Step #1



## Assembled Cockpit Tub



• **Congratulations** •  
On the purchase of  
another fine  
True Detail product.  
Ask your local dealer  
for a complete listing.

## P-38J Lightning Painting Instructions

**FS34151** (Interior Green)-  
Fuselage Interior, Sidewalls,  
Floorboard, Seat.

**FS37038** (Flat Black)- Instru-  
ment Panel, Gunsight, Radio  
Box, Battery Box, Trim Wheel,  
Throttle Quadrant, Instrument  
Panel, Various Equipment  
Panels, Oxygen Regulator,  
Control Stick & Grip.

**FS37925** (Flat White)-  
Shoulder Belts, Instru-  
ment Panel Needles.

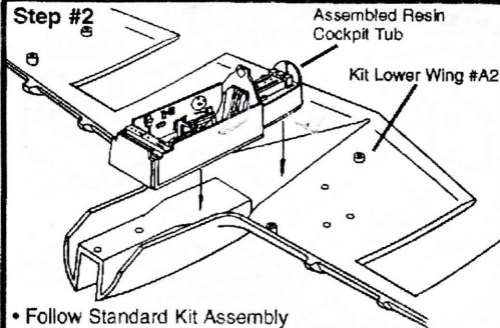
**FS34201** (Khaki Green)-  
Lap Belts, Seat Cushion.

**FS17178** (Silver)- Seat  
Belt Buckles, Rudder &  
Pedals.

**FS30117** (Leather  
Brown)- Headrest Cush-  
ion & Chafing Pads on  
Lap Belts.

**FS34092** (Dark Green)-  
Oxygen Hose.

## Step #2



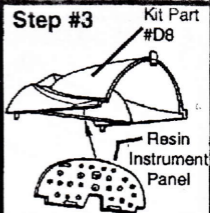
- Follow Standard Kit Assembly Instructions - Discarding All Cockpit Parts Except Those Noted In The Cockpit Assembly Instructions.
- Dry Fit All Parts Before Final Assembly.

### P-38J Lightning

Cockpit Assembly 48455  
(Recommended for 1/48 Scale  
Minicraft Kit).

- These parts may be used with other P-38J Lightning kits with some modifications.
- These are resin parts. Super Glue or Epoxy must be used for gluing.

## Step #3



Mark center of panel on #D8 for placement of resin Instrument Panel. Center panel on mark and glue in place.

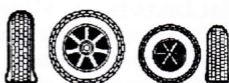
### 48007 Wheel Set.

(2 Main & 1 nose wheel)  
Diamond Tread - Nose wheel  
open spoke on outside only.



### 48063 Wheel Set.

(2 Main & 1 nose wheel)  
Checker Tread - Nose wheel  
open spoke both sides.



Don't forget to use flattened and bulged P-38J wheels, shown above, on your model for added realism.