

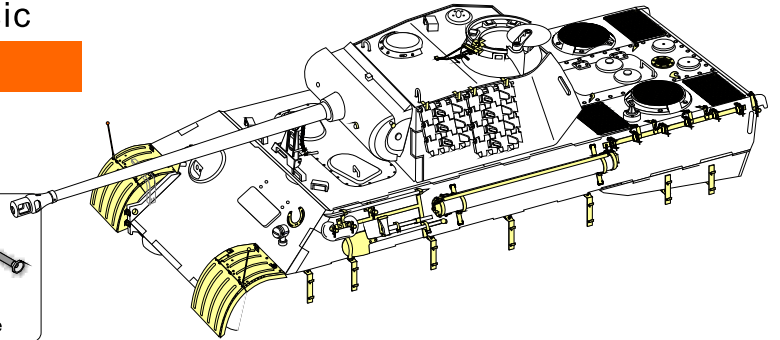
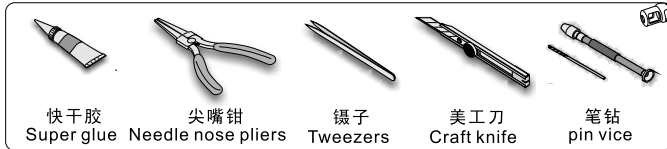
1/35 MILITARY MINIATURE VEHICLE UPGRADE SERIES PE35981

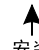
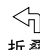








WWII German Panther A Tank Basic


二战德军豹A型坦克基本改造件

[For TAKOM 2098 2099 2100 2108]

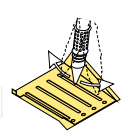
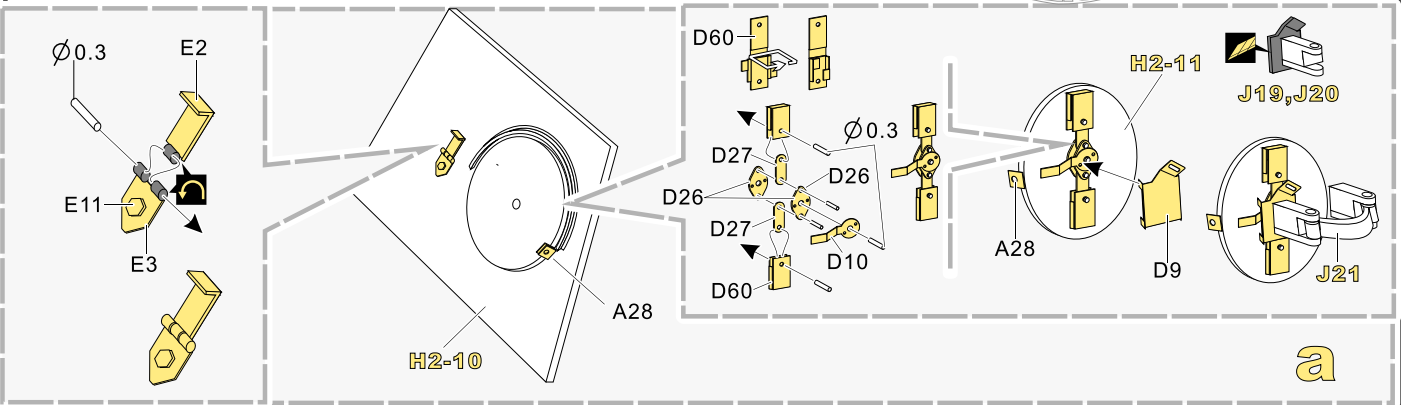
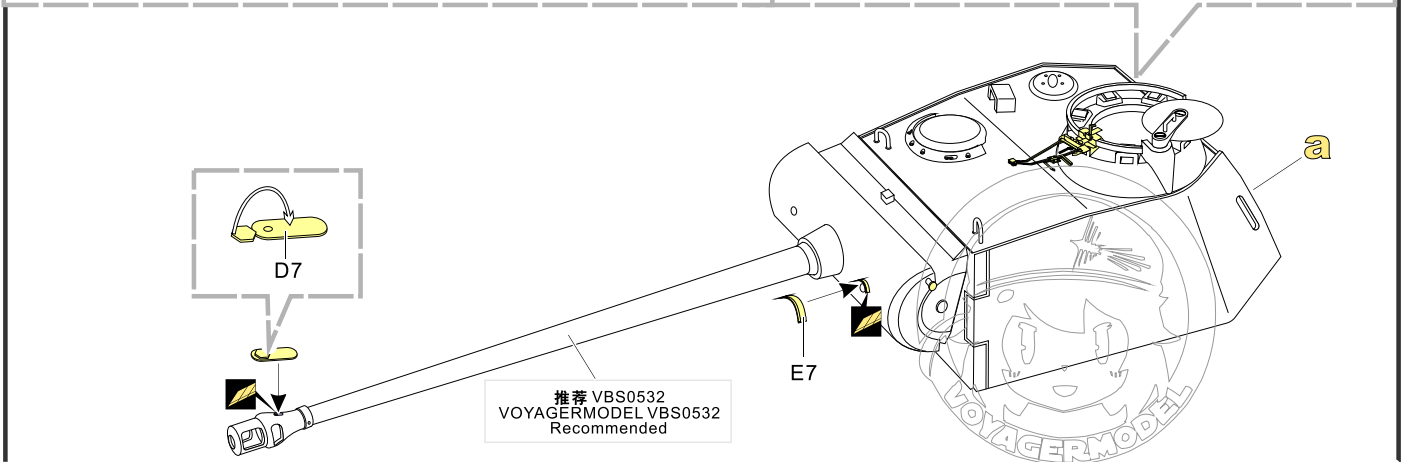
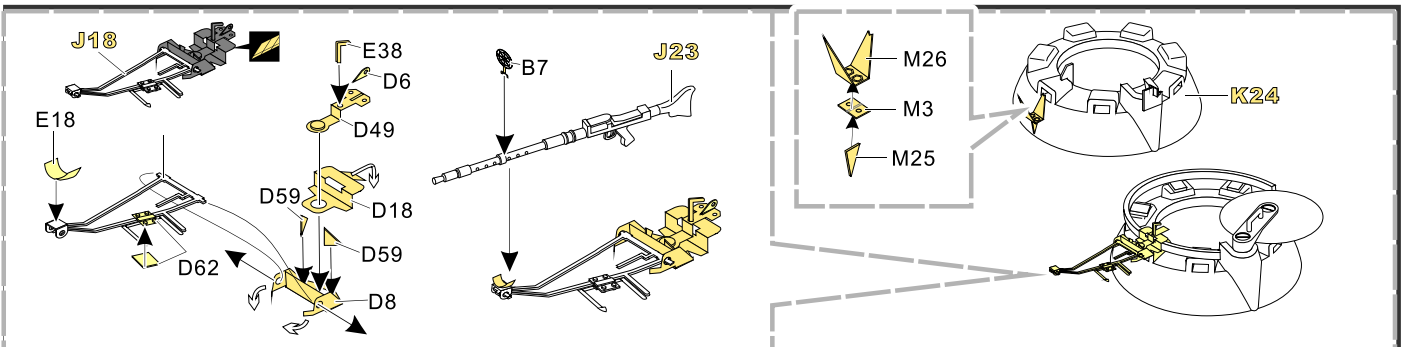
推荐使用工具 RECOMMENDED TOOLS



- 
 安装
install
- 
 折叠
bend
- A1**
 改造件零件编号
PE/resin part number
- B12**
 原零件编号
kit part number
- C22**
 被替换的原零件编号
replaced kit part number
- 
 另一侧相同制作
repeat on opposite side
- 
 切除
remove
- 
 打磨
grind off
- 
 弧度卷曲
radial bending
- 
 制作若干组
multiple assembly
- 
 选择安装
alternative
- 
 钻孔
drill
- 
 用胶棒制作
make from plastic rod


 用尖端在凹槽处冲压
use penpoint to press on the dent

蚀刻片零件内侧面向上
Put the part upside down
用笔尖在凹槽处刺
Use penpoint to press on the dent

1/35 MILITARY MINIATURE VEHICLE UPGRADE SERIES PE35981

b x4
A44, A45, A47

c x2
A43, A46, A47

d x8
D61, A48

e
U28, E43, b

f
U29, C, D50

g x2
E24, S5, U45, D51, E32, B5

h x2
E20, A3, C3

i x6
C3, A3

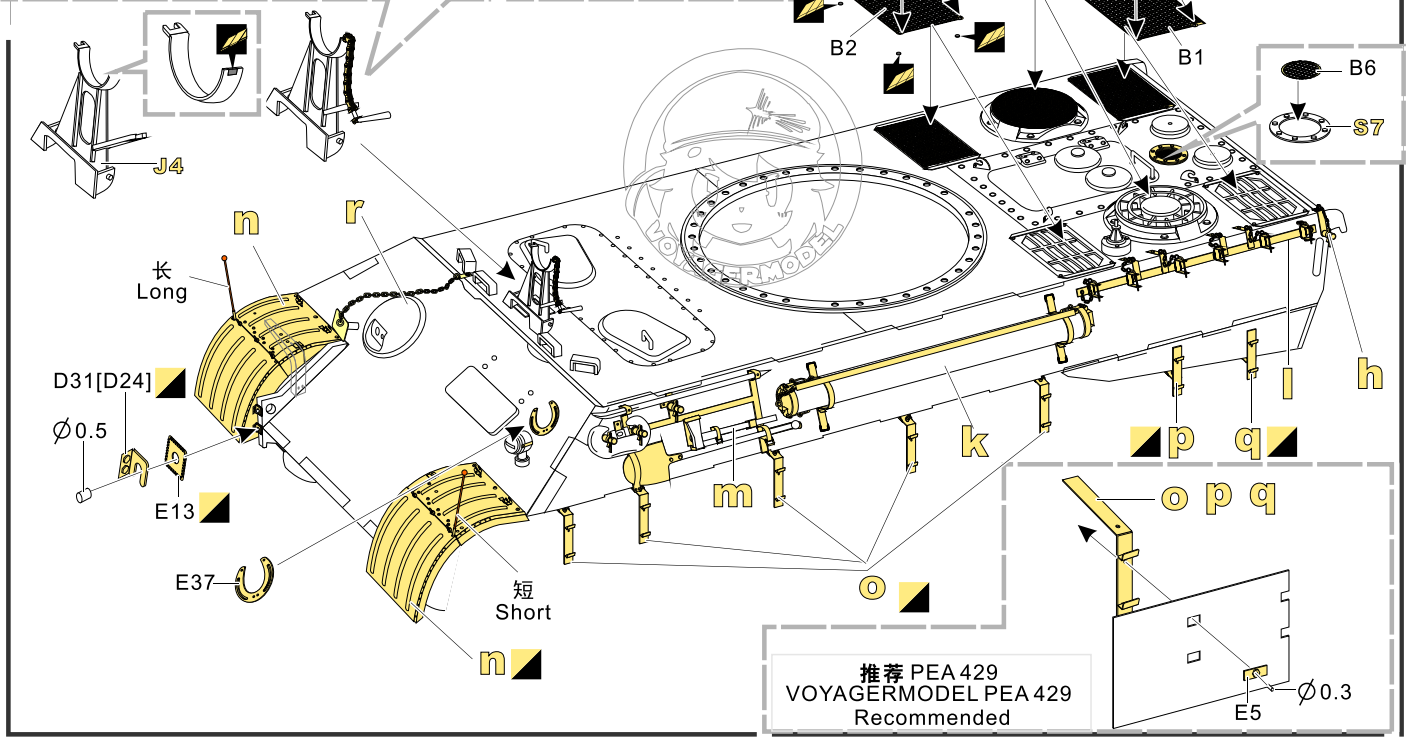
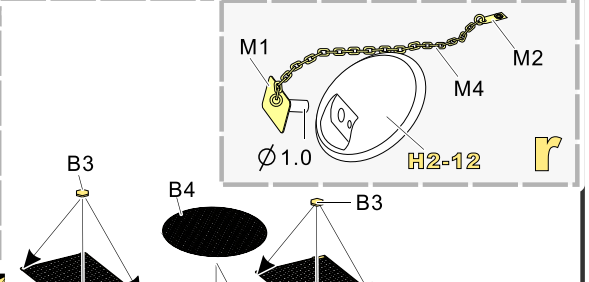
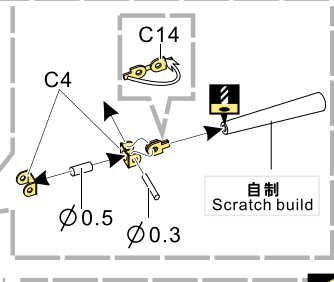
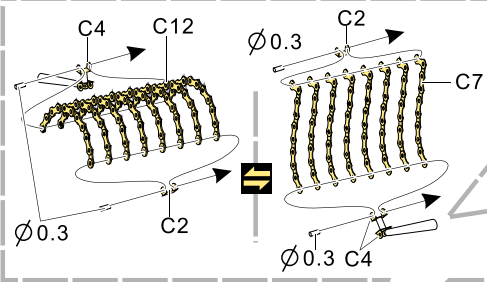
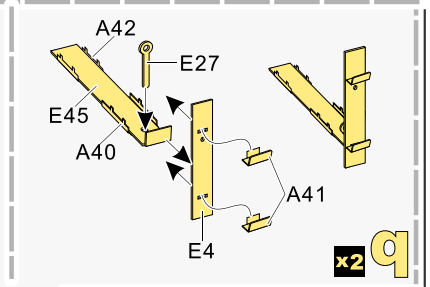
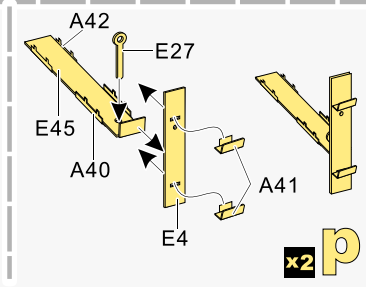
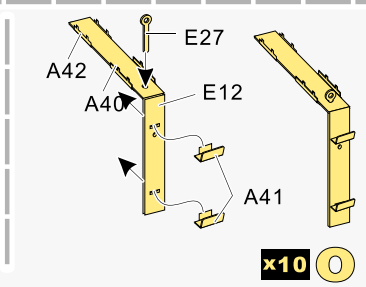
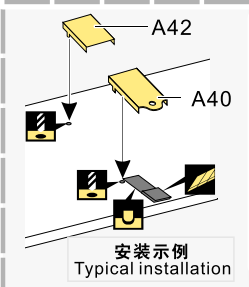
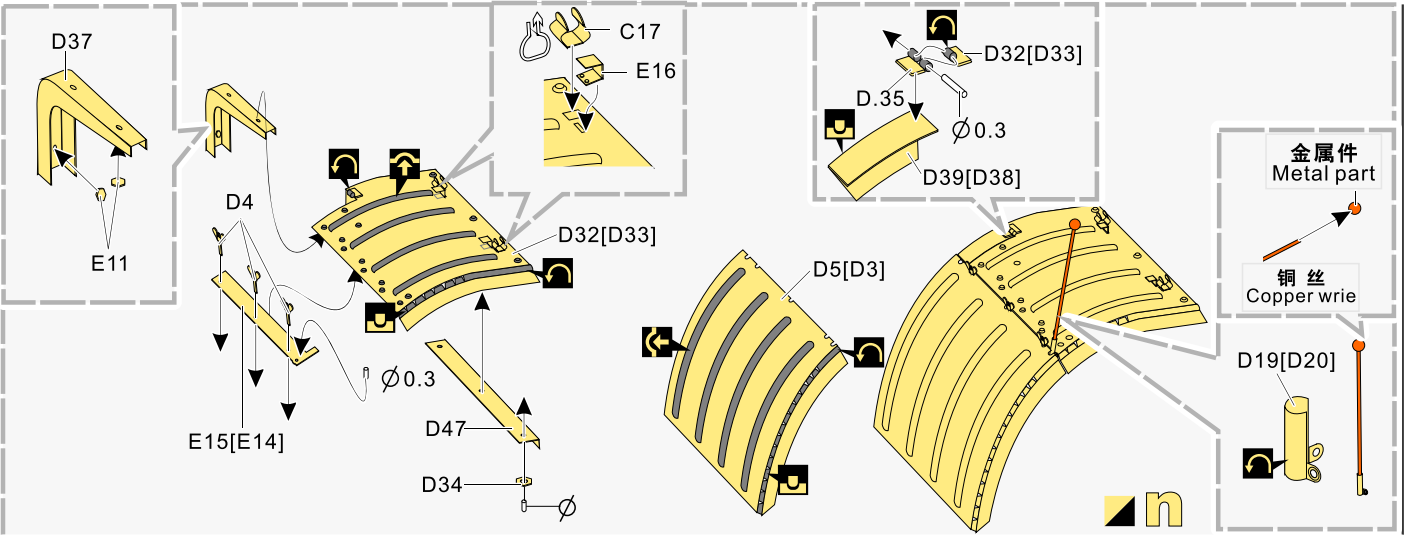
j
D22, D4, U6
自制 Scratch build

k
E23, A38, A34, A33, B2-3, B2-2, C10, A39, A39, A36, A35, M33, E33, A34, A38, A33
推荐 PEA070
VOYAGERMODEL PEA070
Recommended
剖面 Cross section

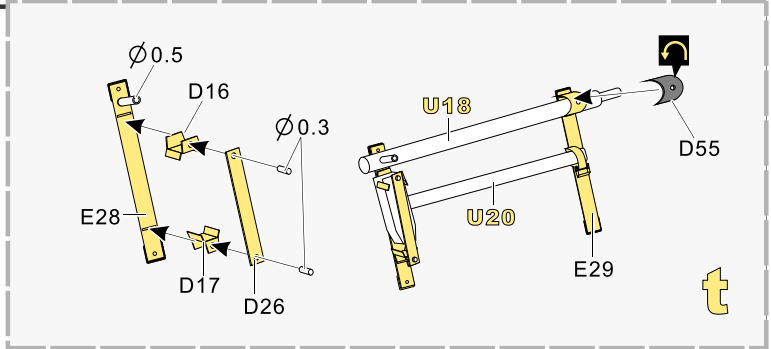
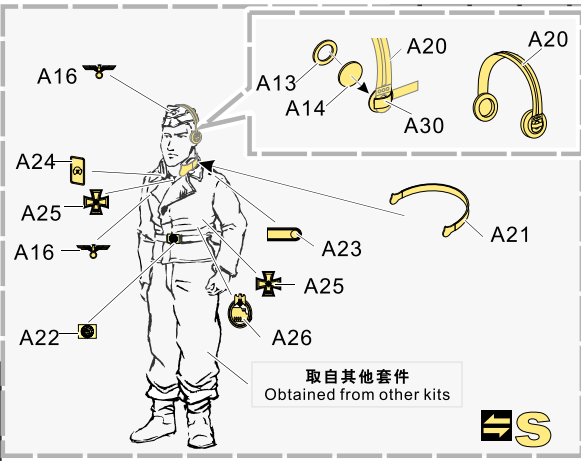
l x2
E33, E31, E1, C6

m
E21, S14, J2-14, e

1/35 MILITARY MINIATURE VEHICLE UPGRADE SERIES PE35981



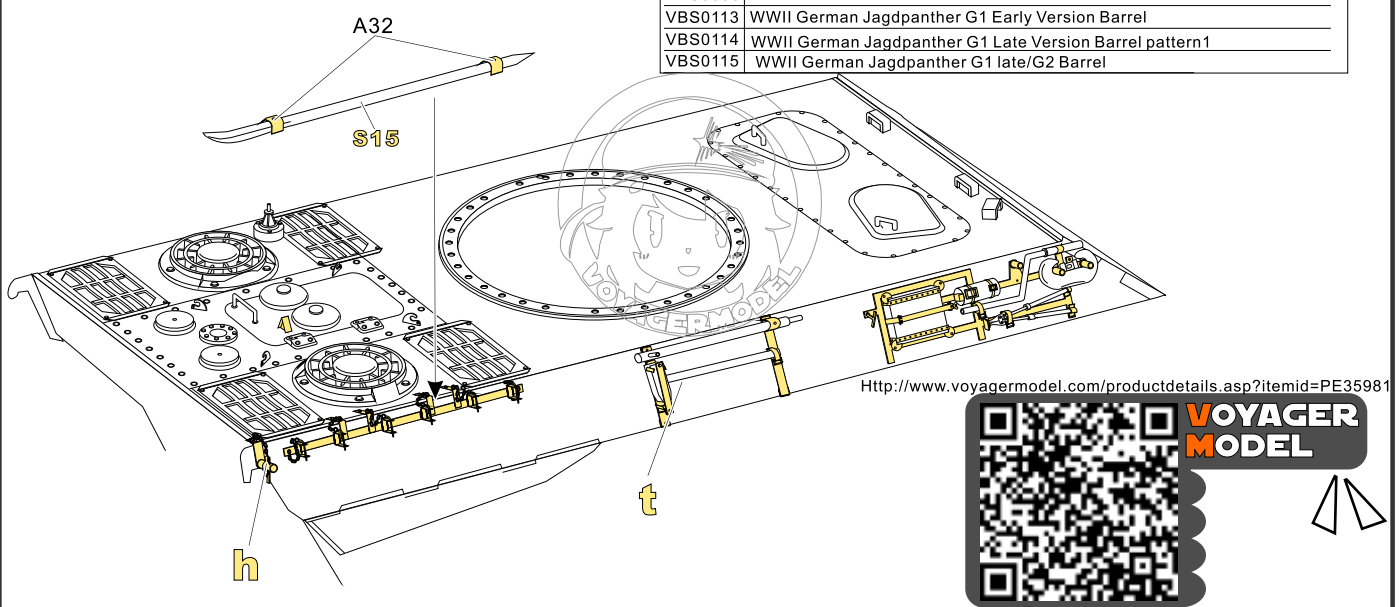
1/35 MILITARY MINIATURE VEHICLE UPGRADE SERIES PE35981



VOYAGERMODEL 无微不至 精益求精

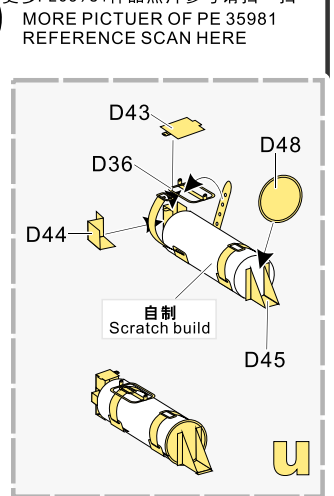
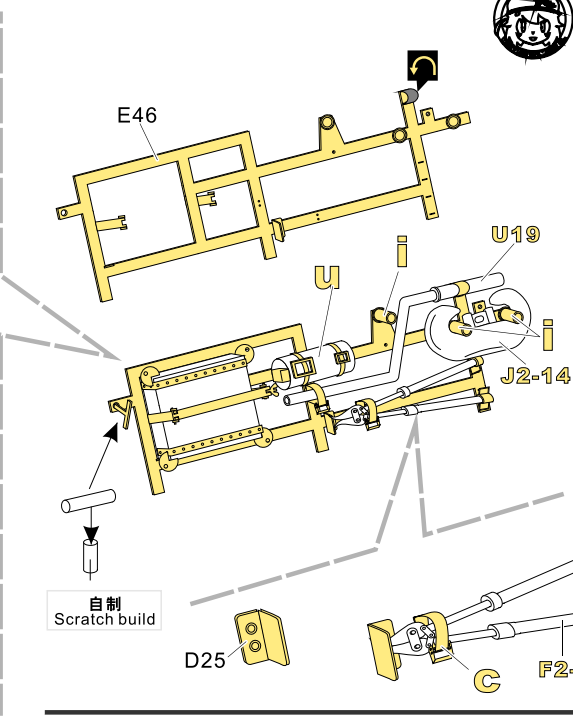
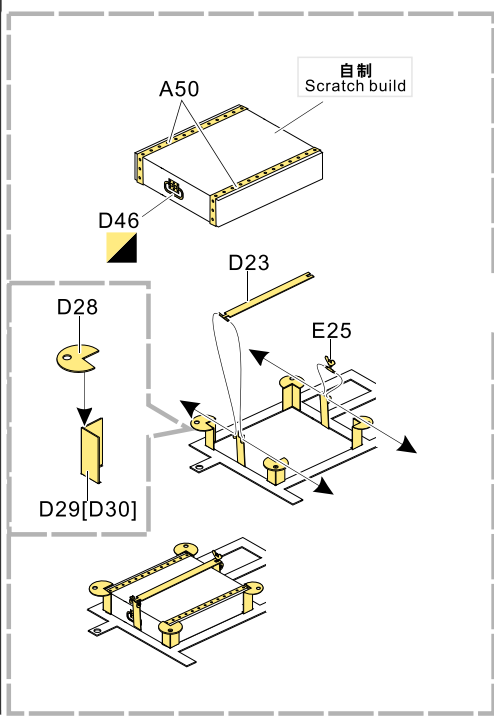
Recommended item

VBS0143	WWII German KwK42 L/70 Gun Barrel for Panther A/G (GP)
VBS0144	WWII German KwK42 L/70 Gun Barrel for Panther A/G (DRAGON SMART KIT)
VBS0145	WWII German KwK42 L/70 Gun Barrel for Panther D (GP)
VBS0533	WWII German KwK42 L/70 Gun Barrel for Panther D (TAKOM)
VBS0506	WWII German KwK42 L/70 Gun Barrel for Panther F
VBS0113	WWII German Jagdpanther G1 Early Version Barrel
VBS0114	WWII German Jagdpanther G1 Late Version Barrel pattern1
VBS0115	WWII German Jagdpanther G1 late/G2 Barrel

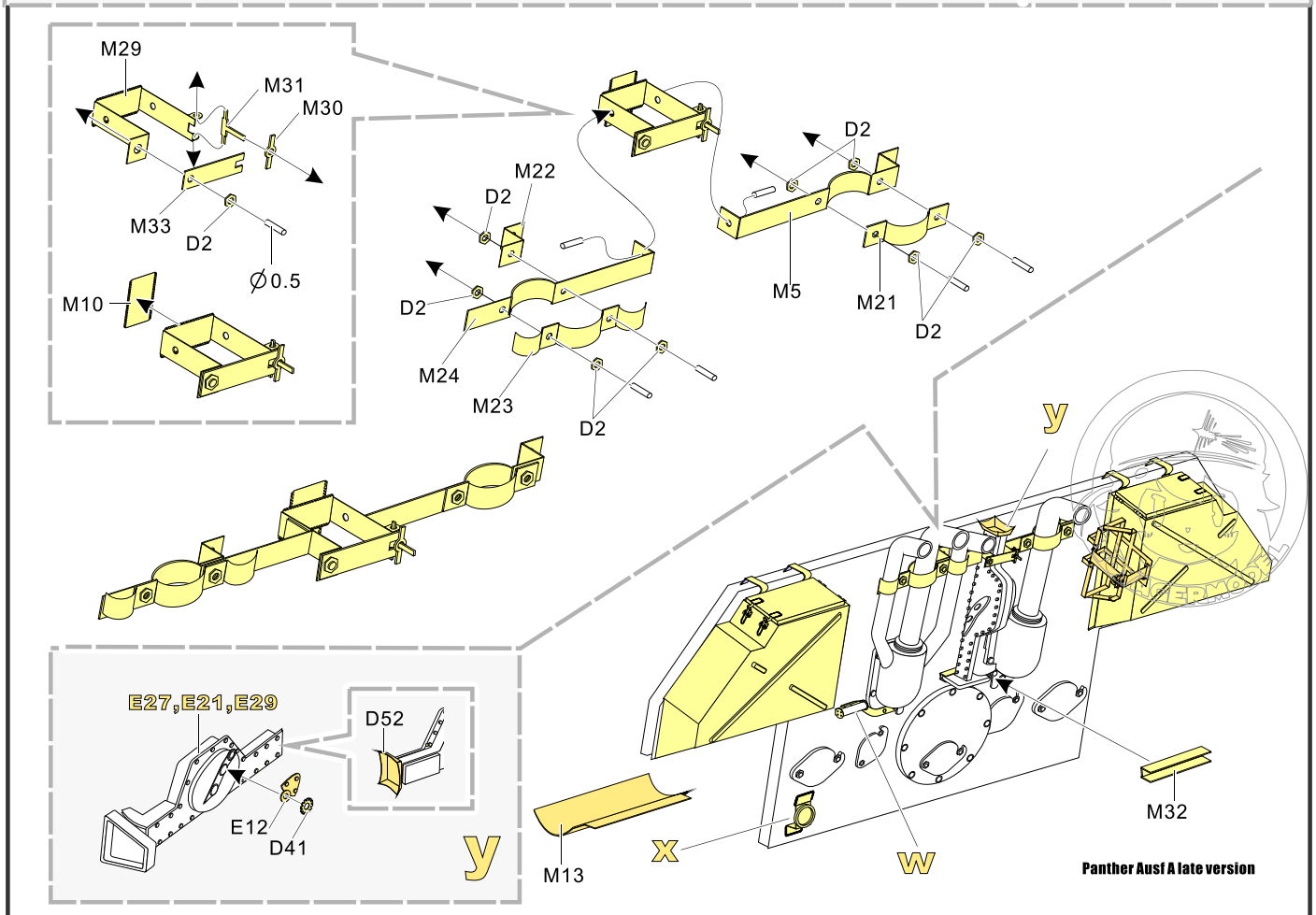
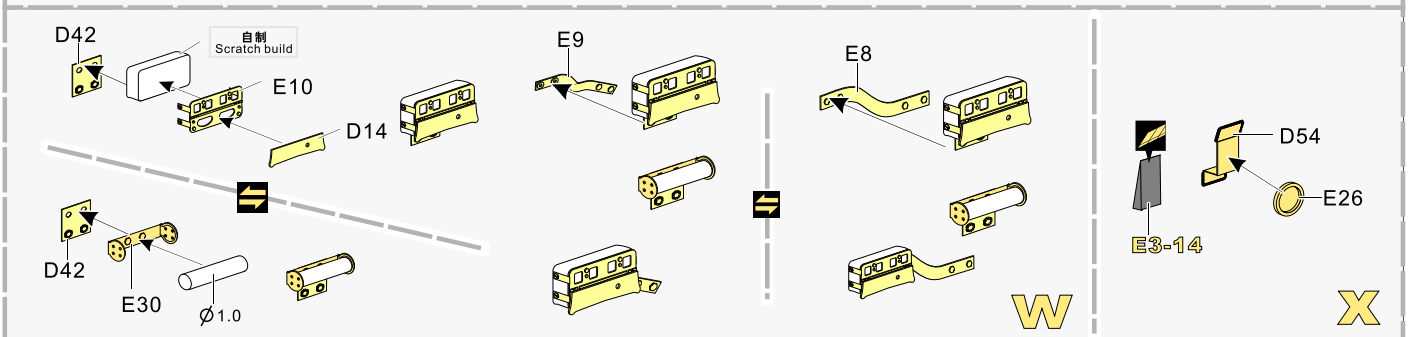
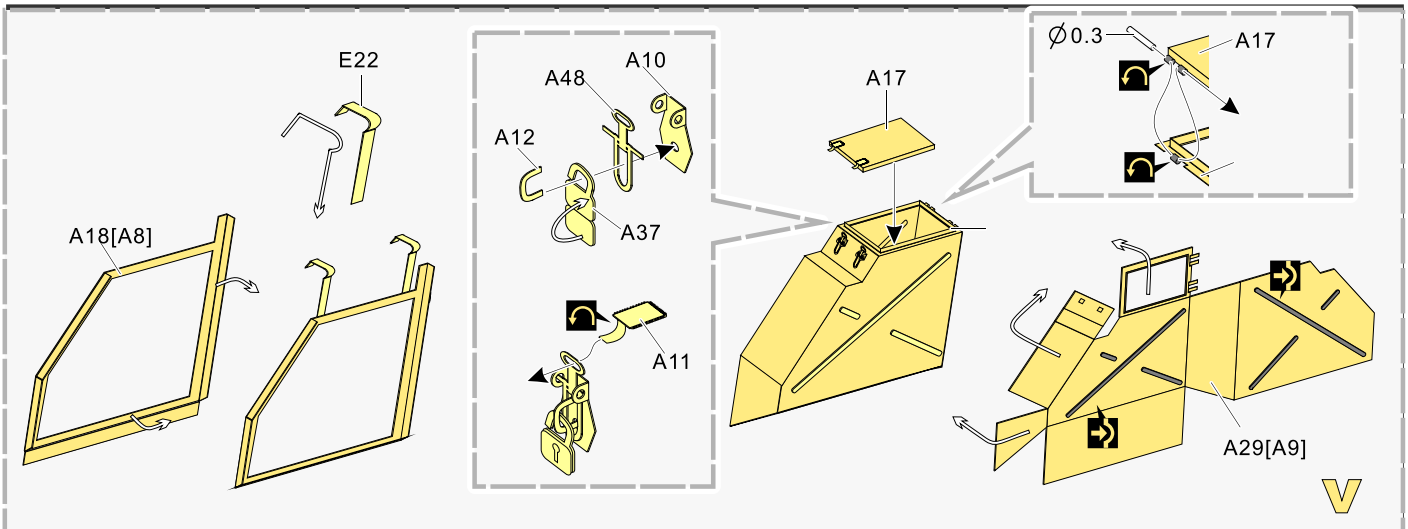


VOYAGER MODEL

更多PE35981样品照片参考请扫一扫
MORE PICTUER OF PE 35981
REFERENCE SCAN HERE



1/35 MILITARY MINIATURE VEHICLE UPGRADE SERIES PE35981



Panther Ausf A late version

1/35 MILITARY MINIATURE VEHICLE UPGRADE SERIES PE35981

法国索玛博物馆使用
Only fit for SOMUA museum

取自其他套件
Obtained from other kits

Wire
自制
Scratch build

2 Pcs
or
3 Pcs

展开状态
Extended

VOYAGERMODEL® 无微不至 精益求精

Recommended item

PEA428	WWII German Panther D AntiAircraft Armor
PEA429	WWII German Panther A/D Schurzen
PE 35983	WWII German Panther D Tank Late version Basic
PEA070	WWII German Panther/Jagdpanther Cleaning rod bin
PEA 270	WWII German Panther A/G/F、JagdPanzer Demaged Road wheels
PE 35939	WWII German JagdPanther G1 Basic
PE 35984	WWII German Panther A Tank Early version Basic
PE 35979	WWII German Bergepanther Ausf.A (Early type,Panther A tool holders) Basic
PE 35980	WWII German Bergepanther Ausf.A (late type,Panther G tool holders) Basic
PE 35982	WWII German Panther D Tank Early version Basic
PE 35995	WWII German Bergepanther Ausf.D (Late type,Panther G tool holders) Basic
PE 35992	WWII German Panther G Mid ver.Basic
VBS0532	WWII German KwK42 L/70 Gun Barrel for Panther A/G
VBS0533	WWII German KwK42 L/70 Gun Barrel for Panther D