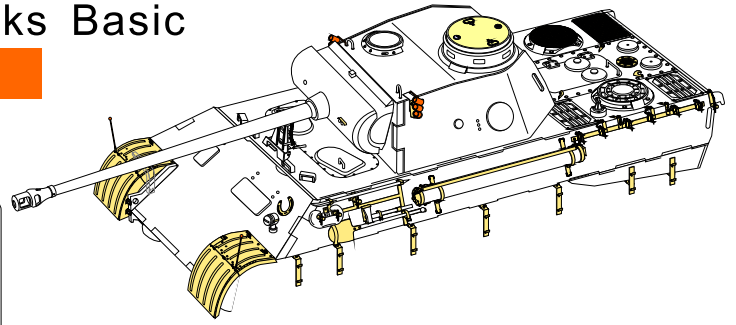


1/35 MILITARY MINIATURE VEHICLE UPGRADE SERIES PE35937

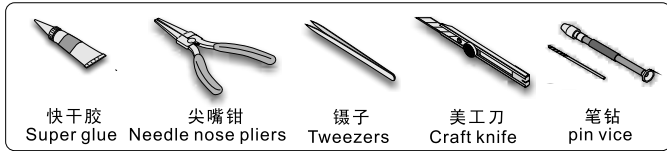
WWII German Panther D Tanks Basic

二战德军豹D型坦克基本改造件

[For MENG TS-038]



推荐使用工具 RECOMMENDED TOOLS



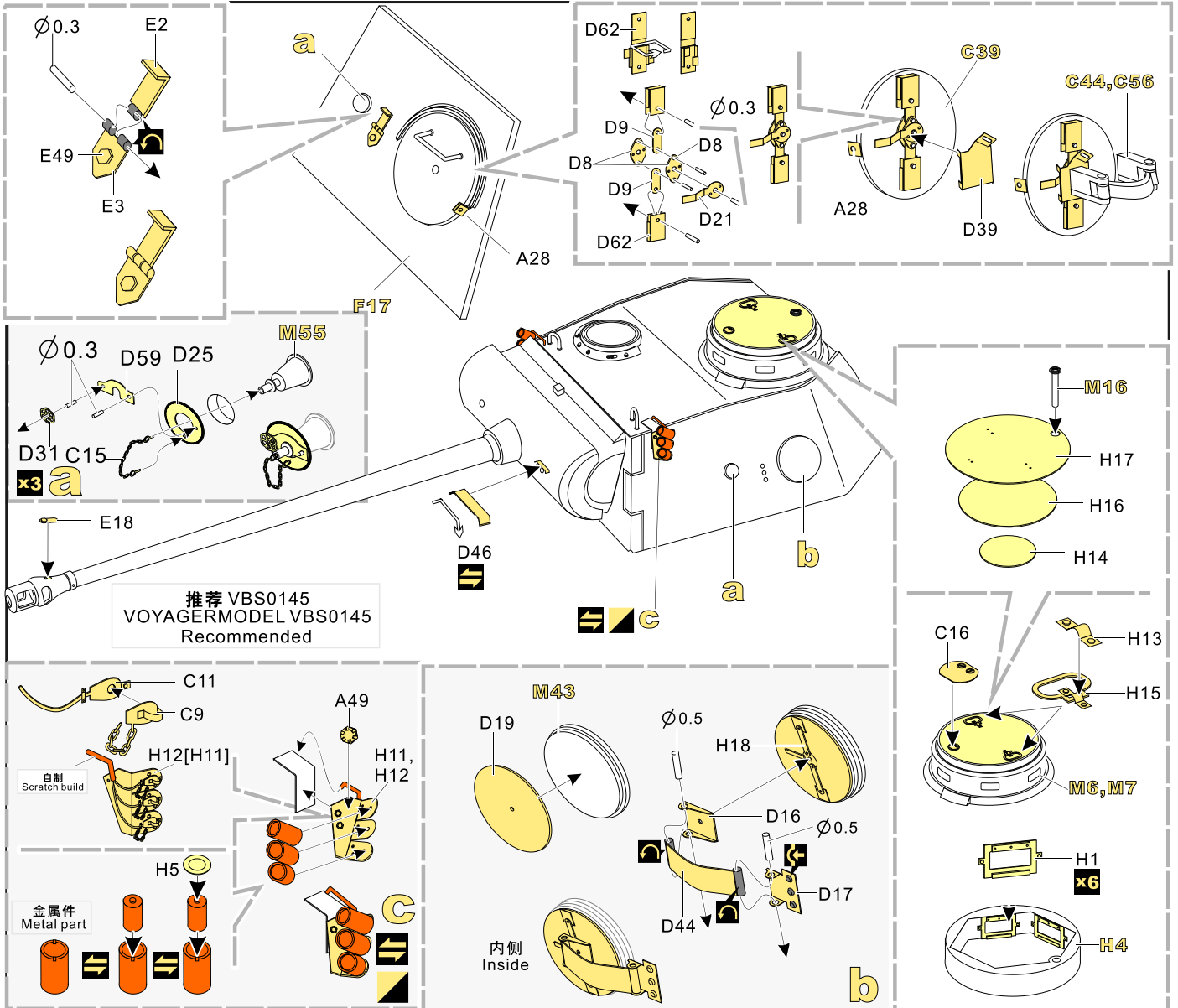
- ↑
安装
install
- ↙
折叠
bend
- A1
改造件零件编号
PE/resin part number
- B12
原零件编号
kit part number
- C22
被替换的原零件编号
replaced kit part number
- ↔
另一侧相同制作
repeat on opposite side

- ✂
切除
remove
- 🔪
打磨
grind off
- 📐
弧度卷曲
radial bending
- x2
制作若干组
multiple assembly
- ⇄
选择安装
alternative
- 🔧
钻孔
drill
- 📌
用胶棒制作
make from plastic rod

↓
用尖端在凹槽处冲压
use penpoint to press on the dent

刻划片零件内侧面向上
Put the part upside down

用笔尖在凹槽处划
Use penpoint to press on the dent



1/35 MILITARY MINIATURE VEHICLE UPGRADE SERIES PE35937

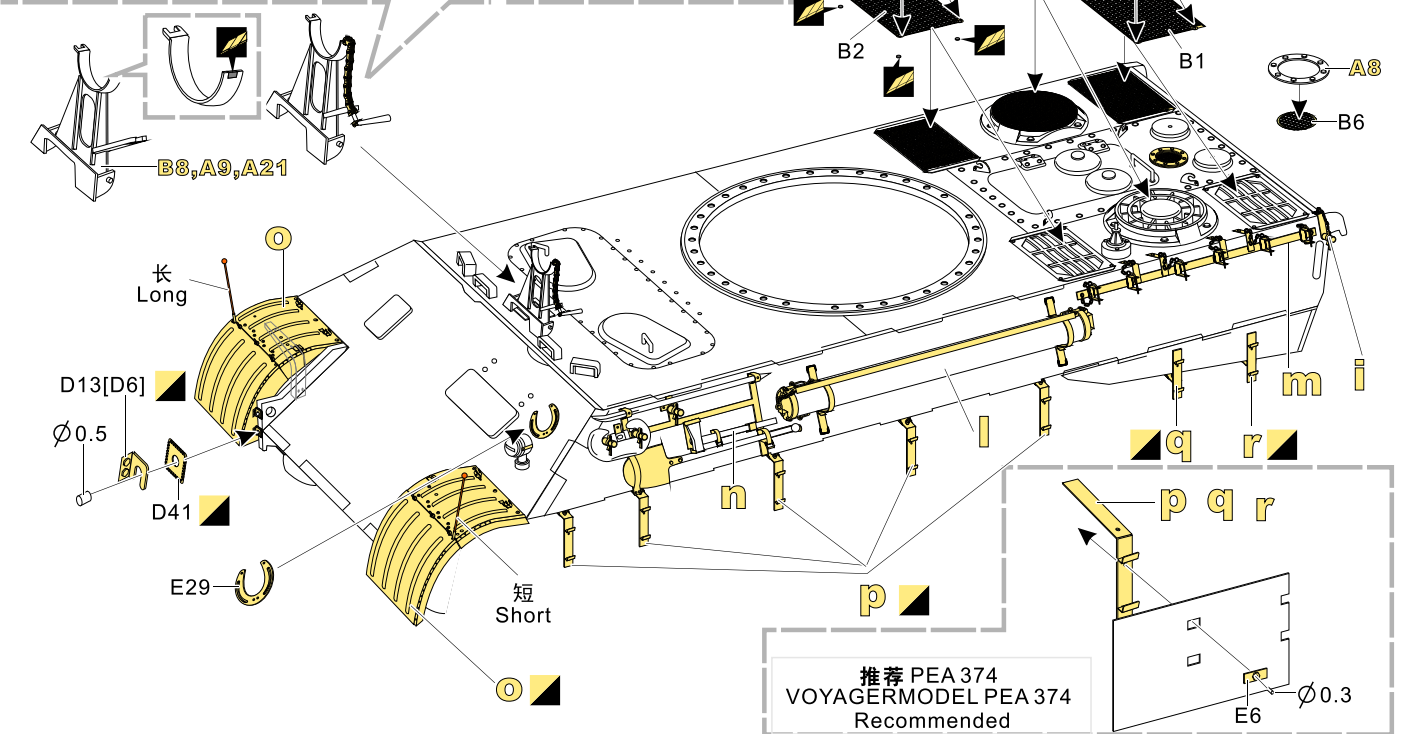
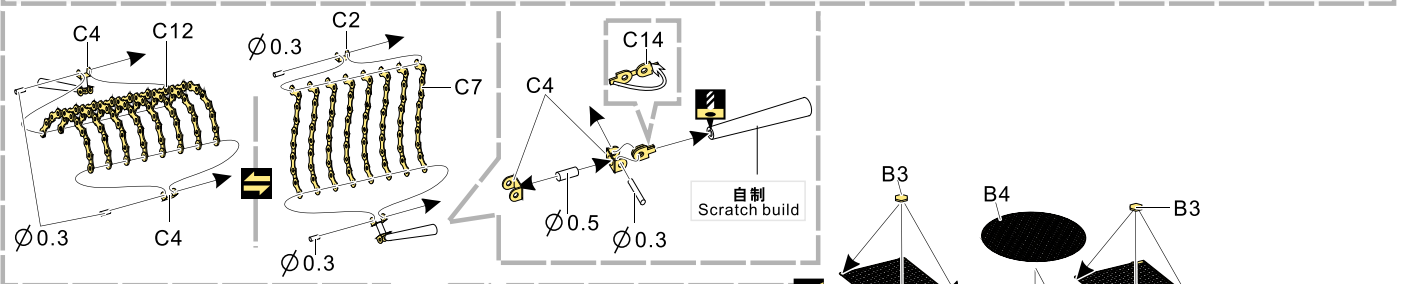
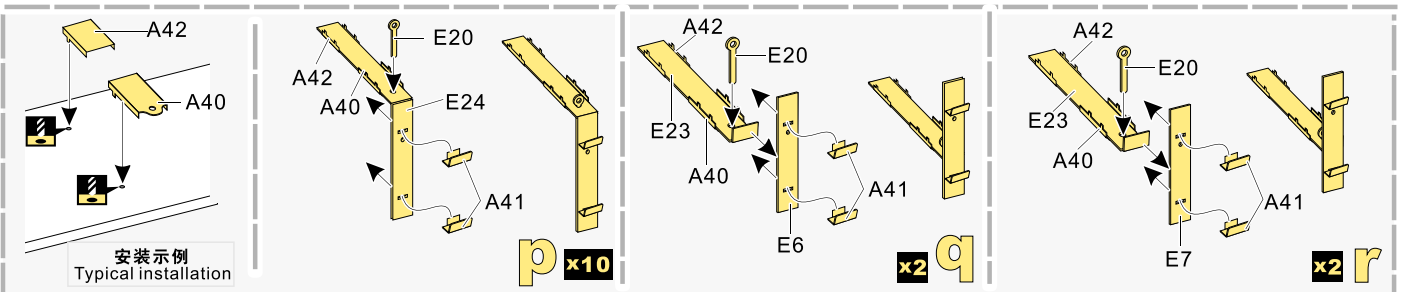
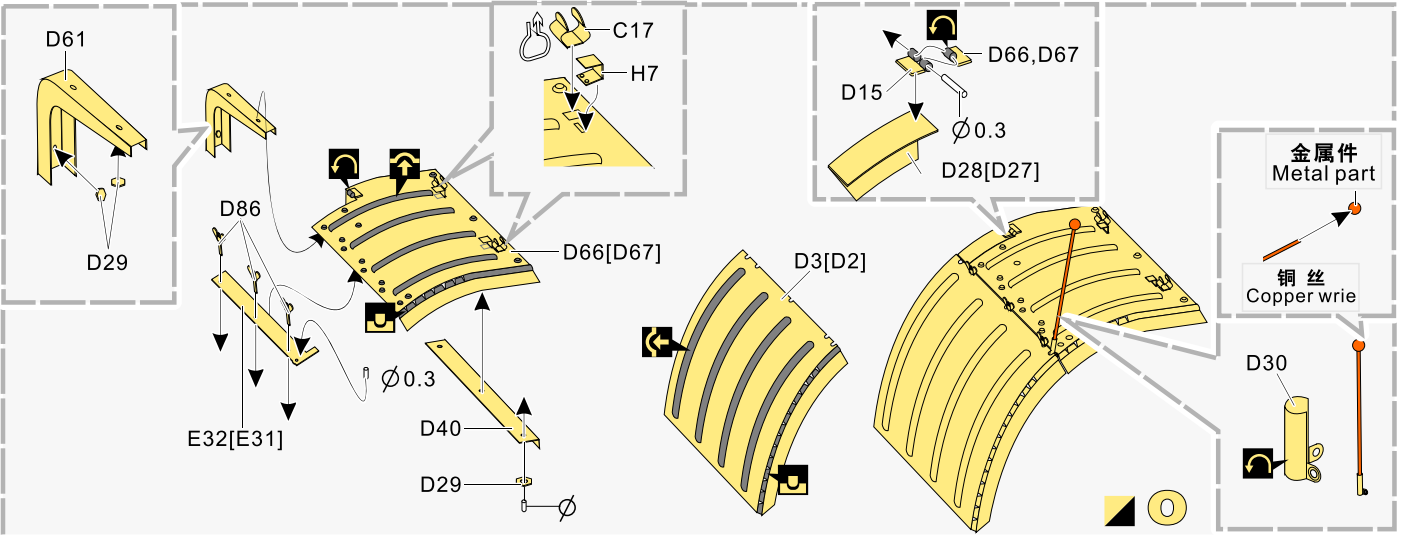
A44, A45, A47 **x4 d**
A46, A47 **x2 e**
D33, A48 **x8 f**
B23, E16 **g**
M15, D32 **h**
E48, M35, A13
A1, E52, B5 **x2 i**

E34, A3, C3 **x2 j**
C3, A3 **x6 k**
A31, A15, A12
 自制
Scratch build

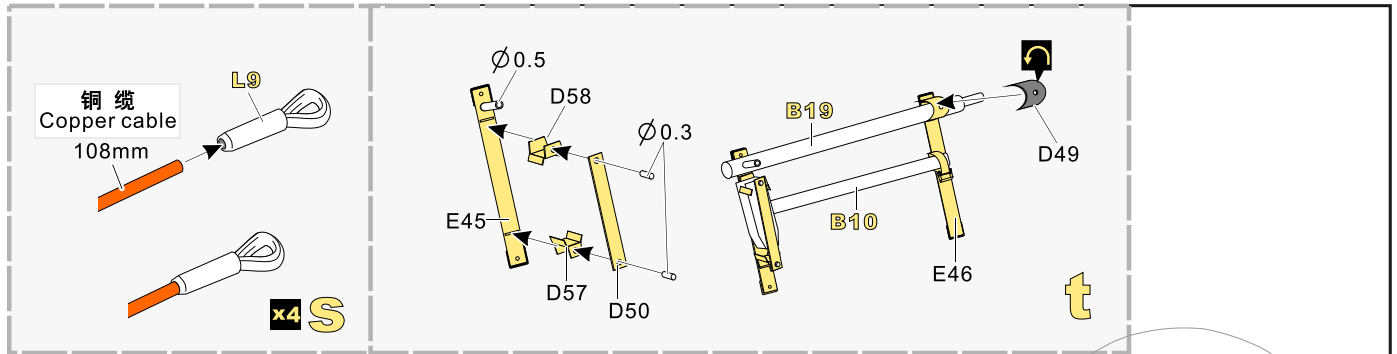
E28, A36, A34, A33, B15, B14, C10, A39, A39, A36, A35, A34, A36, A33 **m**
 推荐 PEA070
VOYAGERMODEL PEA070
Recommended
 剖面
Cross section

E33, E21, E1, C6 **x2 m**
H2, E26, k, B26, F36, g, h **n**

1/35 MILITARY MINIATURE VEHICLE UPGRADE SERIES PE35937



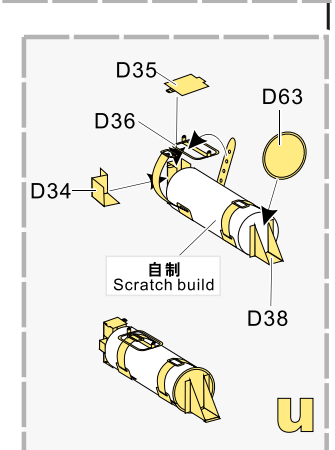
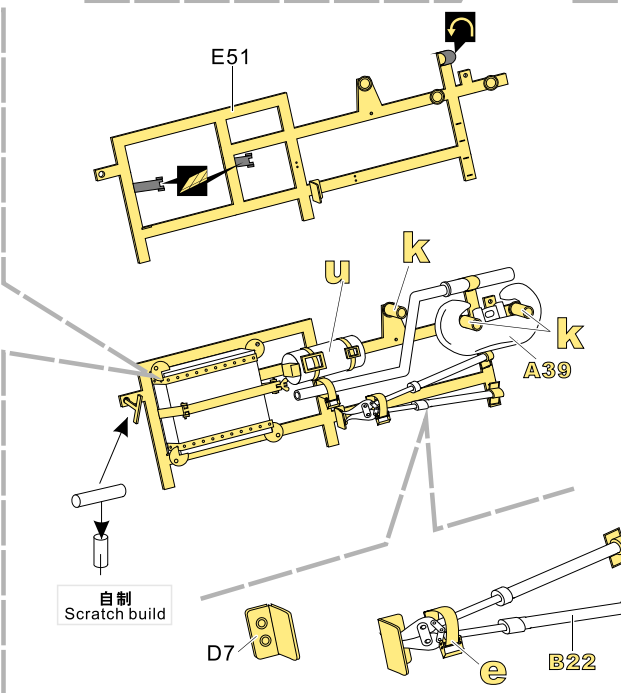
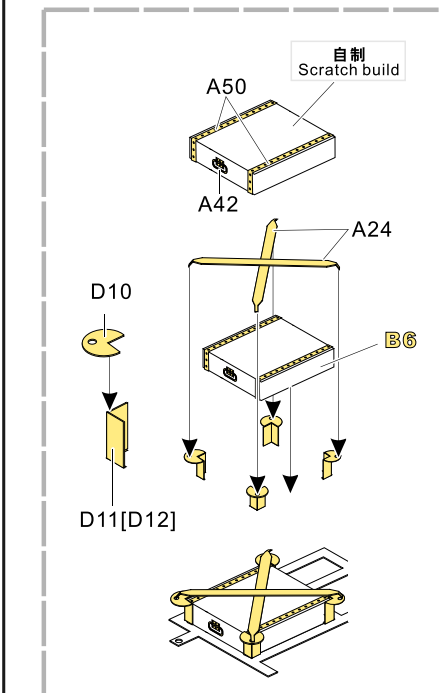
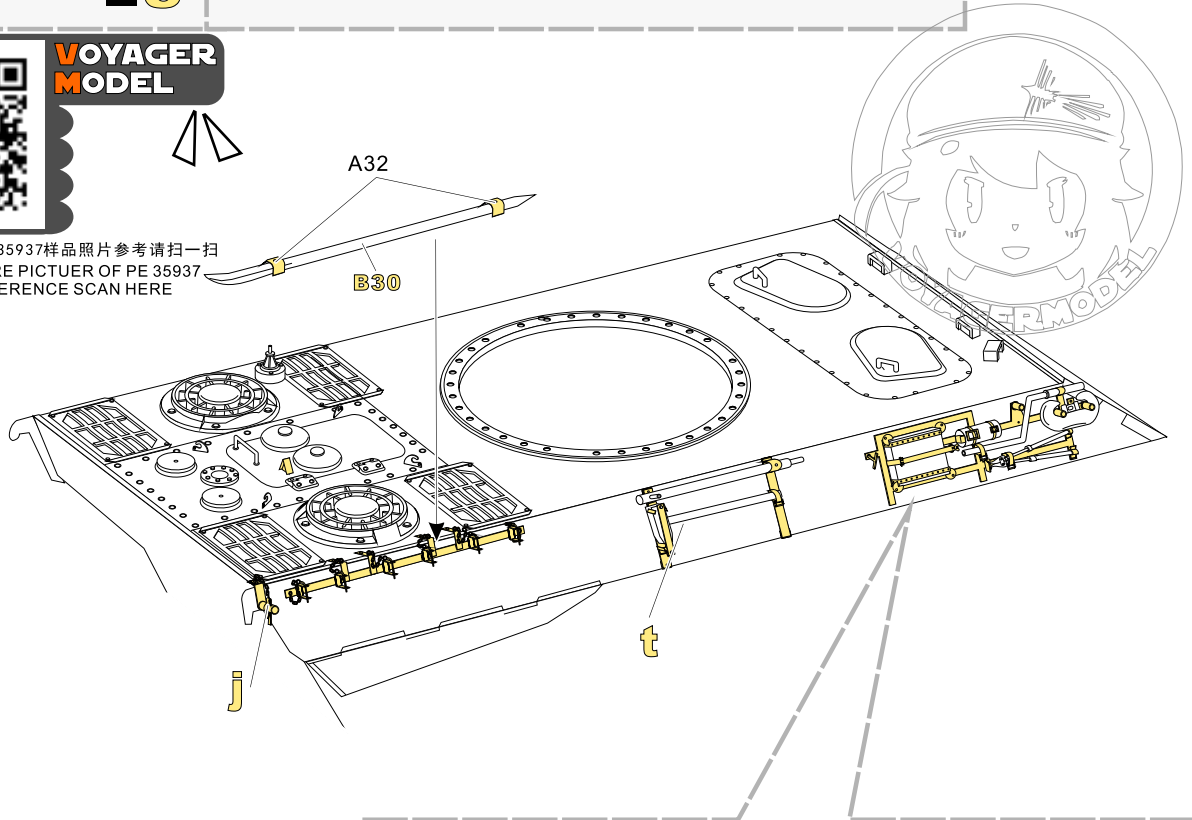
1/35 MILITARY MINIATURE VEHICLE UPGRADE SERIES PE35937



**VOYAGER
MODEL**



更多PE35937样品照片参考请扫一扫
MORE PICTUER OF PE 35937
REFERENCE SCAN HERE



1/35 MILITARY MINIATURE VEHICLE UPGRADE SERIES PE35937

