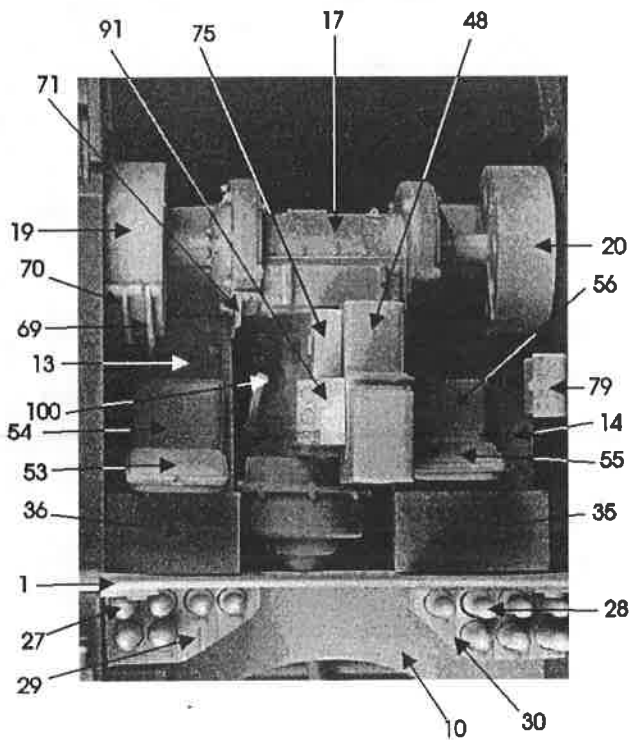


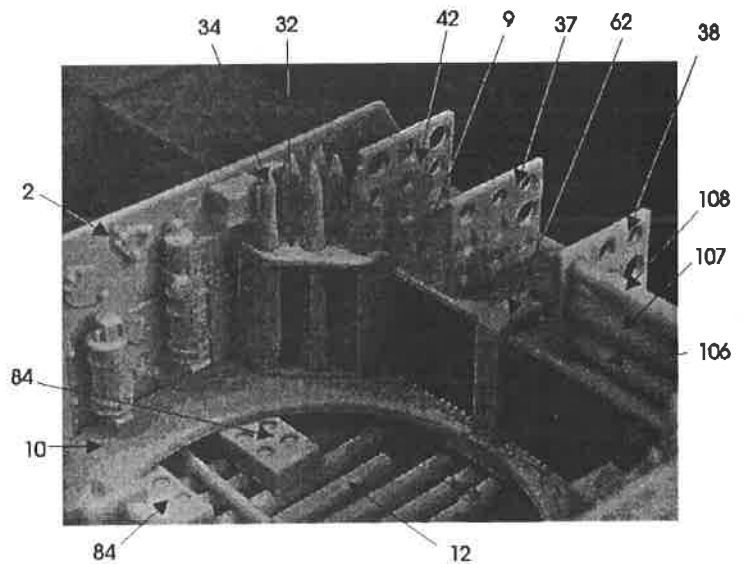
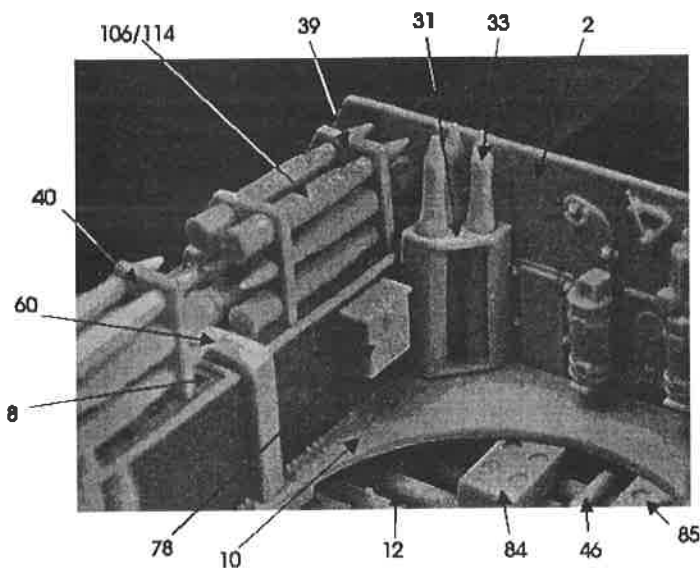
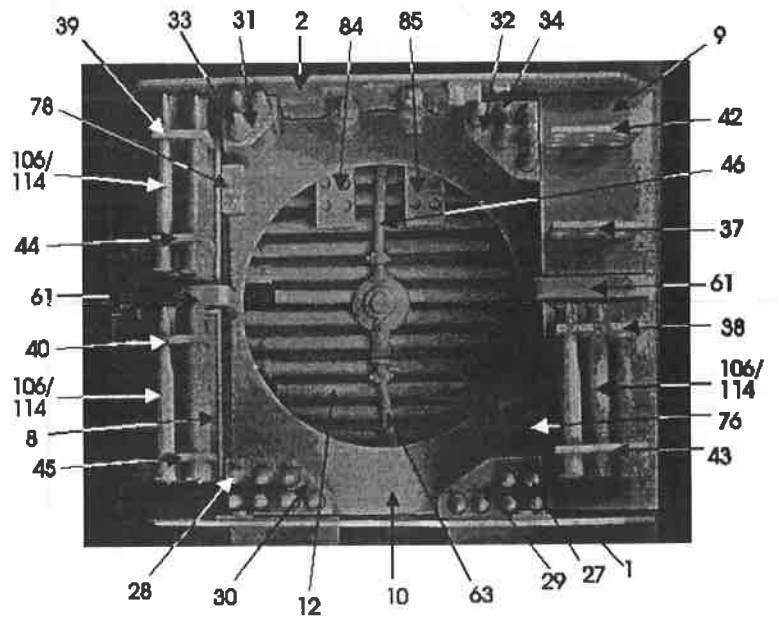
GENERAL INSTRUCTIONS

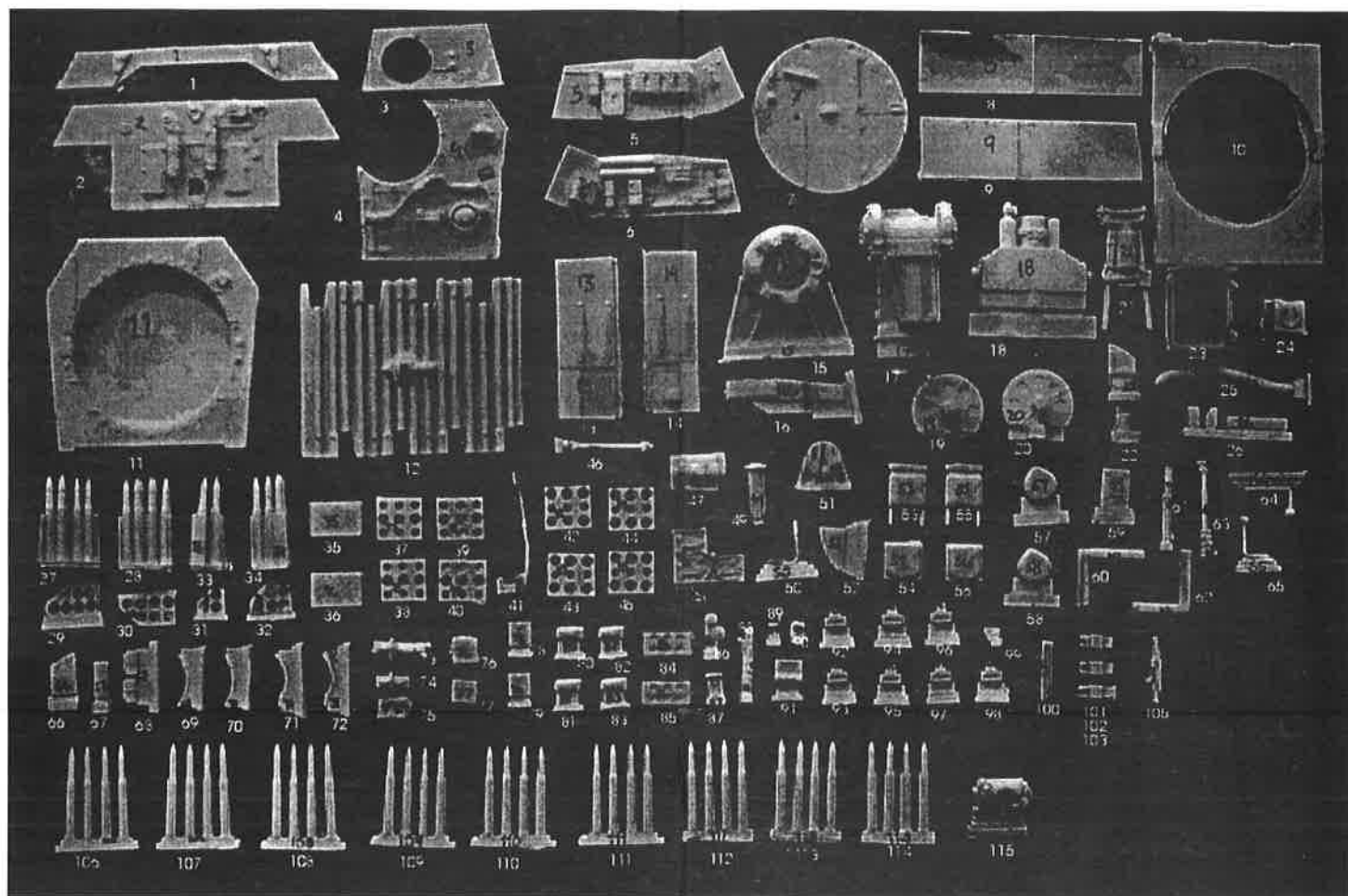
Read through the instructions and check to be sure all the parts are there. Resin parts usually have a "sprue" or runner that needs to be removed. In most cases, it can be easily snapped off. Slight scoring with a hobby knife along the parting line will help. A razor saw may be necessary for some of the larger sprues. Sometimes a pair of flush cutting nippers is useful for this job but care must be used here to avoid damaging the parts. It is always better to remove too little than too much! Final trimming can be done with a hobby knife, small files and sandpaper. Where a flat mating surface is desired, it's a good idea to tape a piece of 240 or 360 grit sandpaper to flat surface and draw the part carefully along the sandpaper in one direction only. Frequently inspect the part to check progress.

Cyanoacrylate "super glues" are ideal for assembling resin kits. Be sure to wash all parts in soapy water or alcohol to remove any mold residue before assembly or painting. Occasionally you may find some warpage on resin parts. This problem can be remedied by immersing in hot water and bending to the proper shape. Handle the hot parts carefully! The shape can be locked in by immediately plunging the part in cold water.



Trim the side ammo racks (37-40 & 42-45) at an angle to fit the contour of the inner hull. Be sure to use one A rack and one B rack for each complete rack.

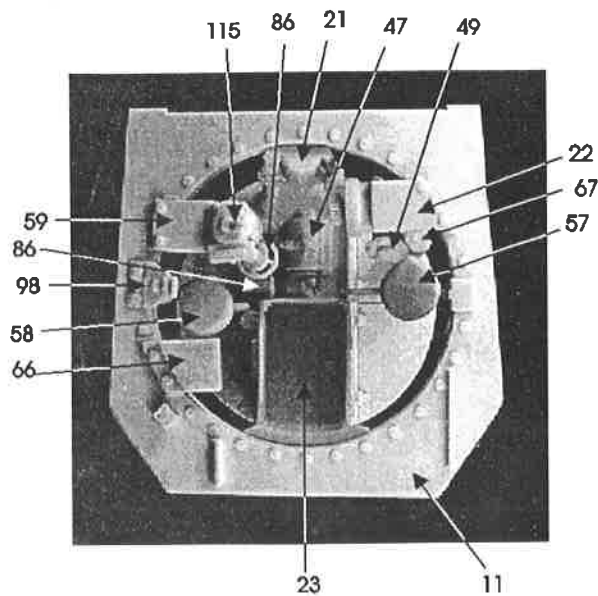
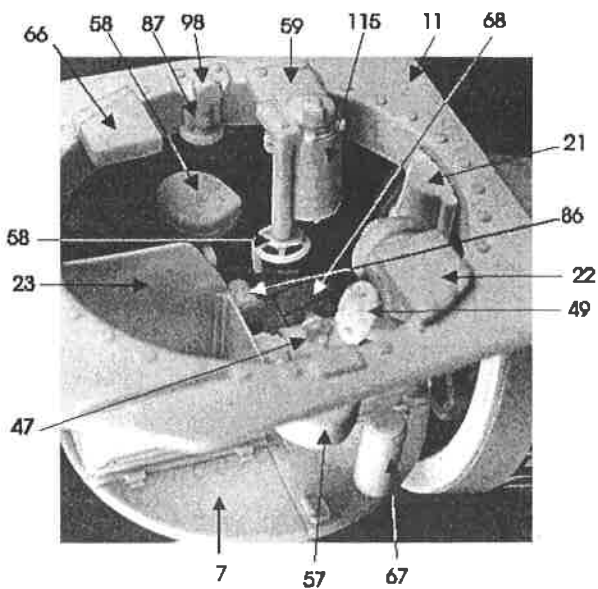




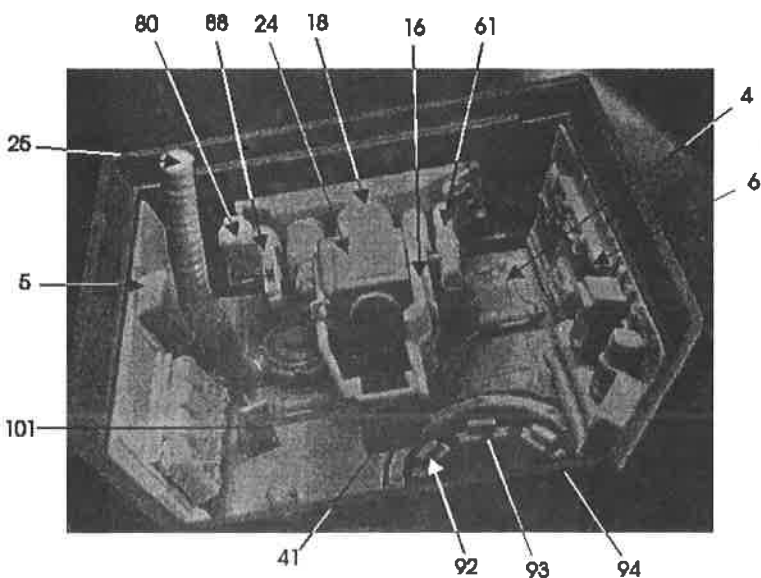
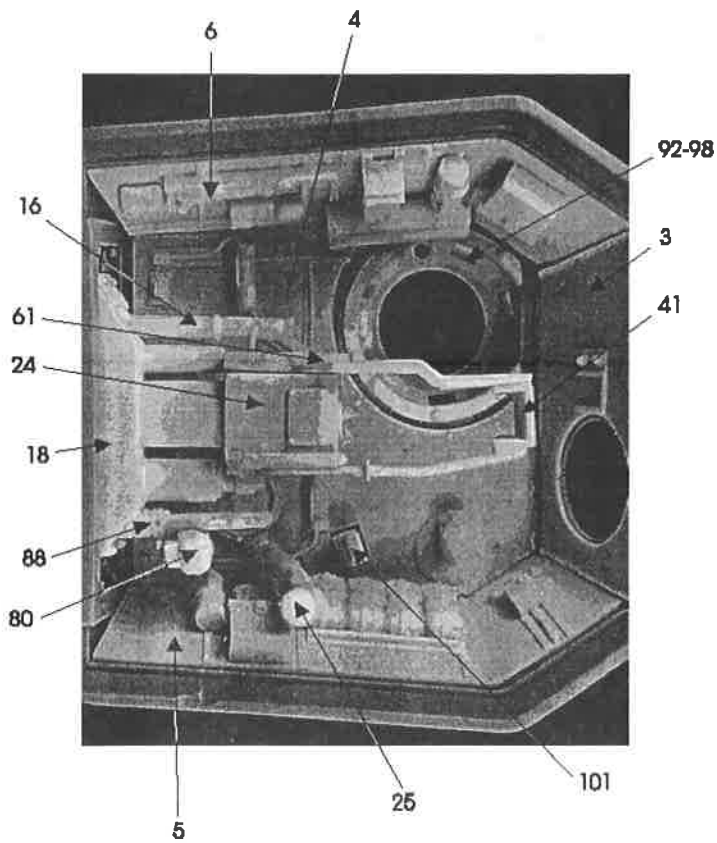
PARTS LIST

- | | | | | |
|---------------------------------|--------------------------|------------------------------|-------------------------------|----------------------------|
| 1. forward wall | 25. vent hose | 49. turret gear tube | 73. gunners traversing handle | 97. cupola periscope |
| 2. rear firewall | 26. floor support | 50. radio op. mg head rest | 74. elevation handle | 98. cupola periscope |
| 3. rear turret wall | 27. 6 round ammo rack | 51. mg hull portal plate | 75. driver's gauge panel A | 99. upper turret lock |
| 4. turret roof | 28. 7 round ammo rack | 52. elevation gear | 76. med. stowage box | 100. gear shift handle |
| 5. right turret wall | 29. 6 hole ammo rack top | 53. seat back, driver | 77. med. stowage box | 101. turret roof periscope |
| 6. left turret wall | 30. 7 hole ammo rack top | 54. seat bottom, driver | 78. small stowage box | 102. driver periscope |
| 7. turret basket floor | 31. 3 hole ammo rack top | 55. seat back, radio op. | 79. small stowage box | 103. radio op. periscope |
| 8. right ammo rack bottom | 32. 6 hole ammo rack top | 56. seat bottom radio op. | 80. brass bag | 105. mg for radio operator |
| 9. left ammo rack bottom | 33. 3 round ammo rack | 57. gunner seat | 81. brass bag | 106. 7.5 ammo |
| 10. floor | 34. 6 round ammo rack | 58. loader seat | 82. brass bag | 107. 7.5 ammo |
| 11. turret base | 35. lg. box right side | 59. turret gear drive mount | 83. brass bag | 108. 7.5 ammo |
| 12. torsion bars | 36. lg. box left side | 60. right floor brace | 84. floor block | 109. 7.5 ammo |
| 13. drivers floor | 37. side ammo rack A | 61. gunsight | 85. floor block | 110. 7.5 ammo |
| 14. radio operator's floor | 38. side ammo rack A | 62. left floor brace | 86. turret drive control | 111. 7.5 ammo |
| 15. cupola | 39. side ammo rack A | 63. front drive shaft | 87. lower turret lock | 112. 7.5 ammo |
| 16. gun protection brace | 40. side ammo rack A | 64. gunner seat mount | 88. mg for main gun | 113. 7.5 ammo |
| 17. transmission | 41. gun kicker plate | 65. loader seat mount | 89. box | 114. 7.5 ammo |
| 18. 7.5 gun | 42. side ammo rack B | 66. commander's stand | 90. box | 115. turret drive gear |
| 19. final drive-left side | 43. side ammo rack B | 67. turret floor container | 91. driver's control panel | |
| 20. final drive-right side | 44. side ammo rack B | 68. gunner's foot pedals (2) | 92. cupola periscope | |
| 21. turret basket floor support | 45. side ammo rack B | 69. brake handle A | 93. cupola periscope | |
| 22. gun drive gear | 46. rear drive shaft | 70. brake handle A | 94. cupola periscope | |
| 23. turret basket bin | 47. turret drive motor | 71. brake handle B | 95. cupola periscope | |
| 24. breech | 48. radio | 72. brake handle B | 96. cupola periscope | |

Master by Trevor Hensley



Glue the elevation gear (52) to the bottom of the breech (24) in line with the gear on the gun gear drive (22). Glue the elevation handle to a piece of plastic rod cut to length (not included) and attach to the turret gear drive (115) horizontally across to the gun gear drive (22).



Install driver and radio operator periscopes (102 & 103) to inside of hull.

