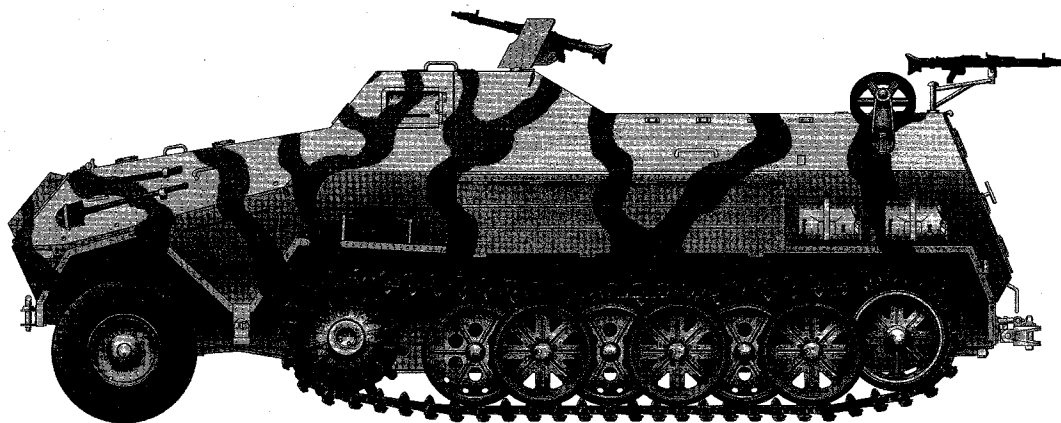


German Sd.Kfz.8 DB10 Gepanzerte 12t

德国12吨DB10装甲牵引车



READ BEFORE ASSEMBLY:

- Study and understand these instructions thoroughly before beginning assembly
- When needed, remove photo-etch parts carefully using a modeling knife or photo etch sprue cutter, being careful not to damage or lose small parts.
- Take extra care in handling photo etch parts in order to avoid injury
- Apply instant cement sparingly to photo etch parts where instructed
- Tools recommended(not included in kit):Plastic and instant cements, sprue cutters,long nose pliers,modeling knife, small files, tweezers, pin vise & scissors. Soft cloth and sandpaper will also assist in construction
- Glue and paint are not included in the kit. Use plastic cement and hobby paints only. Color guide for purchasing paint is included in the kit.

装配之前仔细阅读

- 小心用模型锉刀锉平所有零件表面的注射浇口。
- 小心用刀片切下蚀刻片零件，不要遗失小零件。
- 用强力快干胶水粘合蚀刻片零件和金属轴。过量快干胶水使用可能导致可动零件会粘住，小心涂胶。
- 取蚀刻片时应特别注意安全，防止利边划伤手指。
- 某些零件表面需贴水上贴纸，请选择在装配的同时进行。
- 推荐模型工具(自备)：胶水，水口剪刀，长咀钳，刀片，锉刀，镊子，钳，钻，剪刀，瞬间快干胶。
- 软布同砂纸同时也应该是必备工具。
- 请使用塑料胶水和油漆，模型内不含。



配重
Weight



使用强力胶
Cyanoacrylate glue



钻孔
Make hole



切除
Cut / Remove



贴纸
Decal



锉平
File / Sand



选择
Option



不涂胶水
No cement



弯曲
Bend

水贴纸的使用:

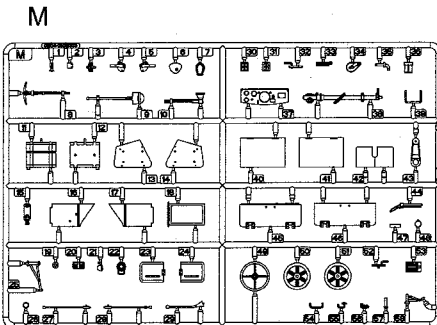
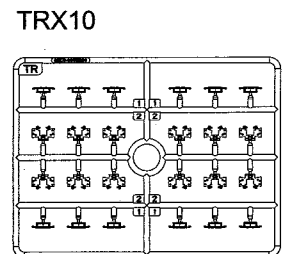
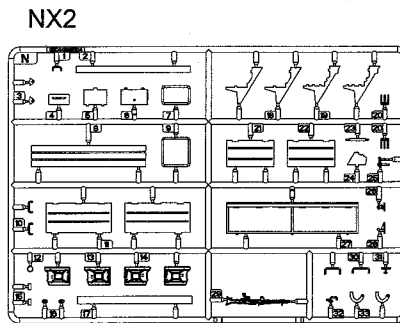
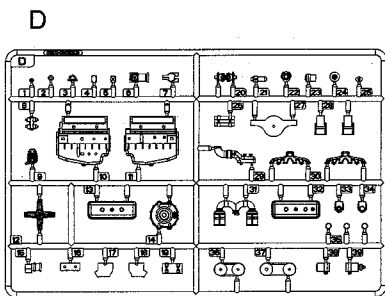
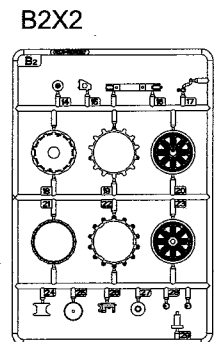
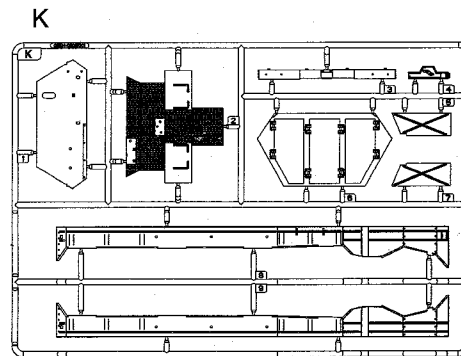
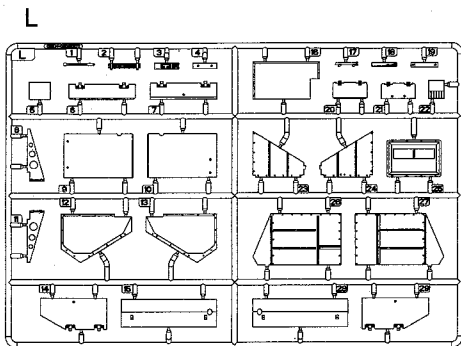
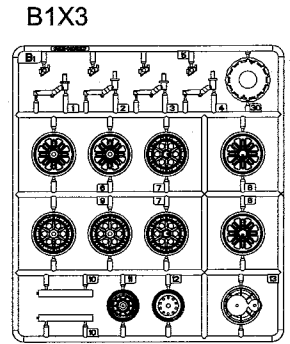
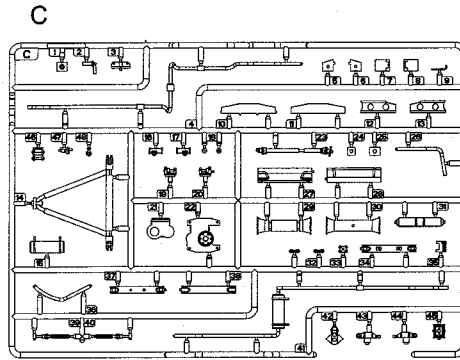
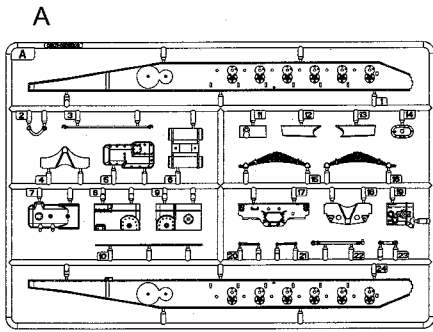
- 1.从水贴上剪下印花;
- 2.将印花放入温水中浸10秒, 然后放在干净布上。
- 3.拿着印花纸板将印花移到模型上;
- 4.手指蘸水将印花移到适当的位置;
- 5.用软布轻压印花直至水干, 气泡消失

DECAL APPLICATION

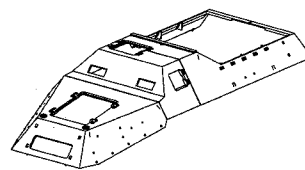
- 1.Cut decals from sheet as needed
- 2.Dip the decal in warm water for about 10 seconds and then place on soft clean cloth.
- 3.Hold the decal backing sheet edge and gently slide the decal onto the model in its proper position.

- 4.While still wet,decal can be adjusted for better fit on model by dampening it gently with your finger.
- 5.When placed in the proper position,gently press decal down with a soft cloth until excess water and air bubbles are gone.
- 6.Allow decal to dry completely before handling model

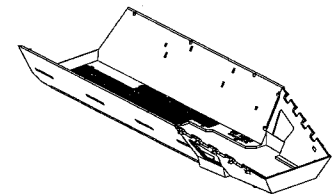
部品图
Parts



《车面》
Upper hull



《车底》
Lower hull



《轮胎1》X2
Tyre



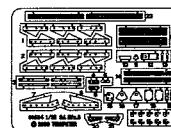
《轮胎2》X2
Tyre



《铜丝》: Ø0.6X100mm
Brass wires



《蚀刻片》
PE

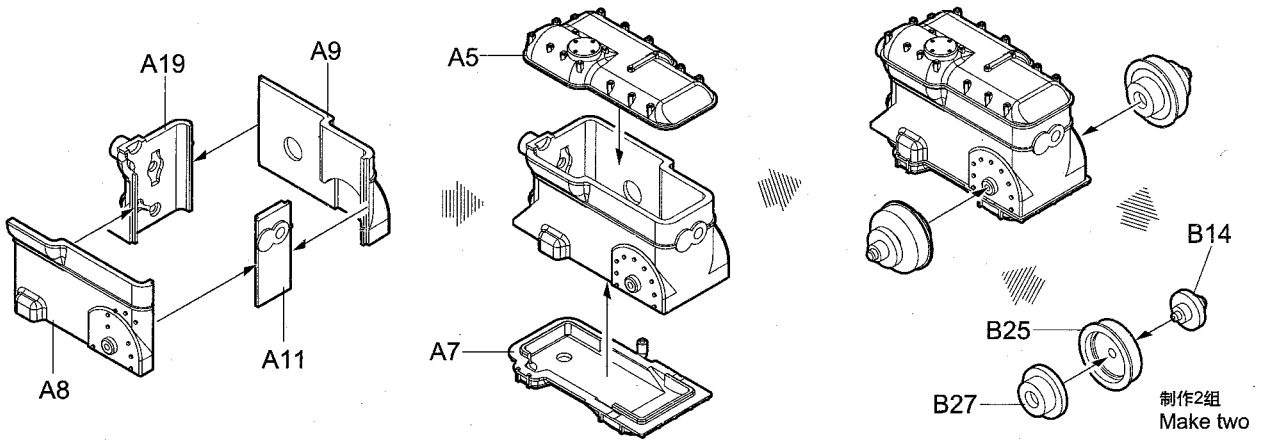


《水贴》
Decal

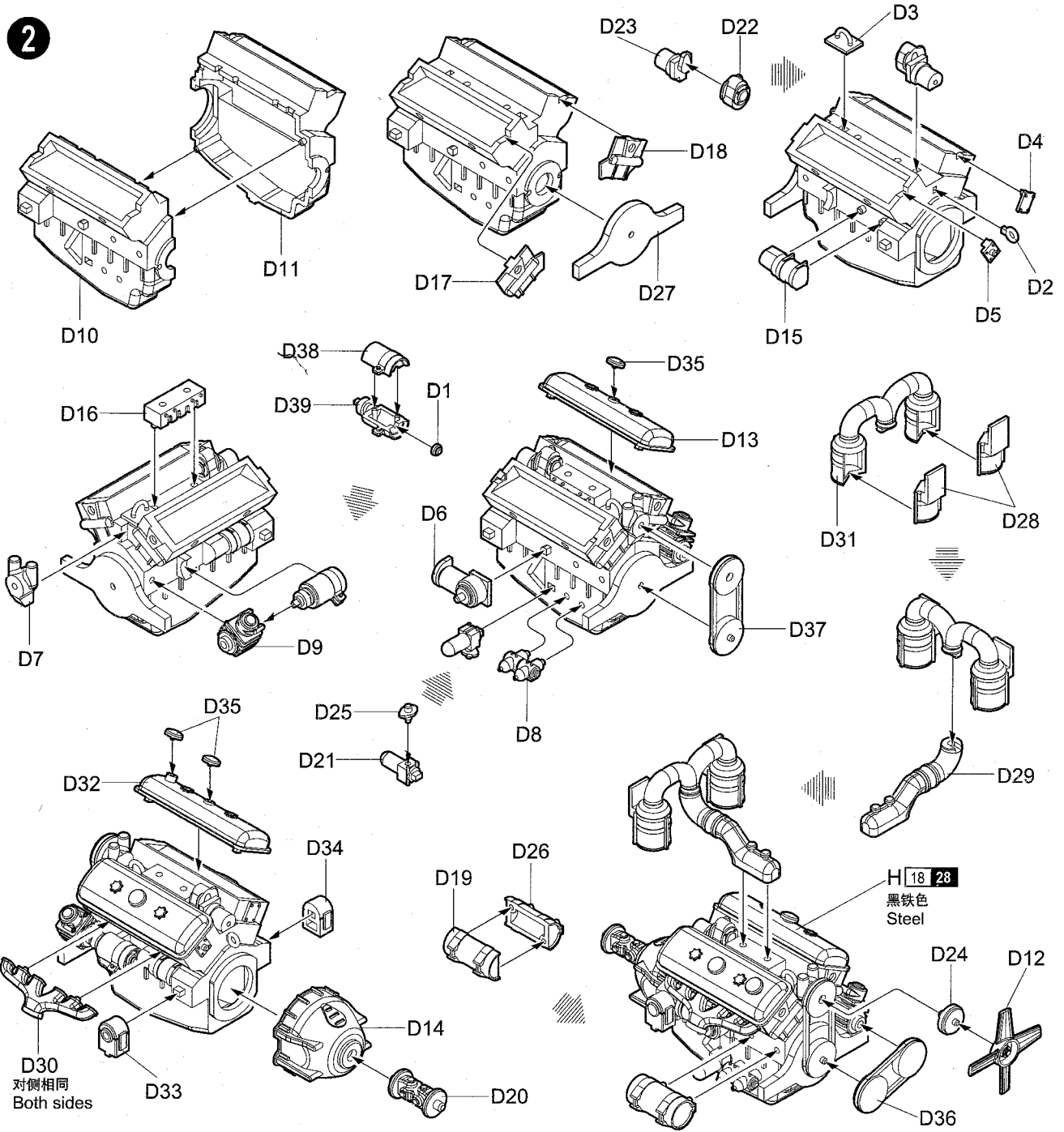


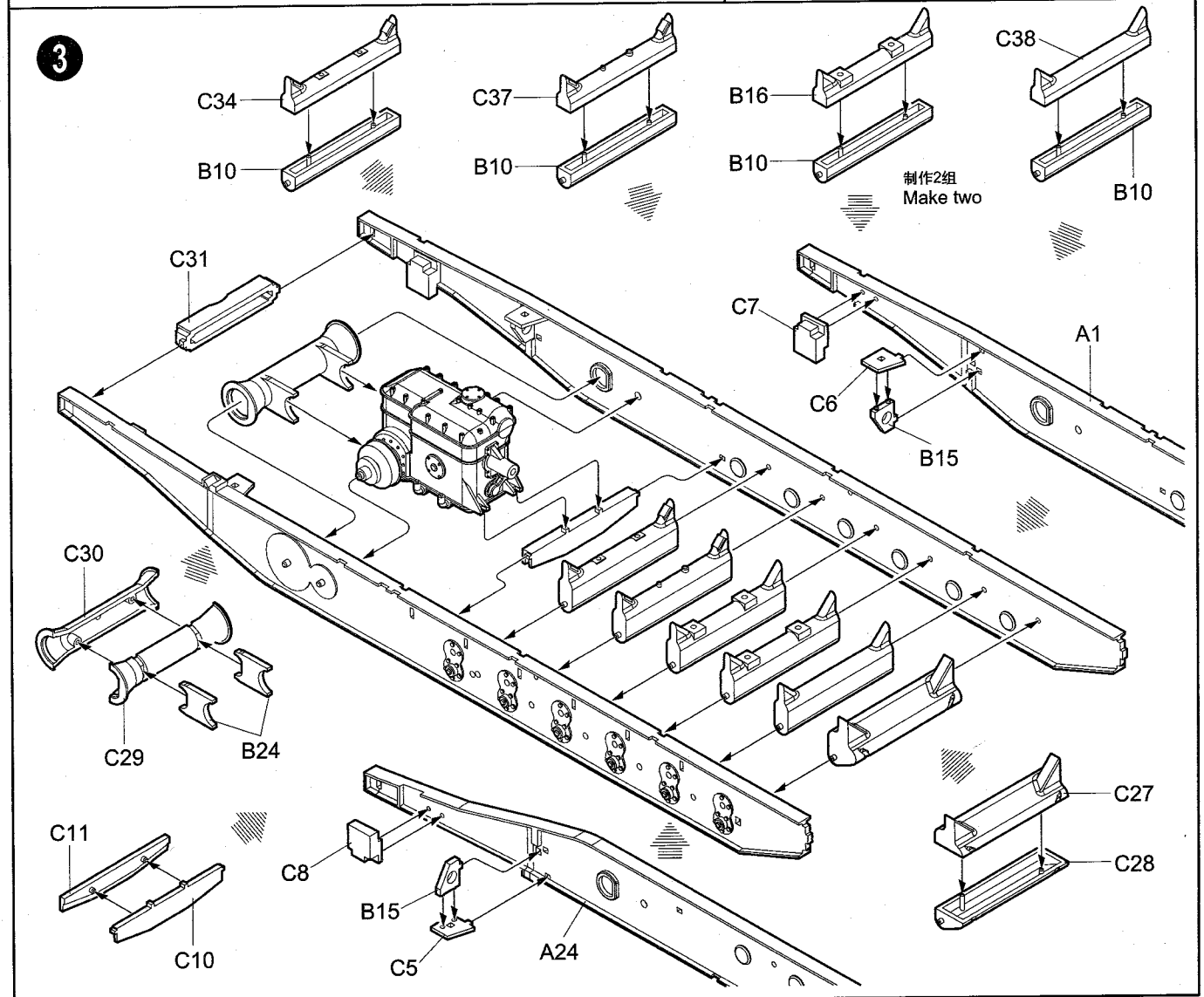
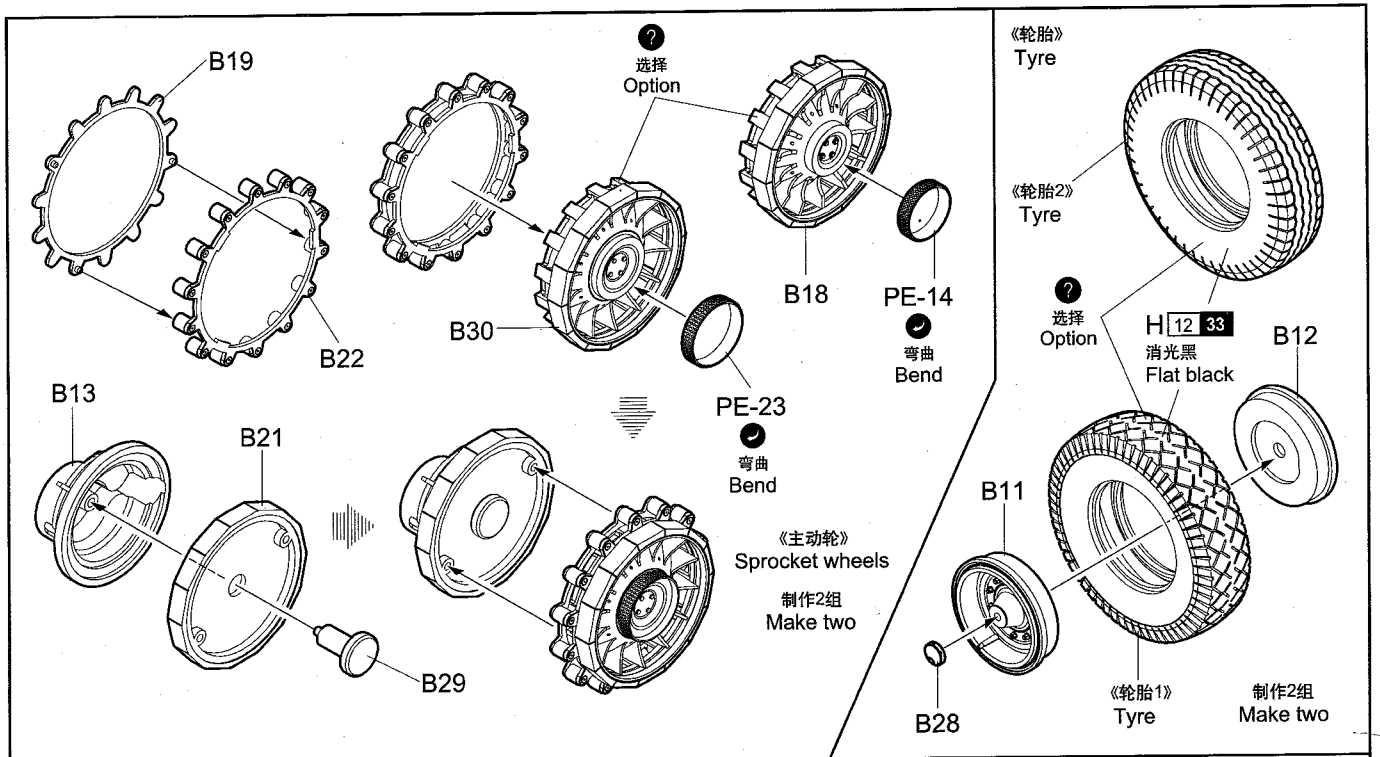
不用部品: C46
No used parts

1

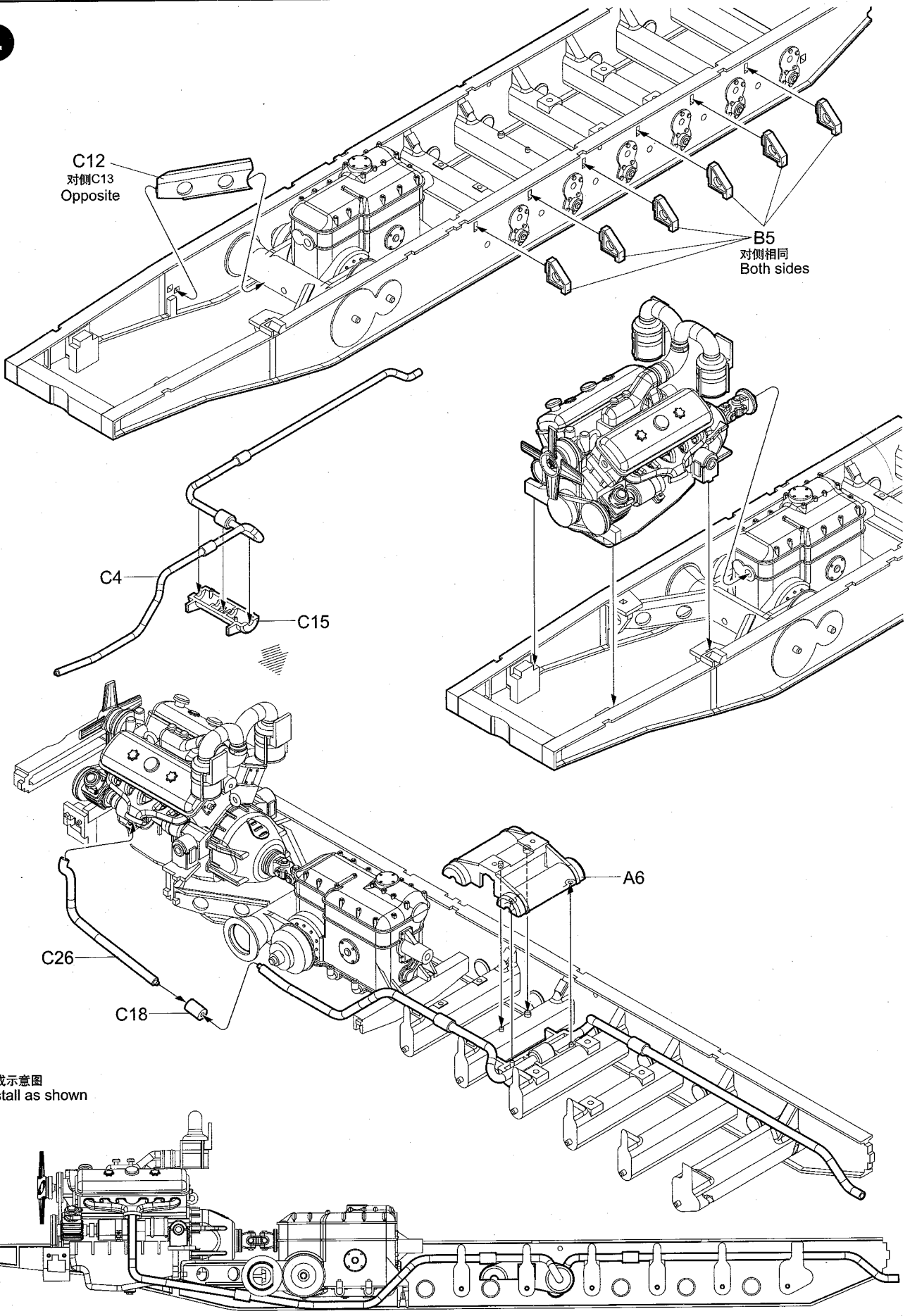


2



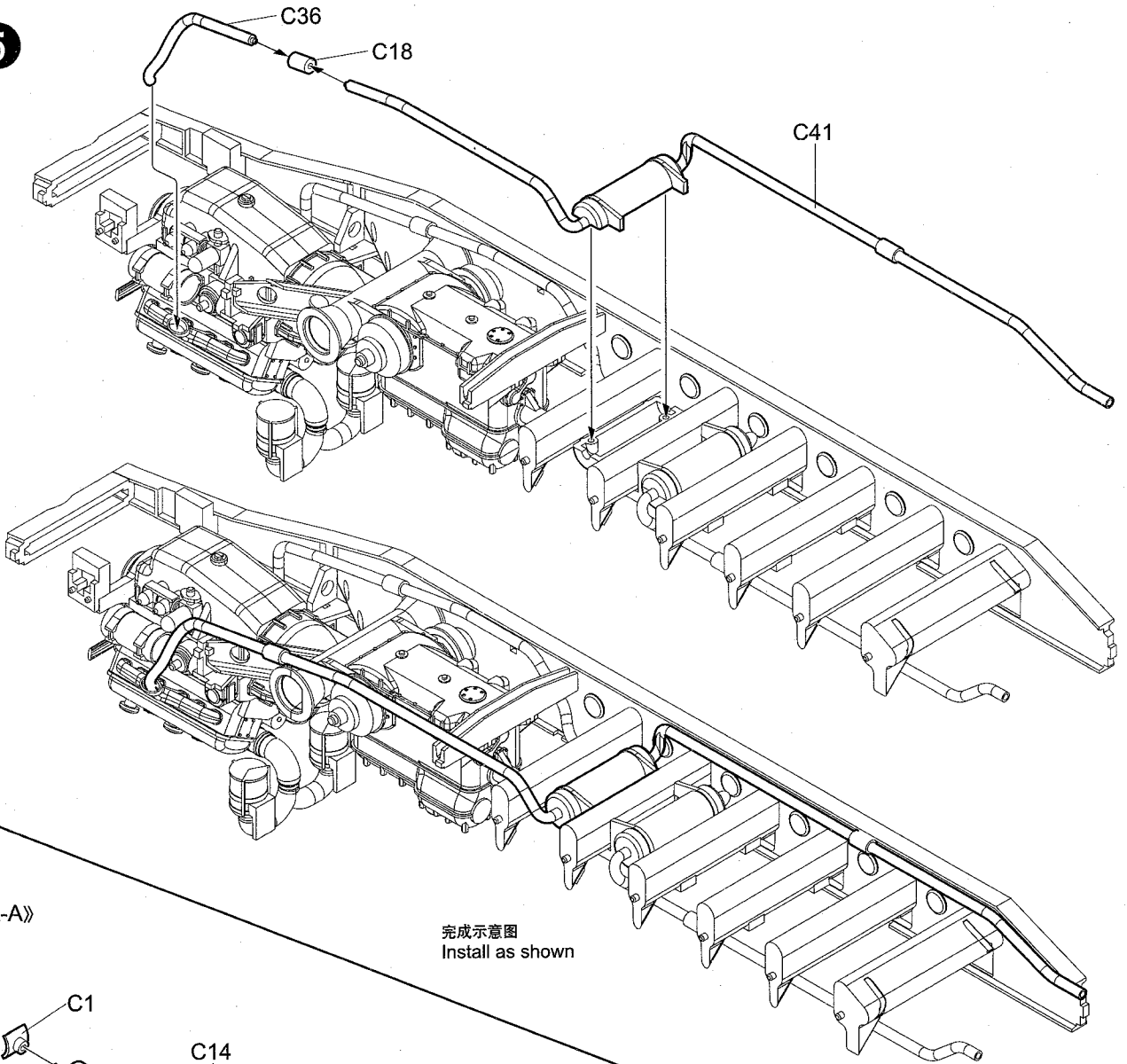


4



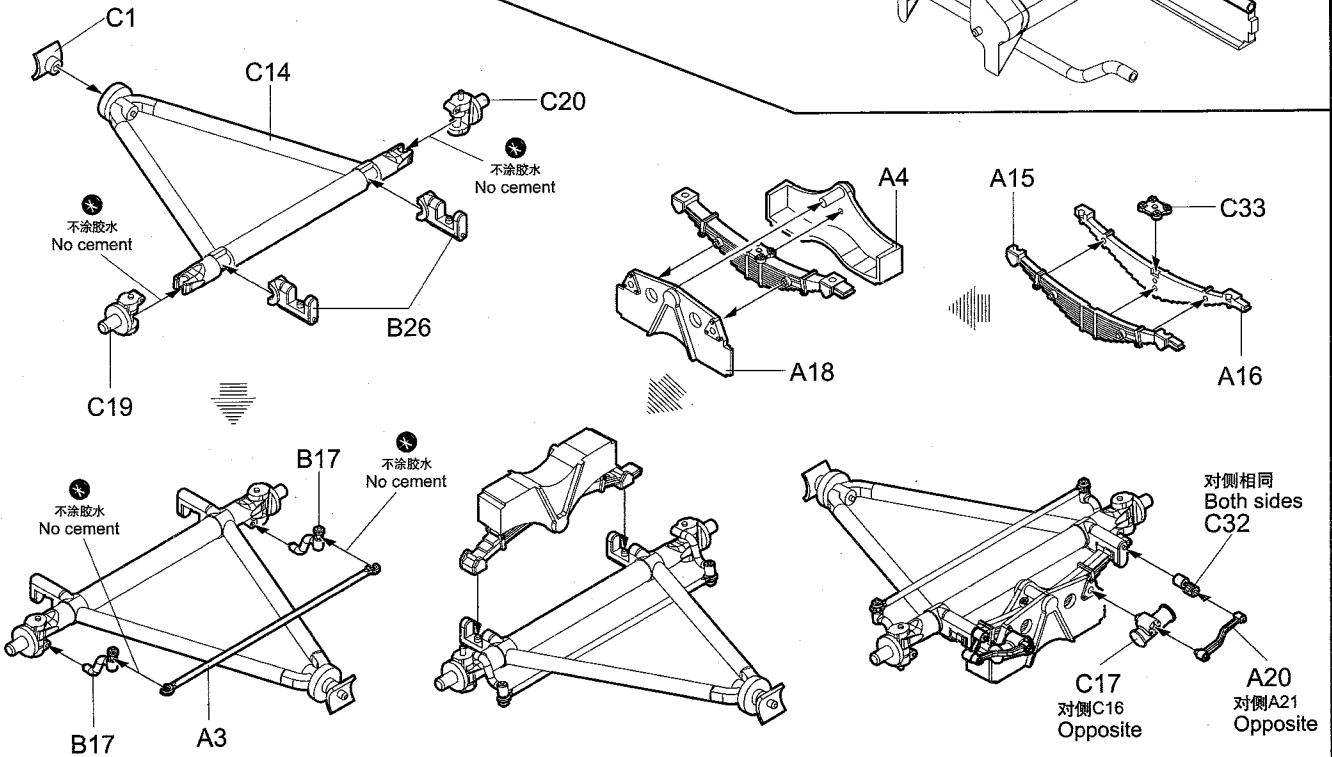
完成示意图
Install as shown

5

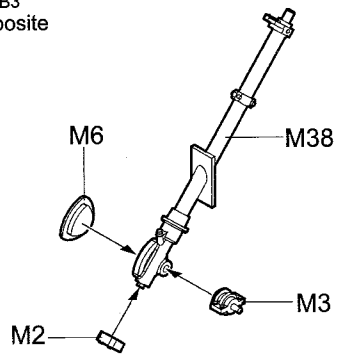
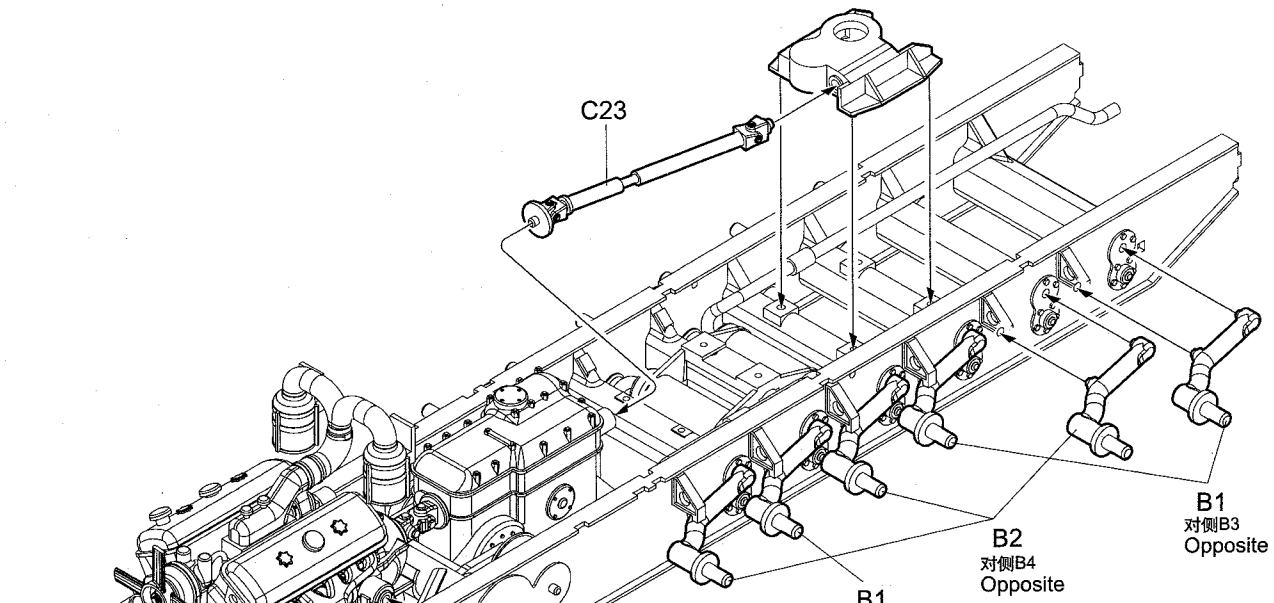
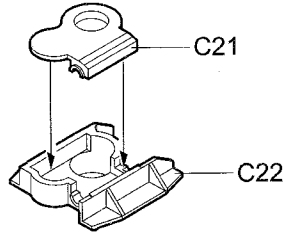
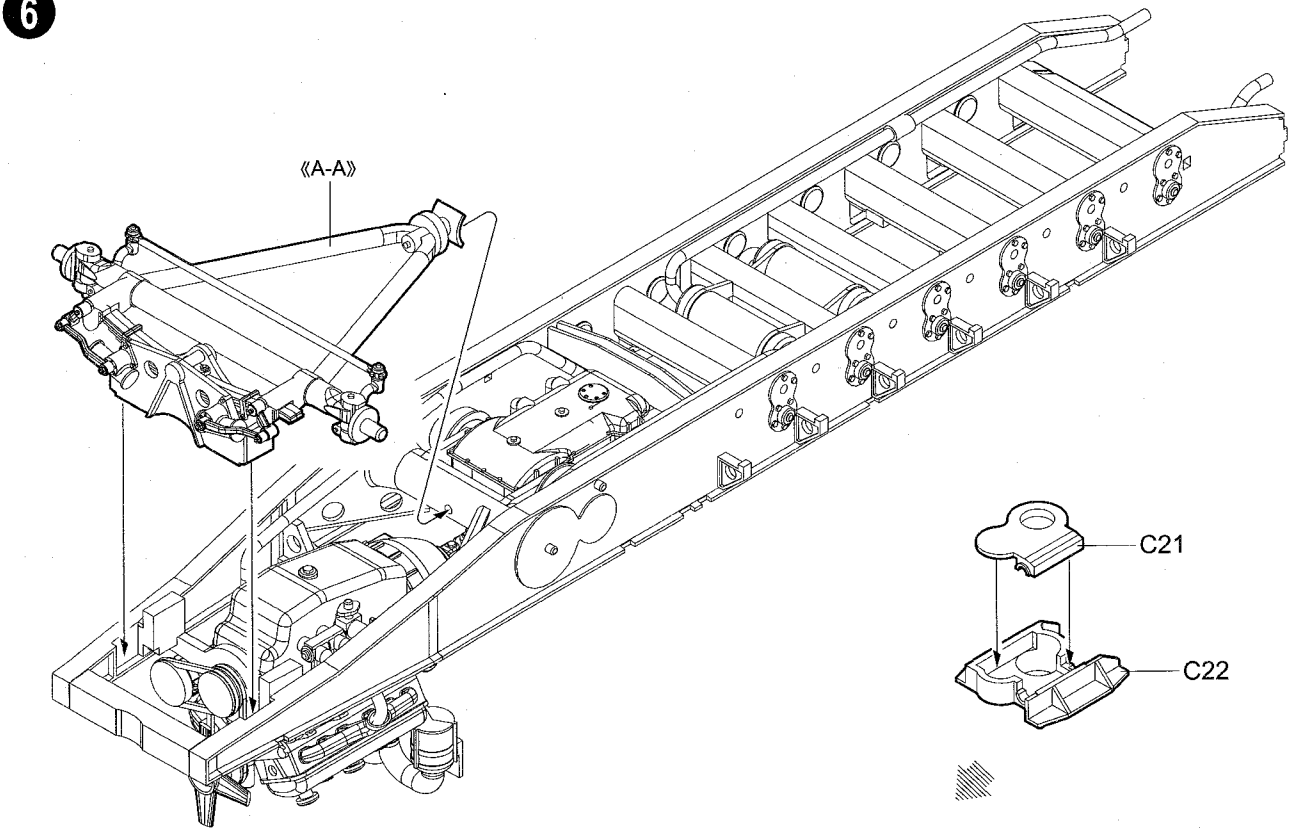


《A-A》

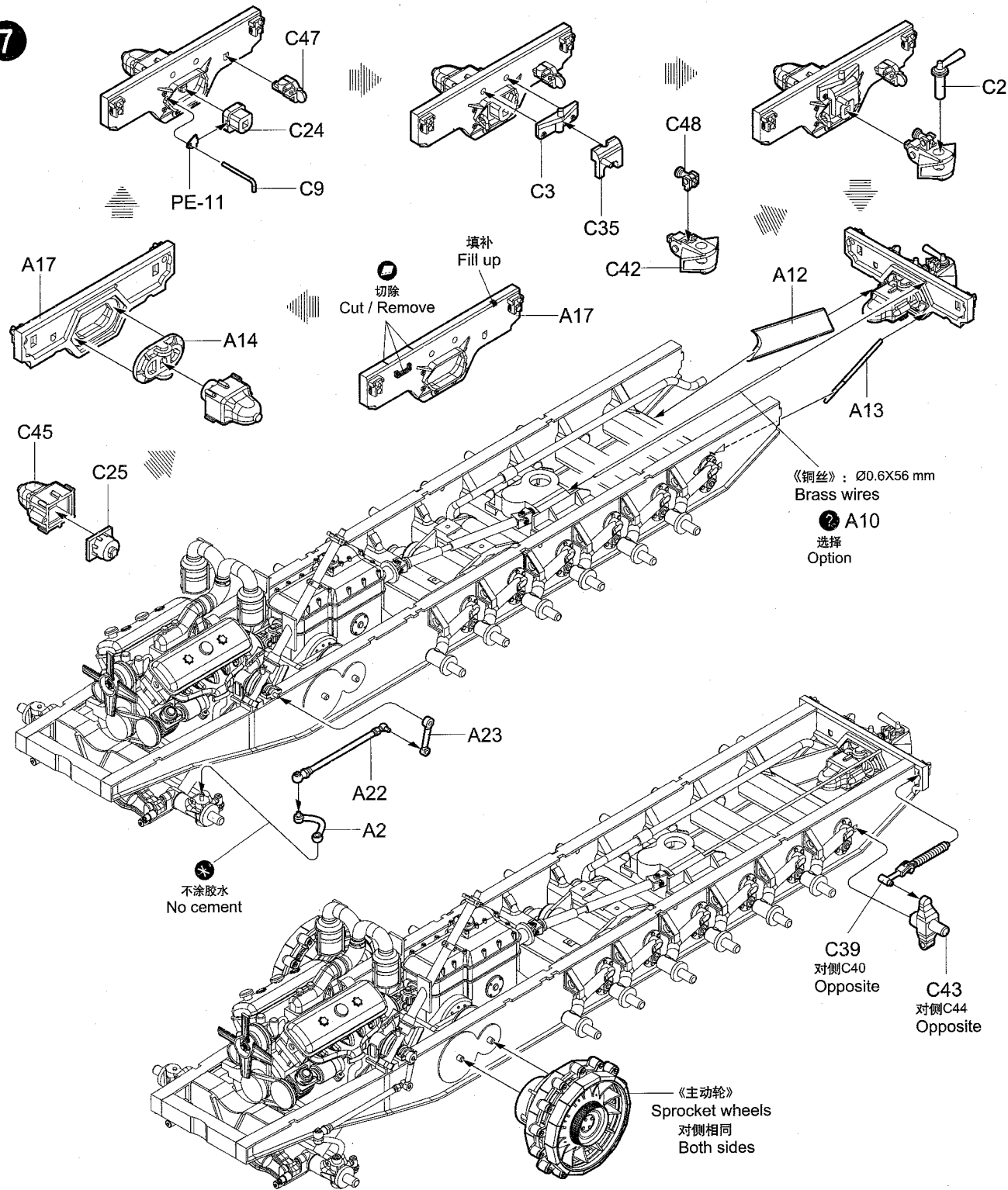
完成示意图
Install as shown



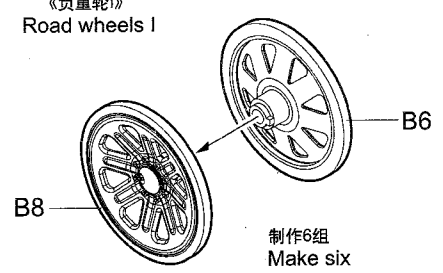
6



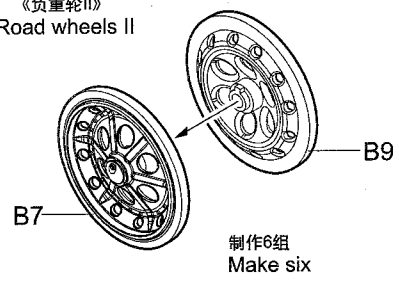
7



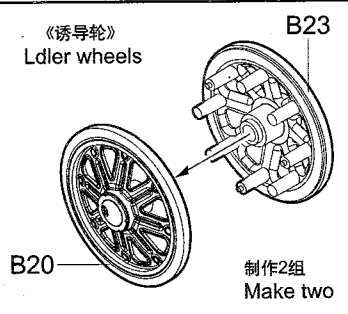
《负重轮 I》
Road wheels I

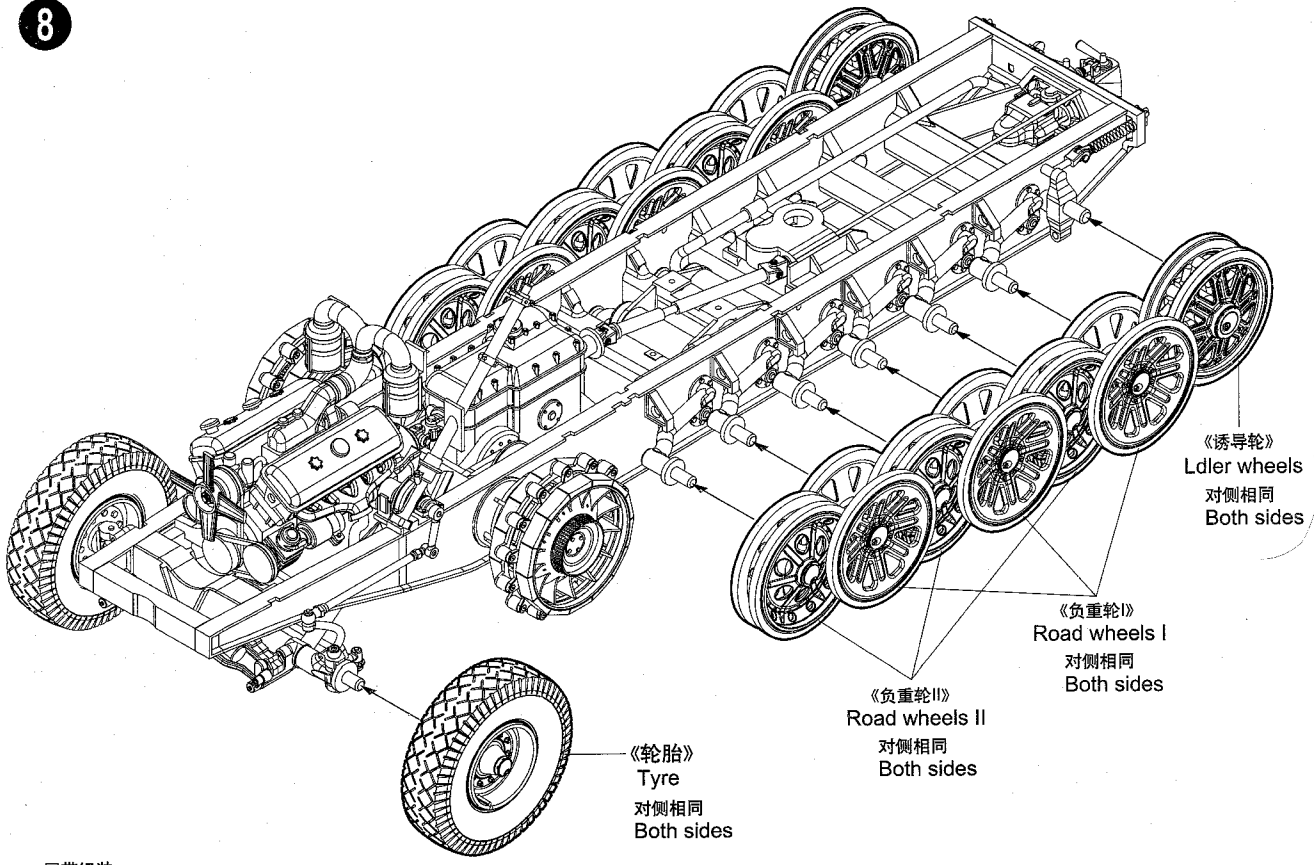


《负重轮 II》
Road wheels II



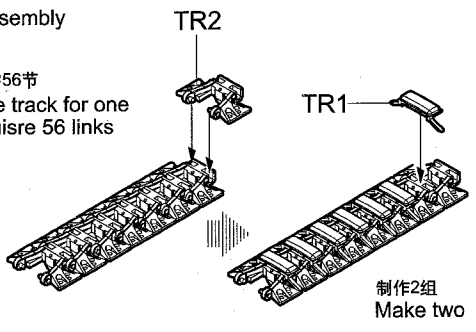
《诱导轮》
Idler wheels



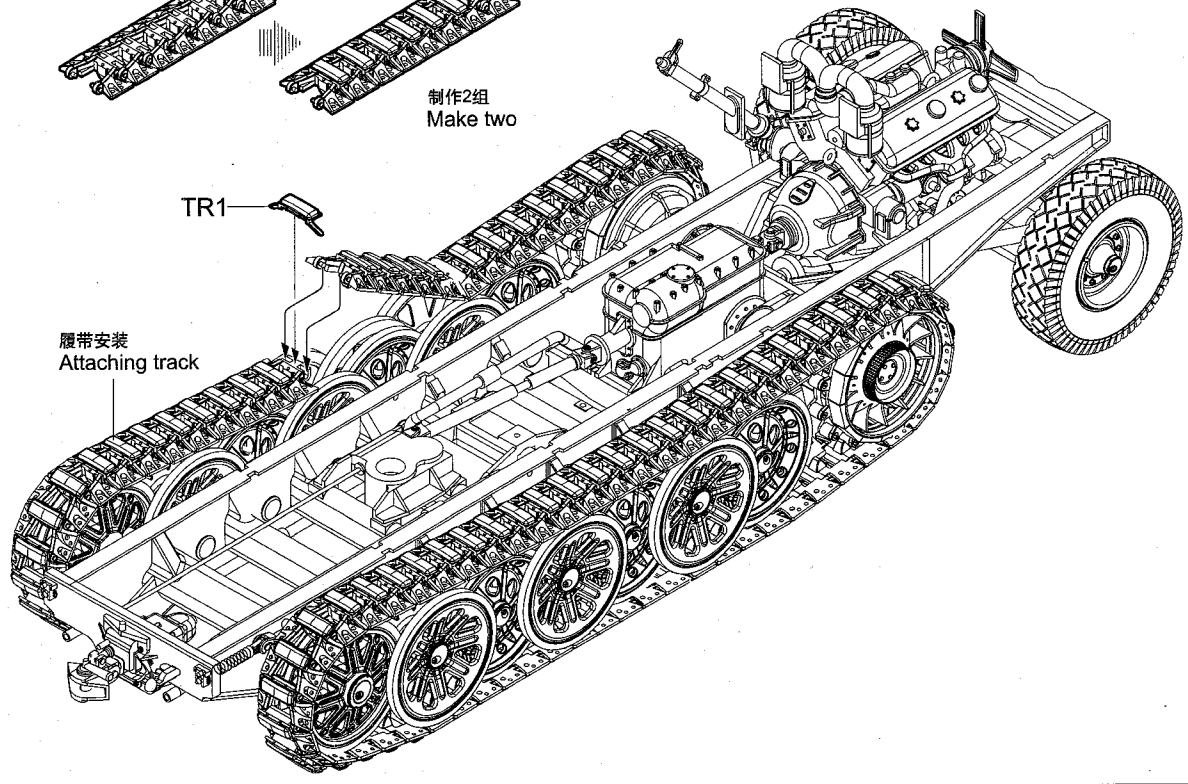


履带组装
Track assembly

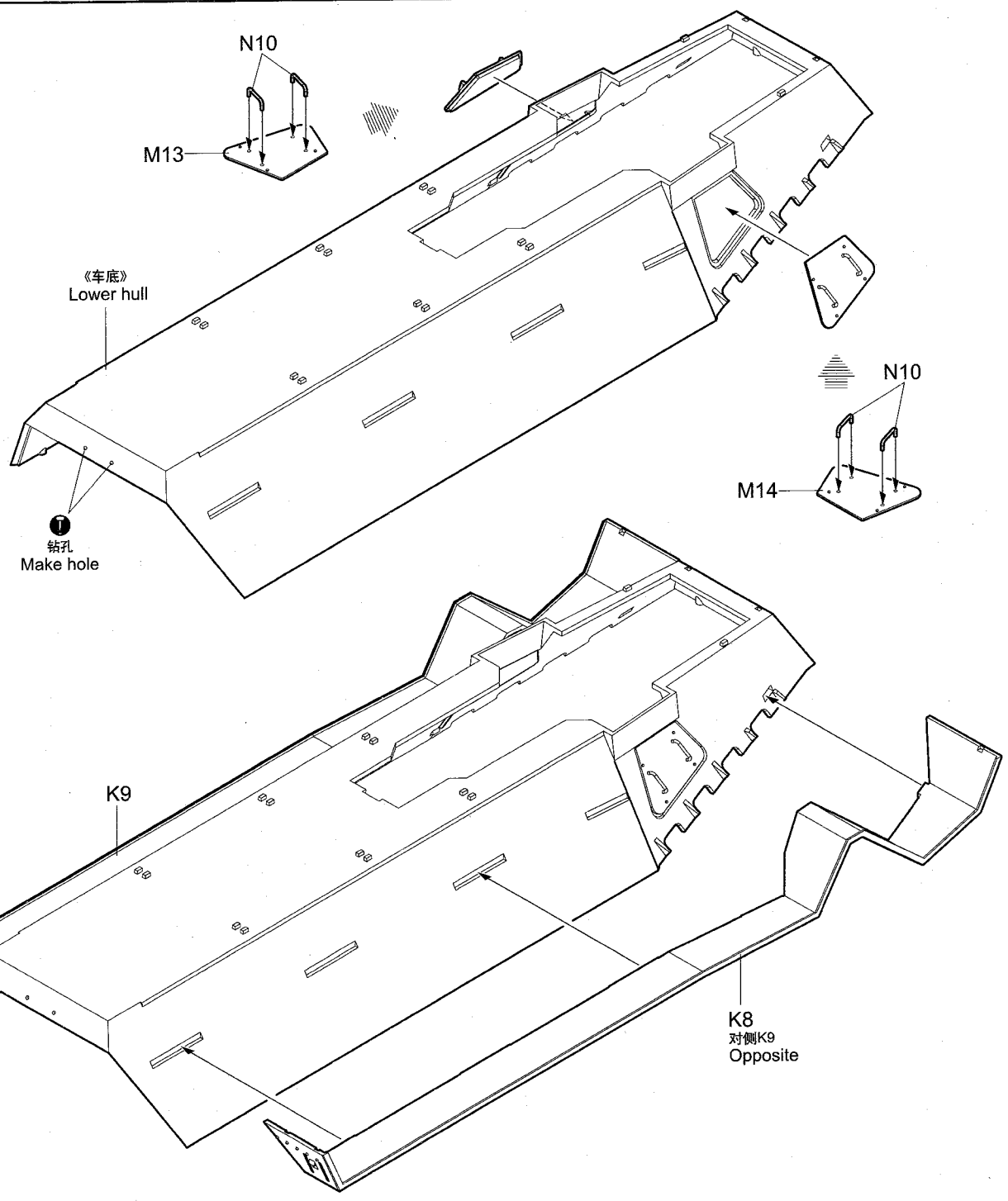
单侧履带需56节
Complete track for one
side require 56 links



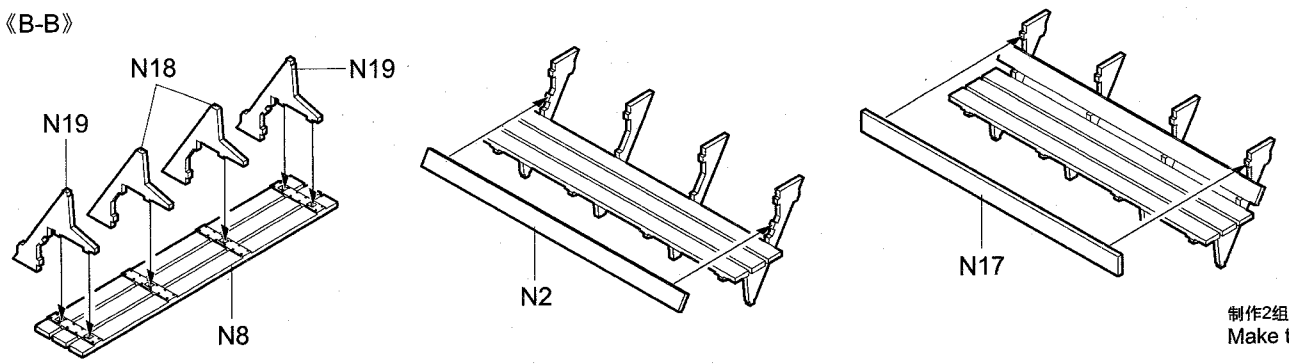
履带安装
Attaching track



9

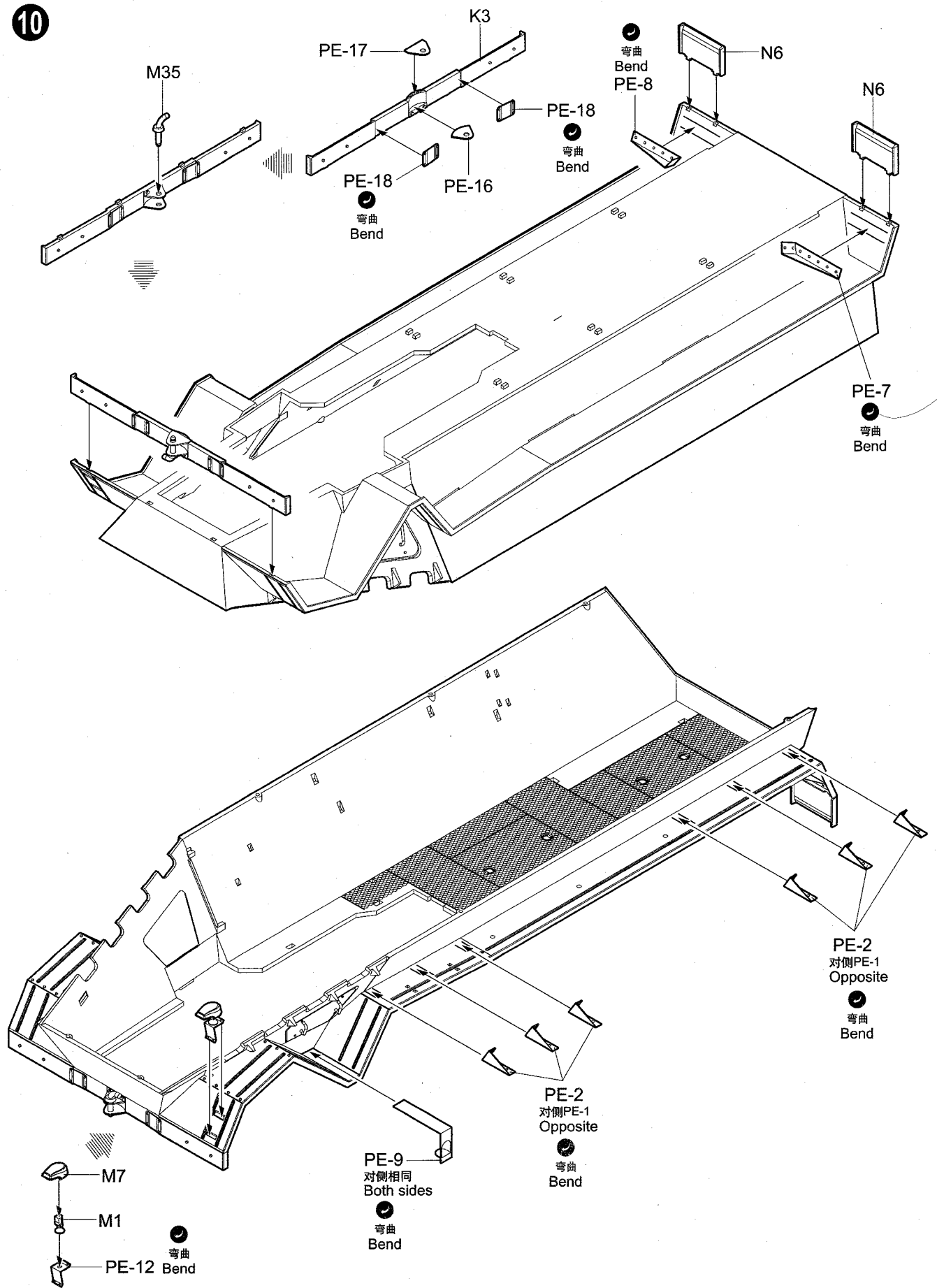


《B-B》

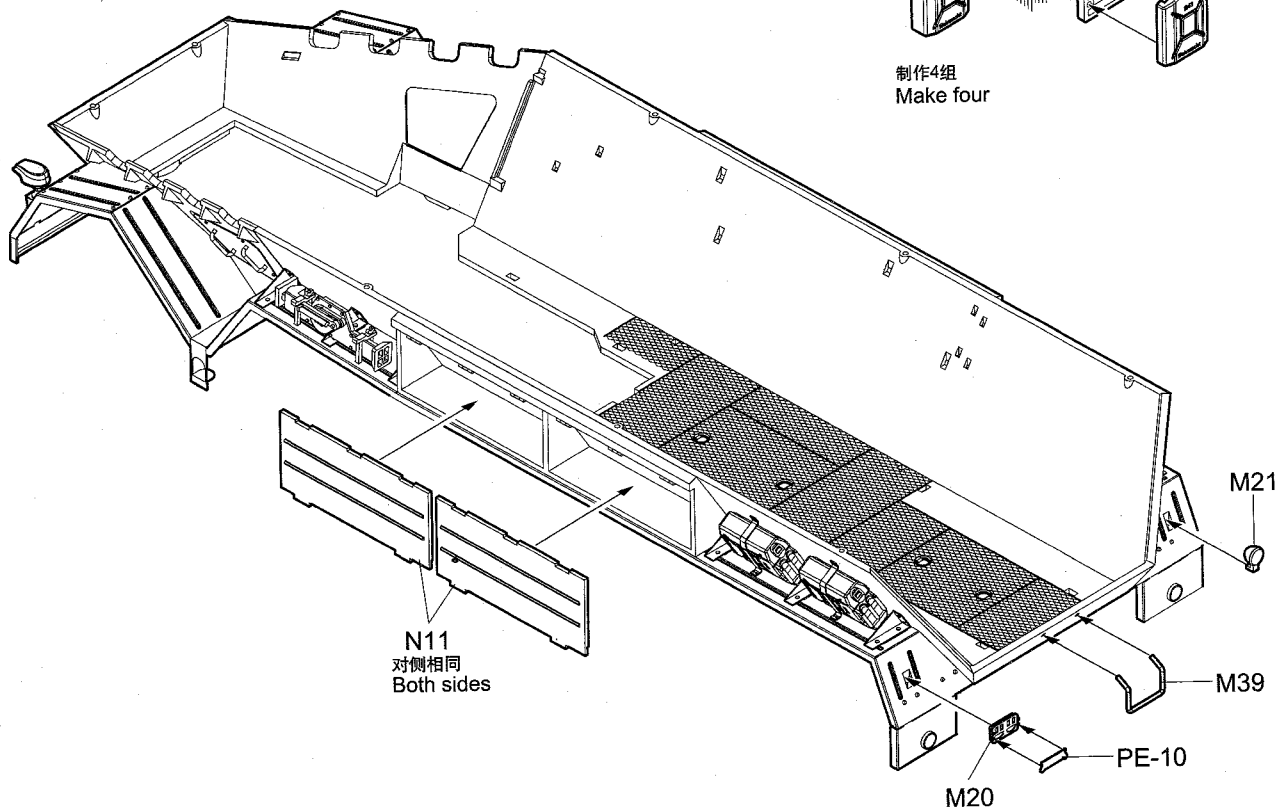
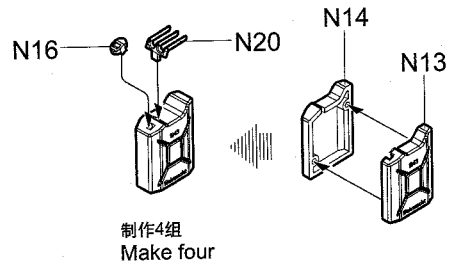
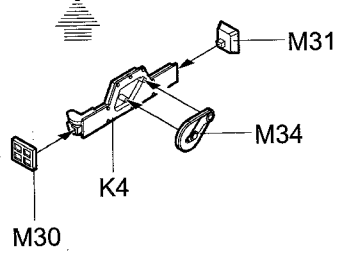
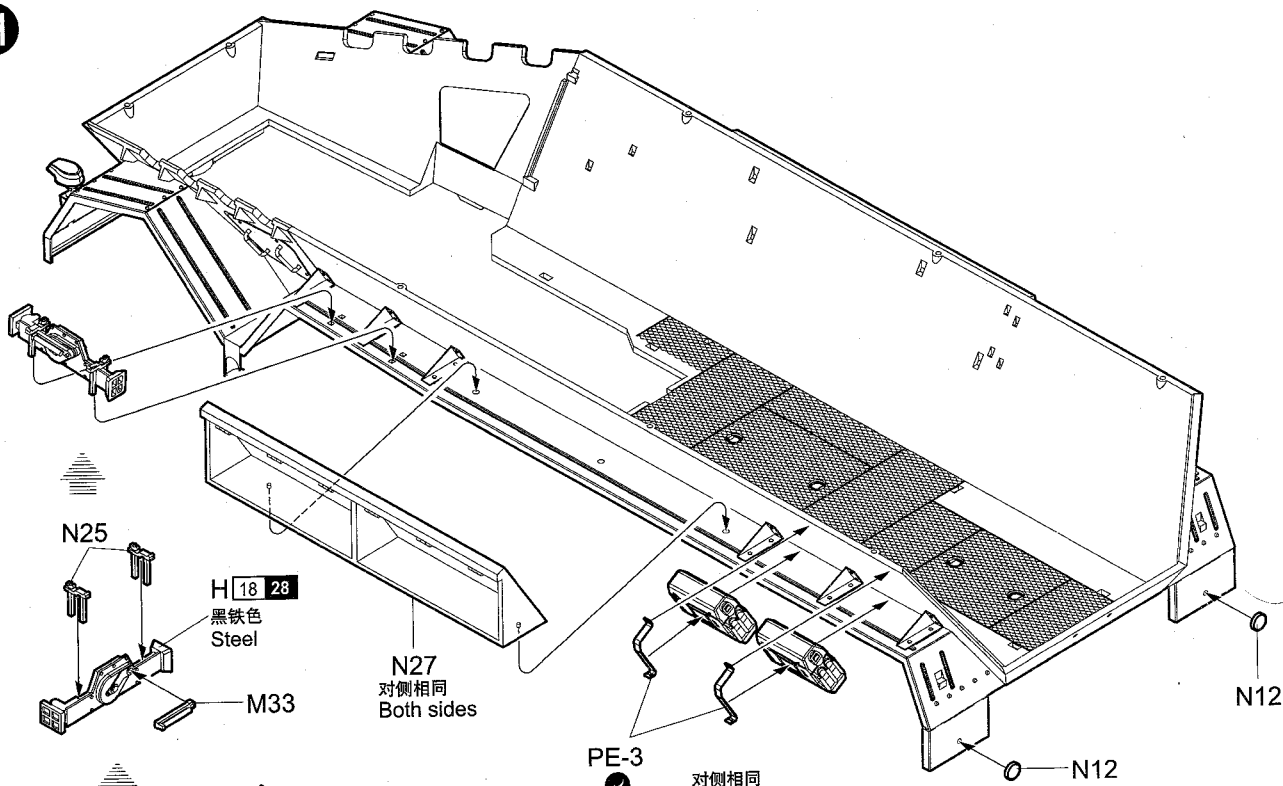


制作2组
Make two

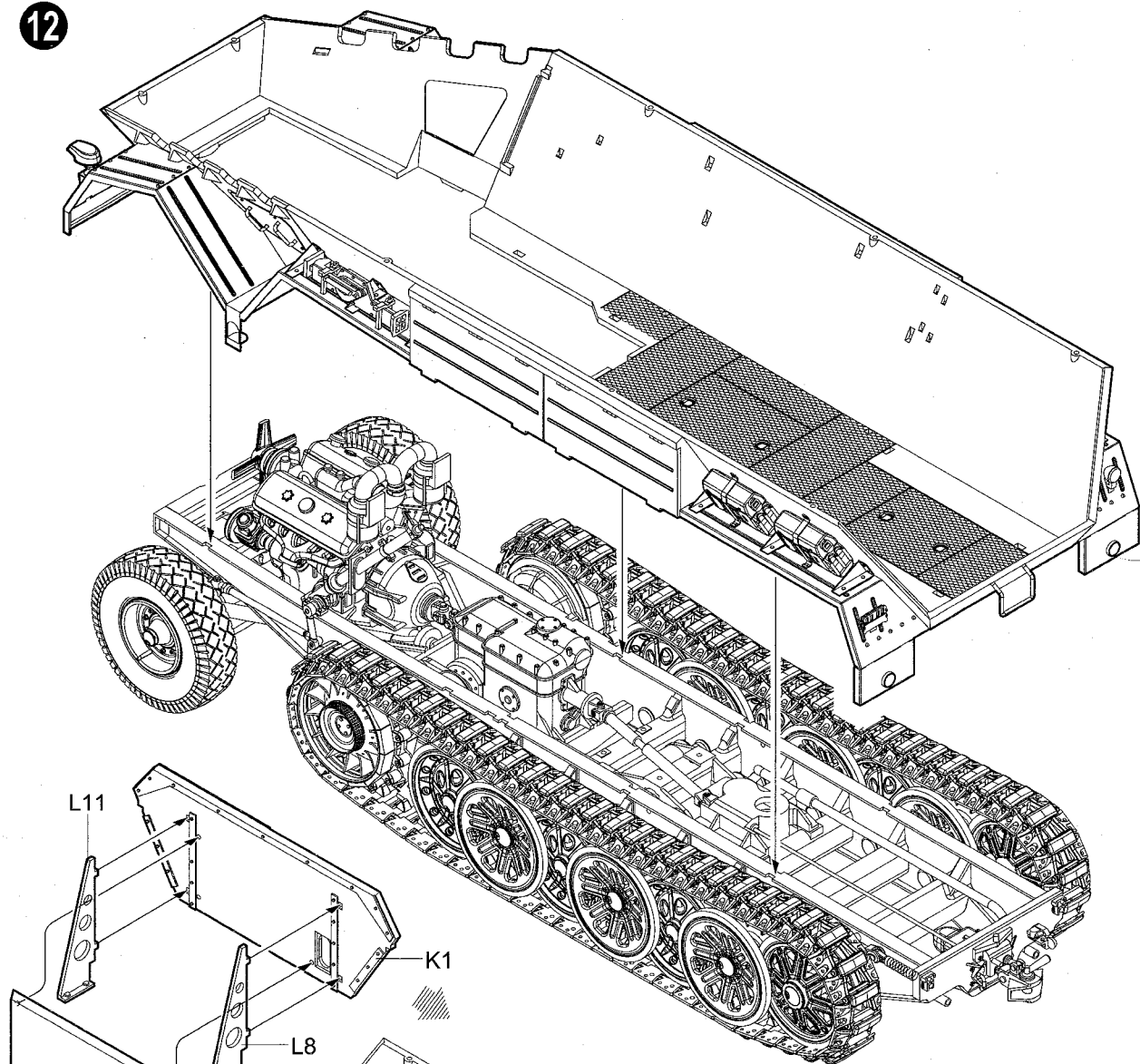
10



11



12



L16

L8

K1

L11

13

PE-21

L18

L17

H 12 33
消光黑
Flat black

N9
对侧相同
Both sides

PE-20

N26

N28

M44

L1

M29

N9

N5

K2

M53

M22

M19

L22

PE-13

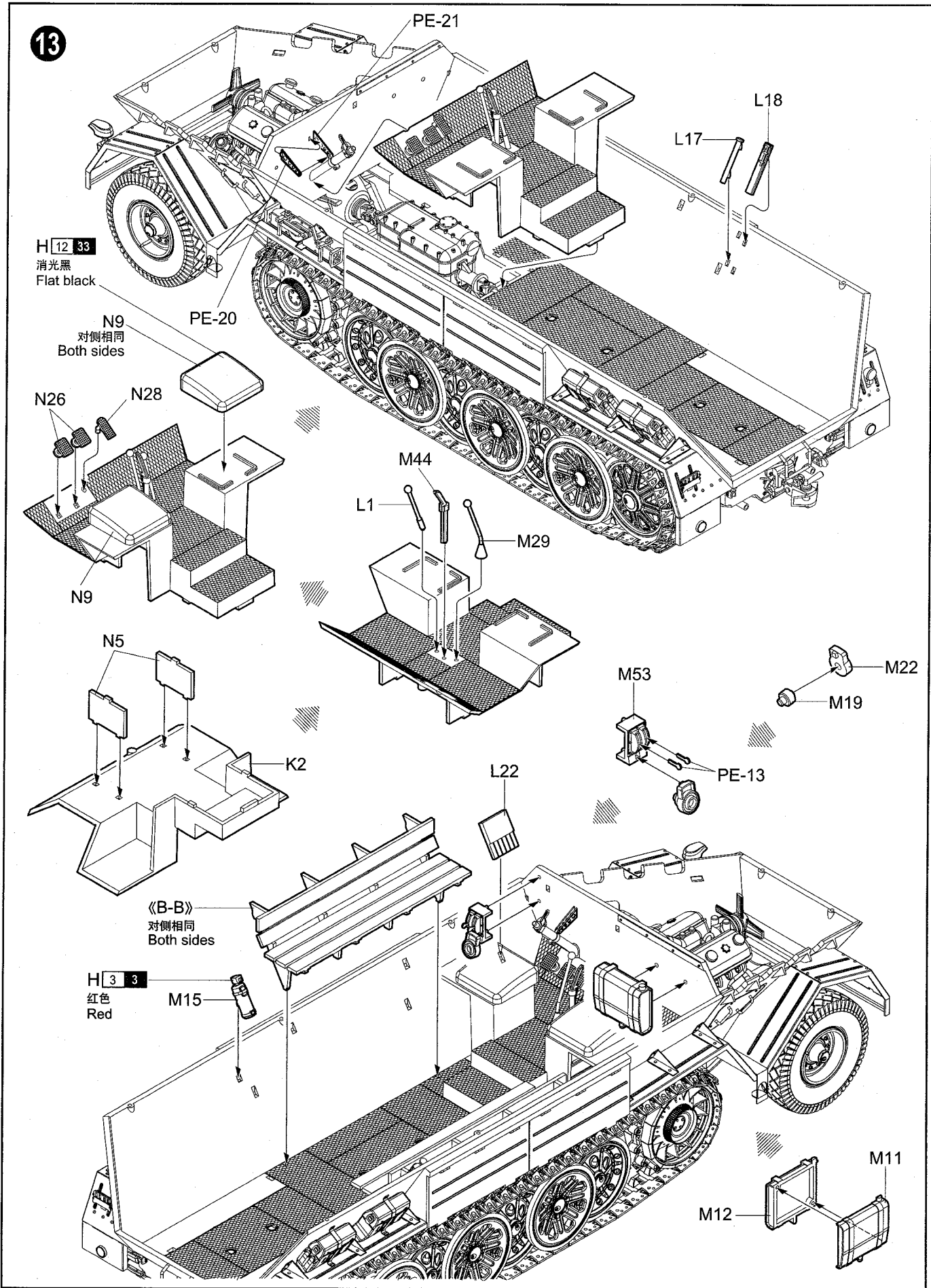
《B-B》
对侧相同
Both sides

H 3 3
红色
Red

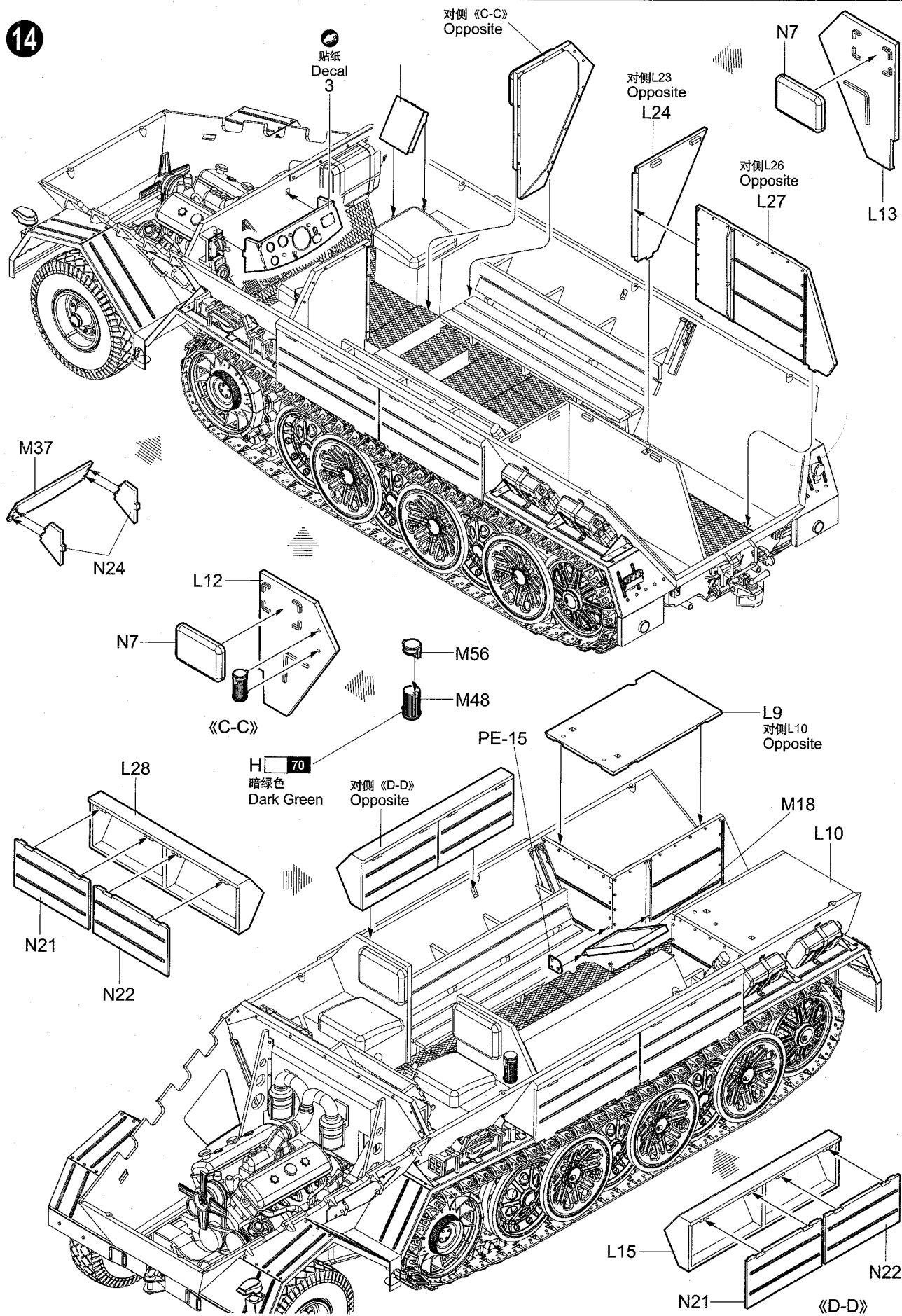
M15

M11

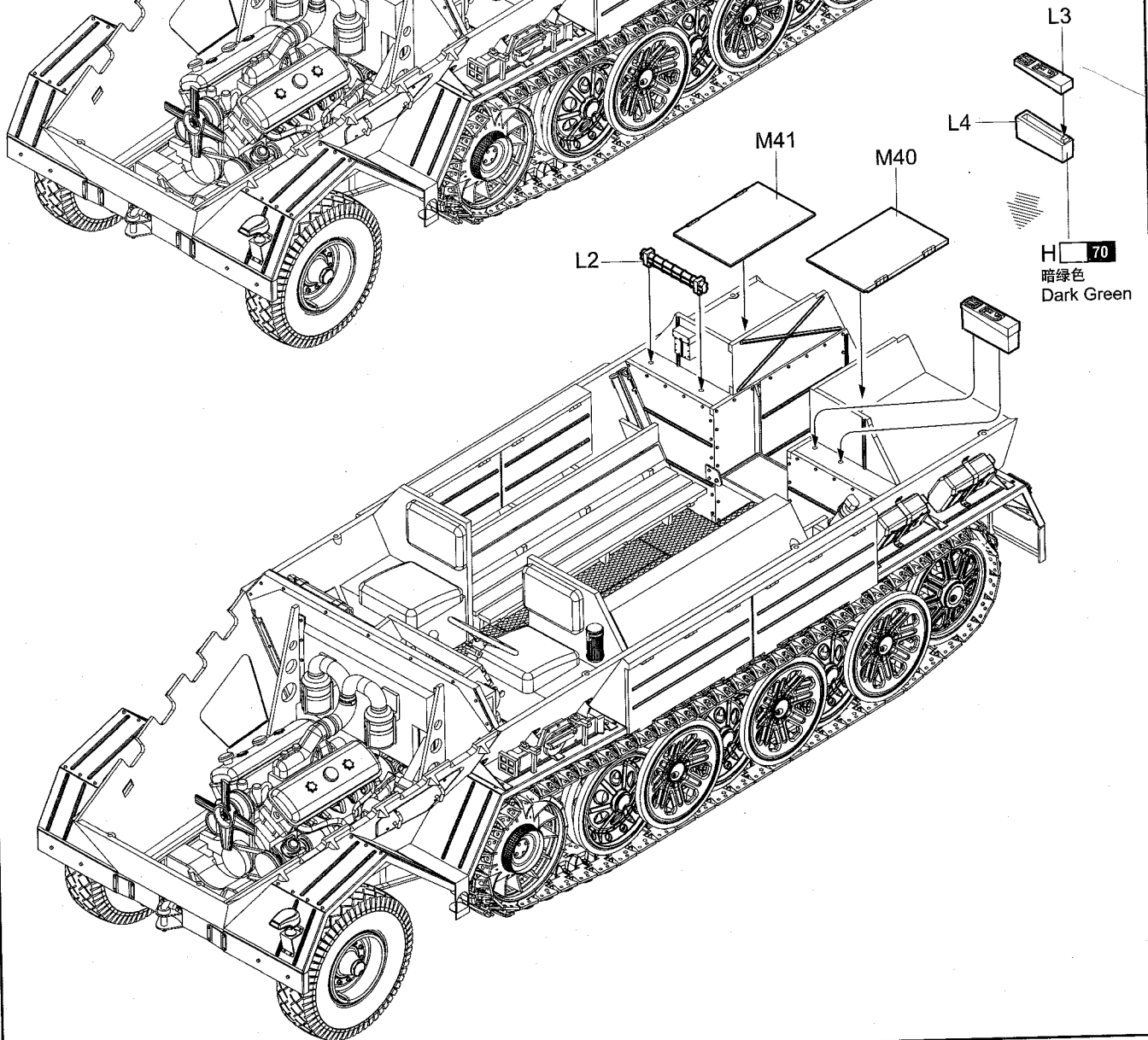
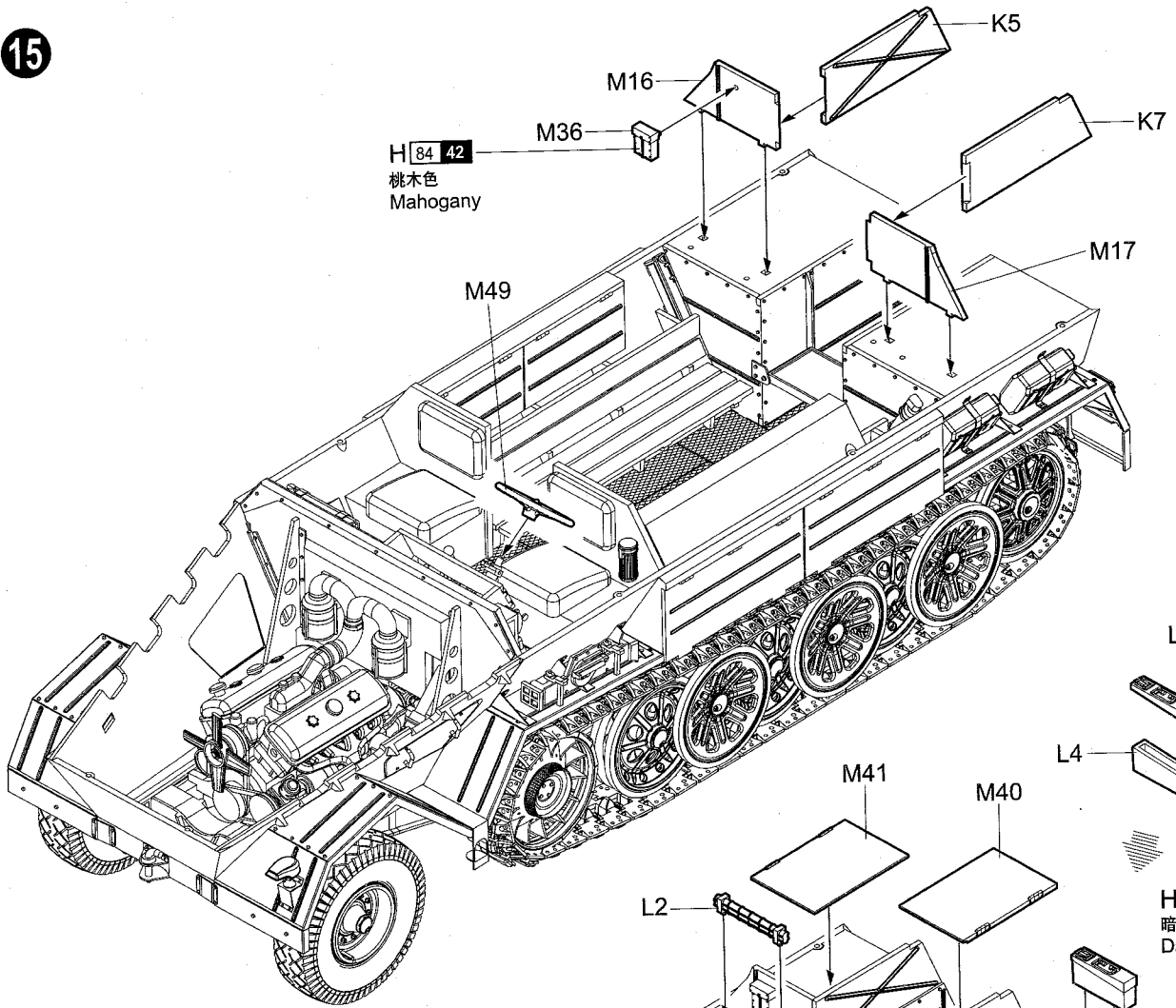
M12



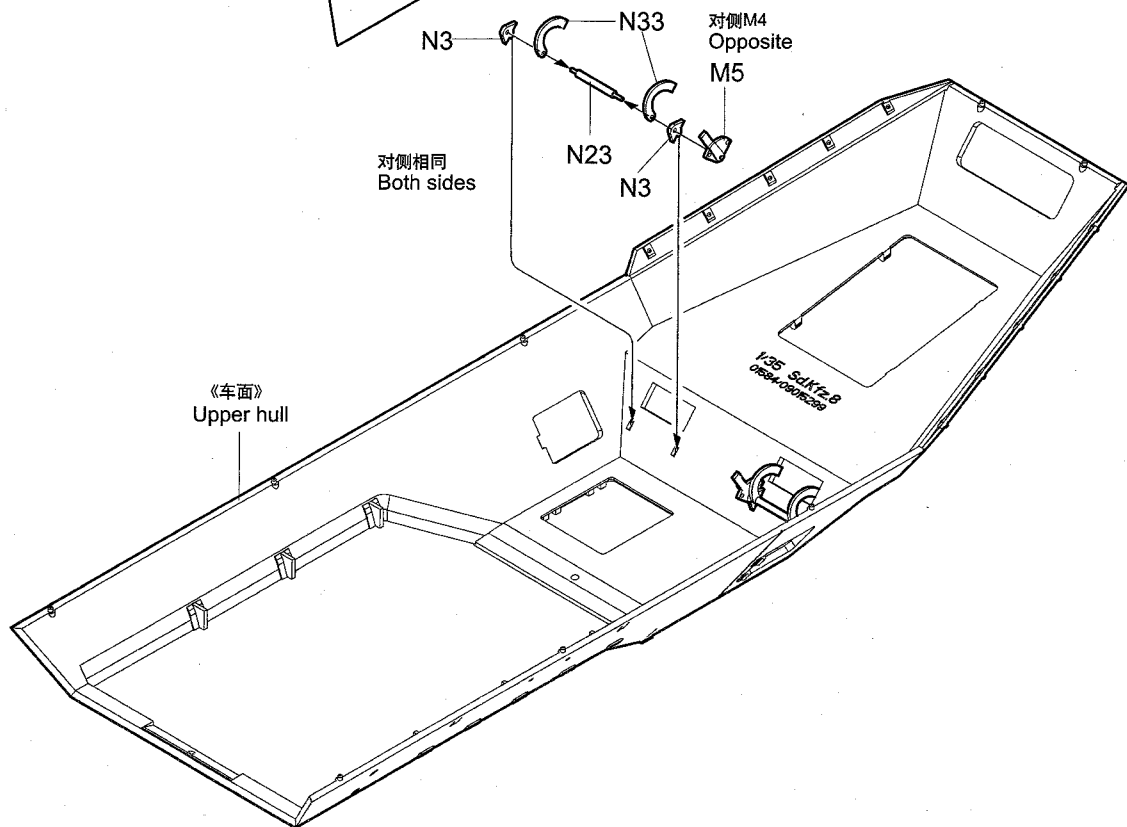
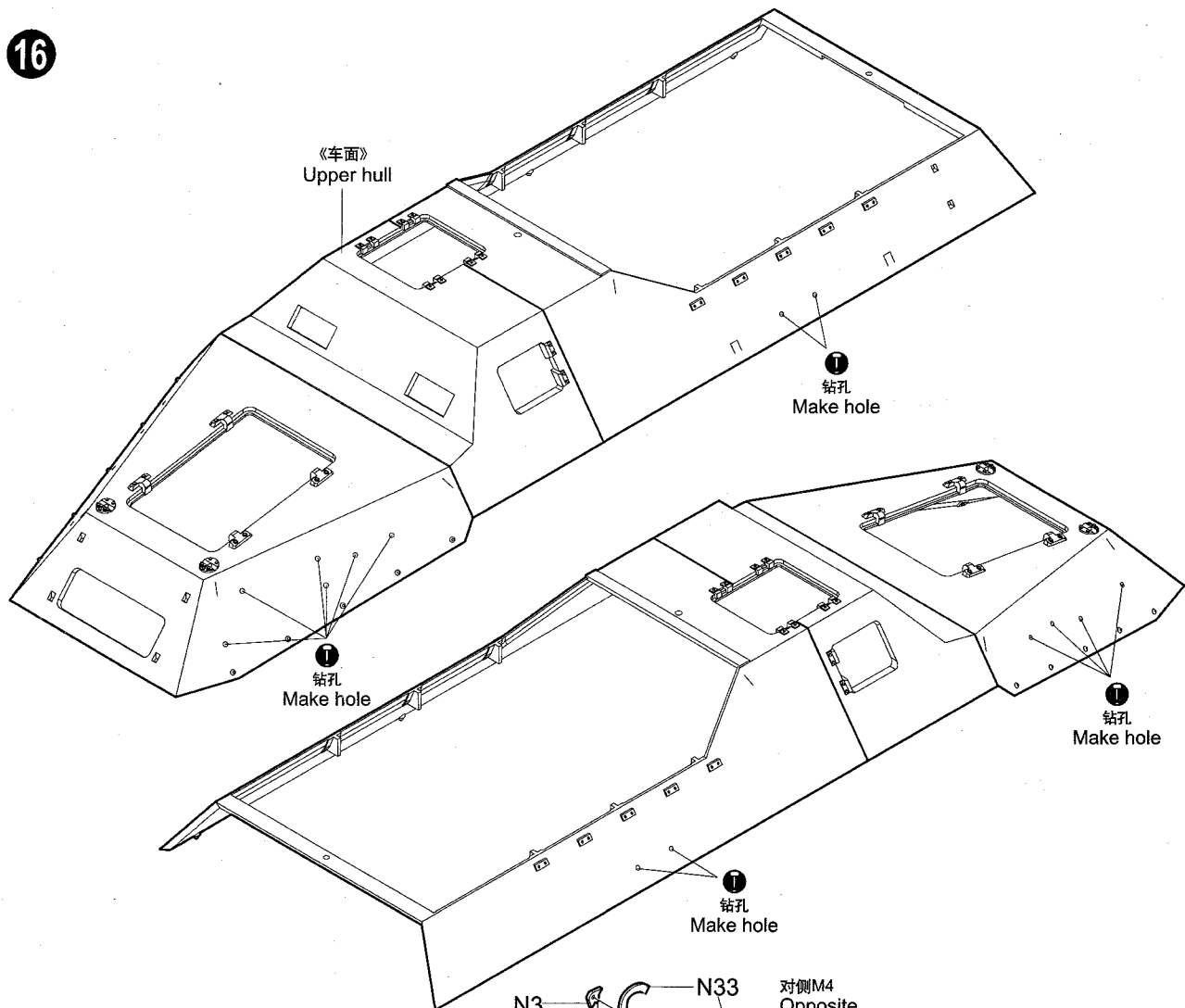
14

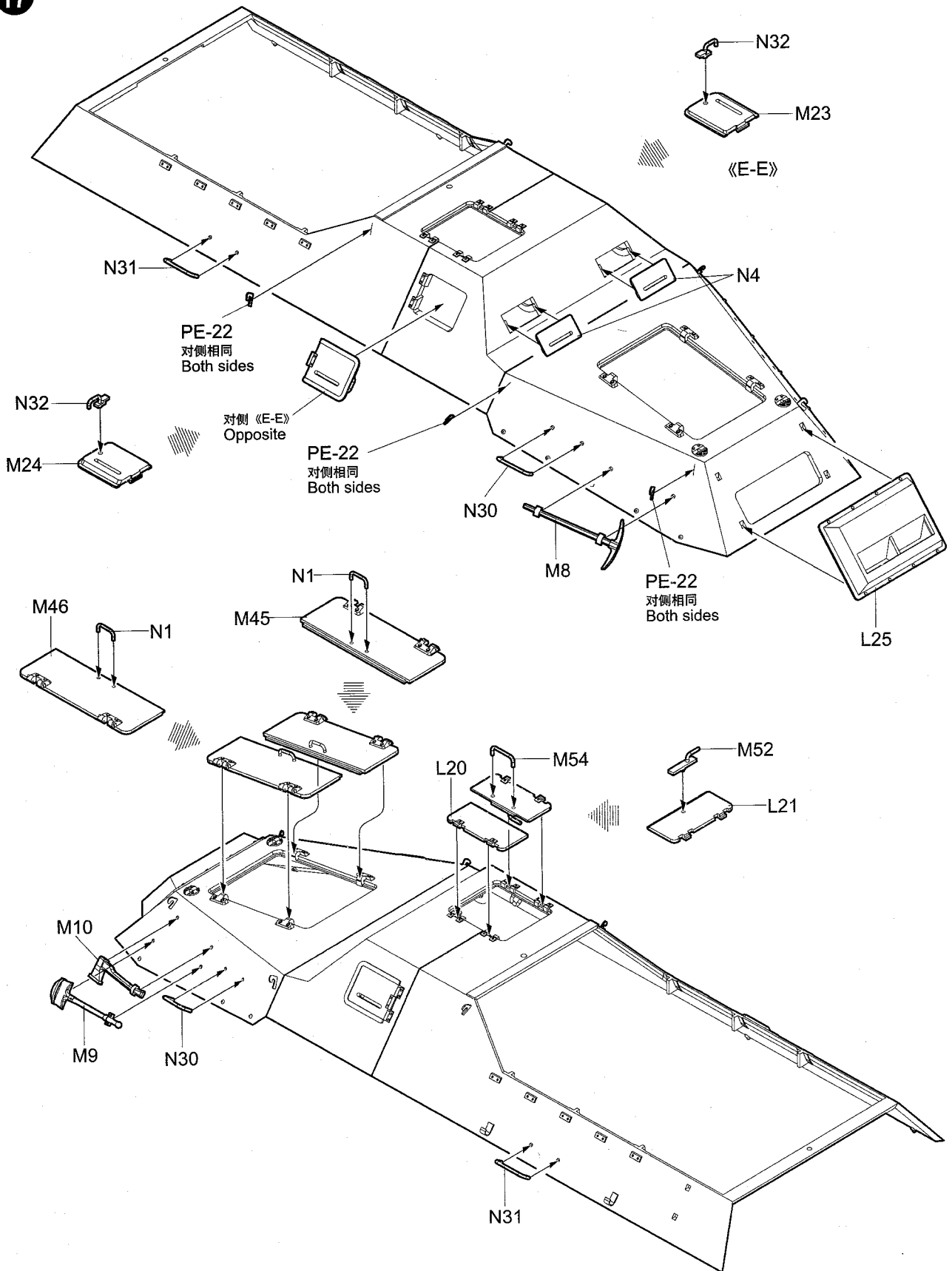


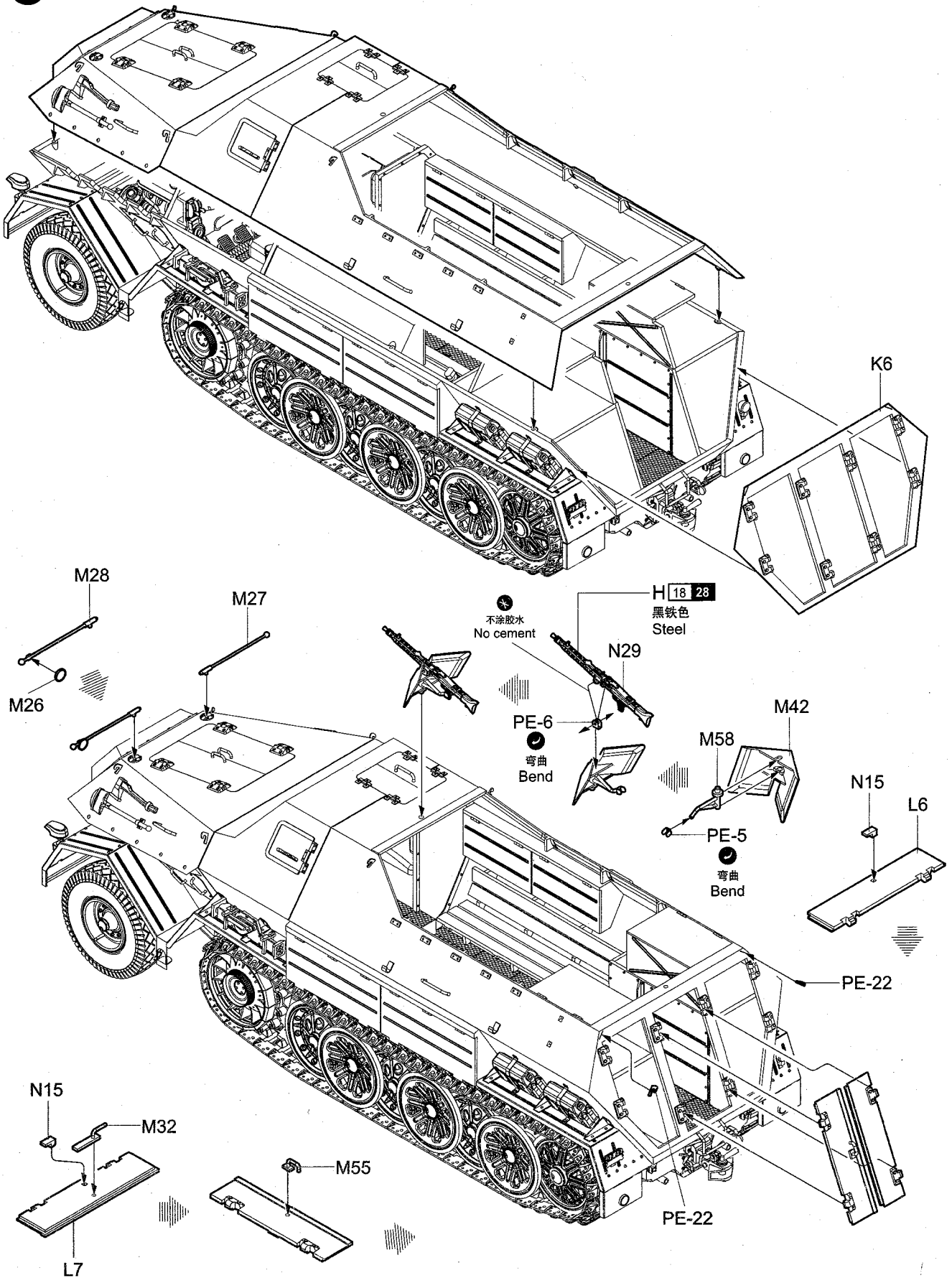
15



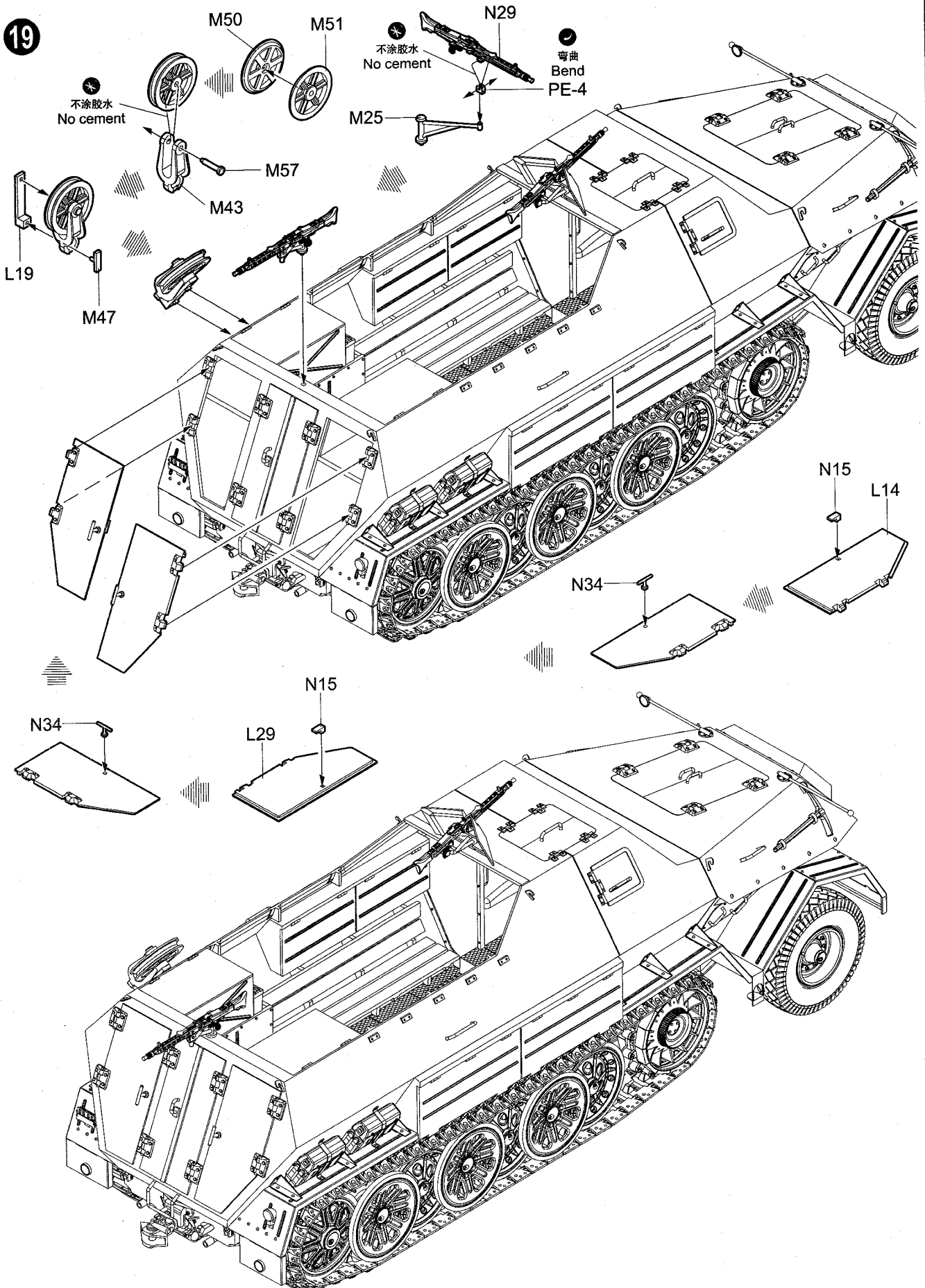
16







19



涂装同标贴指示

Painting & Marking guide

PAINT REFERENCE COLOUR

Color	Mr.Hobby	Vallejo	Model Master	Tamiya	Humbrol
Steel (Metal Black) 黑铁色	H 18 28	864	1402	-	-
Sandy Brown 沙褐色	H 79 39	824	-	XF59	93
Wood Brown 木褐色	H 37 43	983	1701	-	186
Dark Green 暗绿色	H 70	-	-	-	-
Tire Black 胎黑色	H 77 137	-	-	-	-

