

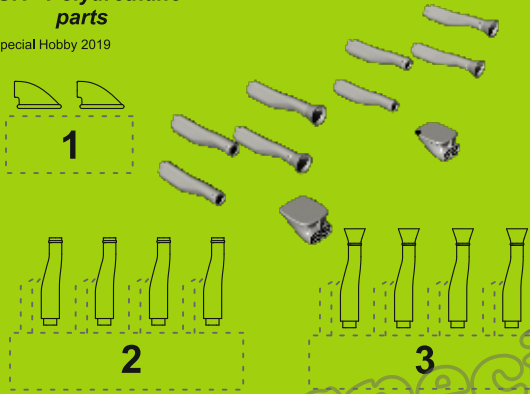
[www.facebook.com/specialhobby/](http://www.facebook.com/specialhobby/)

**Q48 341 Blenheim Mk.I/IF**  
**1/48 Engine Intakes**

for Airfix kit

**PUR - Polyurethane parts**

© Special Hobby 2019



Díly ohnuté popř. pokroucené vlivem teplotních změn a stárnutí materiálu, mohou být narovnaný do požadovaného tvaru pomocí proudu teplé vody nebo vzduchu (fén na vlasy).

*Parts slightly distorted and bent owing to temperature changes or due to material ageing can be straightened to requested shape by hot water or hot air jet. (hair dryer)*

*This process can be repeated till result is entirely satisfactory.*

K lepení použít kyanoakrylátové lepidlo!

Use cyanoacrylate (super) glue!

Kontaktní plochy doporučujeme před lepením odmastit.

*It is recommended to ungrease the mating surfaces before assembly.*

Visit our official website and e-shop at

[www.cmkkits.com](http://www.cmkkits.com)

[www.specialhobby.eu](http://www.specialhobby.eu)



OTHER ITEMS - 1:48 SETS

- Q48336 Defiant Pilot's Seat with belts for Airfix kit
- Q48329 Beaufighter TF Mk. X Pilot's Seat with belts for Revell kit
- Q48328 Beaufighter TF Mk. X Pilot's Seat for Revell kit
- Q48267 Hurricane Mk.I Seat for Airfix kit
- Q48226 Hurricane Mk.I Seat with Harness for Airfix kit
- Q48265 Hurricane Mk.I Exhausts (triple ejector type) for Airfix kit
- Q48193 Hispano Mk.II – WW II British 20mm aircraft cannon
- Q48152 Spitfire Mk.V/IX – Radio set
- Q48114 Mosquito – Tail wheel strut (including wheel) for Tamiya kit
- Q48093 Spitfire Mk.I/II/V wheels 5-spoked discs

Special Hobby, Mezilesí 718, CZ - Praha 9, 193 00, Czech Republic  
e-mail: [office@specialhobby.eu](mailto:office@specialhobby.eu)

