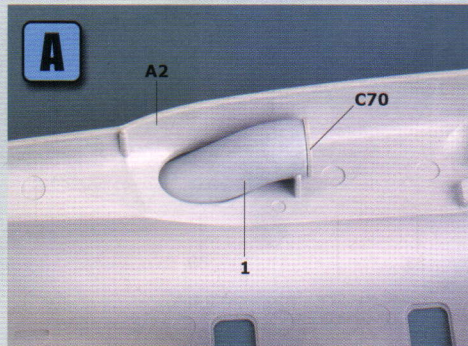
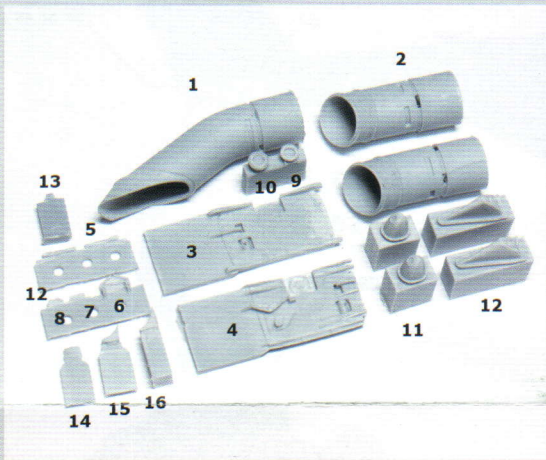




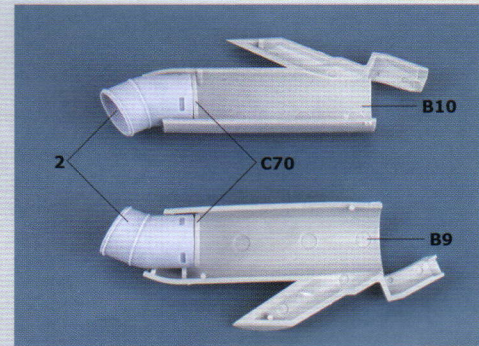
Work by Honghwan Jang



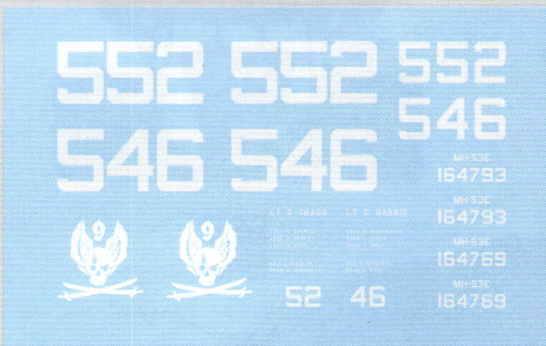
(A) Engine exhaust

Please replace stock parts to our seamless exhaust.

*Replacement parts : C76/C77

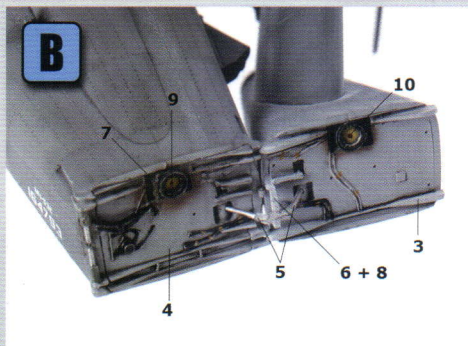


*Replacement parts : C51/C52/C53/C54



*Total : 20 Resin Parts and decal

This set is for only Academy 1/48 MH-53E Sea Dragon.



(B) Tail Folding

We supply resin parts for tail folding details.

*Replacement parts : A13/A14/A15/C5

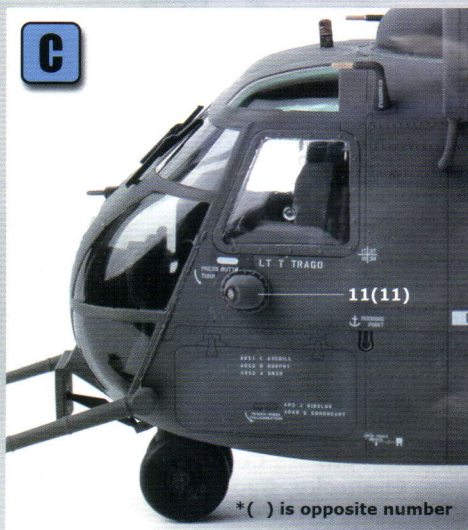


*References photo : US Navy (www.navy.mil)



Photo by US Navy (www.navy.mil)

*MH-53E Sea Dragon, 552 (S/N 164793), HM-14 'Vanguard', USS Tortuga from Pohang, Korea. Flight on Sendai city Area during serving for relief efforts after Tohoku Earthquake and Tsunami 2011.



*() is opposite number



Photo by Gustav Jung

(C) Additional sensors

Attach resin part no.11 on side doors.

(D) References photo

MH-53E Sea Dragon, 542, HM-14 'Vanguard' in OSAN AFB, Korea, Oct. 2011.

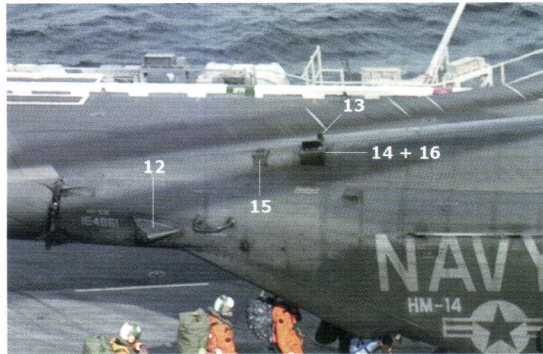
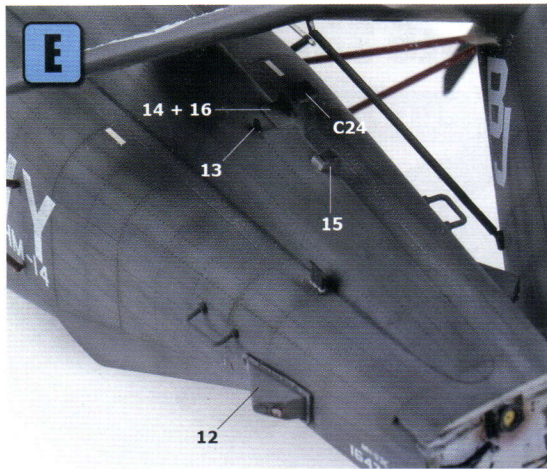


Photo by US Navy (www.navy.mil)

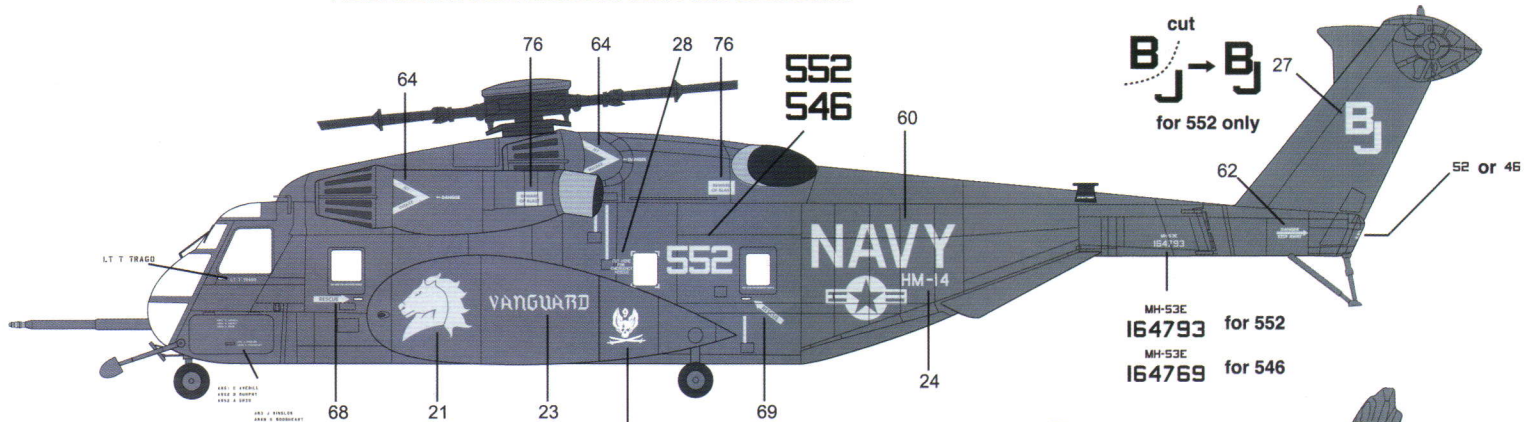
(E) Antennas and tail sensors

Please attach various antennas same as these photos.

F *Markings

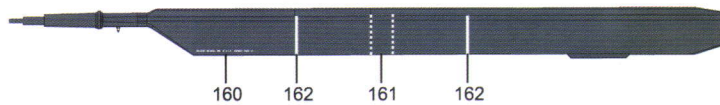
MH-53E Sea Dragon 552/546, HM-14 'Vanguard', USS Tortuga from Pohang, Korea. These helicopters supported relief efforts in Sendai and Tohoku area after Tohoku Earthquake and Tsunami in Mar. 2011.

Please use and attach additional decals with stock decals.

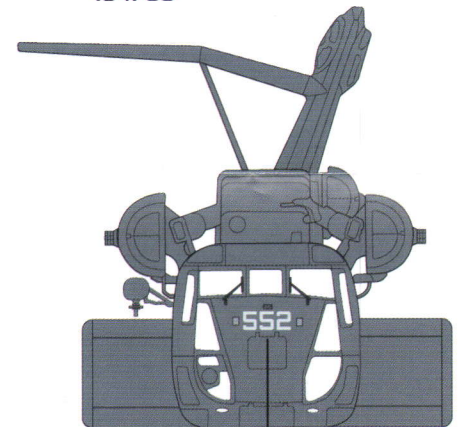


crew names are for 552 only

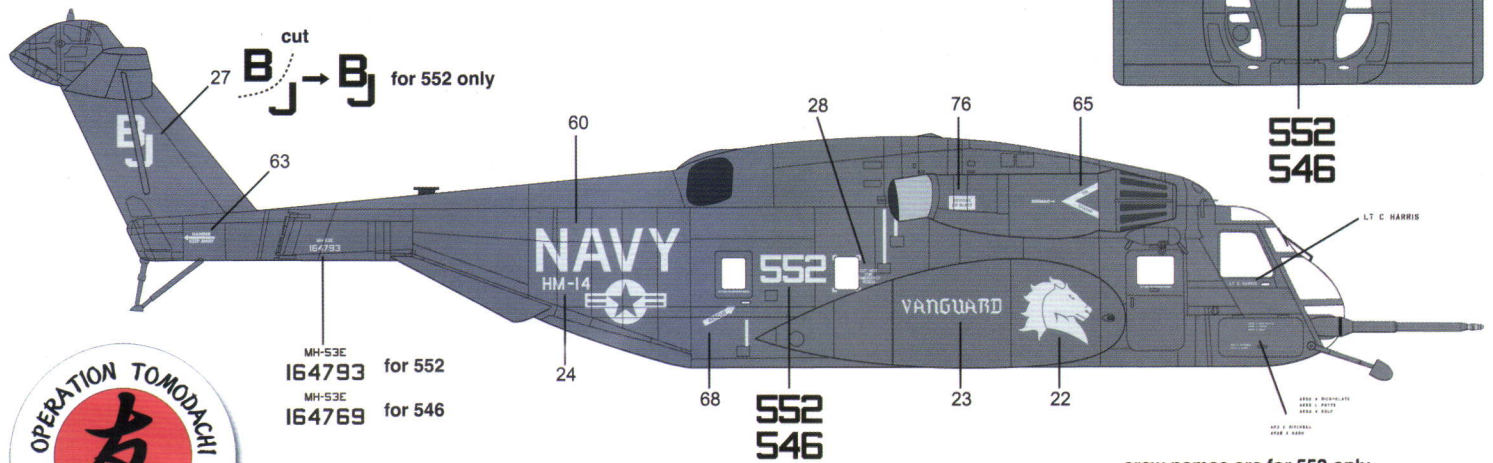
Found on 552's starboard side only, but 2 markings are provided.



These items wrap around trailing edge



552
546



crew names are for 552 only



Recommended Items

Academy/MRC 1/48 MH-53E Sea Dragon

References from

OSAN AFB Open House 2009/2011,
US Navy (www.navy.mil)



MH-53E Sea Dragon '552' was lost by onboard fire during training mission flight at 29 June 2012 near Pohang. All crew were safety.



Wolfpack-design Co. Ltd Copyright (c) 2014
F2, 697, 1-dong, Sangroku, Gyeongido, 426-863
Republic of Korea