

TWA MD-80



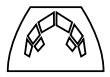
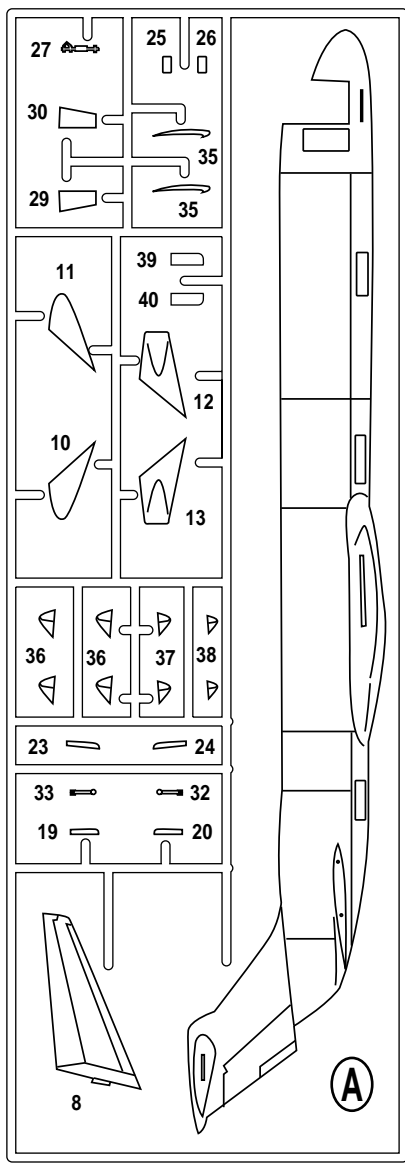
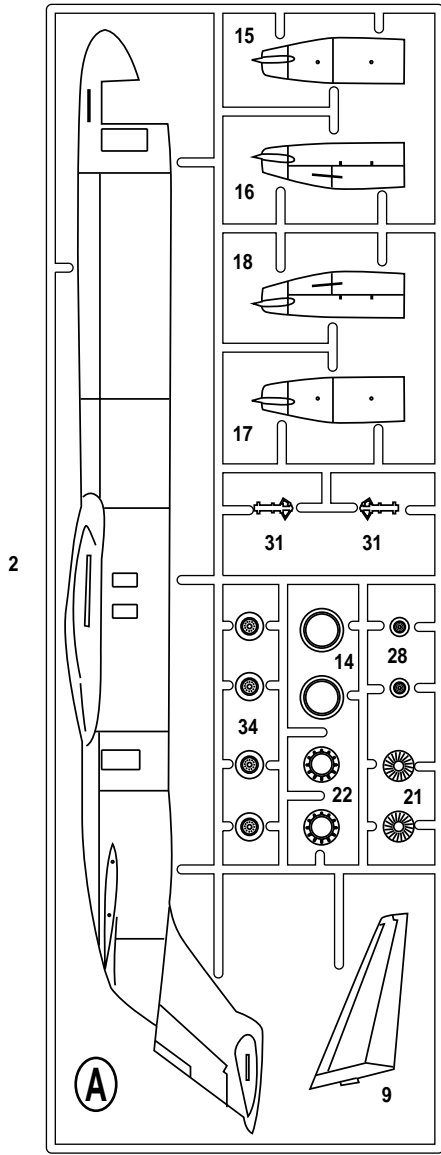
The MD-80 was a development of the very successful DC-9. The aircraft was named for the “super 80” which described the stretch fuselage DC-9. The final design was called the MD-80 after the combination of McDonald and Douglas Aircraft Companies. The MD-80 began service in the 1980’s and selected airlines are still operating the MD-80 today.

The new Minicraft MD-80 kit features new markings representing the TWA msn 49575. Bought in the early 1990’s TWA employees pooled their resources to pay for a lease of this unique MD-80 that featured distinctive TWA markings in reverse colors. The then standard TWA livery featured a white airplane with red lettering; this airplane featured a stunning bright red airplane with white lettering.

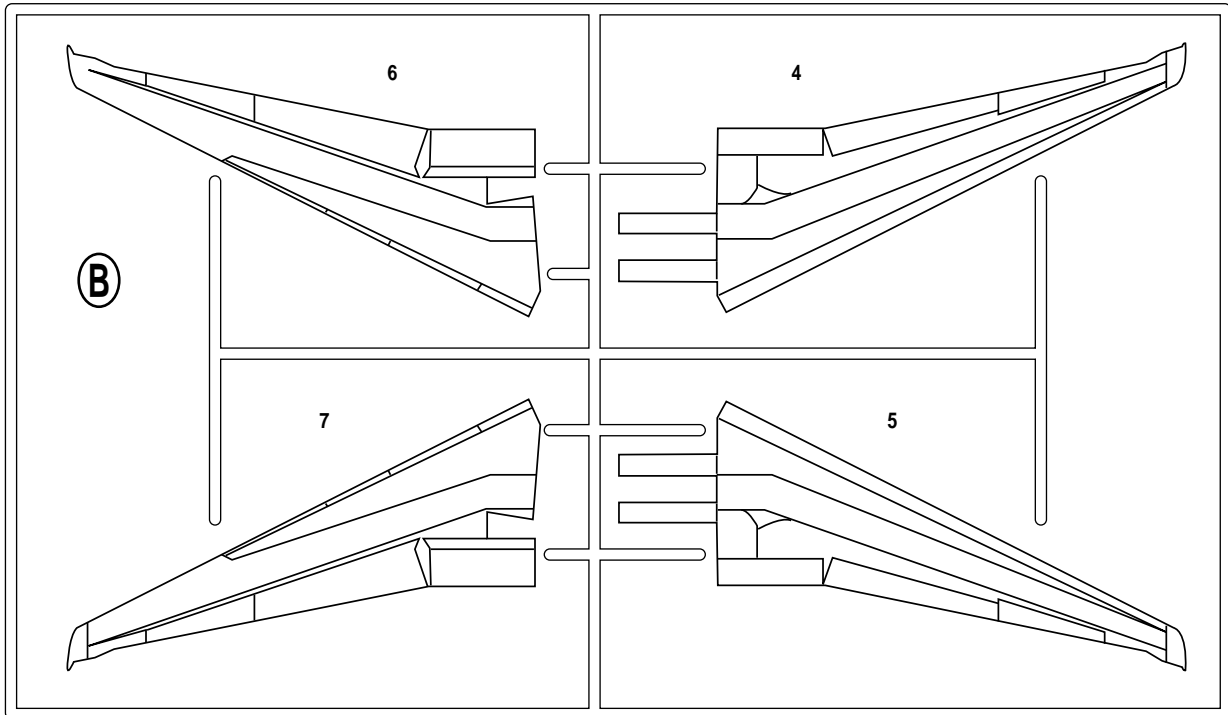
Minicraft Models, 1501 Commerce Drive, Elgin IL 60123 USA
www.minicraftmodels.com

Printed in China

PARTS LAYOUT DIAGRAM



C1





Cement
Coller
Kleben
Pegar
Incollare
Colar
Kleven



DO NOT Cement
Ne pas Coller
Nicht Kleben
No Pegar
Non Incollare
Nao Colar
Niet Kleven

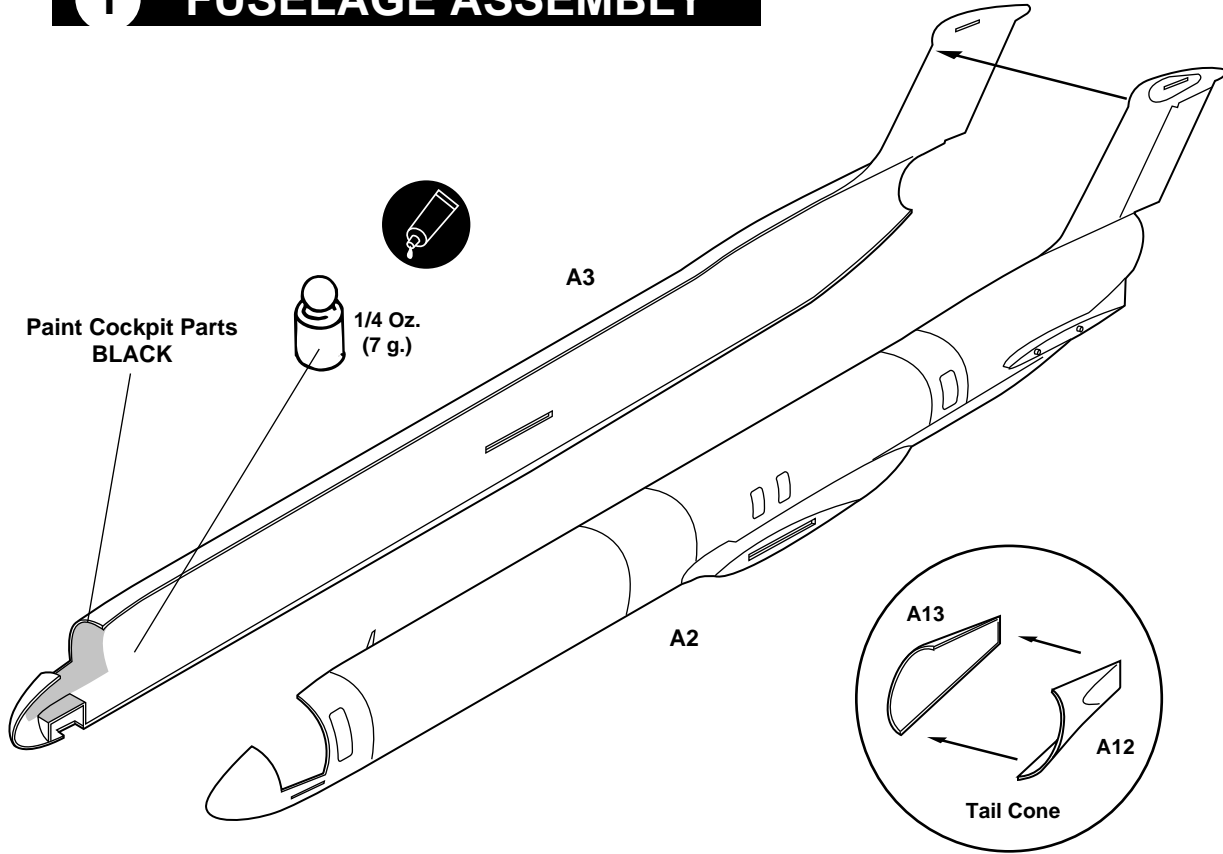


Cut away
Couper
Scheiden
Cortar
Tagliere
Cortar
Snijden

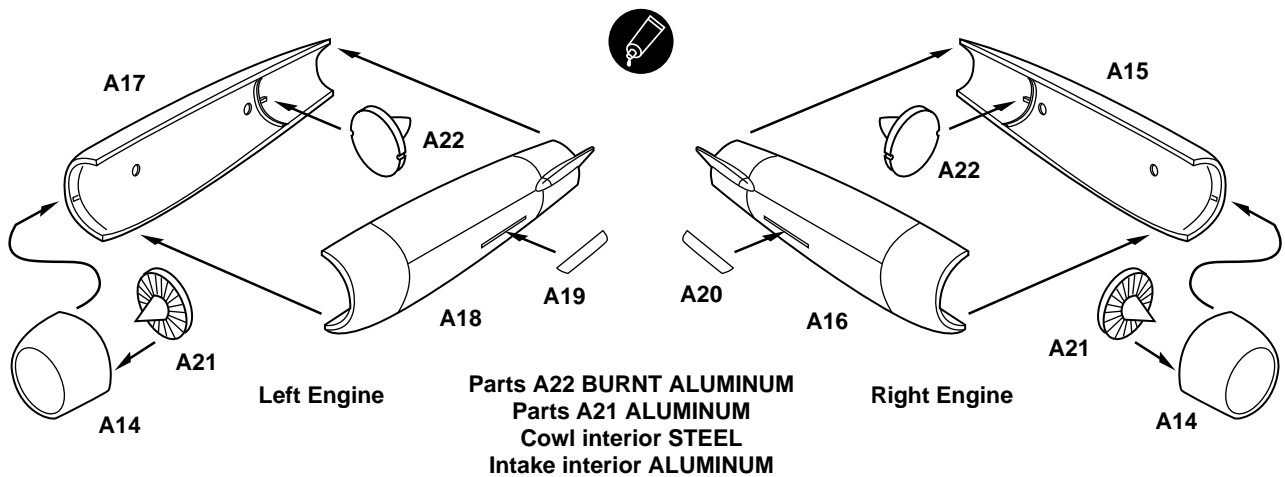


Optional parts
Choix
Auswahlmoglichkeit
Eleccion
Scelta
Opaco
Keuze

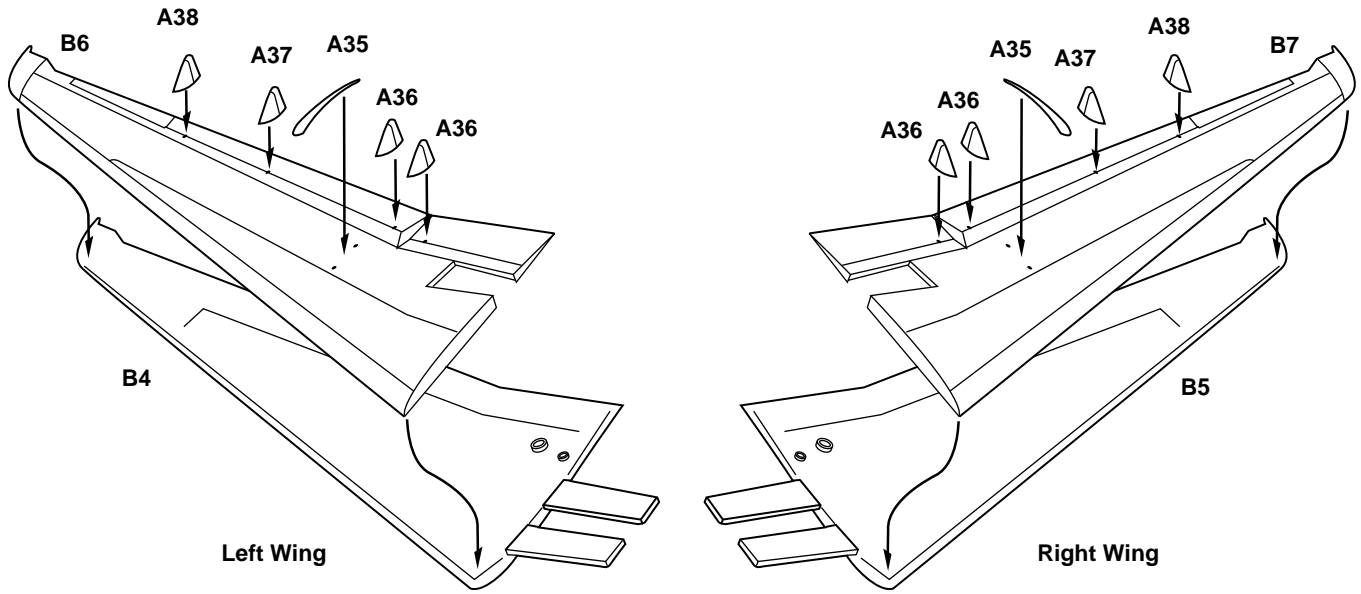
1 FUSELAGE ASSEMBLY



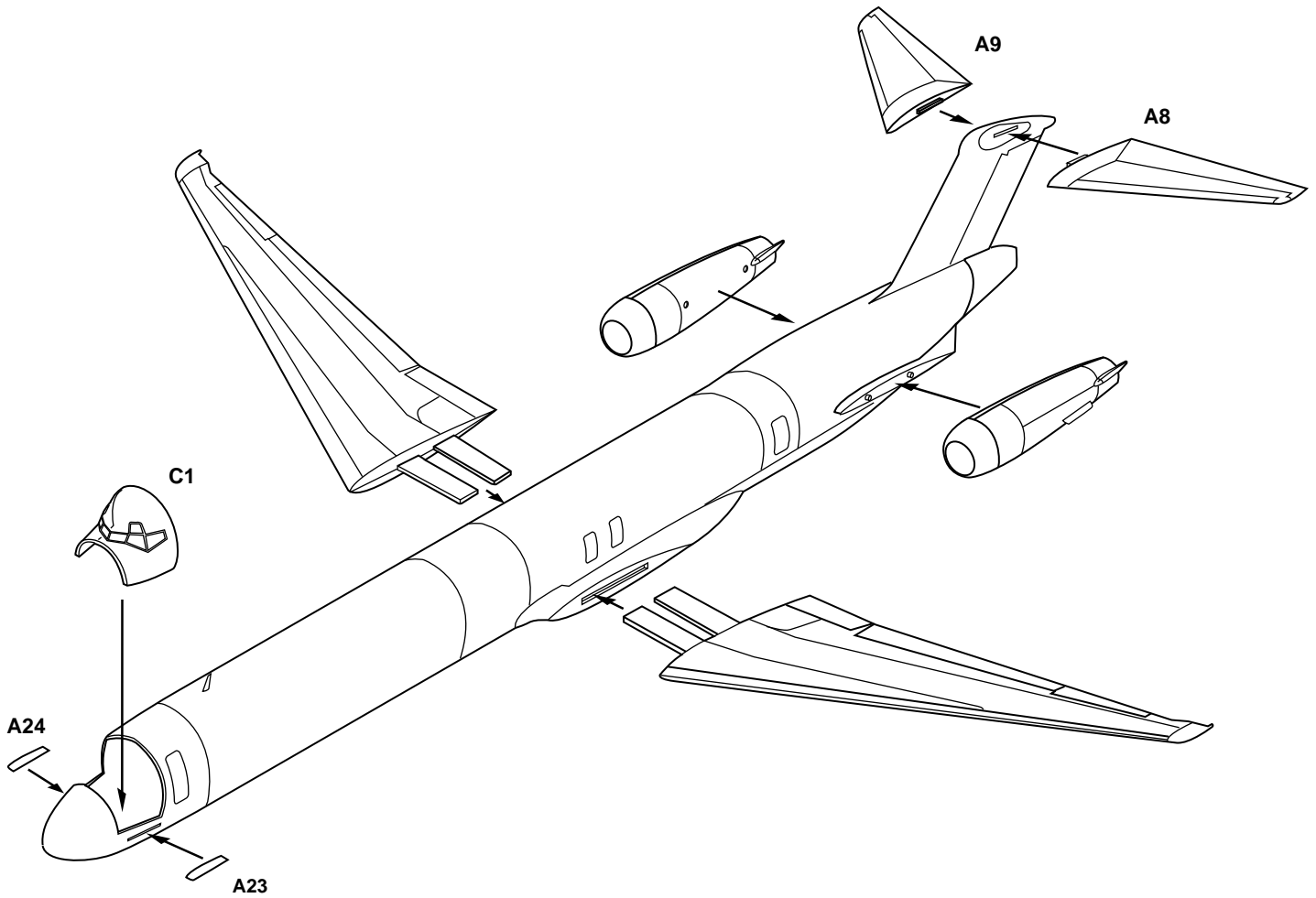
2 ENGINES



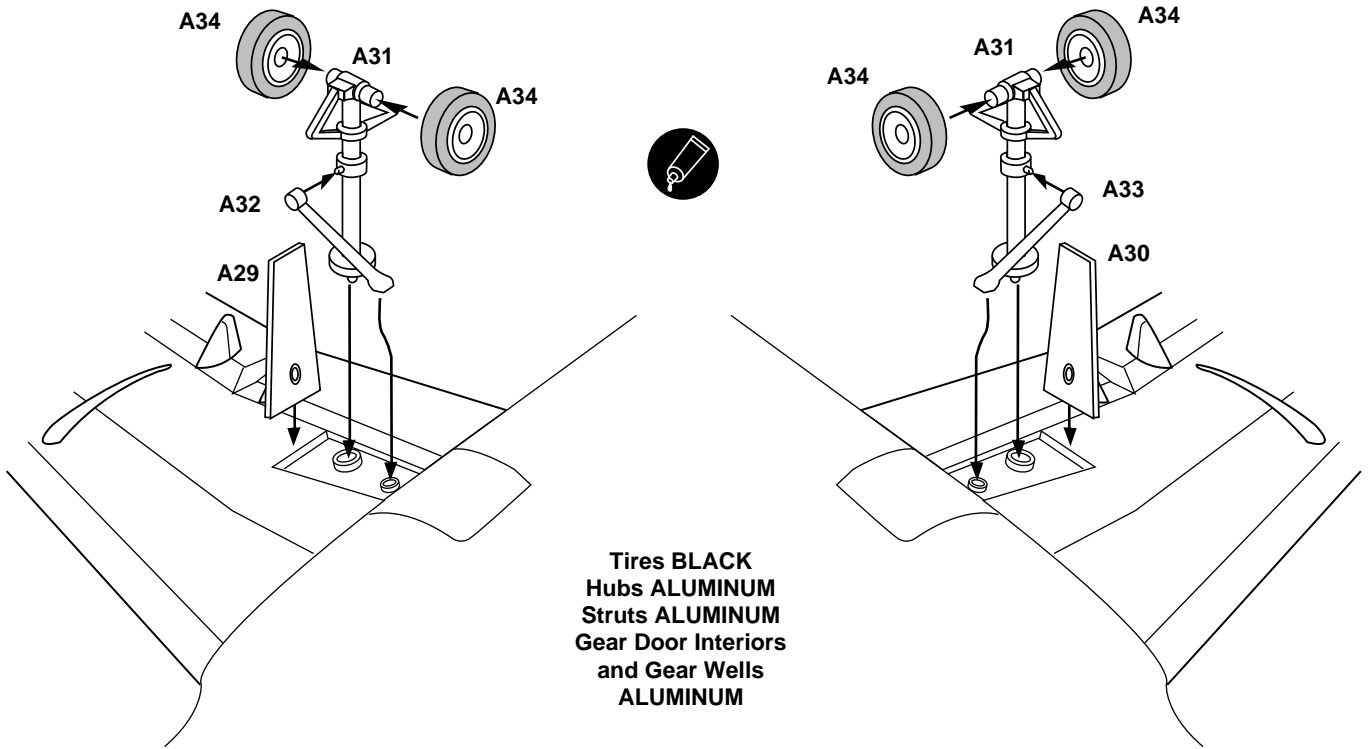
3 WINGS



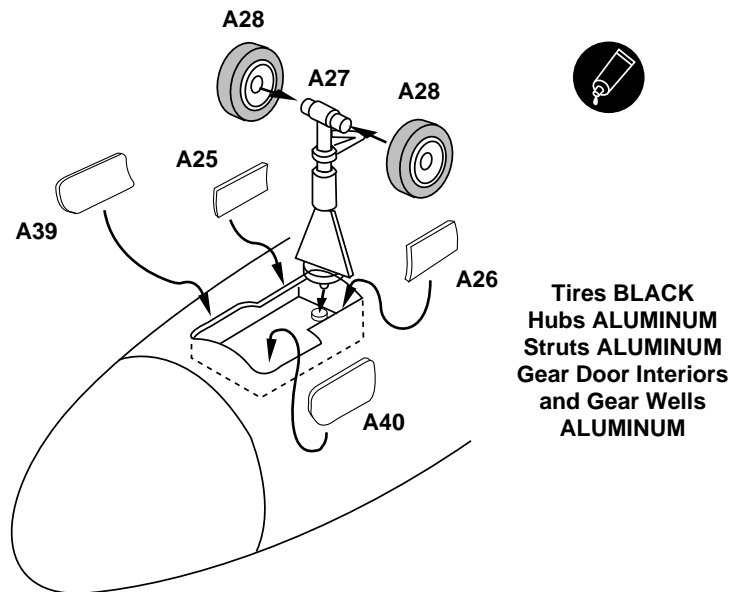
4 MAIN COMPONENT ASSEMBLY

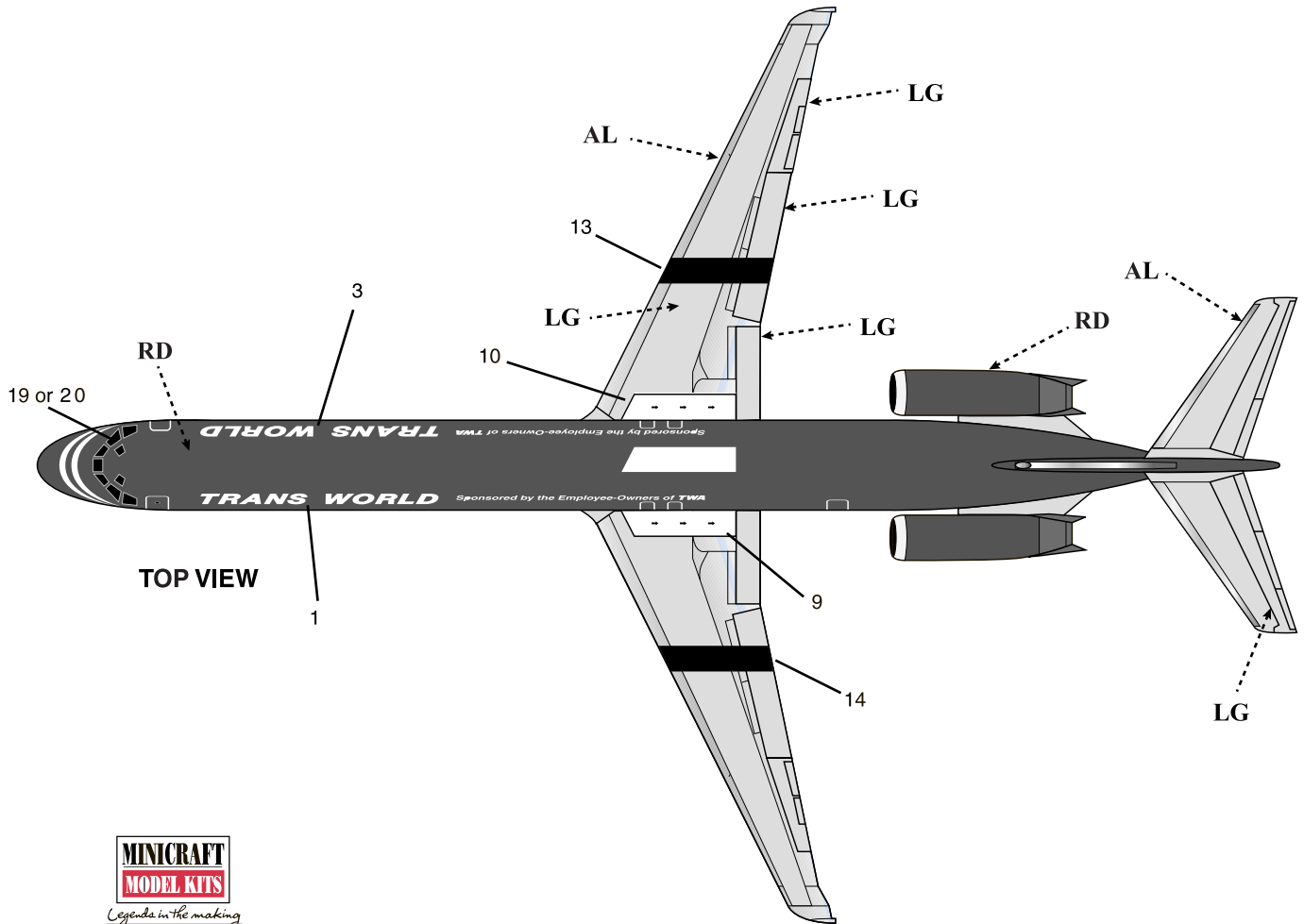
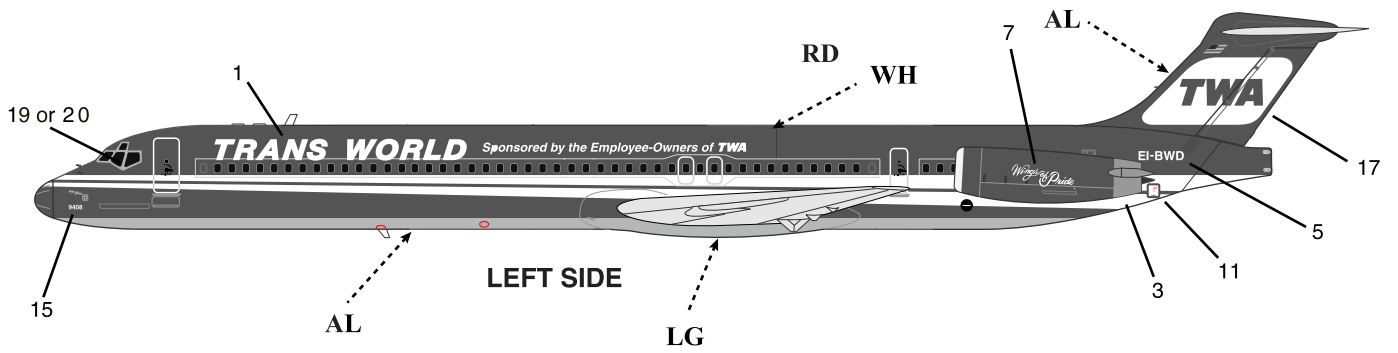


5 MAIN LANDING GEAR



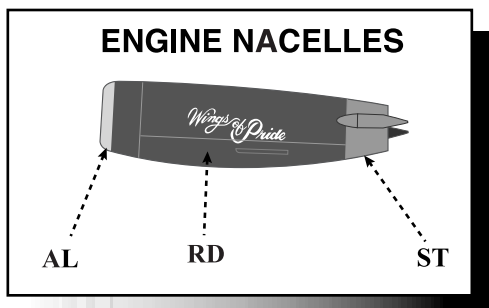
6 NOSE LANDING GEAR



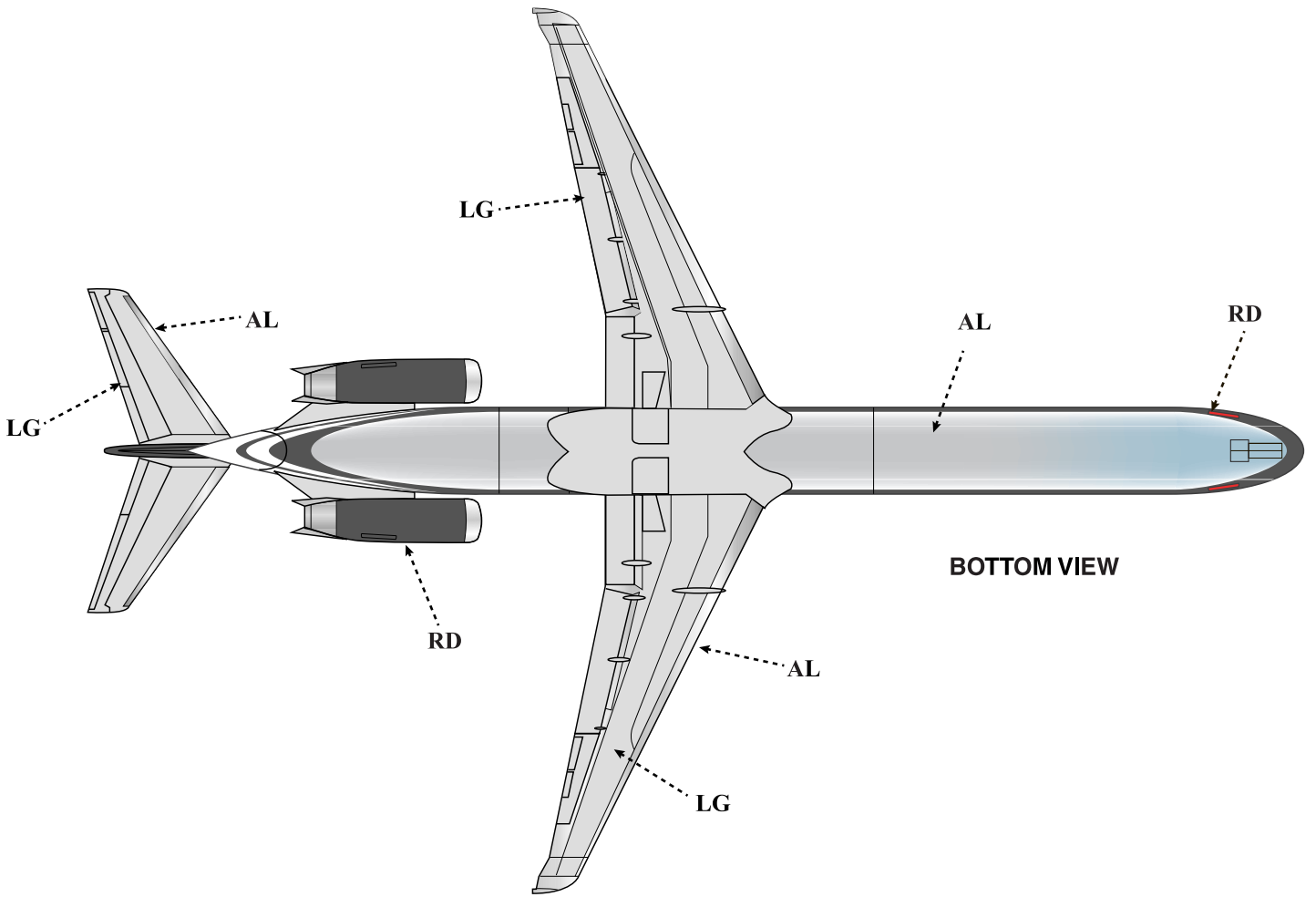
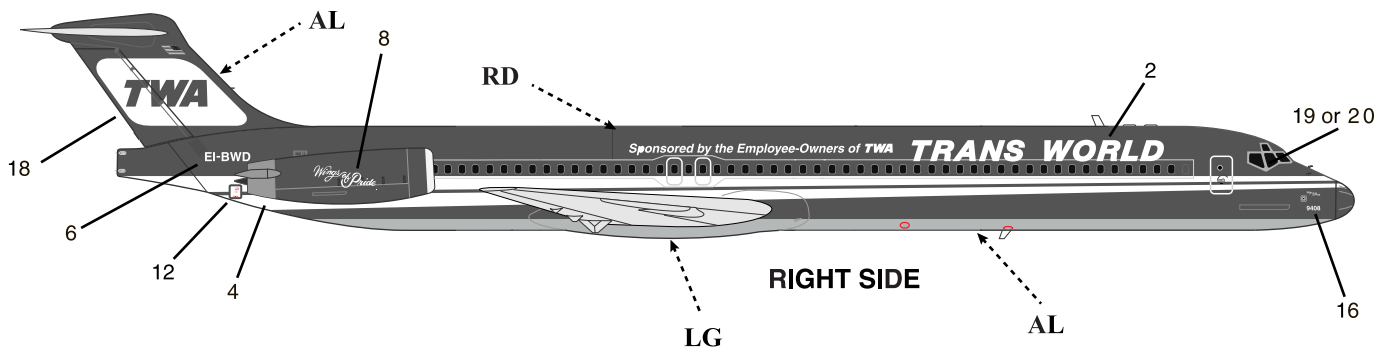


MINICRAFT
MODEL KITS

Legends in the making



PAINT COLORS		
RD		MODEL MASTER GUARDS RED
AL		ALUMINUM
LG		LT. GRAY FS 16440
BK		BLACK
ST		STEEL



Your Minicraft model includes high-quality waterslide decals. These decals adhere best to a glossy surface; and it is recommended that you apply a clear gloss coat over your painted model.

Use a sharp scissors or knife to cut individual decals from the carrier sheet. Do not cut into the clear film surrounding the individual decals.

* It is recommended that you apply one decal at a time.

* Place the decal section in warm water, when first inserted in the water your decal will curl, after approximately ten seconds the decal will uncurl. Remove from water and lay on a paper towel. After approximately 10 - 20 seconds the decal will slide freely from the backing paper. Use a small brush to help slide the decal from the backing paper and into position on the model. Carefully blot excess water from the decal, using care not to move the decal or tear it.

* If you choose to use a setting solution, apply a thin coat over the decal following the manufacturer's instruction.

* Allow the decal to dry overnight. Wash any adhesive residue off the model with a small amount of clean water and dry thoroughly.

* Apply clear gloss, matte or flat coat to seal decals following the instructions from the manufacturer.



Legends in the making™

Visit our Website-
www.minicraftmodels.com

Minicraft Models
1501 Commerce Drive
Elgin, IL 60123

Phone: 847-429-9676