

Black Box



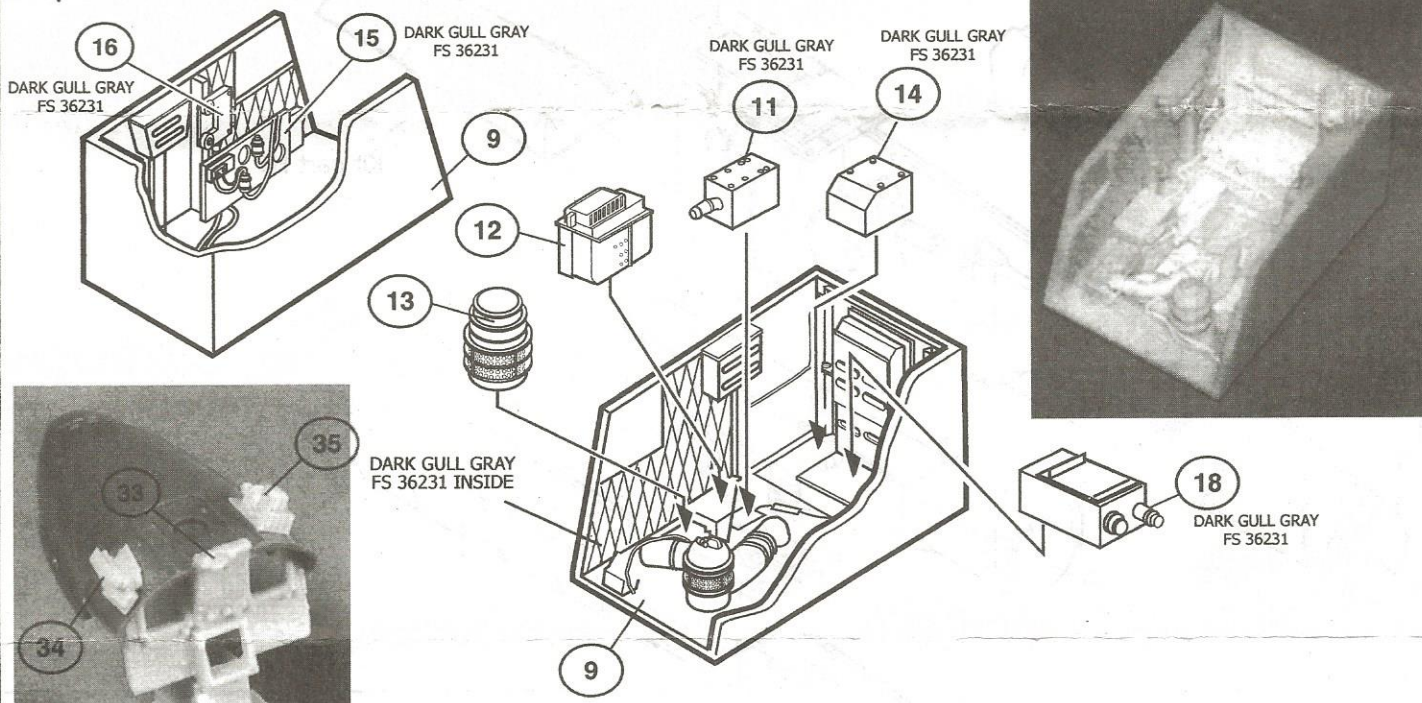
RESIN PARTS:

- | | | | |
|--------------------------|-------------------------------|---------------------------------|------------------------------------|
| 1. Cockpit Tub | 10. Rear Deck | 19. Rudder Pedal (x2) | 28. Tailhook Lever |
| 2. Right Side Wall | 11. Avionics Box #1 | 20. Canopy Actuator Receptacle | 29. Ejection Seat |
| 3. Map Case Cover | 12. Digital Memory Computer | 21. Canopy Actuator Swivel Unit | 30. Ejection Seat Catapult |
| 4. Left Side Wall | 13. Filter Unit | 22. Canopy Actuator Motor | 31. Ejection Securing Bracket |
| 5. Main Instrument Panel | 14. Avionics Box #2 | 23. Camera units (left) | 32. Ejection Seat Headrest Linkage |
| 6. Control Stick Base | 15. Feed Line Collector Plate | 24. Camera units (right) | 33. Clock (BA) |
| 7. Control Stick Grip | 16. Connector Box | 25. Camera's (x2) | 34. Smoke Switches Left (BA) |
| 8. Throttle Handle | 17. Canopy Deck Relay Box | 26. Canopy Jettison Handle | 35. Smoke Switches Right (BA) |
| 9. Computer Compartment | 18. Avionics Box #3 | 27. Canopy Defog Lever | |

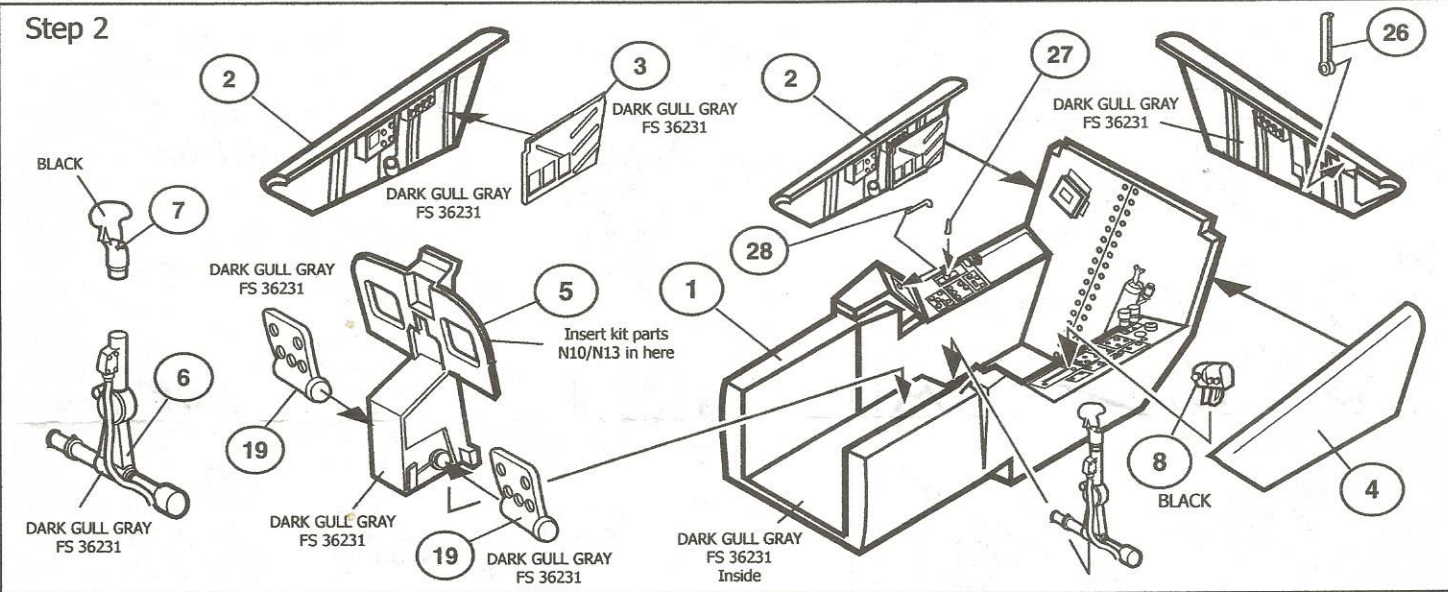
Item # CS32011
F/A 18A HORNET
update set for Academy kit
1/32 scale

Copyright © V.M.D. Studios, Inc. 2003

Step 1



Step 2



ACKNOWLEDGEMENTS:

We like to extend our gratitude to **Gabe Pincelli** for mastering the Tail Fins.
Combat Series likes to thank Dave Roof for his valuable contribution to making this set as accurate as possible.

BEST REFERENCES:

- F-18 HORNET Modeler's Eye Series #2, Dainippon Kaiga Co, Ltd, available in USA from RZM Imports CT.

PAINTING INSTRUCTIONS
Paint cockpit according to kit
instructions unless otherwise indicated

Black Box



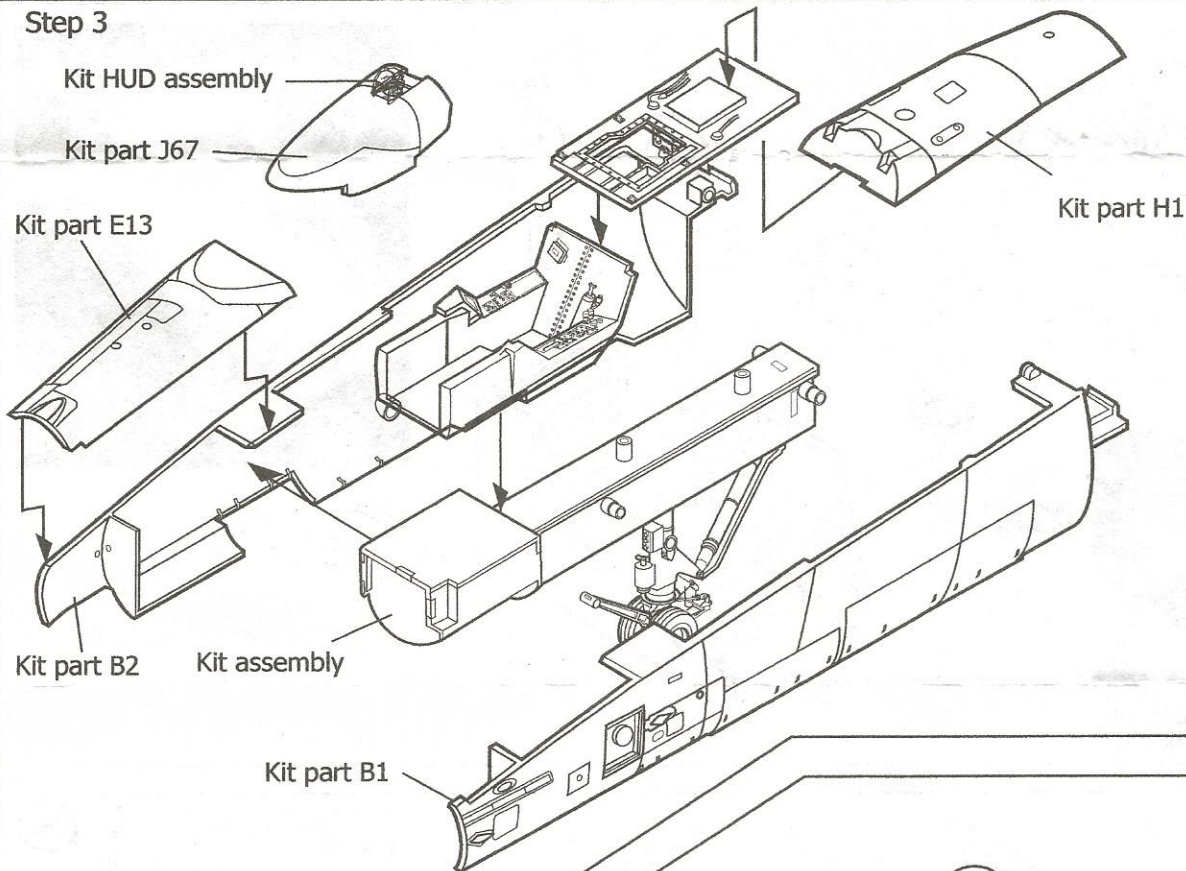
RESIN PARTS:

- | | | | |
|--------------------------|-------------------------------|---------------------------------|------------------------------------|
| 1. Cockpit Tub | 10. Rear Deck | 19. Rudder Pedal (x2) | 28. Tailhook Lever |
| 2. Right Side Wall | 11. Avionics Box #1 | 20. Canopy Actuator Receptacle | 29. Ejection Seat |
| 3. Map Case Cover | 12. Digital Memory Computer | 21. Canopy Actuator Swivel Unit | 30. Ejection Seat Catapult |
| 4. Left Side Wall | 13. Filter Unit | 22. Canopy Actuator Motor | 31. Ejection Securing Bracket |
| 5. Main Instrument Panel | 14. Avionics Box #2 | 23. Camera units (left) | 32. Ejection Seat Headrest Linkage |
| 6. Control Stick Base | 15. Feed Line Collector Plate | 24. Camera units (left) | 33. Clock (BA) |
| 7. Control Stick Grip | 16. Connector Box | 25. Camera's (x2) | 34. Smoke Switches Left (BA) |
| 8. Throttle Handle | 17. Canopy Deck Relay Box | 26. Canopy Jettison Handle | 35. Smoke Switches Right (BA) |
| 9. Computer Compartment | 18. Avionics Box #3 | 27. Canopy Defog Lever | 36. Tail Fins Left + Right |

Item # CS32011
F/A 18A HORNET
update set for Academy kit
1/32 scale

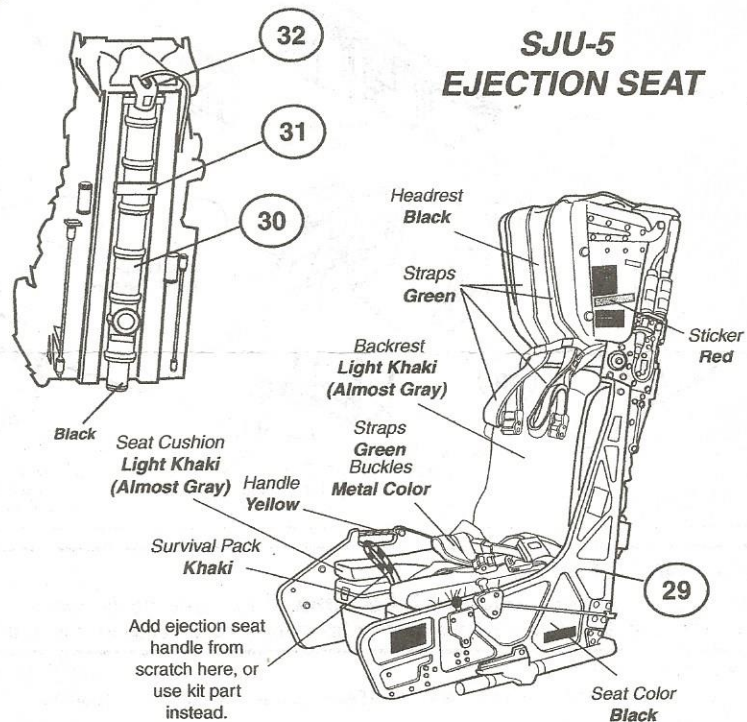
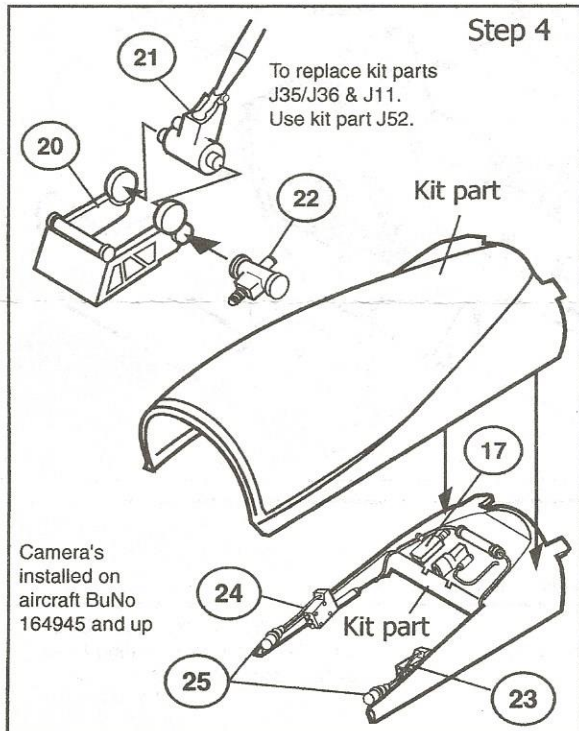
Copyright © V.M.D. Studios, Inc. 2003

Step 3



Step 5

SJU-5 EJECTION SEAT



COMBAT SERIES