

USER MANUAL 产品制作手册

Please read the following before assembly

1. This product is the parts of the unassembled precision models. It requires special tools to assemble and paint the model. Glue, paint or tools are not included.
2. This product is for children of 14 and up, younger children should be under adult supervision. For those who will make the model and caregivers, please read manual carefully to understand the procedures.
3. Please be careful when using special model scissors, pencil sharpener or special dedicated file to remove the excess plastic materials on the surface. Do not damage or lose.
4. Please use special adhesive to assemble model parts. Please use power glue for metal parts carefully since it might cause be too powerful for the parts.
5. Please read the notes before using glue, painting or decal.

制作前请仔细阅读以下事项

1. 本产品为未组装的比例模型套装零件，需要使用模型专用制作工具自行组装和上色。本产品内不含粘合剂，涂漆和工具。
2. 本产品适合14岁以上儿童和成年模型爱好者，低年龄者请在成人监管看护下制作。制作者和看护者请仔细阅读本制作手册，了解基本制作流程和注意要点。
3. 请小心使用模型专用剪，专用笔刀或专用锉刀去除零件表面多余注塑胶料，不要损坏或丢失。
4. 请使用模型专用粘合剂粘合零件组装。金属零件粘合请小心使用强力胶，过量强力胶使用可能导致可动零件完全粘合。
5. 使用粘合剂，涂漆和水贴之前请阅读相关注意事项。



Make 2 Pcs
制作二组



Optional
选择模式



Remove / Cut
切割



Bend
弯曲



Apply Decal
贴水印纸



Instant Glue For Metal
用强力胶



Open Hole
钻孔



Caution
小心注意



Do Not Cement
无需粘合



Weight
配重



Fill Hole
填平

14+

Kit suitable for ages 14 to adult
本产品适合14岁以上青少年及成人收藏者

Warning

- ▲ Do not use glue or paint near the fire, please keep good air circulation.
- ▲ Please be careful with the tips of both tools and parts. Please pay special attention to photo-etch parts to avoid scratch or injury.
- ▲ Please keep away from children, pets or anyone who need special care. Avoid any possible injury from small parts and tools. please keep plastic bags away from children or pets.

特别注意

- ▲ 切勿在近火处使用胶水或涂漆，请保持制作环境的空气流通。
- ▲ 请小心制作工具和产品零件的尖端，处理蚀刻片时请特别注意，防止划伤，避免伤害。
- ▲ 制作时请远离儿童、宠物和需受监护的人员，避免细小零件和工具对其造成伤害。请将产品中的包装塑胶袋远离儿童和宠物避免发生窒息危险！

1/35 Scale
35A03

FLATBED Ommr

德國兩軸軌道平板運輸車
(FLACHWAGEN Ommr)
ドイツ2軸Ommrレールフラットトラック

produced by

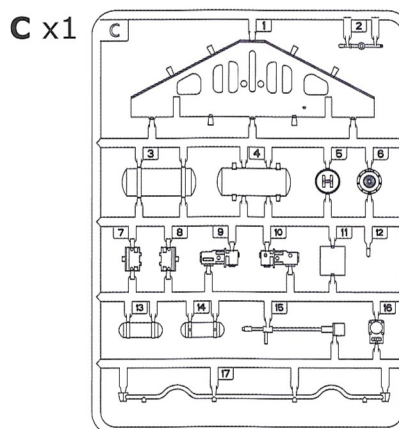
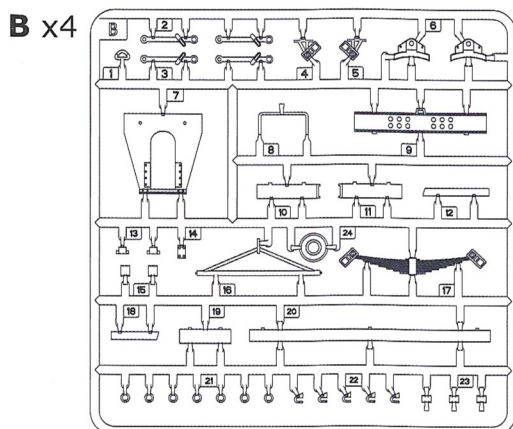
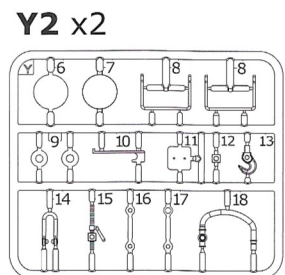
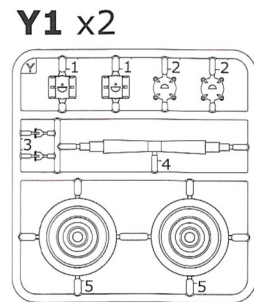
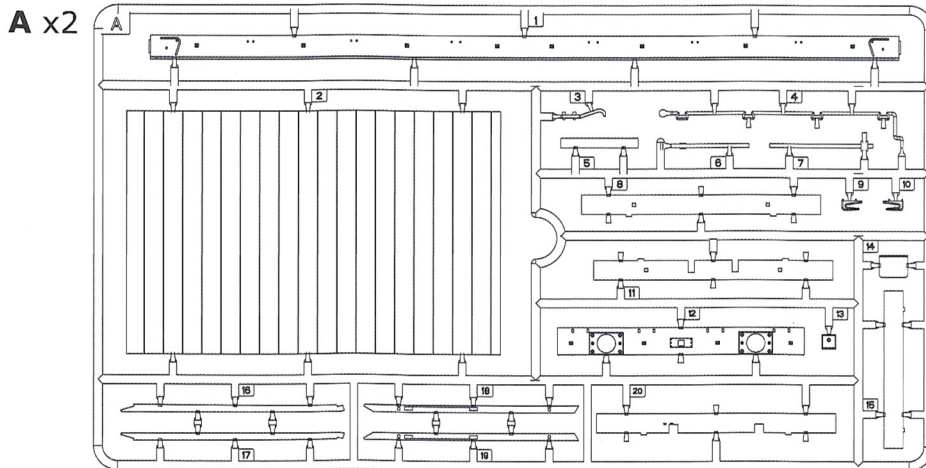
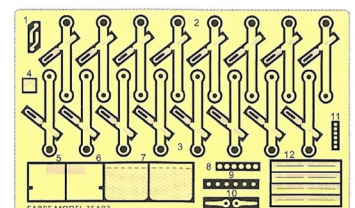
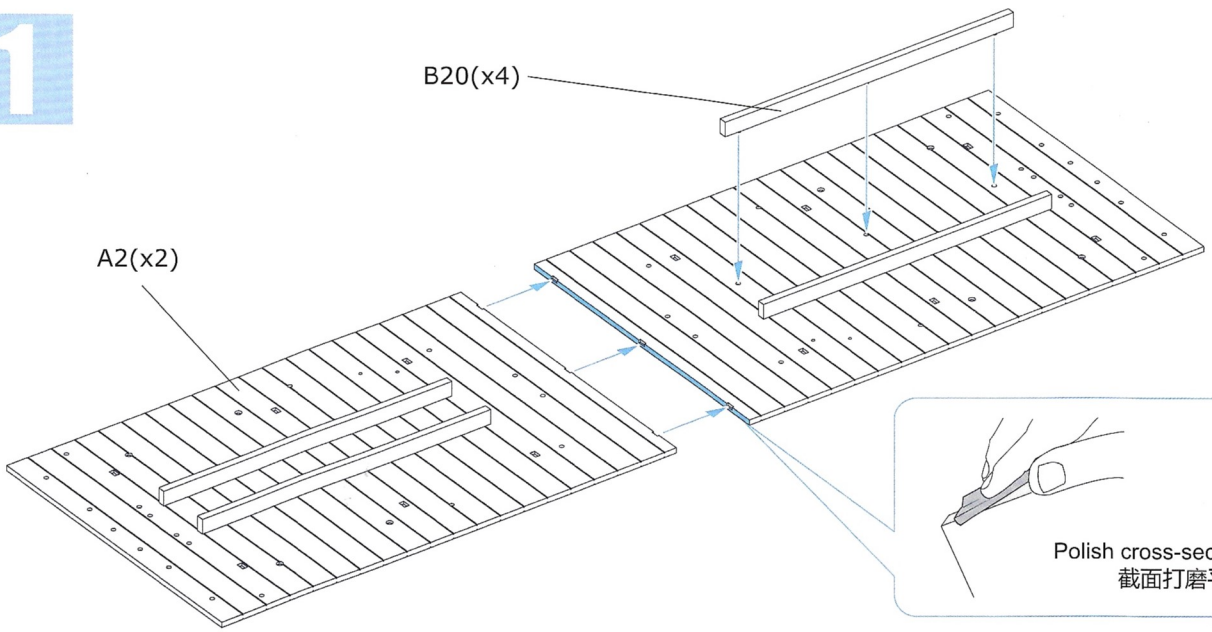


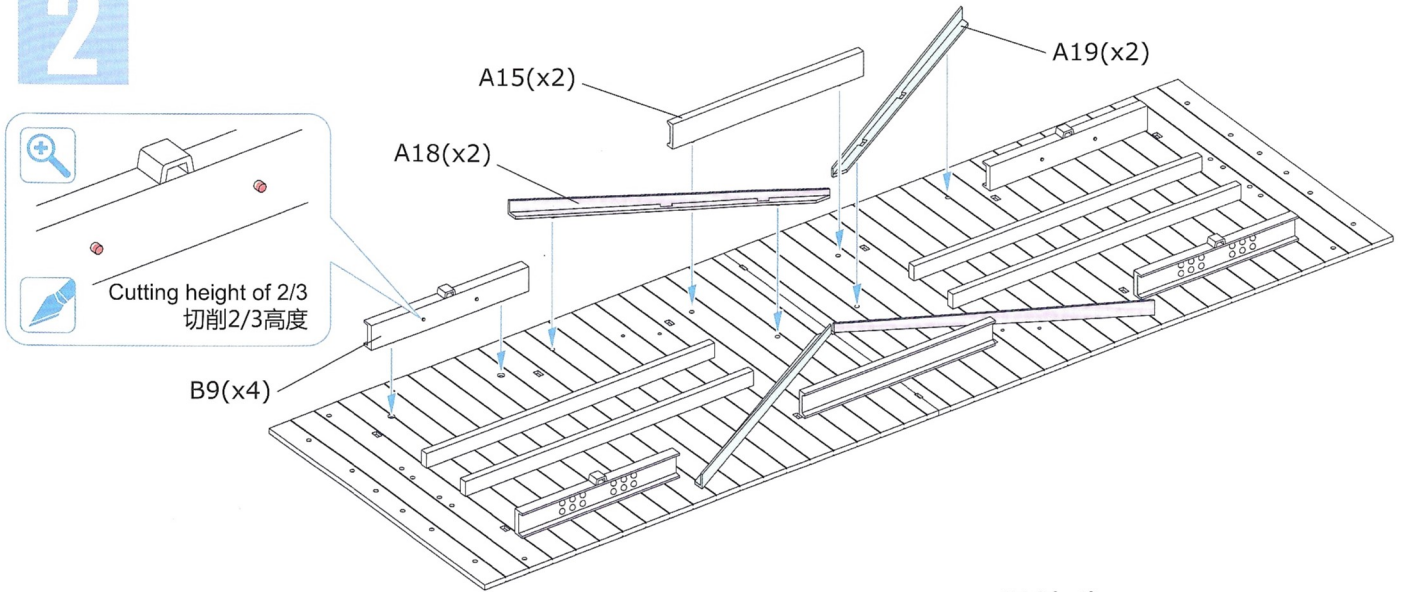
Photo-etched Parts 蚀刻片 x1



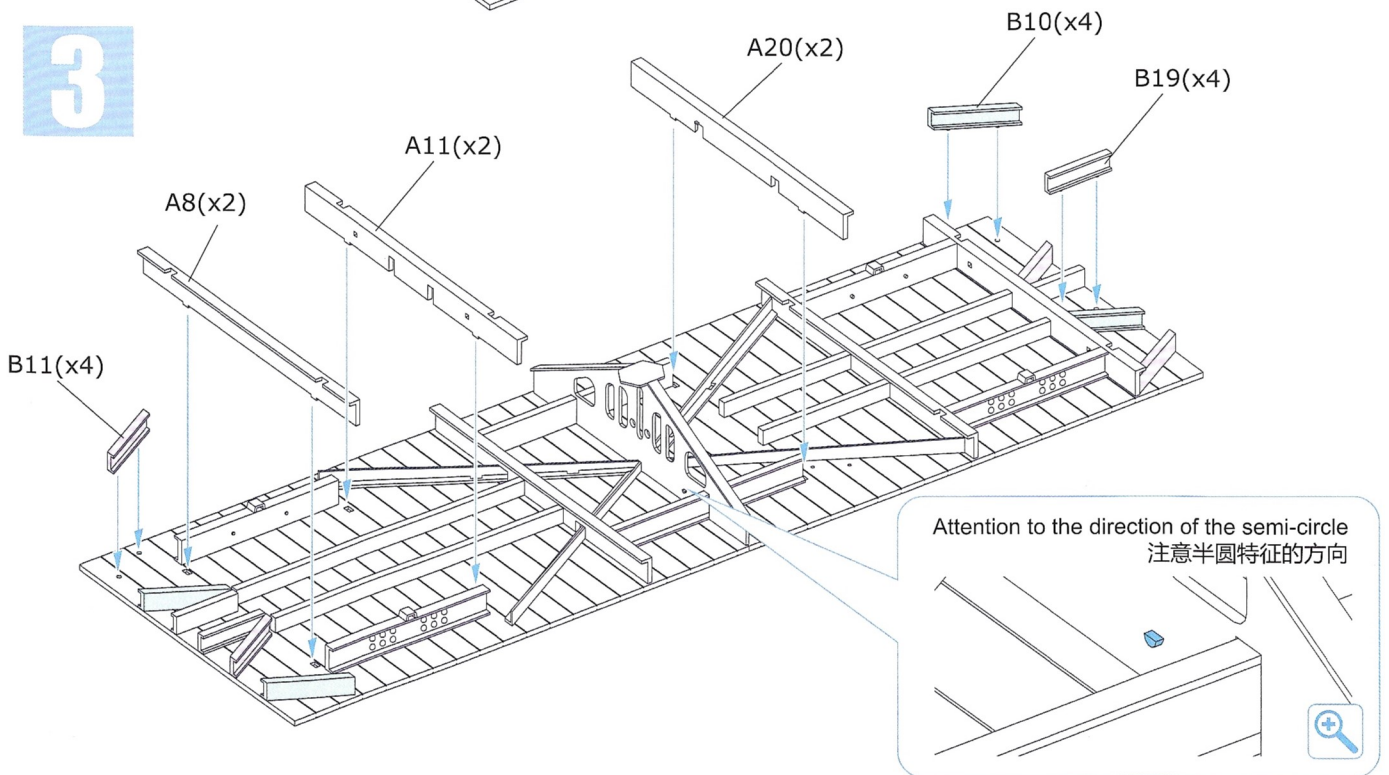
1



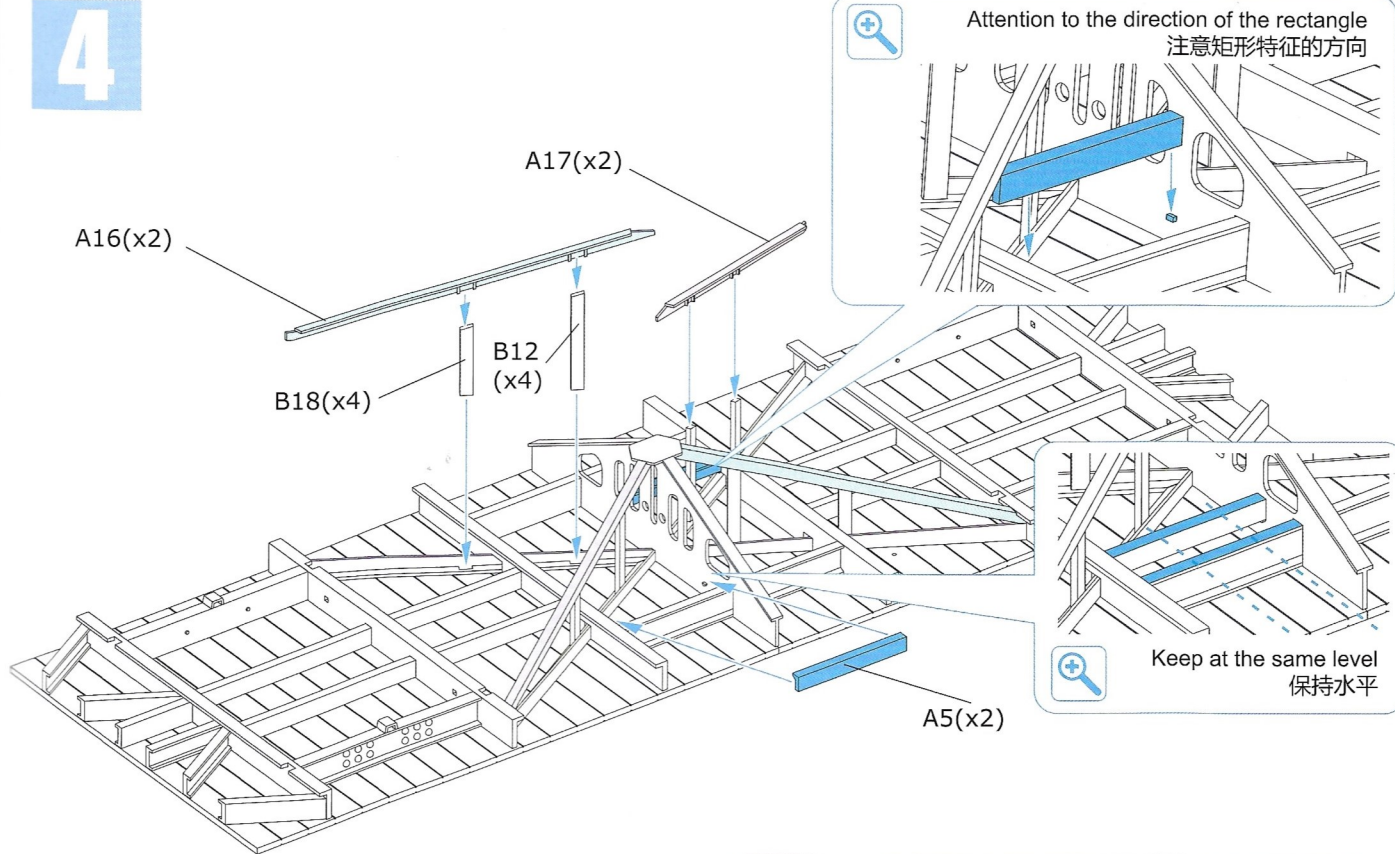
2



3

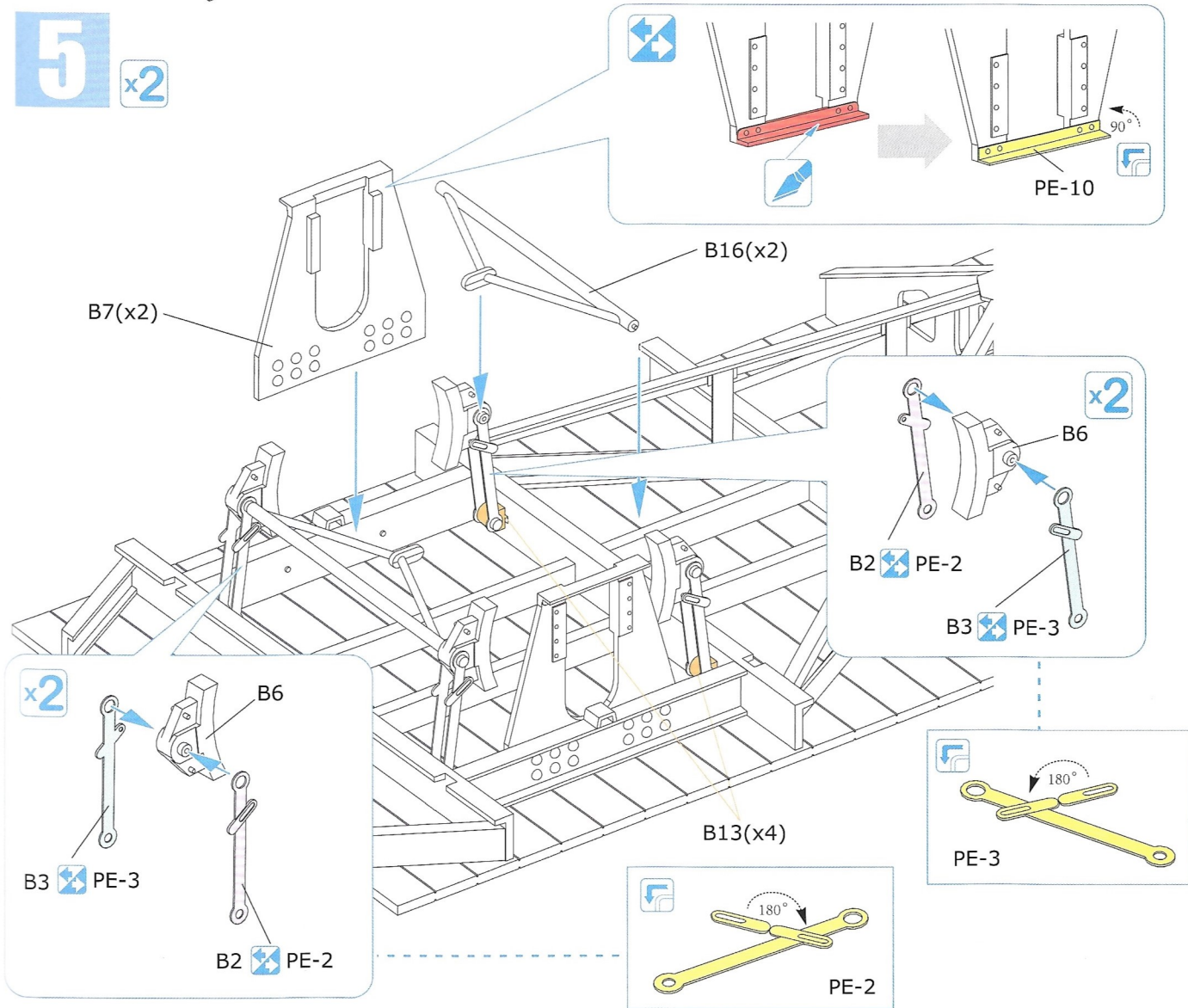


4



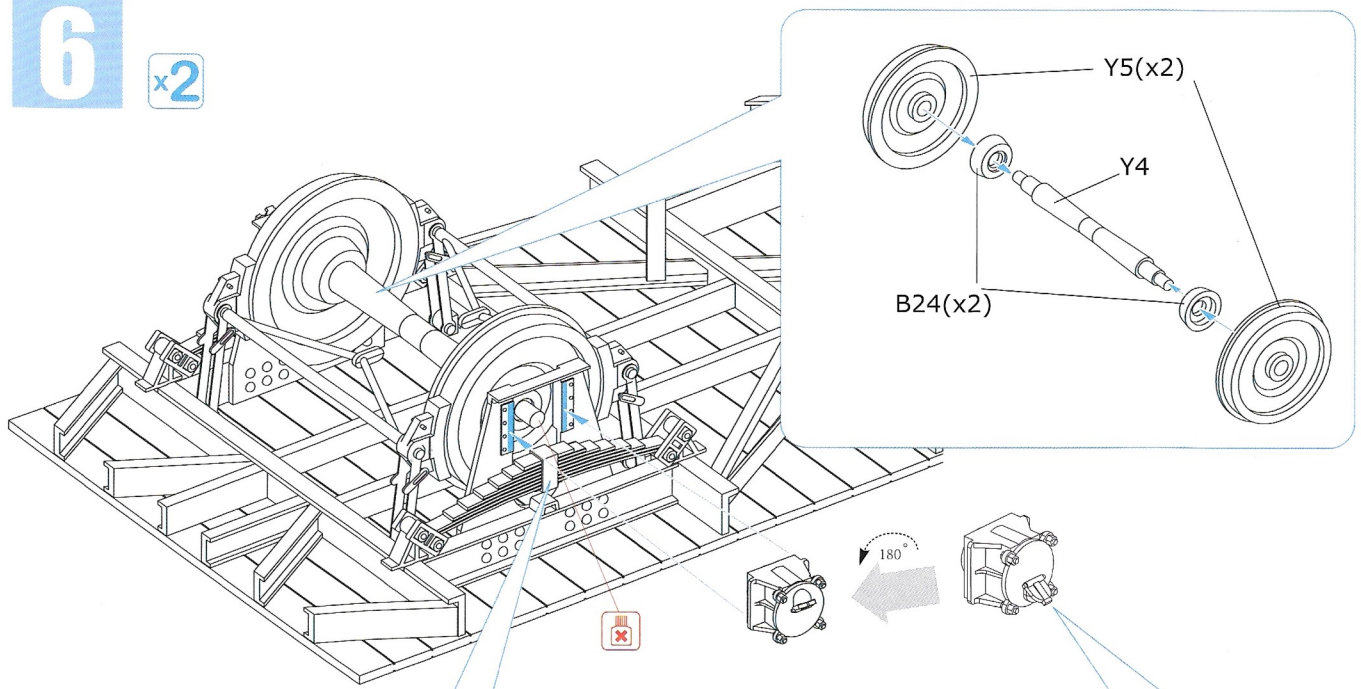
5

x2

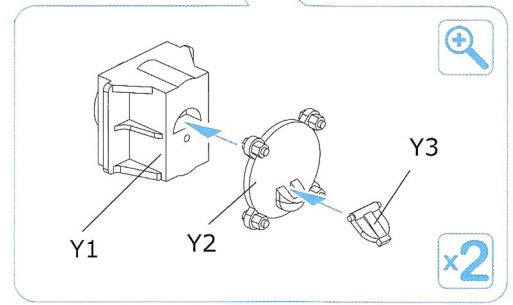
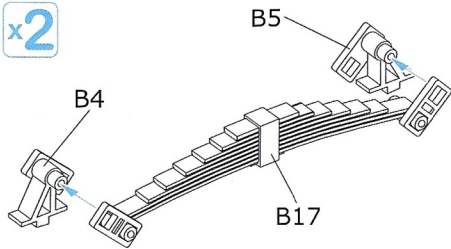


6

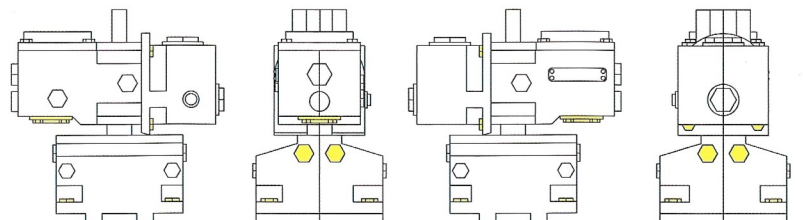
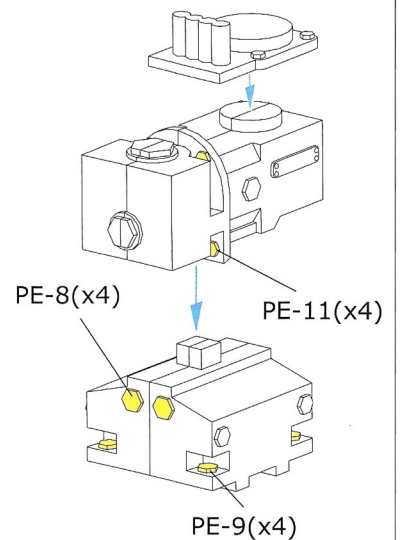
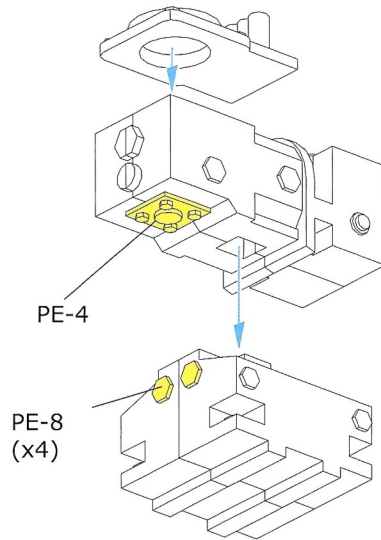
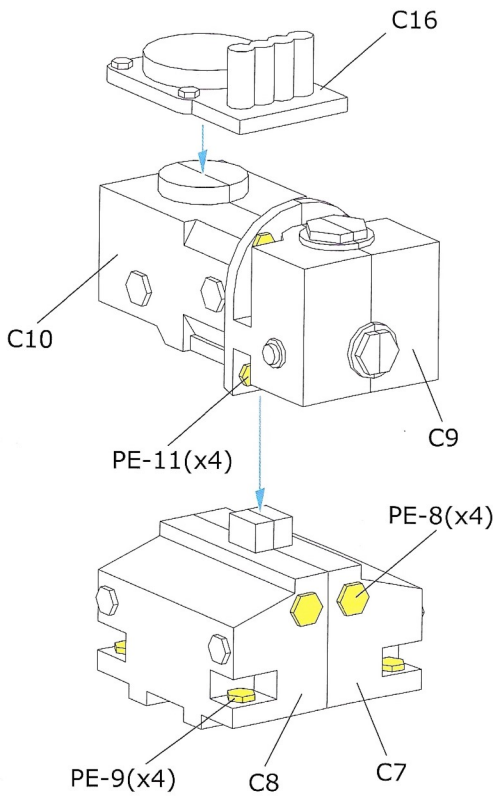
x2



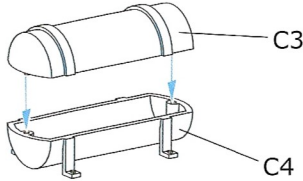
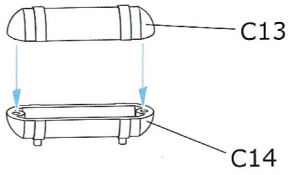
x2



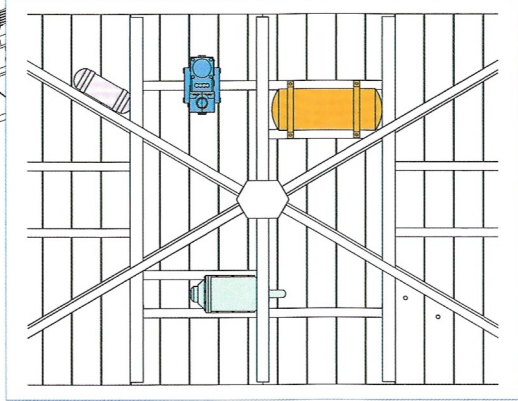
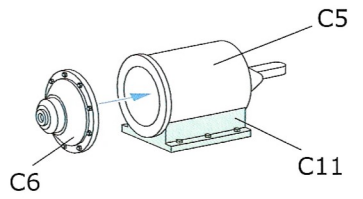
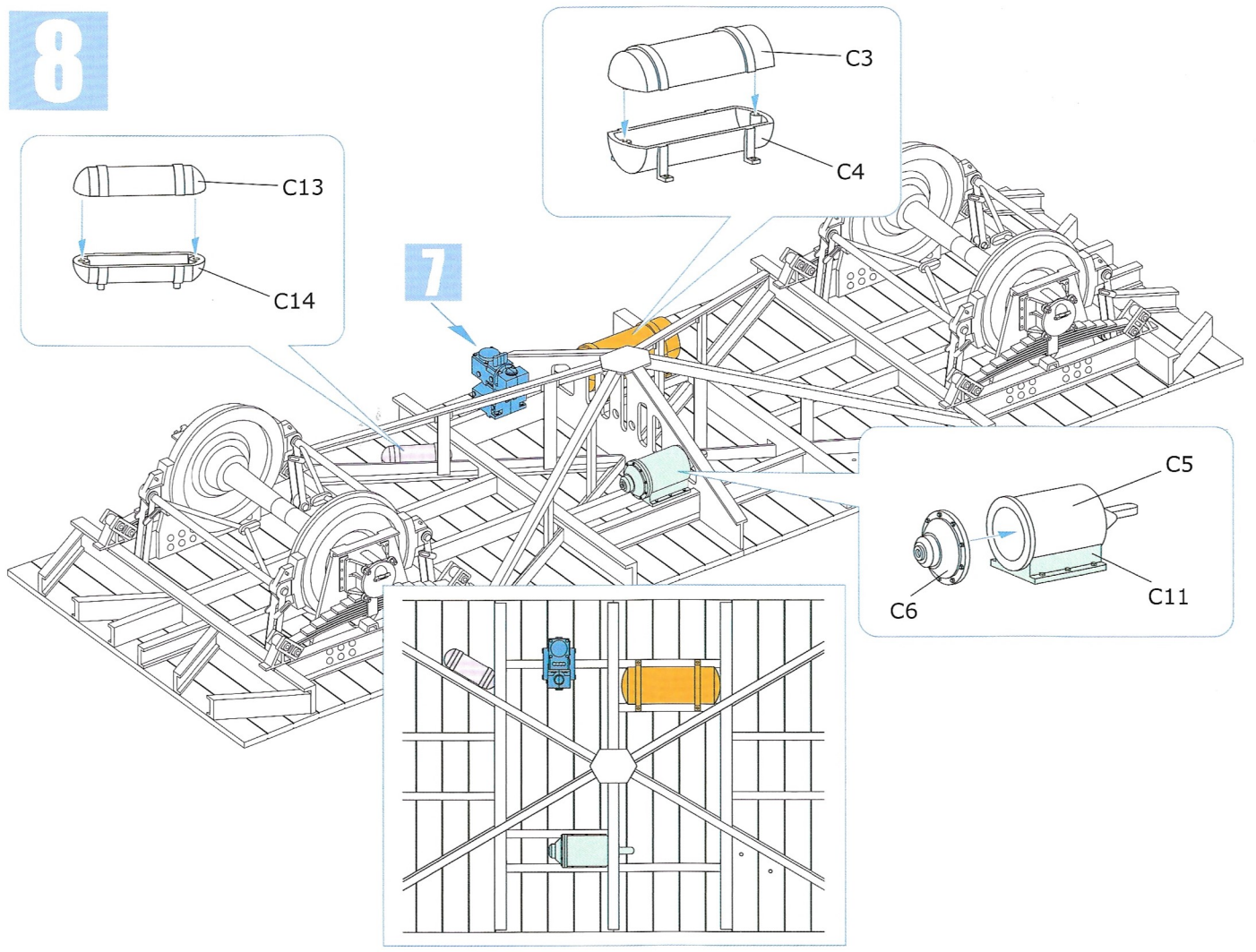
7



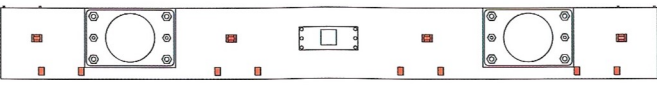
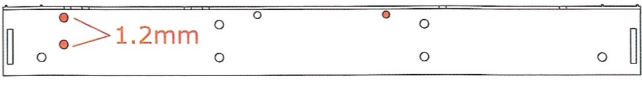
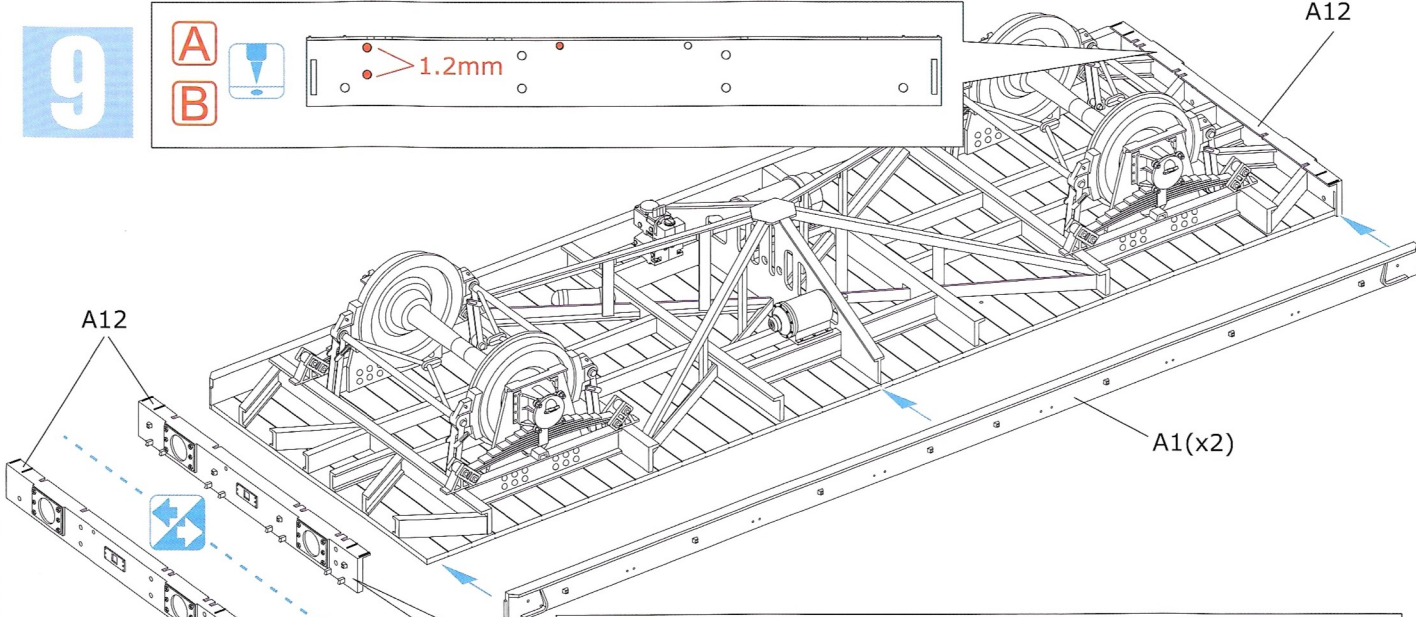
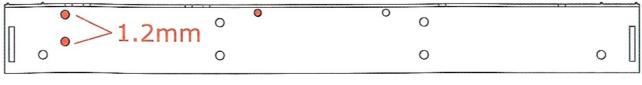
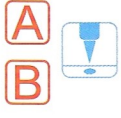
8



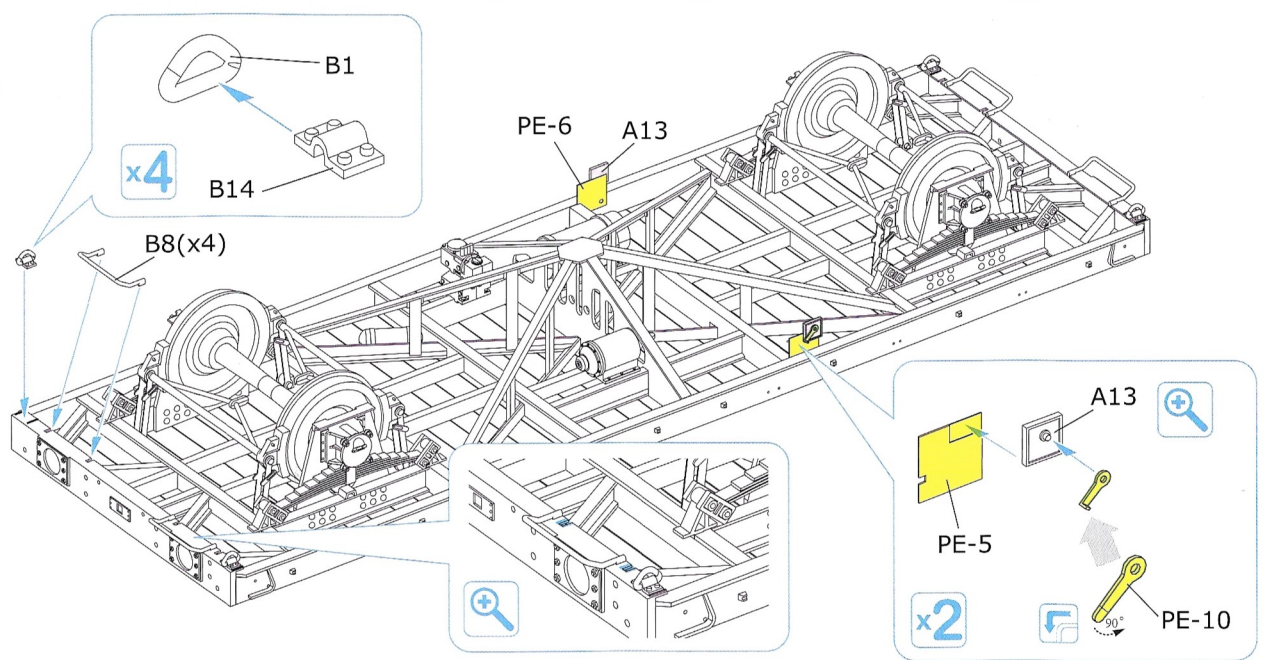
7



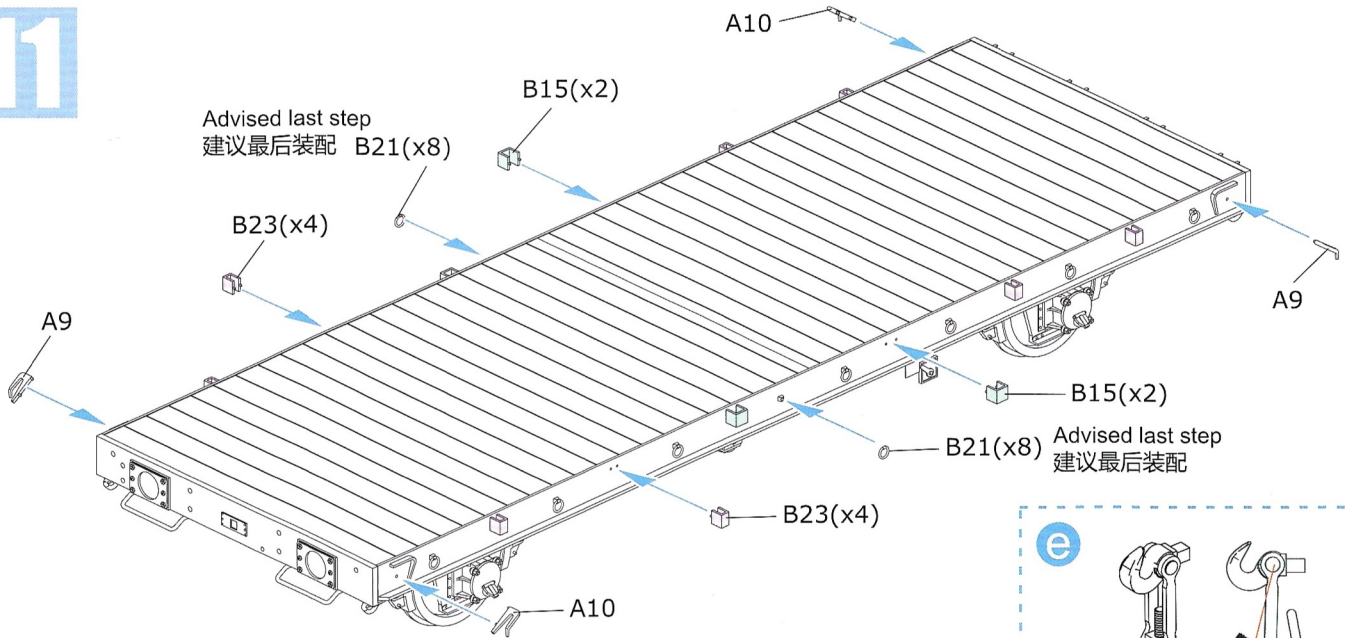
9



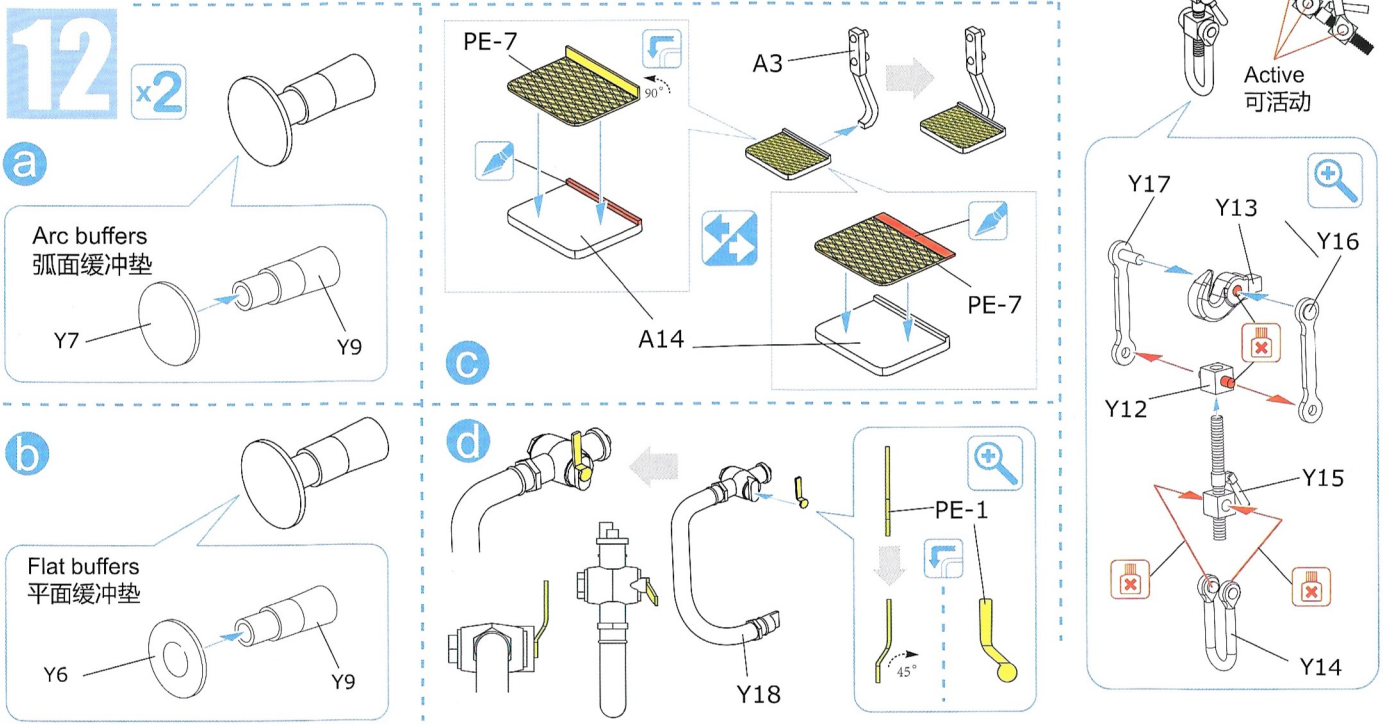
10



11

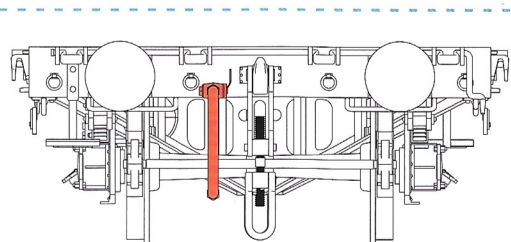
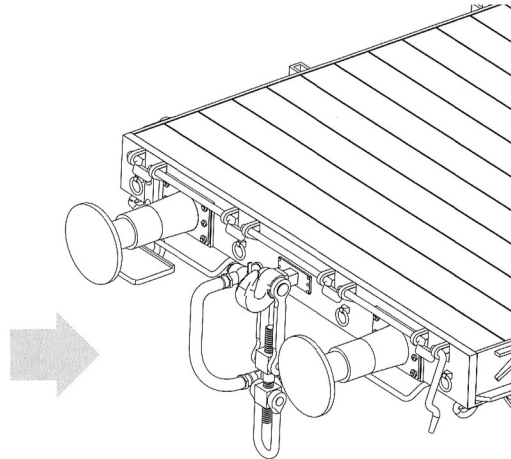
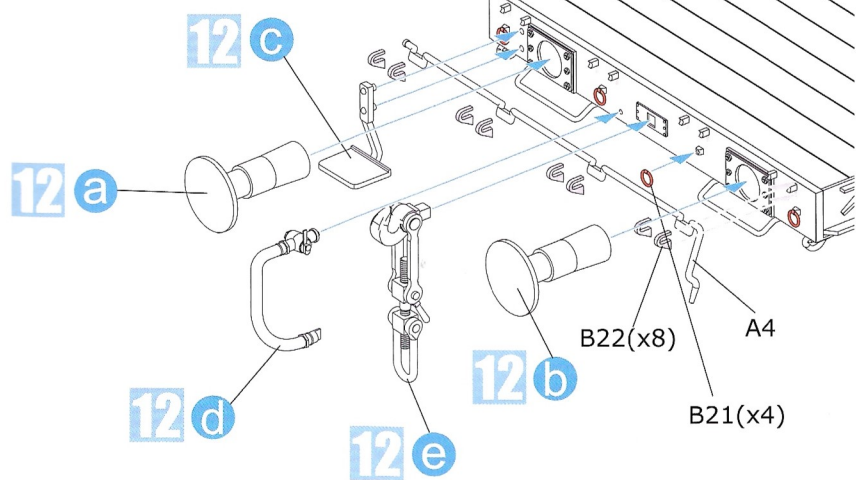
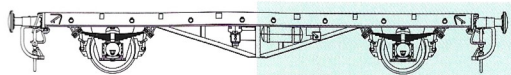


12



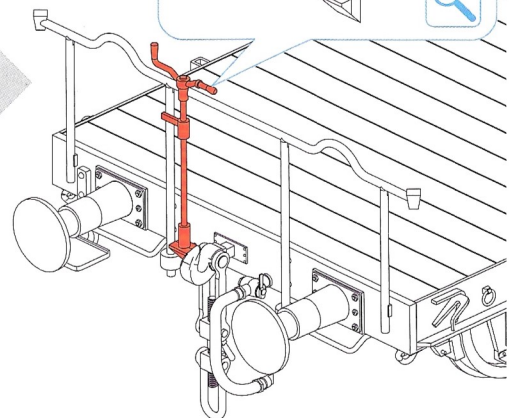
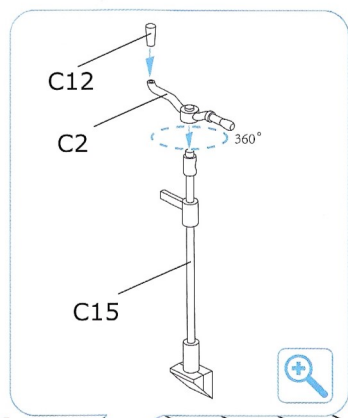
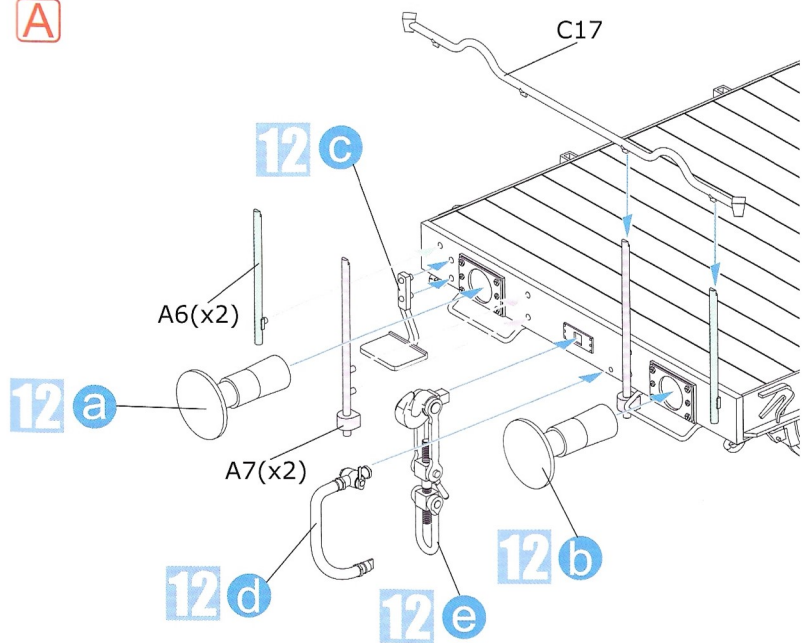
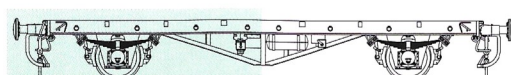
13

A B

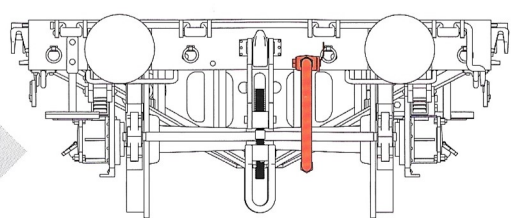
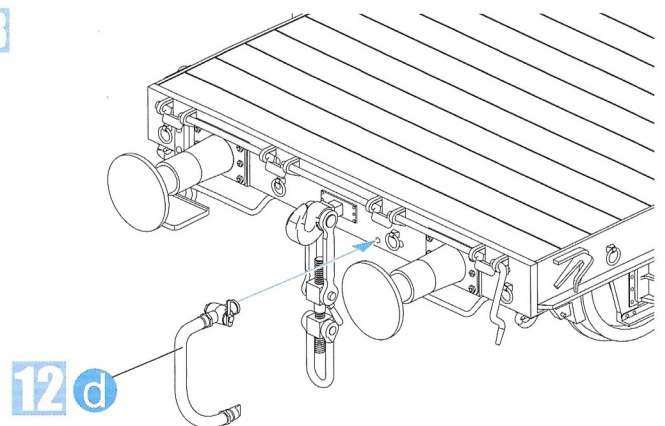


14

A

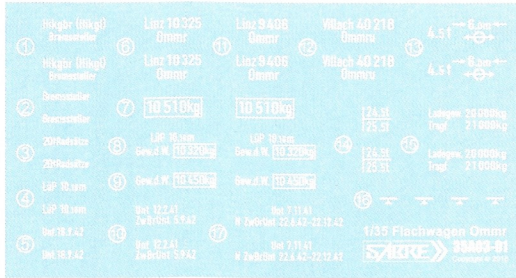


B = 13



Marking & Painting 涂装和标贴

Decal 水贴

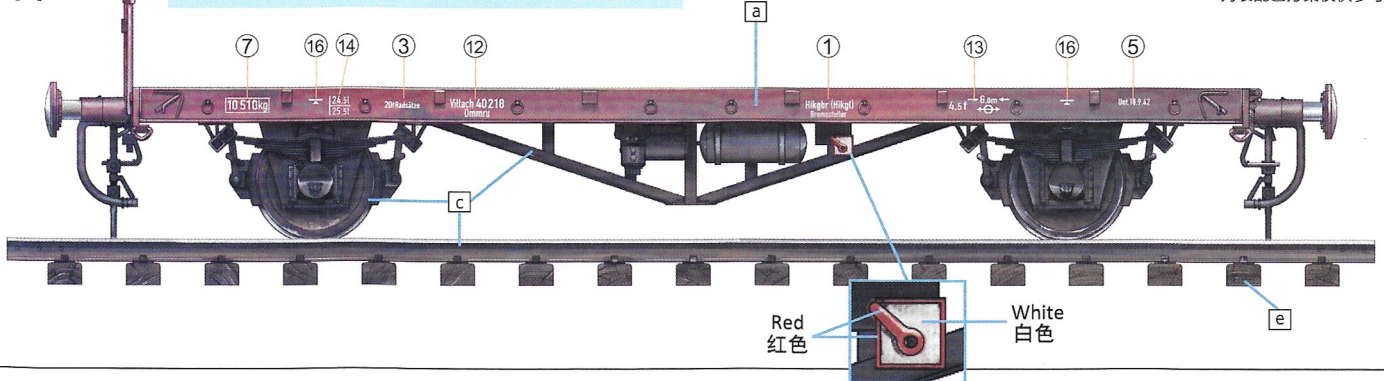


	Color Name	FS/RAL Standard	VIC.	TAMIYA	Mr. HOBBY	Vallejo
a	Old Rust	FS 30040	MA216	XF-68	TC 11	70.302
b	German Grey	RAL 7021	MA019	XF-63	C 40	71.052
c	Gun Metal	RAL 9007	MH002	X-10	C 78	71.073
d	Wood Base	FS 30475	MA018	XF-78		70.819
e	Wood Brown	RAL 8007	MA015		C 43	71.032

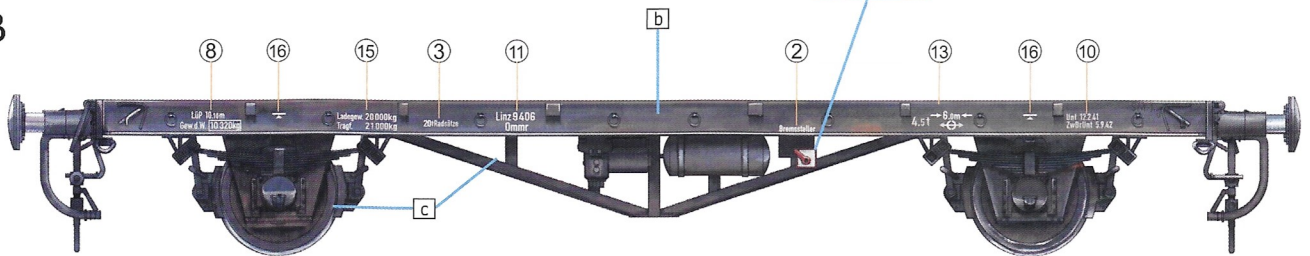
* List color scheme is for reference only

* 列表配色方案仅供参考

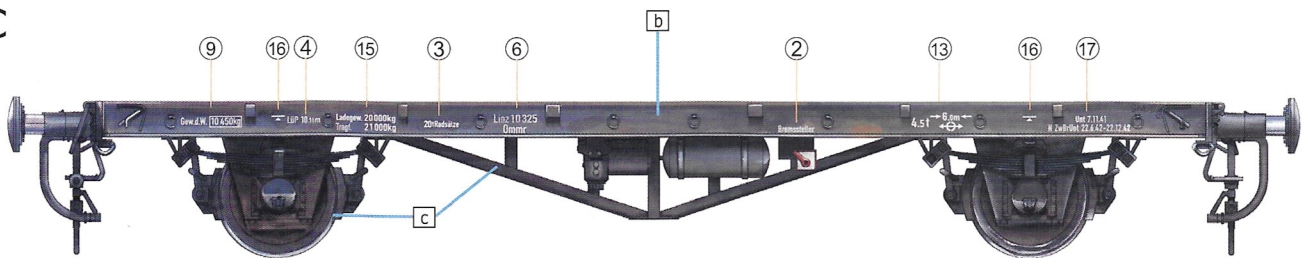
A



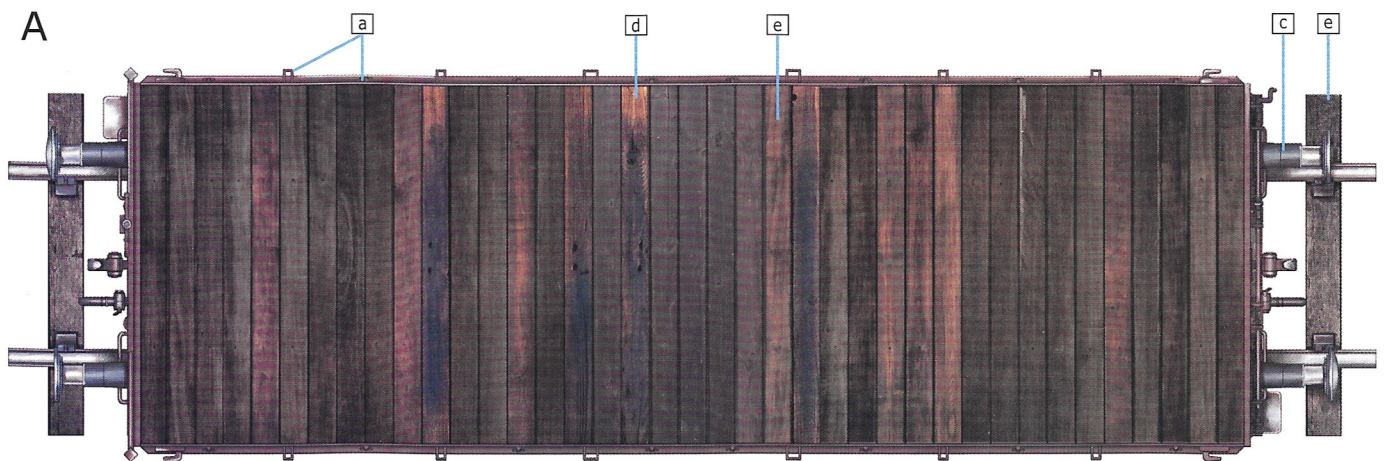
B



C



A



Decal application

1. Clean model parts surface with wet cloth.
2. Cut each required design out of decal sheet and dip them in clean warm water for about 15 sec.
3. Place decal on proper position of kit surface and slide off base paper carefully.
4. Move design to exact position with wet finger tip.
5. Press decal gently down with a soft cloth until excess water and air bubbles are gone.

水贴使用说明

1. 用湿布将模型表面擦拭干净。
2. 按所需标贴形状从水贴纸上剪下，在清洁的温水中浸泡大约15秒。
3. 将水贴取出后放置在模型表面合适位置上并小心将底纸移除。
4. 手指蘸水把标贴移动到模型表面正确的位置上。
5. 用吸水软布轻轻按压水贴，直至挤出标贴纸下多余水份和气泡。



Copyright © 2014-2018
Printed in China
35A03 - 01