

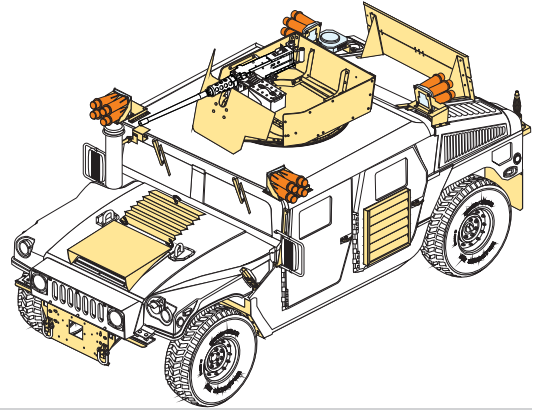
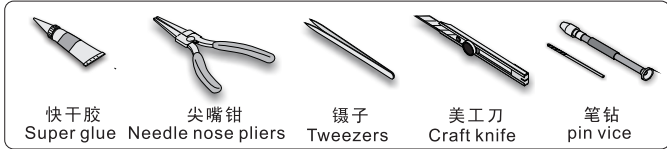
1/35 MILITARY MINIATURE VEHICLE UPGRADE SERIES PE35397

# Modern USMC HUMVEE M1114 w/CIP&Smoke discharger


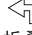








现代美军悍马 M1114 附加装甲型战术  
车辆/带车辆识别板及烟雾弹

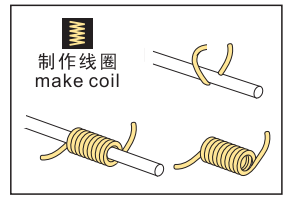
[For Bronco 35080]

■ 推荐使用工具 RECOMMENDED TOOLS



Technical assistance provided by Mr.Ding sen xiang

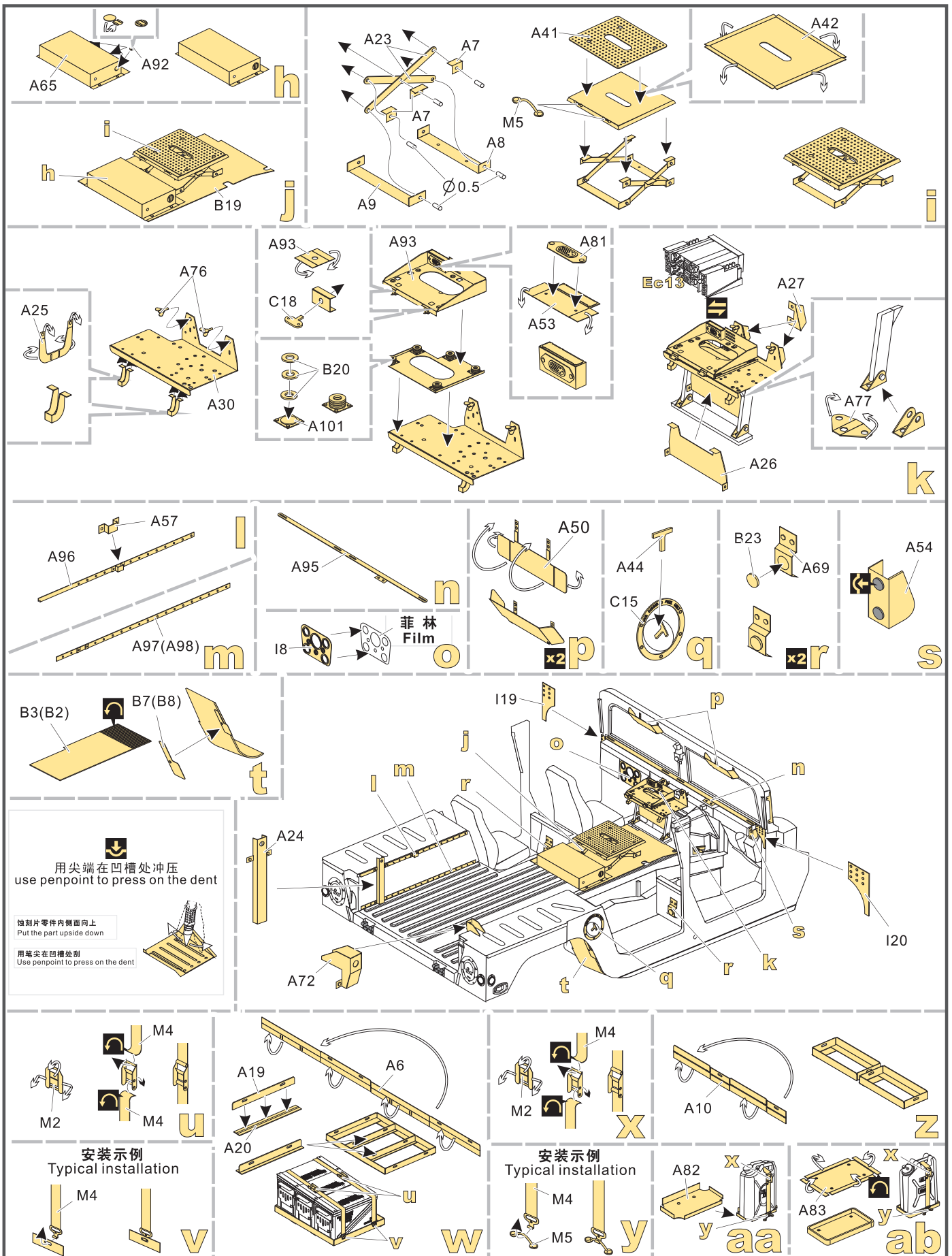
-   
**安装**  
install
-   
**折叠**  
bend
- A1**  
改造件零件编号  
PE/resin part number
- B12**  
原零件编号  
kit part number
- C22**  
被替换的原零件编号  
replaced kit part number
-   
 另一侧相同制作  
repeat on opposite side
-   
**切除**  
remove
-   
**打磨**  
grind off
-   
**弧度卷曲**  
radial bending
- x2**  
制作若干组  
multiple assembly
-   
**选择安装**  
alternative
-   
**钻孔**  
drill
-   
**填补**  
fill
-   
**用胶棒制作**  
make from plastic rod



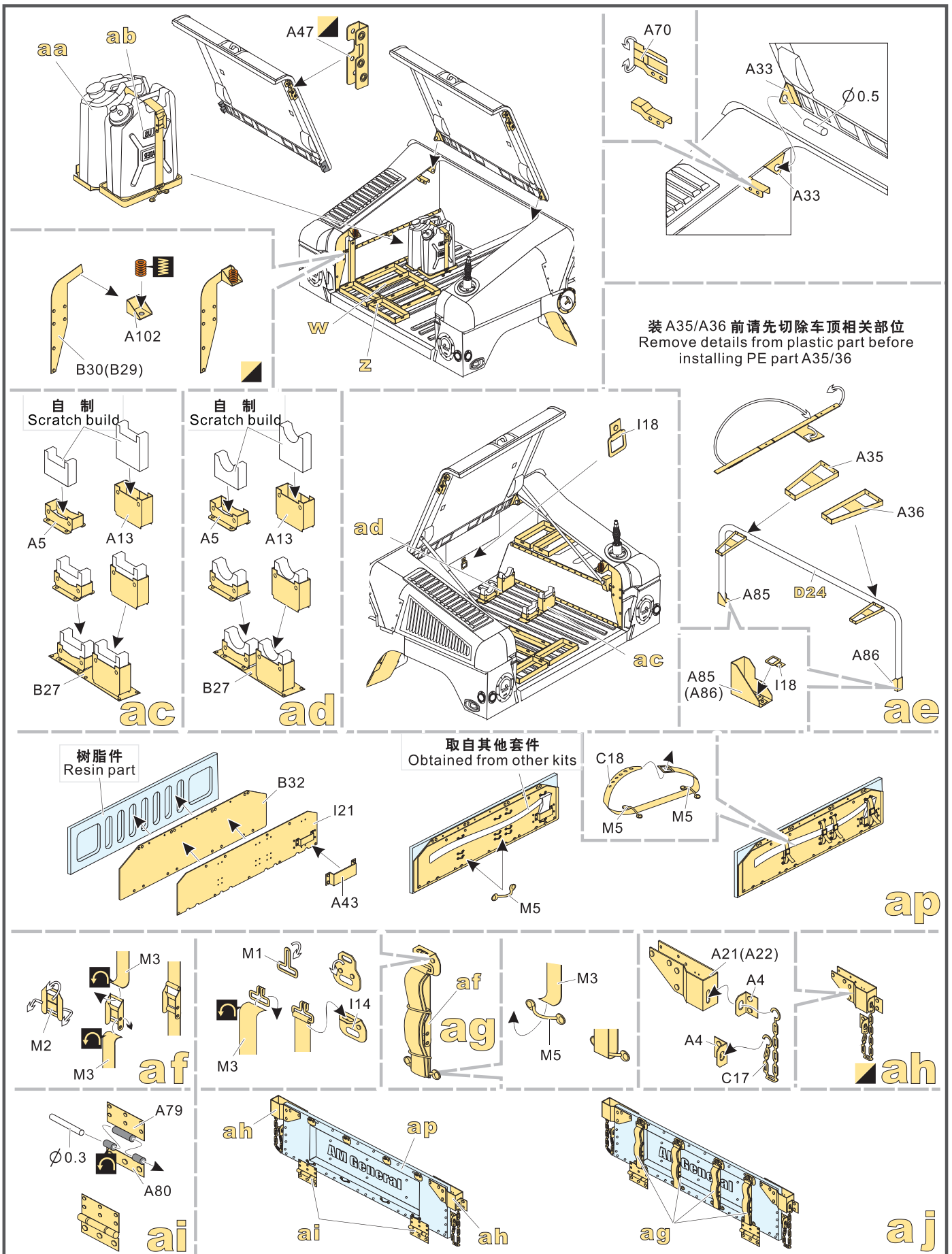
The main assembly diagrams are organized into several sections:

- Seats (a, b, c):** Shows the assembly of seats G7, G6, G2, G4, G10, G13, G16, G19, and G3. Part G12 is also shown.
- Interior Panels (d, e):** Shows the installation of long interior panels G11 and G17 (x4) and G18 (x4).
- Interior Components (f, g):** Shows the installation of components G15 (x4) and G14 (x4).
- Exterior/Interior Panels (a, b, c):** Shows the installation of panels A61, G8, and I11(I12).
- Front/Back Panels (A89(A90), A62, A55, A52, A56, B6):** Shows the installation of various front and back panels.
- Custom Parts (A2(A1), A58):** Shows custom-built parts A2(A1) and A58.
- Scratch Build (自制 Scratch build):** Shows a custom-built part A56.

1/35 MILITARY MINIATURE VEHICLE UPGRADE SERIES PE35397



1/35 MILITARY MINIATURE VEHICLE UPGRADE SERIES PE35397



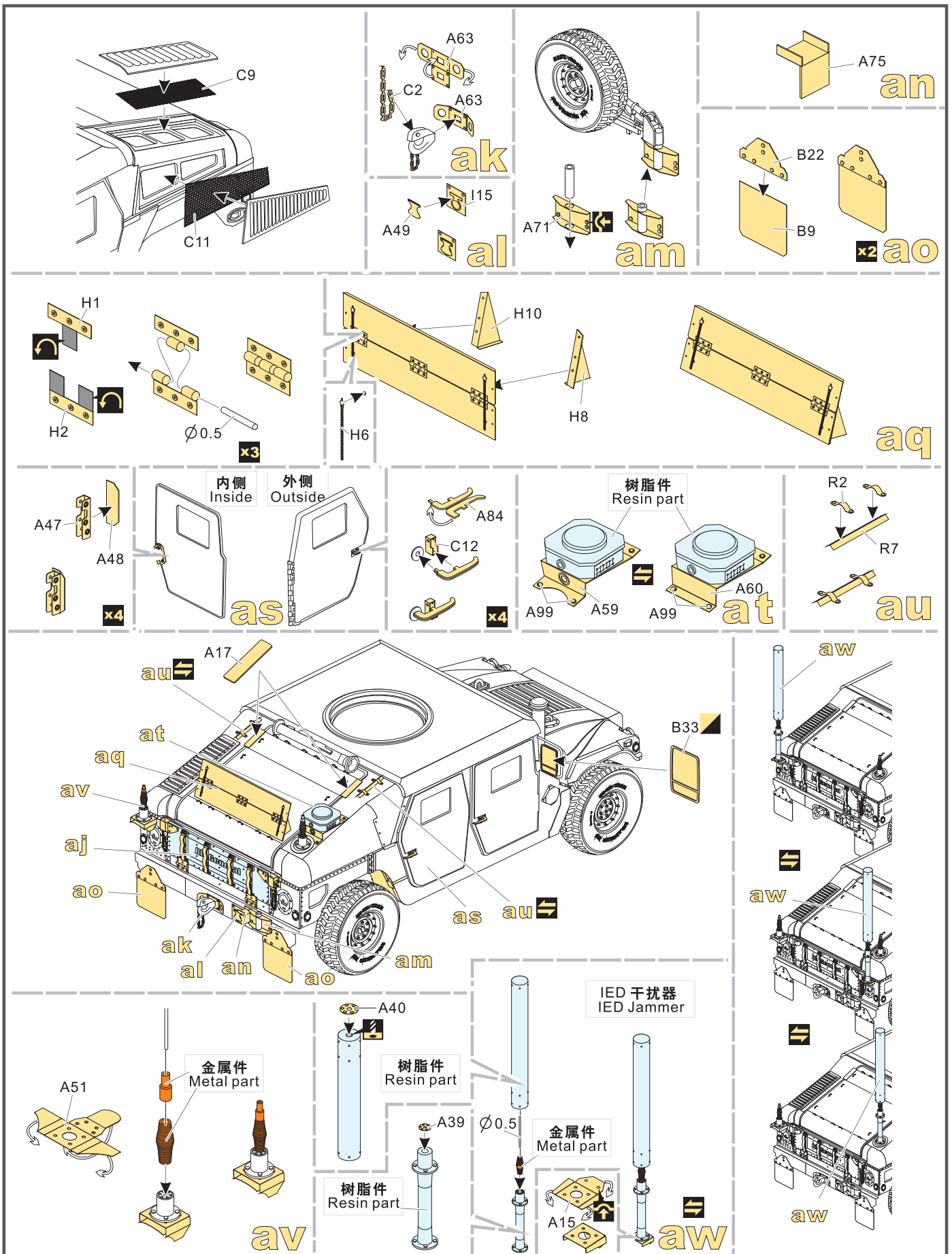
装 A35/A36 前请先切除车顶相关部位  
Remove details from plastic part before  
installing PE part A35/36

取自其他套件  
Obtained from other kits

树脂件  
Resin part

3/6

1/35 MILITARY MINIATURE VEHICLE UPGRADE SERIES PE35397



1/35 MILITARY MINIATURE VEHICLE UPGRADE SERIES PE35397

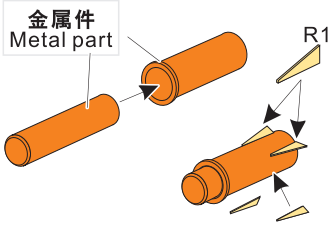
<http://www.voyagermodel.com/productdetails.asp?itemid=PE35397>



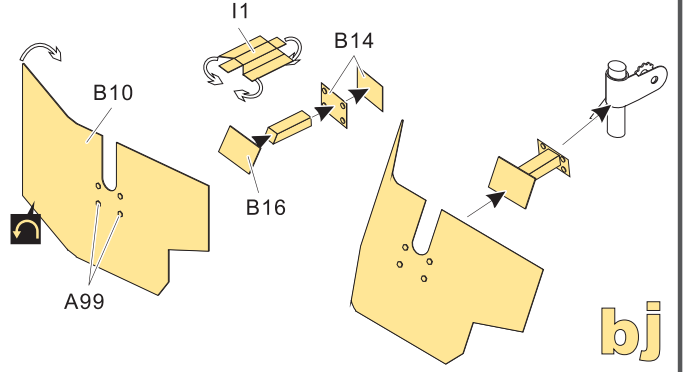
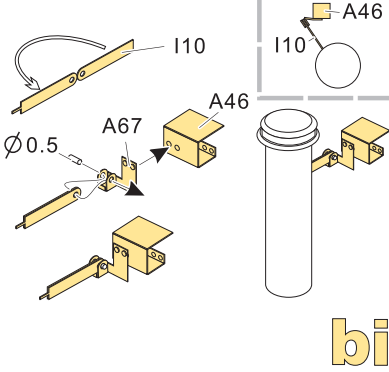
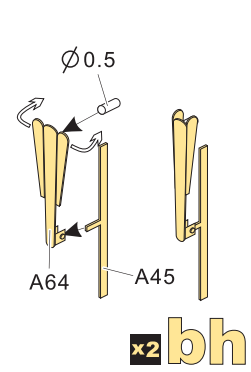
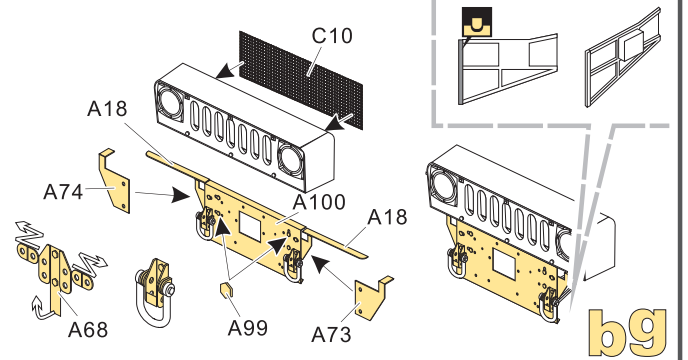
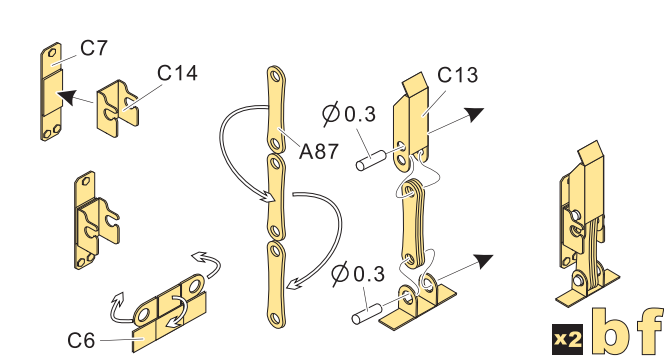
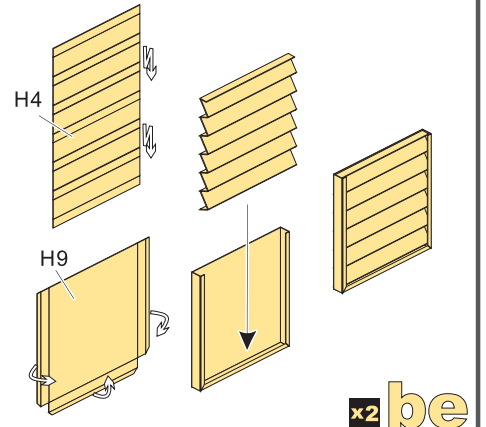
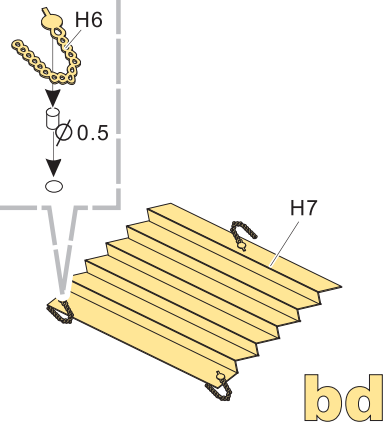
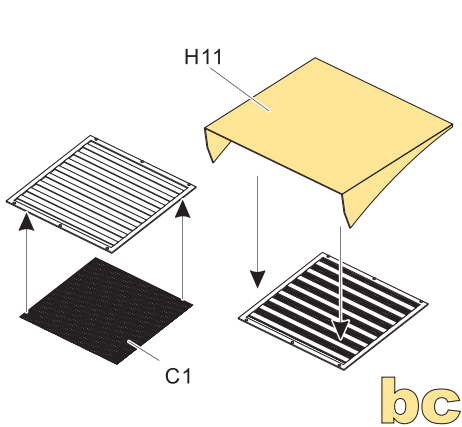
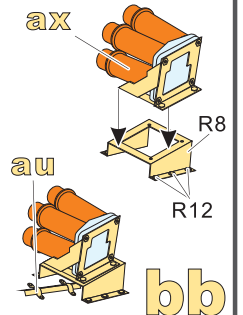
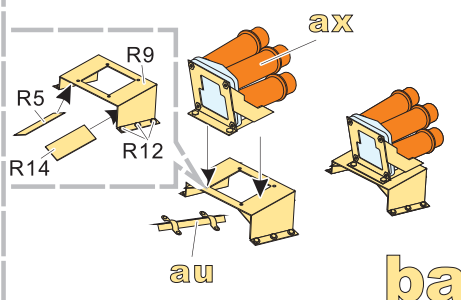
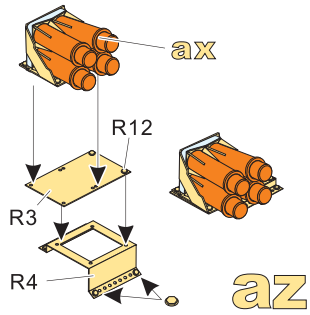
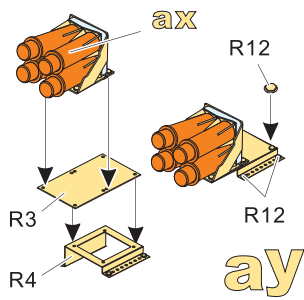
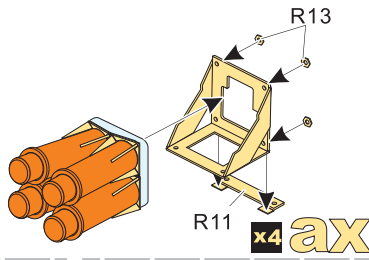
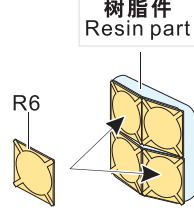
**VOYAGER  
MODEL**



更多PE35397样品照片请参考扫一扫  
MORE PICTUER OF PE 35397  
REFERENCE SCAN HERE



树脂件  
Resin part



1/35 MILITARY MINIATURE VEHICLE UPGRADE SERIES PE35397

**自制垫圈**  
Make rubber cushion  
With plastic sheet

0.5mm  
1.5mm

**自制垫圈**  
Make rubber cushion  
With plastic sheet

**自行调整和枪塔相关的塑料件**  
Adjust/modify parts related to turret mount ring  
to achieve proper fit

**剖面**  
Cross section

**自制**  
Scratch build

**VOYAGERMODEL®** 无微不至 极尽享受

Recommended item	
VBS0211	Modern US Army HUMVEE carried M2 machine gun
PEA 230	Modern USMC HUMVEE CIP
PEA 231	Modern HUMVEE family road wheels w/spare wheel
PEA 232	Modern USMC HUMVEE M1114 Space Armour
PEA 233	Modern HUMVEE family smoke discharger
PEA 234	USMC HUMVEE family High back seats w/ seat belts
PEA 235	Modern US Army Duke IED JAMMERS
PEA 236	Modern US Army HUMVEE carried Mk19
PEA 237	Modern US Stryker family Duke IED JAMMERS
PEA 245	HUMVEE/DUMVEE Super Swaper wheels w/spare wheel