

# CH-47D “CHINOOK”

## 1:35 Scale

## CH-47D “支努干”

### READ BEFORE ASSEMBLY

- Study and understand these instructions thoroughly before beginning assembly. Make sure all parts are included by comparing them to those shown on pages 2 & 3 of these instructions.
- Remove parts from sprues as needed, and trim excess with a hobby knife. Be careful not to lose small parts.
- Remove photo-etch parts from sprue as needed using a hobby knife or photo etch cutter.
- Apply cement to photo etch parts as shown on instructions. Applying too much cement will restrict the operation of these

movable parts. Apply cement carefully! Removed photo etch parts can have sharp edges. Take care when handling these to avoid injury.

- Apply decals to necessary parts prior to assembly.
- Additional tools recommended(not included):Sprue cutter, Long nose pliers, hobby knife, file, tweezers, pin vise, scissors, cement, sandpaper, soft cloth, glue and paint.
- Keep all parts out of reach of children, as they pose a choking hazard. Discard all unnecessary bags and sprues when model is completed to avoid accidental injury.

### 装配之前仔细阅读

- 小心用模型锉刀锉平所有零件表面的注射浇口。
- 小心用刀片切下蚀刻片零件，不要遗失小零件。
- 用强力快干胶水粘合蚀刻片零件和金属轴。过量的快干胶水使用可能导致可动零件会粘住，小心涂胶。
- 取蚀刻片时应特别注意安全，防止利边划伤手指。
- 某些零件表面需贴水上贴纸，请选择在装配的同时进行。
- 推荐模型工具(自备)：胶水，水口剪刀，长咀钳，刀片，锉刀，镊子钳，钻，剪刀，瞬间快干胶。
- 软布同砂纸同时也应该是必备工具。
- 请使用塑料胶水和油漆，模型内不含。
- 谨防小孩吮吸塑料零件，或者将塑料袋套在头上，制作时应将套材远离小孩接触。

### 水贴纸的使用:

1. 从水贴纸上剪下印花;
2. 将印花放入温水中浸10秒, 然后放在干净布上。
3. 拿着印花纸板将印花移到模型上;
4. 手指蘸水将印花移到适当的位置;
5. 用软布轻压印花直至水干, 气泡消失。

### DECAL APPLICATION

1. Cut off decal from sheet.
2. Dip the decal in tepid water 40°C for about 10 sec. and place on a clean cloth.
3. Hold the backing sheet edge and slide decal onto the model.
4. Move decal into position by wetting decal with finger.
5. Press decal gently down with a soft cloth until excess water and air bubbles are gone.



cyanacrylate glue  
使用强力胶



weight  
配重



make hole  
钻孔



cut / remove  
切除



option  
选择



no cement  
不涂胶水



decal  
贴纸



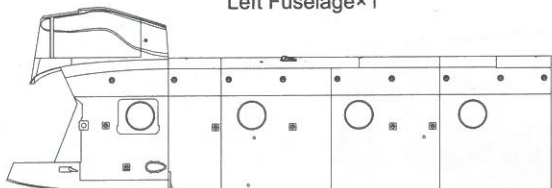
bend  
弯曲



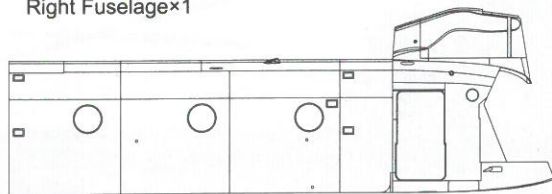
file / sand  
锉平

部品图  
Part

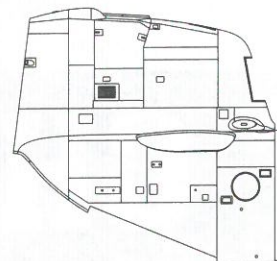
《左侧机身》  
Left Fuselage×1



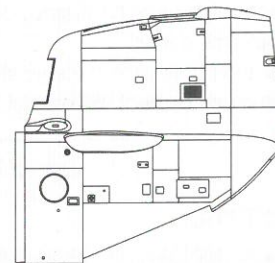
《右侧机身》  
Right Fuselage×1



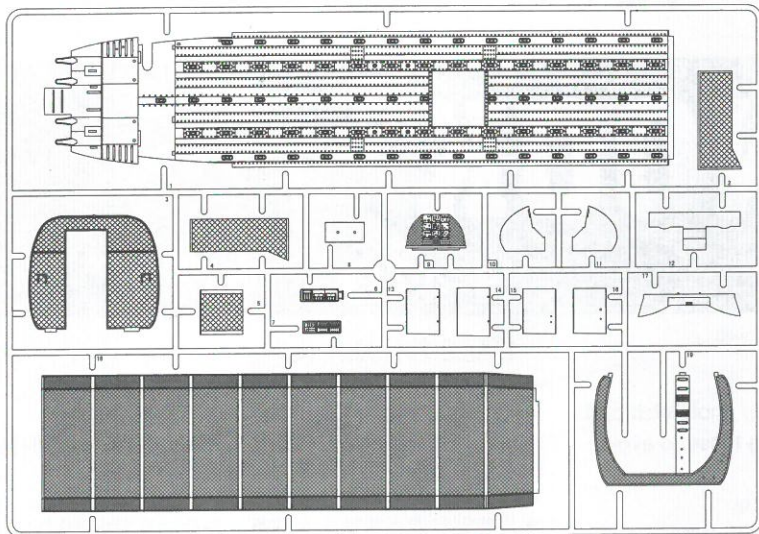
《右侧后机身》  
Right tail fuselage×1



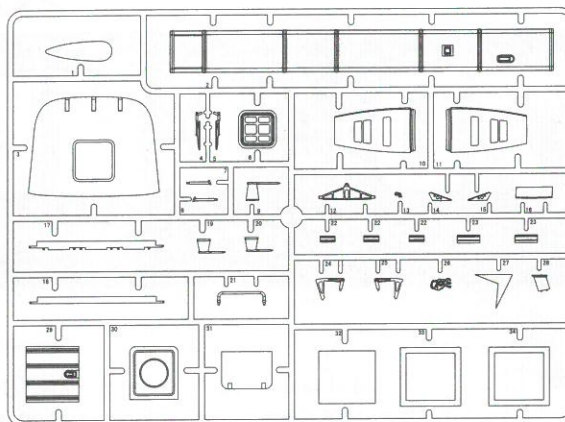
《左侧后机身》  
Left tail fuselage×1



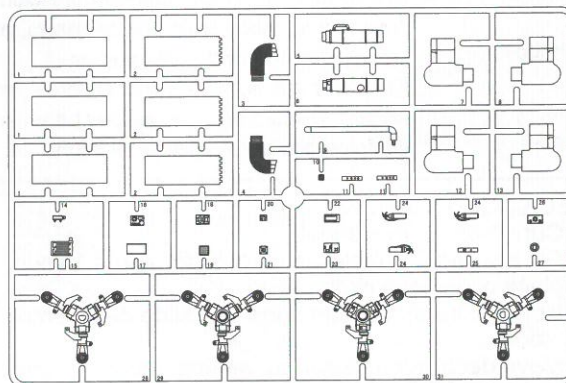
A×1



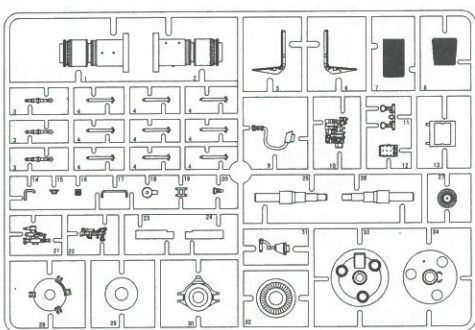
B×1



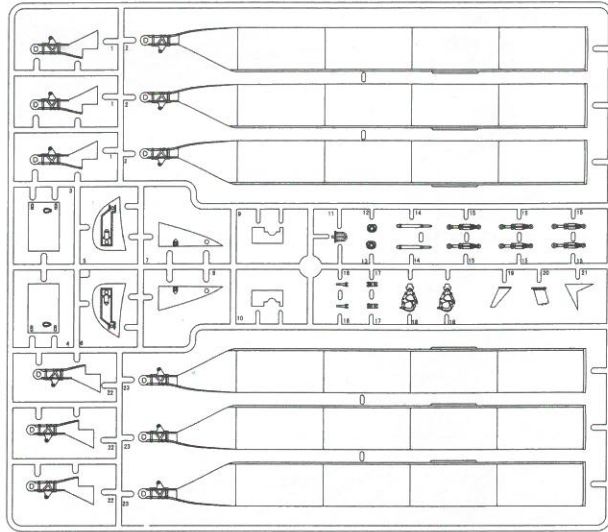
C×1



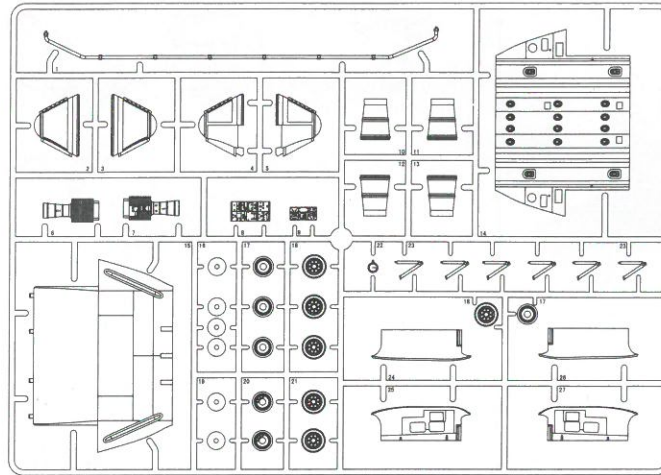
D×2



E×1



F×1

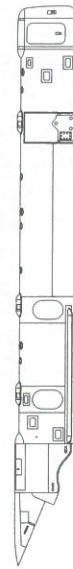
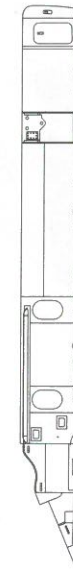


《左侧油箱》

Left fuel tank×1

《右侧油箱》

Right fuel tank×1



《前轮胎》

Fore tires



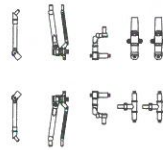
《后轮胎》

Rear tires



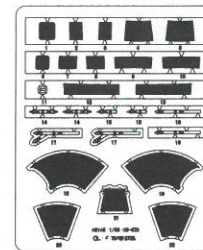
《起落架部件》

MP版



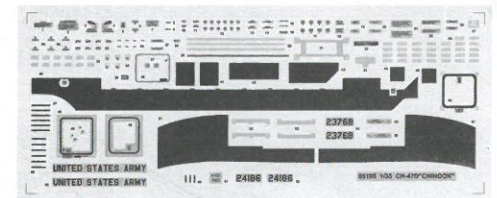
《蚀刻片》

Photo Etched Parts (PE)

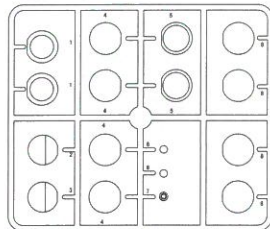


《水贴纸》

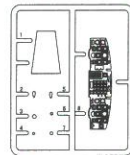
Decal



K×1



L×1



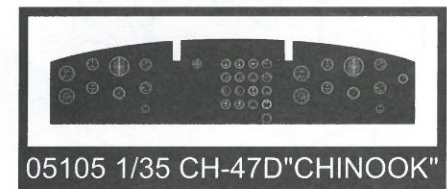
《座舱罩》

Canopy

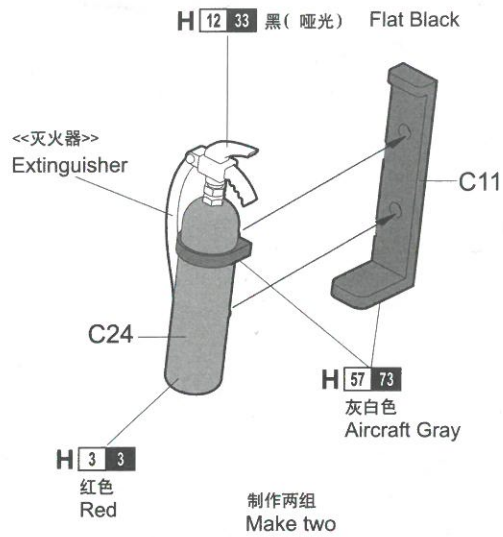


《菲林片》

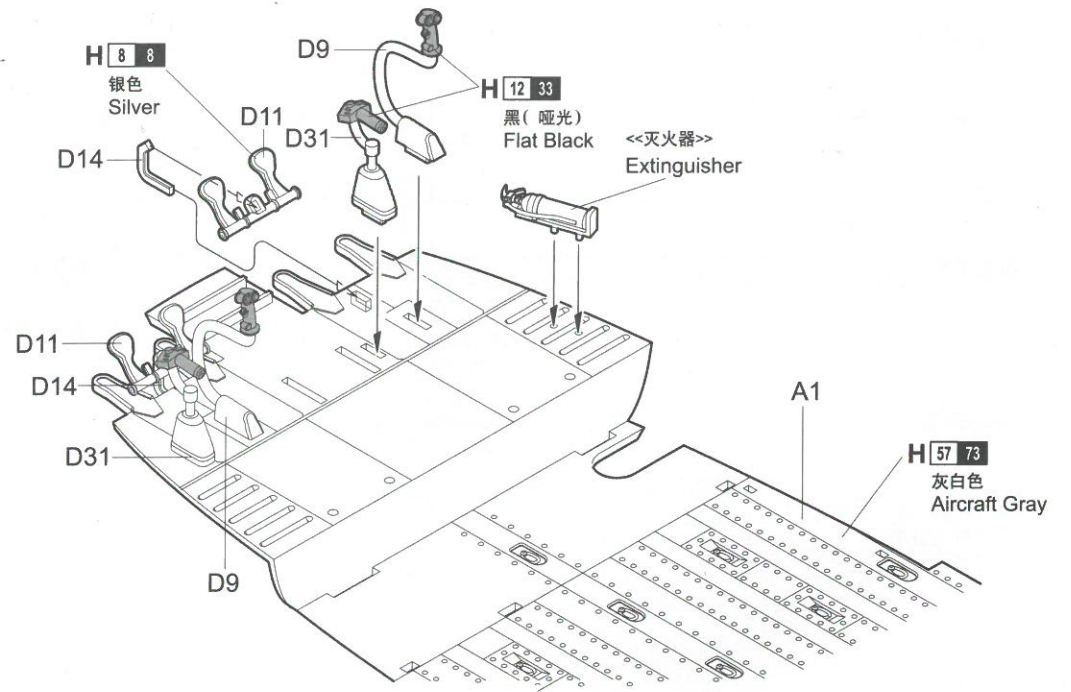
Film



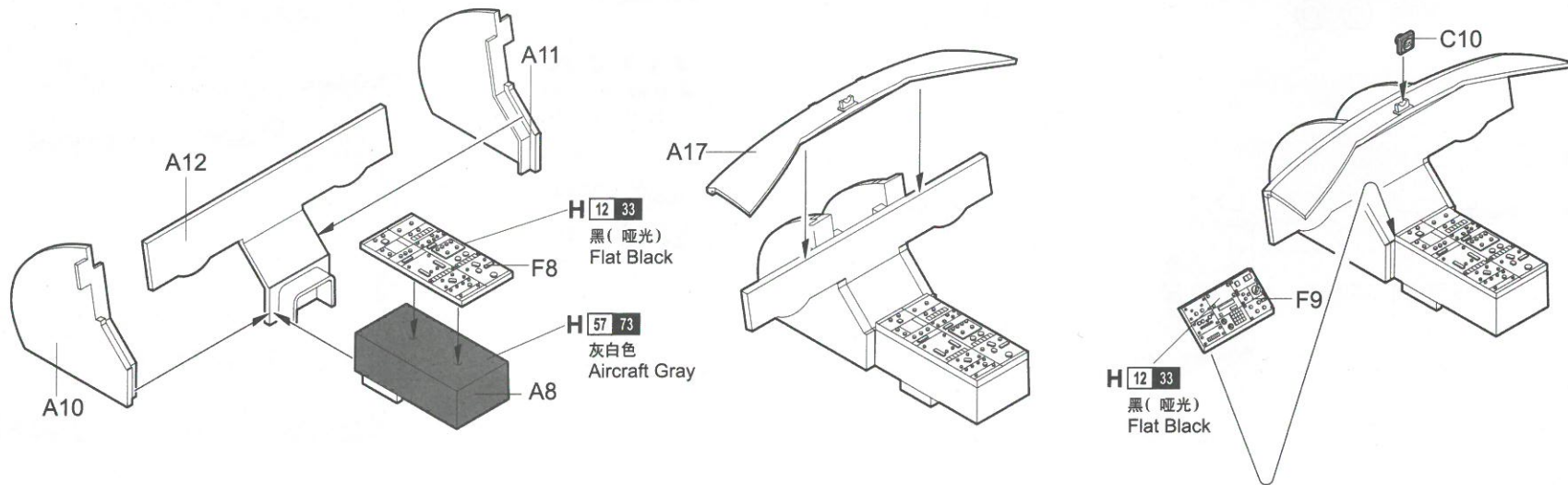
1



2

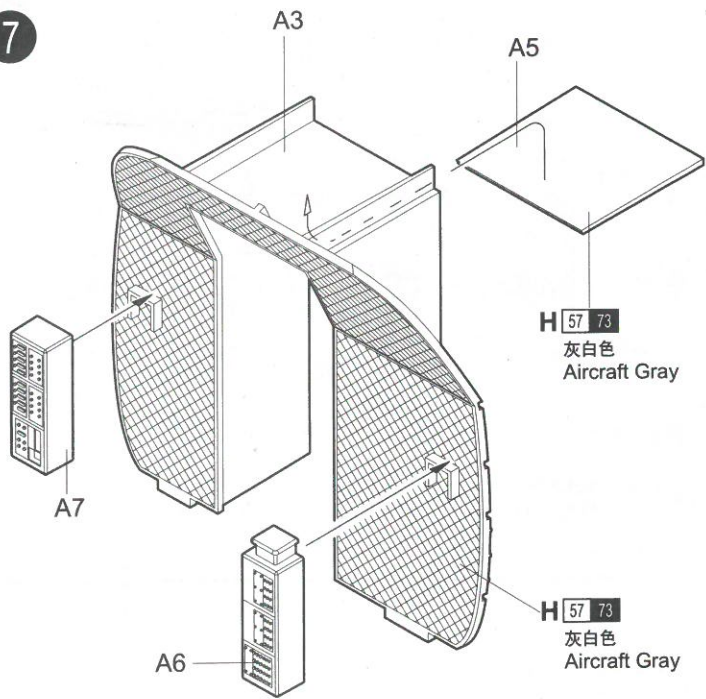


3

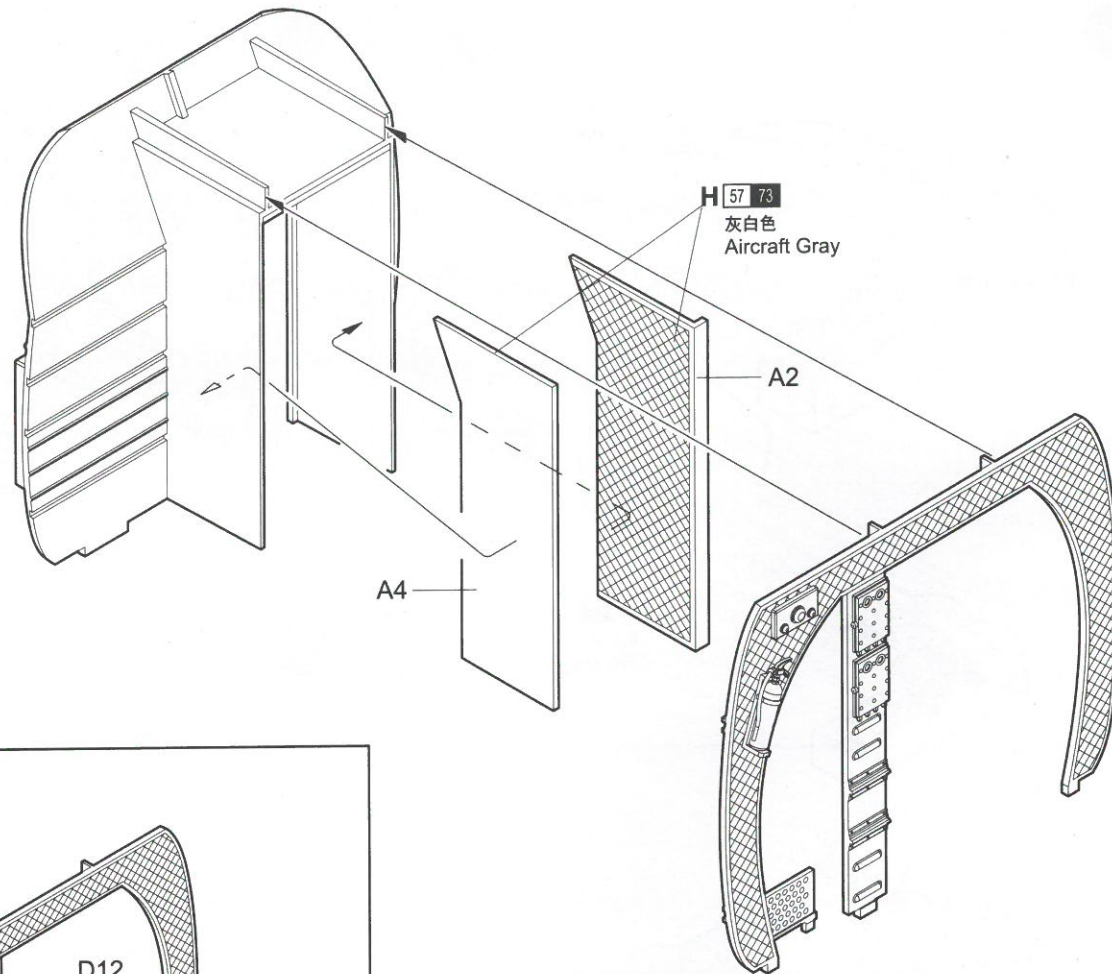




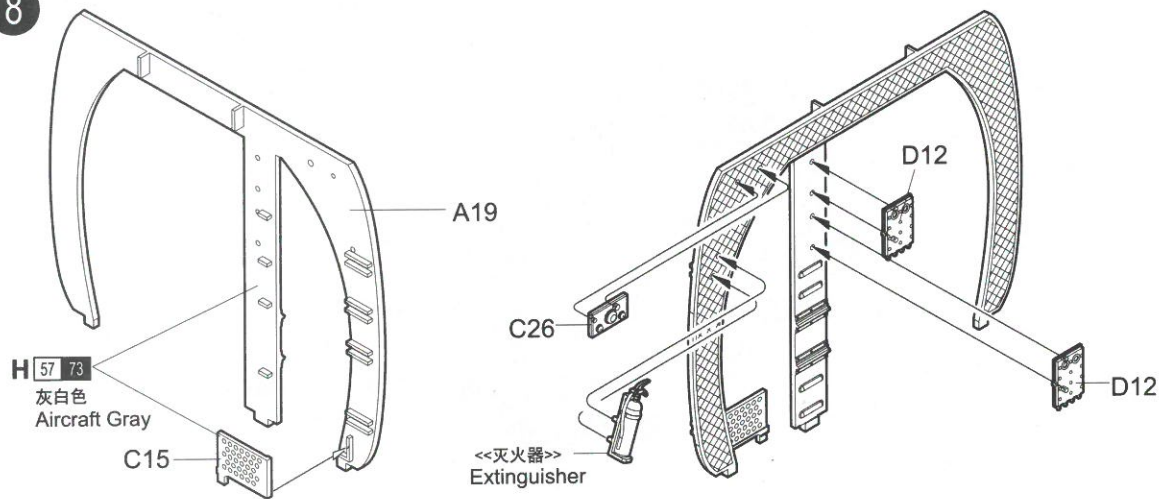
7



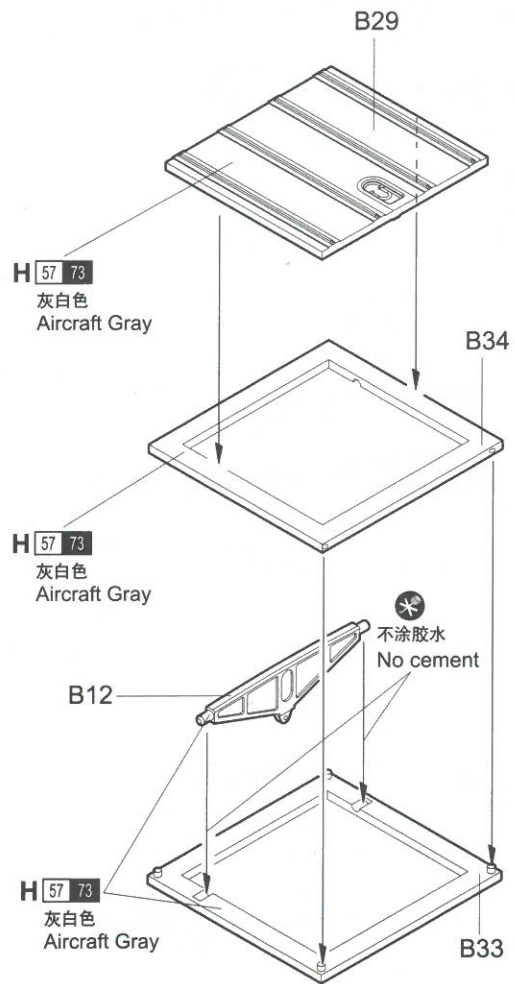
9



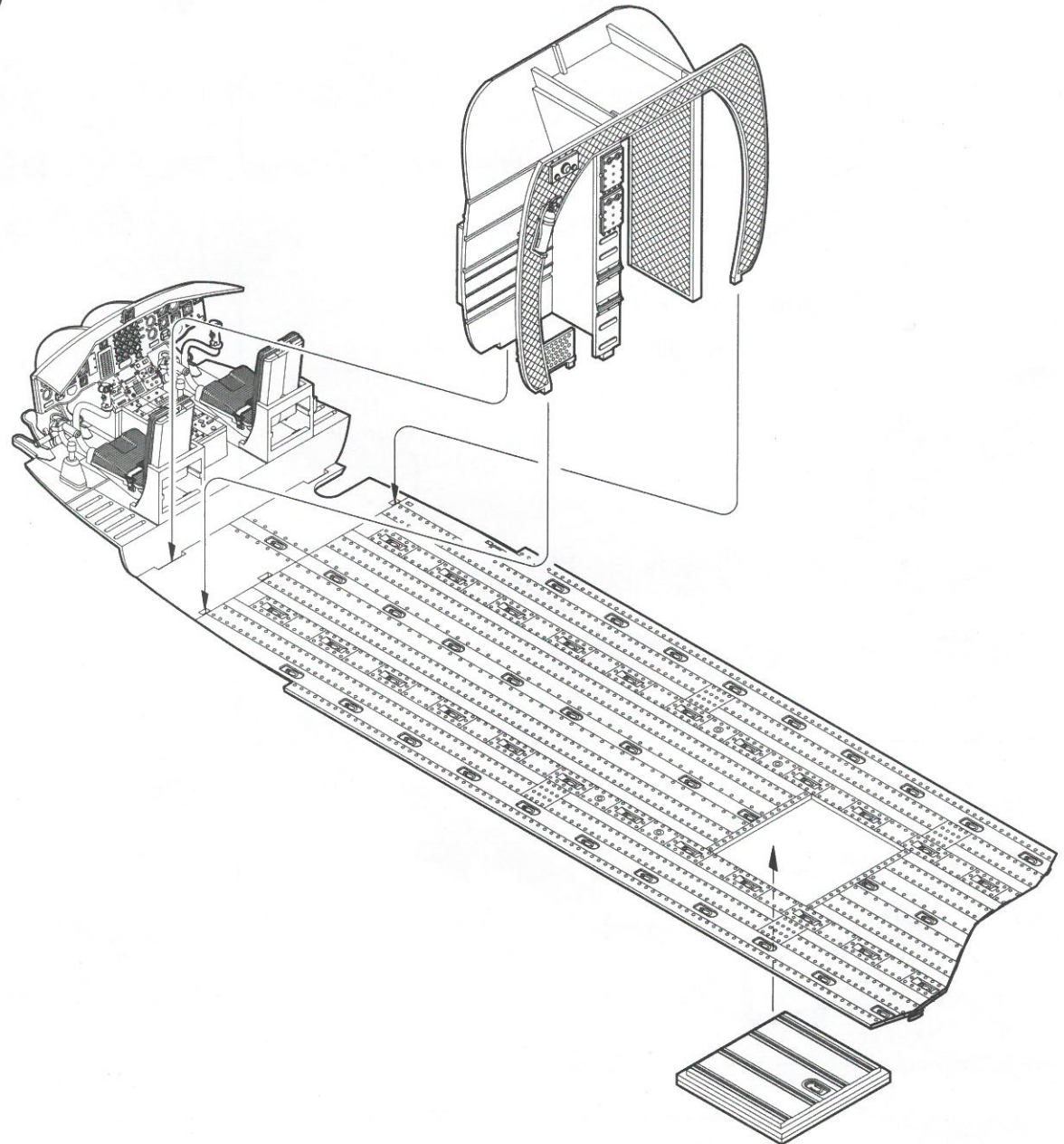
8



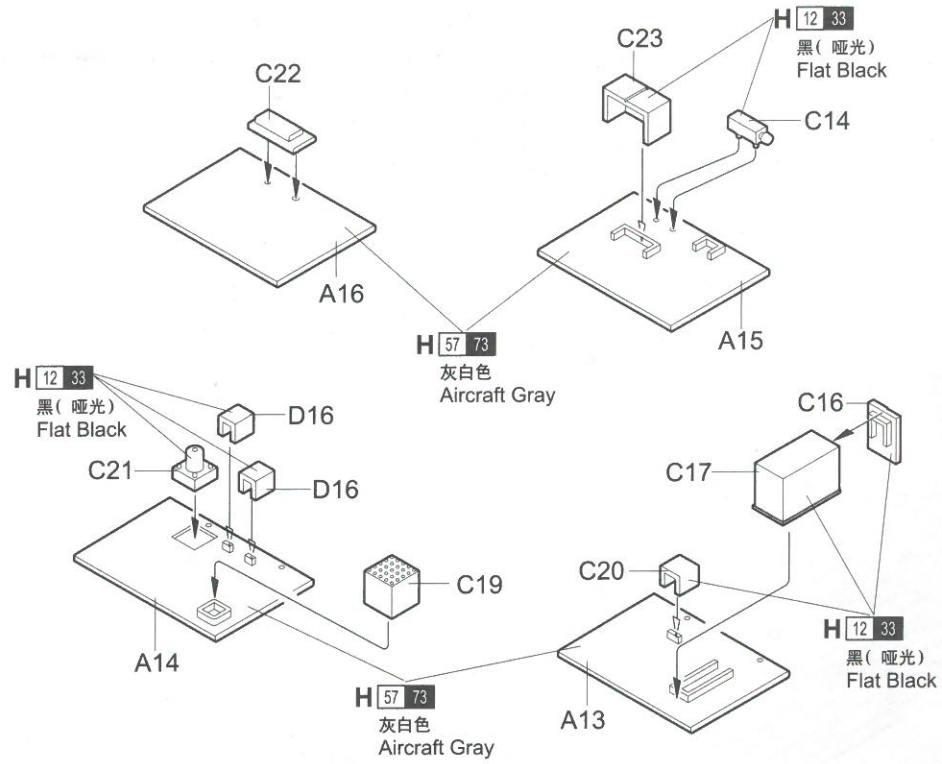
10



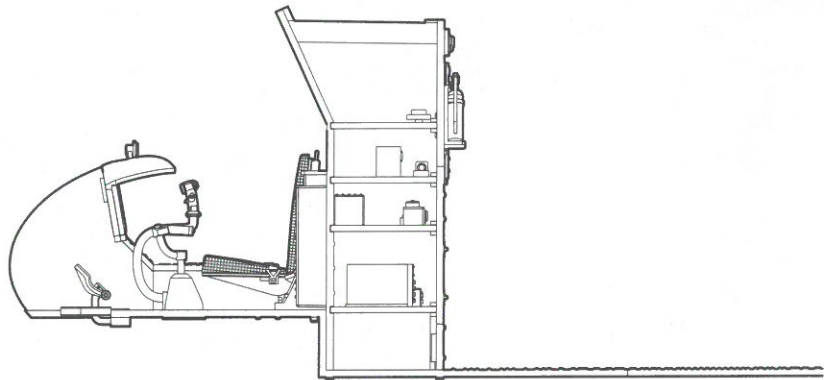
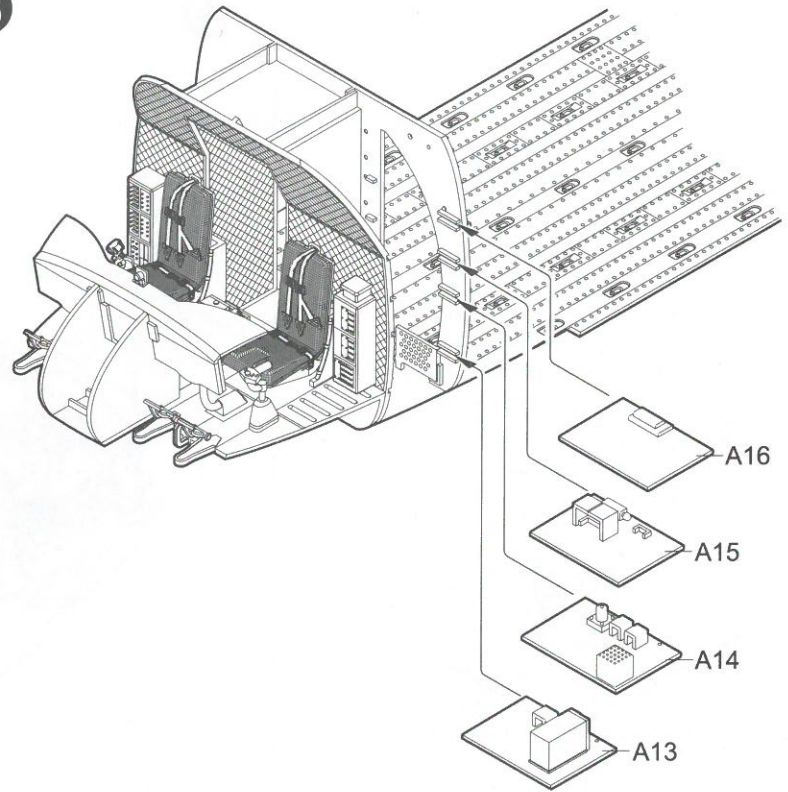
11



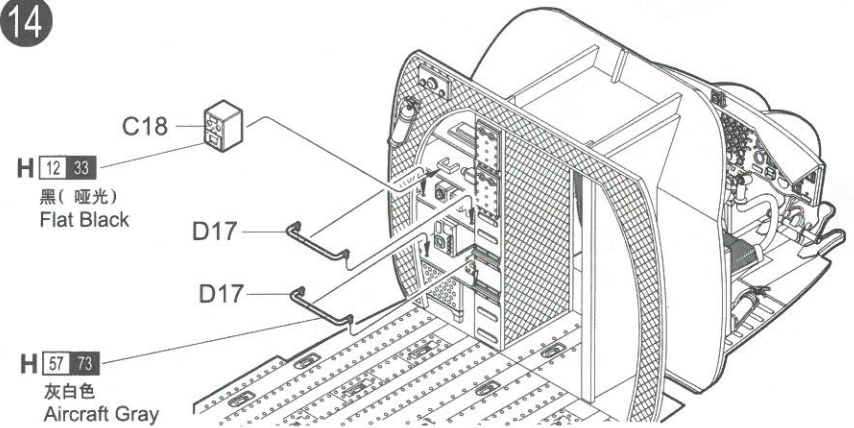
12



13



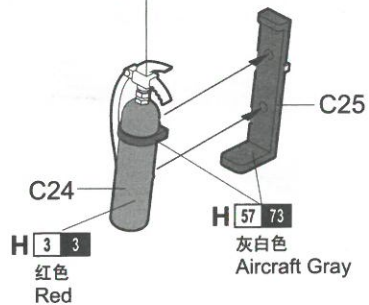
14



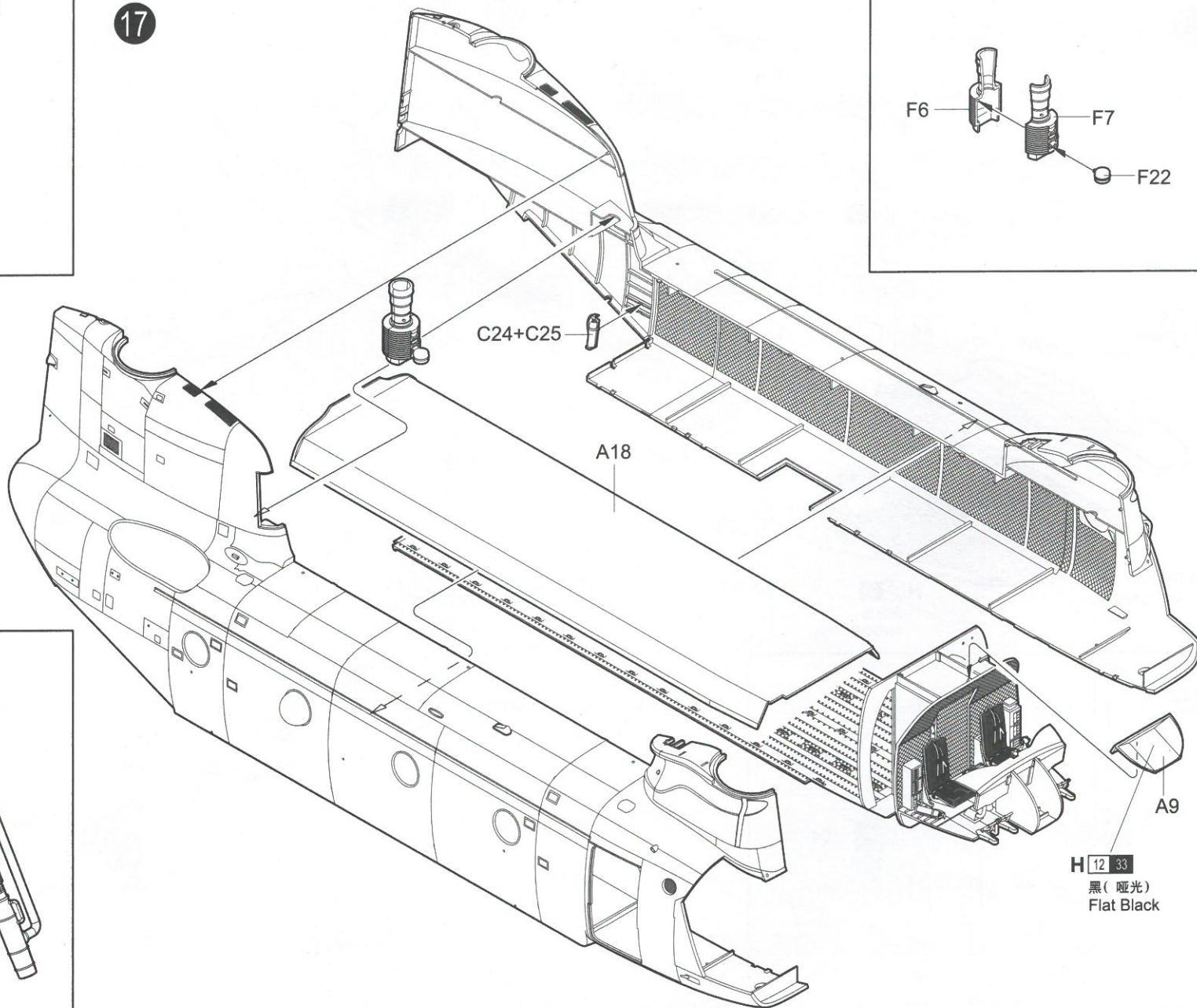
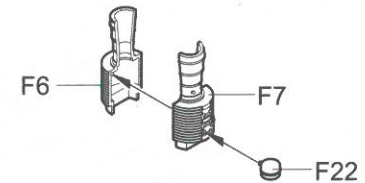




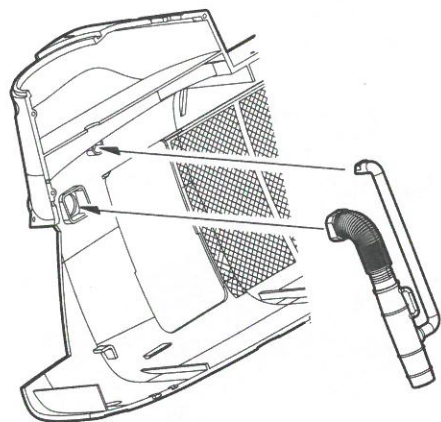
H 12 33 黑(哑光) Flat Black



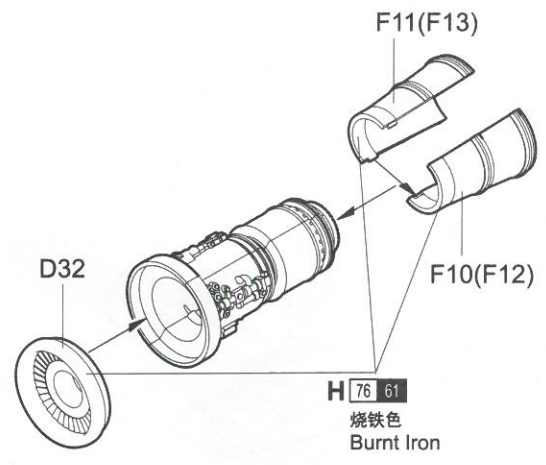
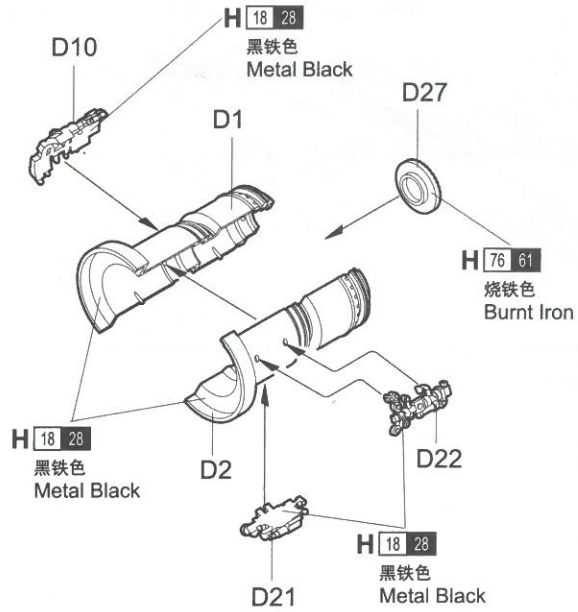
17



H 12 33 黑(哑光) Flat Black



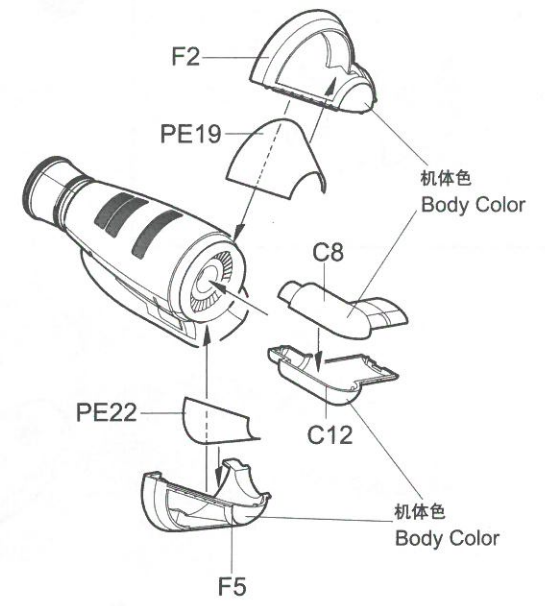
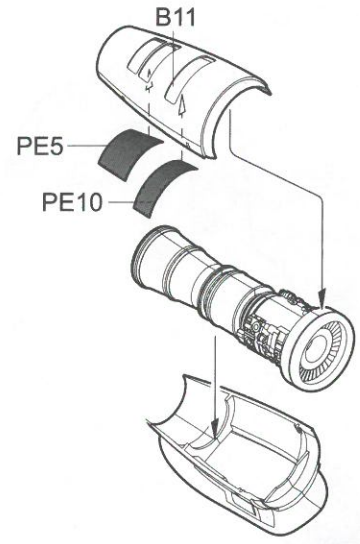
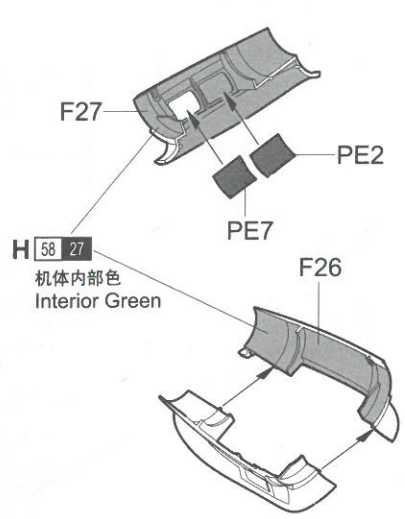
18



制作两组  
Make two

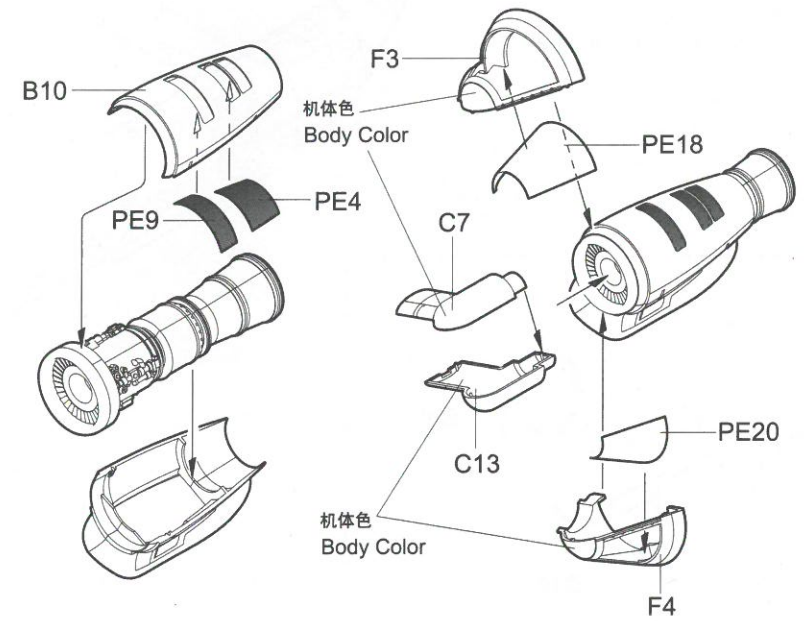
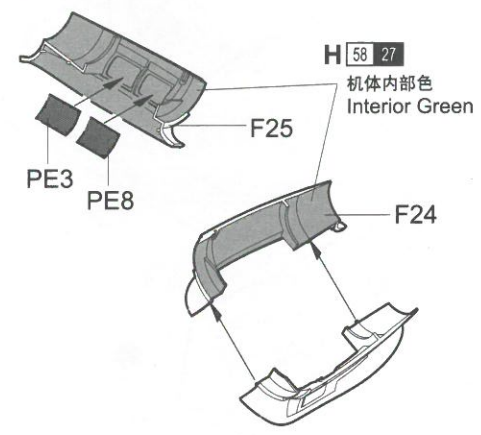
19

<<右侧发动机>>  
Right engine

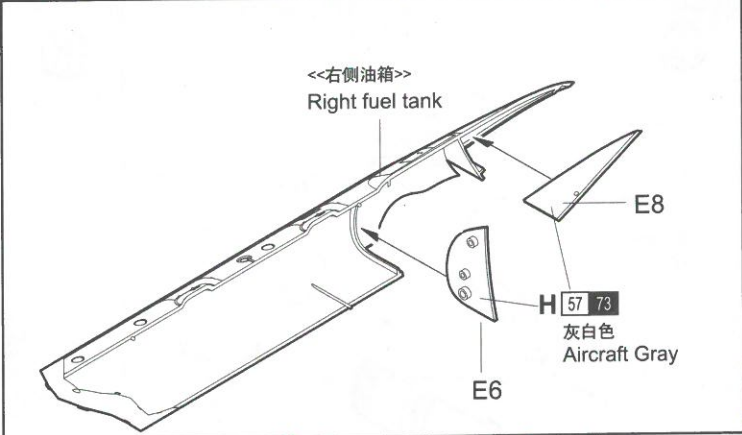
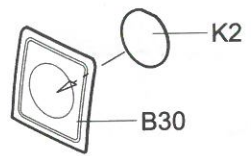


20

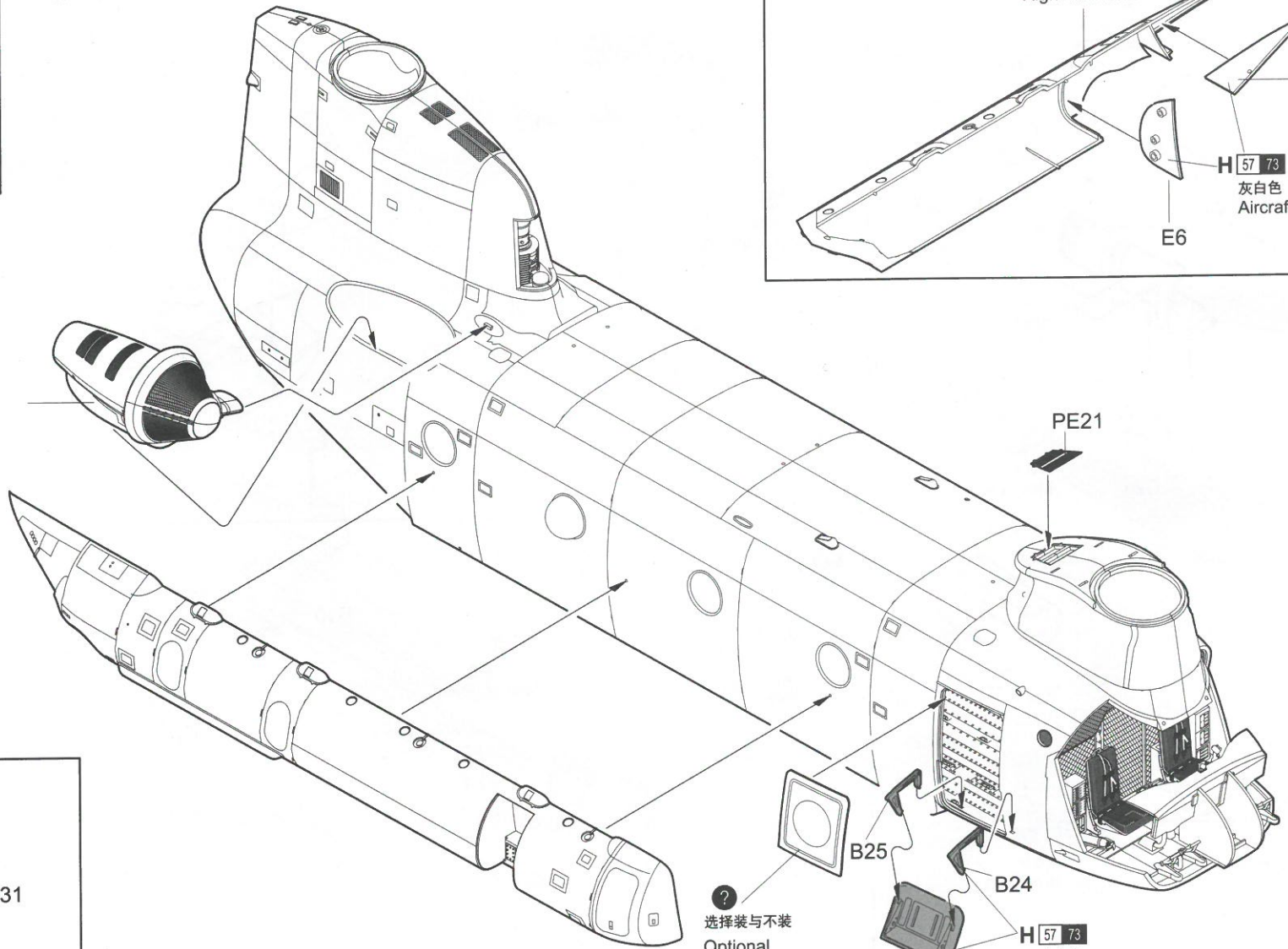
<<左侧发动机>>  
Left engine



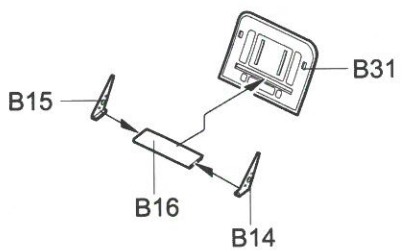
21

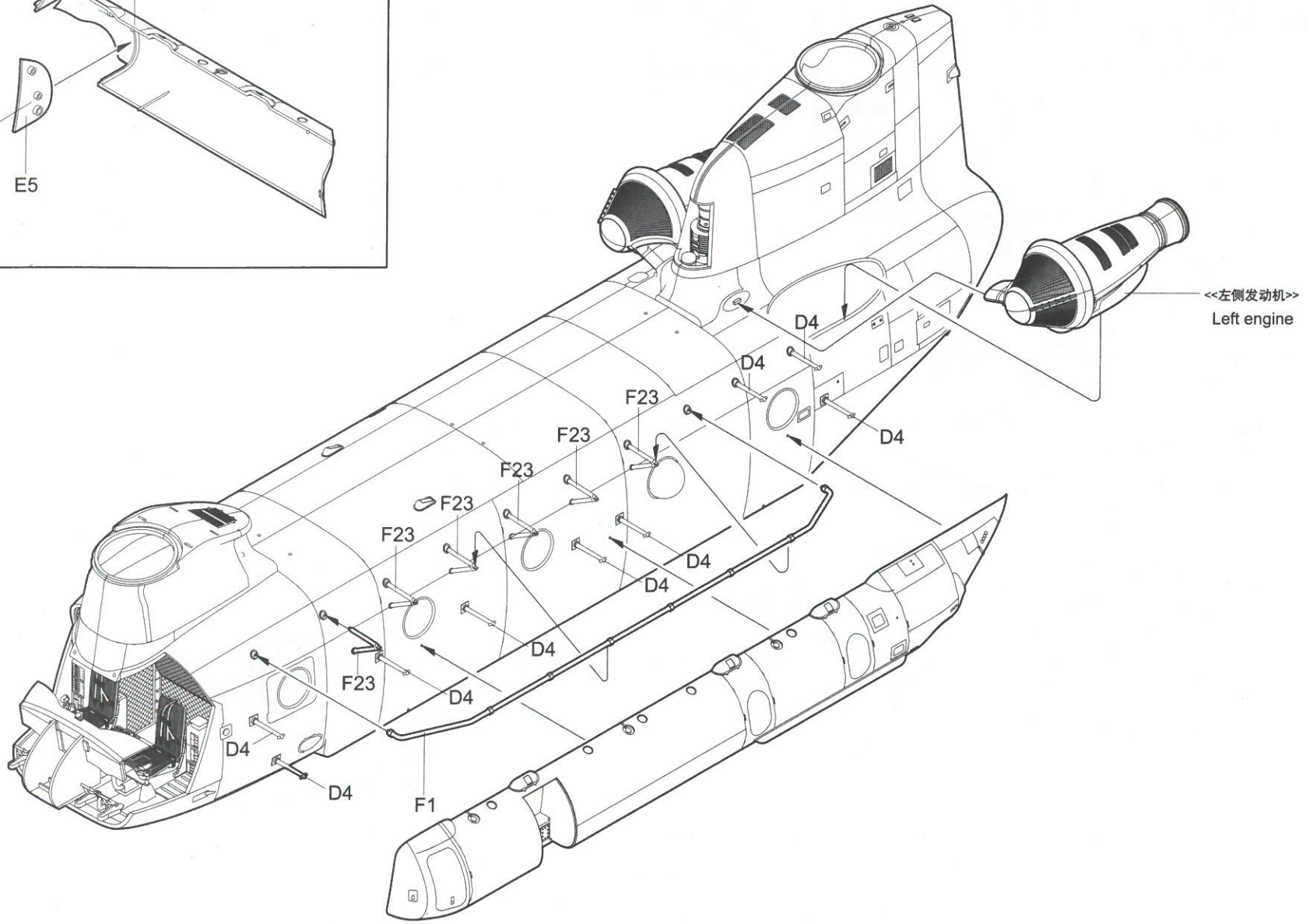
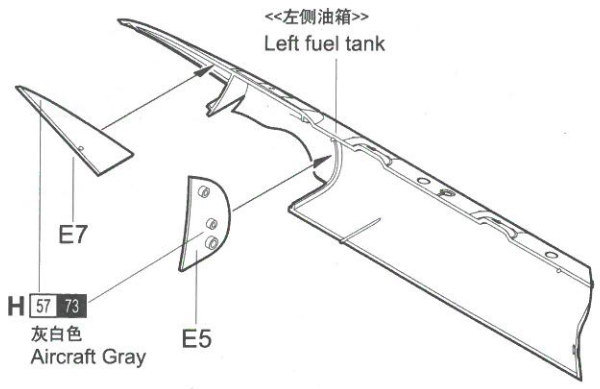


<<右侧发动机>>  
Right engine

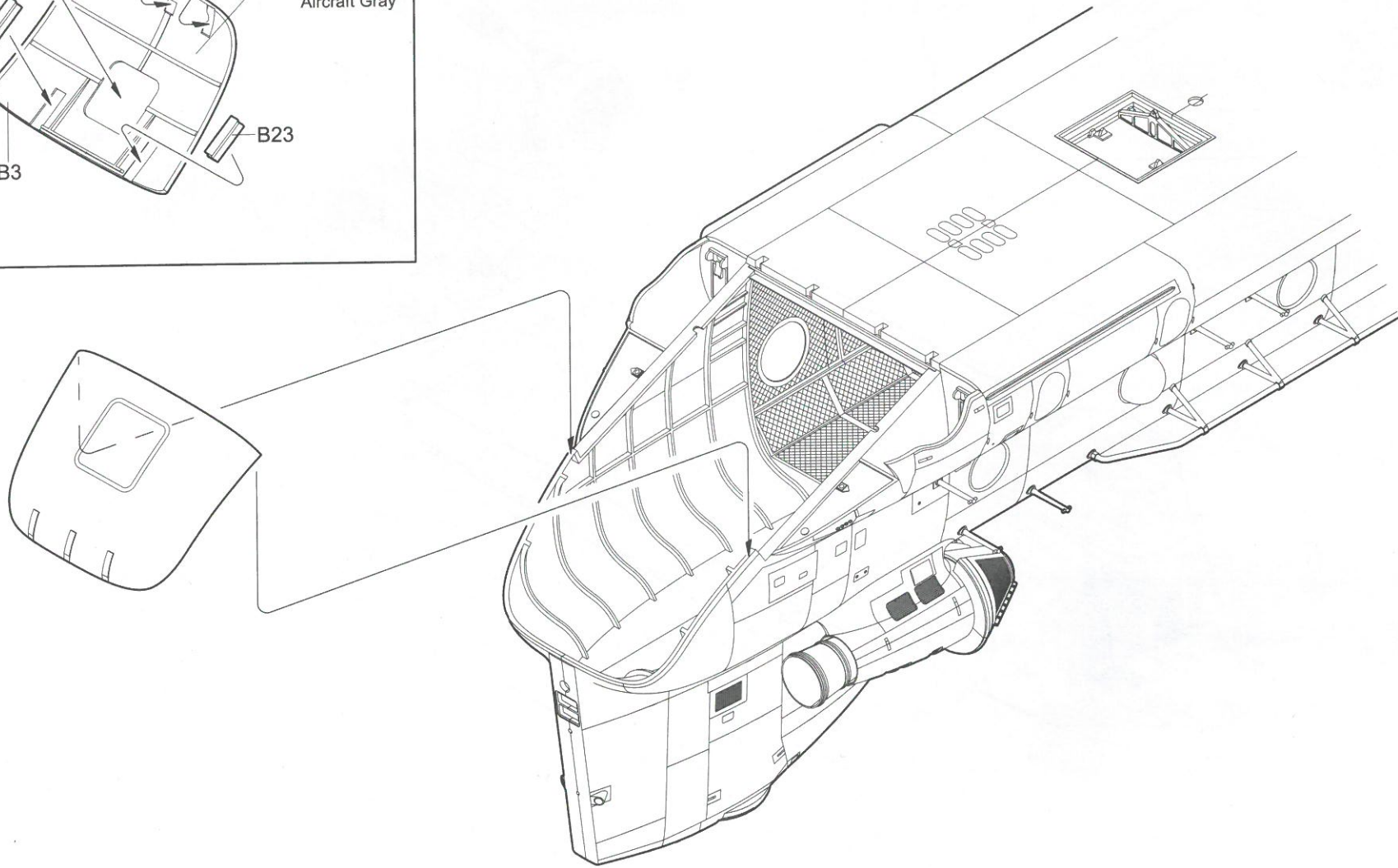
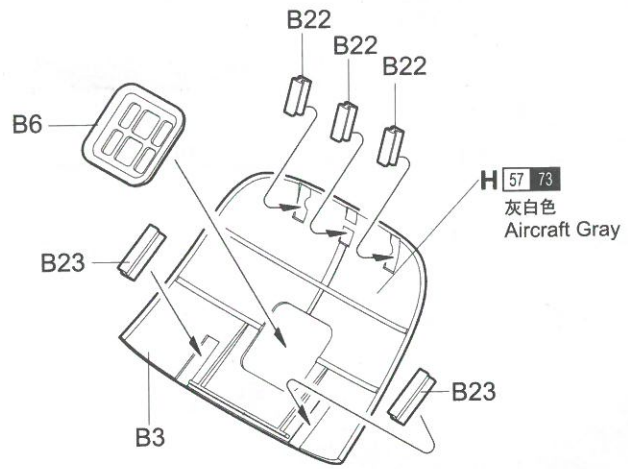


?  
选择装与不装  
Optional



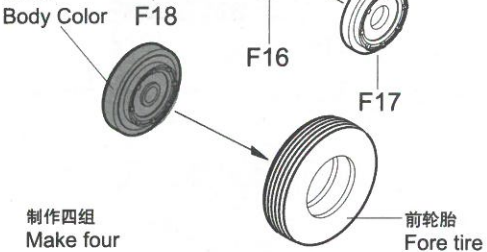


23

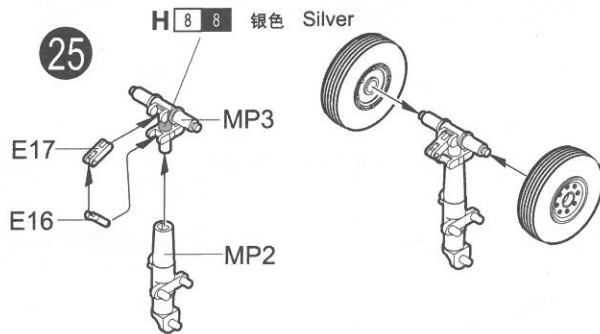


24

机体色  
Body Color

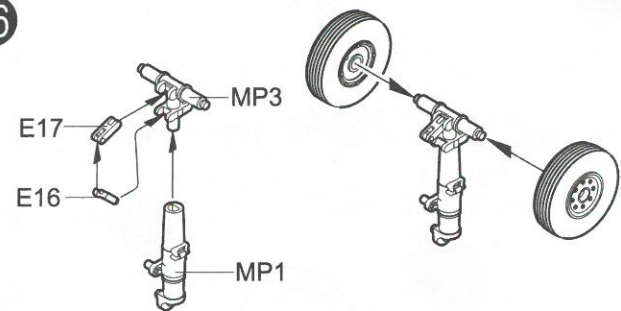


25



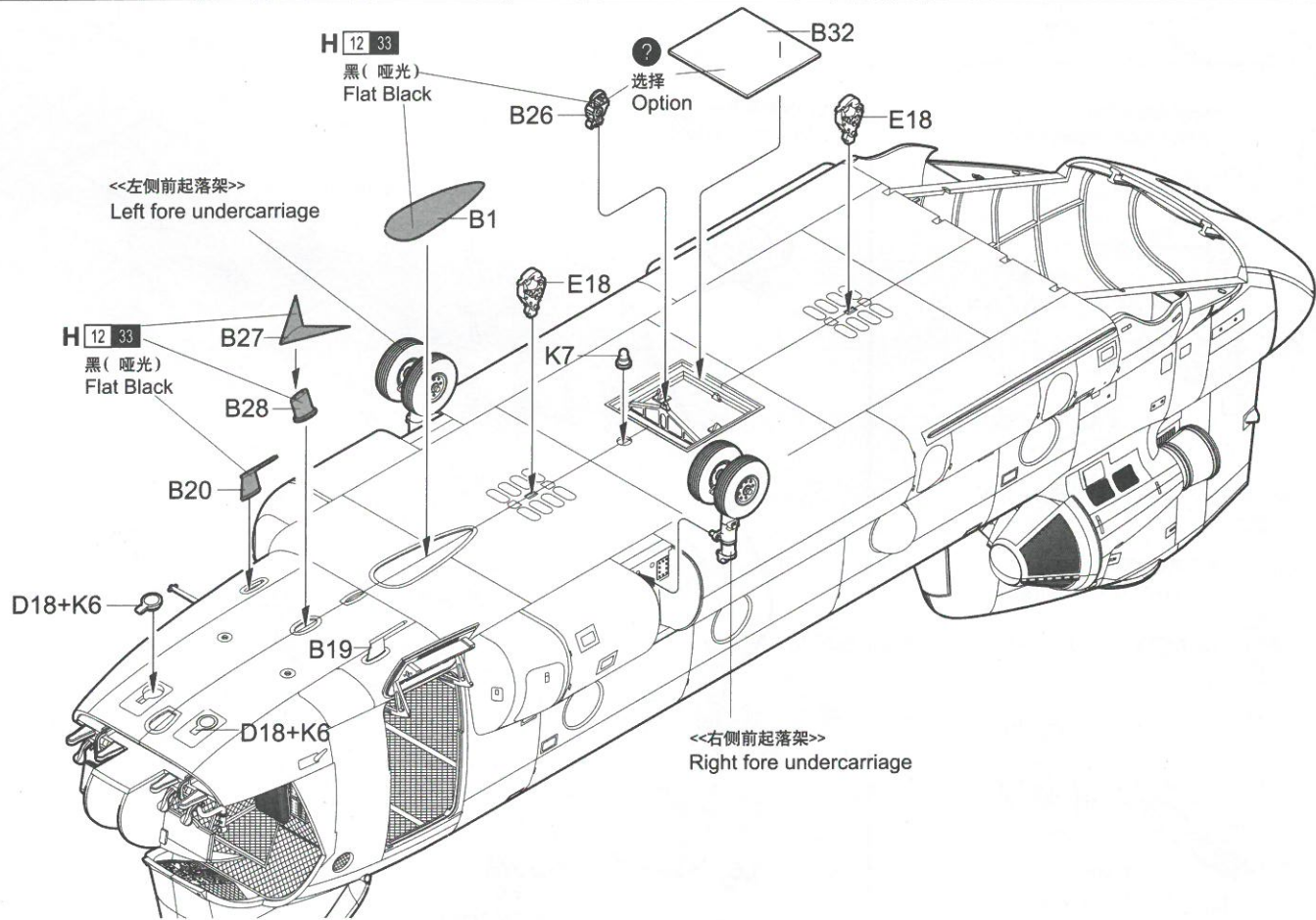
<<左侧前起落架>>  
Left fore undercarriage

26



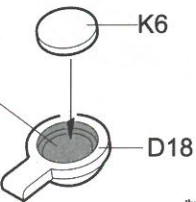
<<右侧前起落架>>  
Right fore undercarriage

27



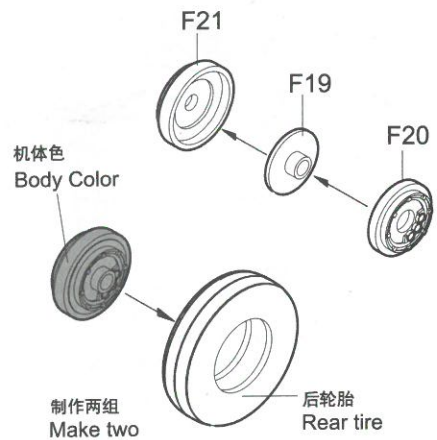
H 8 8

银色  
Silver

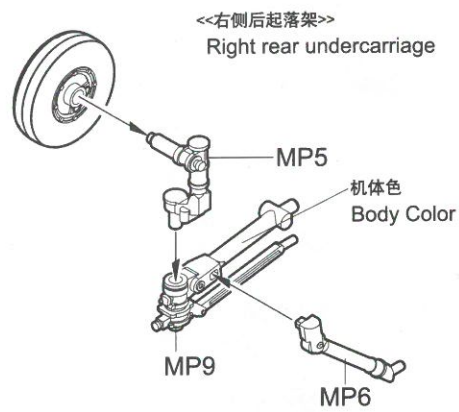


制作两组  
Make two

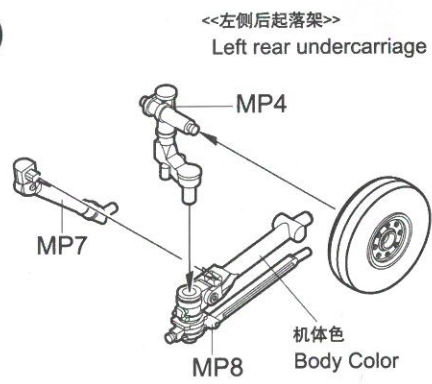
28



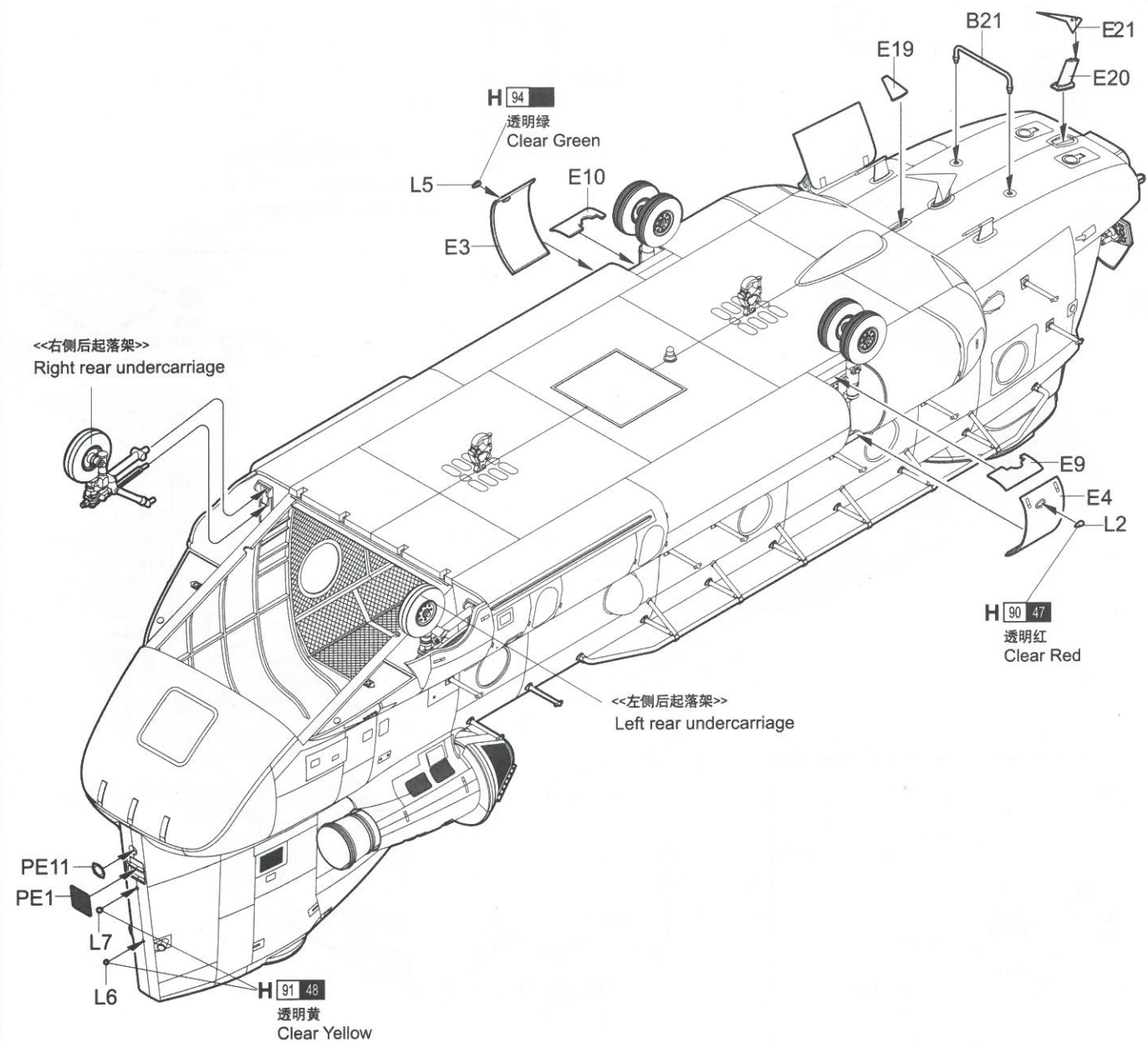
29



30

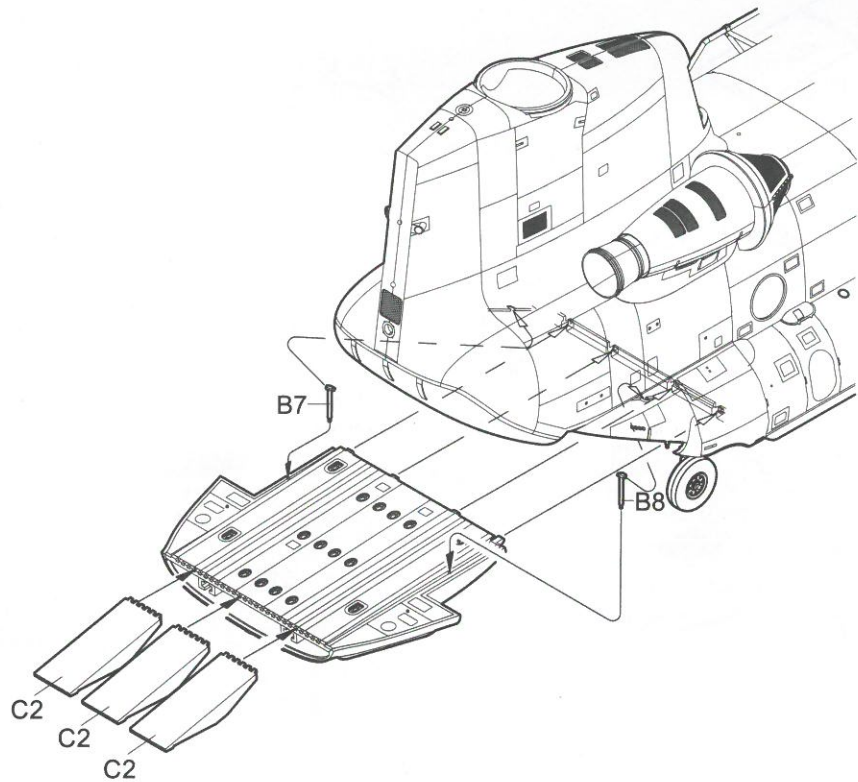
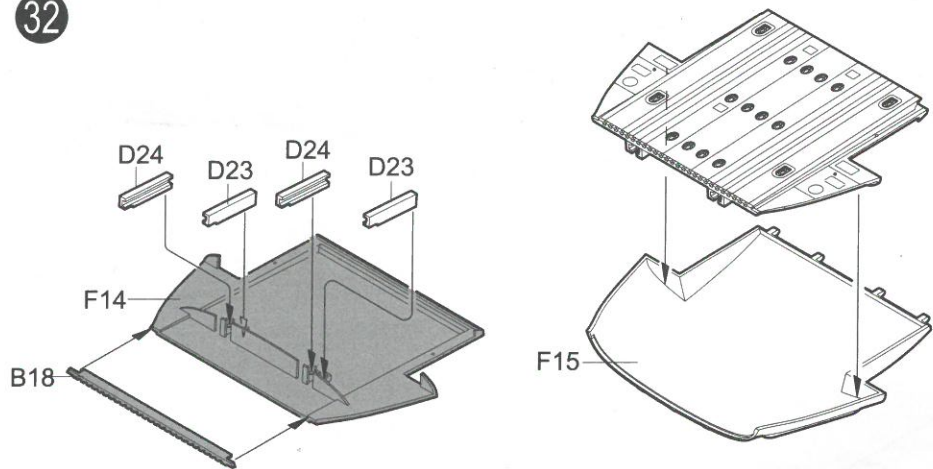


31



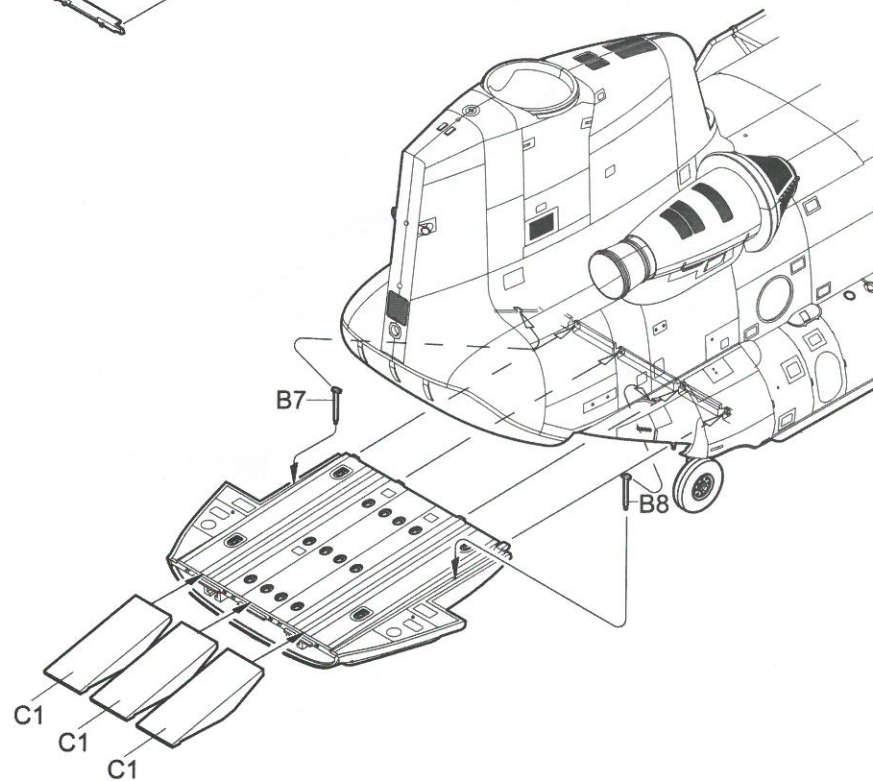
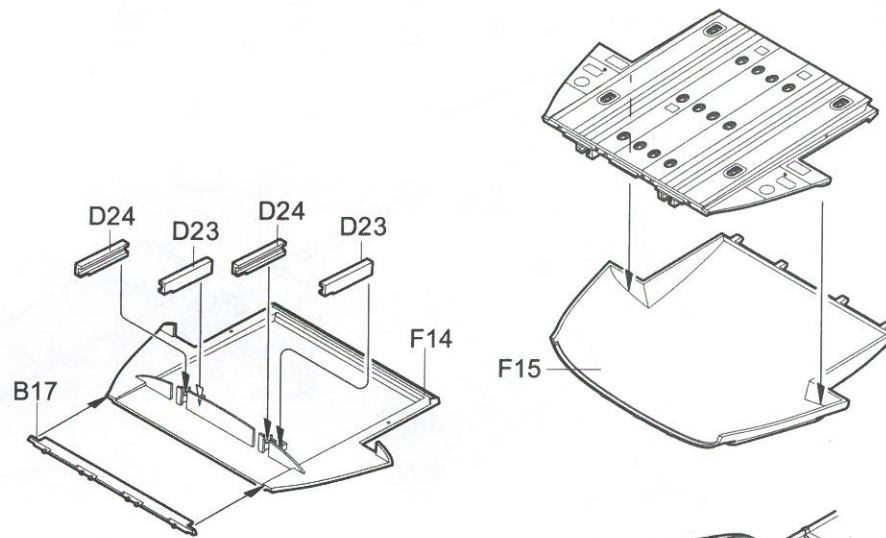


32



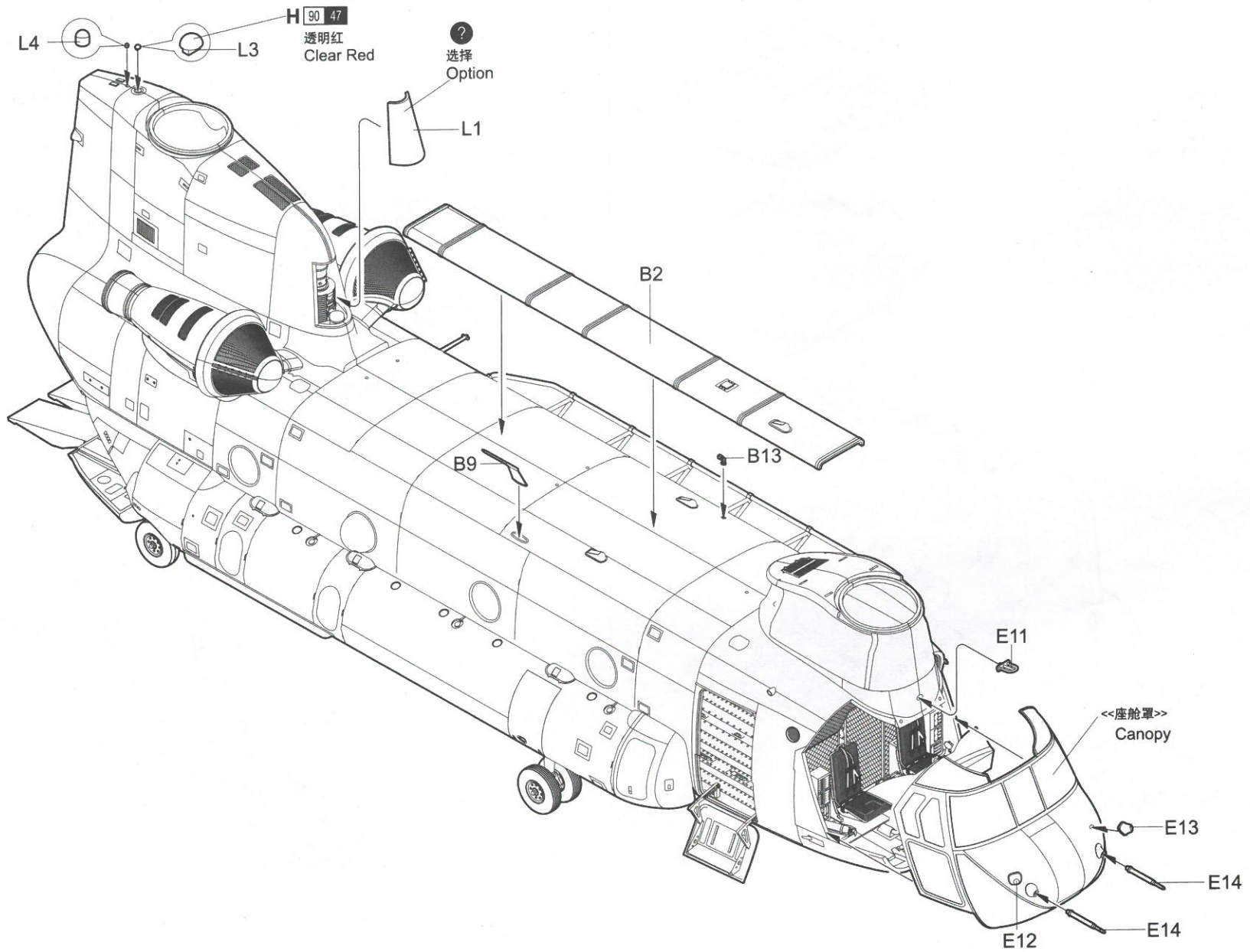
05105

Optional

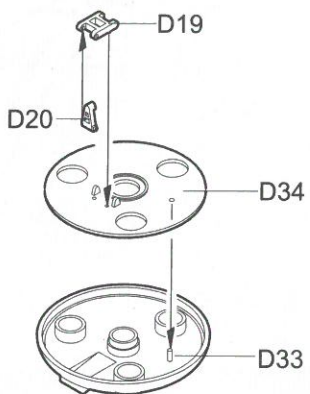


17

33

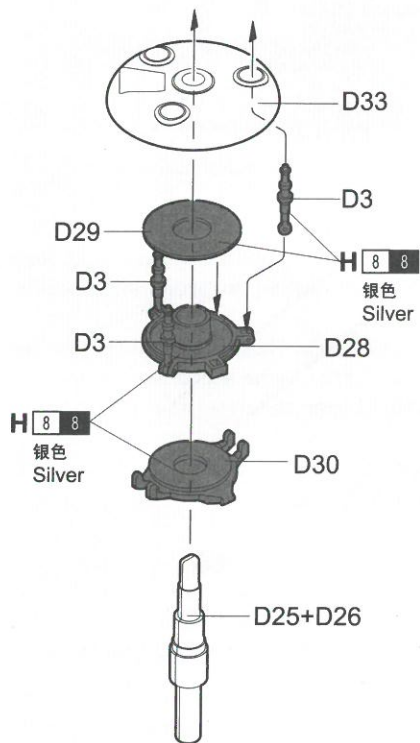


34



制作两组  
Make two

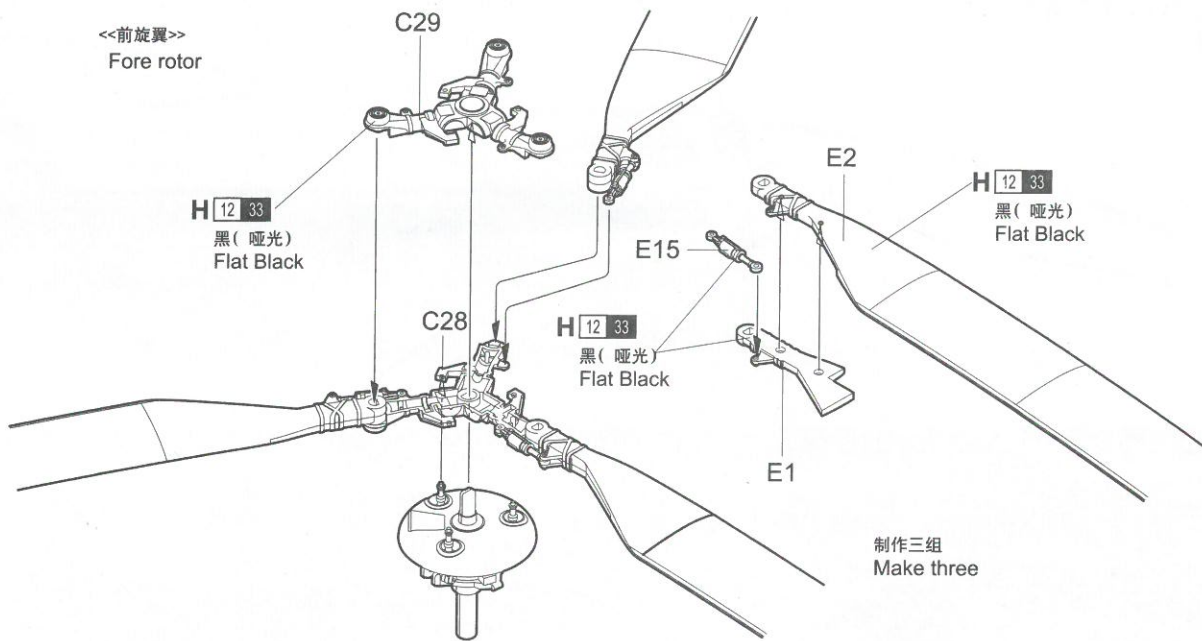
35



制作两组  
Make two

36

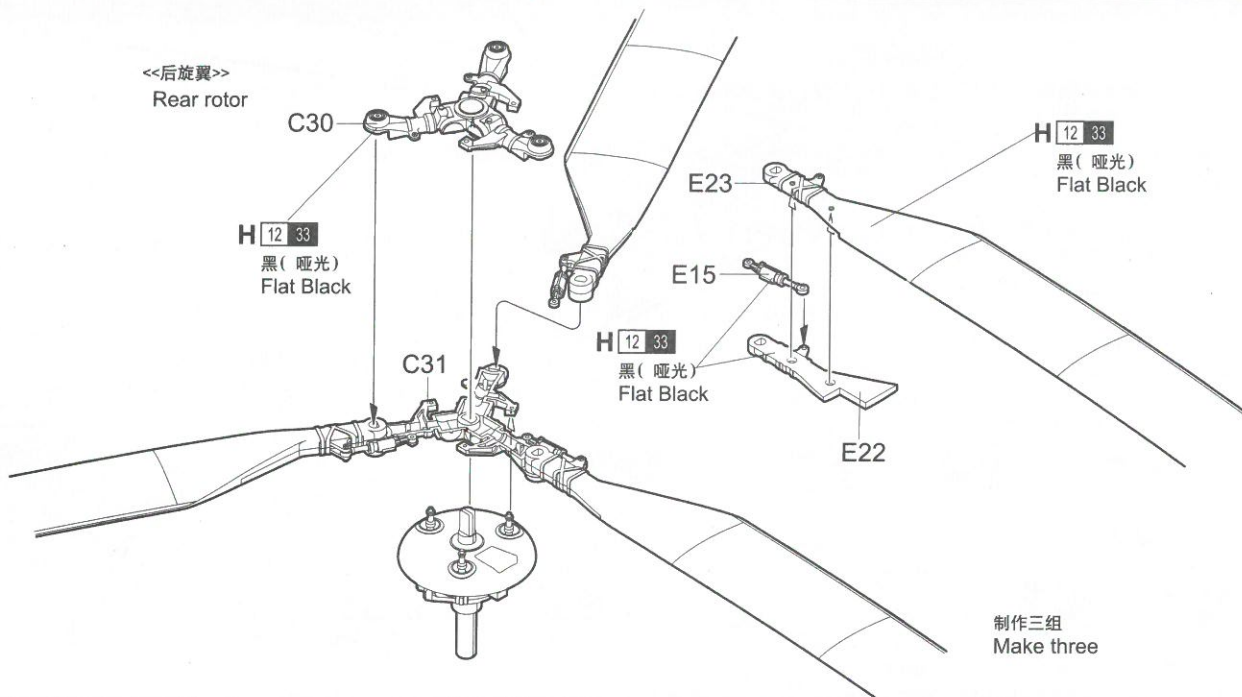
<<前旋翼>>  
Fore rotor



制作三组  
Make three

37

<<后旋翼>>  
Rear rotor



制作三组  
Make three

