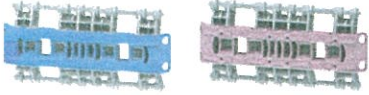


MAUS V1 & V2

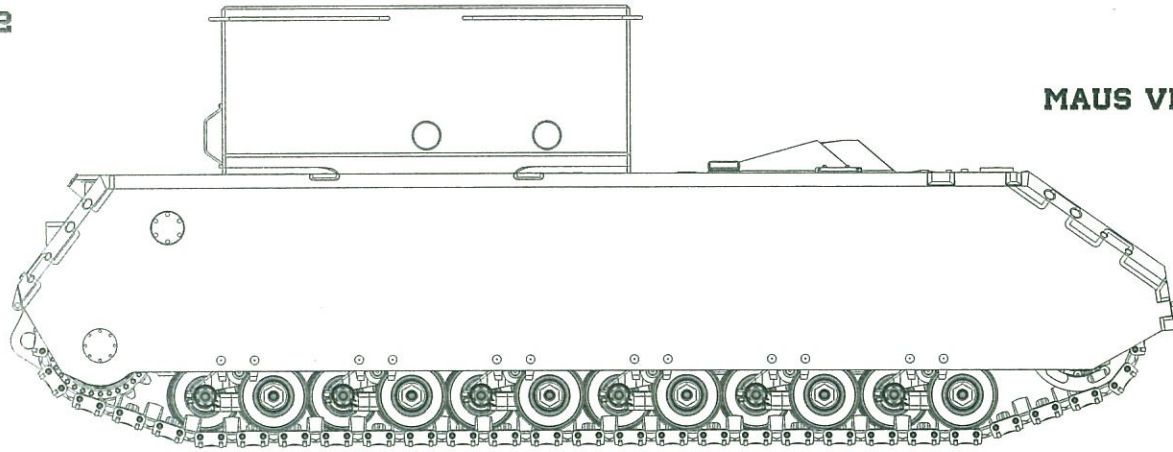
2in1

LIMITED EDITION

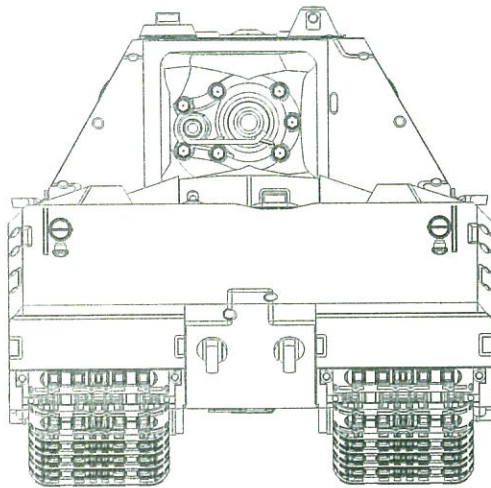
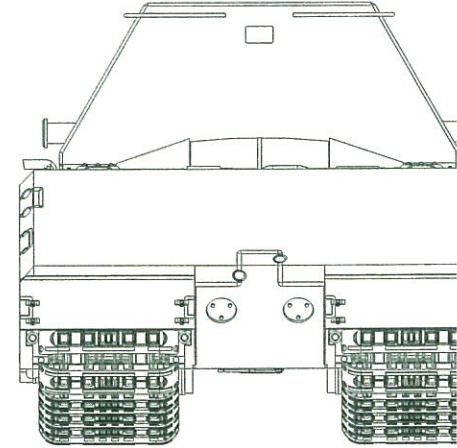


V1

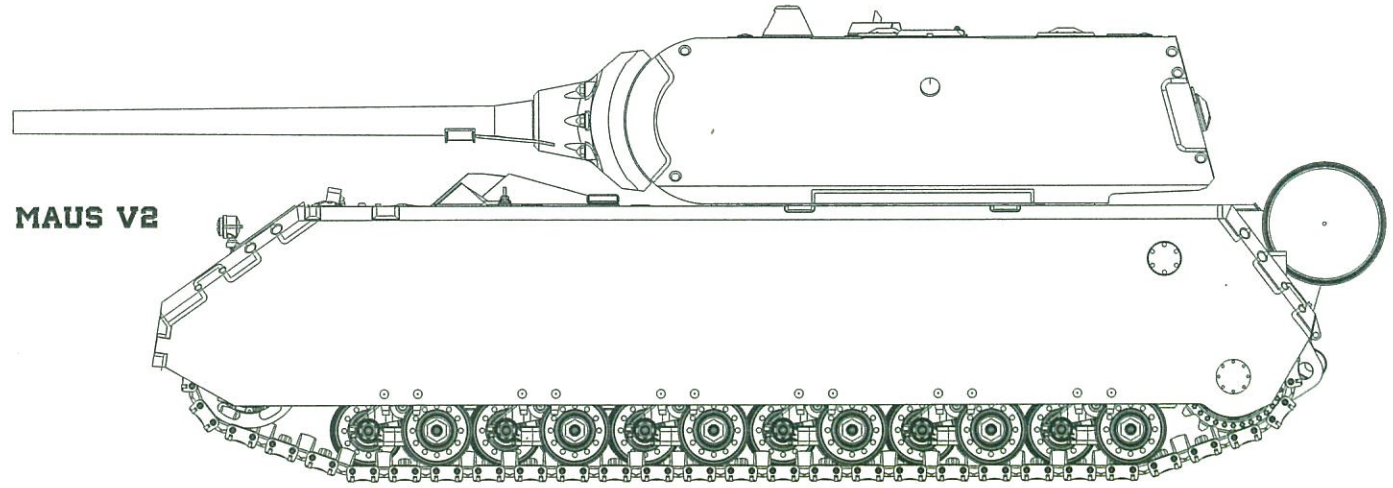
V2



MAUS V1



MAUS V2



03.02.2050X

READ BEFORE ASSEMBLY

CAUTION

- Read carefully and fully understand the instructions before commencing assembly. A supervising adult should also read the instructions if a child assembles the model.
- When assembling this kit, tools including knives used. Extra care should be taken to avoid personal injury.
- Keep out of reach of small children. Children must not be allowed to suck any part, or pull vinyl bag over their heads.



Optional



Do Not Cement



Remove



Be Careful



Drill



Instant Glue
for Metal

PAINTS REQUIRED

Color info and profiles by Mig Jimenez



Dunkelgelb
Aus '44 DG I



Dark Tracks



Old Rust



Schokobrown



Rotbraun



Olivgrun
Opt.2



Crystal
Periscope Green



B Resedagrün



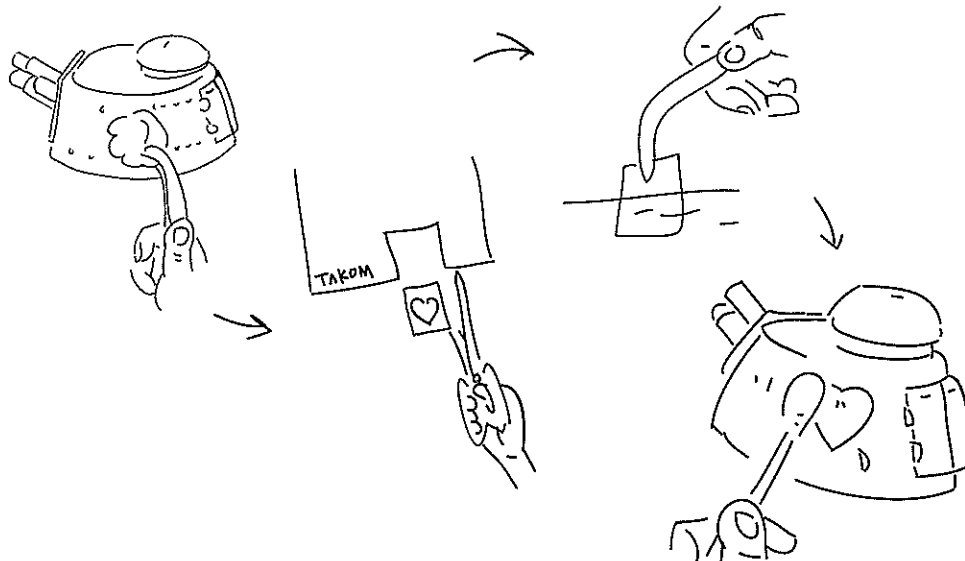
Dunkelgelb
Aus '44 DG II



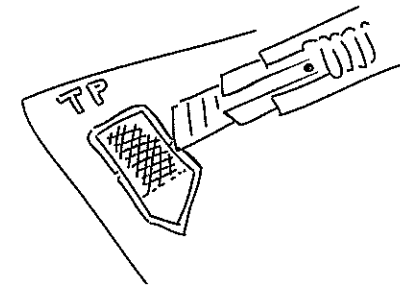
Dunkelgelb (Mid War)

APPLYING DECALS

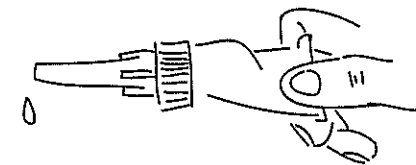
1. Clean the model surface with a wet cloth.
2. Cut out each decal design from sheet, and dip it in tepid water for 15~20 sec.
3. Hold the backing sheet edge and slide decal onto the model.
4. Move decal into position by wetting decal with finger.
5. Press decal gently down with a soft cloth until excess water and air bubbles are gone.



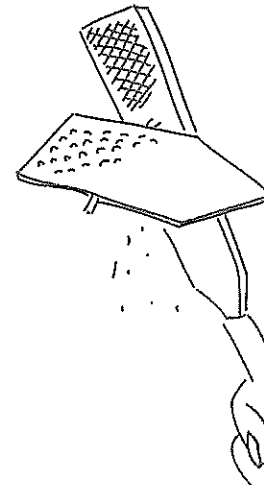
REMOVING PE



Be careful not to hurt when removing PE parts.

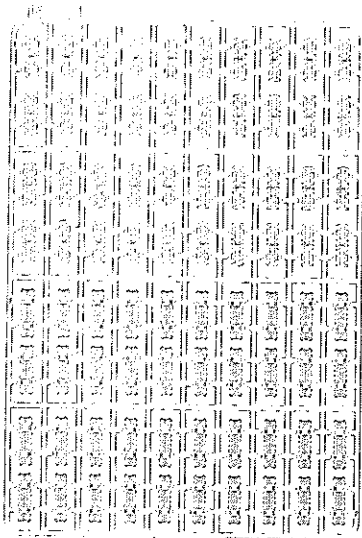


Secure using instant glue (not included).

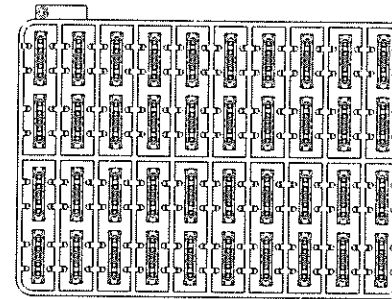
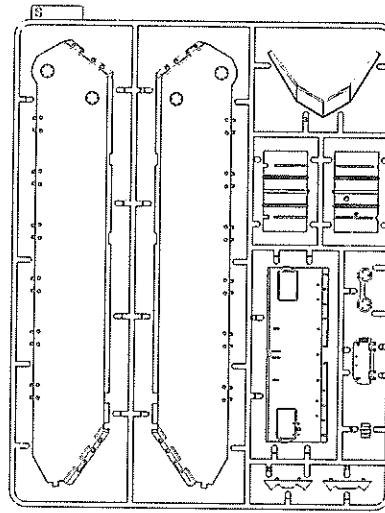
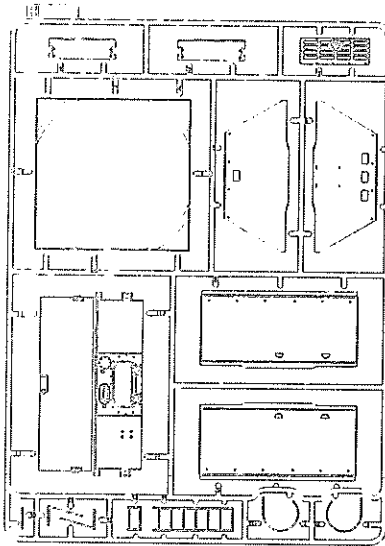


Finish using!

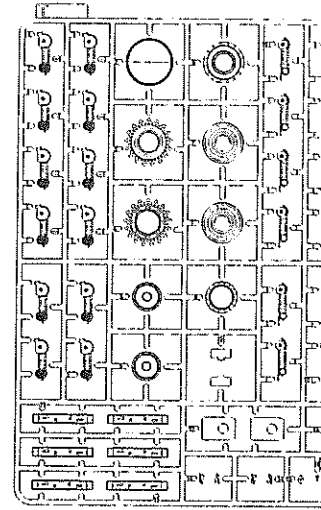
PARTS



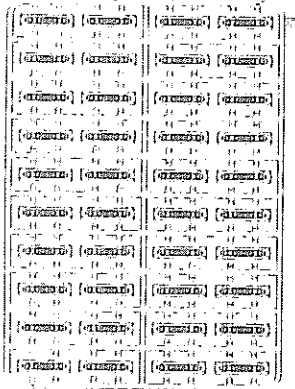
X3



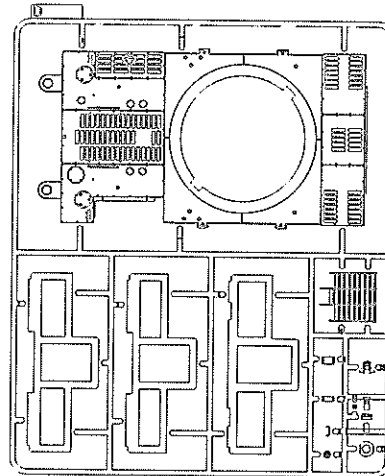
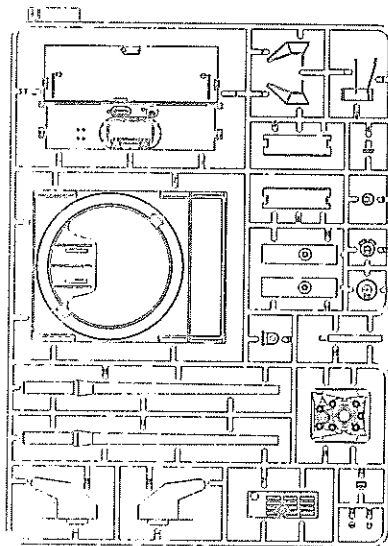
X3



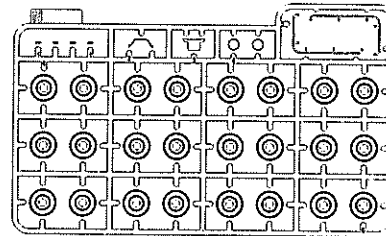
X2



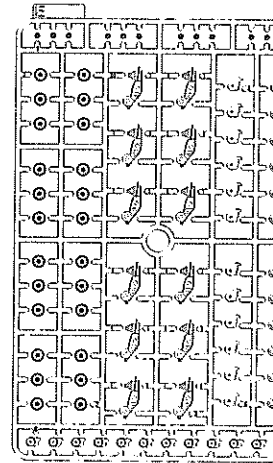
X3



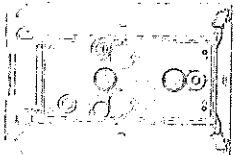
X2



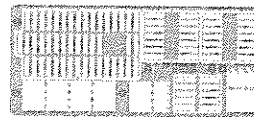
X2



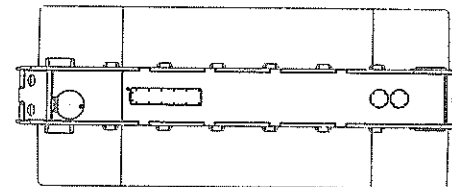
X2



Turret



TP



Lower Hull

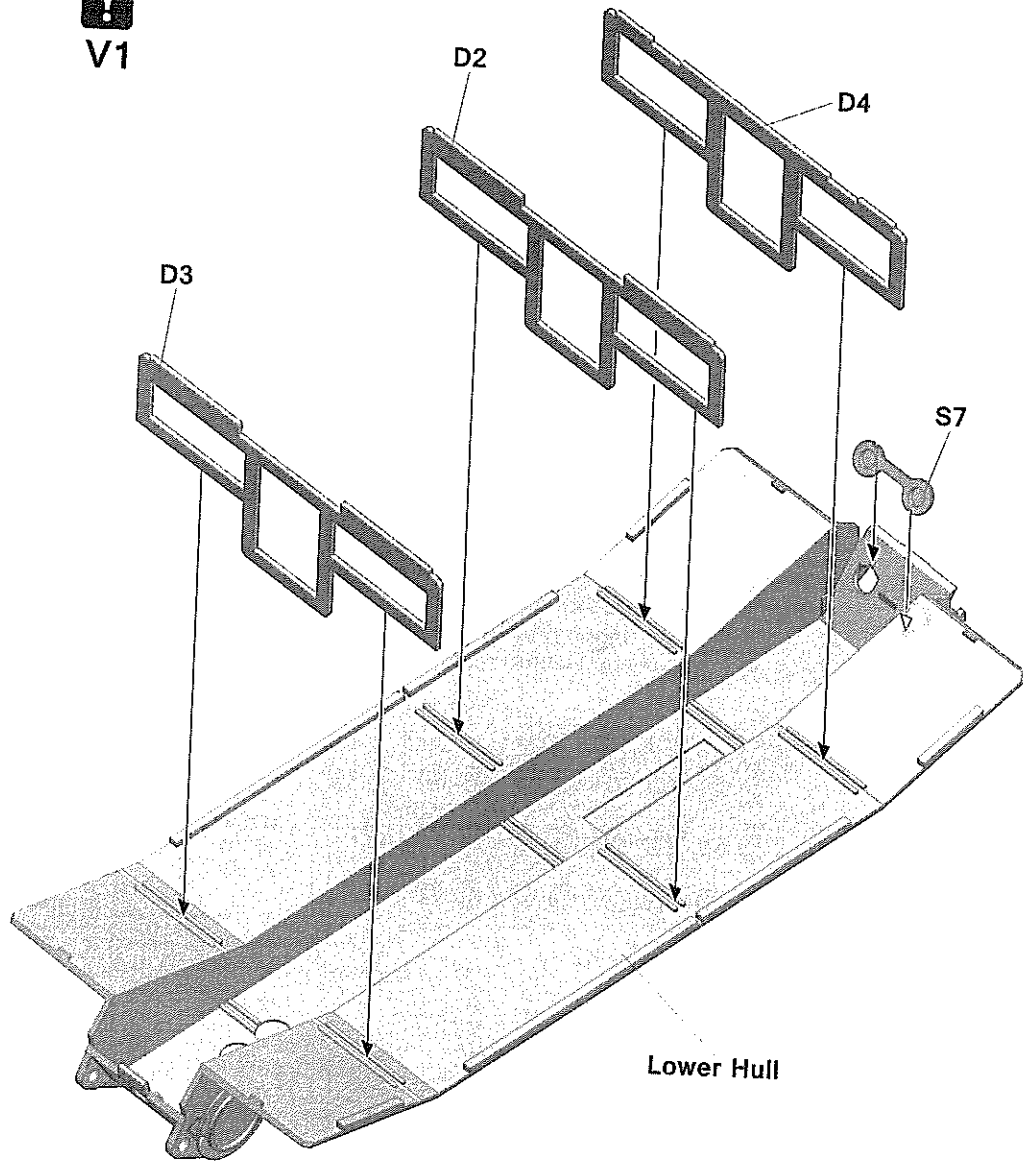


Decal

1-1



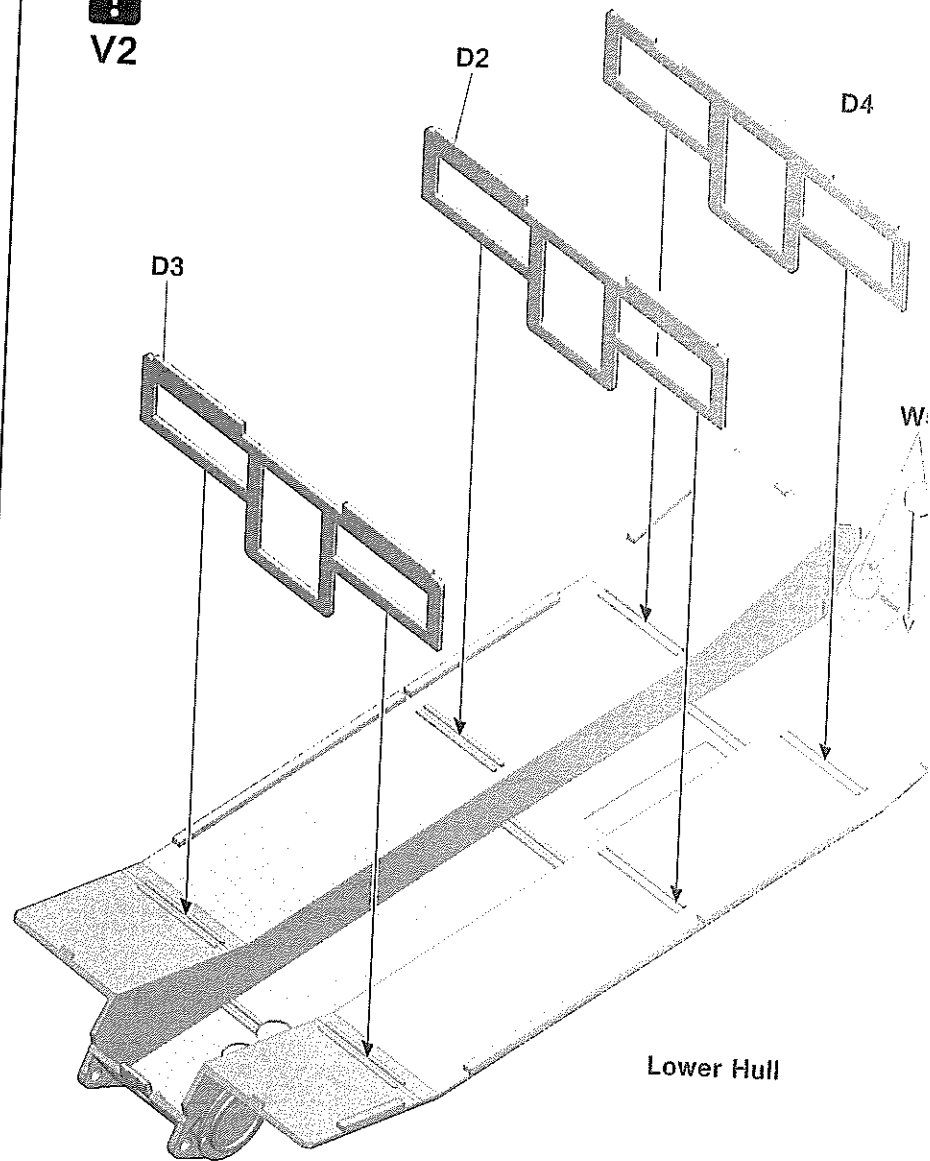
V1



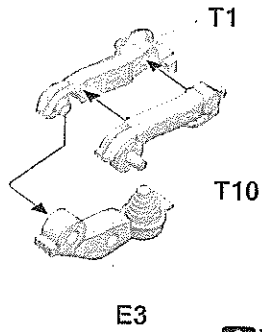
1-2



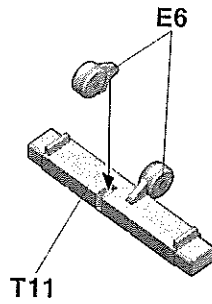
V2



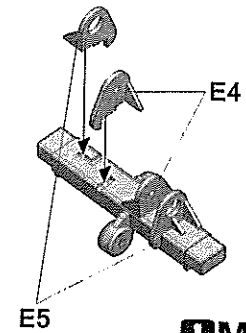
2



Make 24

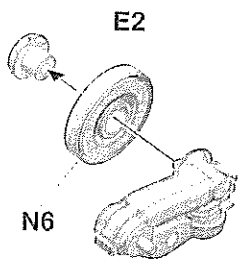


T11

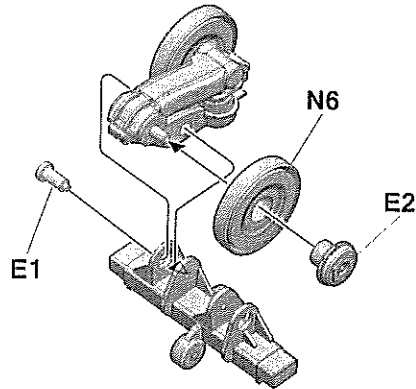


Make 12

3-1

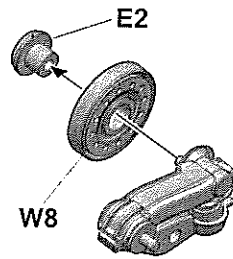


Make 12

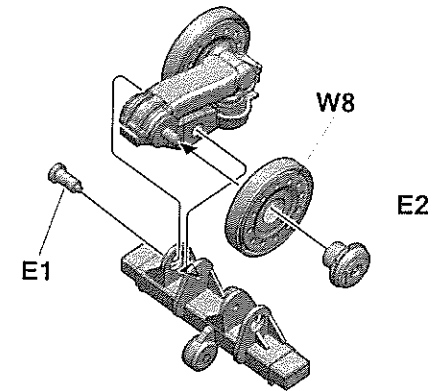


Make 12

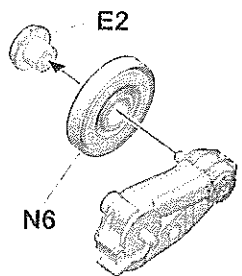
3-2



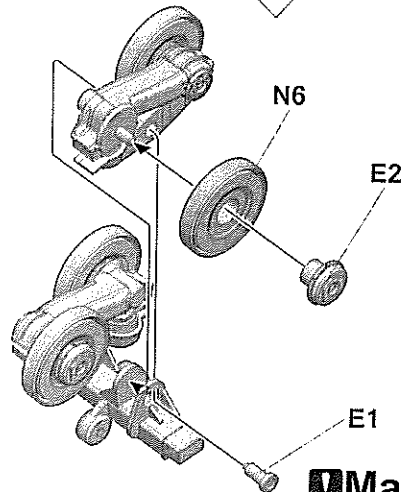
Make 12



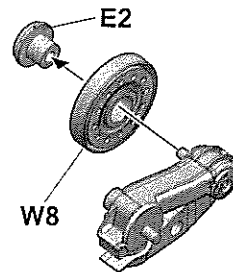
Make 12



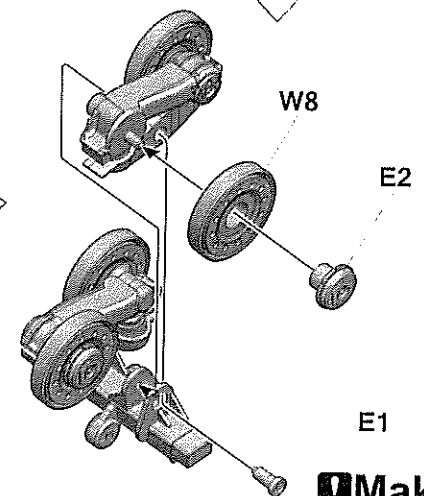
Make 12



Make 12

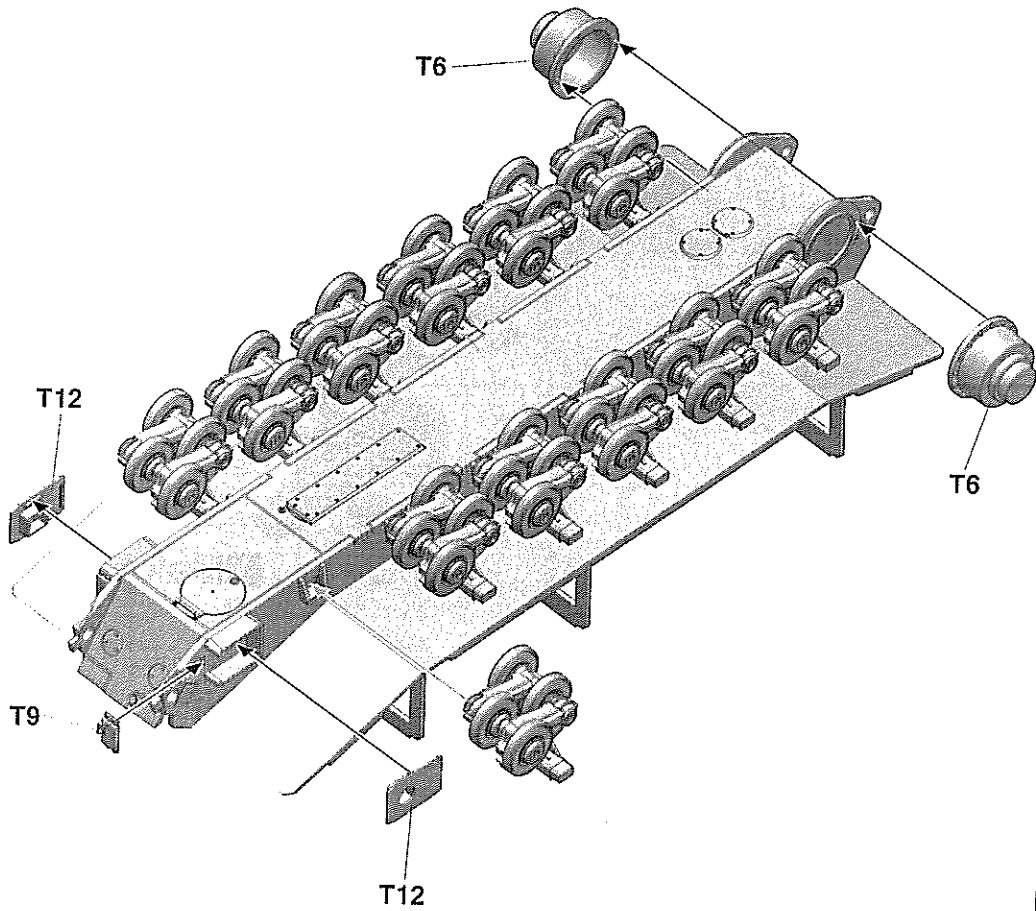


Make 12

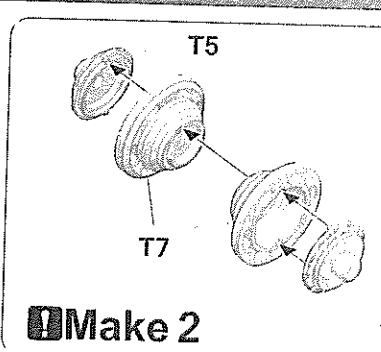
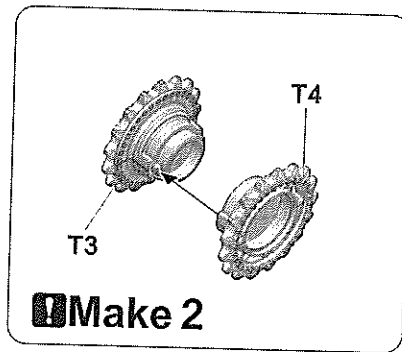


Make 12

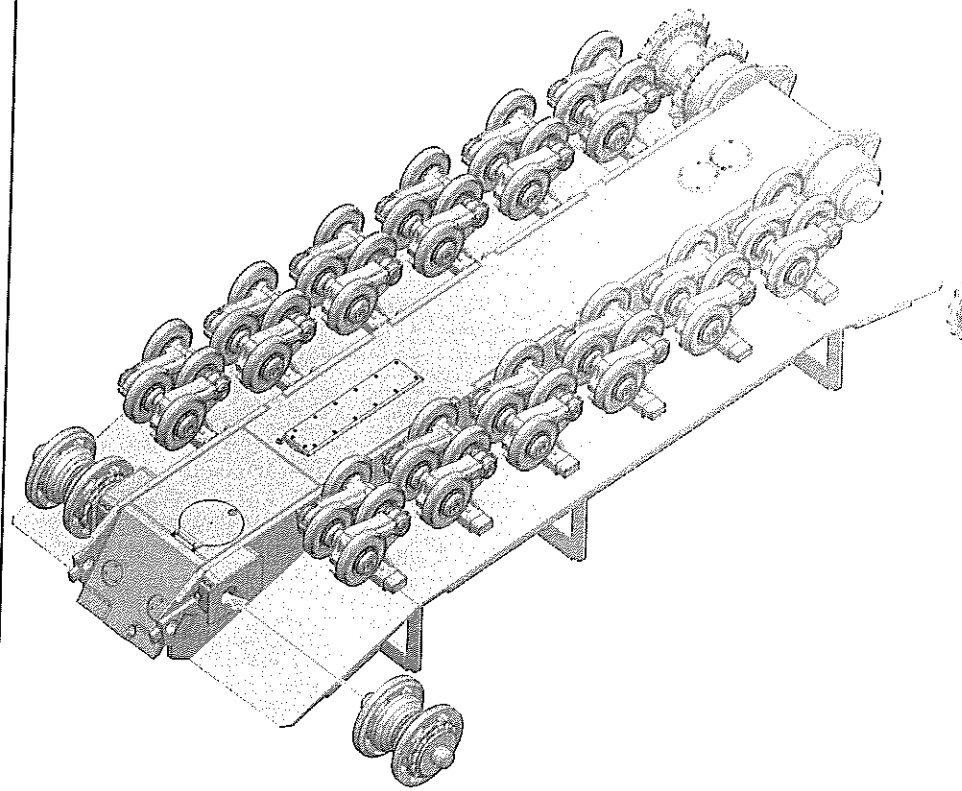
4



5

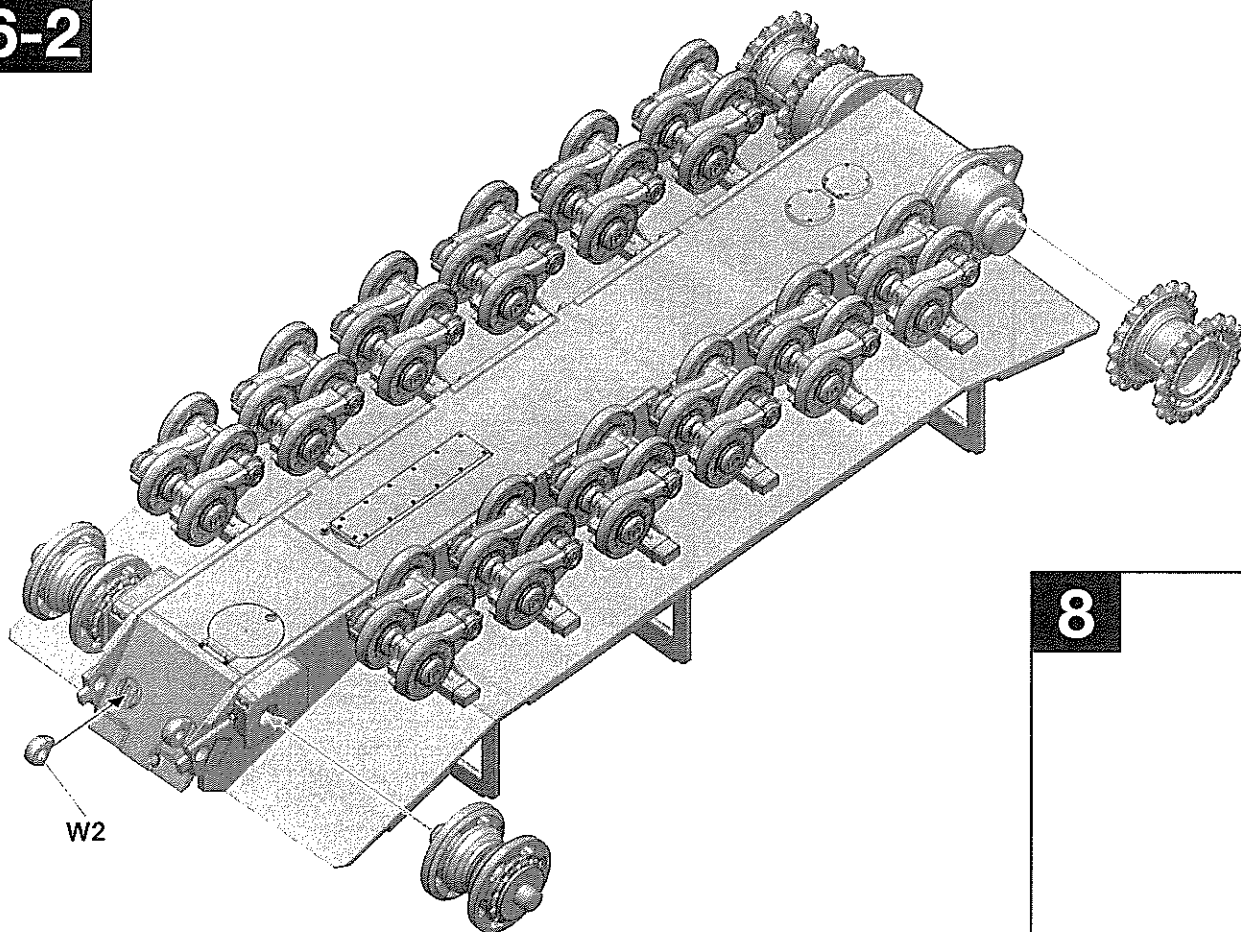


6-1

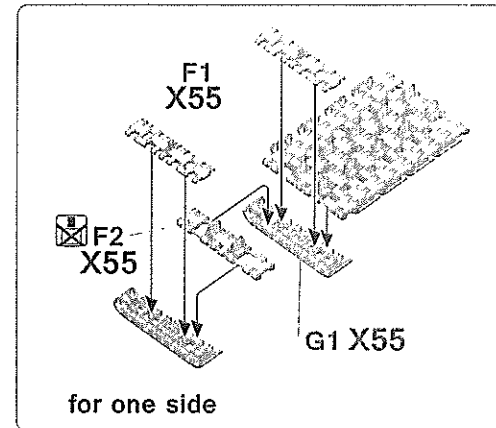


5

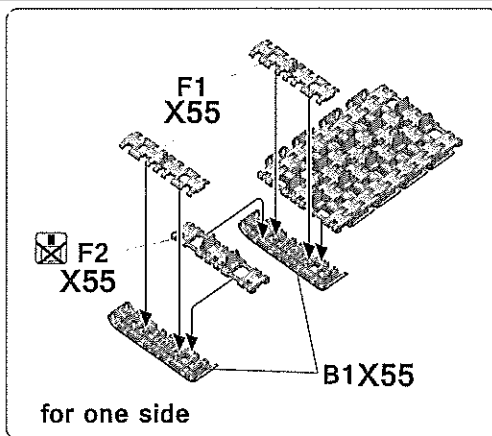
6-2



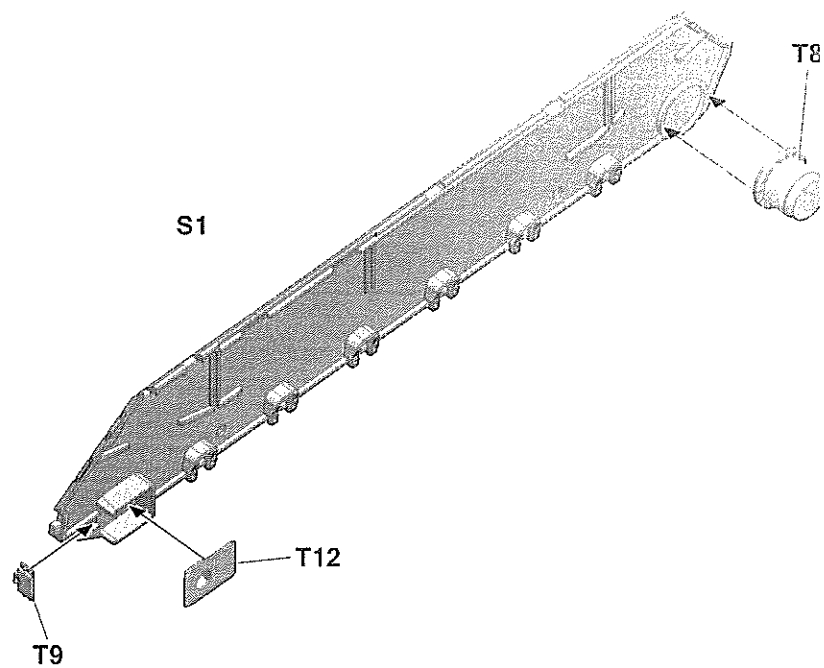
7-2



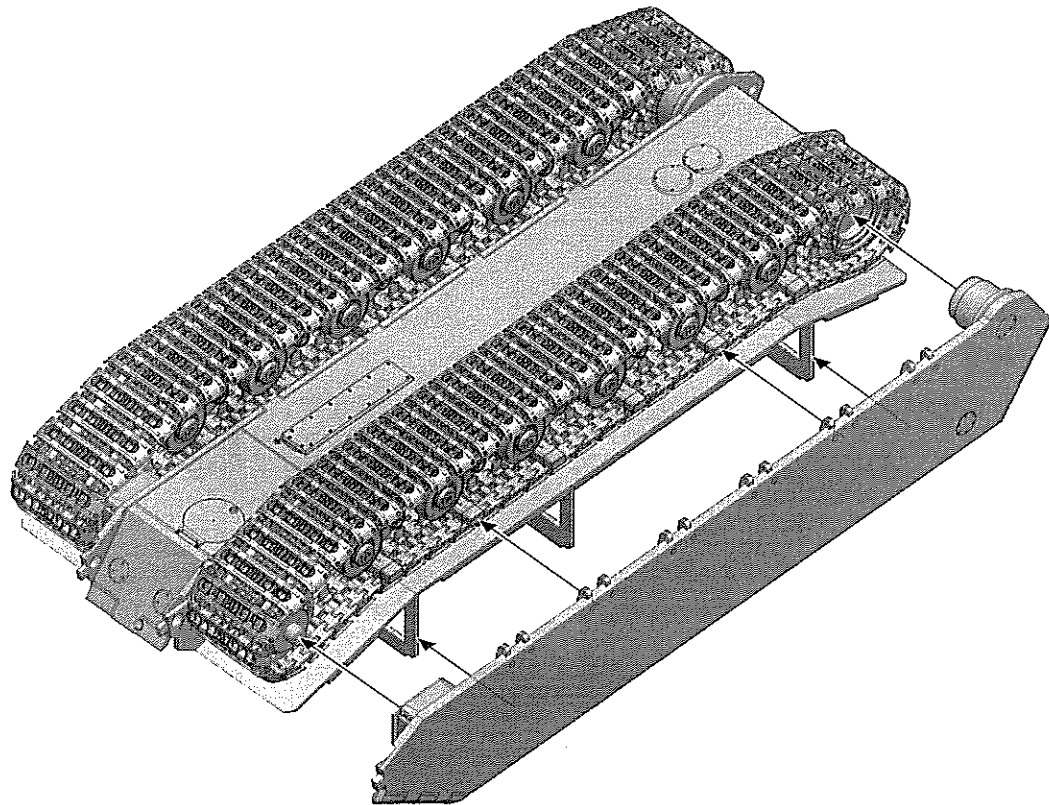
7-1



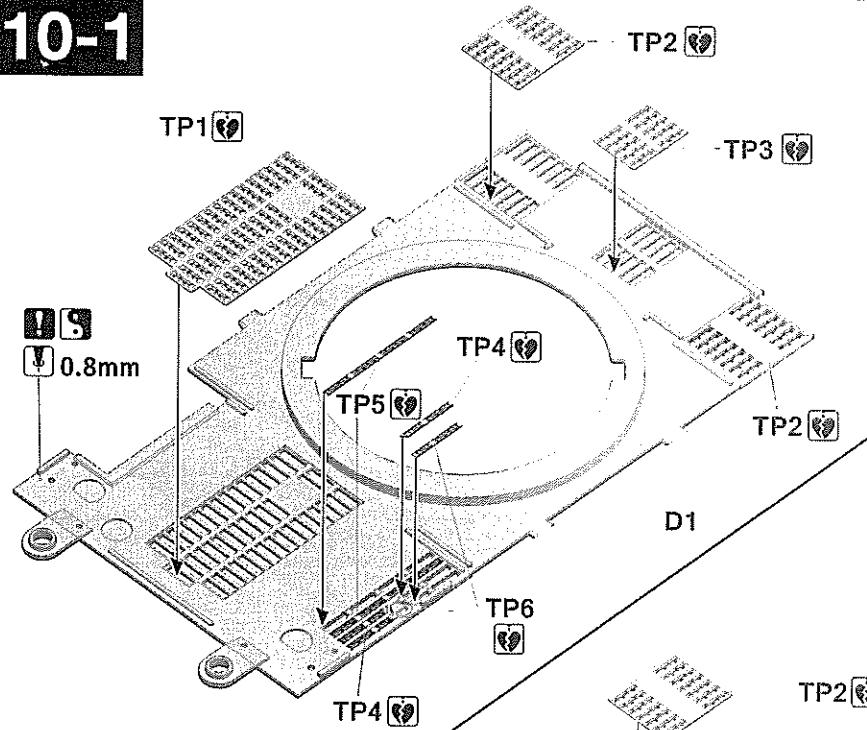
8



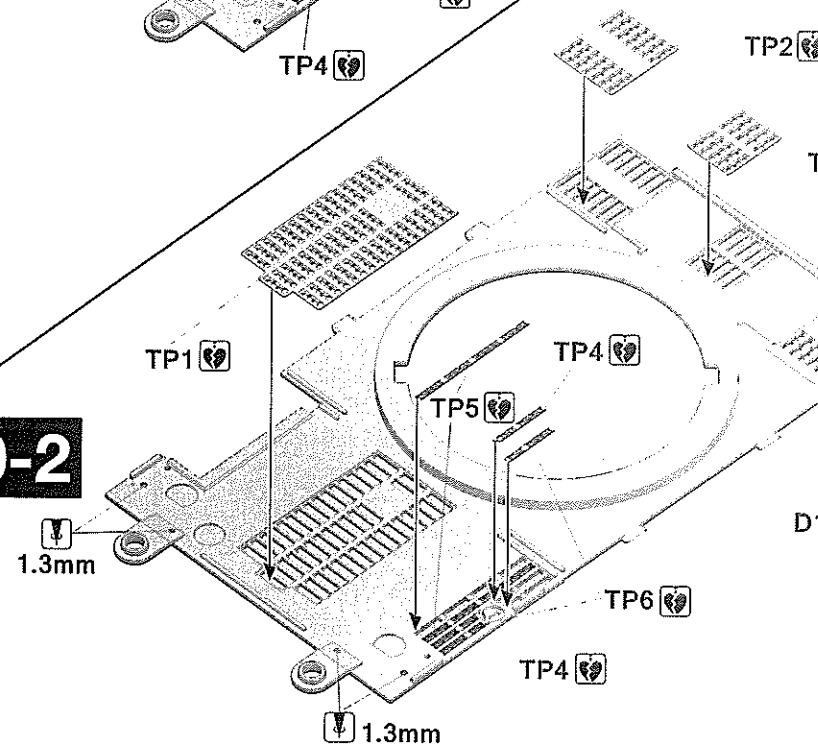
9



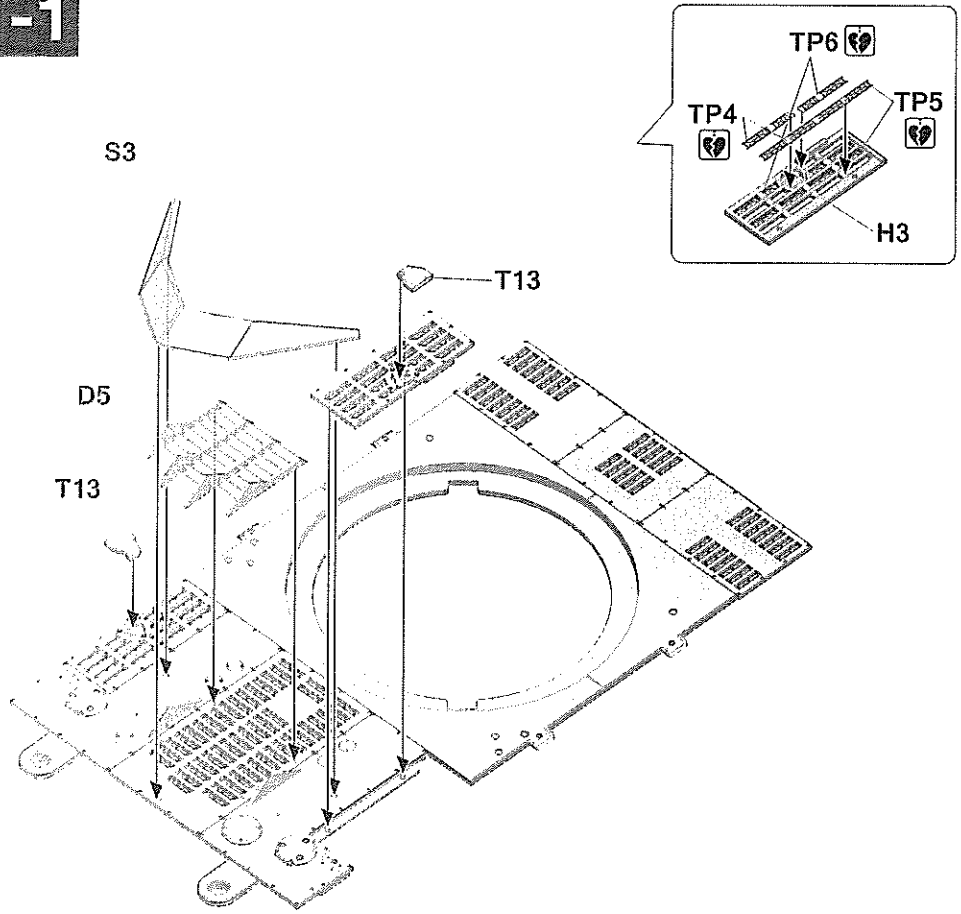
10-1



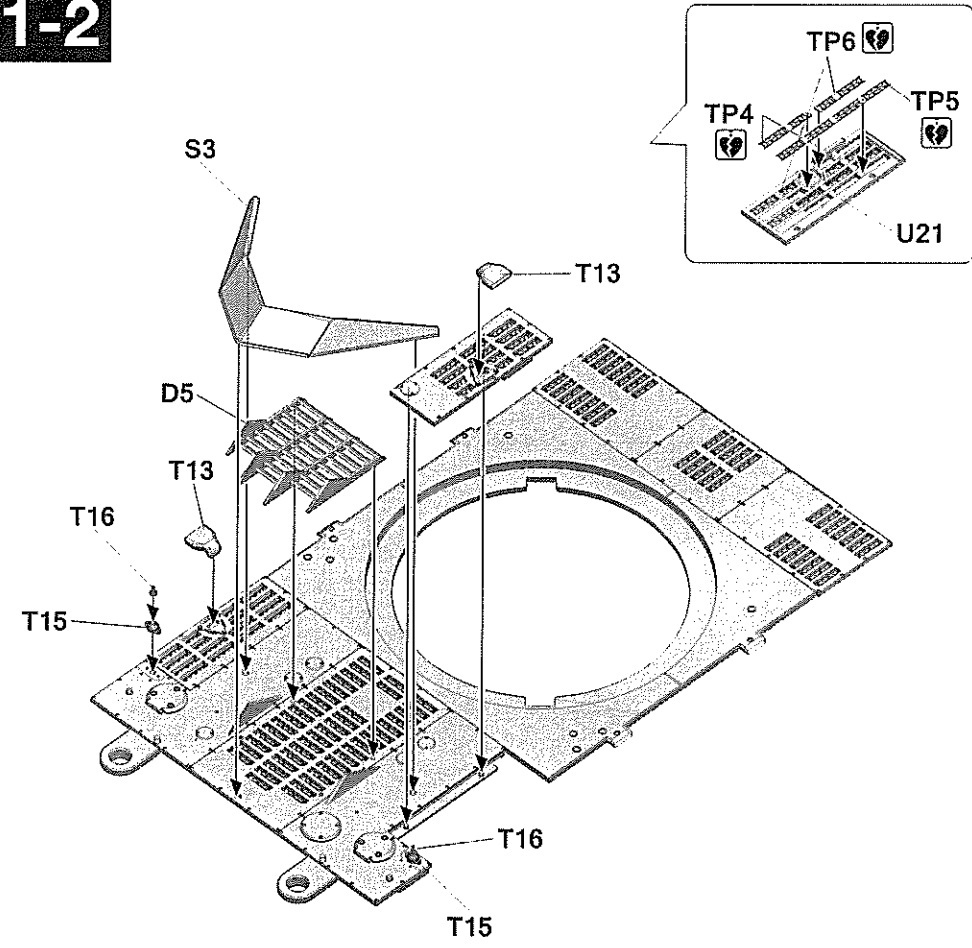
10-2



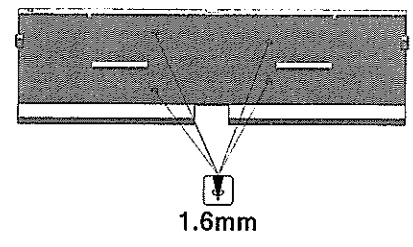
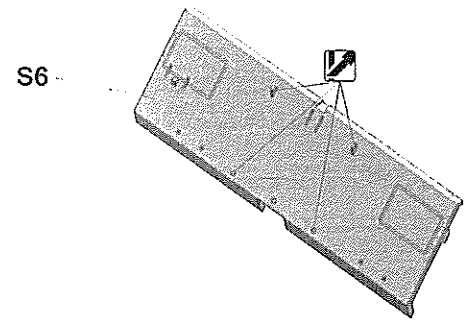
11-1



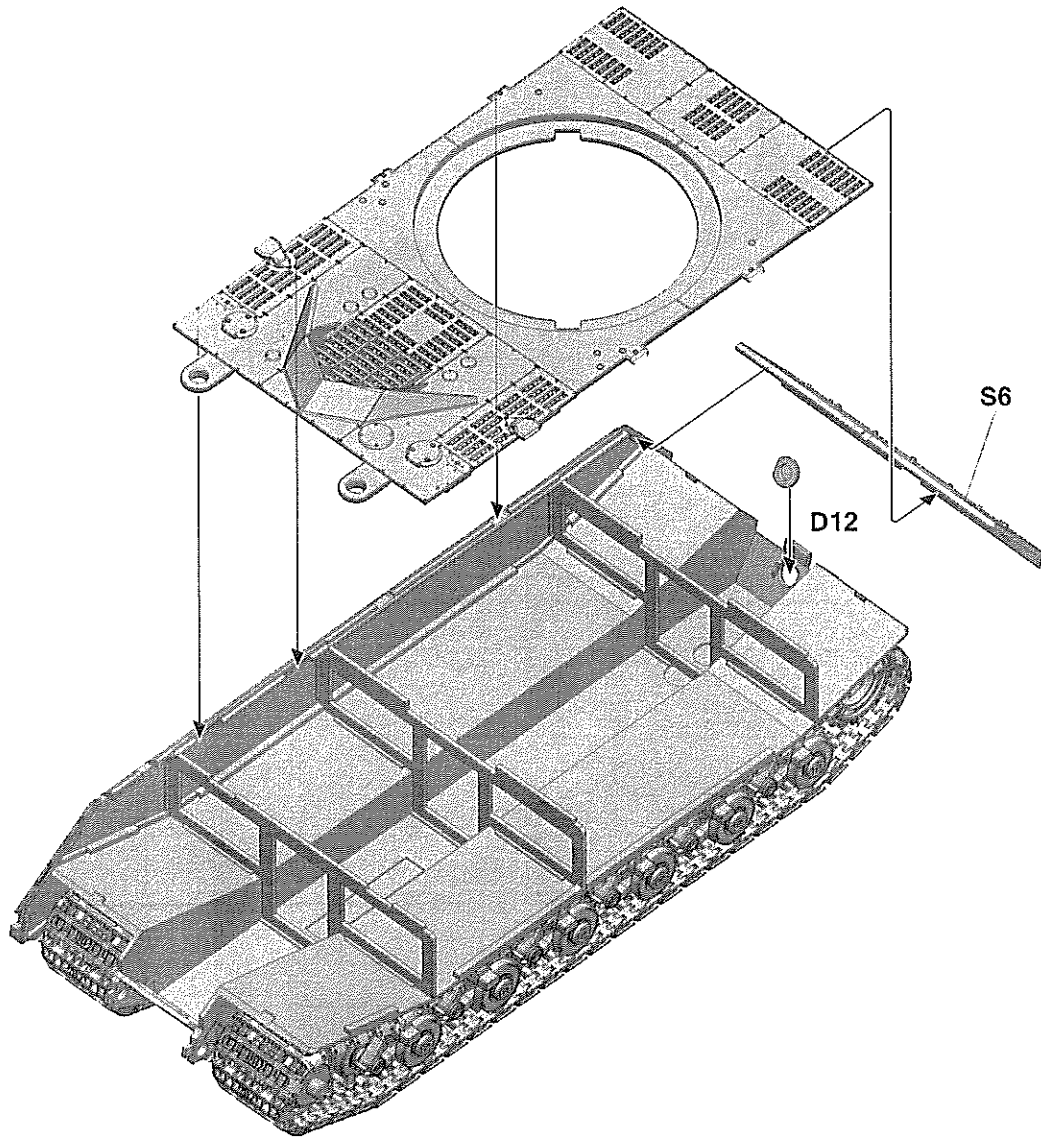
11-2



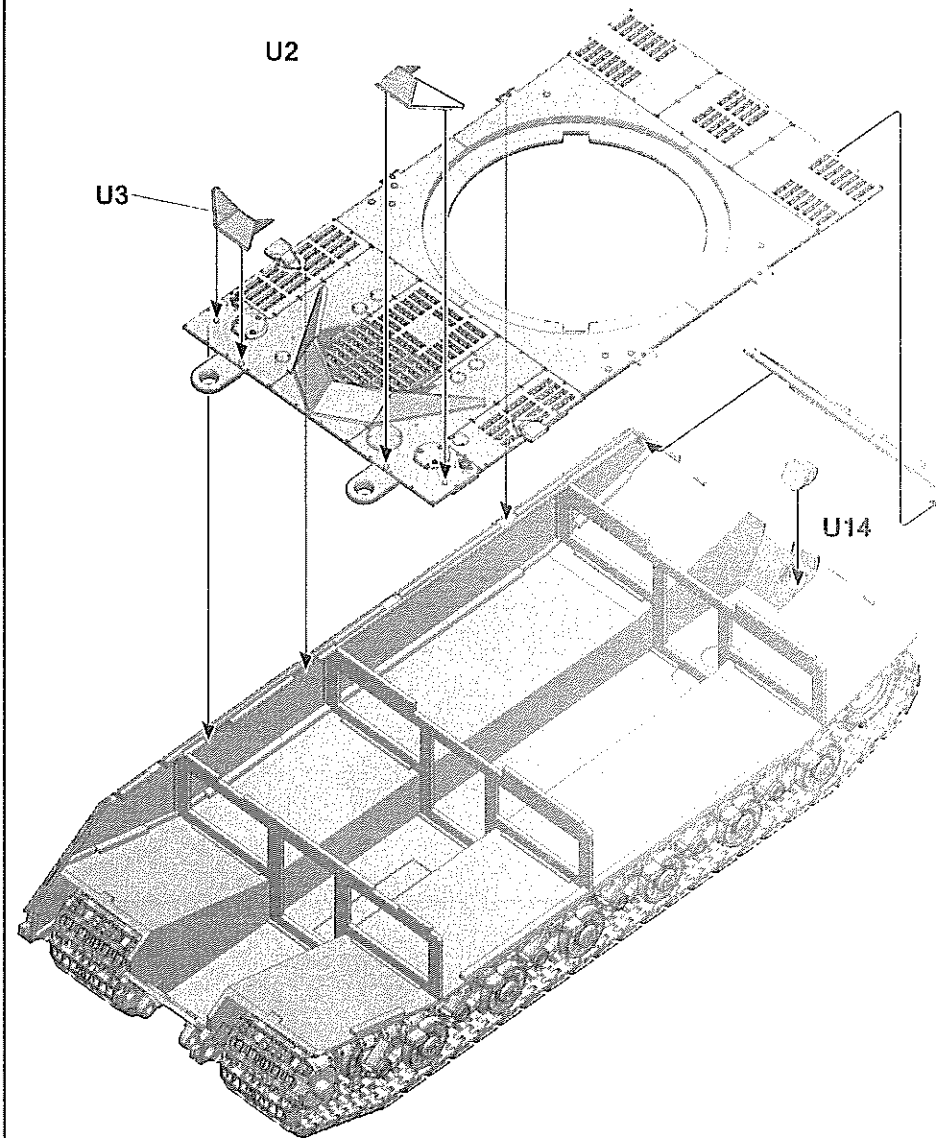
12-2



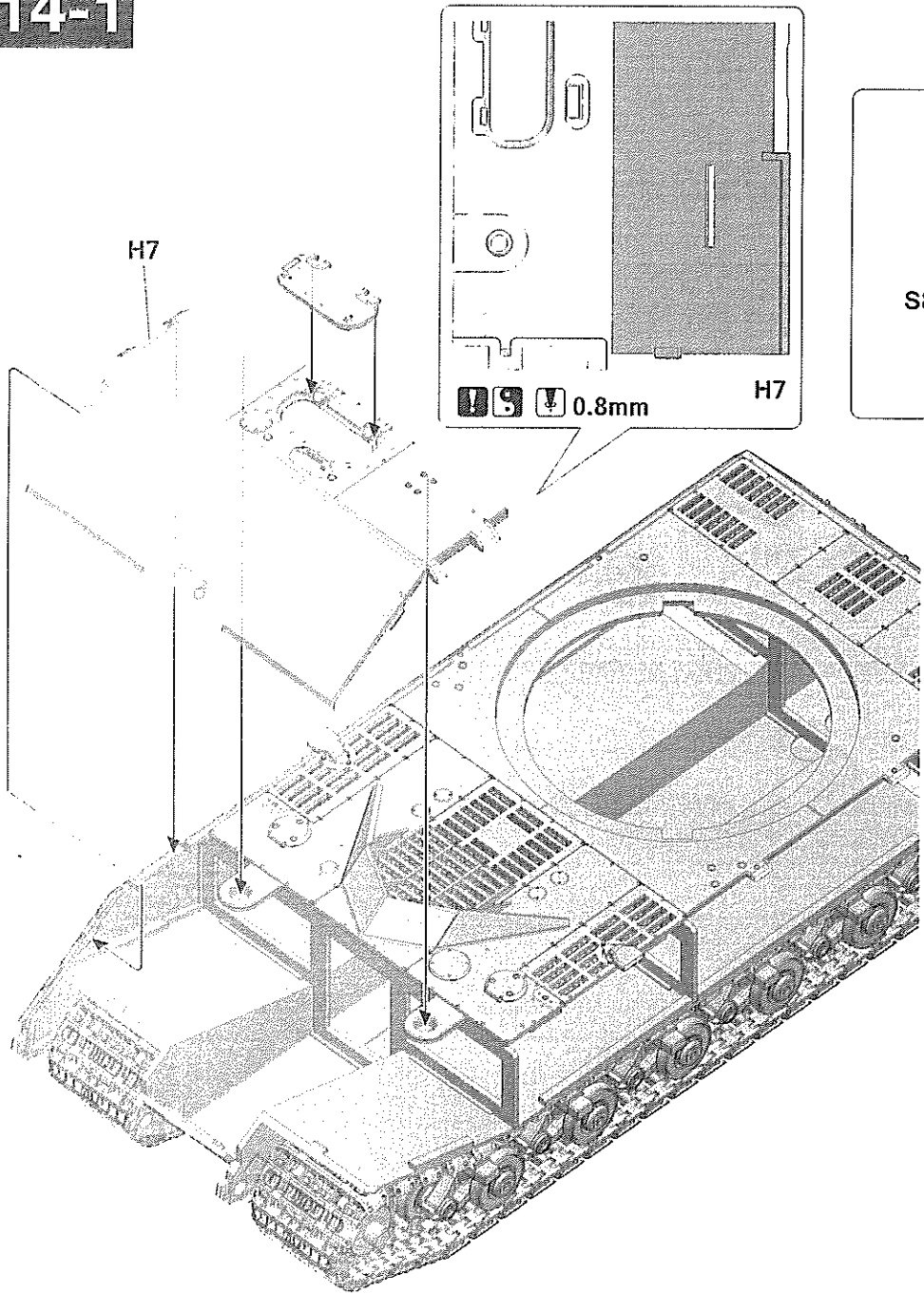
13-1



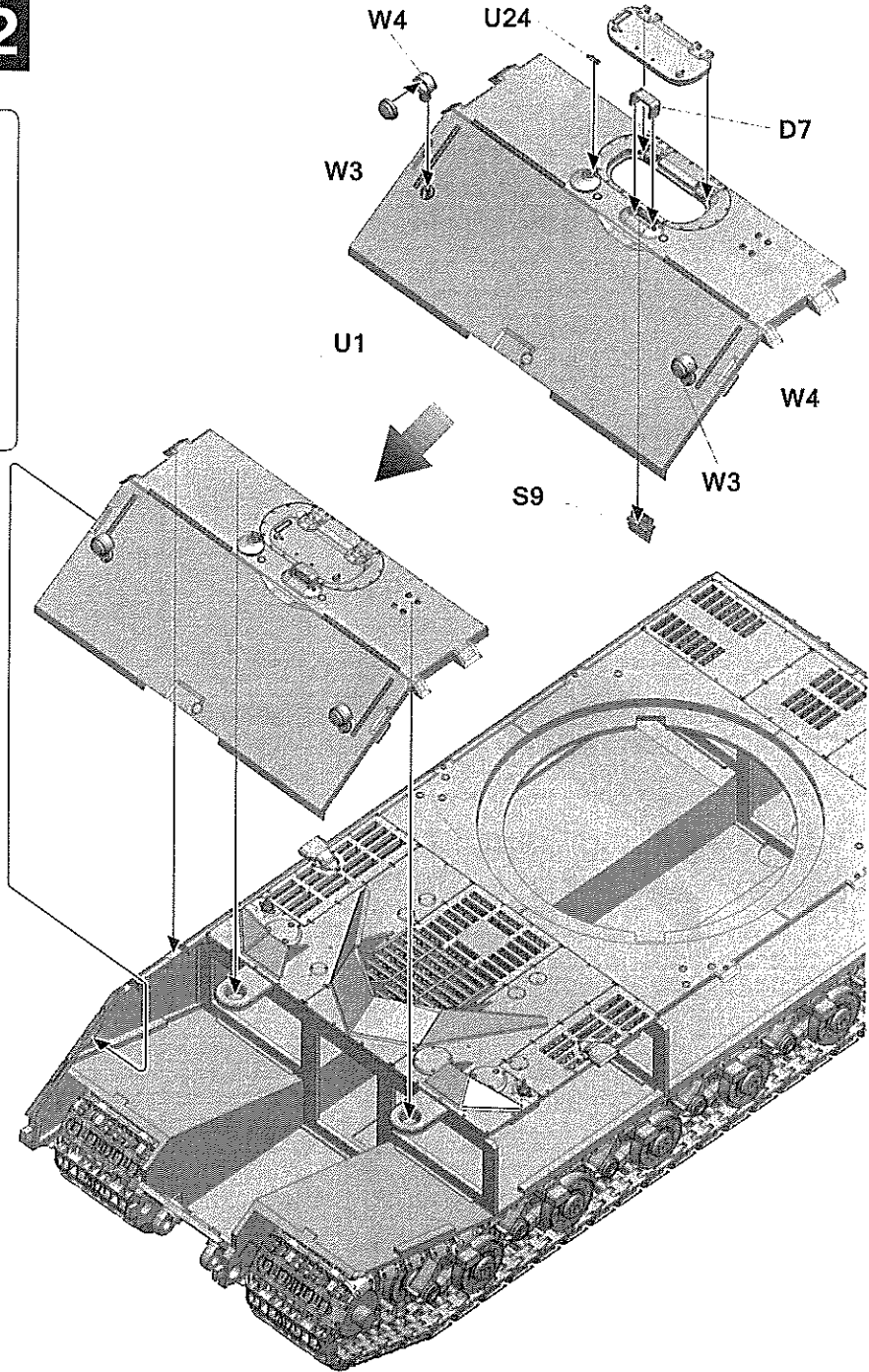
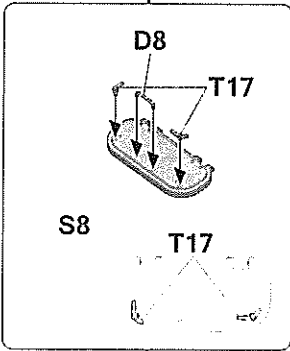
13-2



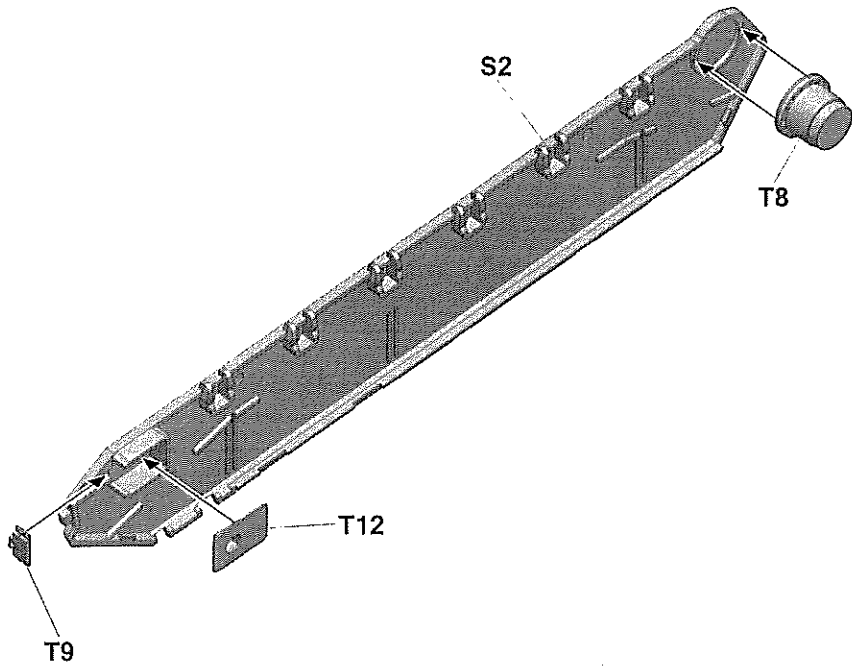
14-1



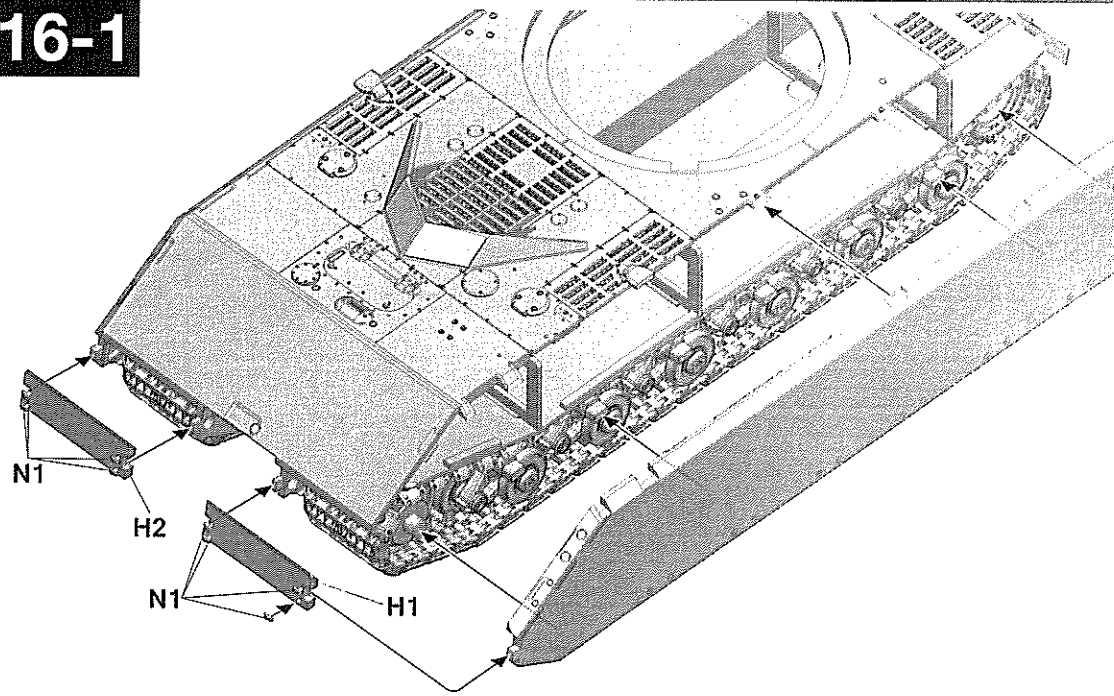
14-2



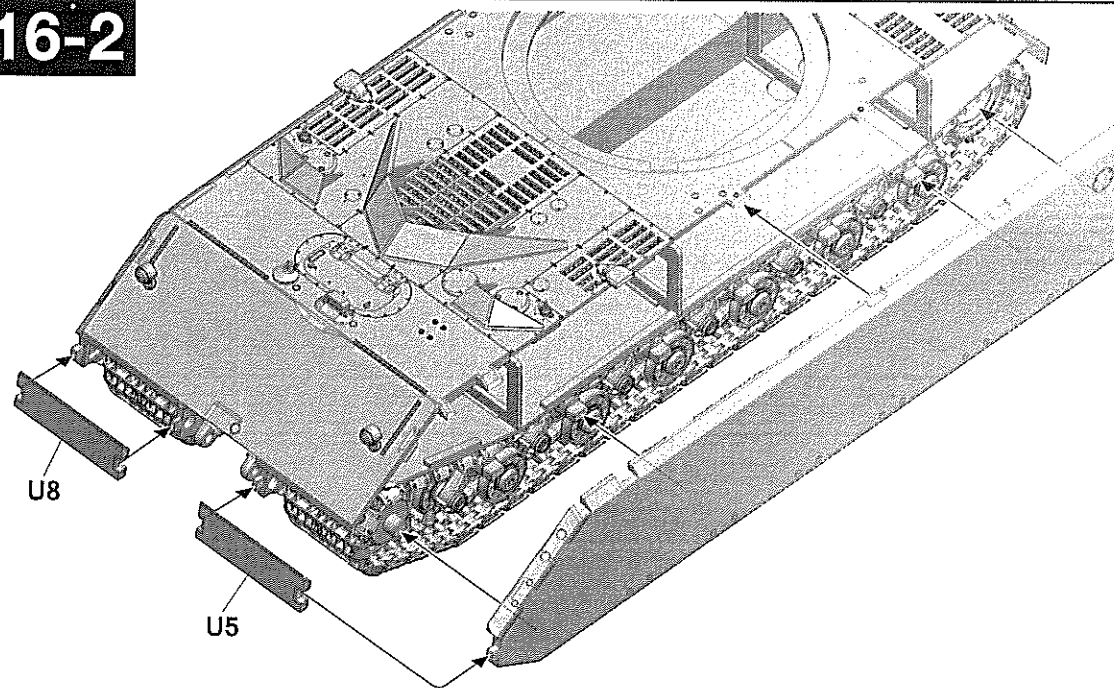
15



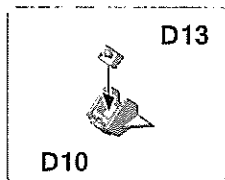
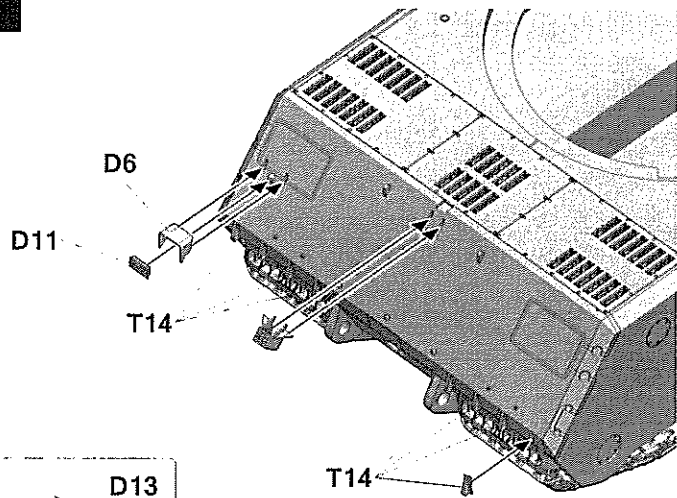
16-1



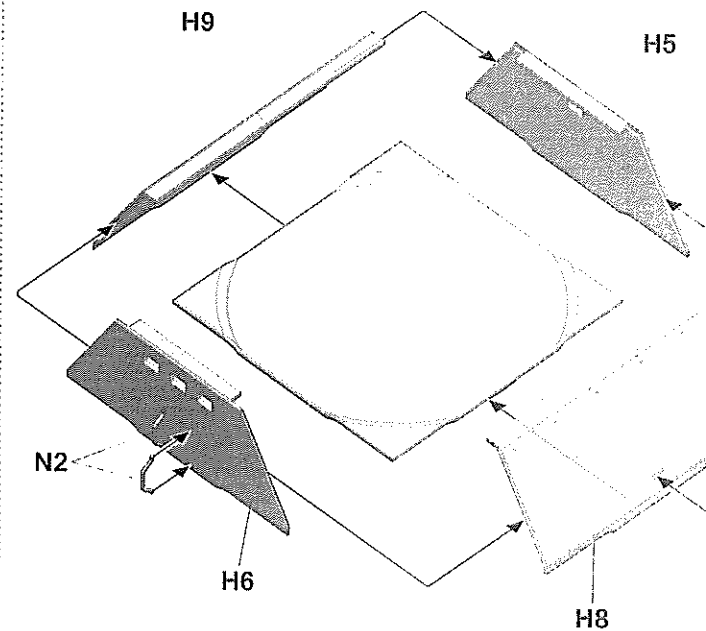
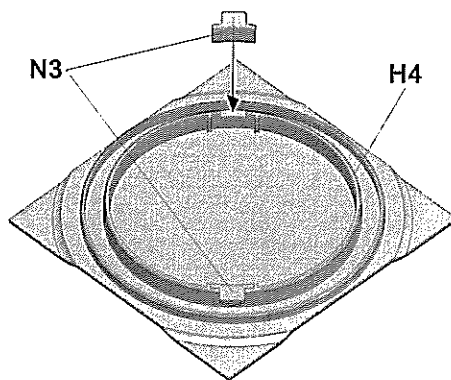
16-2



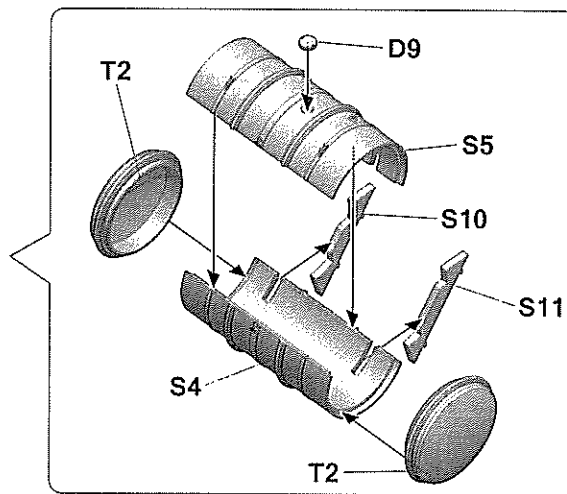
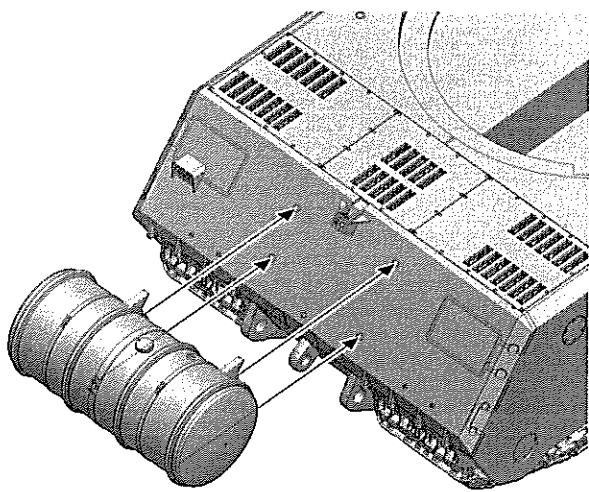
17



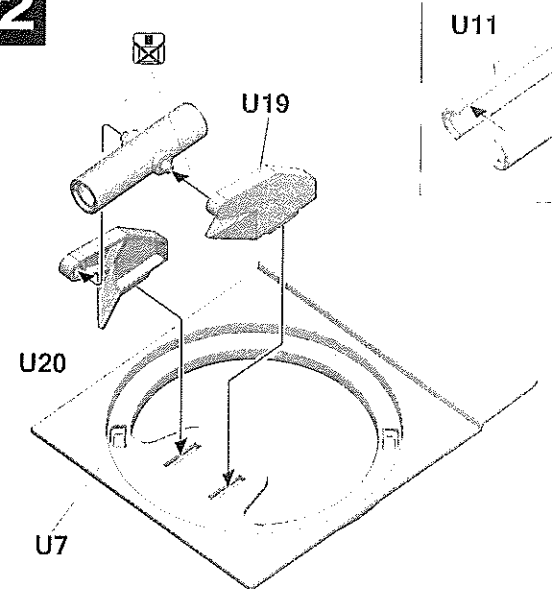
18-1



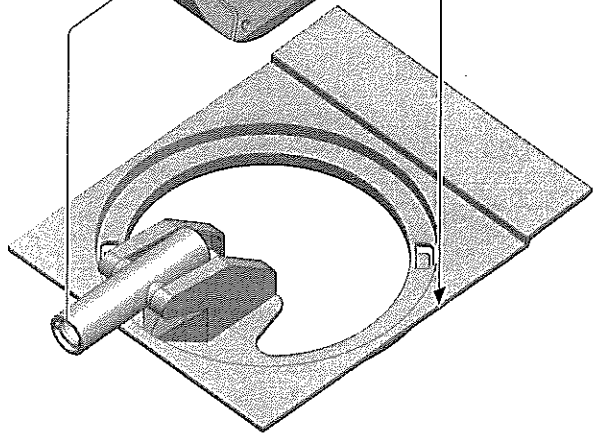
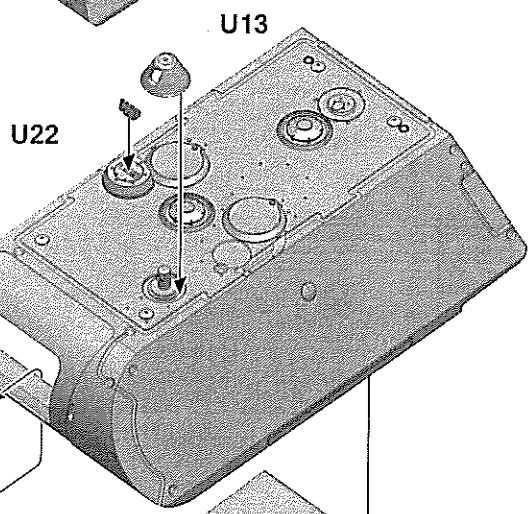
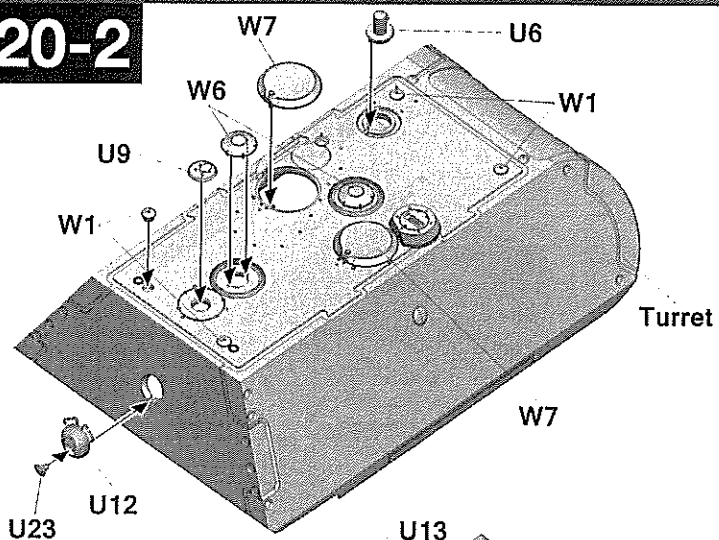
18-2



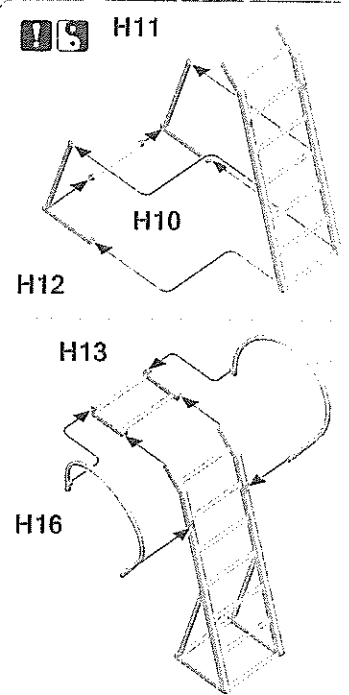
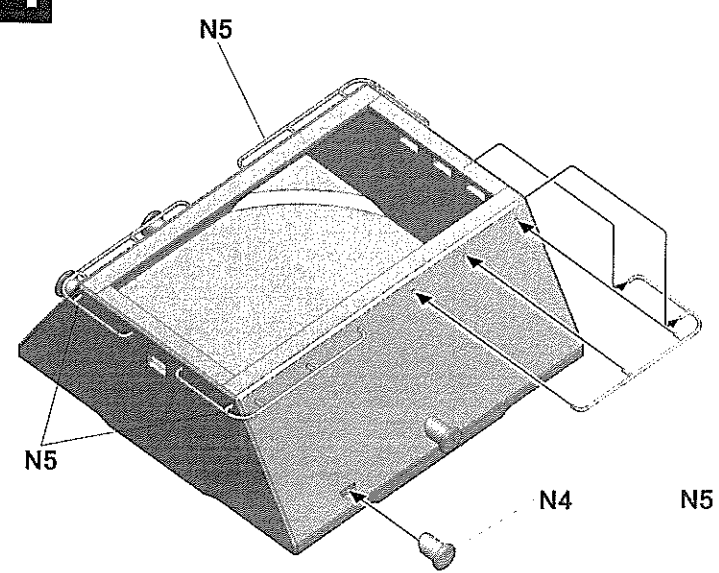
19-2



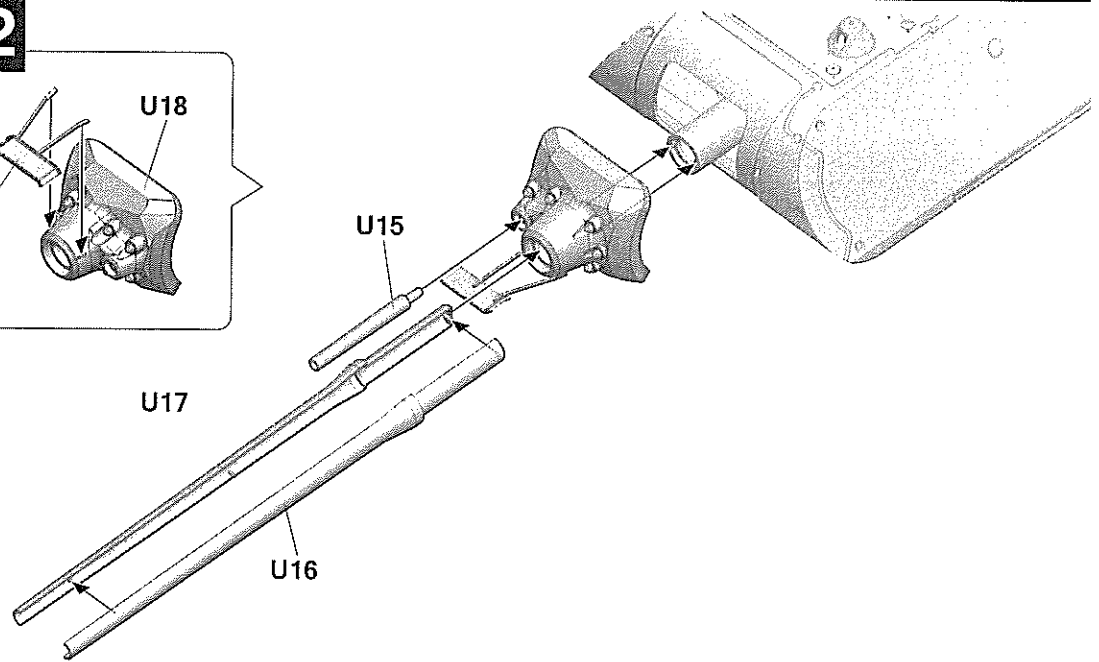
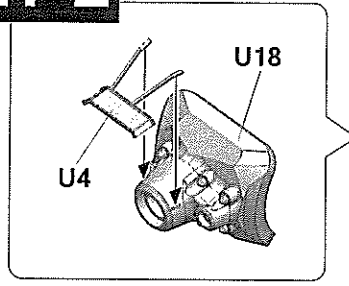
20-2



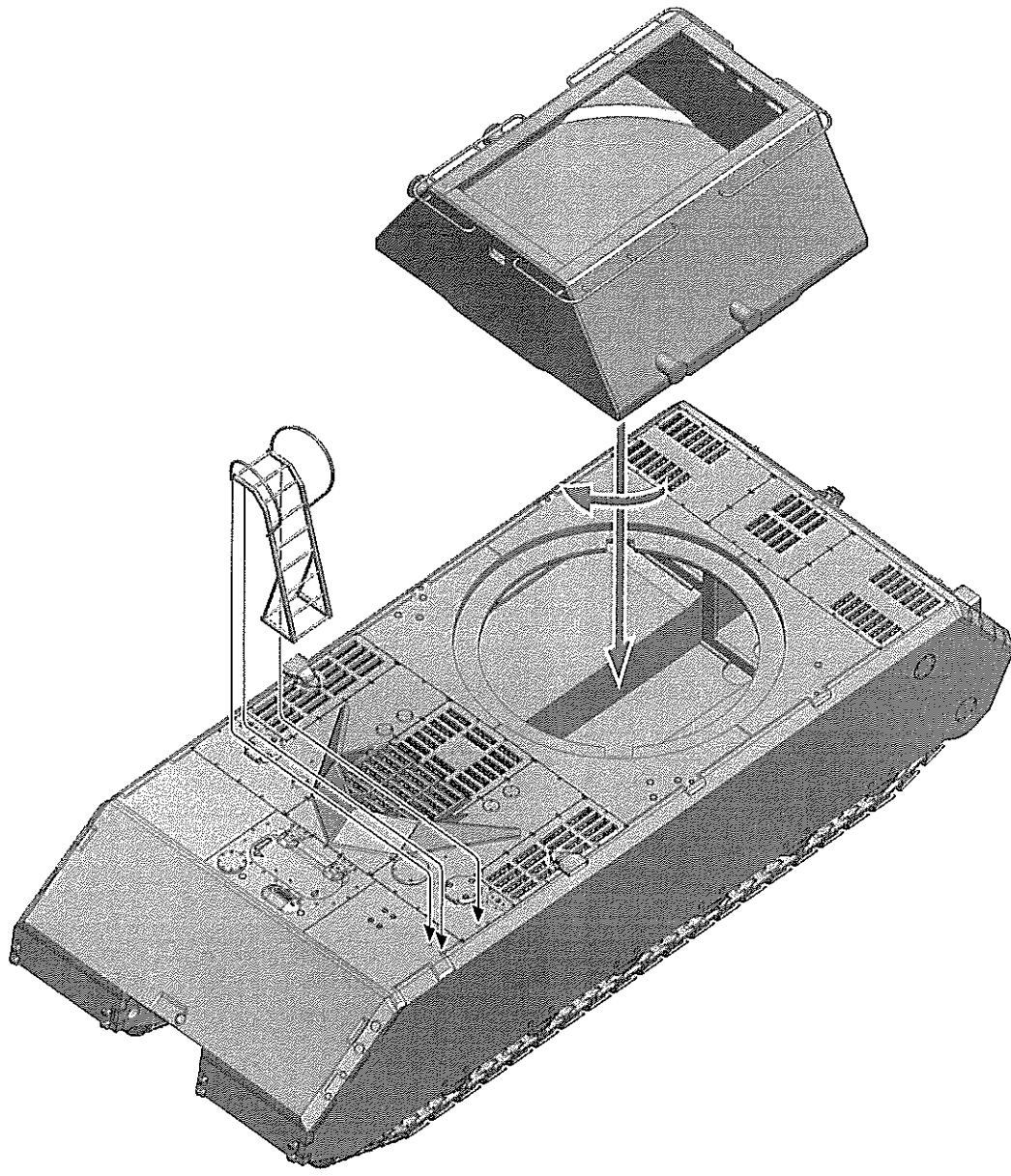
21-1



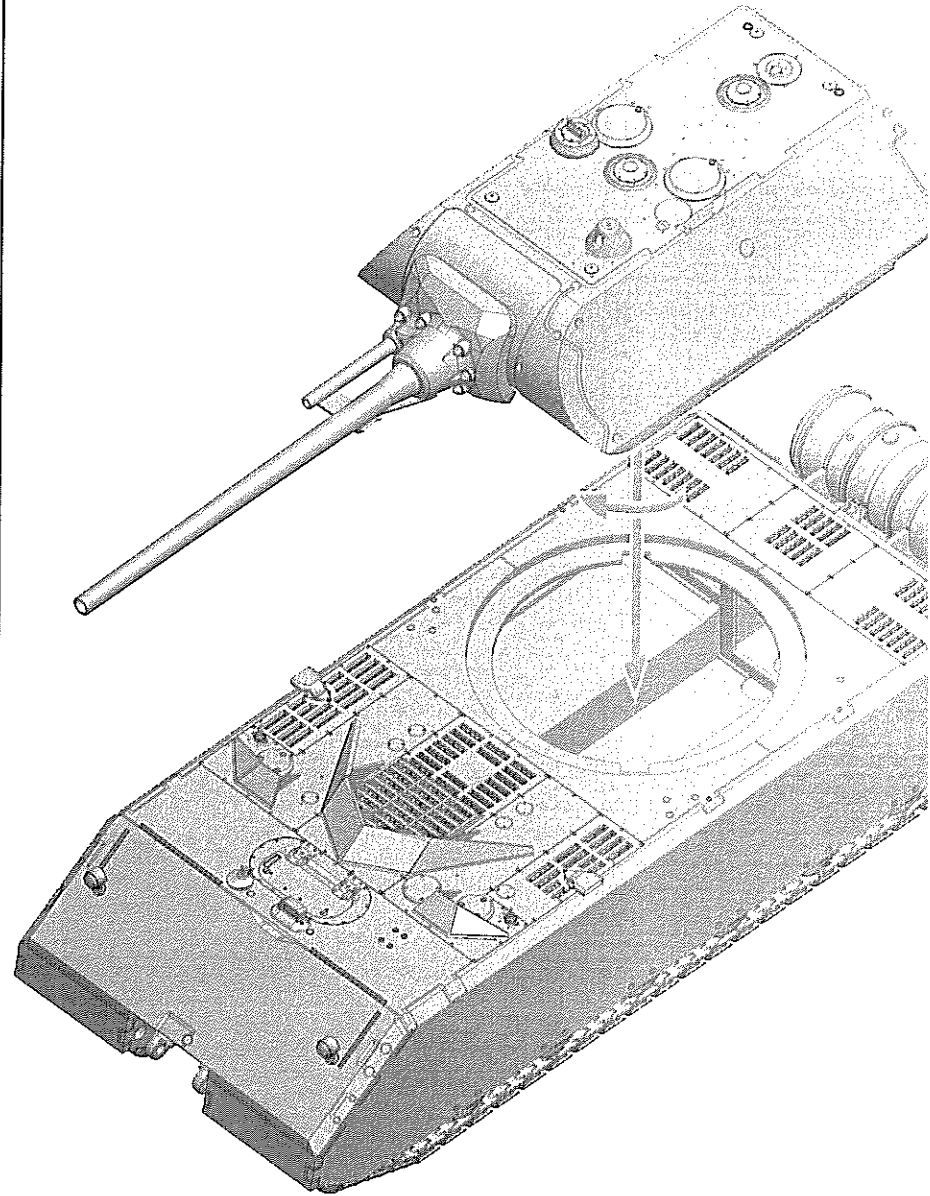
21-2



22-1



22-2



03.03.2050X



MAUS V1

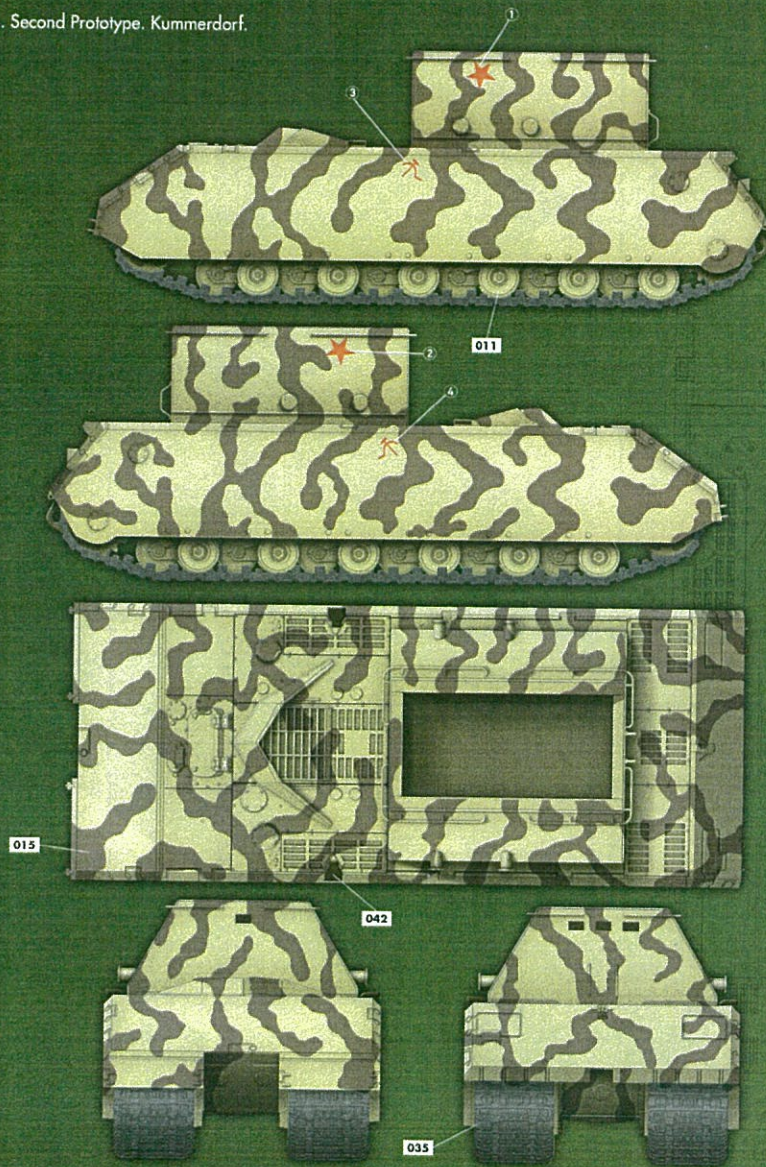
Color info and profiles by



Painting and Marking Guide

011 Dunkelgelb Aus 44 DG I
035 Dark Tracks
042 Old Rust
015 Schokobraun

Maus. Second Prototype. Kummerdorf.



TAKOM MAUS V1 Ref: 2050X

03.03.2050X



MAUS V1

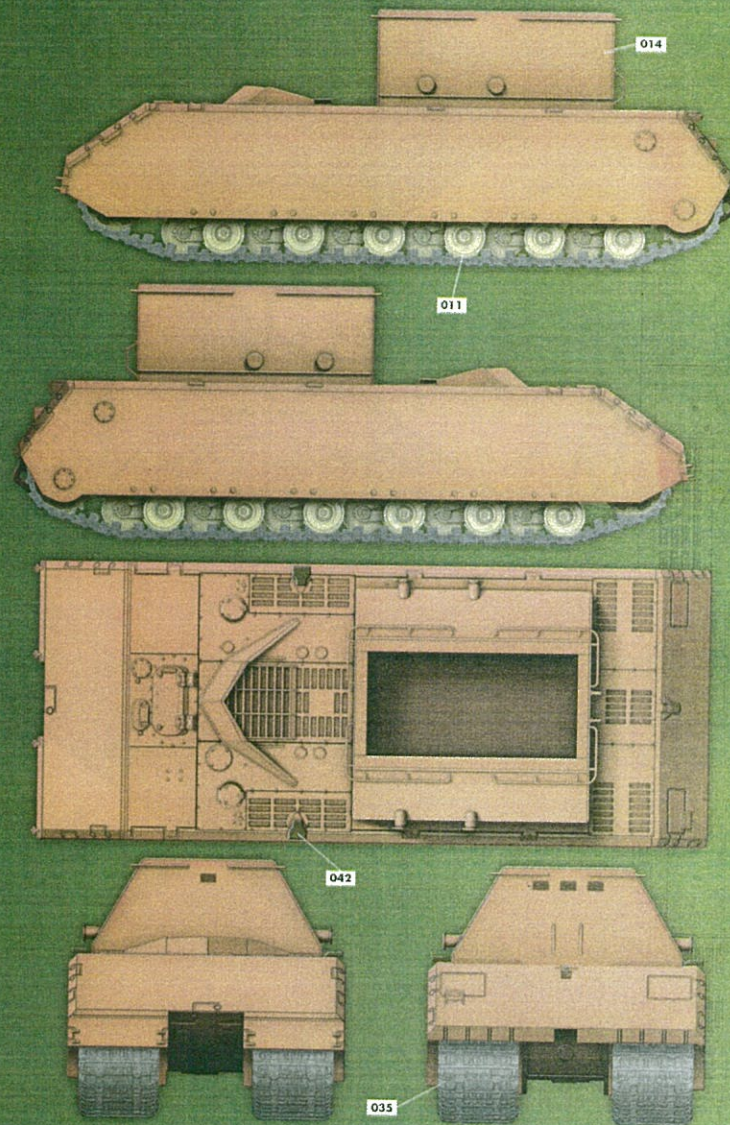
Color info



Painting and Marking Guide

011 Dunkelgelb Aus 44 DG I
035 Dark Tracks
042 Old Rust
014 Rot

Maus. First Prototype. Kummerdorf.



TAKOM MAUS V1 Ref: 2050X

03.03.2050X



MAUS V1

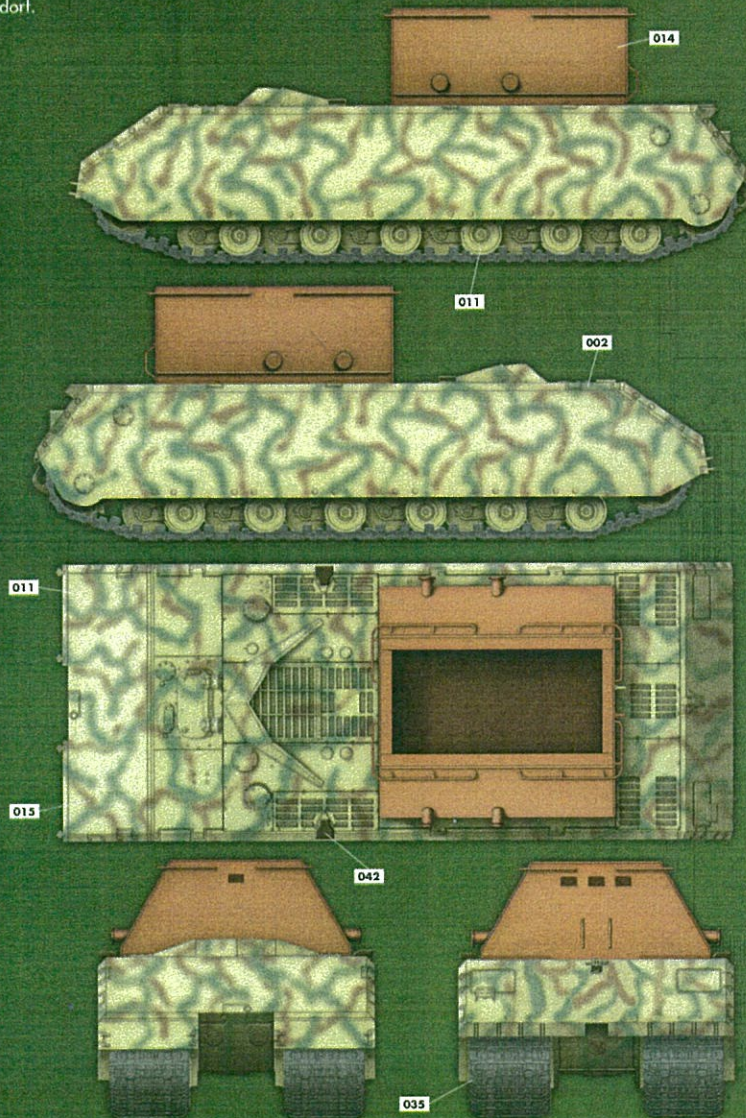
Color info and profiles by



Painting and Marking Guide

- AMIG 011** Dunkelgelb Aus 44 DG I
- AMIG 035** Dark Tracks
- AMIG 042** Old Rust
- AMIG 002** Olivgrün Opt.2
- AMIG 014** Rotbraun
- AMIG 015** Schokobraun

Maus Opt.2, Second Prototype, Kummerdorf.



TAKOM MAUS V1 Ref: 2050X

03.03.2050X



MAUS V2

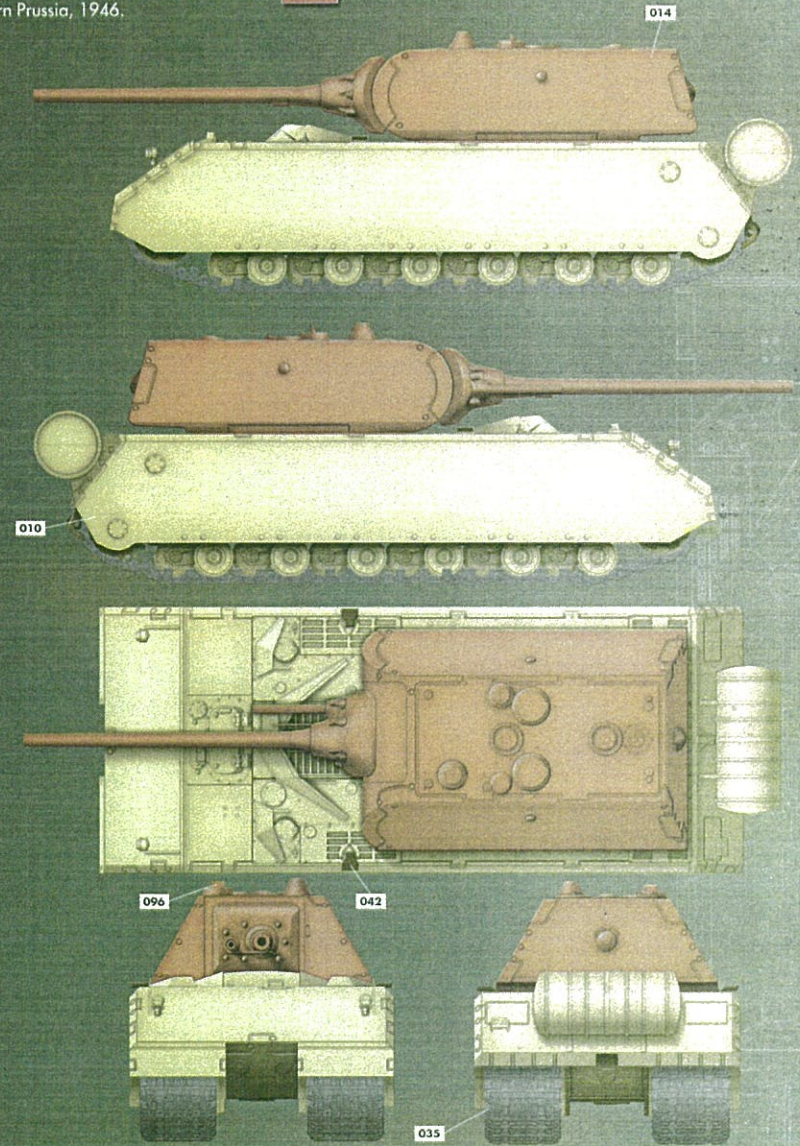
Color info and p



Painting and Marking Guide

- AMIG 035** Dark Tracks
- AMIG 042** Old Rust
- AMIG 096** Crystal Petricose Green
- AMIG 014** Rotbraun
- AMIG 011** Dunkelgelb (implied)

Eastern Prussia, 1946.



TAKOM MAUS V2 Ref: 2050X

03.03.2050X



MAUS V2

Color info and profiles by

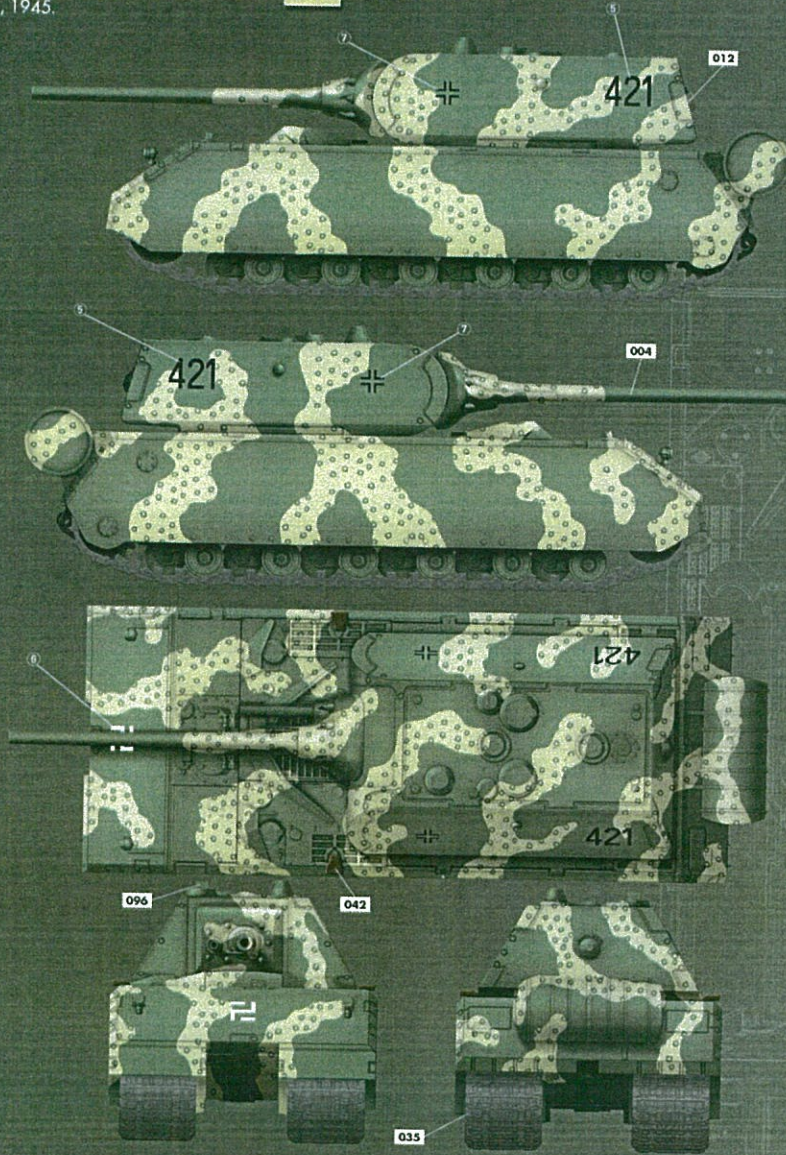


Painting and Marking Guide

AMIG 033 Dark Tracks
 AMIG 042 Old Rust
 AMIG 096 Crystal Parrotcage Green
 AMIG 004 B. Panselagrin

AMIG 013 Dunkelgelb Aus 44 DG III

Berlin, 1945.



TAKOM MAUS V2 Ref: 2050X

03.03.2050X



MAUS V2

Color info c

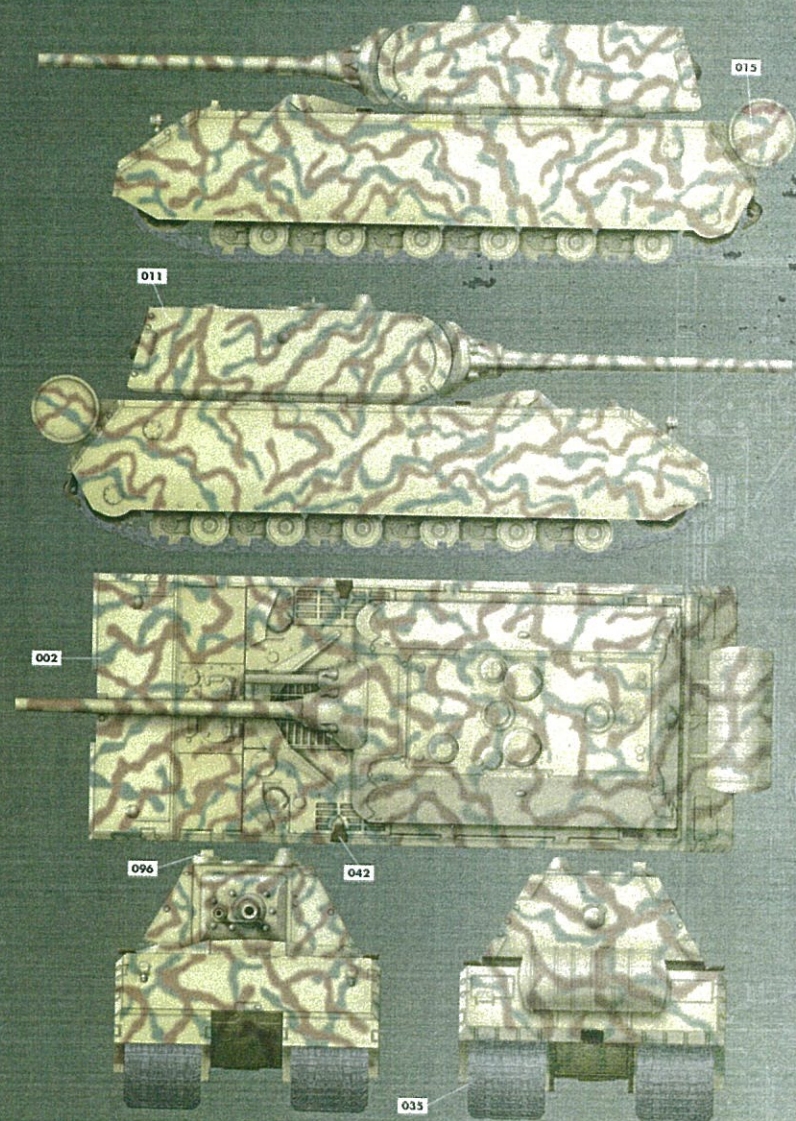


Painting and Marking Guide

AMIG 033 Dark Tracks
 AMIG 042 Old Rust
 AMIG 096 Crystal Parrotcage Green
 AMIG 002 Olivgrün

AMIG 013 Dunkelgelb Aus 44 DG I
 AMIG 015 Schokobrown

Kummerdorf, 1945.



TAKOM MAUS V2 Ref: 2050X

MERKAVA Mk.1



- ALL PARTS CAN BE BUILT IN OPEN OR CLOSED POSITION
- TRACK ASSEMBLY IS AVAILABLE IN 1:100 SCALE
- DETACHED BRIDGE DISPLAY PLATE IS AVAILABLE
- LONG & SHORT SCALE TRACKS ARE PROVIDED
- PE & CLEAR PARTS INCLUDED
- FOODS NOT INCLUDED
- 3 TYPES OF MIRRORS
- 2 TYPES OF TURRETS
- ISRAELI MAIN BATTLE TANK

Designed by
T-Rex Studio
in China



JASON 2017

1/35
No.2079

• READY TO ASSEMBLE PRECISION MODEL KIT • INTENDED FOR COLLECTORS OF AGE 14 YEARS AND ABOVE • MODEL MAY VARY FROM IMAGE ON BOX • CEMENT AND PAINT NOT INCLUDED

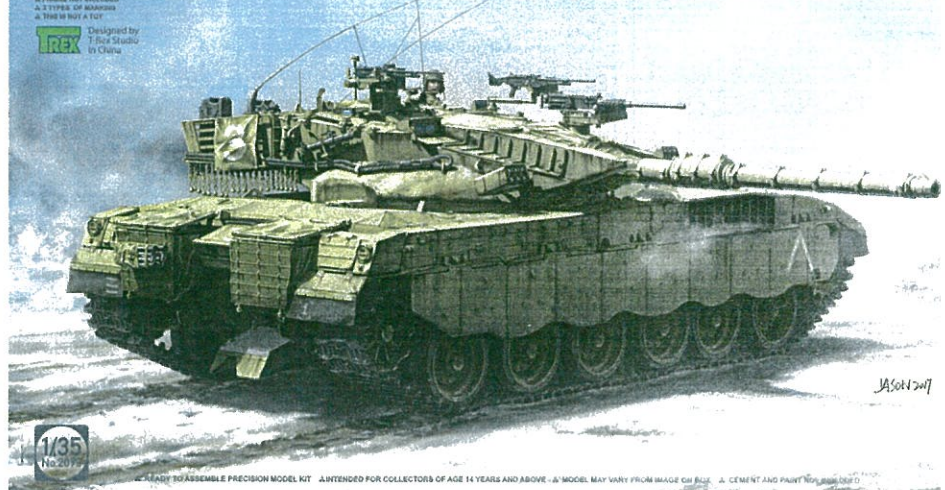
MERKAVA Mk.1 Hybrid



ISRAELI MAIN BATTLE TANK

- ALL PARTS CAN BE BUILT IN OPEN OR CLOSED POSITION
- TRACK ASSEMBLY IS AVAILABLE IN 1:100 SCALE
- DETACHED BRIDGE DISPLAY PLATE IS AVAILABLE
- LONG & SHORT SCALE TRACKS ARE PROVIDED
- PE & CLEAR PARTS INCLUDED
- FOODS NOT INCLUDED
- 3 TYPES OF MIRRORS
- 2 TYPES OF TURRETS
- THIS IS NOT A TIT

Designed by
T-Rex Studio
in China



JASON 2017

1/35
No.2079

• READY TO ASSEMBLE PRECISION MODEL KIT • INTENDED FOR COLLECTORS OF AGE 14 YEARS AND ABOVE • MODEL MAY VARY FROM IMAGE ON BOX • CEMENT AND PAINT NOT INCLUDED



MERKAVA Mk.2B

- ALL PARTS CAN BE BUILT IN OPEN OR CLOSED POSITION
- TRACK ASSEMBLY IS AVAILABLE IN 1:100 SCALE
- DETACHED BRIDGE DISPLAY PLATE IS AVAILABLE
- LONG & SHORT SCALE TRACKS ARE PROVIDED
- PE & CLEAR PARTS INCLUDED
- FOODS NOT INCLUDED
- 3 TYPES OF MIRRORS
- 2 TYPES OF TURRETS
- ISRAELI MAIN BATTLE TANK

Designed by
T-Rex Studio
in China



JASON 2017

1/35
No.2080

• READY TO ASSEMBLE PRECISION MODEL KIT • INTENDED FOR COLLECTORS OF AGE 14 YEARS AND ABOVE • MODEL MAY VARY FROM IMAGE ON BOX • CEMENT AND PAINT NOT INCLUDED

TYPHOON K



- THIS IS NOT A TIT
- TRACK ASSEMBLY IS AVAILABLE IN 1:100 SCALE
- DETACHED BRIDGE DISPLAY PLATE IS AVAILABLE
- LONG & SHORT SCALE TRACKS ARE PROVIDED
- PE & CLEAR PARTS INCLUDED
- FOODS NOT INCLUDED
- 3 TYPES OF MIRRORS
- 2 TYPES OF TURRETS
- RUSSIAN MRAP

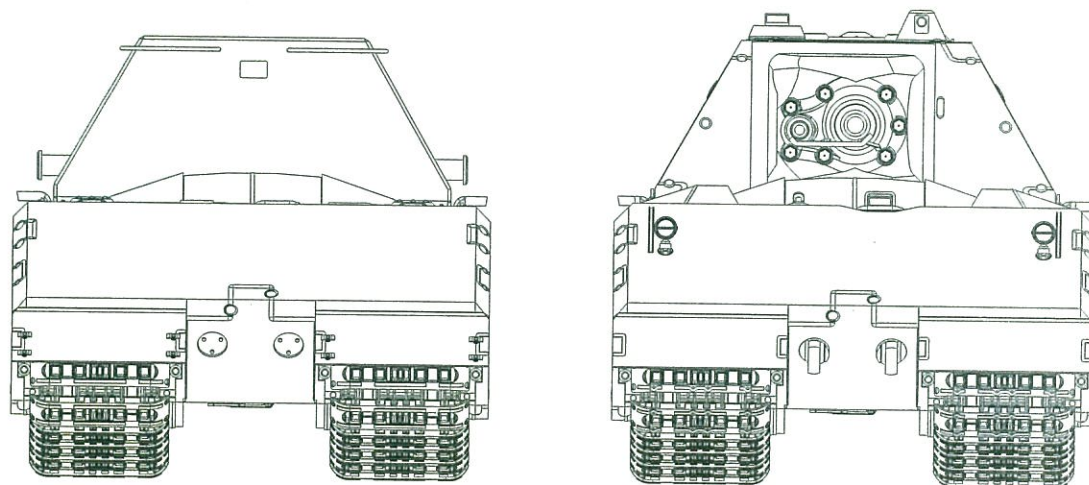
Designed by
T-Rex Studio
in China



JASON 2017

1/35
No.2080

• READY TO ASSEMBLE PRECISION MODEL KIT • INTENDED FOR COLLECTORS OF AGE 14 YEARS AND ABOVE • MODEL MAY VARY FROM IMAGE ON BOX • CEMENT AND PAINT NOT INCLUDED



 You can find TAKOM on Facebook.com