

35213

產品編號: 35213

scale 1/35

1:35 比例



1/35 Bofors 37mm Anti - Tank Gun

Go through this assembly guide and understand it before you start kit assembly

Use usual plastic kit's cements and tools (not included in the kit)

Follow painting guide supplied, use only hobby paints

Work carefully with photo etched parts if included, use C/A glues to assemble them

請您在組裝此產品前仔細閱讀組裝指南;

請使用通用塑膠模型黏合劑和工具(本產品不附帶);

本產品所以提供的噴塗指南只適用本於模型;

如果本產品含有蝕刻套件,請小心仔細處理, 請使用C/A膠水組裝;

組み立て前にこの組み立てガイドをご覧ください。

プラスチックキット専用接着剤と専用工具をご使用ください。(ともにキットには含まれていません)

塗装ガイドに従ってください。専用塗料をご使用ください。

エッチングパーツの組み立ては細かいパーツのため注意が必要です。また接着には瞬間接着剤を使用してください。



cut/remove

切下 / 移除

切断/切り離し



drill hole

鑽孔

ドリル穴



no glue

不適用膠水

接着しない



bend

折彎

折り曲げ



cyanoacrylate glue

氰基丙烯酸酯膠水

瞬間接着剤



string or wire

細繩或者金屬絲線

糸または金属線



rope

繩

ひも



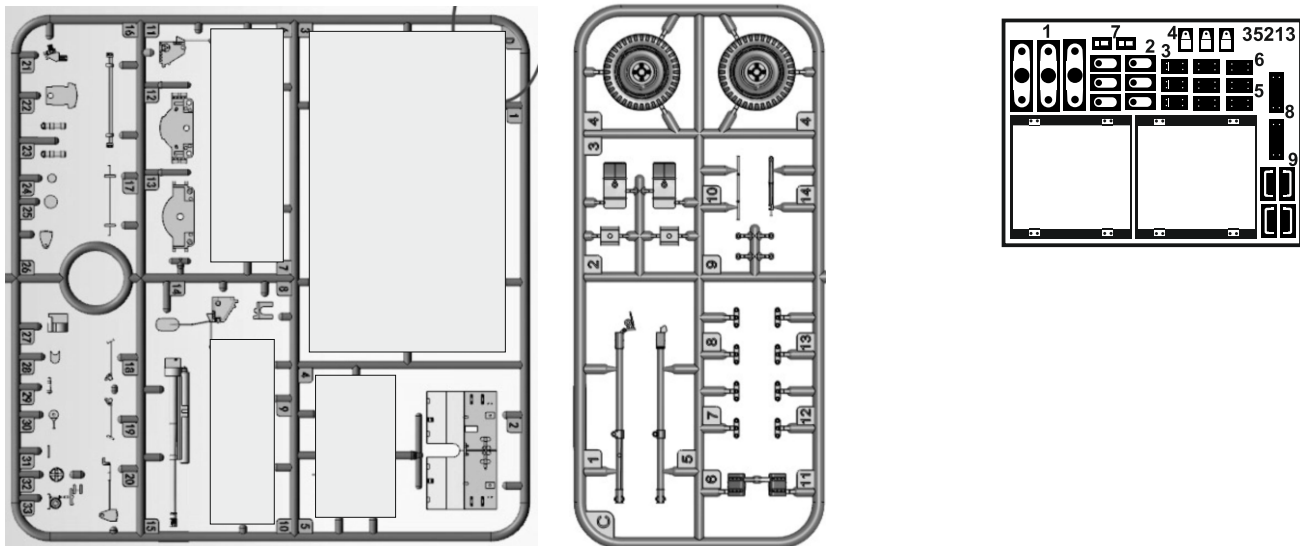
PE - press rivets (lines)
from the etched off side

蝕刻片 -
請从蝕刻掉的一側压铆钉 (线)

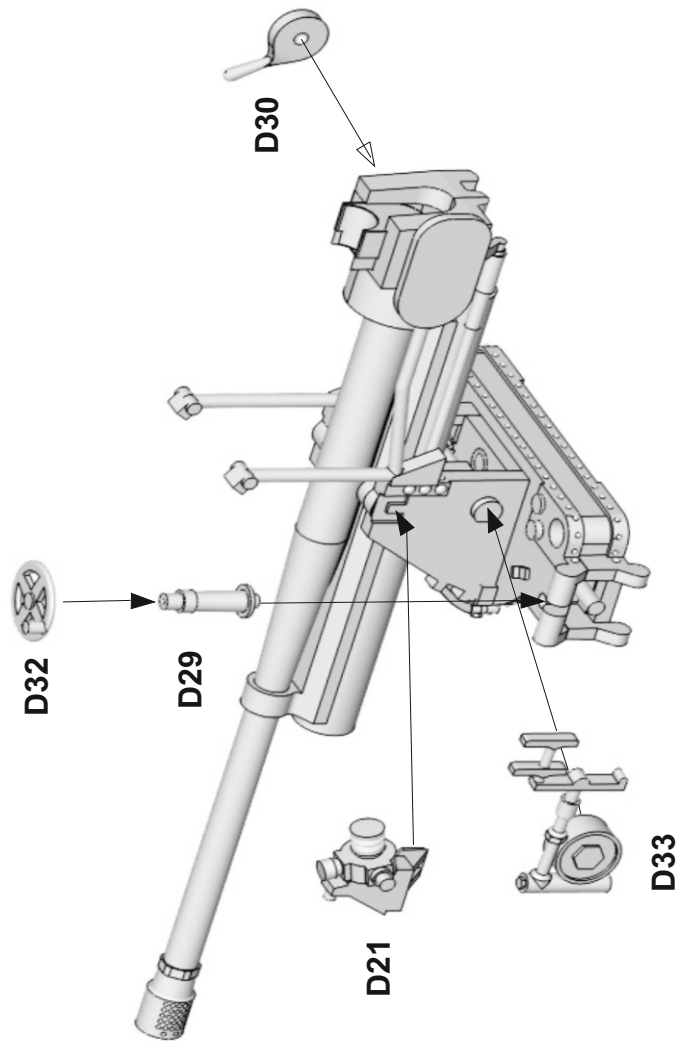
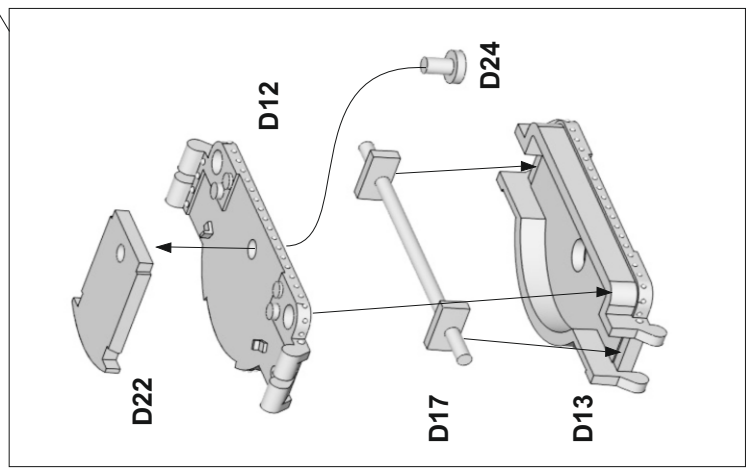
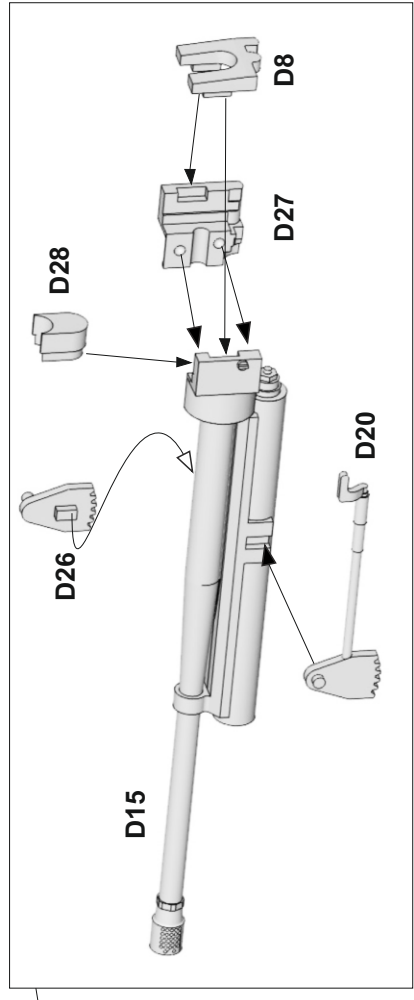
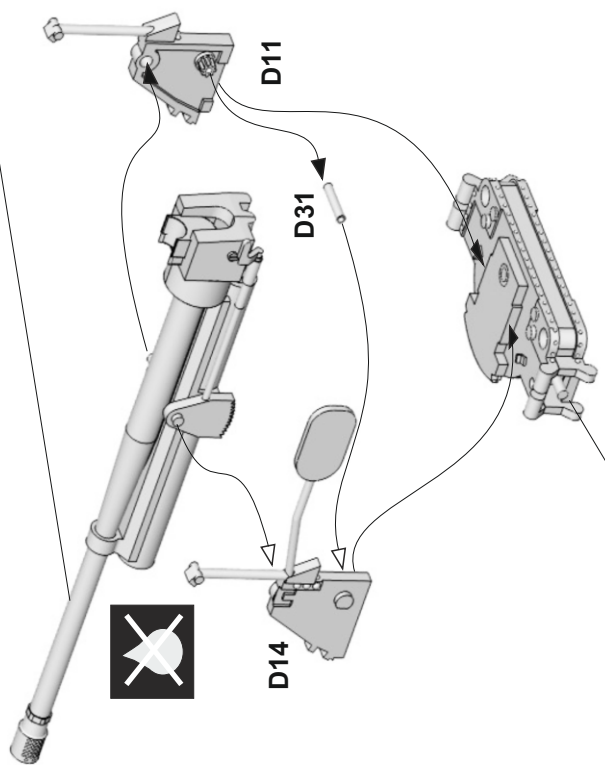
ラインやリベット部分を未エッチング面から圧を与える

Introduction - by Erik Ahlström 37mm Pansarvärnskanon m/38

After WW I The Swedish Army realized the need for an Infantry support gun as a response to the threat of modern armoured vehicles. Bofors AB developed a gun ready for trials 1932, it was now redesigned as an Anti tank gun. This gun eventually ended up as Bofors "37mm Anti-Tank gun L45". In the Swedish Army it received the name "37mm Pansarvärnskanon m/38". It was not only supplied to The Swedish Army but also offered commercially by Bofors. It proved to be very popular and were bought by many countries, including Great Britain, Finland, Poland and many others. The gun was produced not only by Bofors but licences were sold to several countries since Bofors production facilities were unable to meet the demands. (Bofors supplied In total 1251 guns to the Swedish Army, including guns for tanks) The largest other producer was Poland, who produced over 1000 guns, including guns for tanks. The difference between the different countries guns can mainly be seen in the wheels, Sweden having its characteristic HOHO pattern tyres, Denmark traditional "truck" hubs and the Polish and British guns shared a very "jeep like" wheel. Another difference is the Swedish guns gun shields that are uneven. These were individually cut with a blowtorch and does not follow any pattern. Germany captured many guns during the 1939 campaign in Poland and these, just like many other captured guns from Denmark, were supplied to Germans allies. Great Britain ordered 250 guns but the order was annulled after 80 guns were delivered, Sweden now in desperate need of all of Bofors production capacity. It seams like all of these British guns were sent to North Africa were they were carried portee on the small Morris-Comercial CS8 15 Cwt trucks. A small number was also allocated to the LRDG and mounted on their Chevrolet WA and Ford F30 trucks. These LRDG guns were not carried Portee style, these guns were permanently mounted minus parts of the carriage and wheels. The most famous battle the Bofors gun took part in was the Battle for Beda Fomm where they were part of Comb Force. The small Bofors 37mm Atk gun was used by many countries, the first use was by the Republican forces in the Spanish Civil War, these guns most likely came from Polish production. During WW II it was used by many countries on both sides, sometimes captured samples.

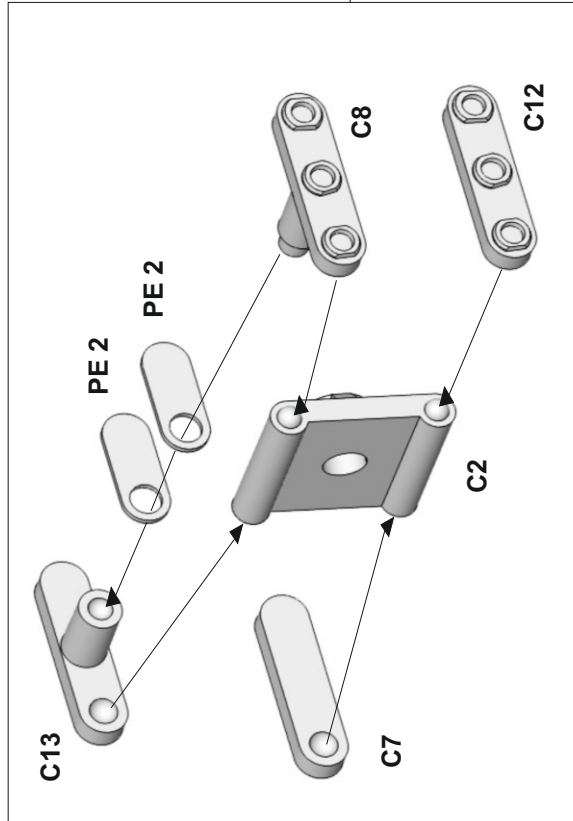


1



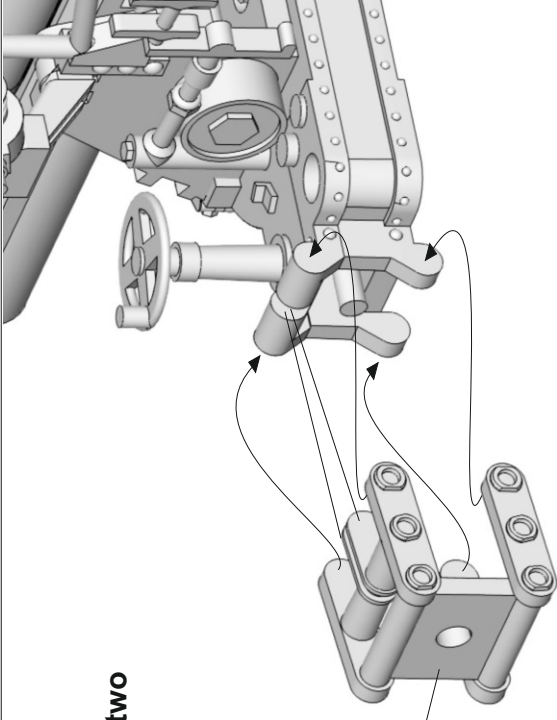
3

2

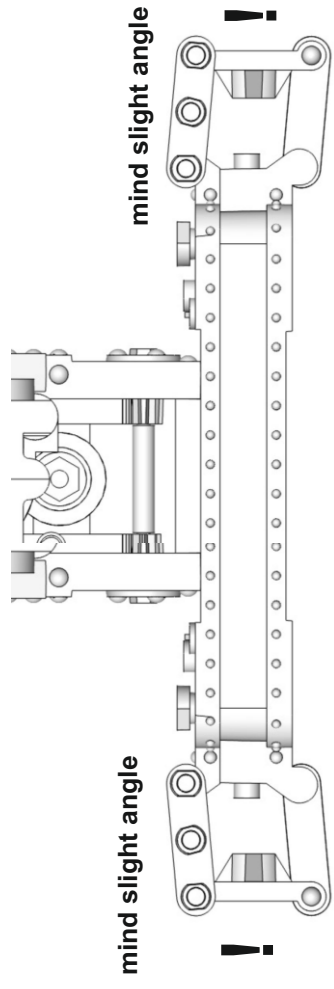


make two

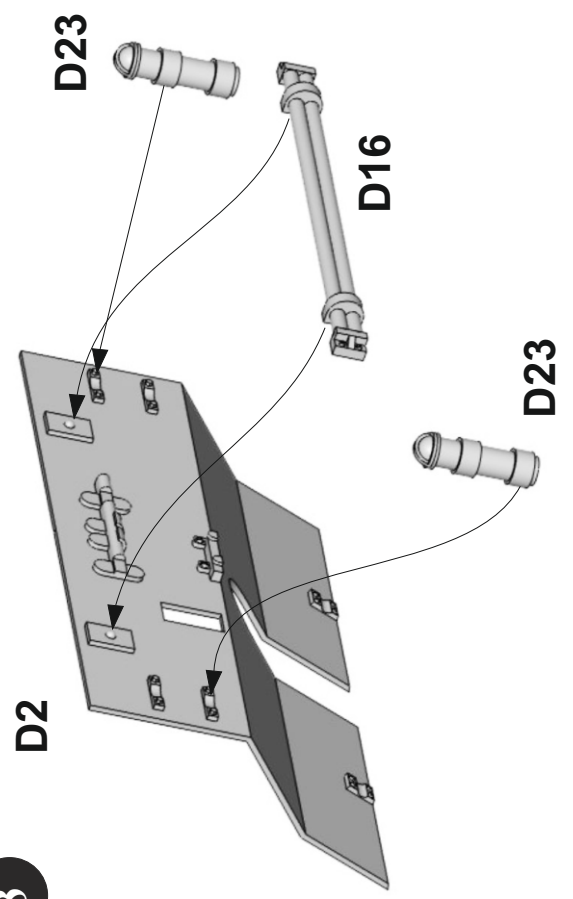
1



both sides

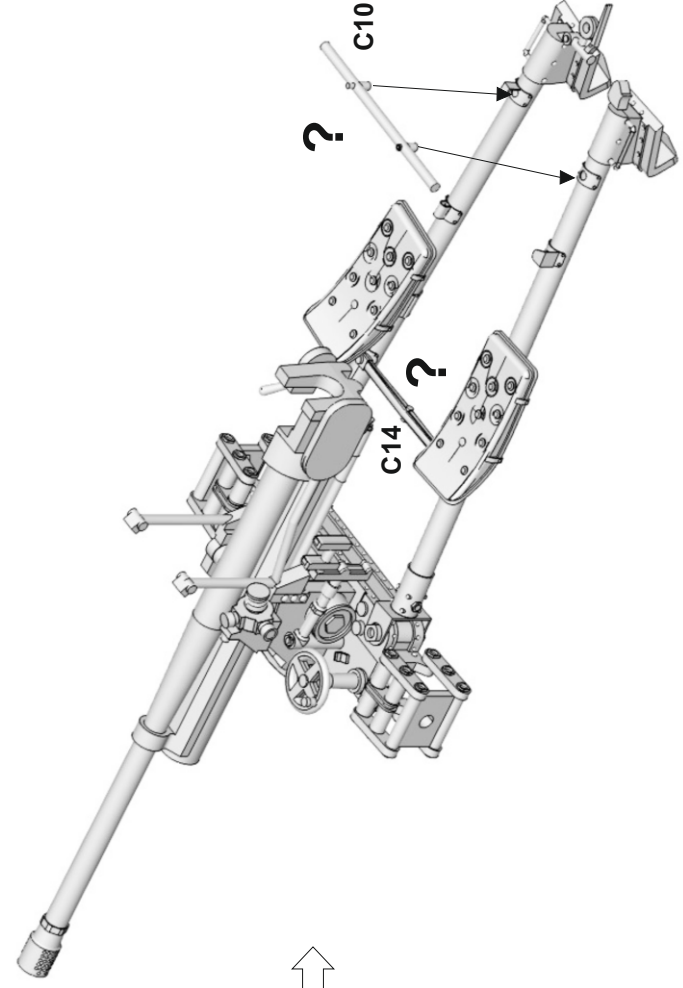
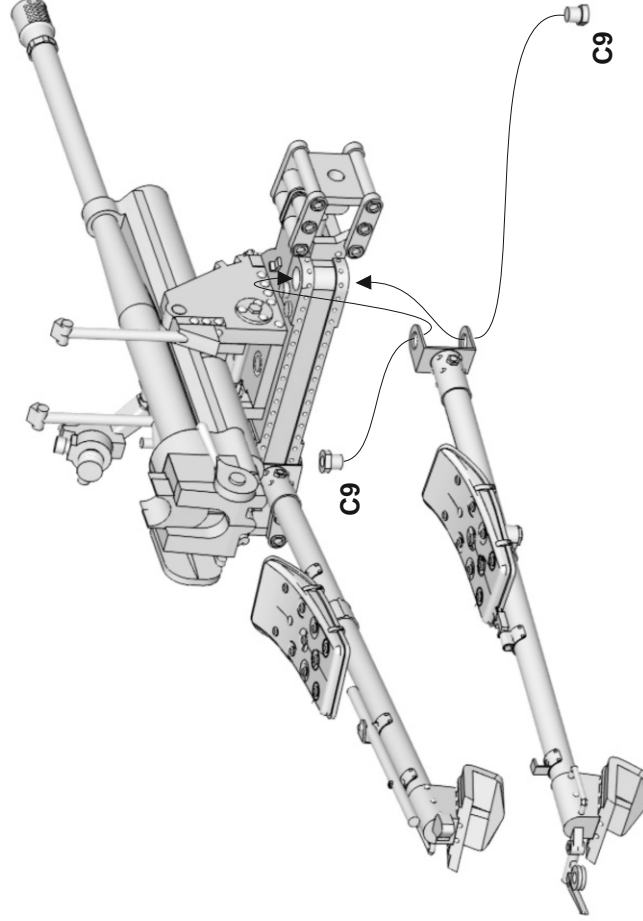
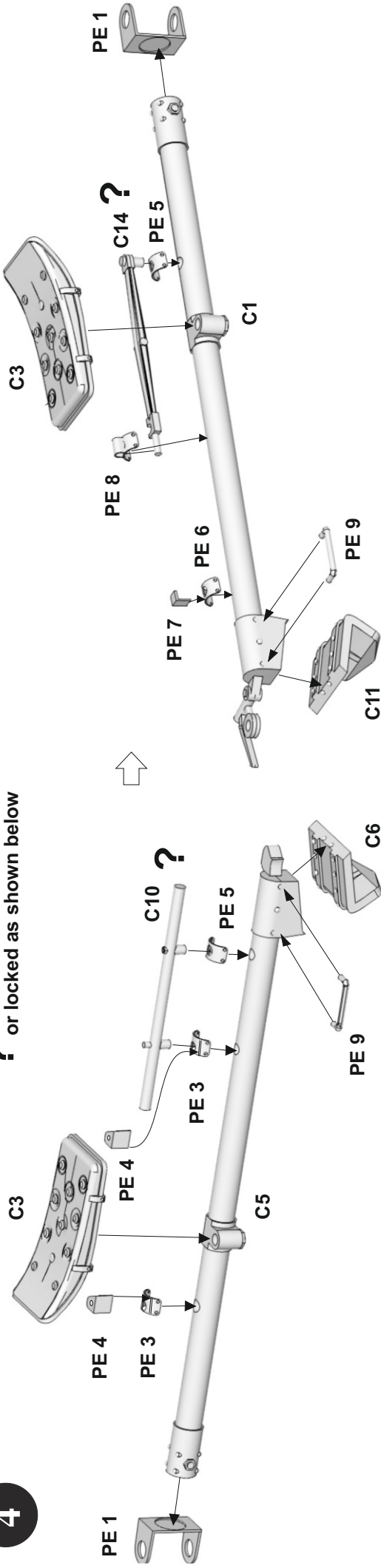


3



4

? parts C10 and C14 can assemble stored as shown here
or locked as shown below



5

