

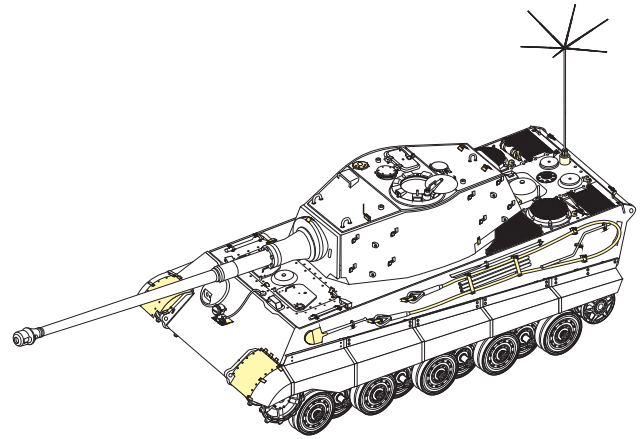
1/35 MILITARY MINIATURE VEHICLE UPGRADE SERIES PE35874

## WWII German King Tiger (Hensehel Turret)

### 二战德军虎王坦克（亨舍尔炮塔）改造件

[For MENG TS-031]

#### ■ 推荐使用工具 RECOMMENDED TOOLS

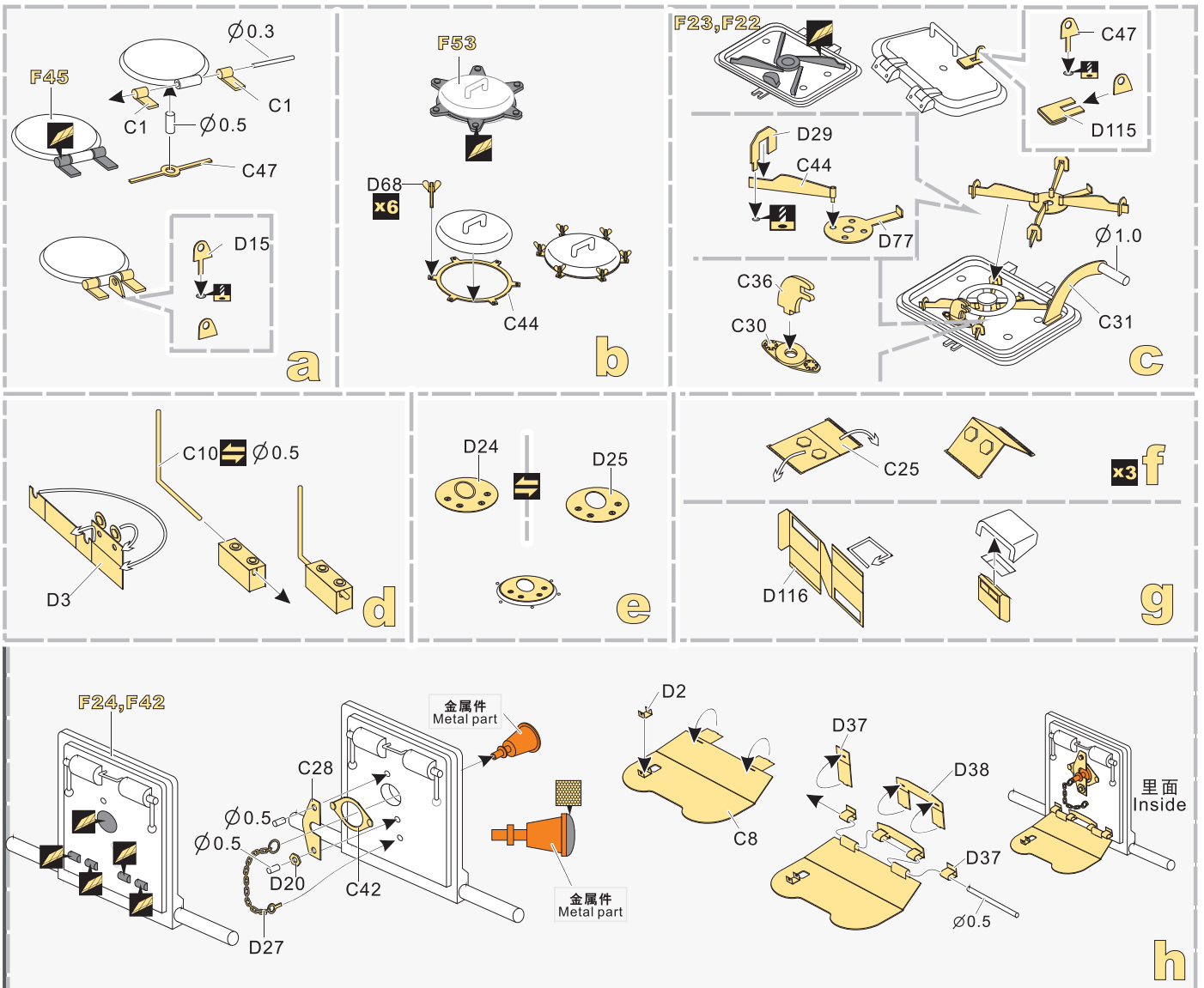


- ↑  
安装  
install
- ↩  
折叠  
bend
- A1**  
改造件零件编号  
PE/resin part number
- B12**  
原零件编号  
kit part number
- C22**  
被替换的原零件编号  
replaced kit part number
- ↻  
弧度卷曲  
radial bending
- ⚙  
钻孔  
drill
- ⚠  
注意  
caution
- ✂  
切除  
remove
- x2**  
制作若干组  
multiple assembly
- ⬇  
填补  
fill
- ⇄  
选择安装  
alternative
- ↔  
另一侧相同制作  
repeat on opposite side
- 🔪  
打磨  
grind off

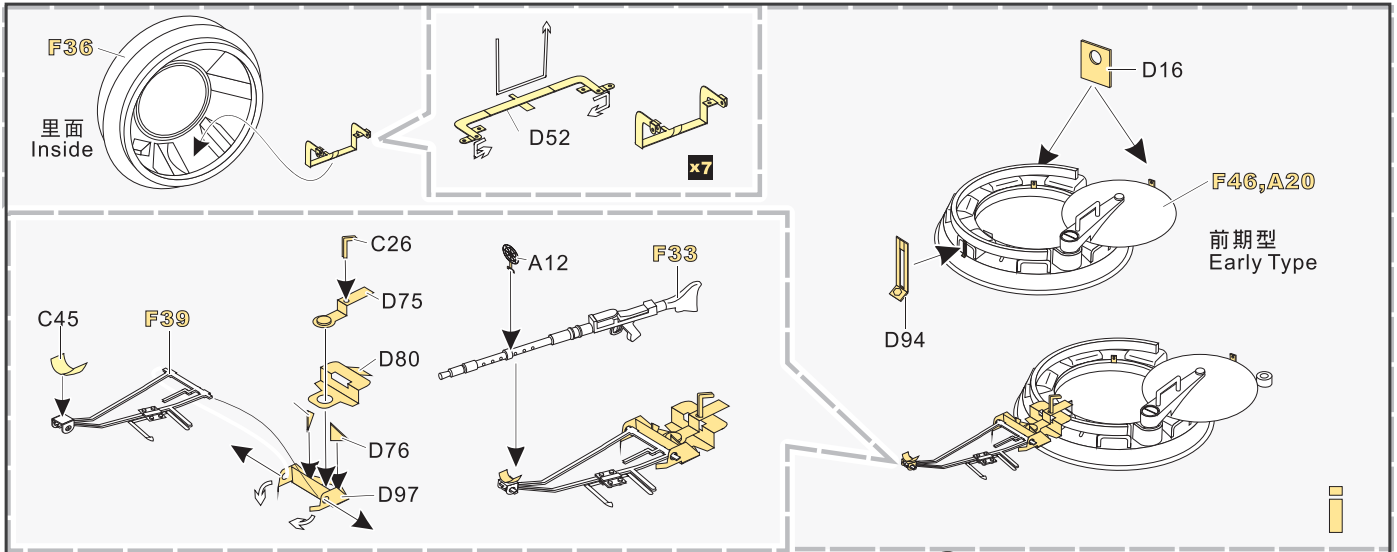
⬇  
用尖端在凹槽处冲压  
use penpoint to press on the dent

蚀刻片零件内侧面  
Put the part upside down

用笔尖在凹槽处  
Use penpoint to press on the dent



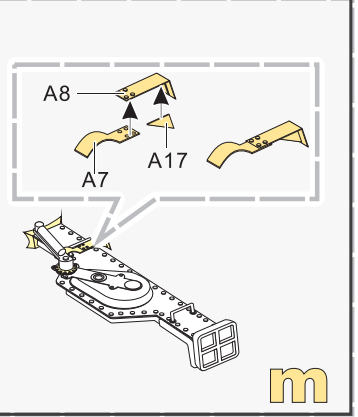
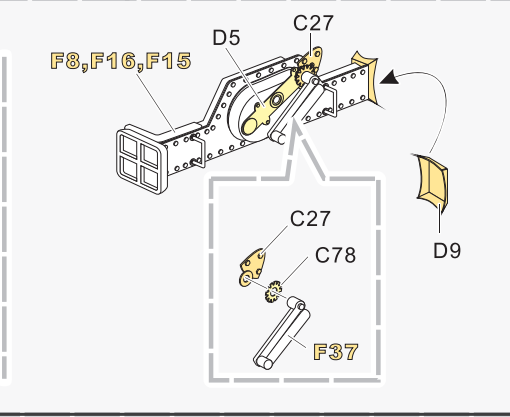
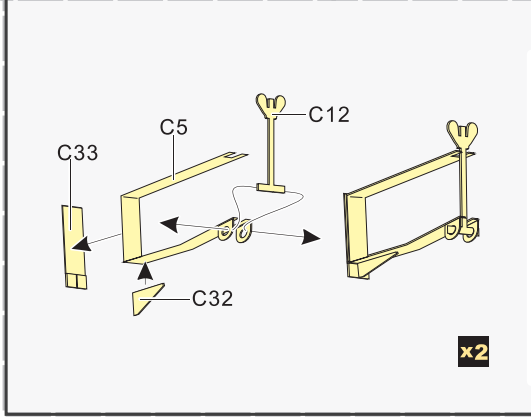
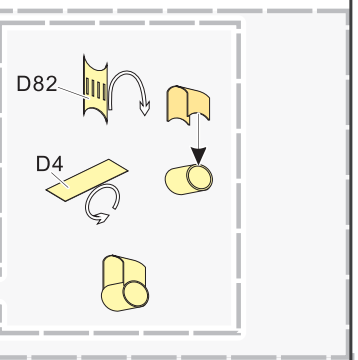
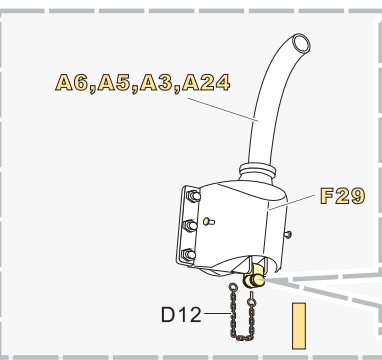
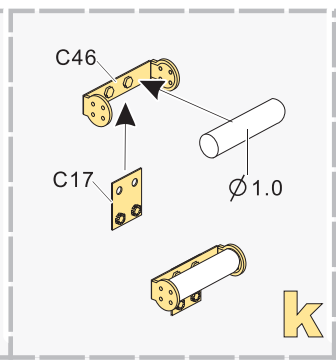
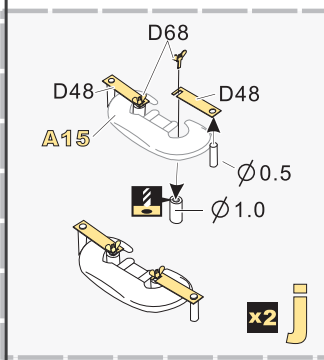
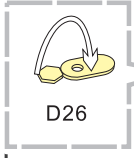
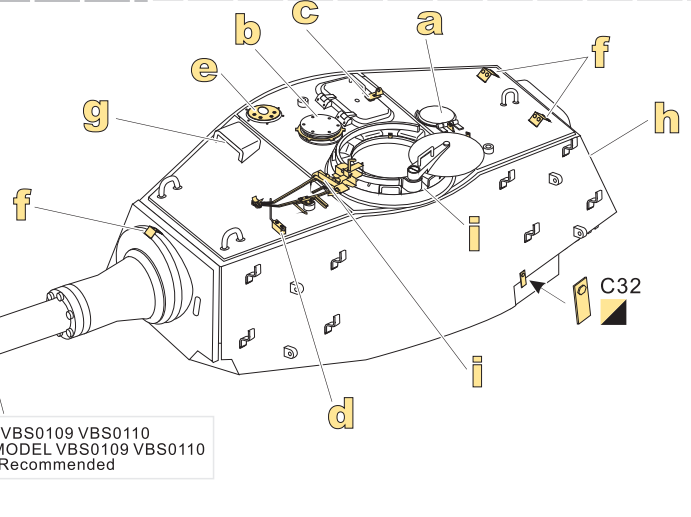
1/35 MILITARY MINIATURE VEHICLE UPGRADE SERIES PE35874



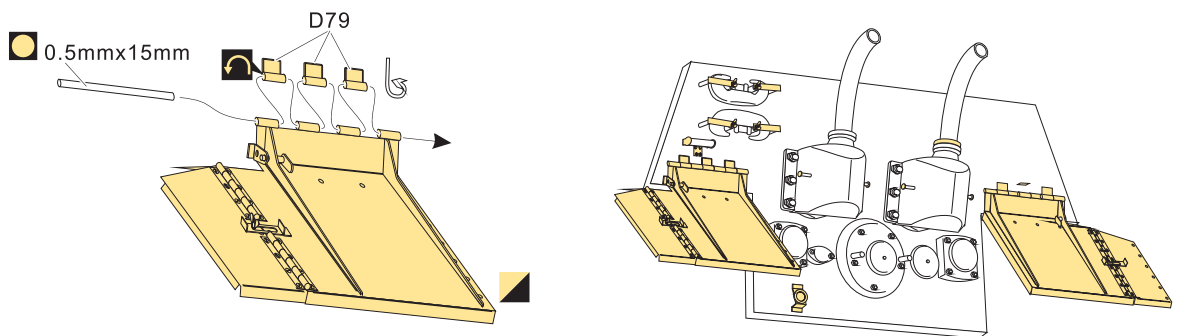
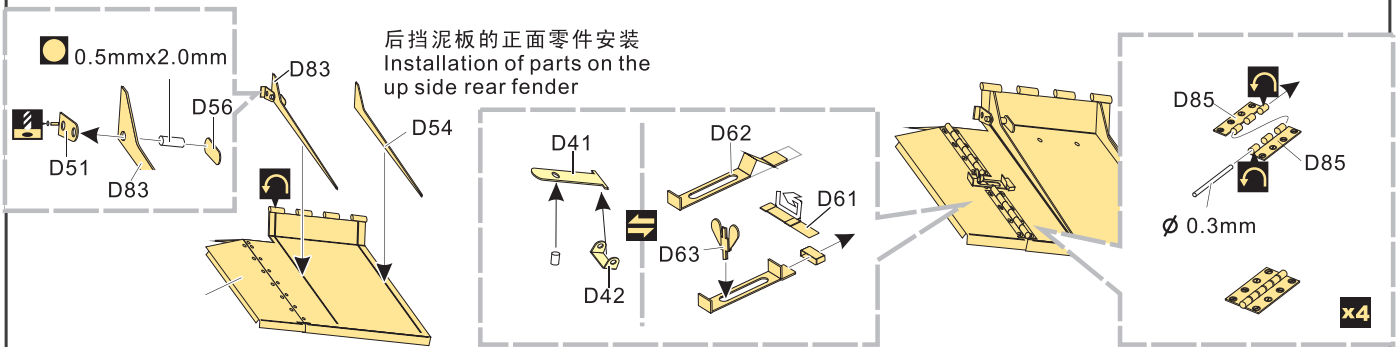
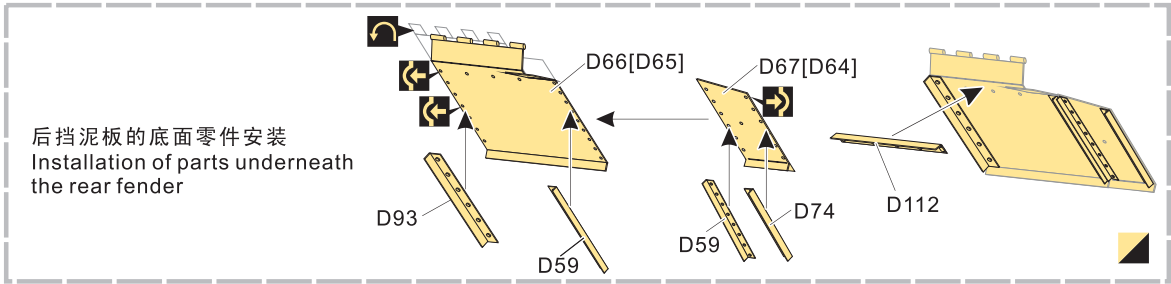
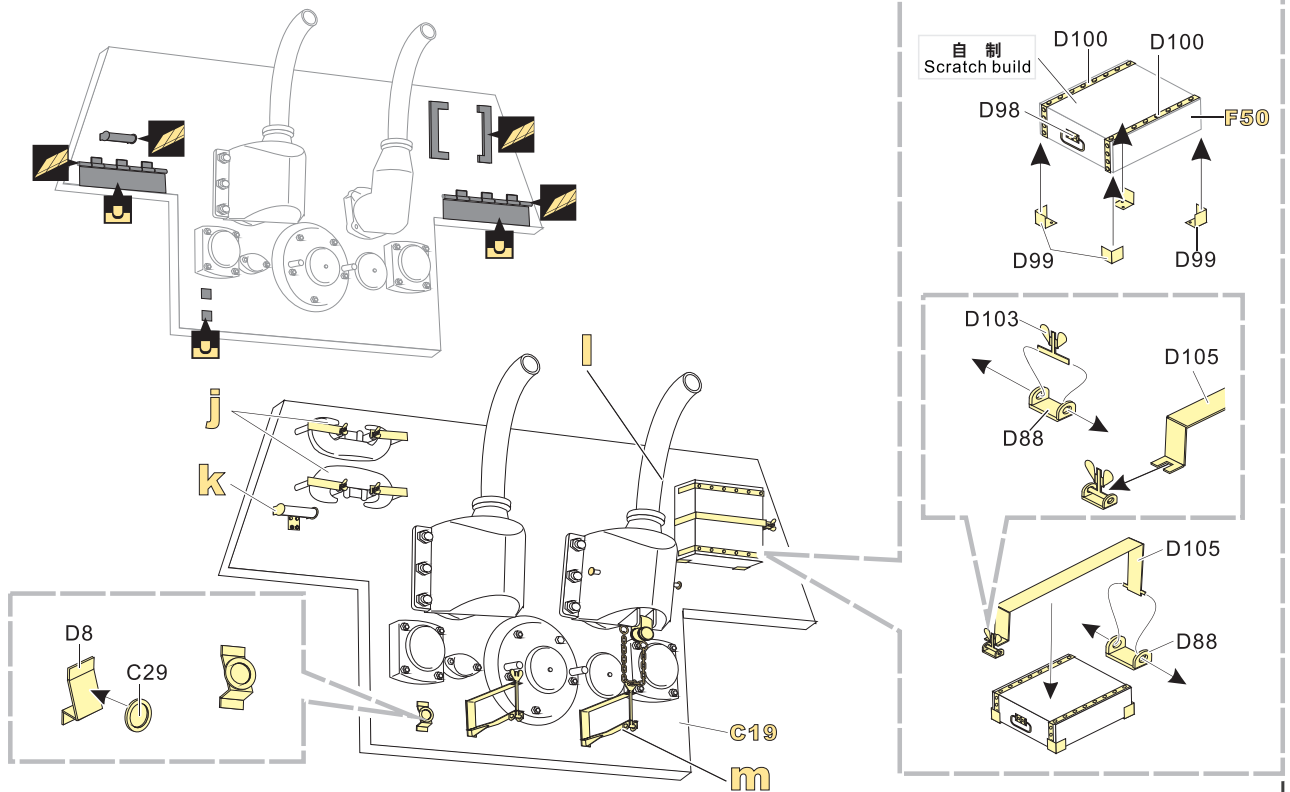
**VOYAGERMODEL**



更多PE35874样品照片参考请扫一扫  
MORE PICTUER OF PE 35874  
REFERENCE SCAN HERE

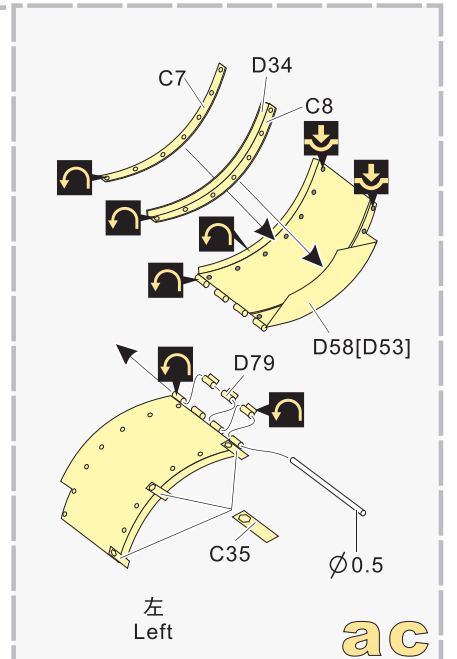
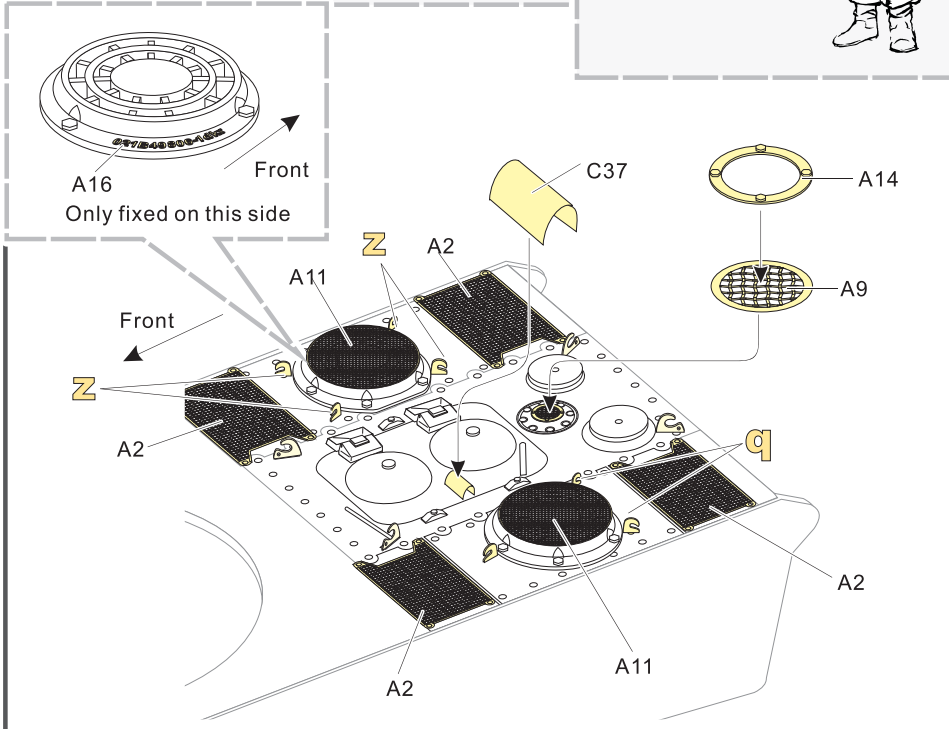
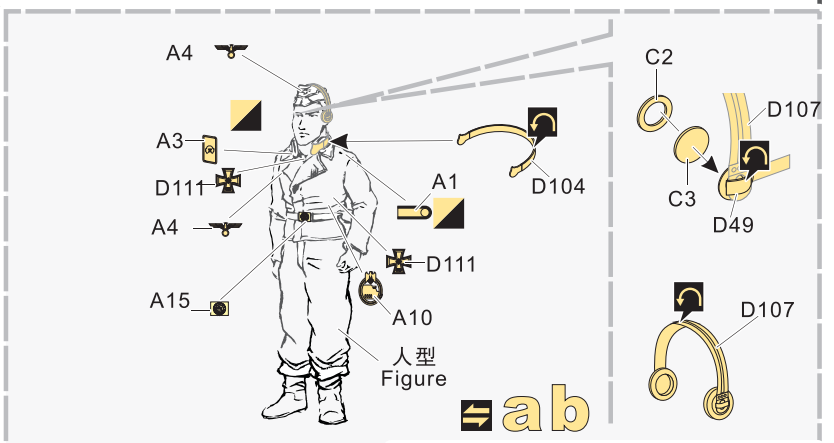
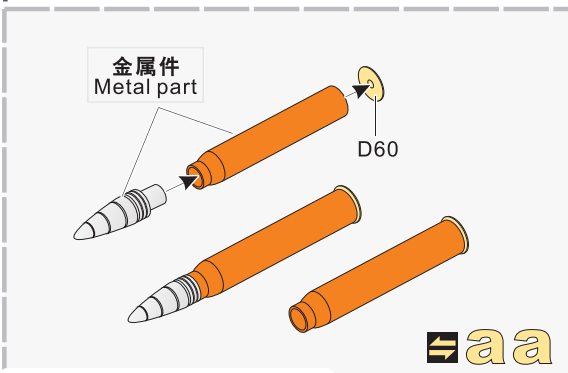
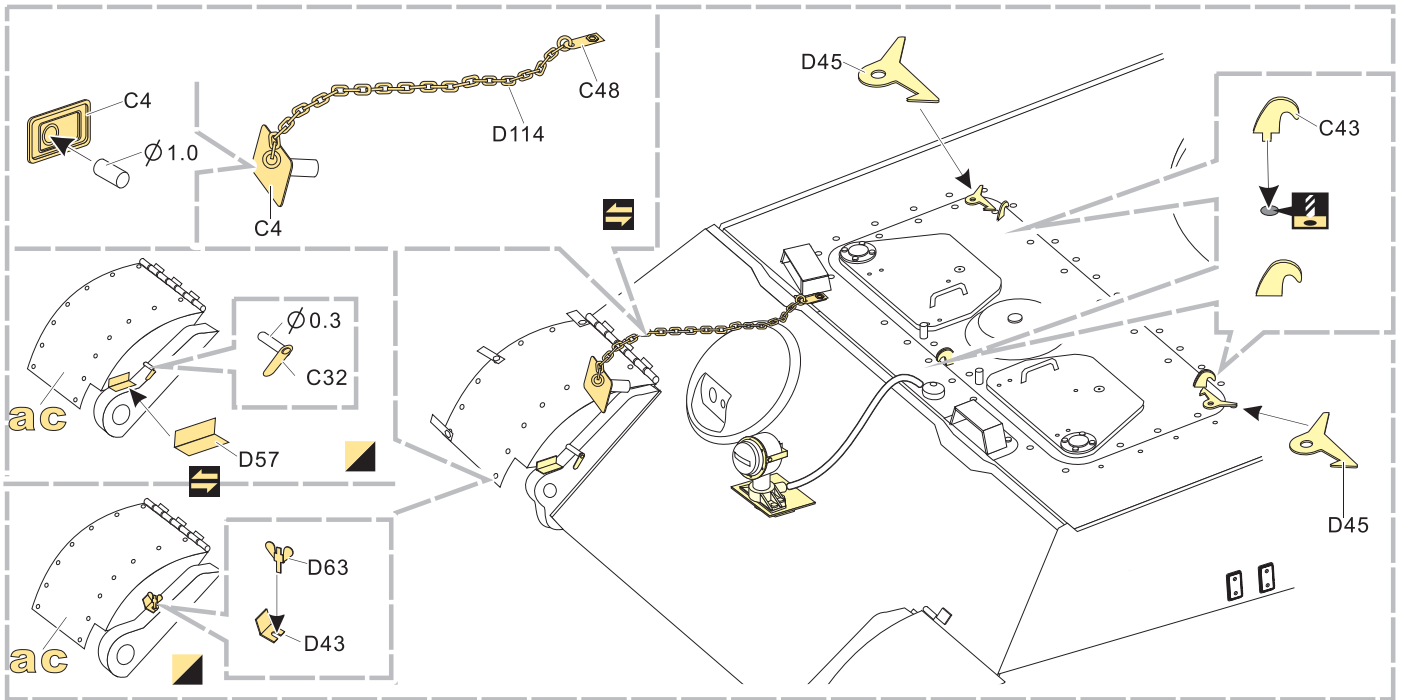


1/35 MILITARY MINIATURE VEHICLE UPGRADE SERIES PE35874

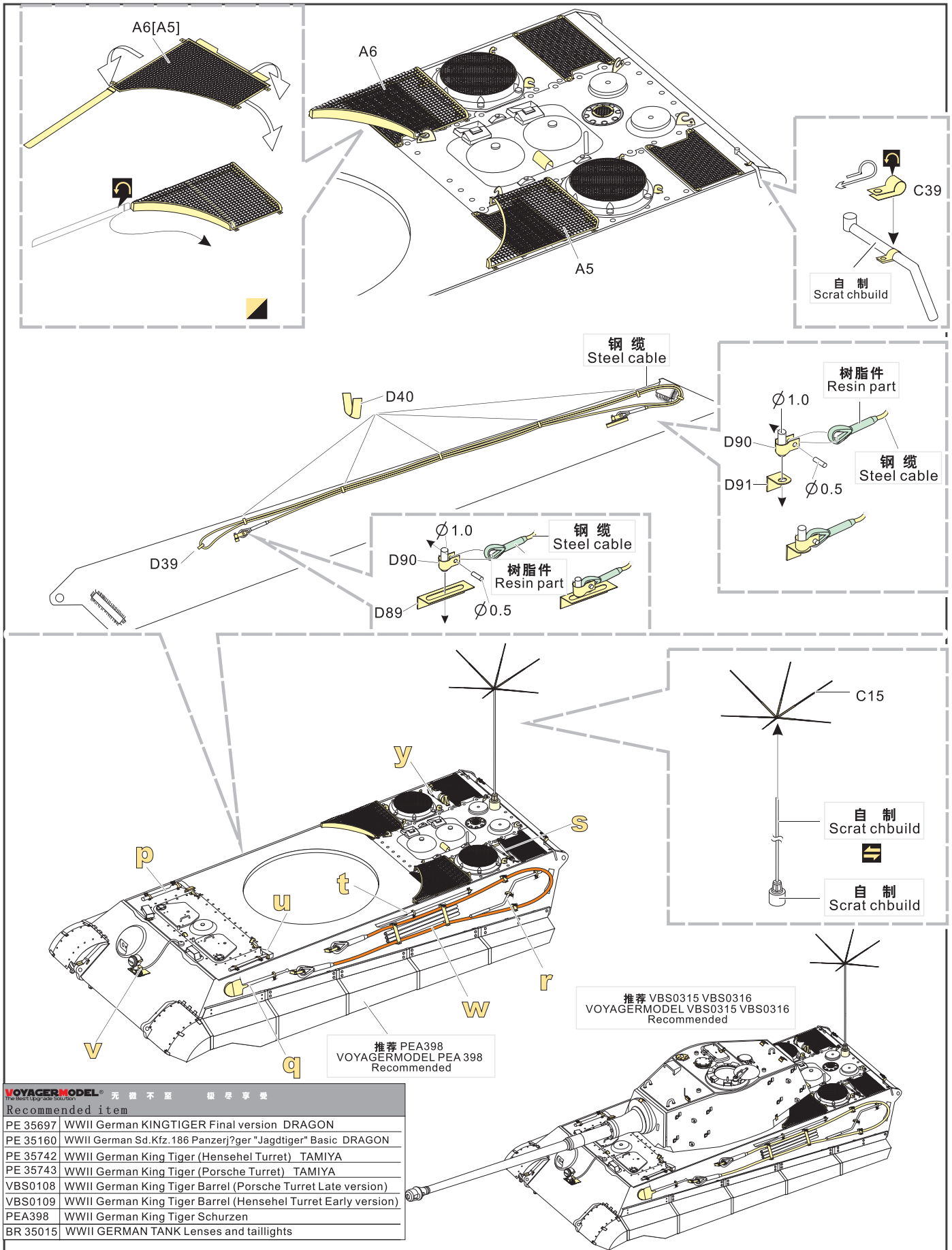




1/35 MILITARY MINIATURE VEHICLE UPGRADE SERIES PE35874



1/35 MILITARY MINIATURE VEHICLE UPGRADE SERIES PE35874



**VOYAGERMODEL** 无微不至 极致享受  
Recommended item

PE 35697	WWII German KINGTIGER Final version	DRAGON
PE 35160	WWII German Sd.Kfz.186 Panzerjäger "Jagdtiger" Basic	DRAGON
PE 35742	WWII German King Tiger (Hensehel Turret)	TAMIYA
PE 35743	WWII German King Tiger (Porsche Turret)	TAMIYA
VBS0108	WWII German King Tiger Barrel (Porsche Turret Late version)	
VBS0109	WWII German King Tiger Barrel (Hensehel Turret Early version)	
PEA398	WWII German King Tiger Schurzen	
BR 35015	WWII GERMAN TANK Lenses and taillights	