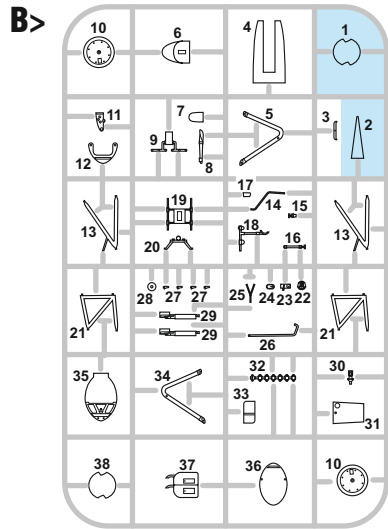
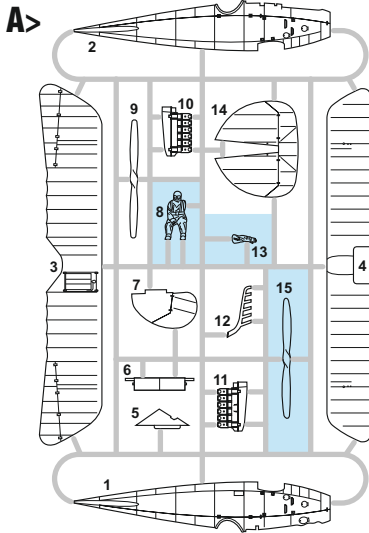


PLASTIC PARTS



GUNZE	MISSION MODELS	
H5	C5	MMM-048 BLUE
H6	C6	MMM-004 GREEN
H8	C8	MMM-005 SILVER
H11	C62	MMP-001 FLAT WHITE
H12	C33	MMP-047 FLAT BLACK
H37	C43	WOOD BROWN
H39	C67	PURPLE
H47	C41	MMP-012 RED BROWN
H51	C11	MMP-063 LIGHT GULL GRAY

GUNZE	MISSION MODELS	
H67	C115	MMP-057 LIGHT BLUE
H70	C60	MMP-056 GRAY
H327	C327	MMP-101 RED
H330	C361	MMP-077 DARK GREEN
H338	C338	MMP-116 LIGHT GRAY
METAL COLOR	METALLICS	
MC214	MMM-001	DARK IRON
MC218	MMM-003	ALUMINIUM
MC219	MMM-009	BRASS

-Parts not for use. -Teile werden nicht verwendet. -Pièces à ne pas utiliser. -Tyto díly nepoužívejte při stavbě. - 使用しない部品

ATTENTION * UPOZORNĚNÍ * ACHTUNG * ATTENTION

(GB)

Carefully read instruction sheet before assembling. When you use glue or paint, do not use near open flame and use in well ventilated room. Keep out of reach of small children. Children must not be allowed to suck any part, or pull vinyl bag over the head.

(CZ)

Před započatím stavby si pečlivě prostudujte stavební návod. Při používání barev a lepidel pracujte v dobře větrané místnosti. Lepidla ani barvy nepoužívejte v blízkosti otevřeného ohně. Model není určen malým dětem, mohlo by dojít k požití drobných dílů.

(D)

Vor dem Zusammenbau die Bauanleitung gut durchlesen. Kleber und Farben nicht in der Nähe von offenem Feuer verwenden und für eine ausreichende Belüftung sorgen. Den Bausatz von kleinen Kindern fernhalten. Vermeiden Sie, dass Kinder Bauteile in den Mund nehmen oder sich Plastiktüten über den Kopf ziehen.

(F)

lire soigneusement la fiche d'instructions avant d'assembler. Ne pas utiliser de colle ou de peinture à proximité d'une flamme nue, et aérer la pièce de temps en temps. Garder hors de portée des enfants en bas âge. Ne pas laisser les enfants mettre en bouche ou sucer les pièces, ou passer un sachet vinyl sur la tête.

INSTRUCTION SIGNS * INSTR. SYMBOLY * INSTRUKTION SINNBILDEN * SYMBOLES

(?)
OPTIONAL
VOLBA

(↶)
BEND
OHNOUT

(☼)
SAND
BROUSIT

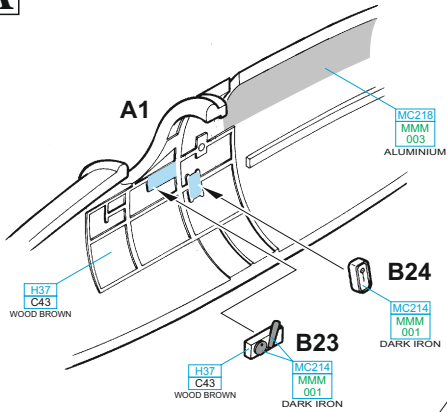
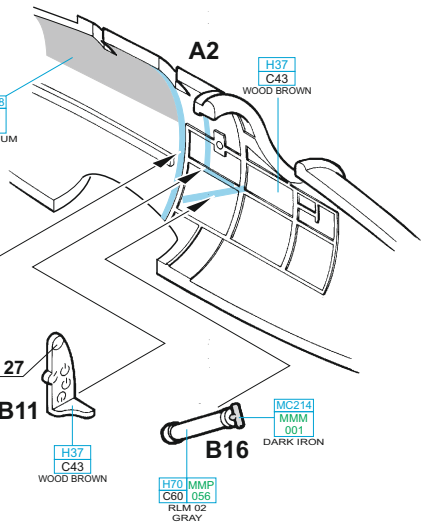
(⊘)
OPEN HOLE
VYVRTAT OTVOR

(↻)
SYMMETRICAL ASSEMBLY
SYMETRICKÁ MONTÁŽ

(✂)
REMOVE
ODRŮZNOUT

(↺)
REVERSE SIDE
OTOČIT

(★)
APPLY EDUARD MASK
AND PAINT
POUŽIT EDUARD MASK
NABARVIT

A**B****B35**

H37 C43 WOOD BROWN

B37

MC218 MMM 003 ALUMINIUM

B33

decal 27

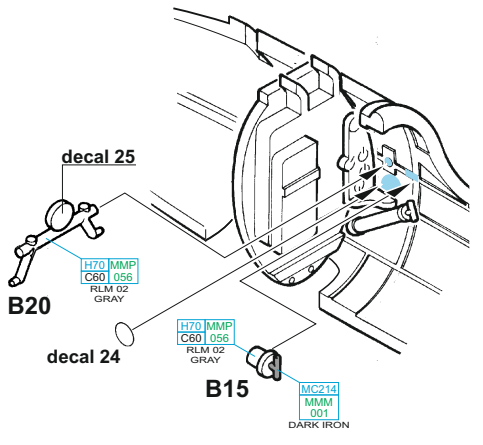
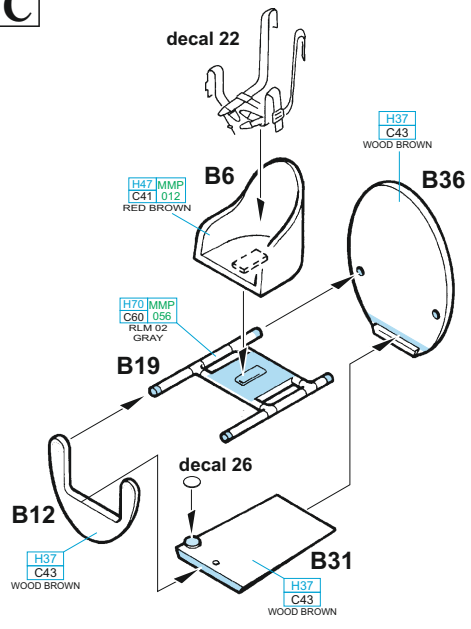
B11

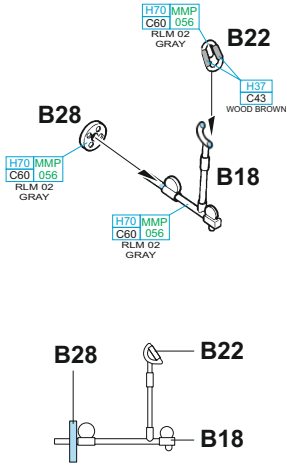
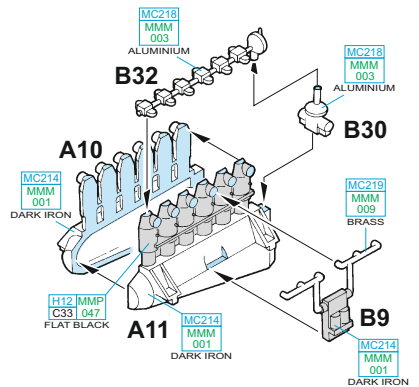
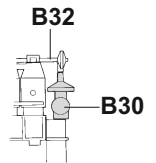
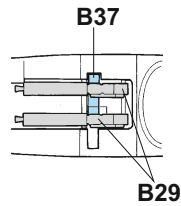
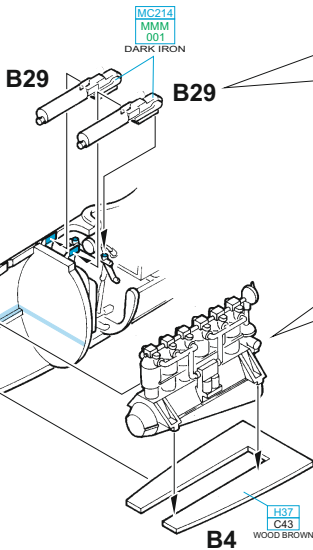
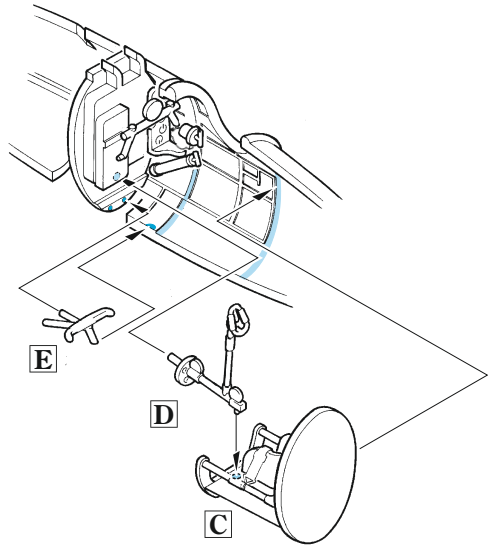
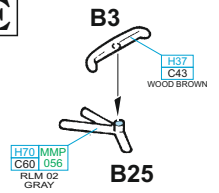
H37 C43 WOOD BROWN

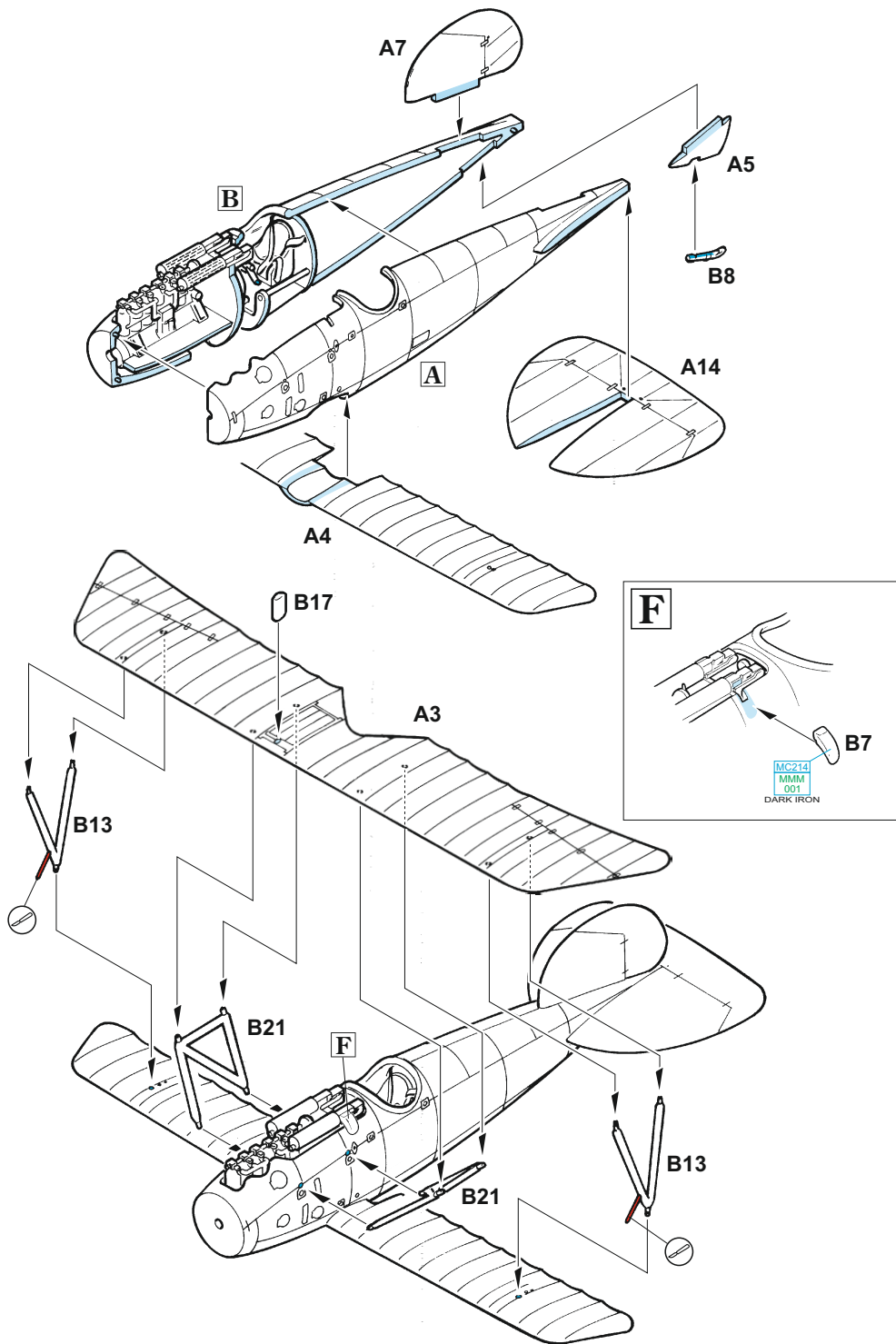
B16

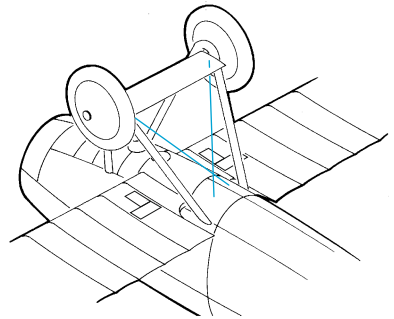
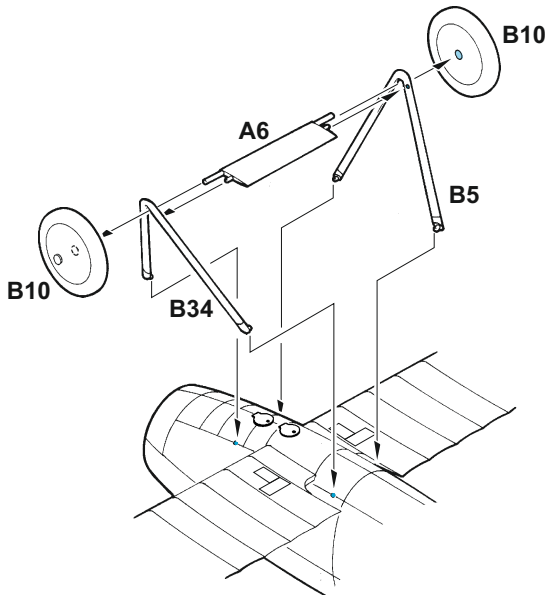
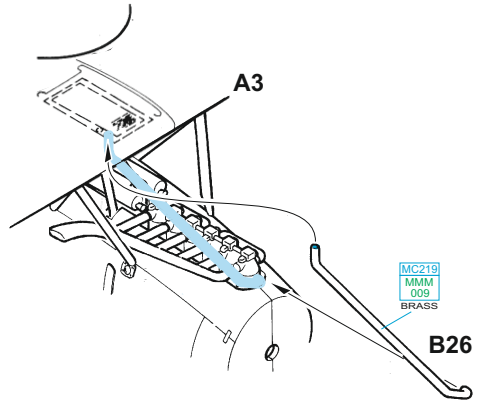
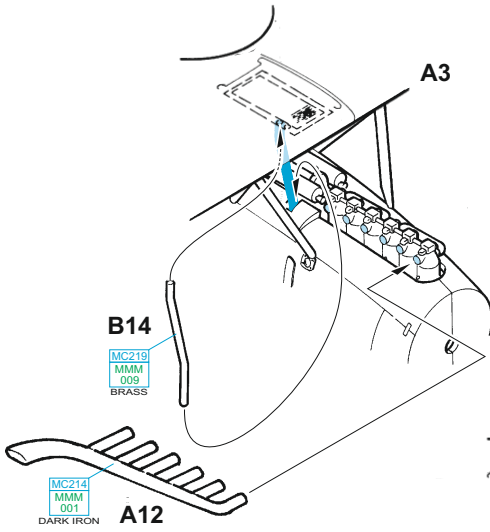
H70 MMP C60 056 RLM 02 GRAY

MC214 MMM 001 DARK IRON

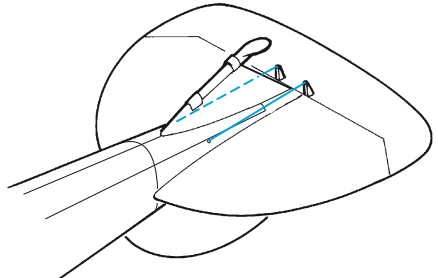
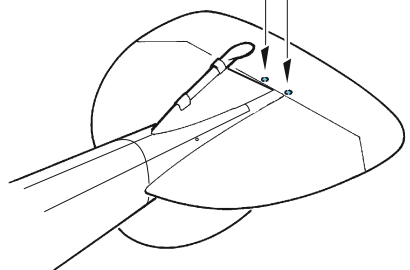
C

D**E**

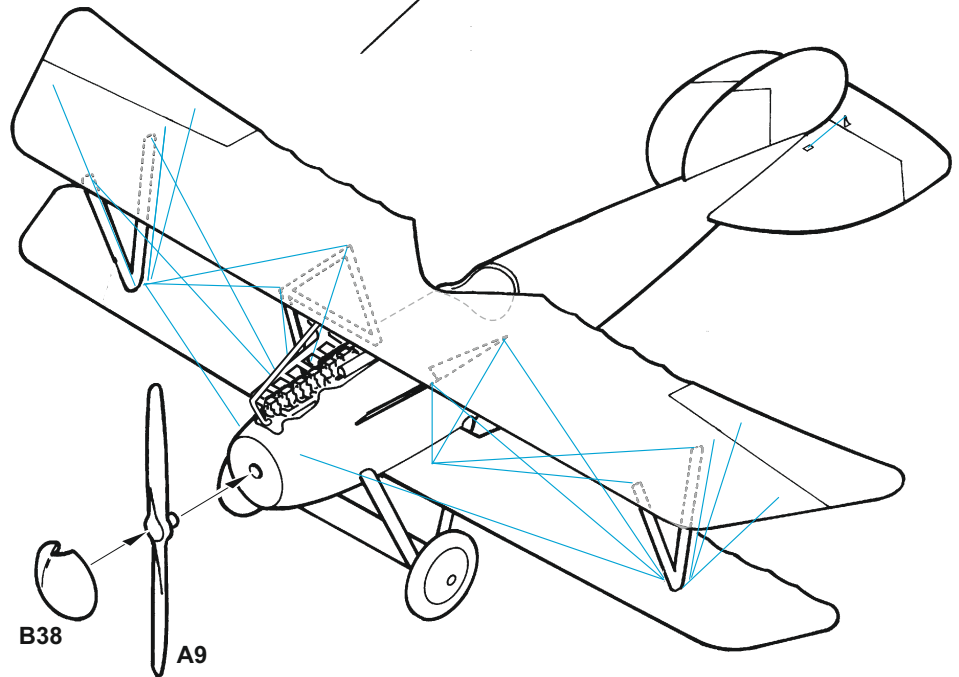
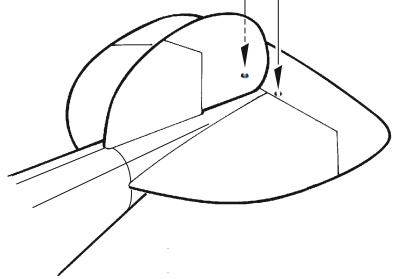




B27 H70 MMP
C60 | 056
RLM 02
GRAY ? H70 MMP
C60 | 056
RLM 02
GRAY - MARKING **B** ONLY

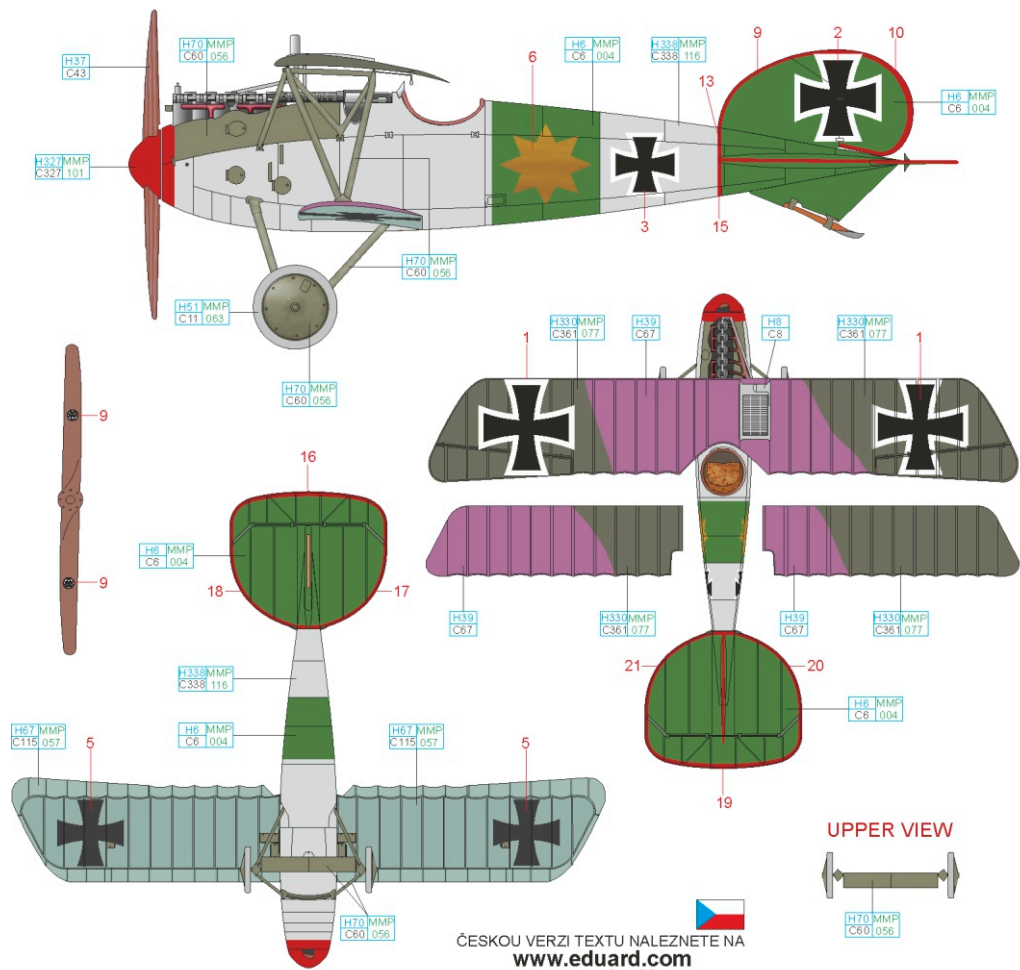


B27 H70 MMP
C60 | 056
RLM 02
GRAY **B27**



A flown by Vzfw. Richard Dilcher, Jasta 5, Boistrancourt, France, July 1917

During his year-long tenure at Jasta 5, since April 1917 Richard Dilcher shot down three enemy aircraft. Same as all aircraft belonging to this unit during this period of time his plane had the tail surfaces painted green with a thin red outline. The propeller spinner and the aircraft nose were also painted red. Pilot's personal marking was six-point star painted on the green stripe surrounding the fuselage.



GREEN	H330 MMP C361 077	GRAY	H338 MMP C338 116	GREEN	H6 MMP C6 1004	PURPLE	H39 C87
BLUE	H67 MMP C115 057	GRAY	H51 MMP C11 063	GRAY	H70 MMP C60 056	RED	H327 MMP C327 101
						WOOD BROWN	H37 C43
						SILVER	H8 C8

B flown by Lt. d. R. Josef Veltjens, Jasta 18, Bruille, France, early 1918

Having served with infantry units, at the end of 1915 Josef Veltjens volunteered for the air corps. After completing the training in May 1916, he was assigned to FA 23, since March 1917 he already flew as a fighter pilot with Jasta 14 where he claimed his first victory. He continued serving with Jasta 18 and Jasta 15 which he commanded later. His total score during the World War One was 35 kills. After the war he dedicated himself to selling the weapons, he supplied both sides of the Civil War in Spain, Italian units in Ethiopia as well as Finland during the Winter War. At the beginning of World War Two, he was invited to serve in the Luftwaffe, he acted as Göring's personal ambassador for Finland and Italy. On October 6th, 1943 he perished in the Ju 52 crash into Monte Cervellino in the Apennines.

