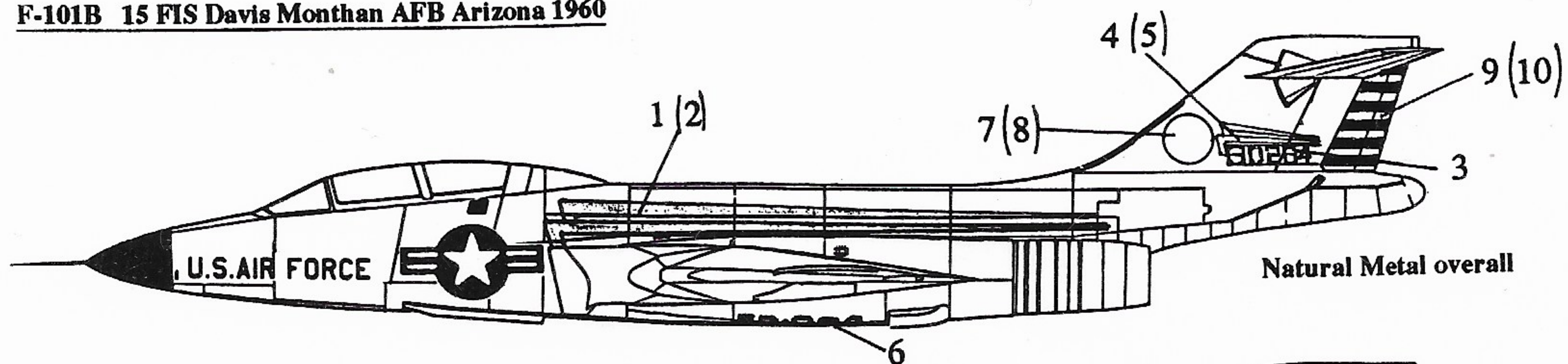
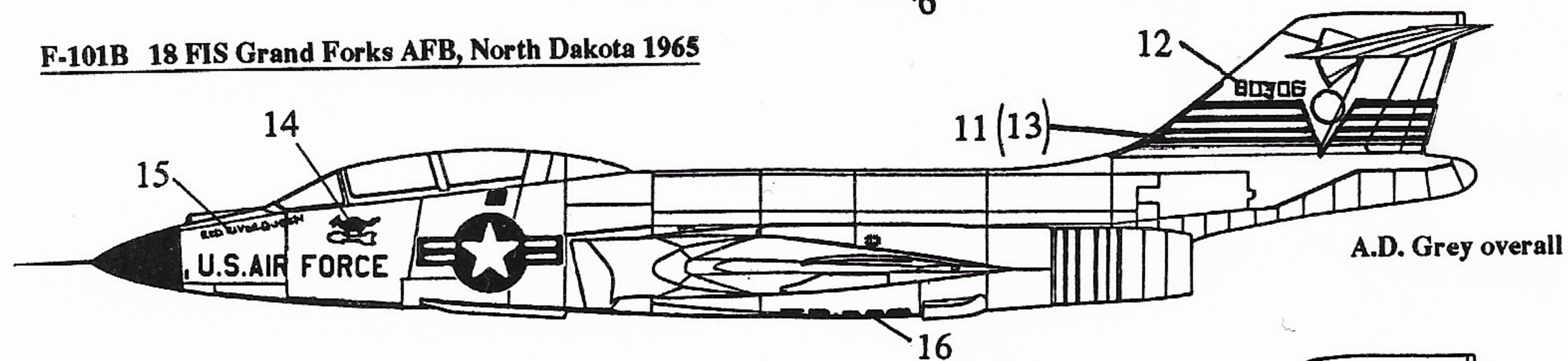


# McDonnell F-101 Voodoo Sheet

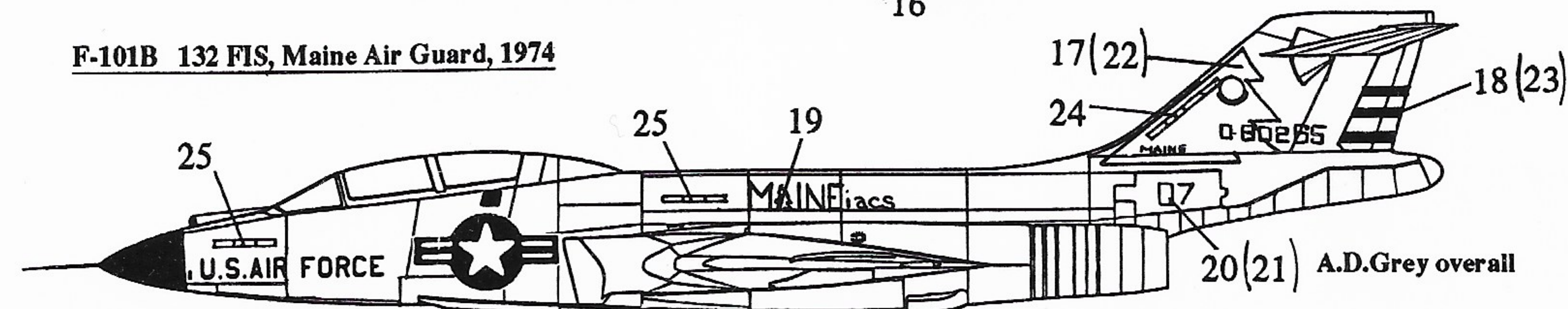
**F-101B 15 FIS Davis Monthan AFB Arizona 1960**



**F-101B 18 FIS Grand Forks AFB, North Dakota 1965**

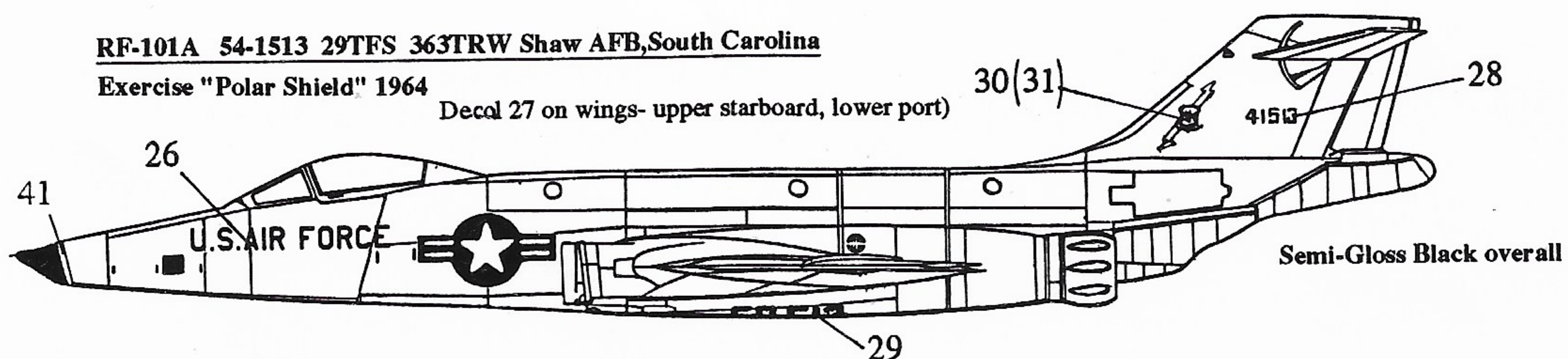


**F-101B 132 FIS, Maine Air Guard, 1974**



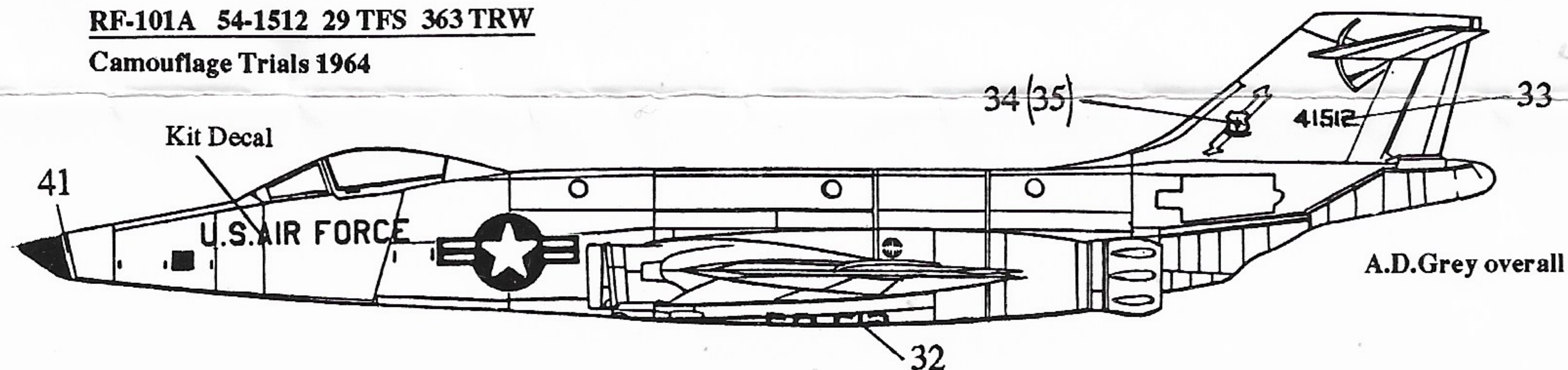
**RF-101A 54-1513 29TFS 363TRW Shaw AFB, South Carolina**

Exercise "Polar Shield" 1964

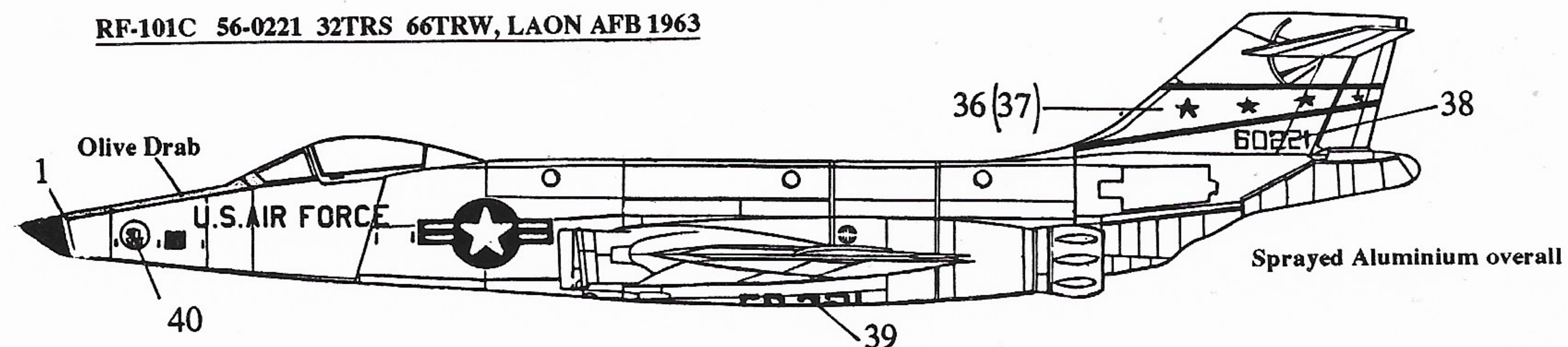


**RF-101A 54-1512 29 TFS 363 TRW**

Camouflage Trials 1964



**RF-101C 56-0221 32TRS 66TRW, LAON AFB 1963**



## McDonnell F-101 Voodoo sheet

This decal sheet can be used with any commercially available kits of the F-101 Voodoo. (Conversion parts may be required in 1/48 scale)

The 15 FIS F-101B has an overall natural metal finish, and has no I. R. sensor.

Both 18 FIS and 132 FIS aircraft have an Air Defense Grey colour scheme, with only the latter carrying formation light panels. Both aircraft have the I.R. sensors fitted.

Both 363 TRW RF-101As took part in airframe camouflage trials, when skin corrosion problems began to cause concern.

54-1513 was painted semi-gloss Black overall, with Red titling  
54-1512 was painted A.D. Grey overall, with Black titling.

Both aircraft had burnt metal panels to the rear of the exhausts.

The RF-101C was given a sprayed Aluminium finish.

Numbers in brackets are placed on the far side of the aircraft.

PRINTED IN ENGLAND By **COLOURSLIDE**  
Unit 14, Boston Road  
Gorse Hill Industrial Estate  
Beaumont Leys  
Leicester LE4 1AU  
Telephone: (0533) 365203

**SHEET 3 072003**