

MARKING

Paint your finished model if you wish and apply decals as shown below.
For realism, fine mud or thin paint of similar color can be applied to track and wheel areas.

Vehicle registration number

USA.

40 23718

Number

Stand for Half track

3A 62-4

Regiment

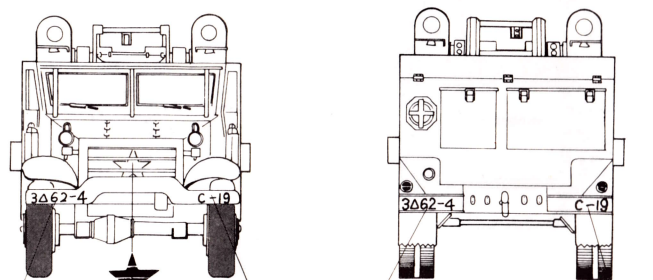
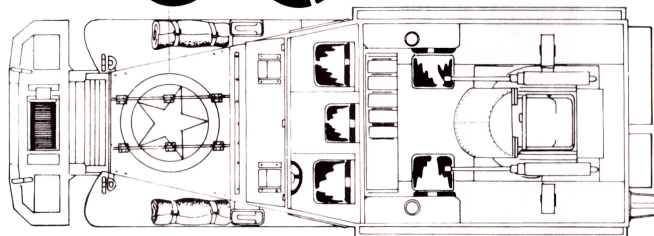
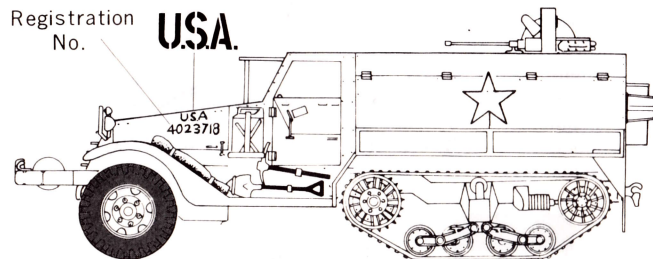
Armor

C-1 9

Vehicle number

Platoon

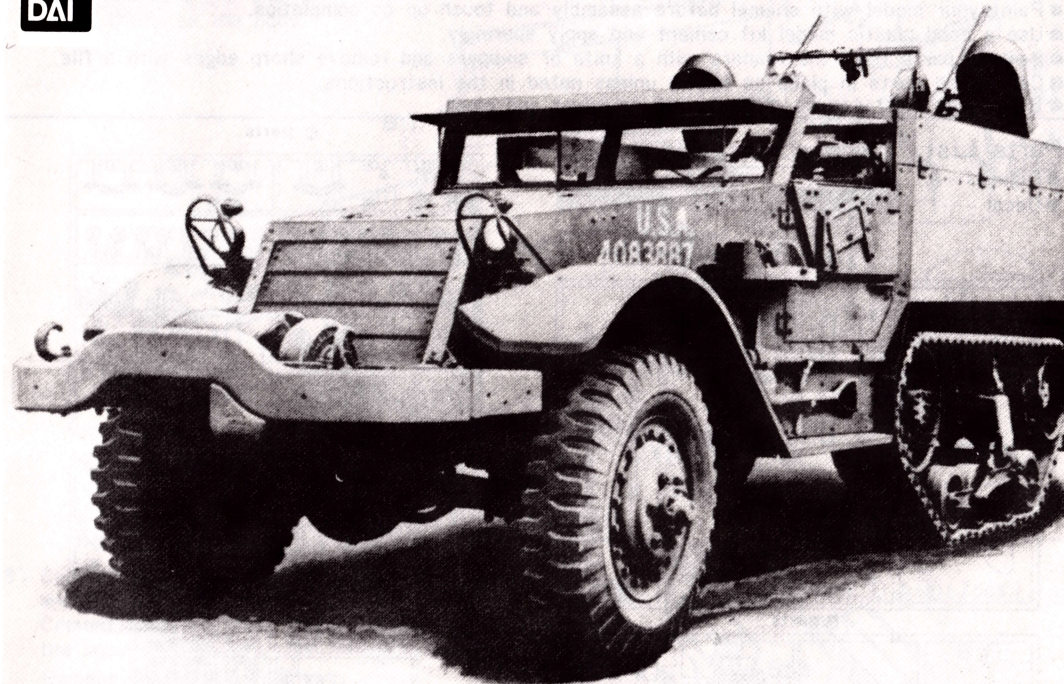
Company



3A62-4 C-19 3A62-4 C-19

Gun Motor Carriage M13 (Multiple type Gun) M13, consists of a Twin cal.50 Machine Gun Mount, M33, on a modified Half-track Personnel Carrier, M3. Standardized in 1942, it was redesignated Substitute Standard upon standardization of Multiple Gun Motor Carriage, M16. The turret has a traverse of 360° and may be elevated from -10° to +90°, except in front where depression is limited to +5° because of the projection of the cab. The Guns may be elevated and traversed at infinitely variable speeds ranging from 0°→60° per second. Each M.G. will fire 400~500 rounds per minute, and maximum range of 7,200 yards. Standard ammunition feed boxes of 200 rounds capacity each are provided. Provision is made for carrying a cal.45 submachine gun, a cal.30 rifle and three cal.30 carbines. The crew consists of a gunner, two loaders, a driver and the commander. The vehicles are manufactured by the Auto car Co., the Diamond T Motor Co. and the White Motor Co.

**BAN
DAI**



**1/48 SCALE WW II
U.S ARMORED DIVISION**

U.S. Gun Motor Carriage M13

The special features of the kit

1. This is an accurate 1/48 scale model of the U.S. Gun Motor carriage M13.
2. This is the first mini model series that has detailed interior with engine cockpit.
3. Complete instructions are enclosed for assembling the model kit. Also included is the historical summary on this vehicle.



BANDAI CO.,LTD.

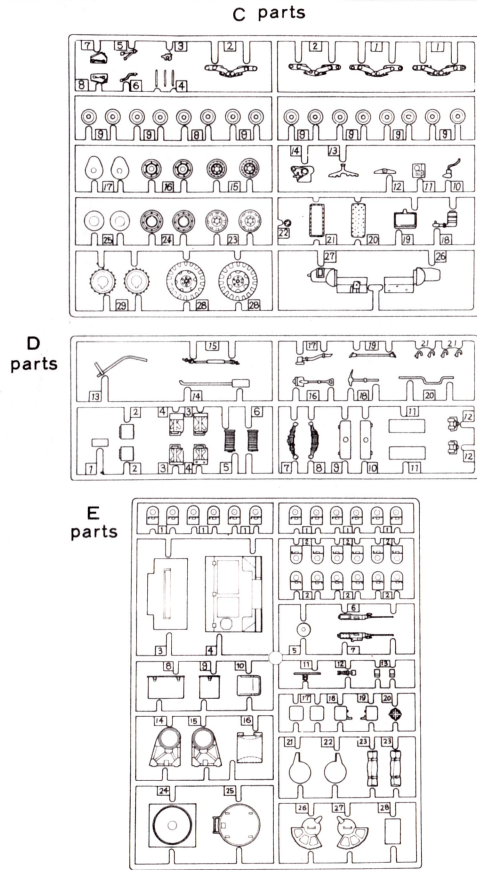
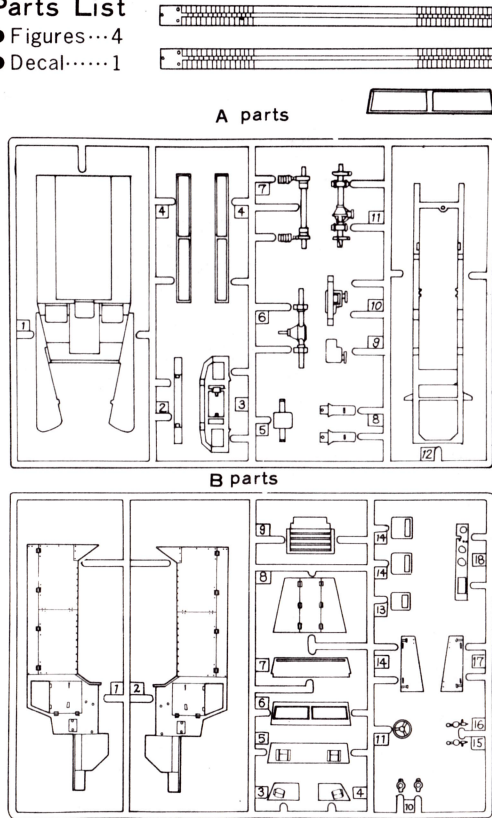
2-5-4, KOMAGATA, TAITO-KU, TOKYO, JAPAN

IMPORTANT

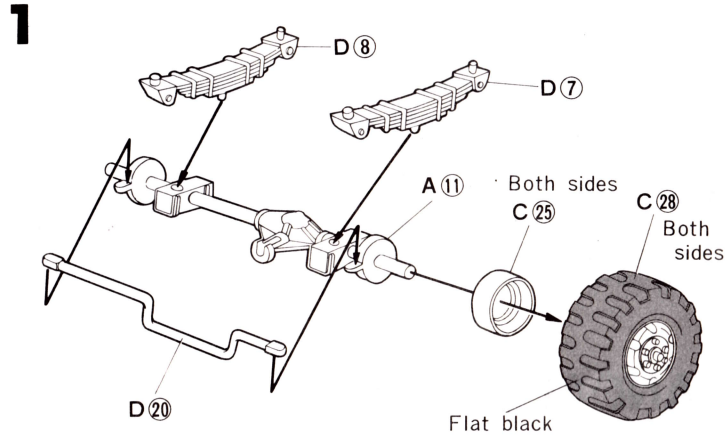
- Paint your model with enamel before assembly and touch up on completion.
- Use a good plastic model kit cement and apply sparingly.
- Remove parts from the runners with a knife or snippers and remove sharp edges with a file.
- Cement all parts in place as shown unless noted in the instructions.
- Black iron color can be made by mixing silver and black.

Parts List

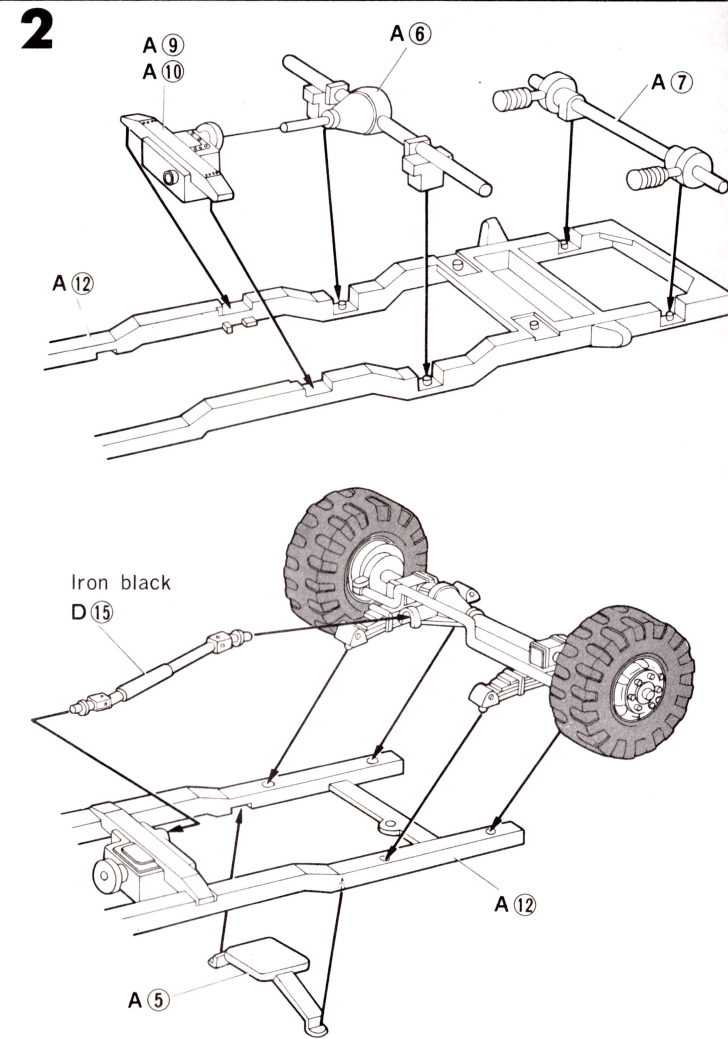
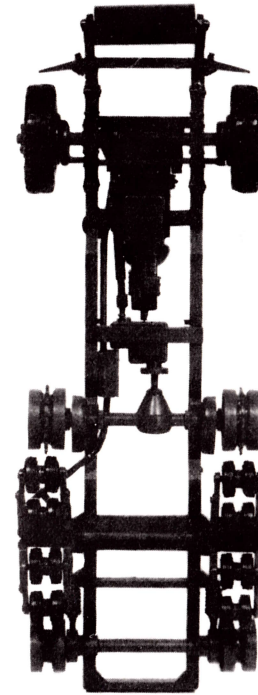
- Figures...4
- Decal...1



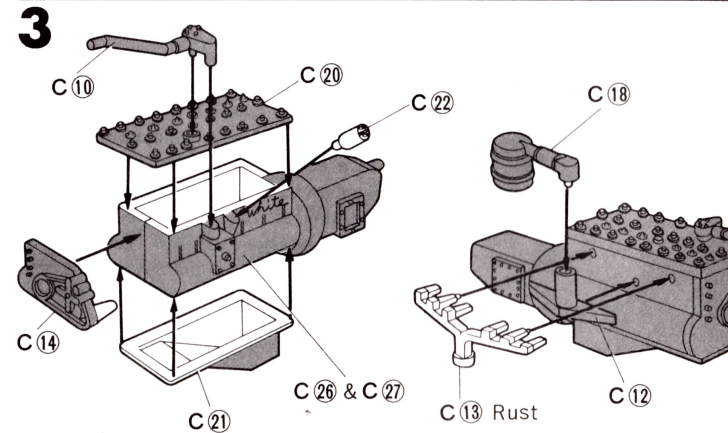
- 1) Cement leaf springs D(7,8) to front wheel transmission axle A(11). Cement brake drums C(25) to wheels and steering rod D(20) in place.



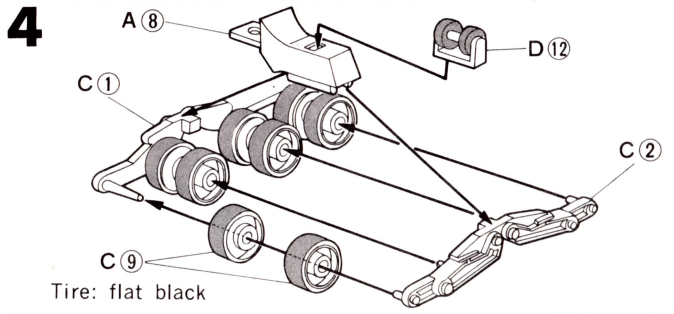
- 2) Cement transmission and differential together A(6,9) and rear axle to the chassis. Cement drive shaft D(15) to the front wheel and transmission and front wheels, and A(5) to the chassis.



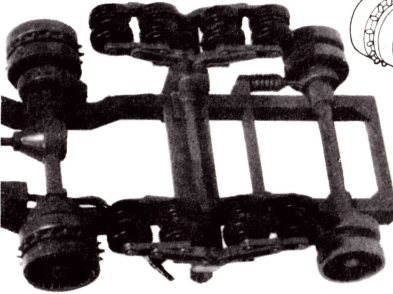
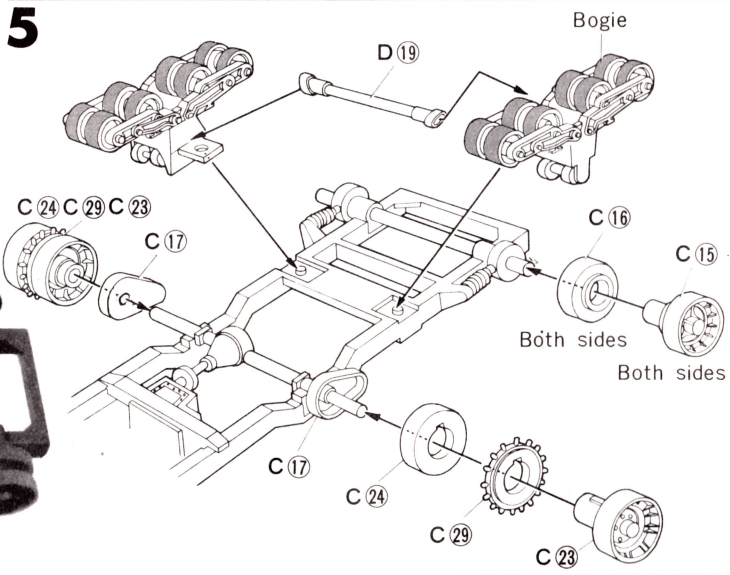
- 3) Cement engine block C(26,27) together and other parts in place. engine...Iron black



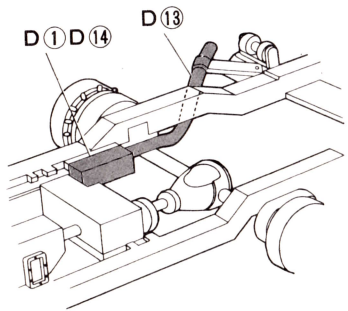
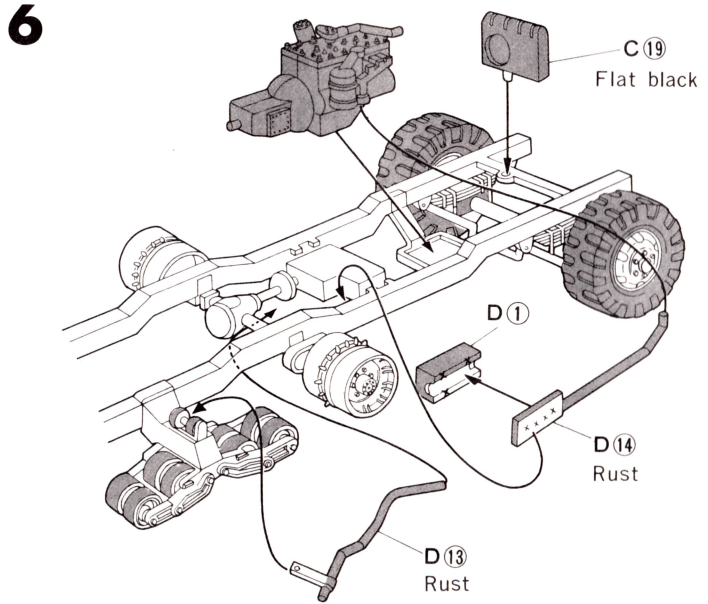
4) Make up two sets of bogies, as shown.



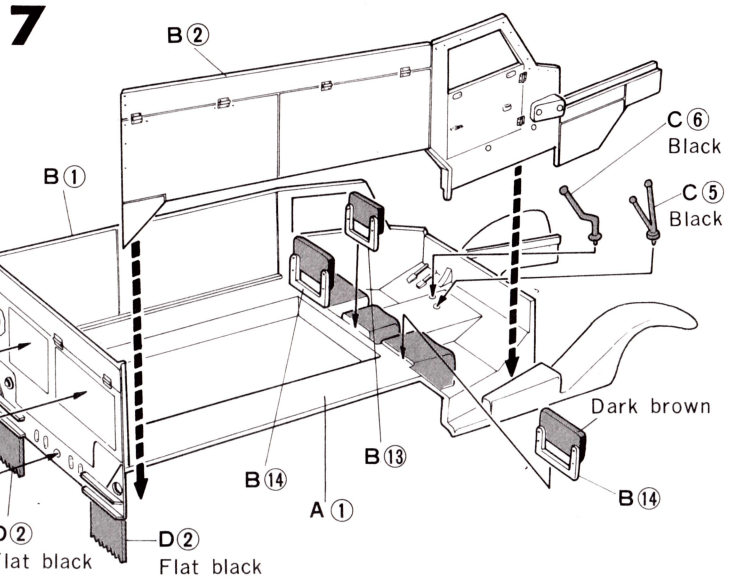
5) Cement C (17) both sides and drive wheels, and idler wheels together and to the chassis. Cement bogies to the chassis with D (19) between.



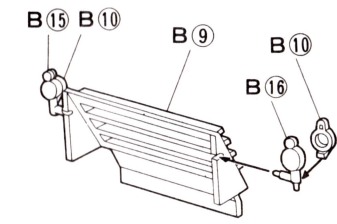
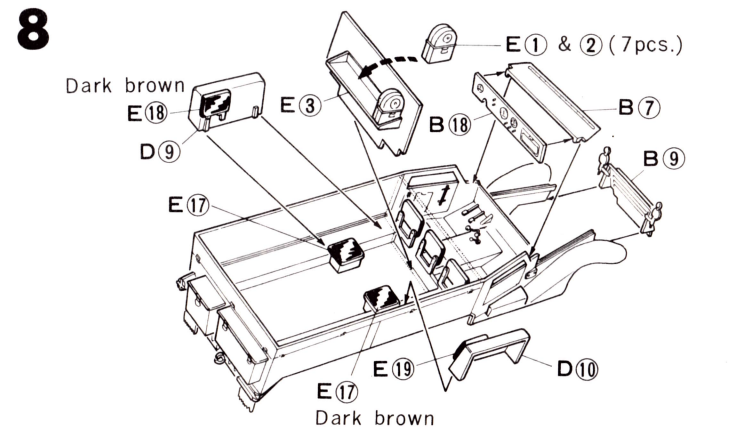
6) Cement radiator C (19), engine and exhaust pipes to the chassis.



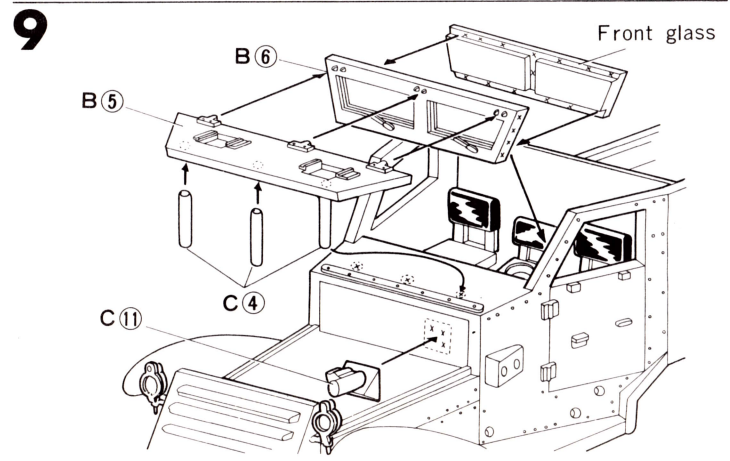
7) Cement tool box, hitch and splashguards to E (4) and all parts shown to the body.



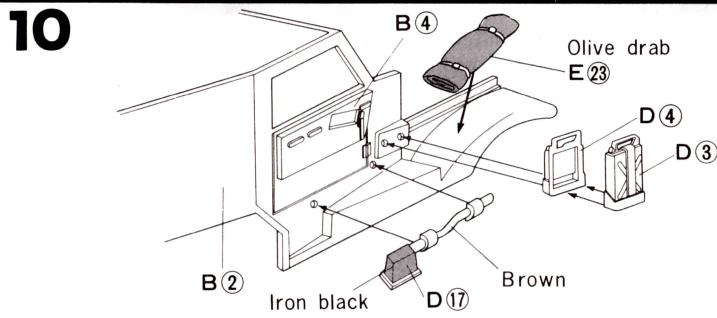
8) Cement headlamps together and the the grill (below). Cement dash and grill to the body. Cement magazine E (1) (2) to E (3), and cement E (3) to floor, cement other parts as shown.



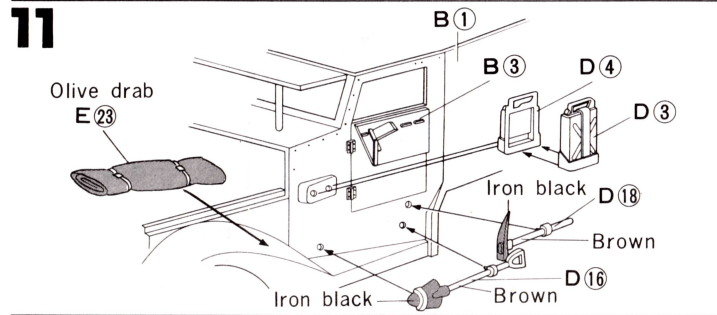
9) Cement C (4) to B (5) and window in B (6). Cement hinge tips of B (5) and B (6) to the body. Cement C (11) as shown.



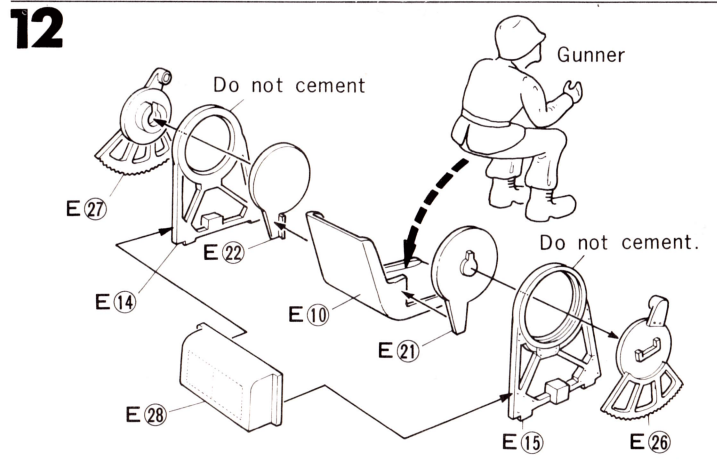
10) Cement gas tank together and all parts to the right of the body.



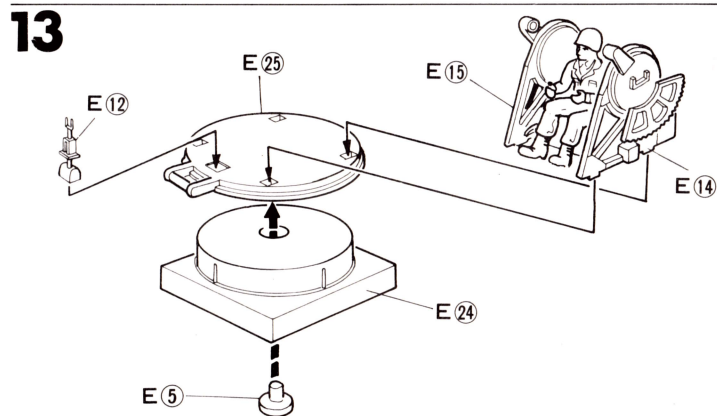
11) Cement gas tank together and all parts to the left of the body.



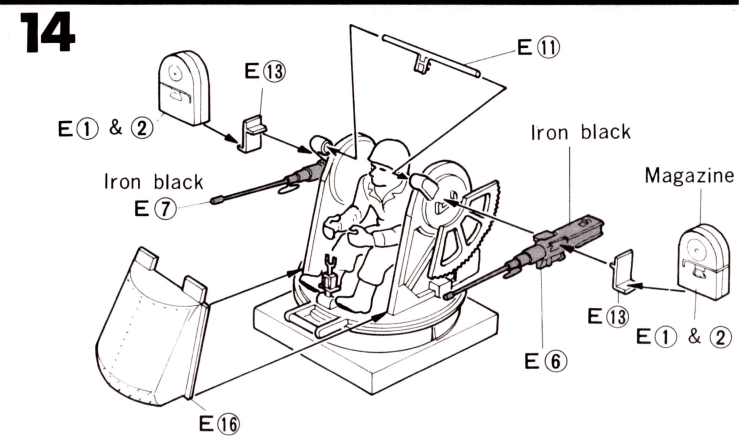
12) Assemble Machine Gun legs and seat, and cement to E 28. Assemble Gunner as shown below and place gunner on the seat.



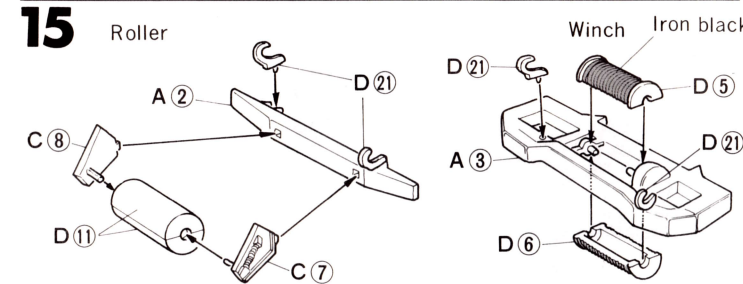
13) Cement E 12, E 15, E 14 to E 25. cement E 25 and E 5 over E 24. Do not cement E 24



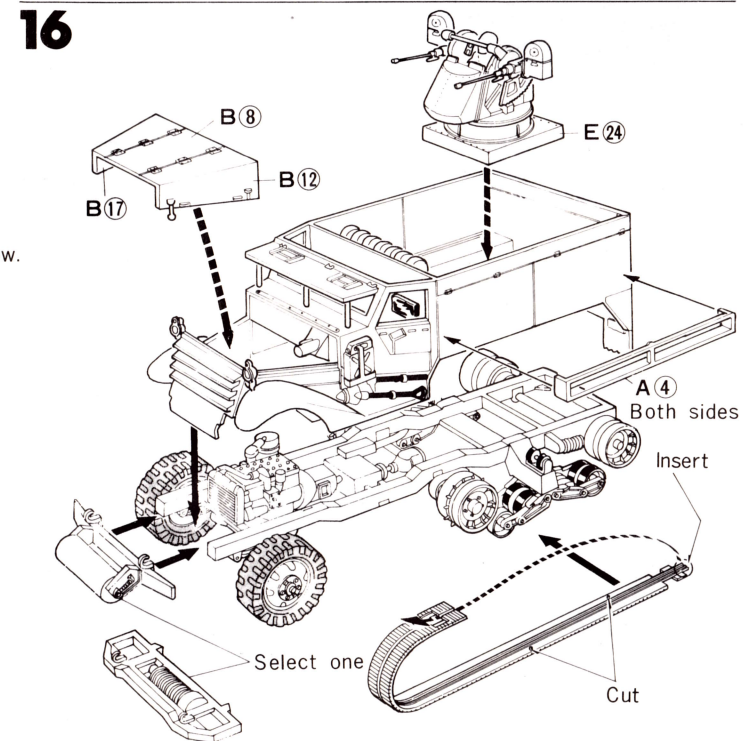
14) Cement Shield, Machine Gun Magazine and other parts together as shown.



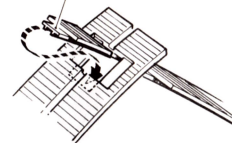
15) Cement front roller or the winch together your option.



16) Cement winch or roller to front of chassis. Assemble engine hood above and place (Do not cement) over the engine.



Assemble tracks as shown below.



Cement Anti air craft gun E 24 to floor.



1/48 SCALE BANDAI-PIN POINT SERIES

U.S. Gun Motor Carriage M13 «crew»

Assemble the crew in any pose you select.
In action the drivers hands should be adjusted
to touch the wheel **B ①**.

Extra figures are available as accessories in the
Bandai Pin Point Series ask your local dealer.

