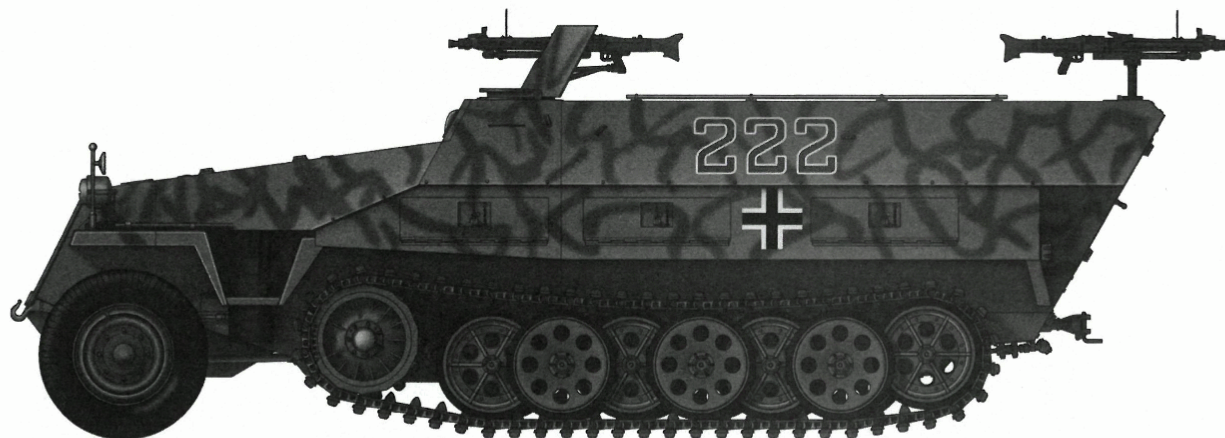


1/16 SCALE

ITEM NO.:00942



Sd.Kfz 251 D

Sd.Kfz 251 D型半履带运输车

WSM

READ BEFORE ASSEMBLY:

- This kit is not recommended for inexperienced modelers or for children under 14 years of age
- Study and understand these instructions thoroughly before beginning assembly
- When needed, remove photo-etch parts carefully using a modeling knife or photo etch sprue cutter, being careful not to damage or lose small parts.
- Take extra care in handling photo etch parts in order to avoid injury
- Apply instant cement sparingly to photo etch parts where instructed

- Tools recommended(not included in kit):Plastic and instant cements,sprue cutters,long nose pliers,modeling knife, small files, tweezers, pin vise & scissors. Soft cloth and sandpaper will also assist in construction
- Glue and paint are not included in the kit. Use plastic cement and hobby paints only. Color guide for purchasing paint is included in the kit.
- Keep out of reach of children. They must not be allowed to ingest small parts or handle plastic bags in any way.

* 说明书中含有重要信息，应保留。 Please Keep instruction since it contains important information.

装配之前仔细阅读

- 小心用模型锉刀锉平所有零件表面的注射浇口。
- 小心用刀片切下蚀刻片零件，不要遗失小零件。
- 用强力快干胶水粘合蚀刻片零件和金属轴。过量的快干胶水使用可能导致可动零件会粘住，小心涂胶。
- 取蚀刻片时应特别注意安全，防止利边划伤手指。
- 某些零件表面需贴上水贴纸，请选择在装配的同时进行。
- 推荐模型工具(自备)：胶水，水口剪刀，长咀钳，刀片，锉刀，镊子钳，钻，剪刀，瞬间快干胶。
- 软布同砂纸同时也是所需工具。
- 请使用塑料胶水和油漆，模型内不含。
- 谨防小孩吸吮塑料零件，或者将塑料袋套在头上，制作时应将套材远离小孩接触。
- 本产品不适合14岁以下没有经验的模型爱好者。

水贴纸的使用:

1. 从水贴上剪下印花;
2. 将印花放入温水中浸10秒，然后放在干净布上。
3. 拿着印花纸板将印花移到模型上;
4. 手指蘸水将印花移到适当的位置;
5. 用软布轻压印花直至水干，气泡消失。

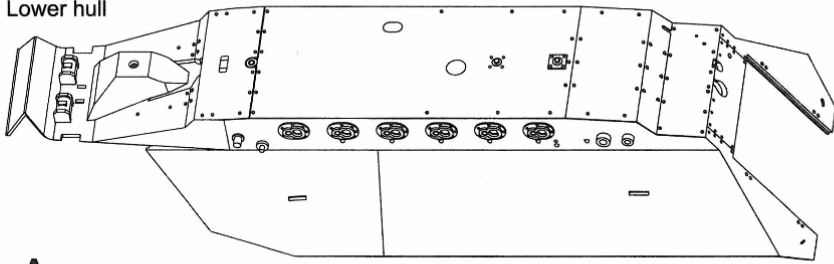
DECAL APPLICATION:

1. Cut decals from sheet as needed
2. Dip the decal in warm water for about 10 seconds and then place on soft clean cloth.
3. Hold the decal backing sheet edge and gently slide the decal onto the model in its proper position.
4. While still wet, decal can be adjusted for better fit on model by dampening it gently with your finger.
5. When placed in the proper position, gently press decal down with a soft cloth until excess water and air bubbles are gone.
6. Allow decal to dry completely before handling model

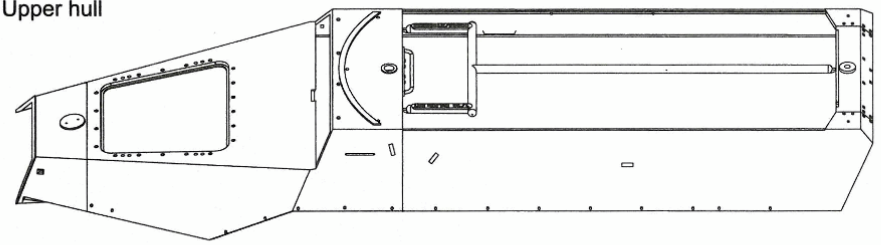


部品图
Parts

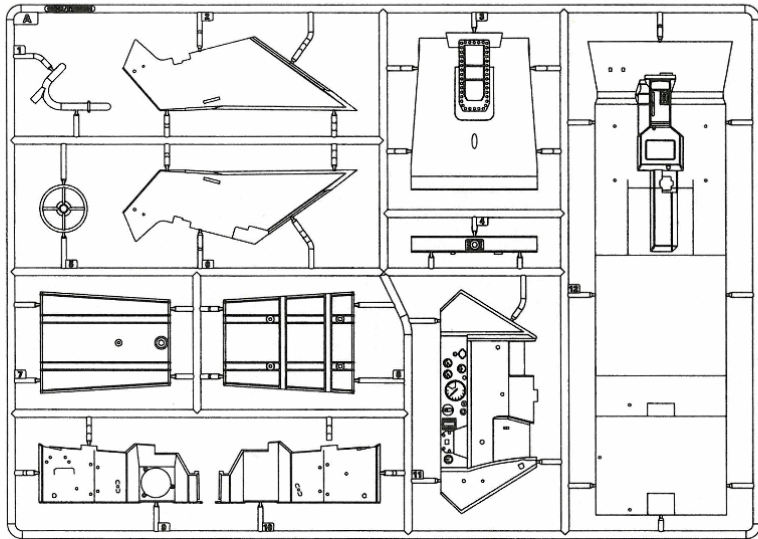
《车底》
Lower hull



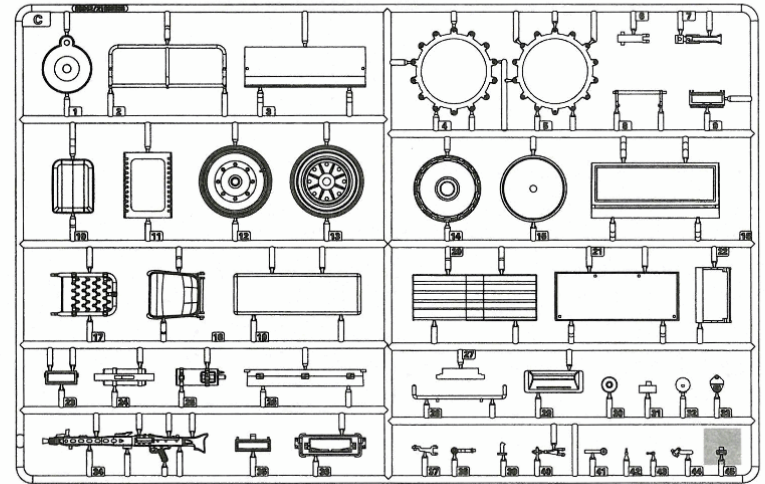
《车面》
Upper hull



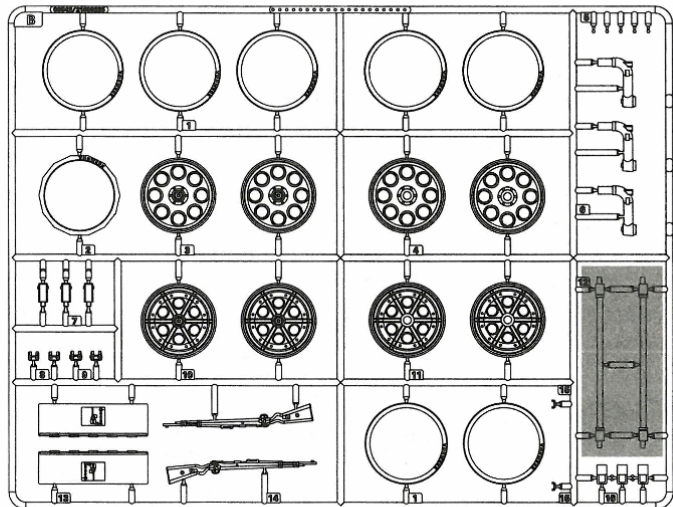
A



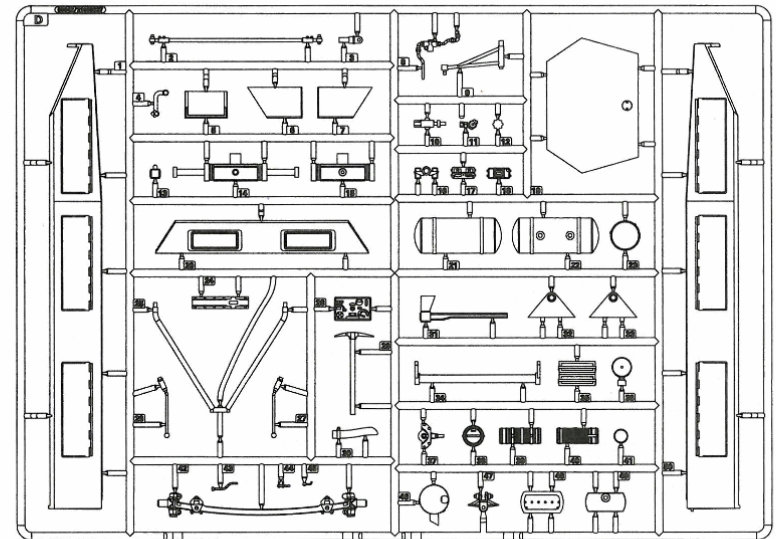
Cx2



Bx4



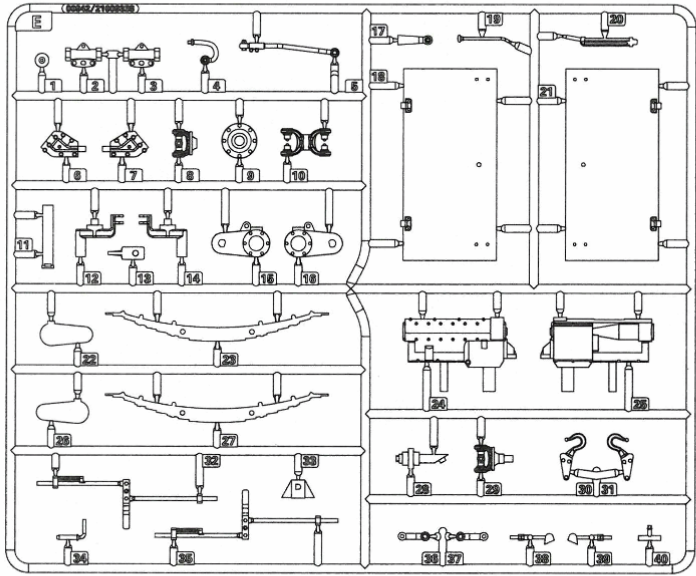
D



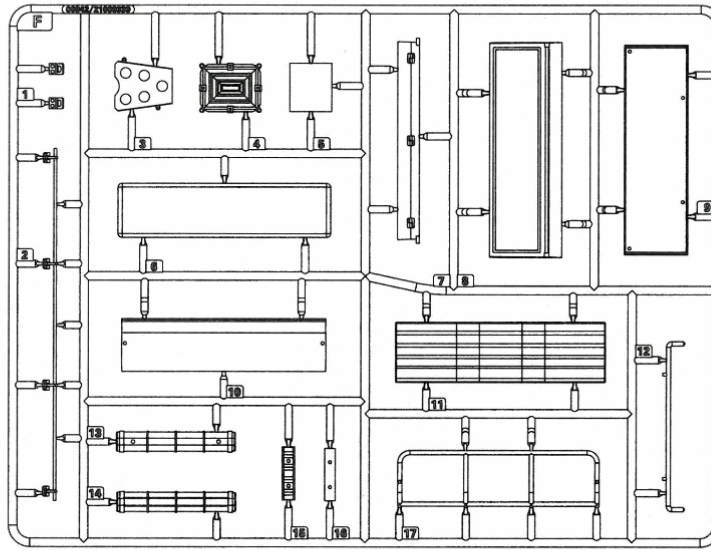
*阴影部分表示不用部品
*Shadow show no parts

部品图
Parts

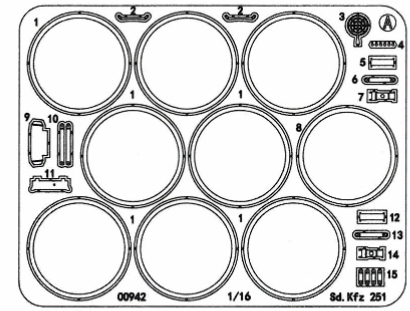
E



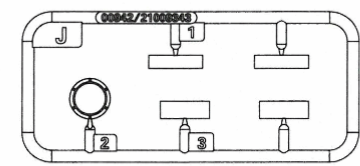
F×2



《蚀刻片》
Photo Etched (A)×2



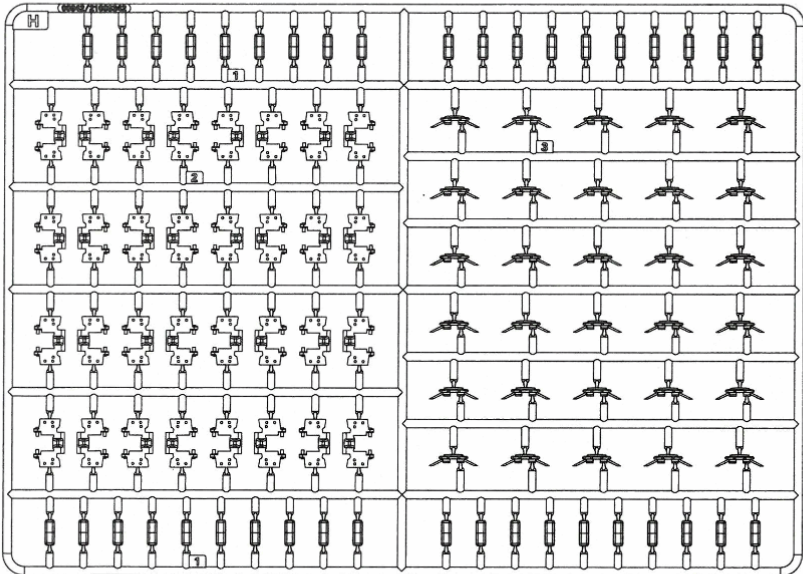
J



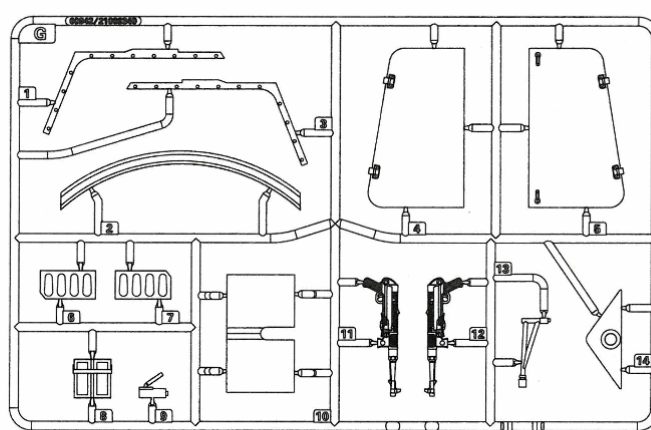
《轮胎》×2
Tyre



H×4



G

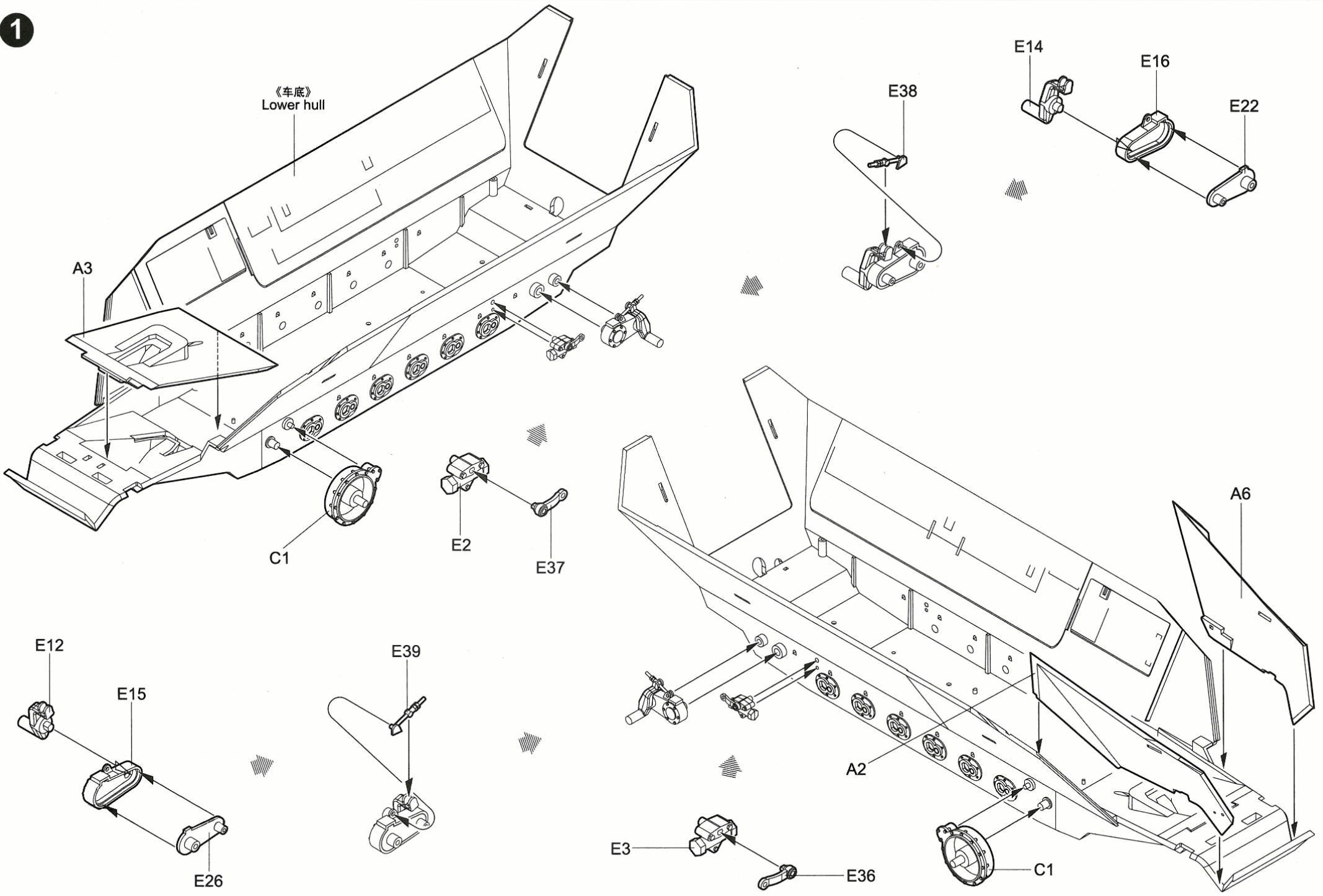


《水贴纸》
Decal



1

《车底》
Lower hull



2

B7
B16
制作12组
Make twelve

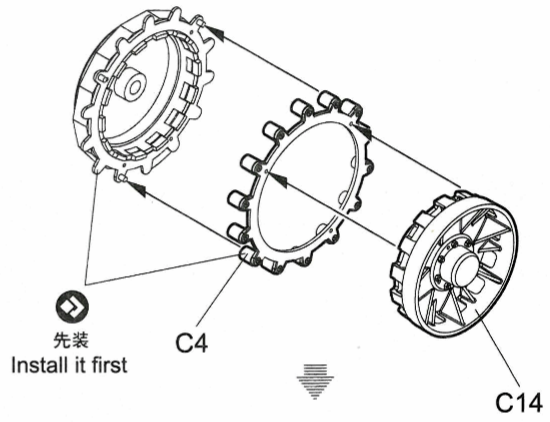
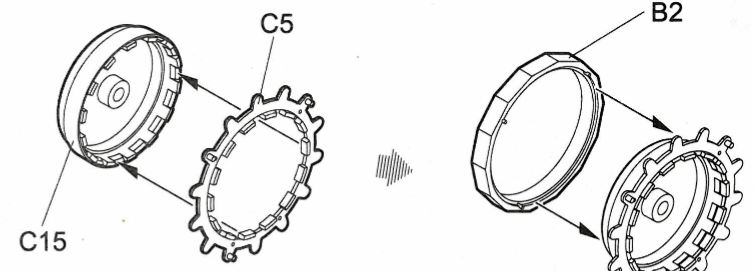
对侧相同
Both sides

B6
对侧相同
Both sides

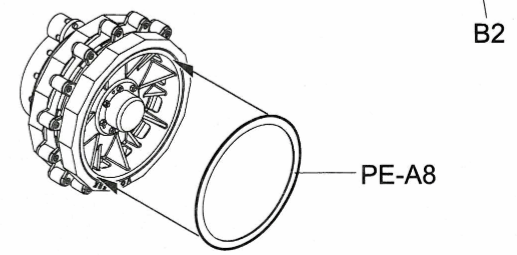
B6
对侧相同
Both sides

对侧相同
Both sides

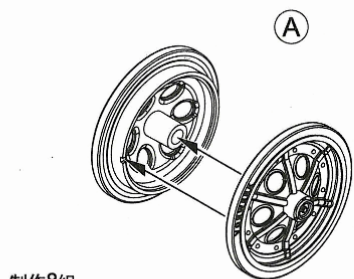
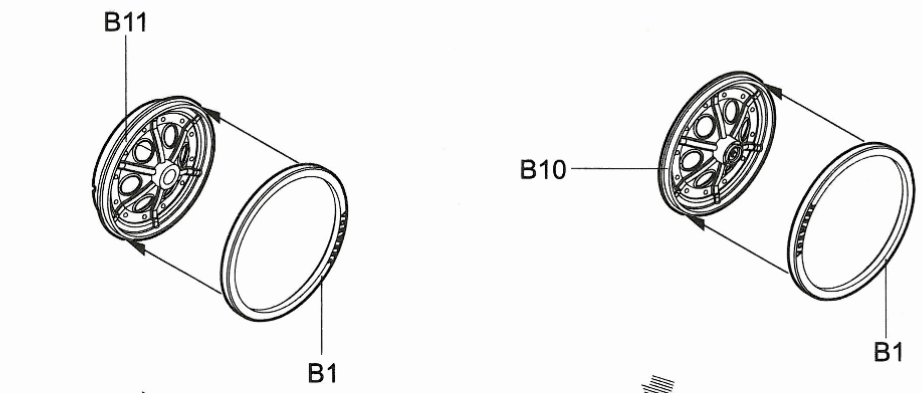
C37
对侧相同
Both sides



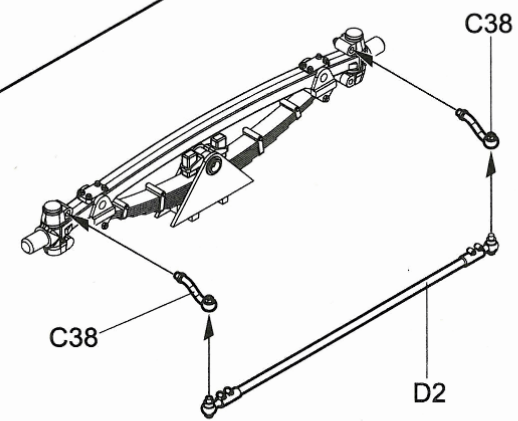
制作2组
Make two



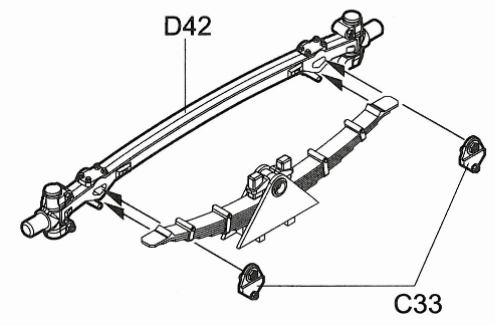
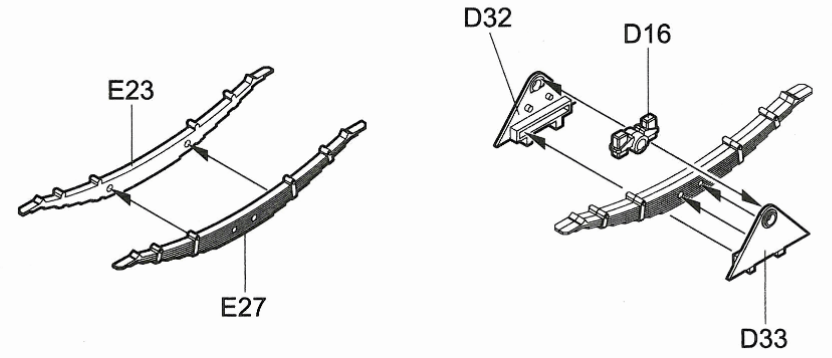
3



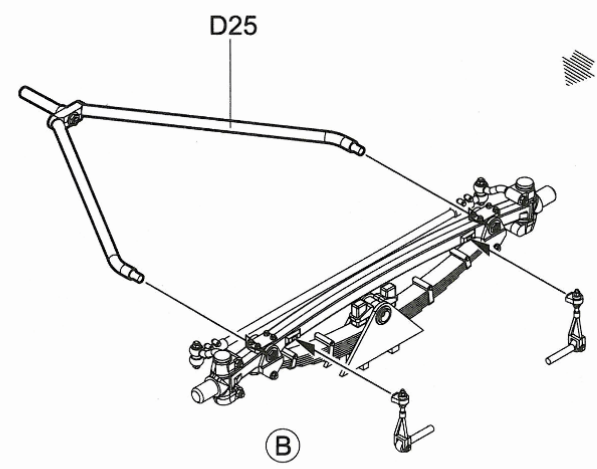
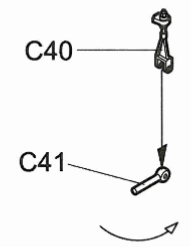
制作8组
Make eight



4

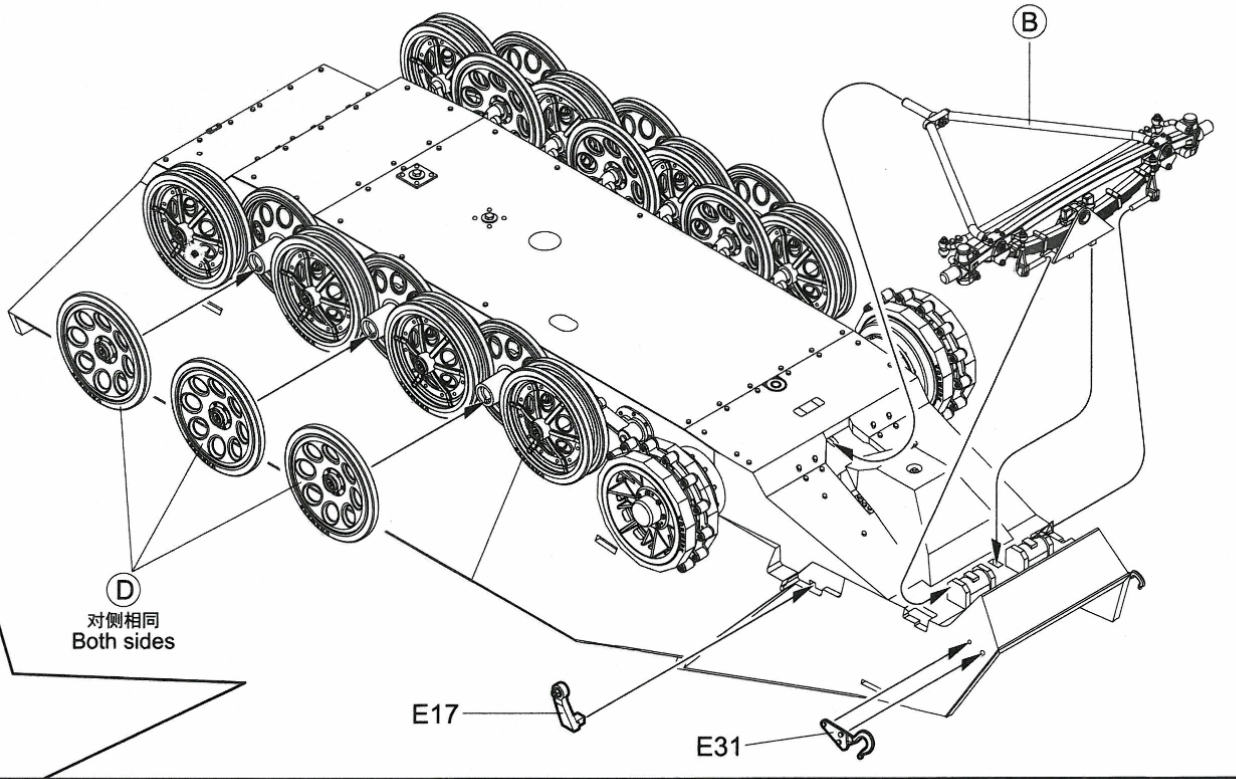
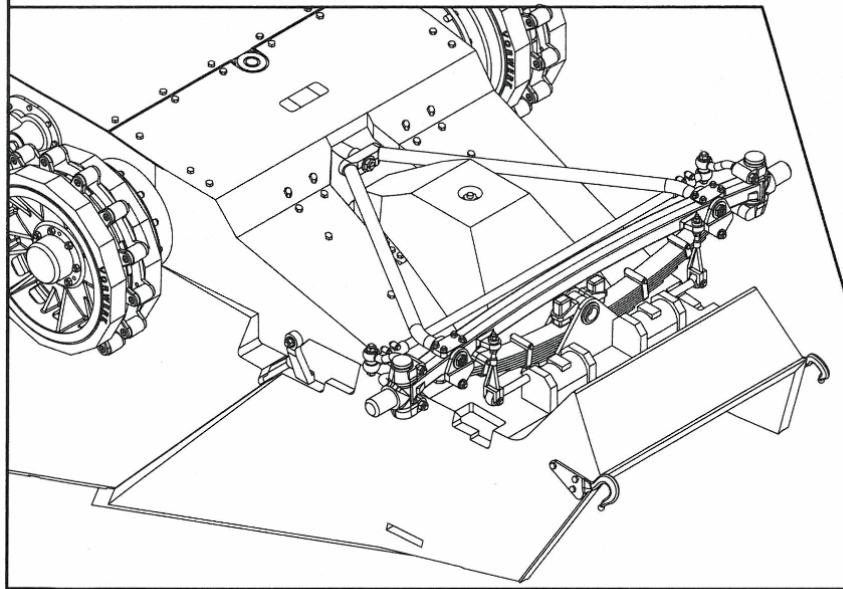
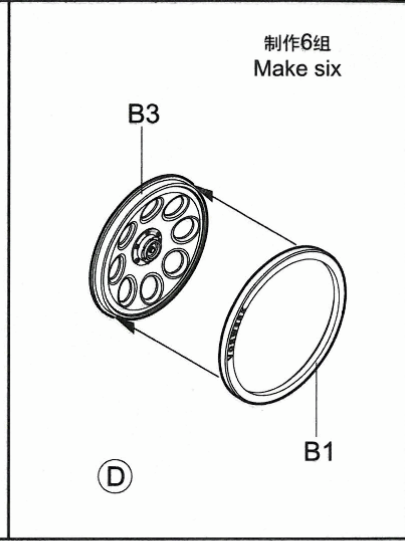
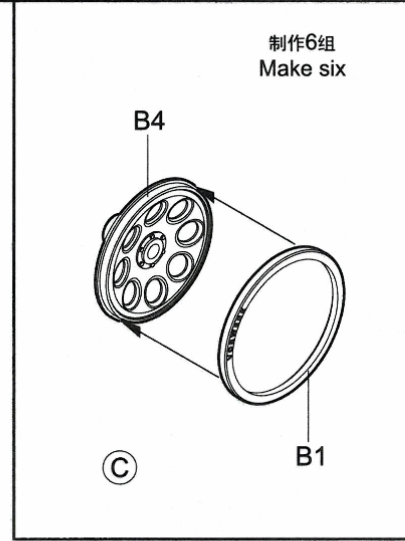
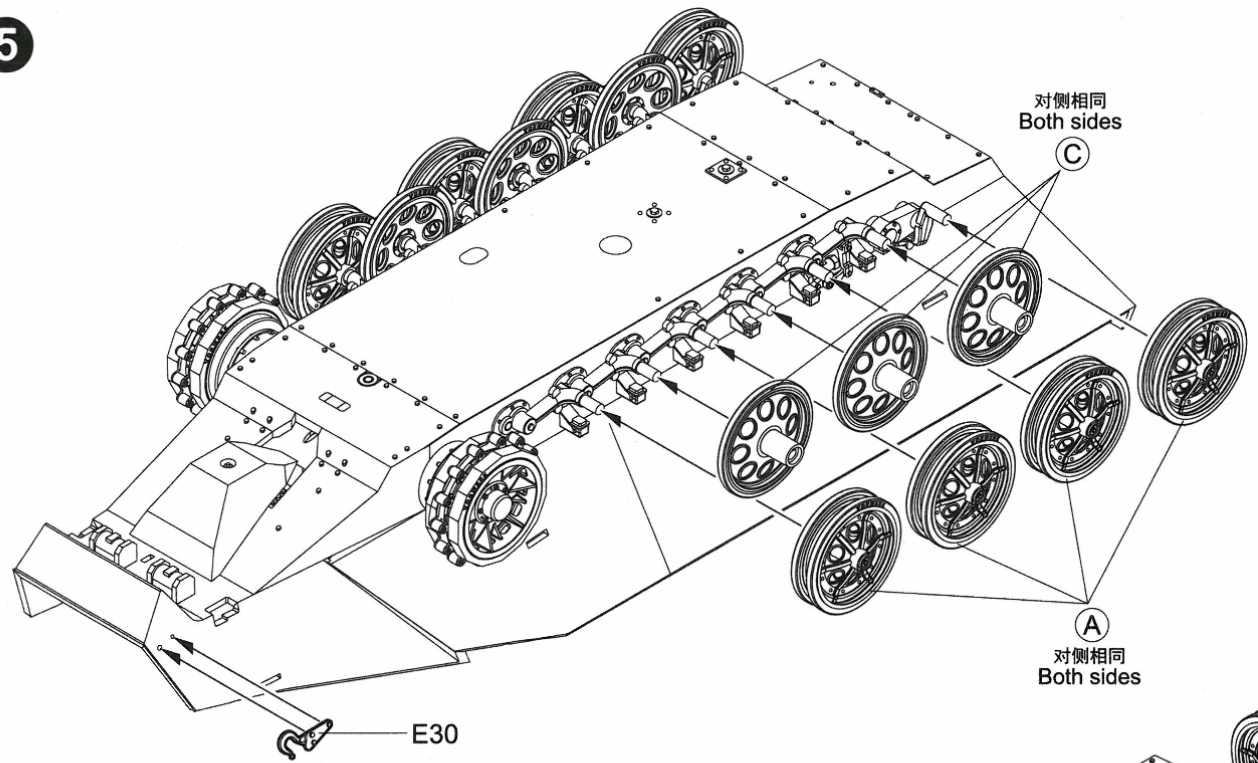


制作2组
Make two

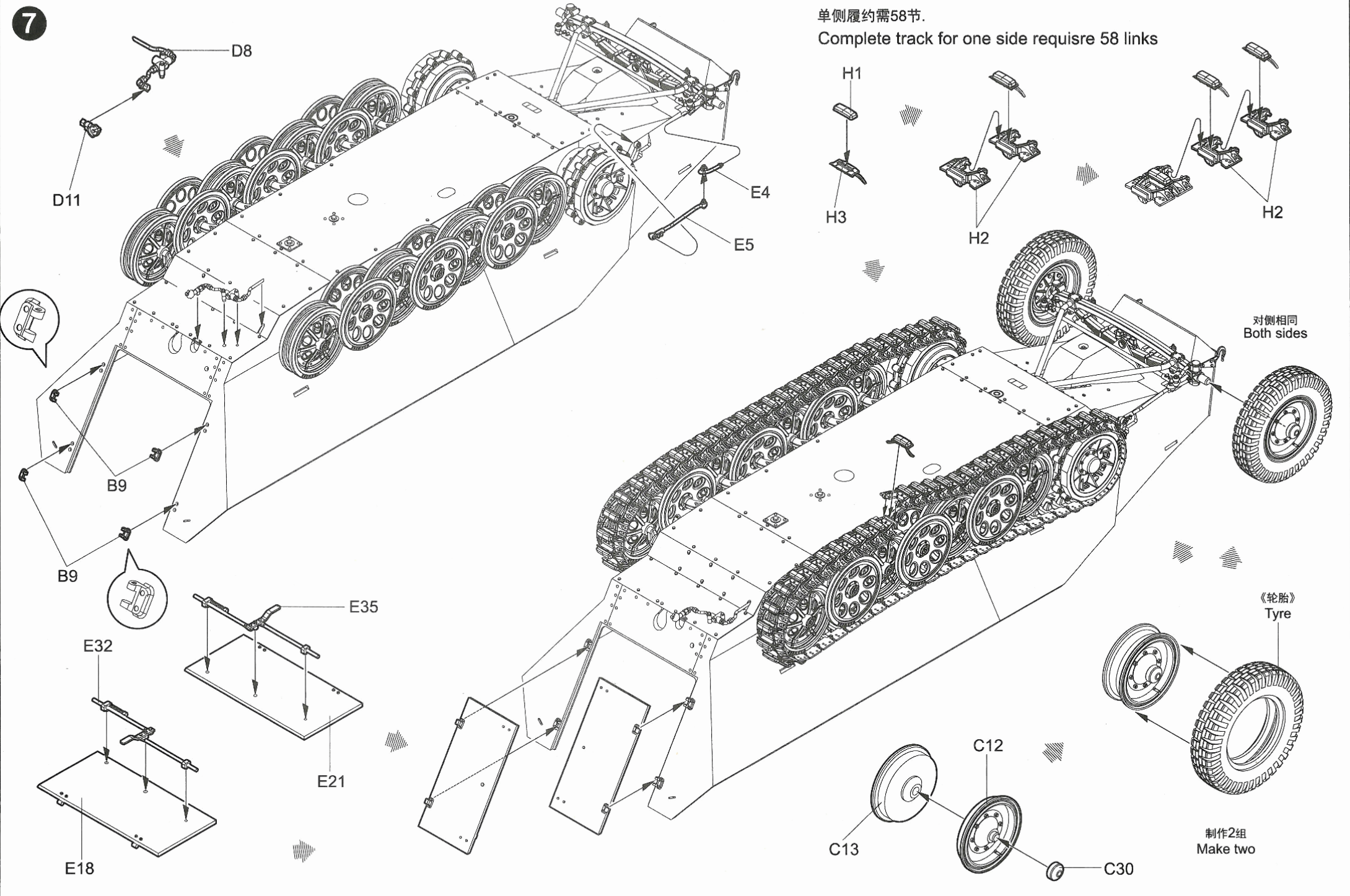


B

5



7



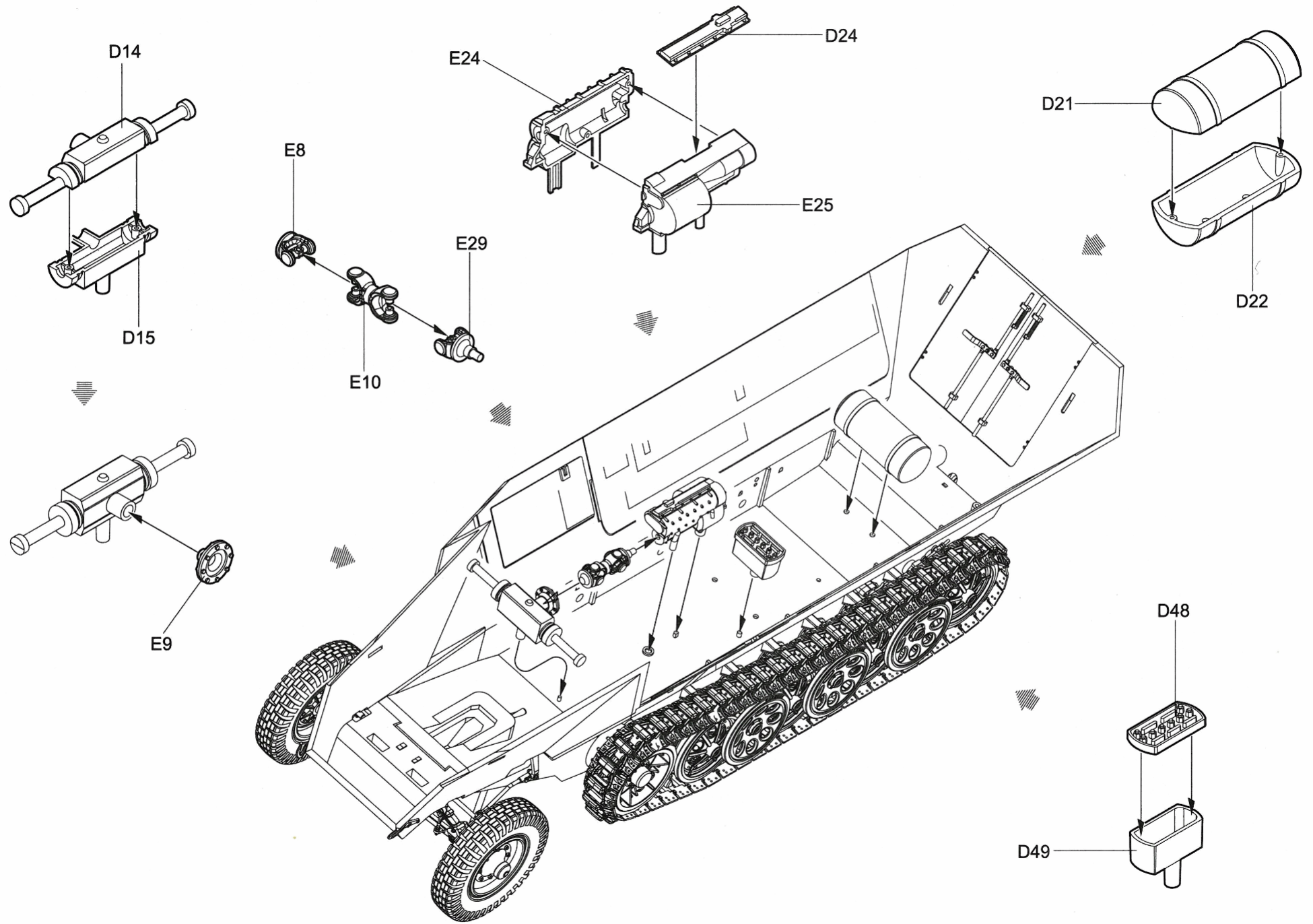
单侧履约需58节。
Complete track for one side require 58 links

对侧相同
Both sides

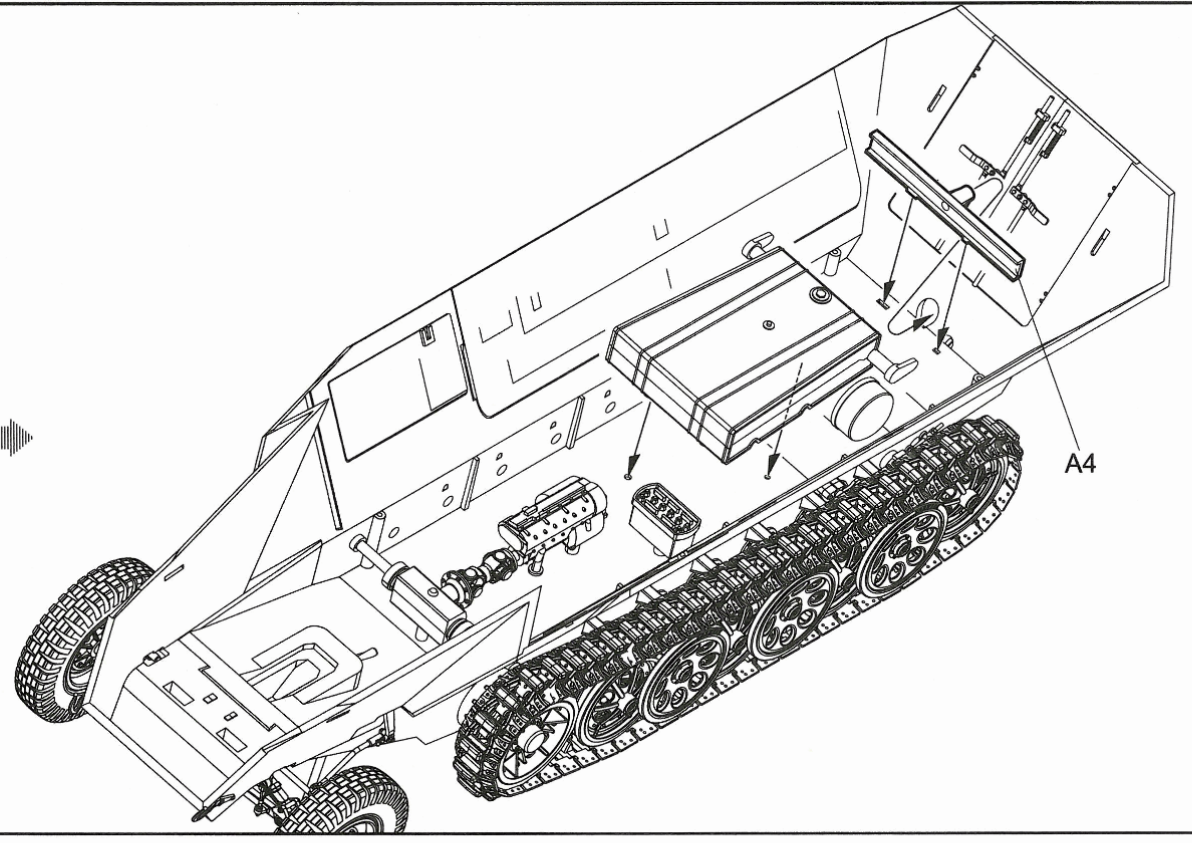
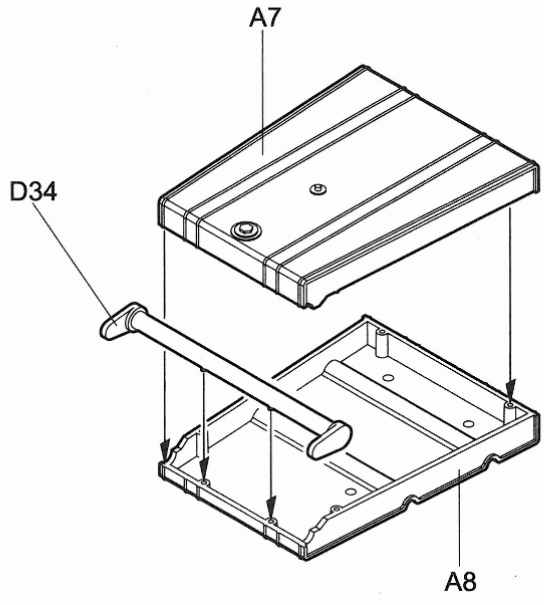
《轮胎》
Tyre

制作2组
Make two

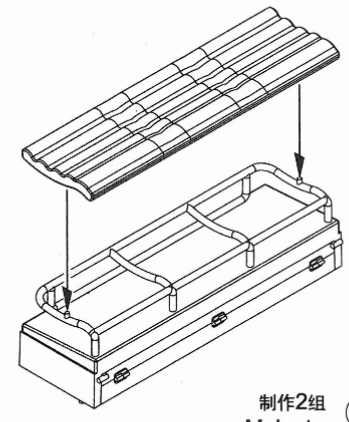
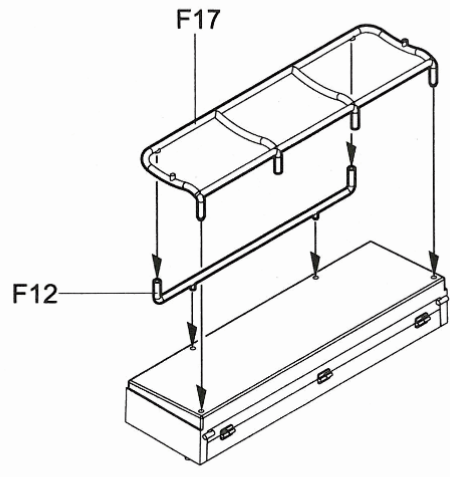
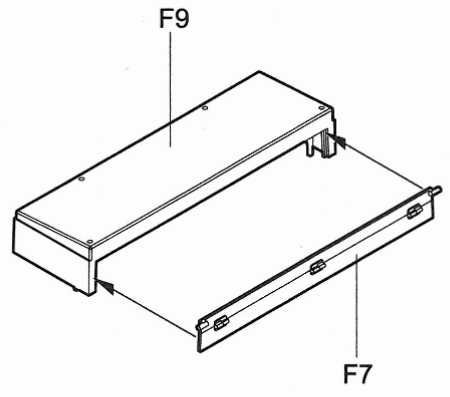
7



8

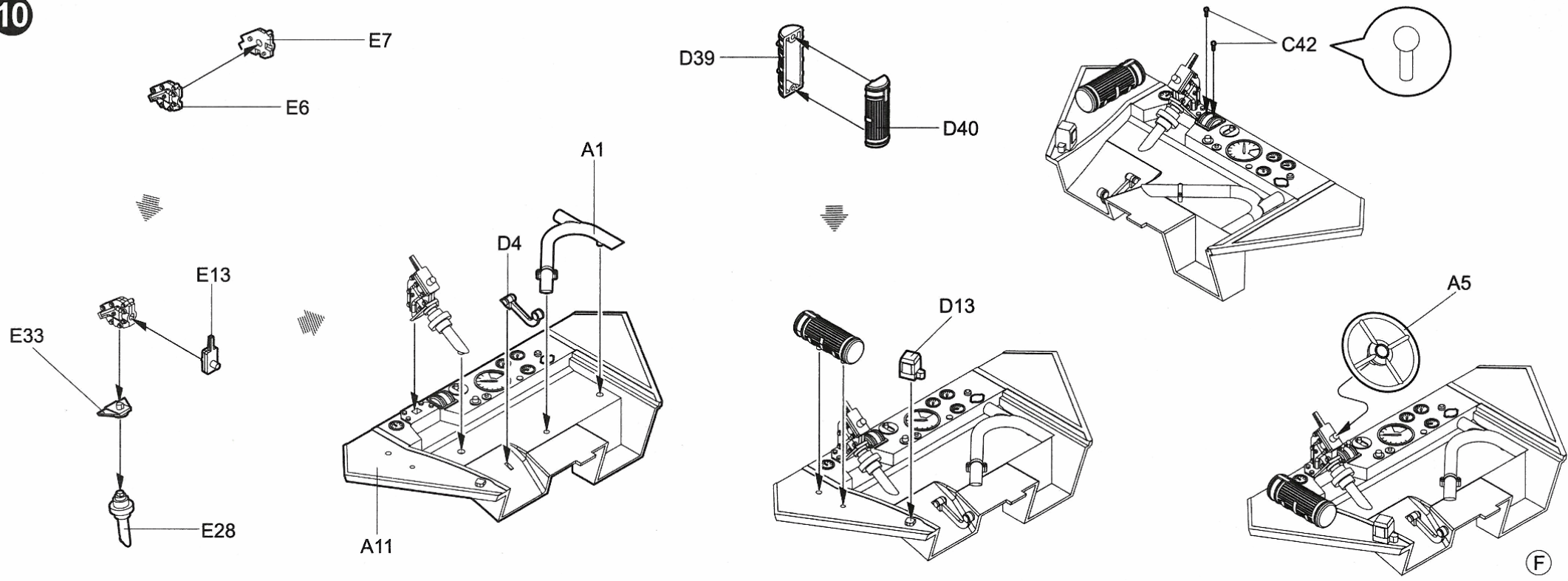


9

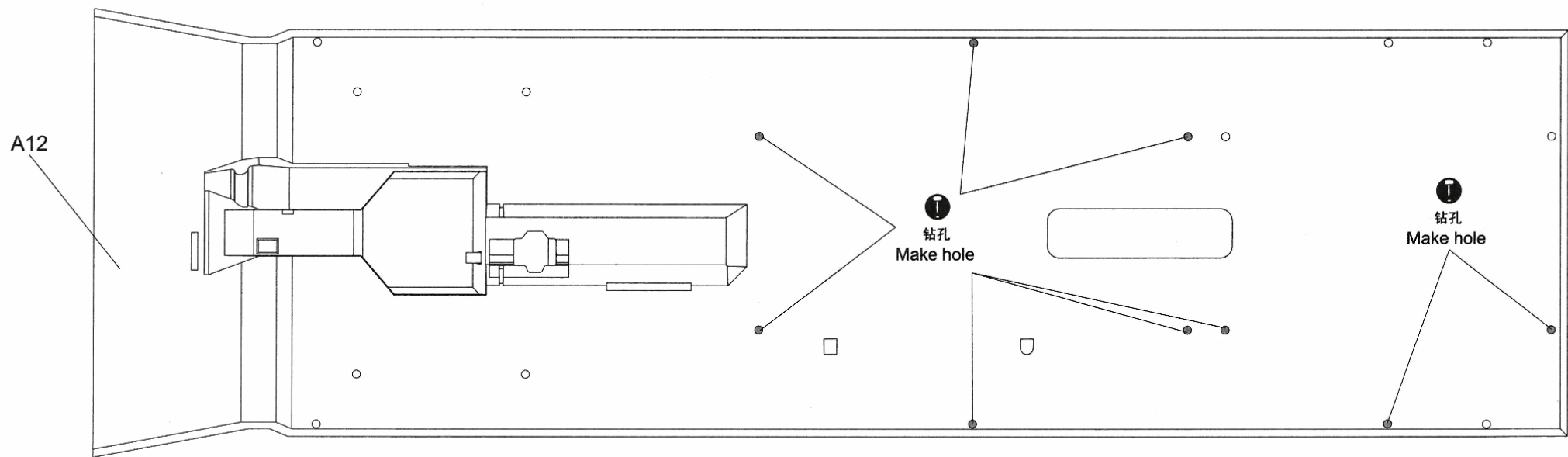


制作2组 (E)
Make two (E)

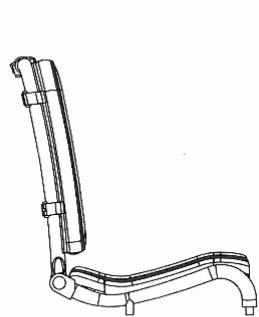
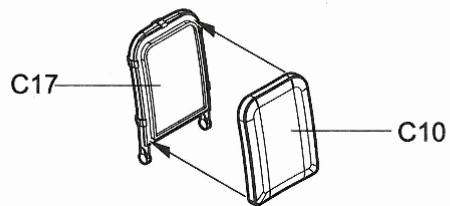
10



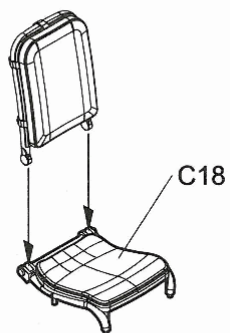
11



12



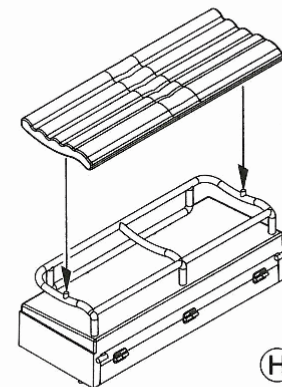
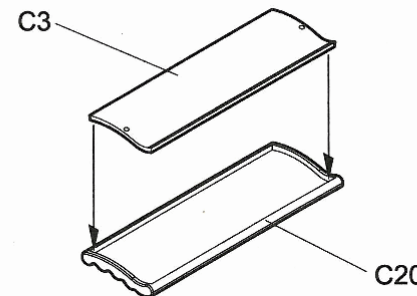
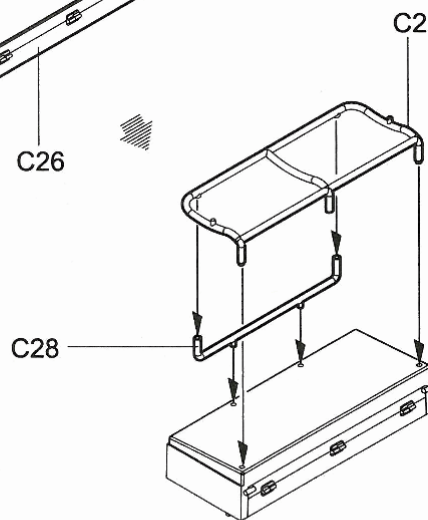
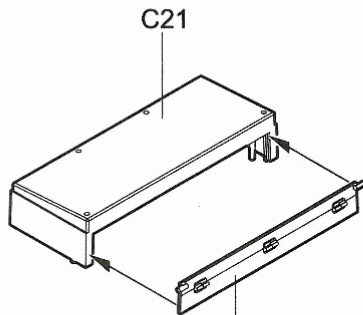
全比例
For scale



Ⓒ

制作2组
Make two

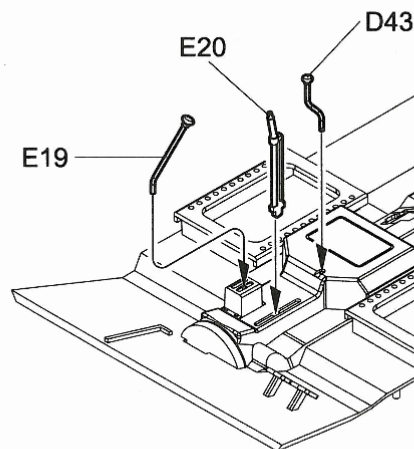
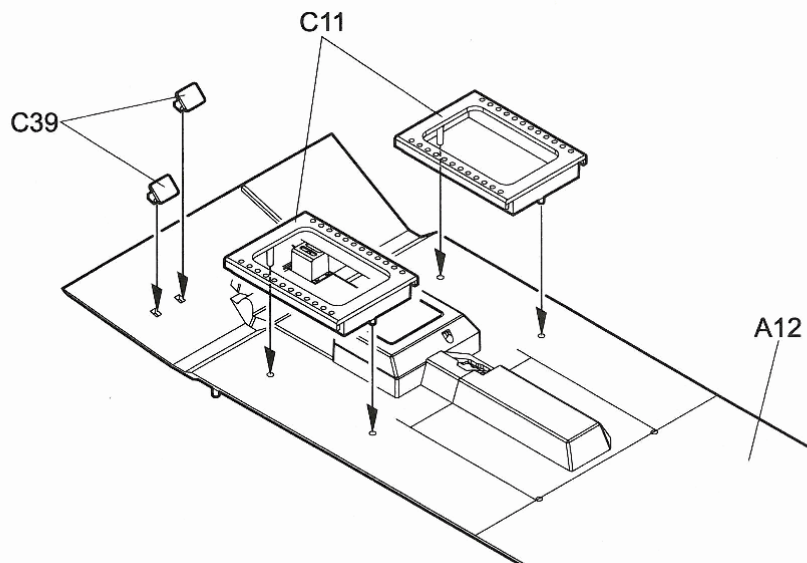
13

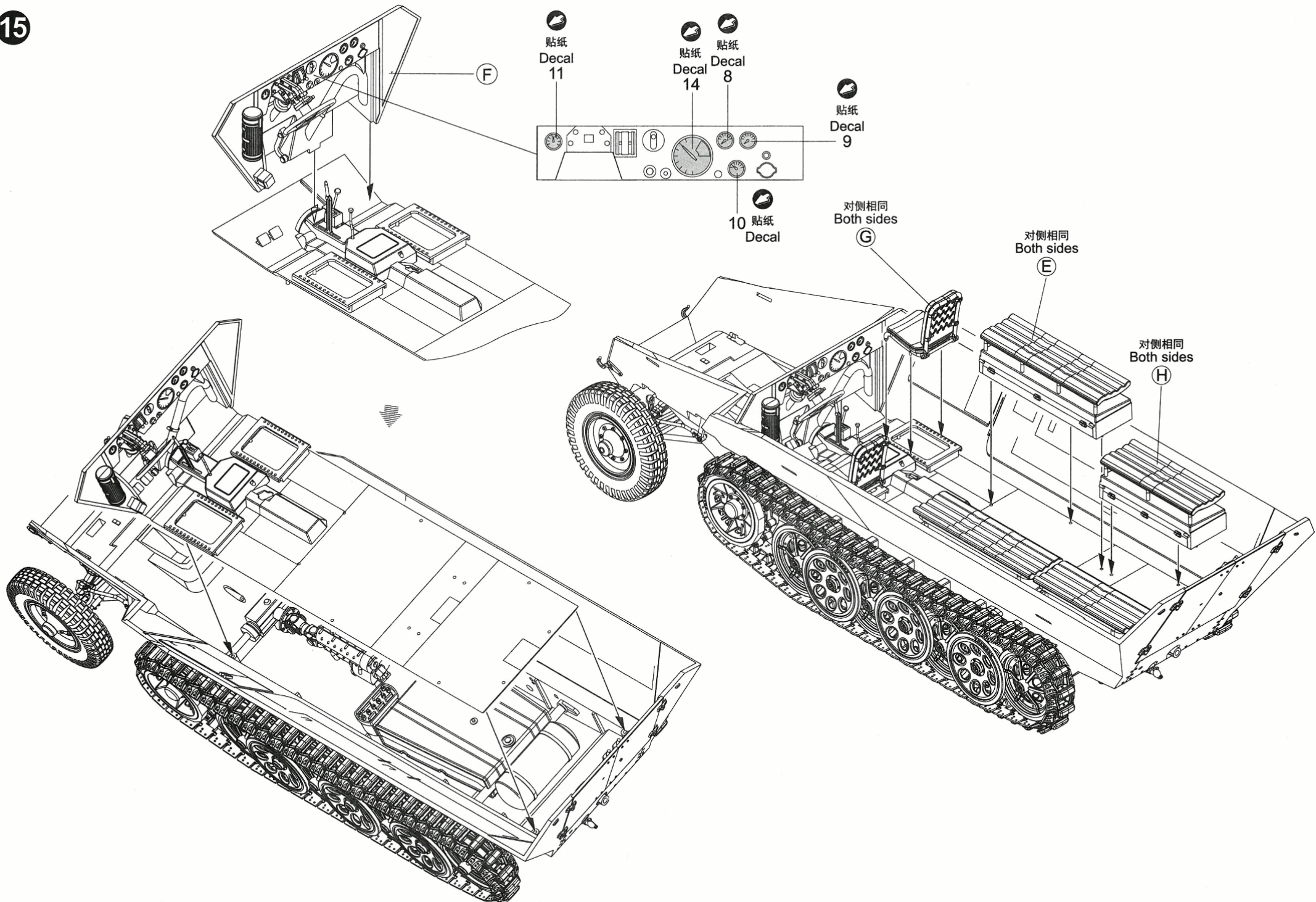


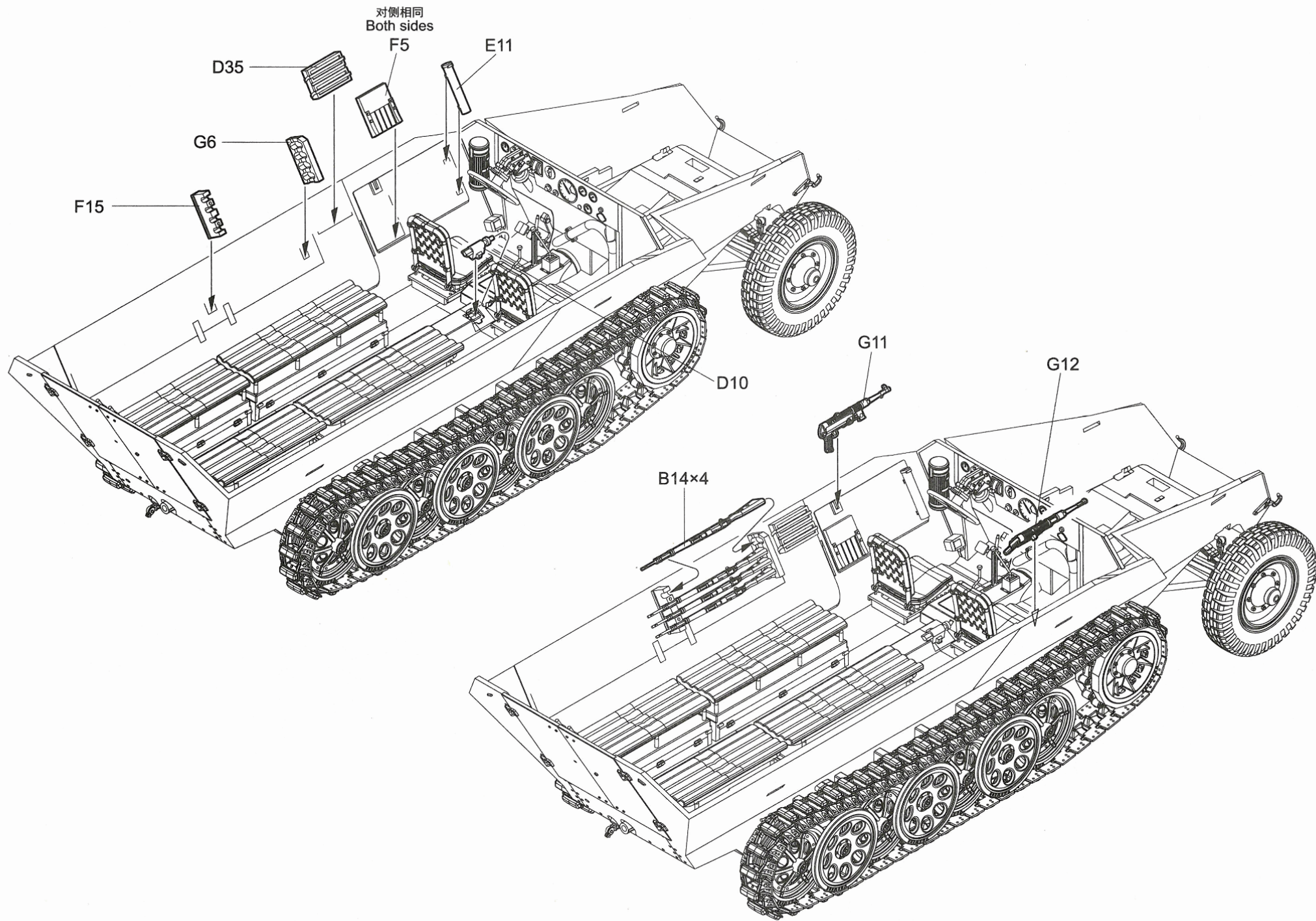
制作2组
Make two

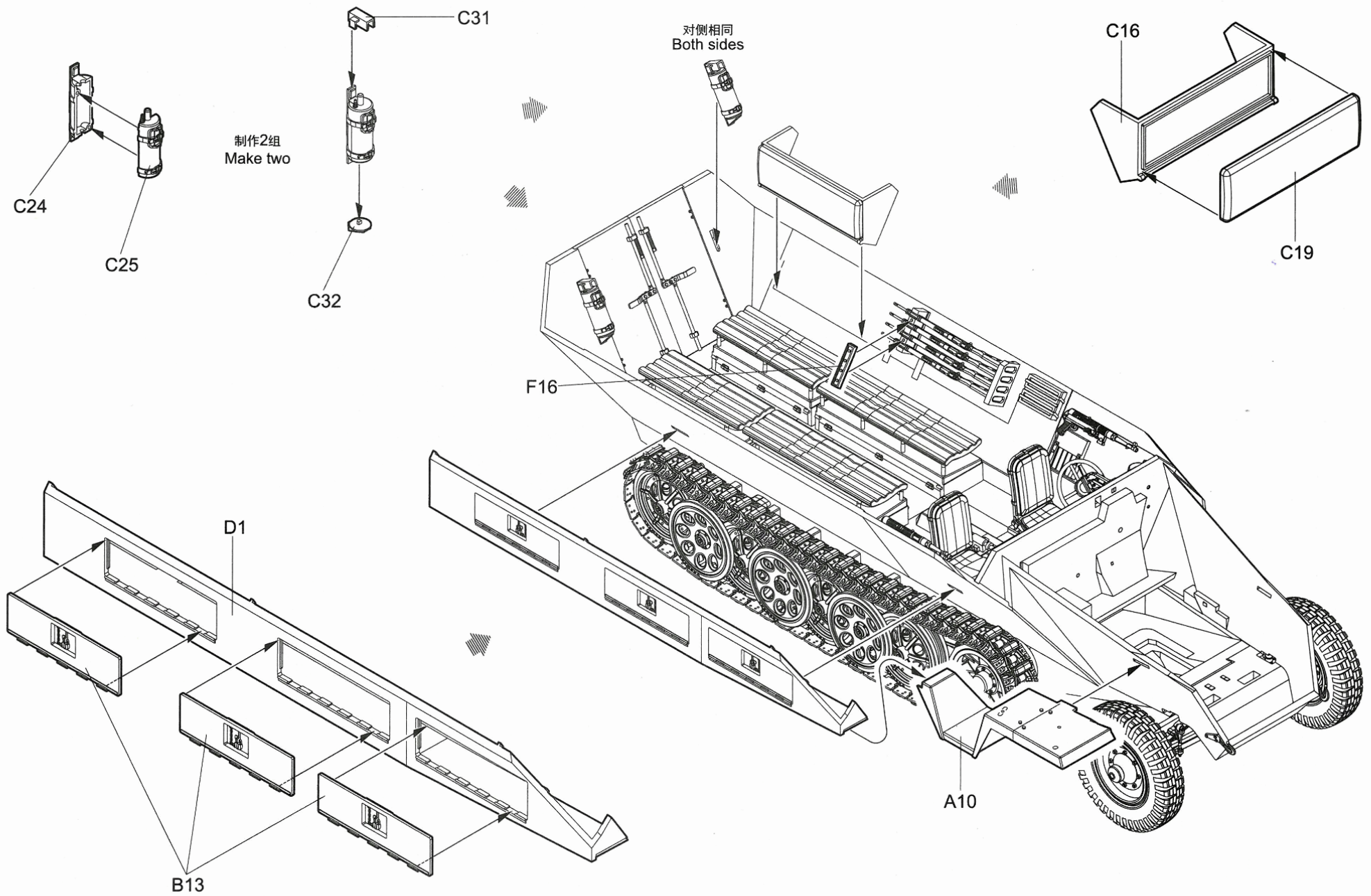
Ⓓ

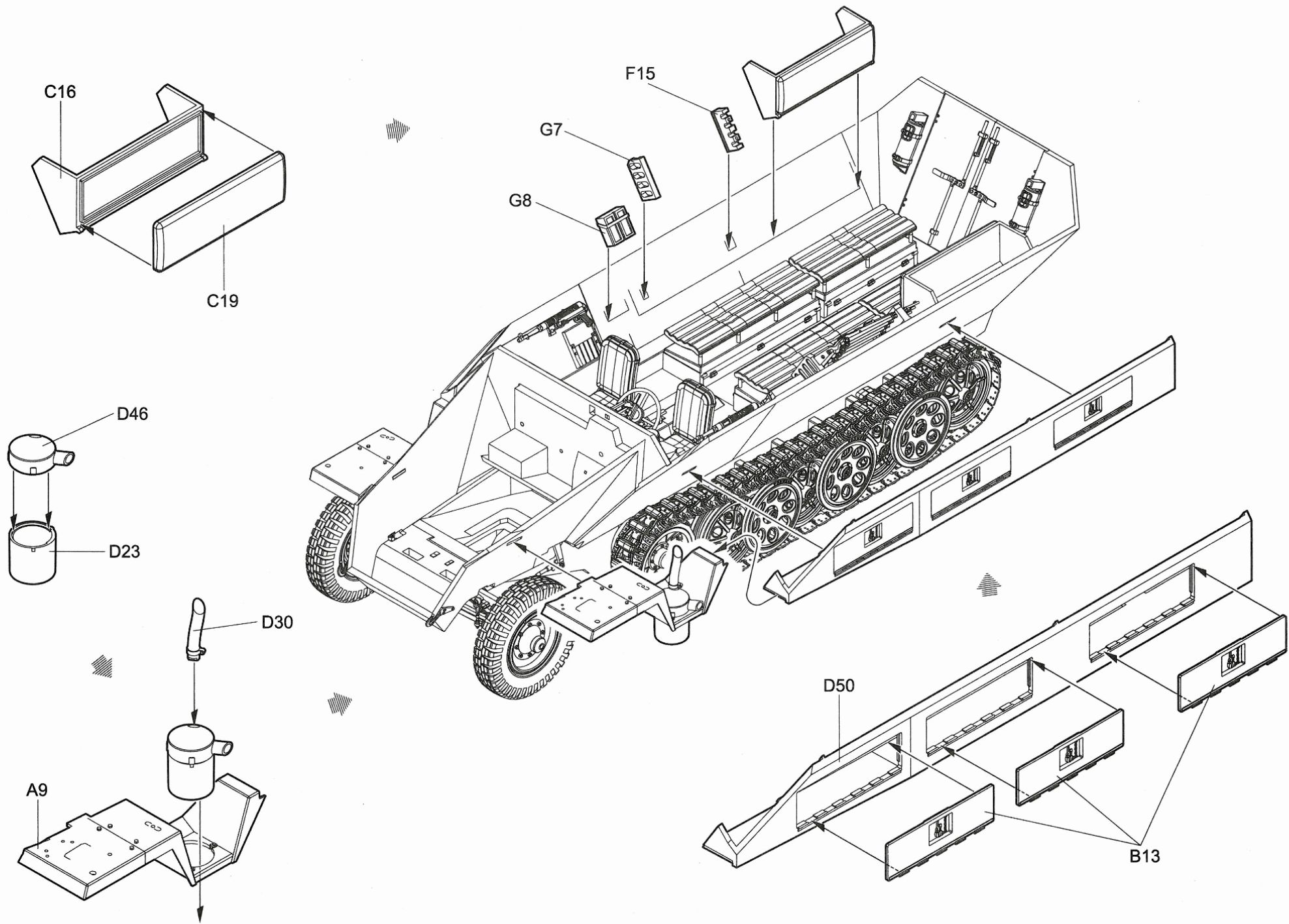
14

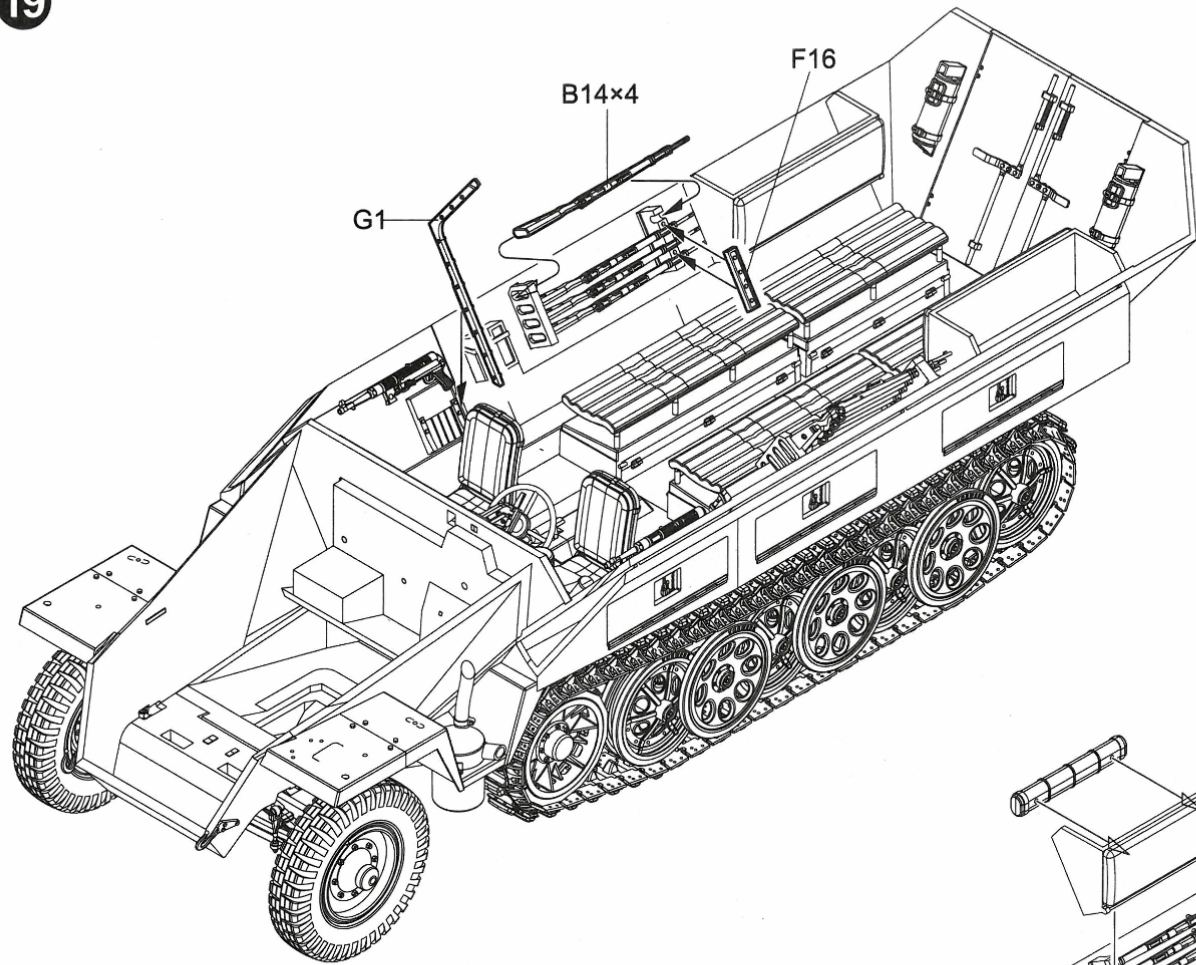




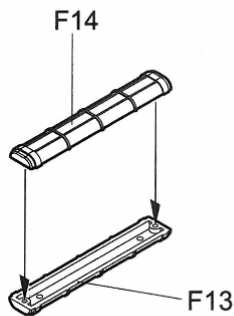
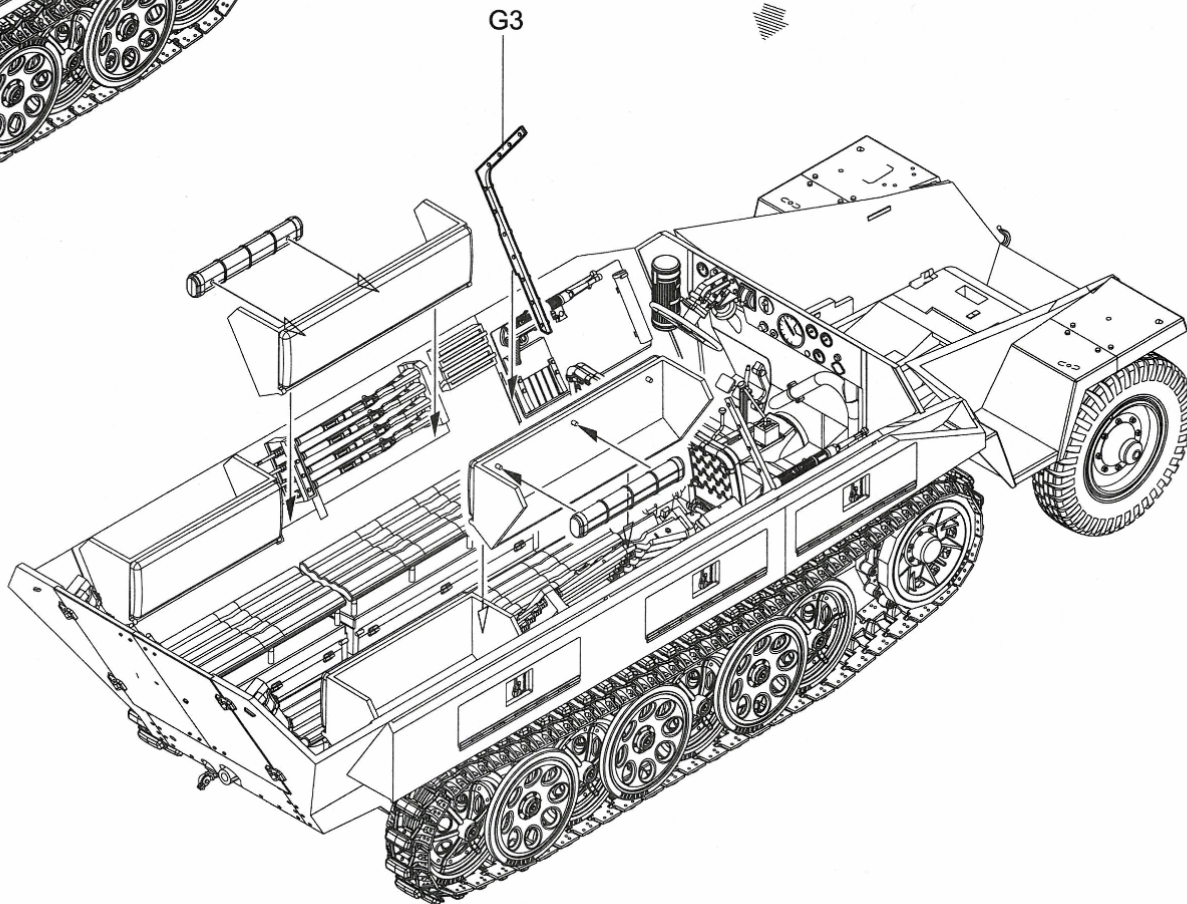
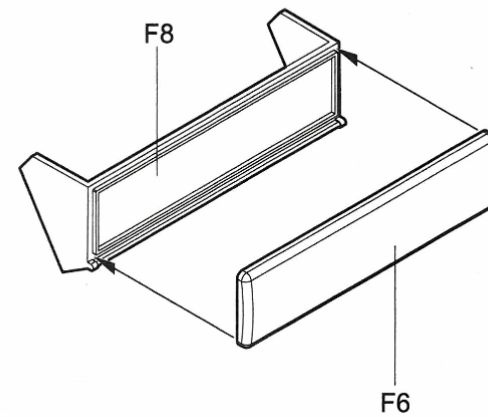






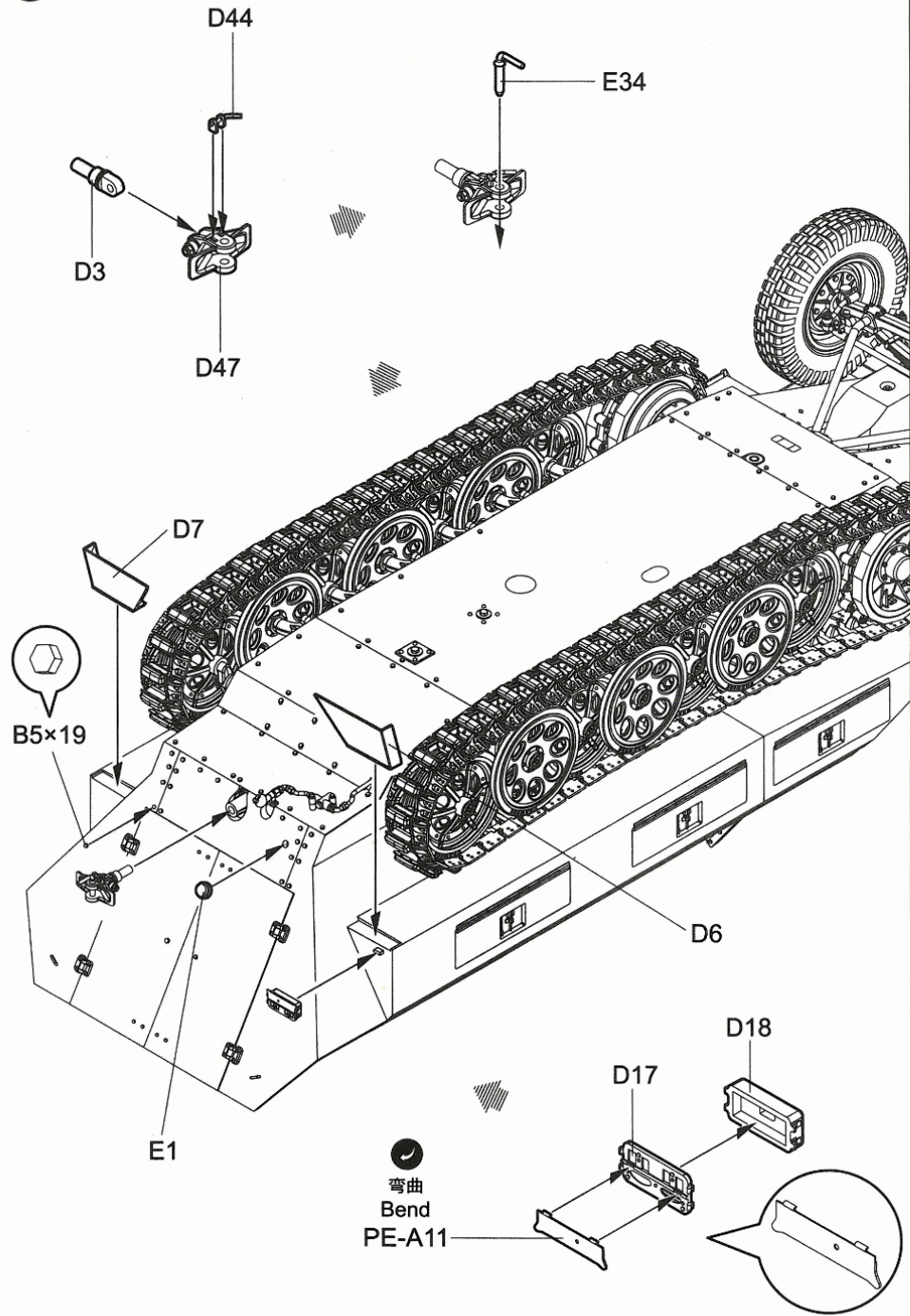


制作2组
Make two

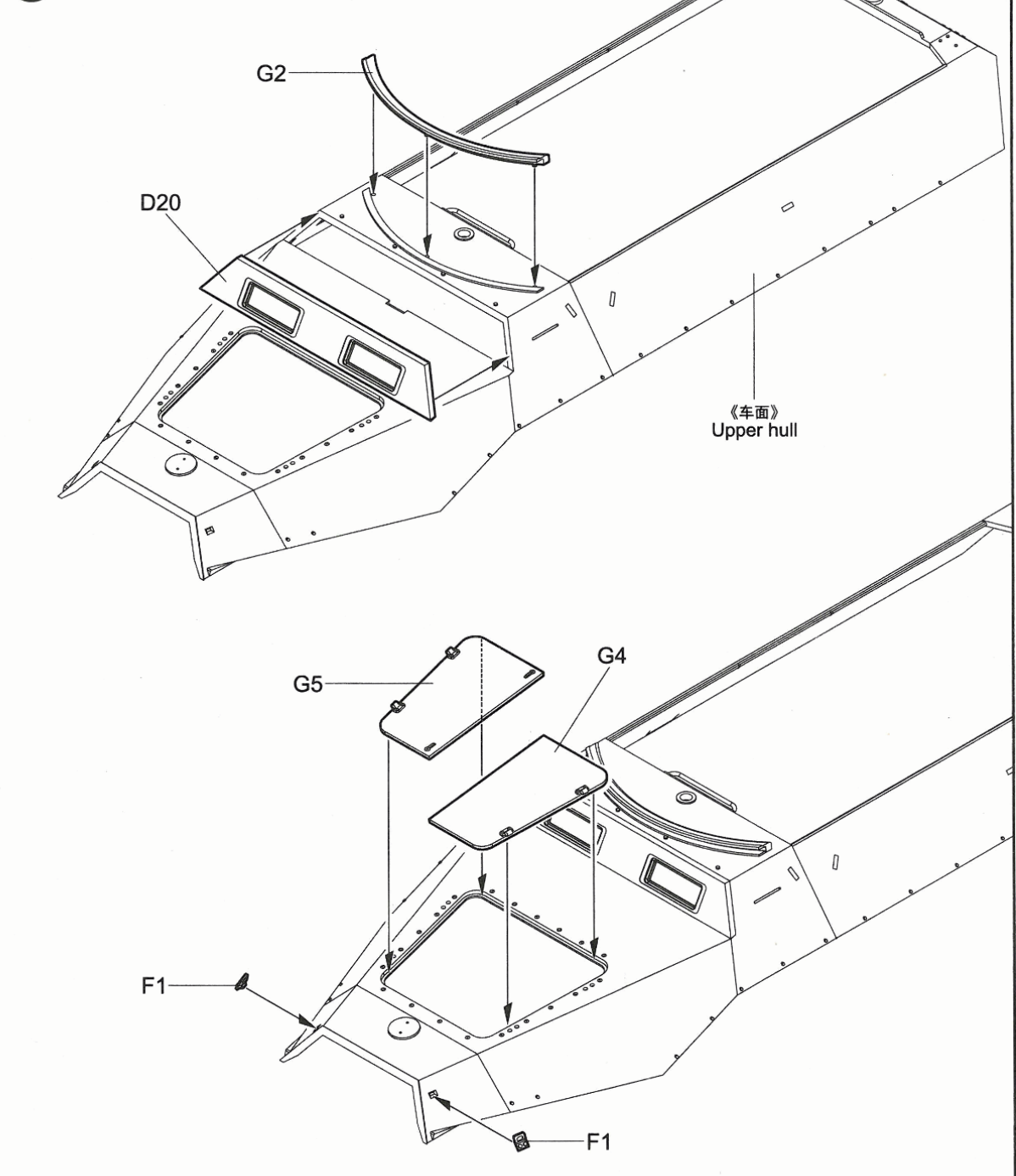


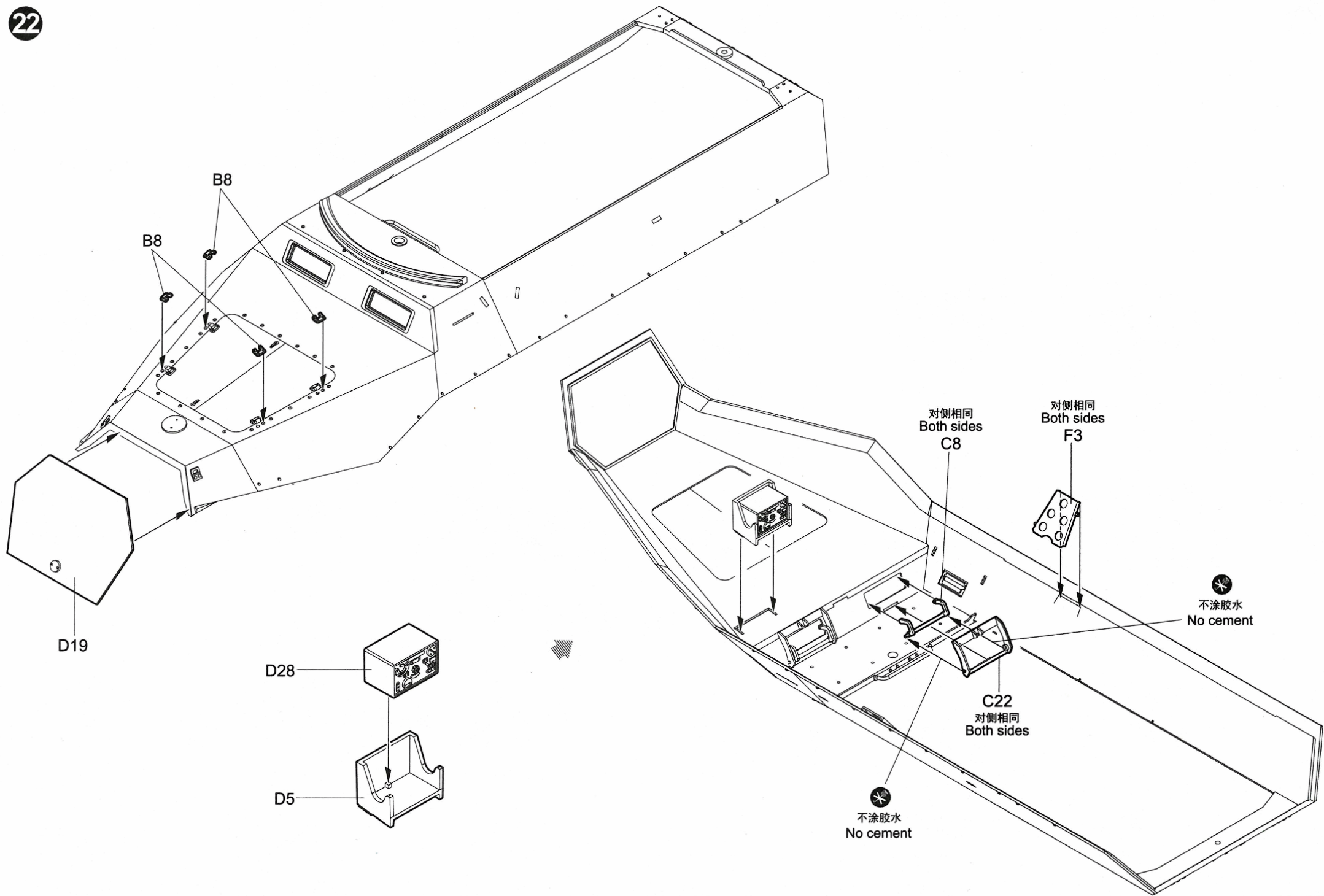
制作2组
Make two

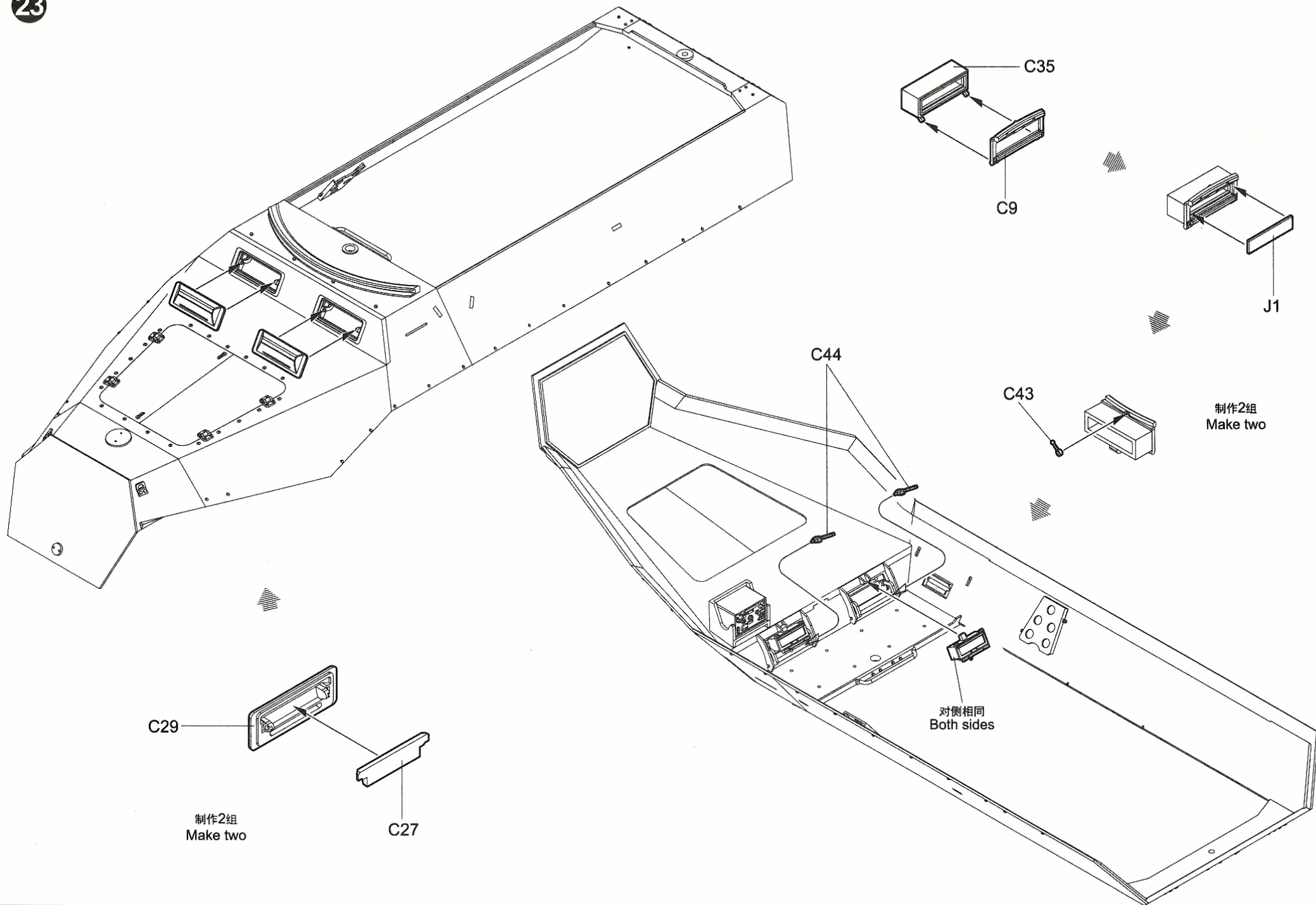
20



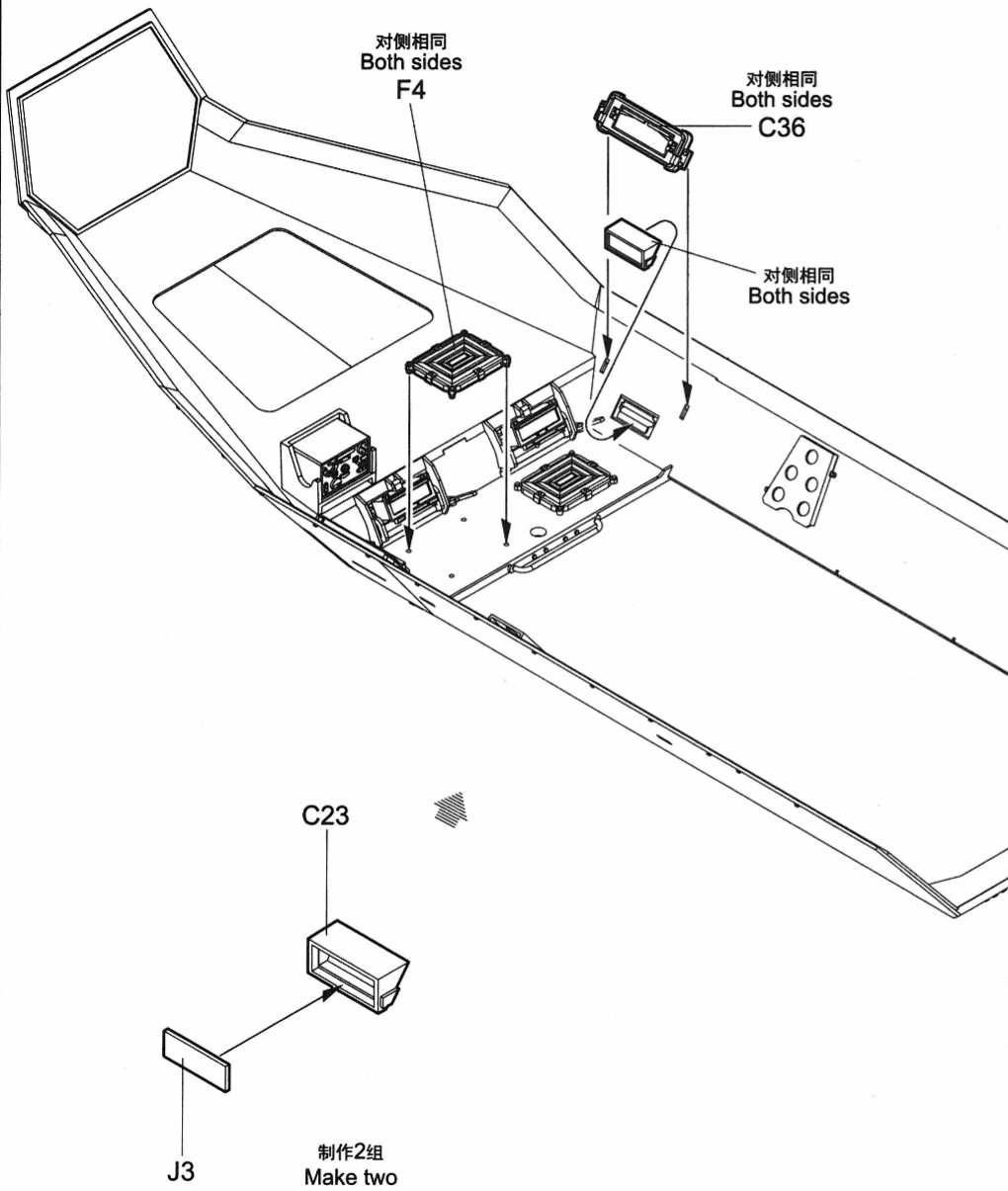
21



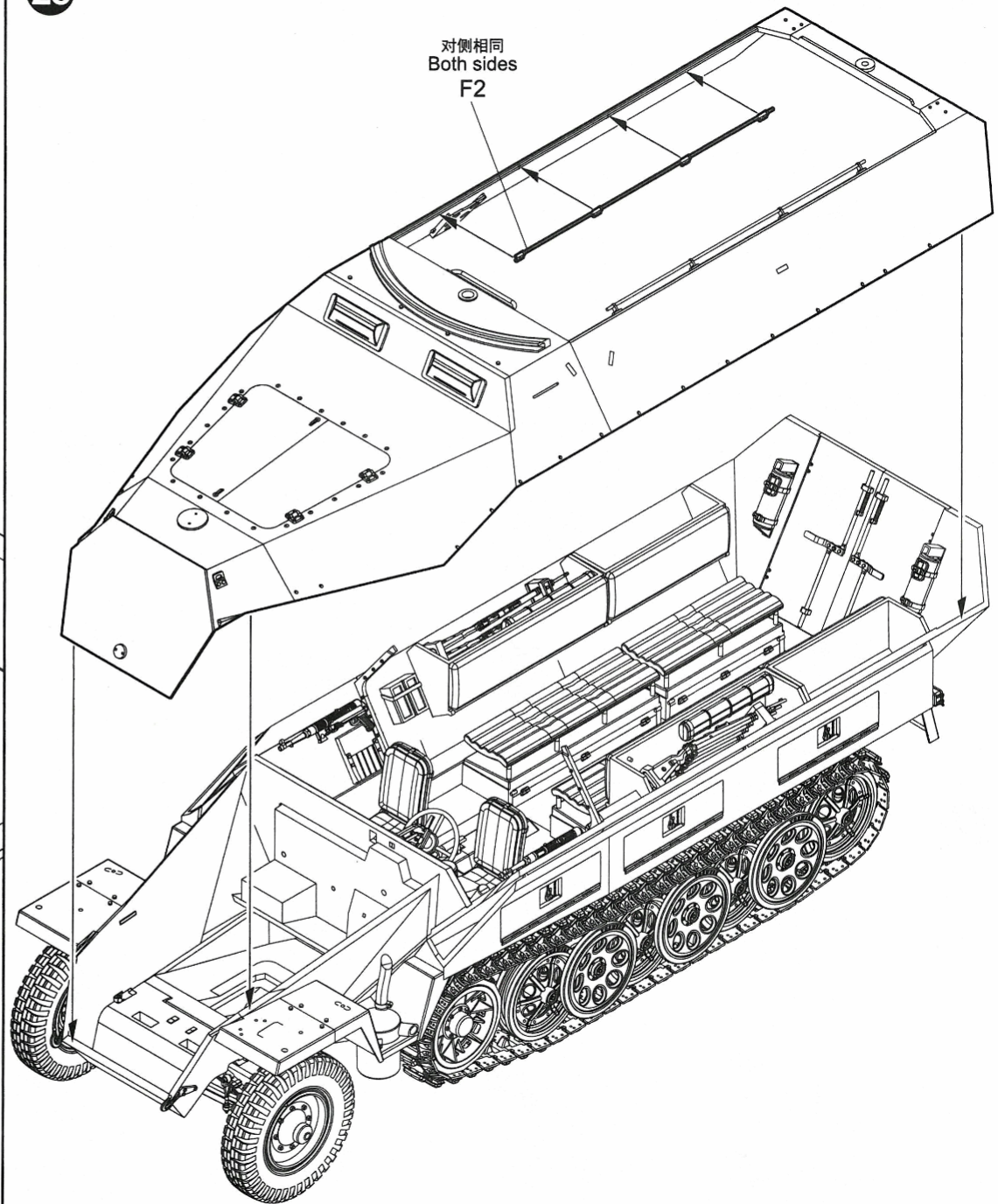




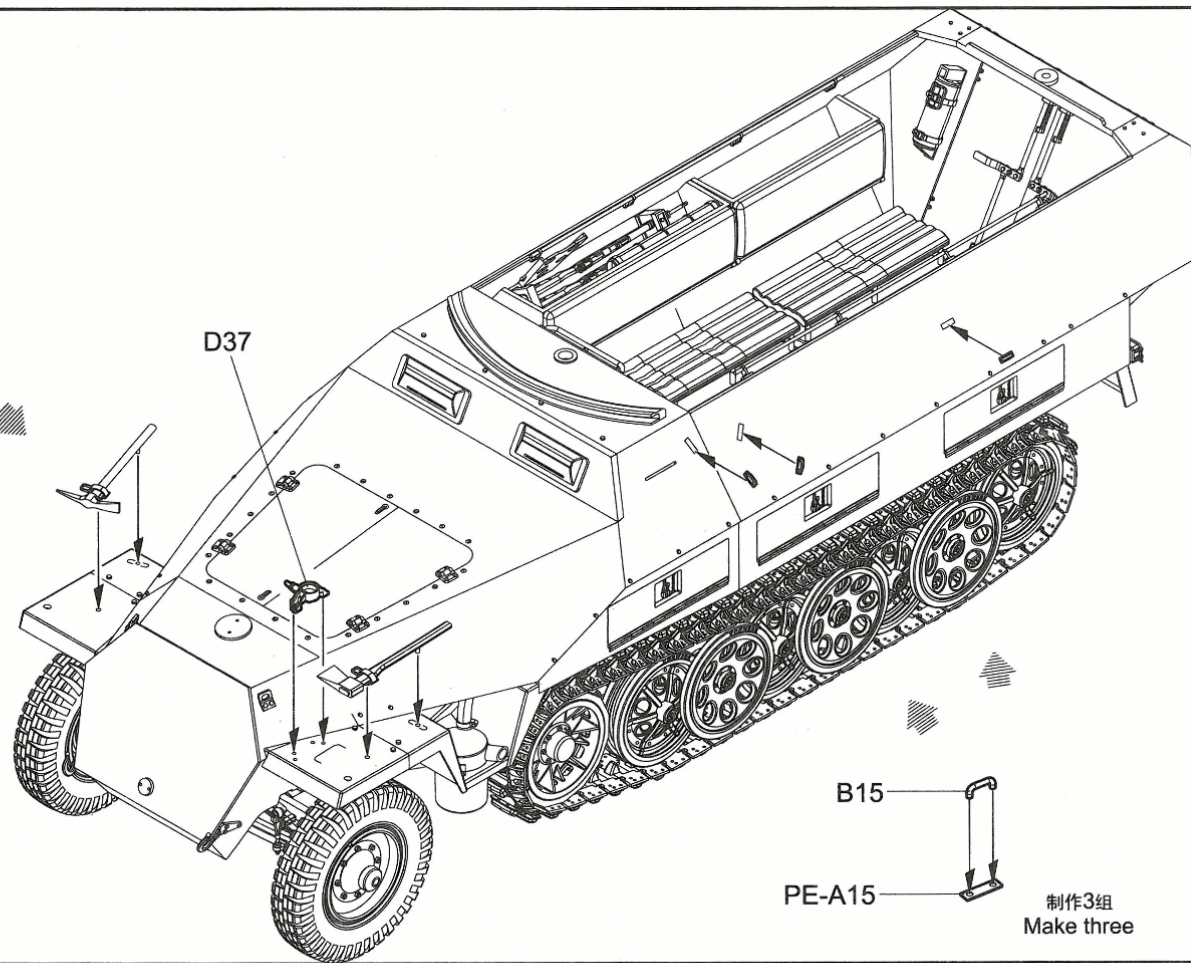
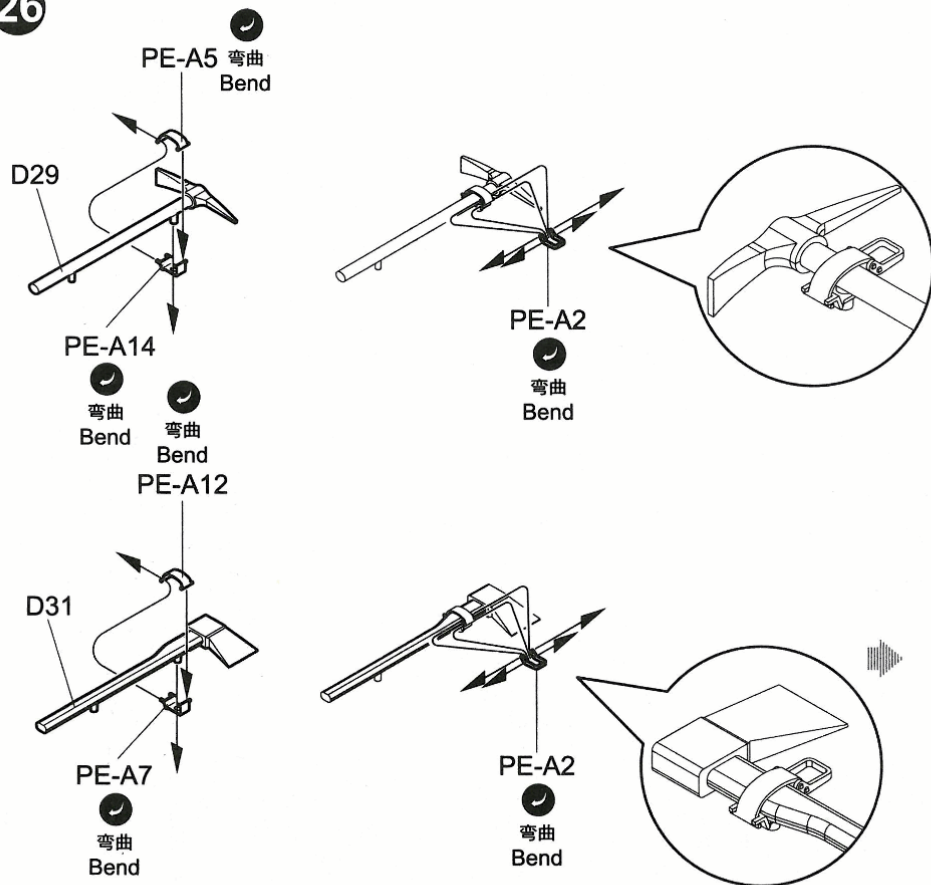
24



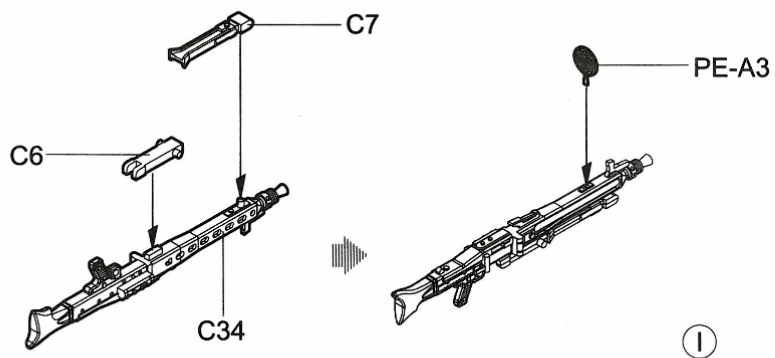
25



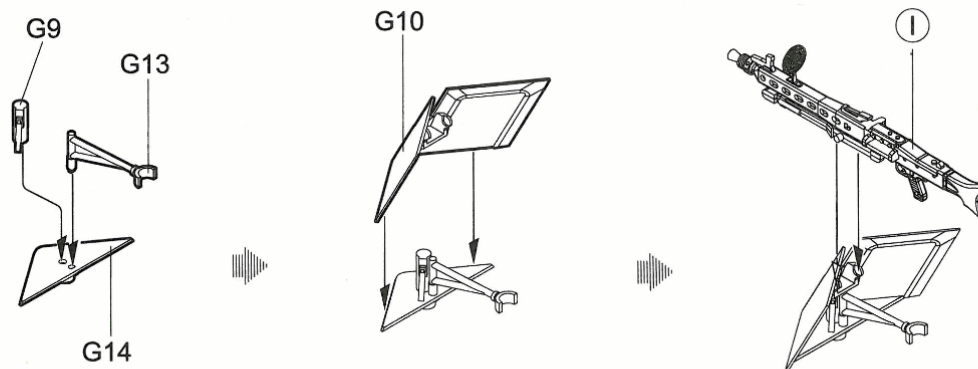
26



27

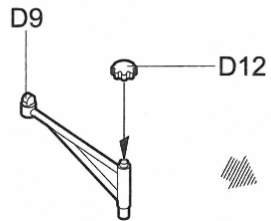
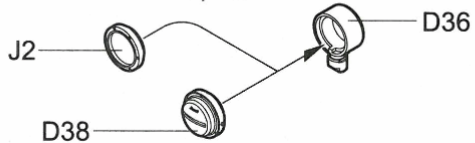


28

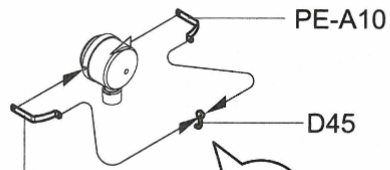


29

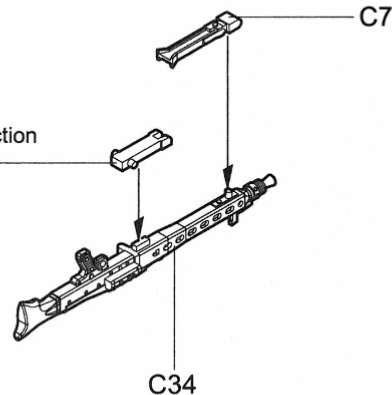
选择
Option



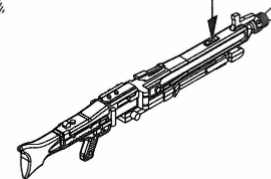
弯曲
Bend



注意方向
Notice direction



PE-A3



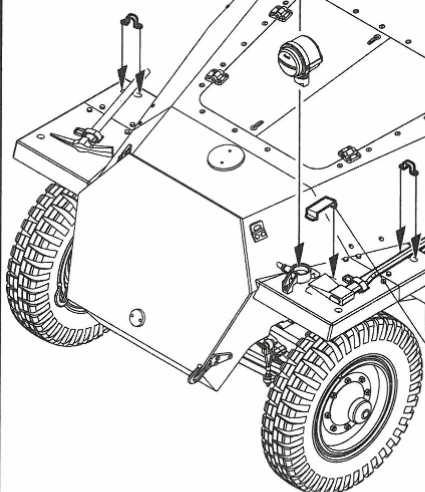
弯曲
Bend

选择
Option

弯曲
Bend

全比例
For scale

PE-A4



弯曲
Bend

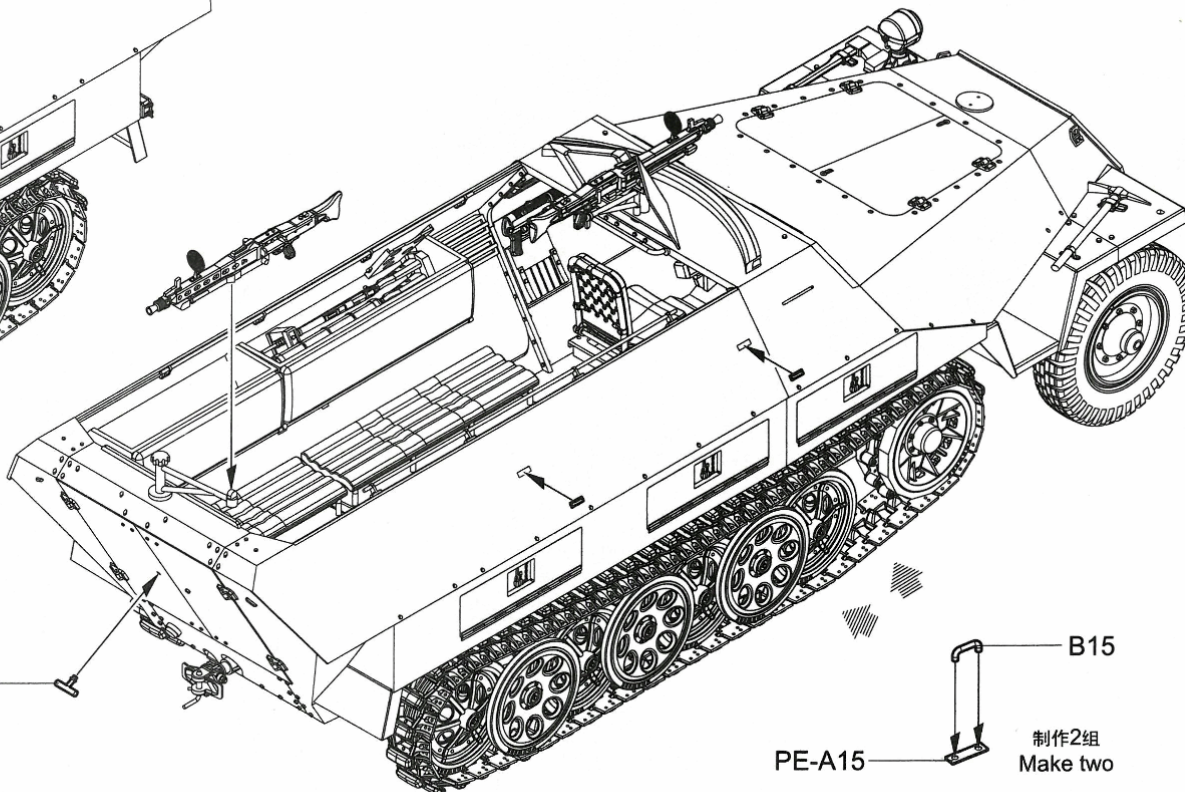
弯曲
Bend

全比例
For scale

PE-A4

PE-A6

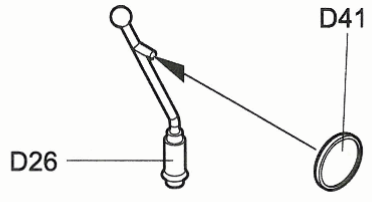
E40



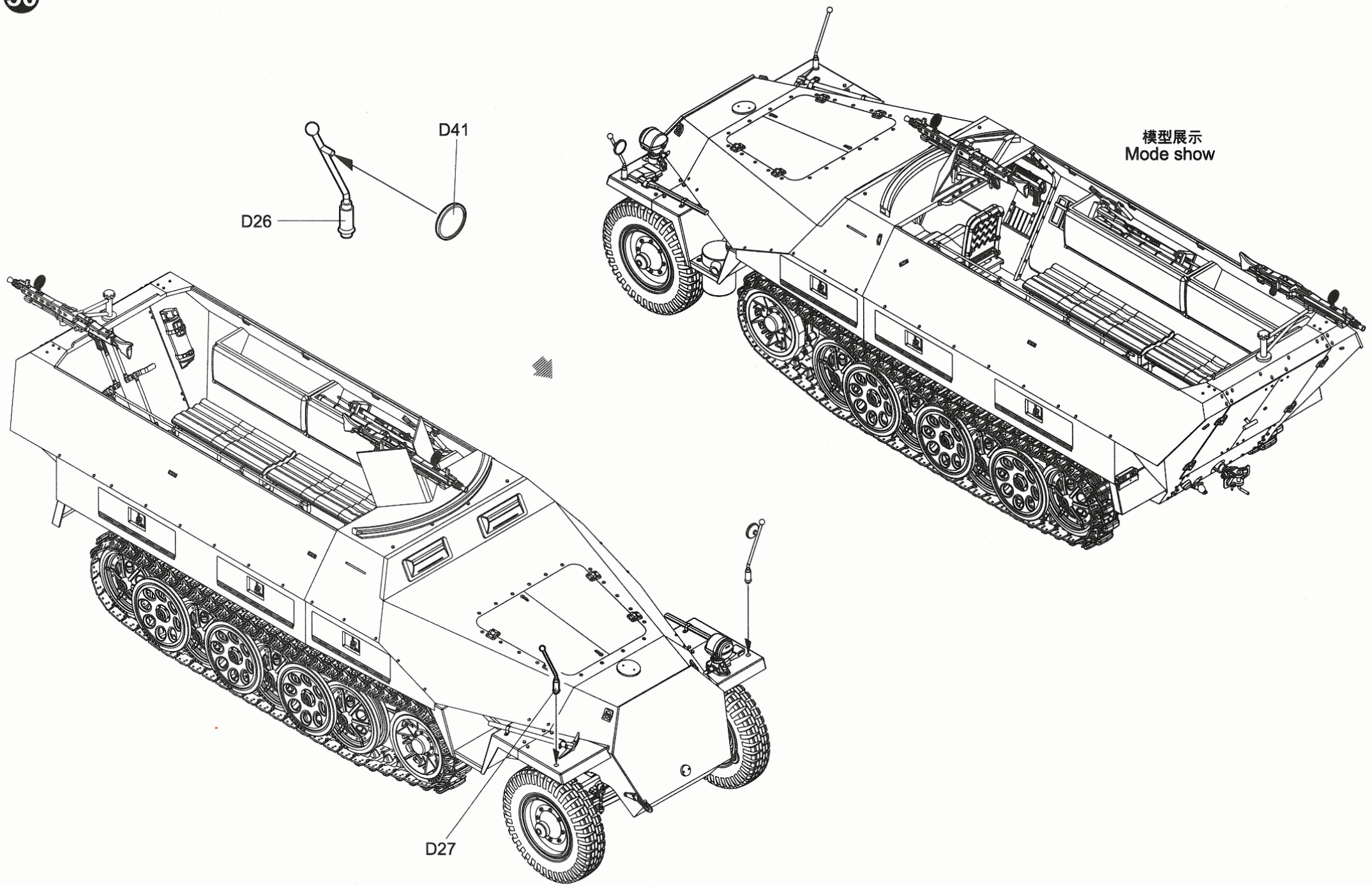
B15

PE-A15

制作2组
Make two



模型展示
Mode show

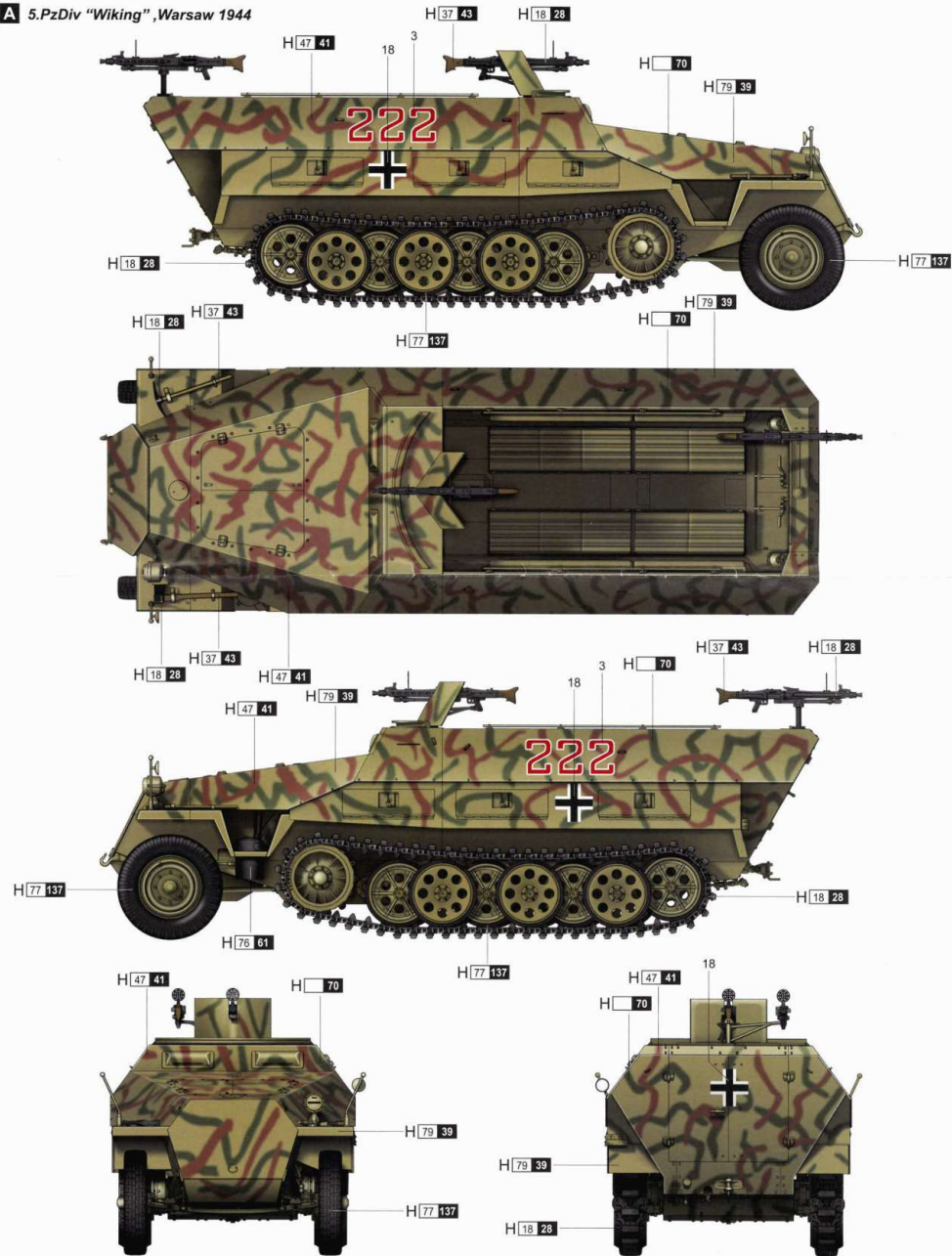


涂装同标贴指示
Painting & Marking guide

PAINT REFERENCE COLOR

Color	Mr.Hobby	Acrycion	Vallejo	Model Master	Tamiya	Humbrol	Color	Mr.Hobby	Acrycion	Vallejo	Model Master	Tamiya	Humbrol
Red Brown 红棕色	H 47 41	N 47	984	—	XF64	160	Wood Brown 木棕色	H 37 43	N 37	983	1701	—	186
Sandy Yellow (Dark Yellow) 砂黄色	H 79 39	N 79	824	—	XF59	93	Tire Black 胎黑色	H 77 137	N 77	—	—	—	XF85
Dark Green 战车绿	H 70	N 70	—	—	—	—	Steel 黑灰色	H 18 28	N 18	864	1402	—	XF84
Flat White 消光白	H 11 62	N 11	951	1768	XF2	34	Burnt Iron 锈灰色	H 76 61	N 76	863	1795	X10	53

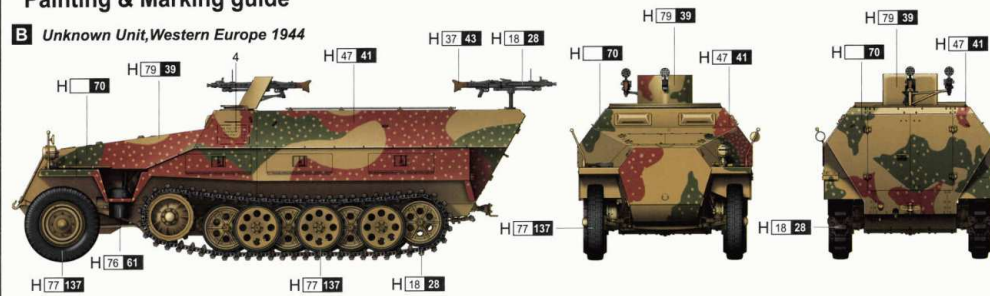
A 5.PzDiv "Wiking", Warsaw 1944



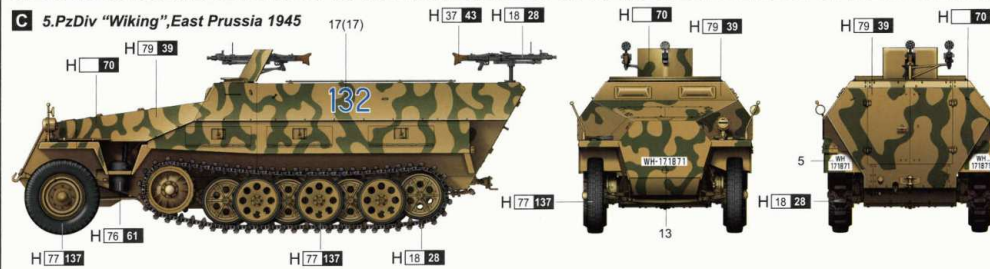
H AQUEOUS HOBBY COLOR ■ Mr. COLOR
N ACRYCION COLOR

涂装同标贴指示
Painting & Marking guide

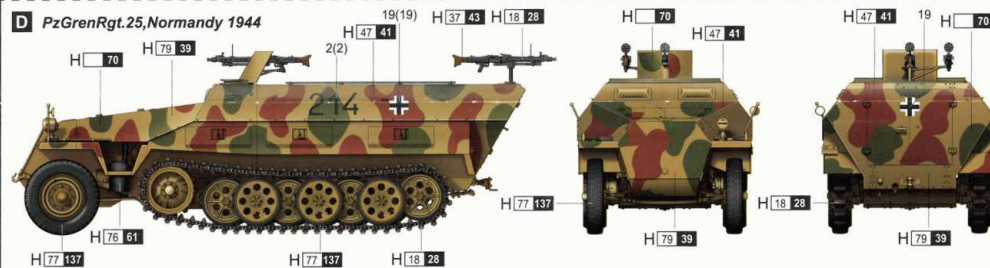
B Unknown Unit, Western Europe 1944



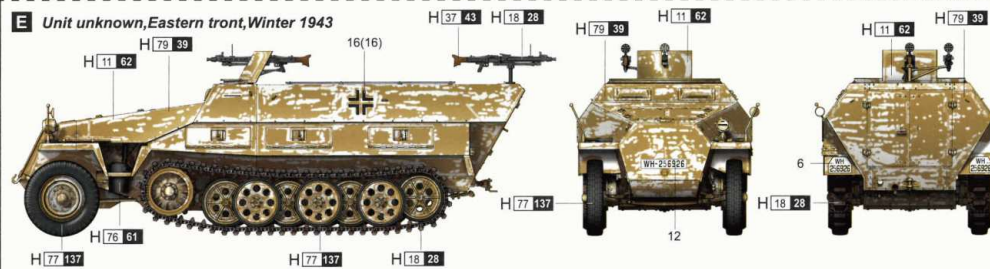
C 5.PzDiv "Wiking", East Prussia 1945



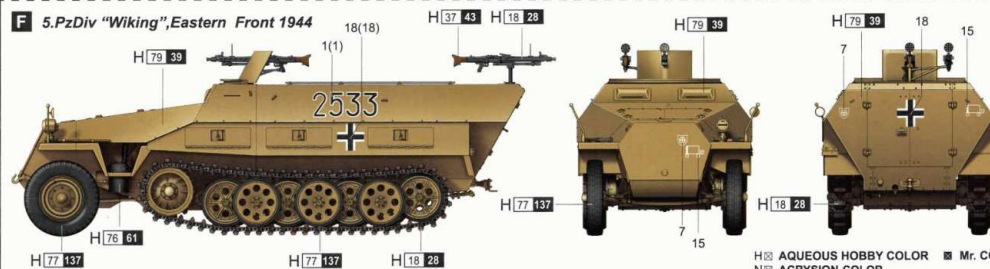
D PzGrenRgt.25, Normandy 1944



E Unit unknown, Eastern front, Winter 1943



F 5.PzDiv "Wiking", Eastern Front 1944



H AQUEOUS HOBBY COLOR
N ACRYSION COLOR