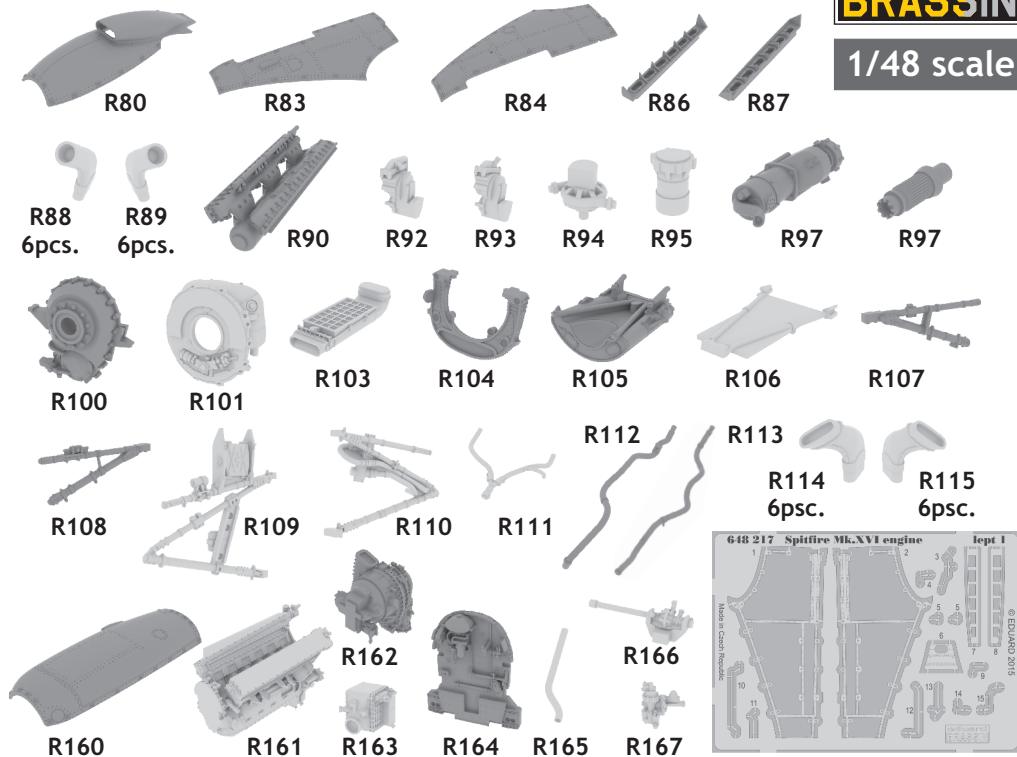


648 217 Spitfire Mk.XVI engine

For Eduard kit - pro stavěbnici Eduard



1/48 scale



COLOURS

| GSI Creos (GUNZE) | | Mr.METAL COLOR | |
|----------------------|----------------------|----------------|-----------------------|
| AQUEOUS | Mr.COLOR | | |
| H2 | C2 | BLACK | MC213 |
| H37 | C43 | WOOD BROWN | MC214 |
| H312 | C312 | GREEN | MC215 |
| | | | MC218 |
| | | | ALUMINIUM |

This product contains metal and resin detail parts for upgrading scale plastic models. When selecting this set make sure that it is for the kit mentioned in product name as these sets are made specifically for that kit. When upgrading the model some cutting or corrections may be necessary for parts to fit accurately. **WARNING!** This set contains small and sharp parts. Work carefully in a ventilated and well-lit room. Safety glasses are recommended. This product is not suitable for children below 14 years of age.

Tento výrobek obsahuje leptané a odlévané detaily pro úpravu a vylepšení plastického modelu. Při výběru sady kovových detailů zkontrolujte, zda je určena pro model, který chcete upravit. Model, pro který je sada určena, je uveden u názvu výrobku. Pro přesnou aplikaci kovových a odlévaných dílů může být zapotřebí upravit díly upravovaného modelu. **POZOR!** Sada obsahuje malé ostré díly. Pracujte ve větrané a dobře osvětlené místnosti. Doporučujeme použití ochranných brýlí. Tento výrobek není vhodný pro děti mladší 14 let.

eduard
435 21 Obrnice 170
Czech Republic
www.eduard.com



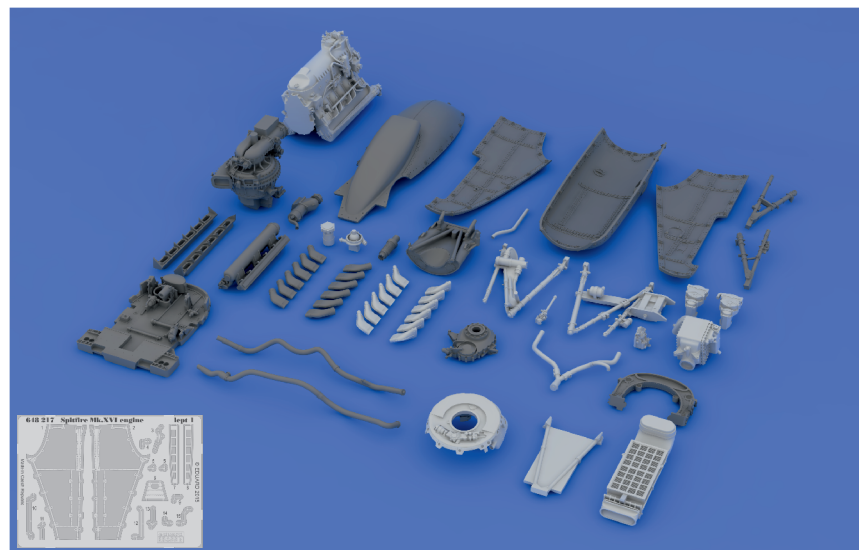
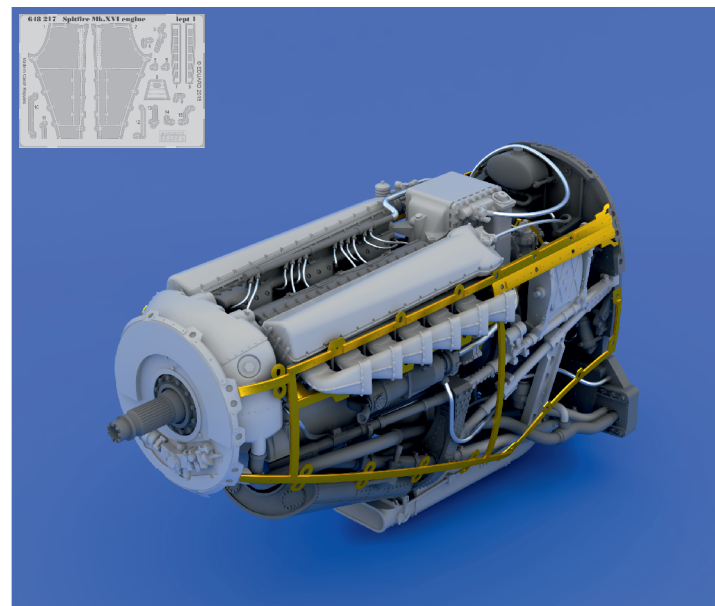
www.eduard.com



648 217 Spitfire Mk.XVI engine

For Eduard kit - pro stavěbnici Eduard

1/48

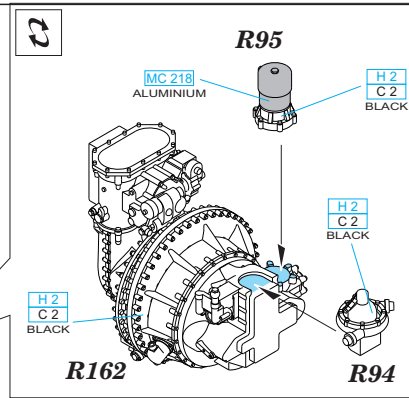
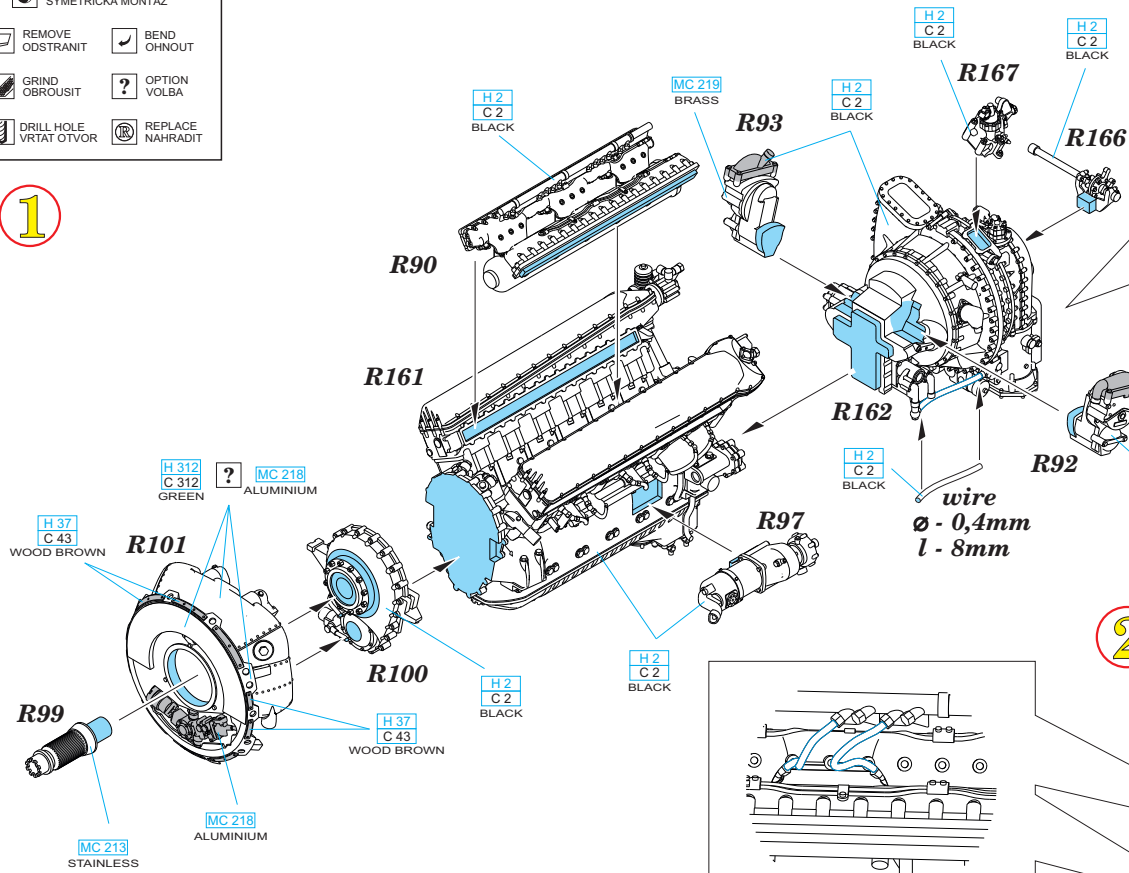


BEST BRASS RESIN AROUND!

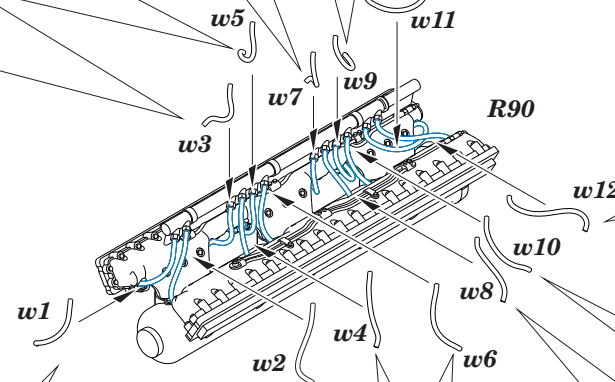
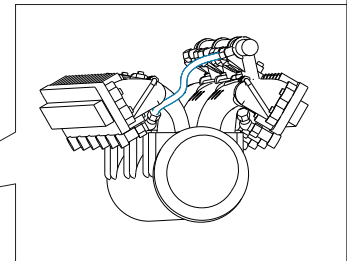
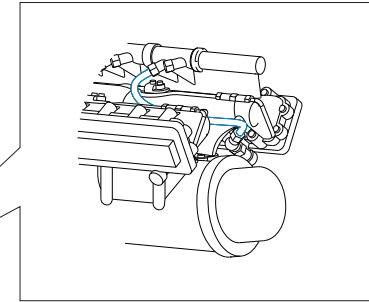
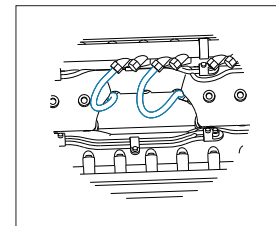
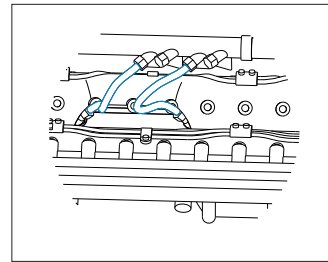
SYMMETRICAL ASSEMBLY
SYMETRICKÁ MONTÁŽ

-  REMOVE
ODSTRANIT
-  BEND
OHNOUT
-  GRIND
OBROUSIT
-  OPTION
VOLBA
-  DRILL HOLE
VRTAT OTVOR
-  REPLACE
NAHRADIT

1



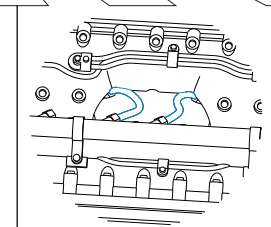
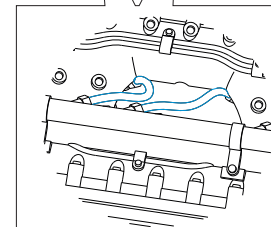
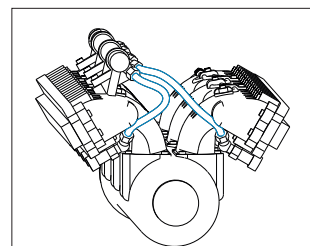
2



wires $\varnothing - 0,2mm$

MC 213
STAINLESS

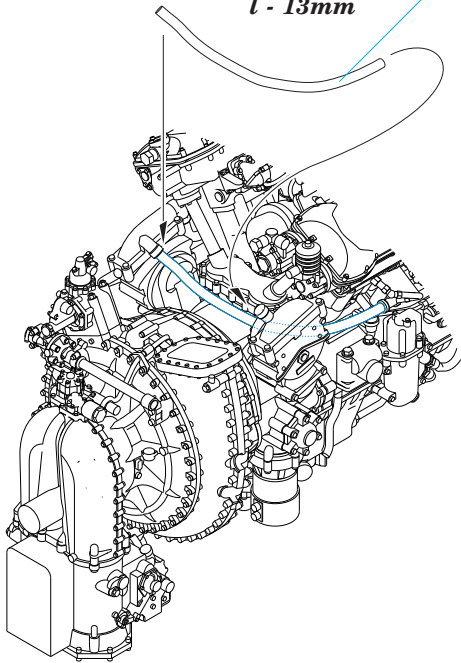
- | | |
|------------|-------------|
| w1 l - 4mm | w7 l - 4mm |
| w2 l - 5mm | w8 l - 4mm |
| w3 l - 3mm | w9 l - 4mm |
| w4 l - 4mm | w10 l - 4mm |
| w5 l - 5mm | w11 l - 6mm |
| w6 l - 4mm | w12 l - 5mm |



3

wire
Ø - 0,5mm
l - 13mm

MC 213
STAINLESS



4

R88 ? R114
6 pcs.

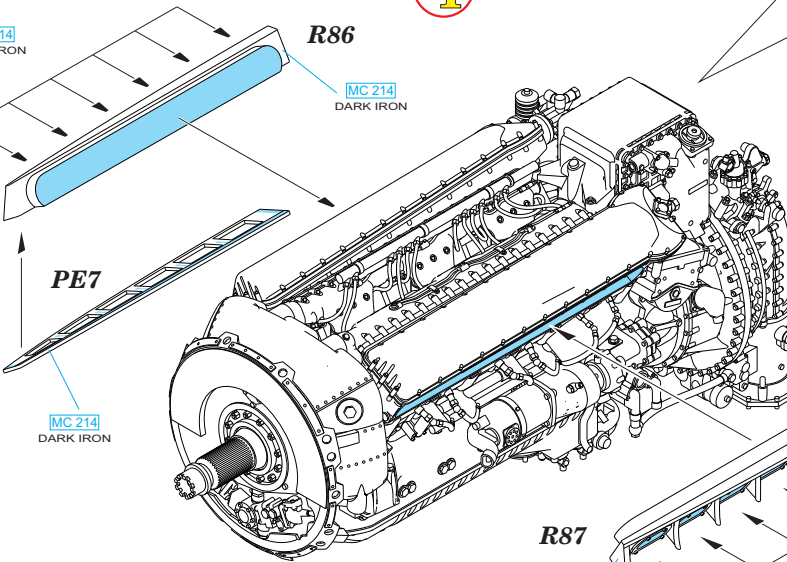
MC 214
DARK IRON

R86

MC 214
DARK IRON

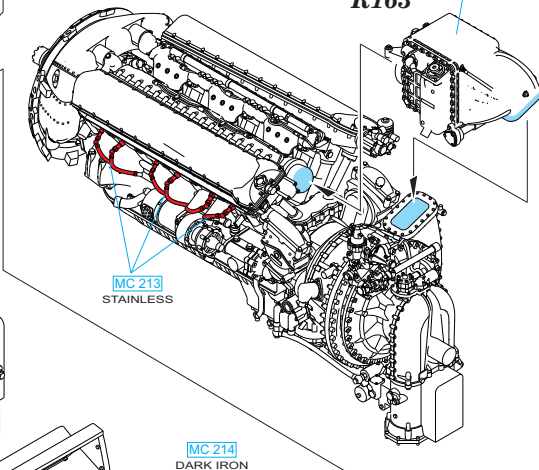
PE7

MC 214
DARK IRON



R163

H2
C2
BLACK



MC 213
STAINLESS

MC 214
DARK IRON

R87

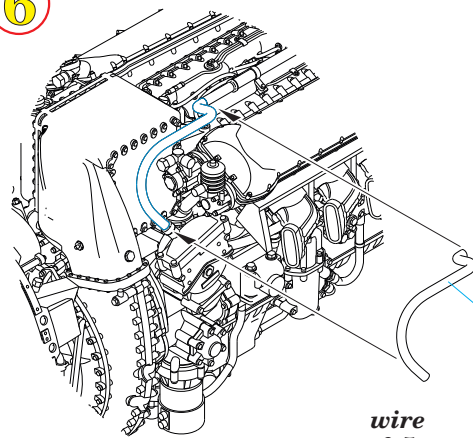
R89 ? R115
6 pcs.

MC 214
DARK IRON

7

2

6

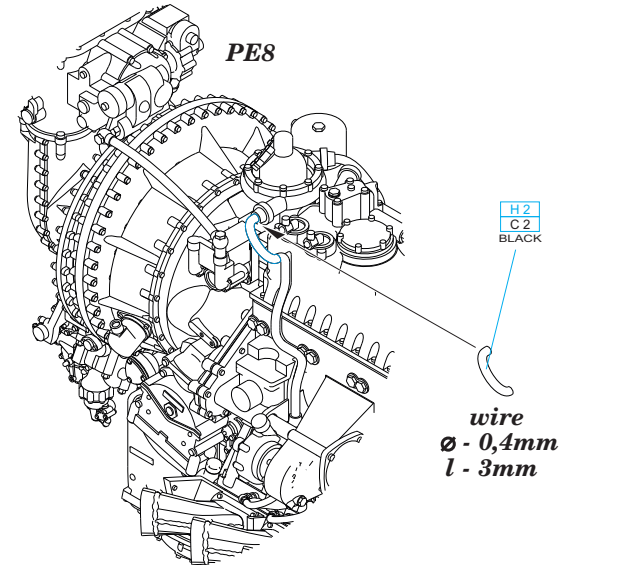


MC 213
STAINLESS

wire
Ø - 0,5mm
l - 12mm

PE8

H2
C2
BLACK



wire
Ø - 0,4mm
l - 3mm

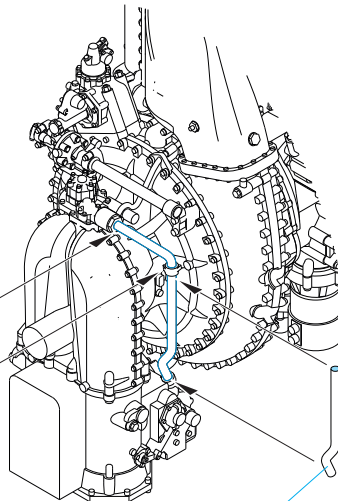
5

wire
Ø - 0,4mm
l - 4mm

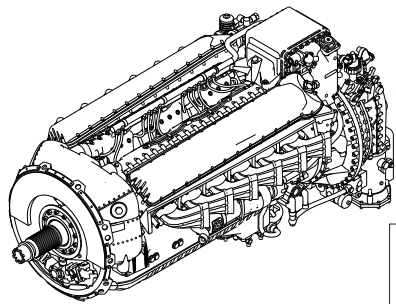
H2
C2
BLACK

wire
Ø - 0,4mm
l - 7mm

H2
C2
BLACK



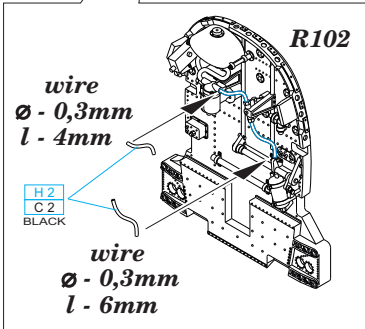
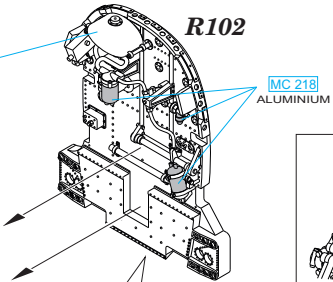
8



H 312
C 312
GREEN

?

MC 218
ALUMINIUM



wire
Ø - 0,3mm
l - 4mm

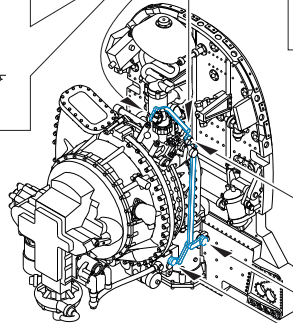
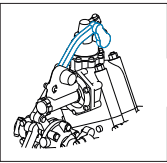
H 2
C 2
BLACK

wire
Ø - 0,3mm
l - 6mm

9

MC 213
STAINLESS

PE11

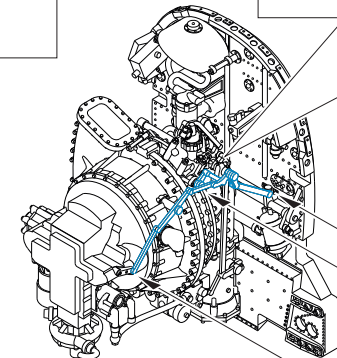
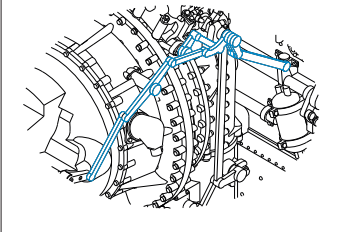


PE12

PE14

MC 213
STAINLESS

10



MC 213
STAINLESS

PE3

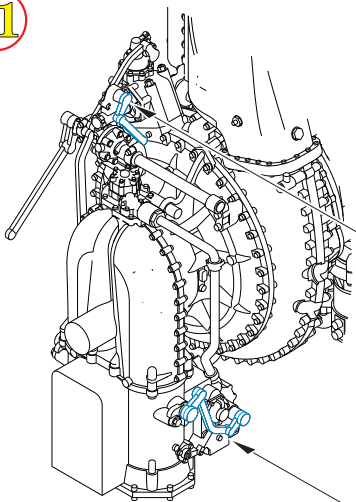
PE4

MC 213
STAINLESS

PE13

PE5

11



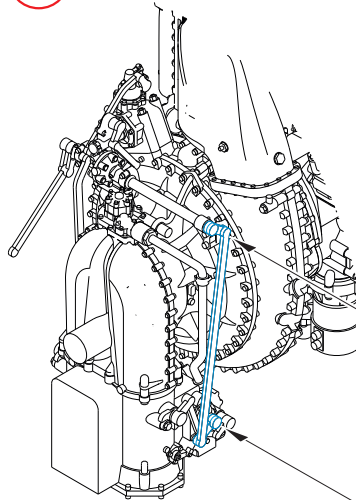
PE9

MC 213
STAINLESS

PE15

MC 213
STAINLESS

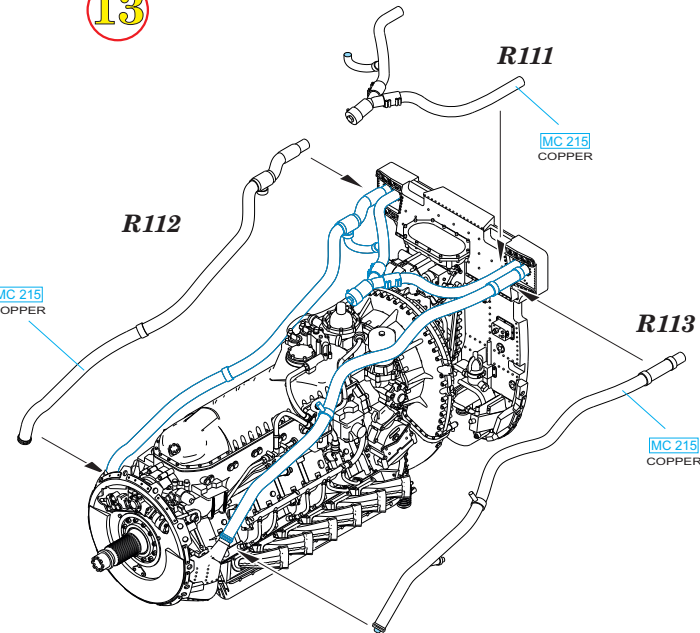
12



PE10

MC 213
STAINLESS

13



R111

MC 215
COPPER

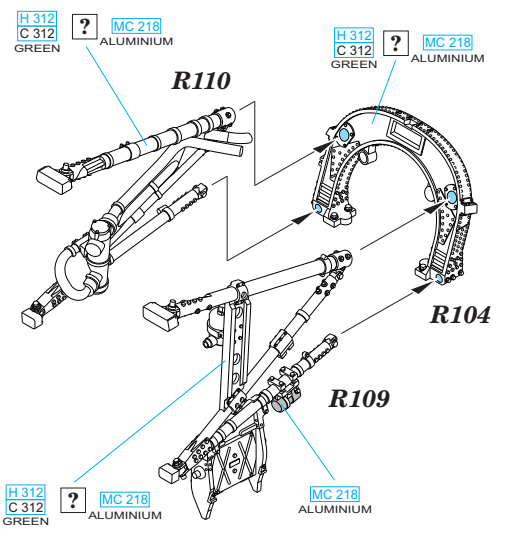
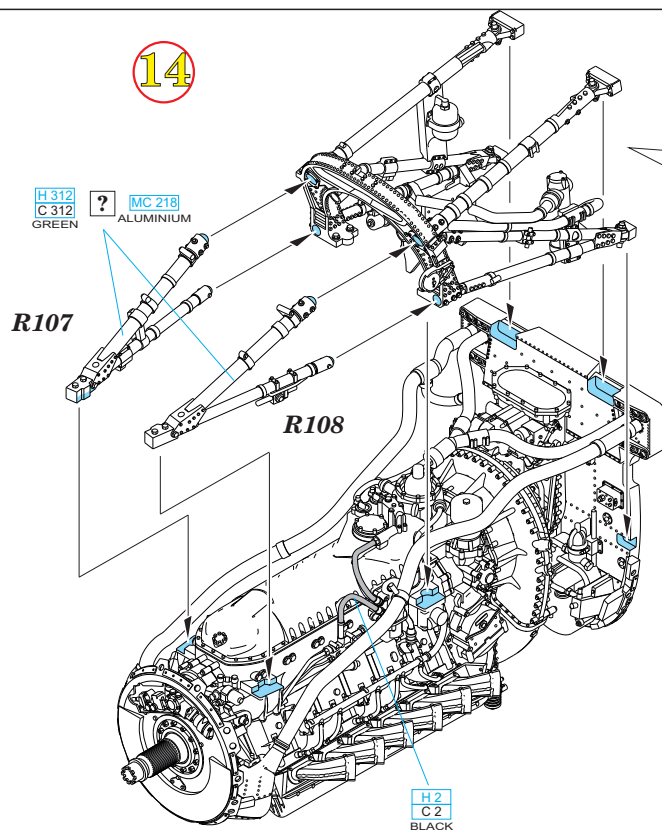
R112

MC 215
COPPER

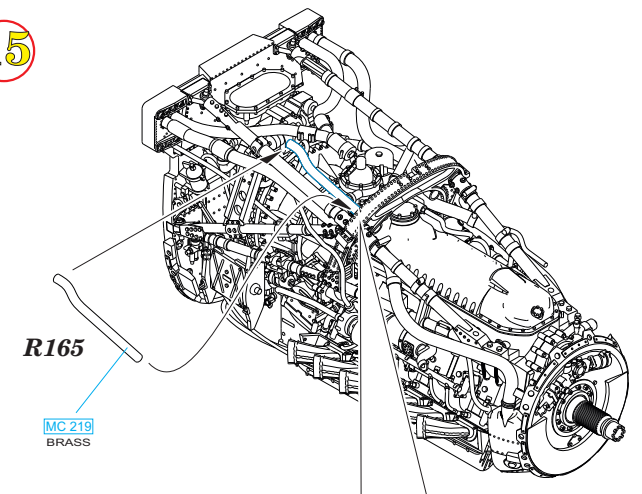
R113

MC 215
COPPER

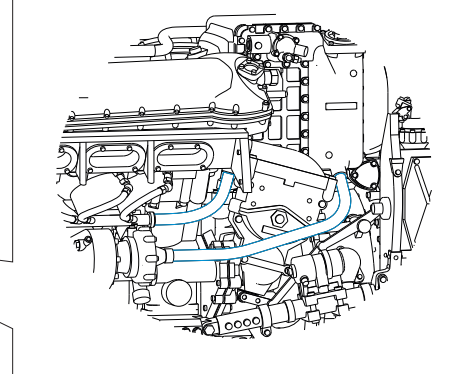
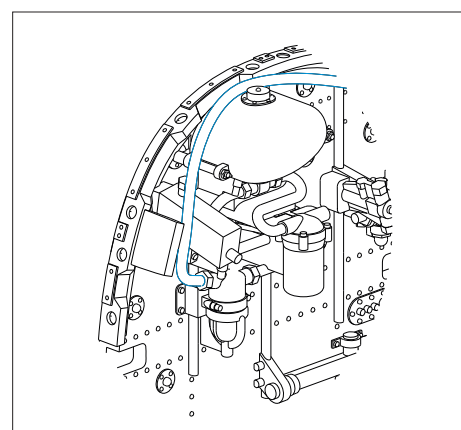
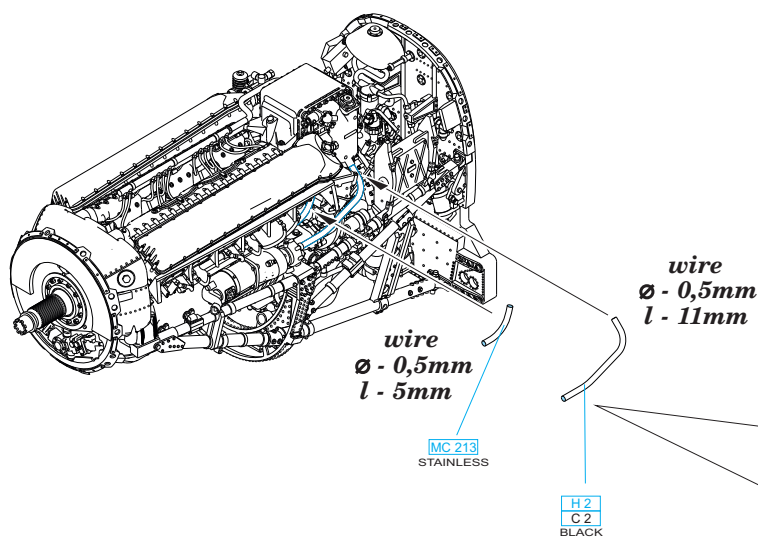
14



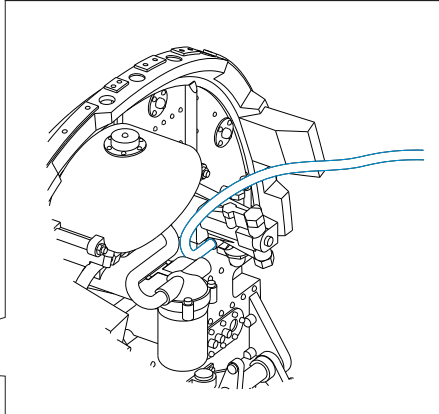
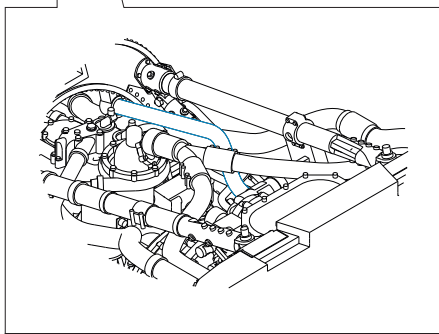
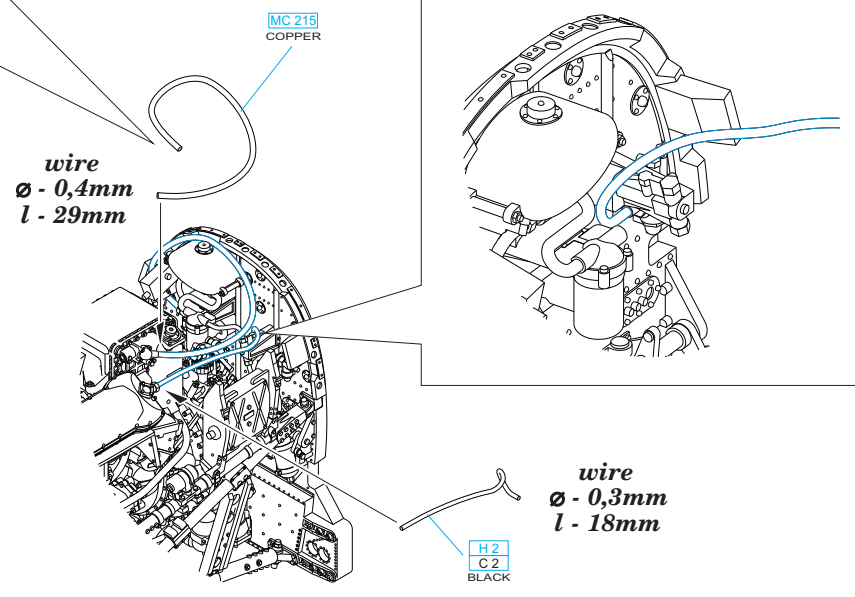
15



16



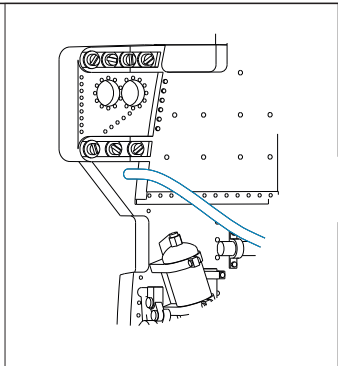
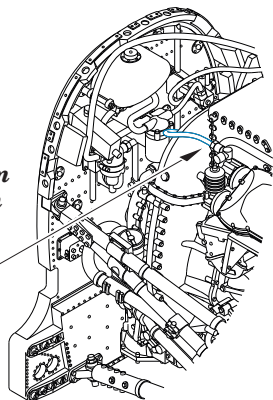
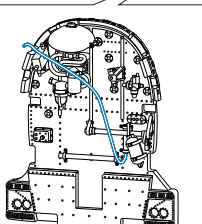
17



18

H2
C2
BLACK

wire
Ø - 0,3mm
l - 25mm

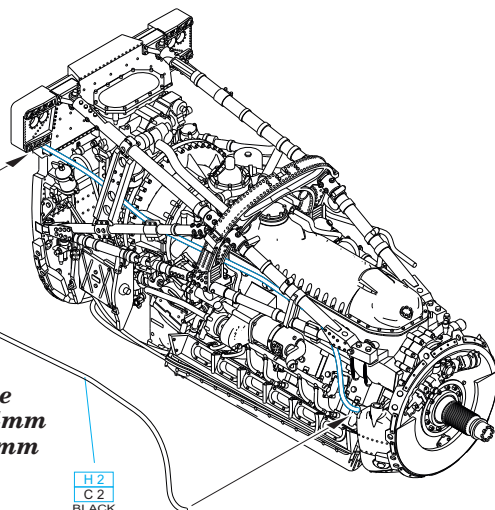


19

?

wire
Ø - 0,4mm
l - 43mm

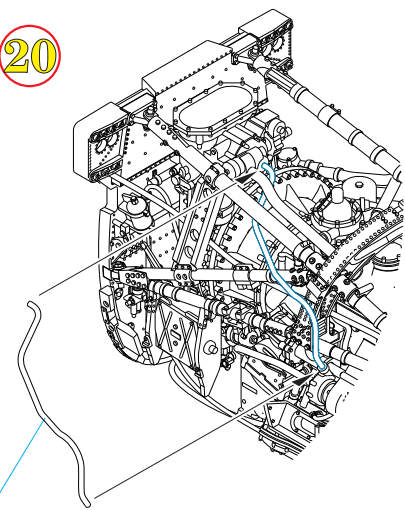
H2
C2
BLACK



20

H2
C2
BLACK

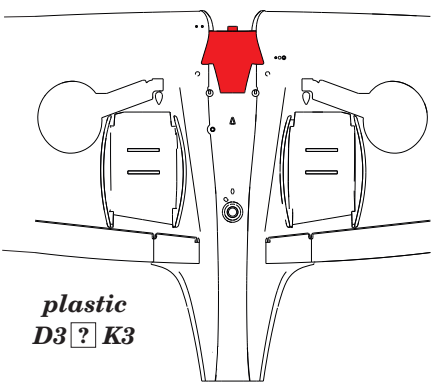
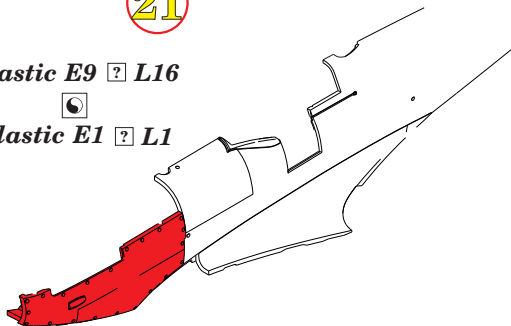
wire
Ø - 0,4mm
l - 22mm



21

plastic E9 ? L16

plastic E1 ? L1



plastic
D3 ? K3

22

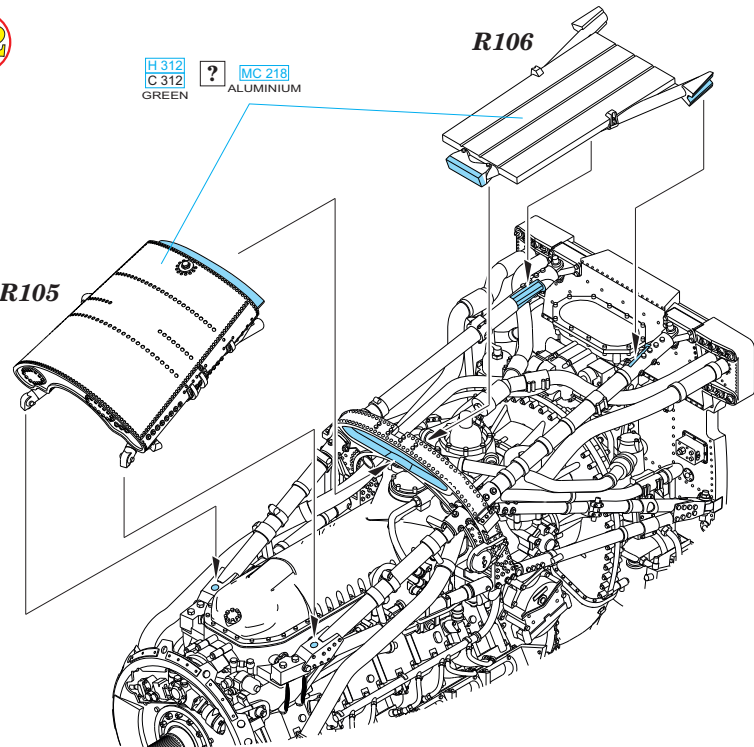
H312
C312
GREEN

?

MC 218
ALUMINIUM

R106

R105

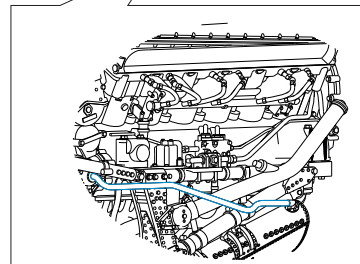
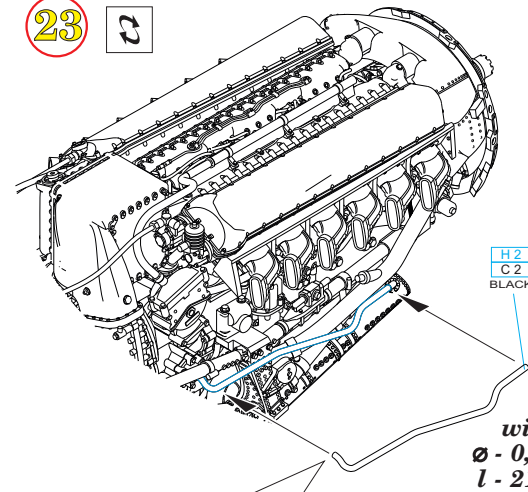


23

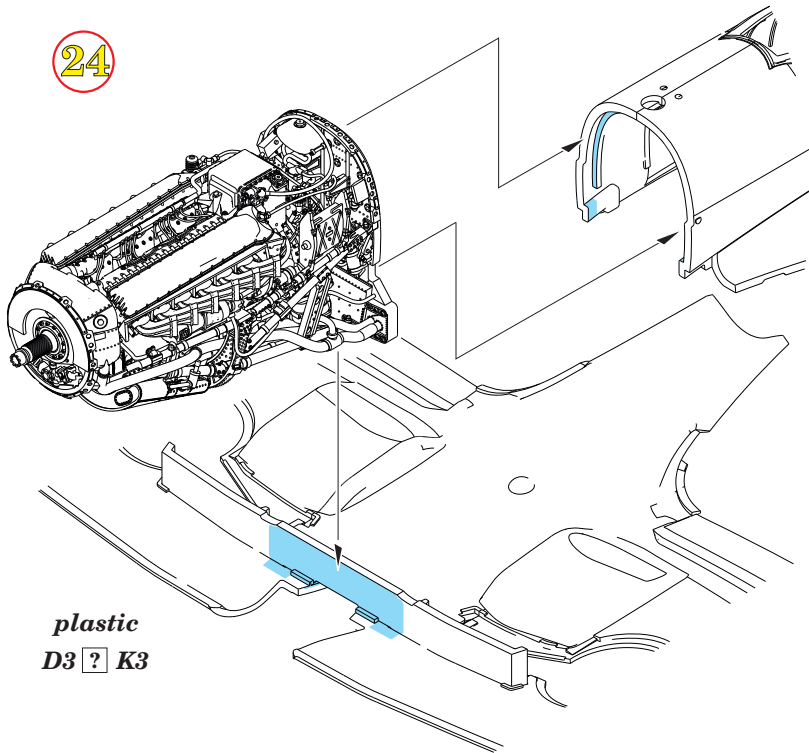
?

H2
C2
BLACK

wire
Ø - 0,4mm
l - 21mm

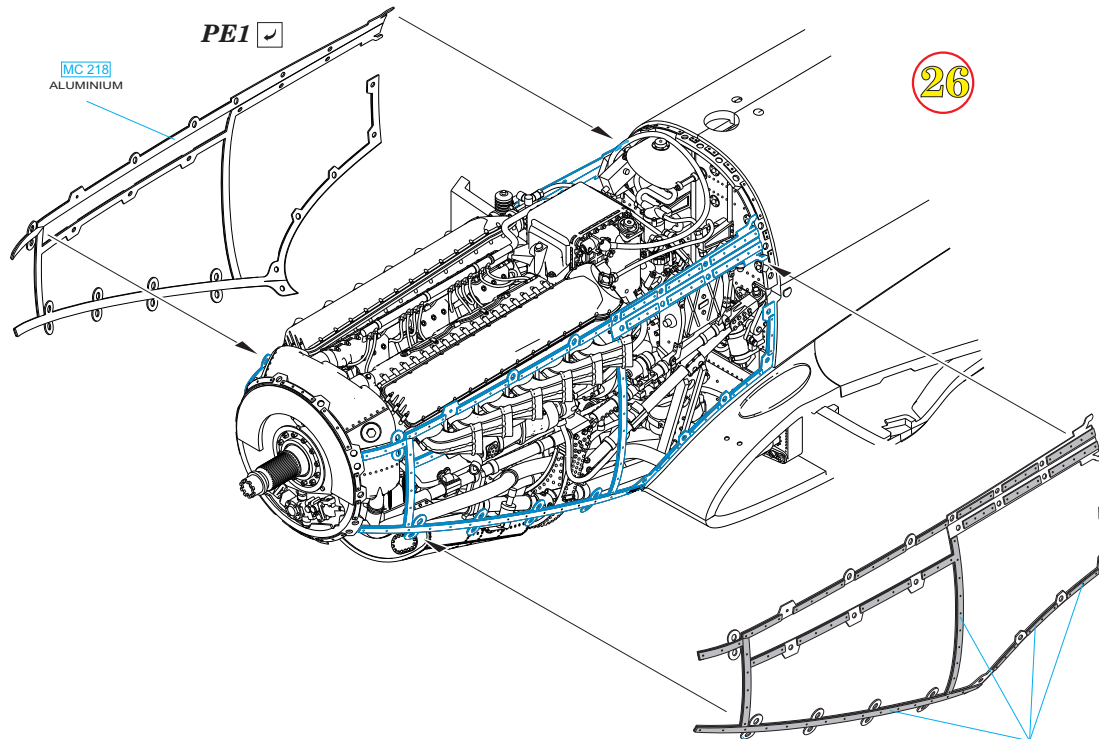


24



plastic
D3 ? K3

plastic
E9+E1
? plastic
L16+L1



26

PE1 ✓

MC 218
ALUMINIUM

PE2 ✓

H 37
C 43
WOOD BROWN

MC 218
ALUMINIUM

H 312
C 312
GREEN

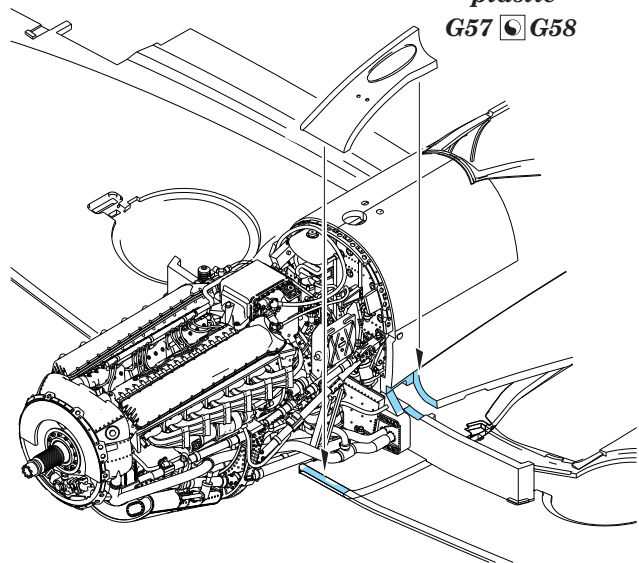
?

MC 218
ALUMINIUM

CAMOUFLAGE
COLOR

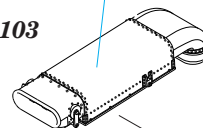
PE6

25

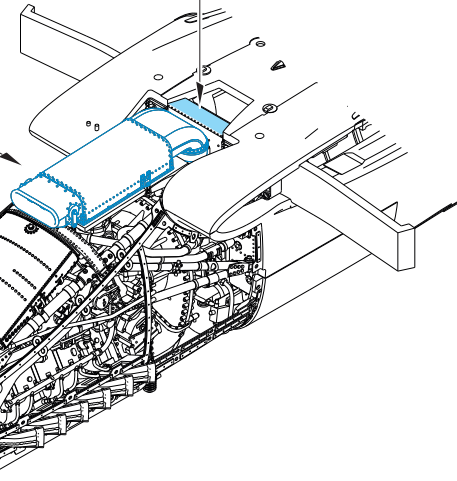


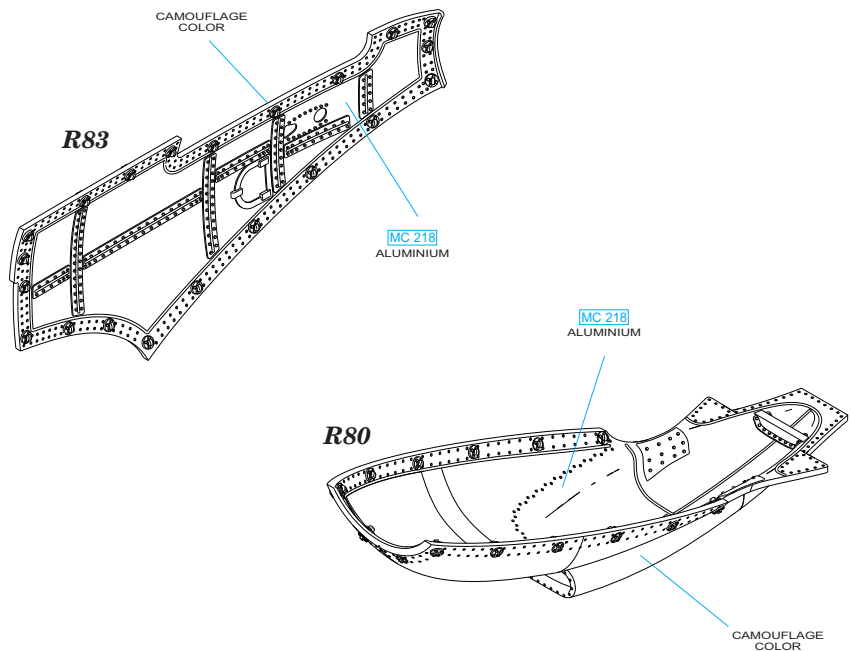
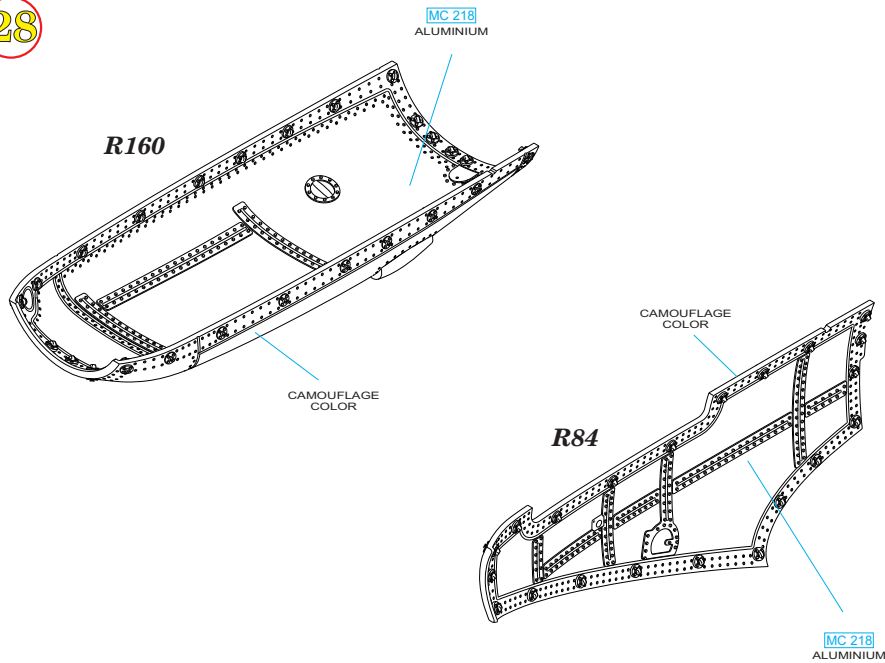
plastic
G57 G58

R103



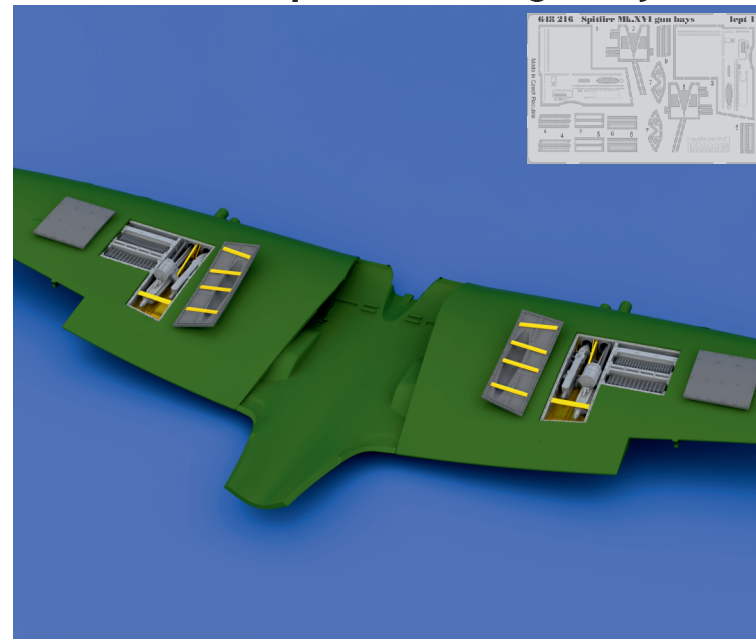
27





RELATED PRODUCTS

648 216 Spitfire Mk.XVI gun bays



648 218 Spitfire Mk.XVI wheels - 3 spokes

