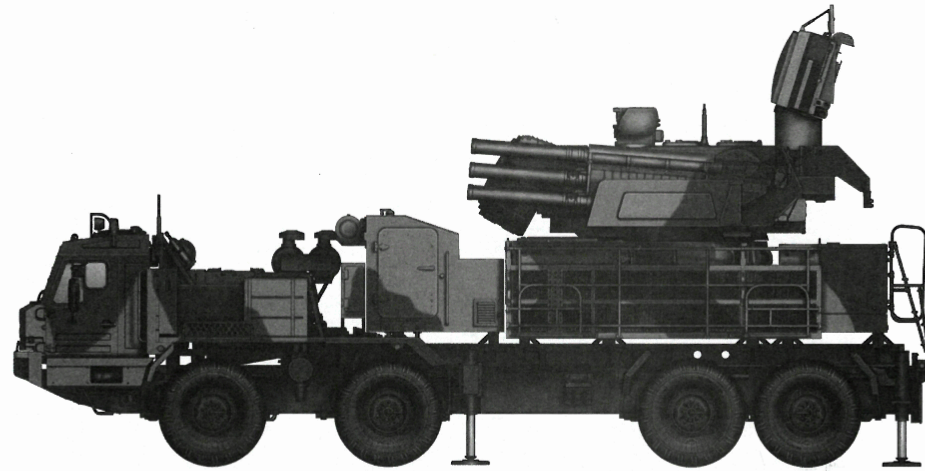


1/35 SCALE

ITEM NO.:01087



# 72V6 of 96k6 Pantsir-S1 SPAAGM BAZ-6909

俄罗斯BAZ-6909卡车96K6式“铠甲”-S1防空系统

WSM

### READ BEFORE ASSEMBLY:

- This kit is not recommended for inexperienced modelers or for children under 14 years of age
- Study and understand these instructions thoroughly before beginning assembly
- When needed, remove photo-etch parts carefully using a modeling knife or photo etch sprue cutter, being careful not to damage or lose small parts.
- Take extra care in handling photo etch parts in order to avoid injury
- Apply instant cement sparingly to photo etch parts where instructed

- Tools recommended(not included in kit):Plastic and instant cements,sprue cutters,long nose pliers,modeling knife, small files, tweezers, pin vise & scissors. Soft cloth and sandpaper will also assist in construction
- Glue and paint are not included in the kit. Use plastic cement and hobby paints only. Color guide for purchasing paint is included in the kit.
- Keep out of reach of children. They must not be allowed to ingest small parts or handle plastic bags in any way.

### 装配之前仔细阅读

- 小心用模型锉刀锉平所有零件表面的注射浇口。
- 小心用刀片切下蚀刻片零件，不要遗失小零件。
- 用强力快干胶水粘合蚀刻片零件和金属轴。过量的快干胶水使用可能导致可动零件会粘住，小心涂胶。
- 取蚀刻片时应特别注意安全，防止利边划伤手指。
- 某些零件表面需贴上水贴纸，请选择在装配的同时进行。
- 推荐模型工具(自备)：胶水，水口剪刀，长咀钳，刀片，锉刀，镊子钳，钻，剪刀，瞬间快干胶。
- 软布同砂纸同时也是所需工具。
- 请使用塑料胶水和油漆，模型内不含。
- 谨防小孩吸吮塑料零件，或者将塑料袋套在头上，制作时应将套材远离小孩接触。
- 本产品不适合14岁以下没有经验的模型爱好者。

\* 说明书中含有重要信息，应保留。 Please Keep instruction since it contains important information.

### 水贴纸的使用:

1. 从水贴纸上剪下印花;
2. 将印花放入温水中浸10秒，然后放在干净布上。
3. 拿着印花纸板将印花移到模型上;
4. 手指蘸水将印花移到适当的位置;
5. 用软布轻压印花直至水干，气泡消失。

### DECAL APPLICATION:

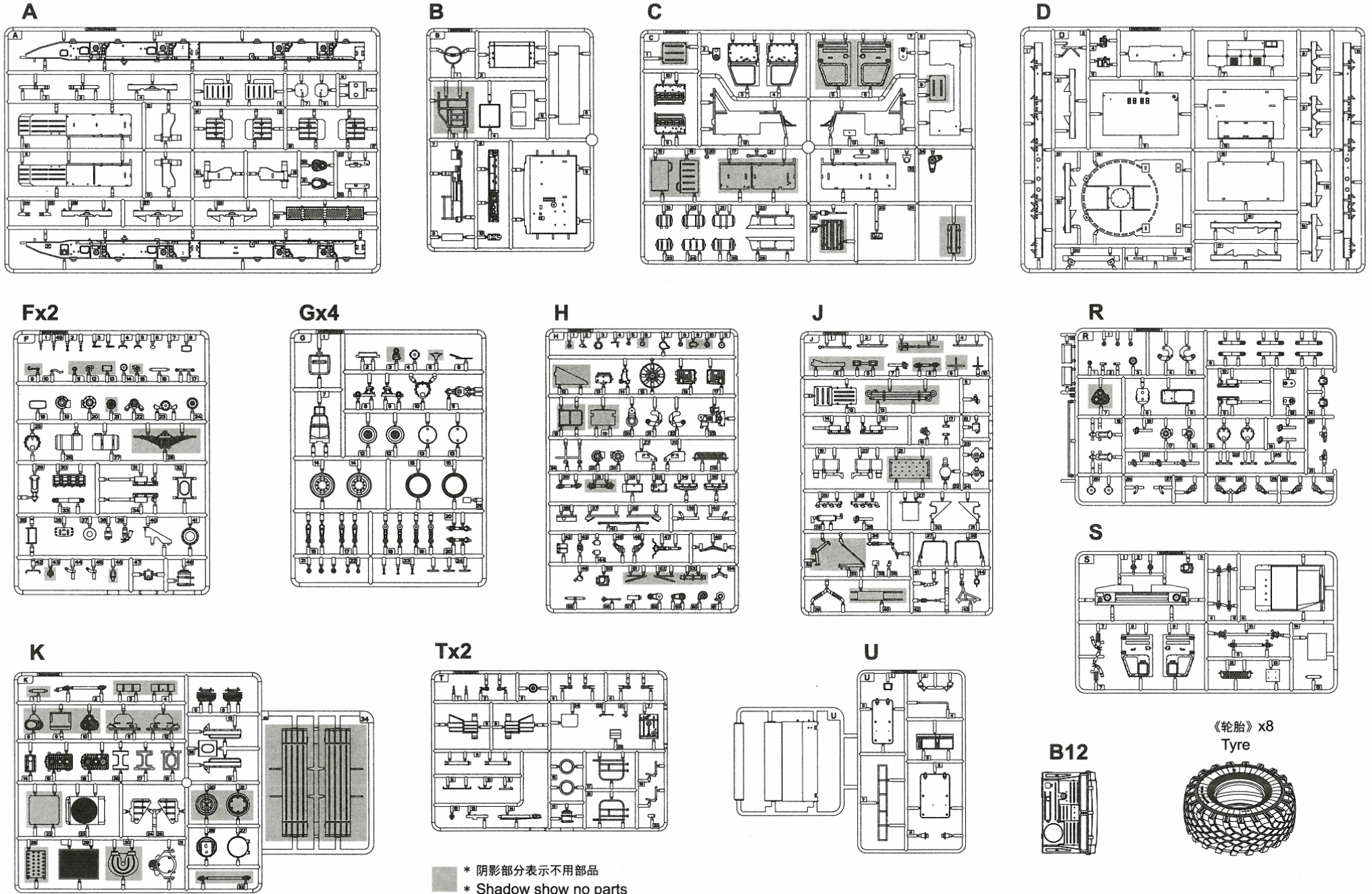
1. Cut decals from sheet as needed
2. Dip the decal in warm water for about 10 seconds and then place on soft clean cloth.
3. Hold the decal backing sheet edge and gently slide the decal onto the model in its proper position.

4. While still wet, decal can be adjusted for better fit on model by dampening it gently with your finger.
5. When placed in the proper position, gently press decal down with a soft cloth until excess water and air bubbles are gone.
6. Allow decal to dry completely before handling model



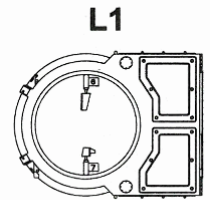
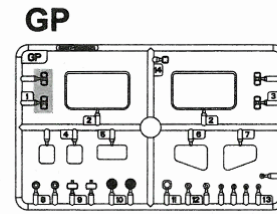
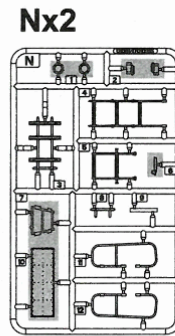
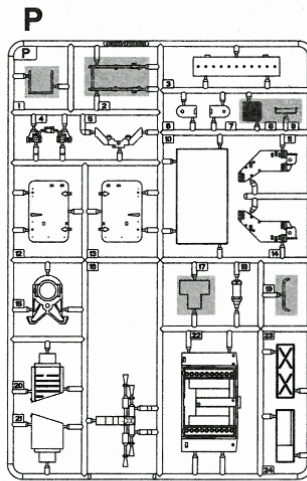
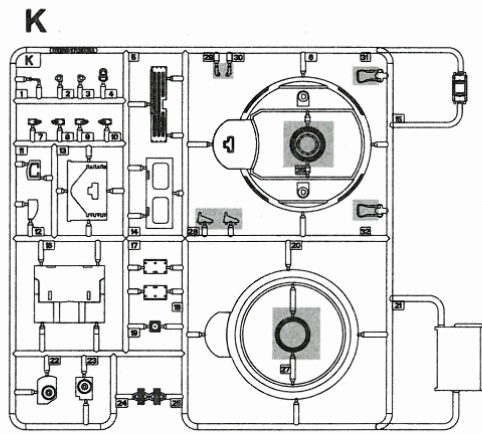
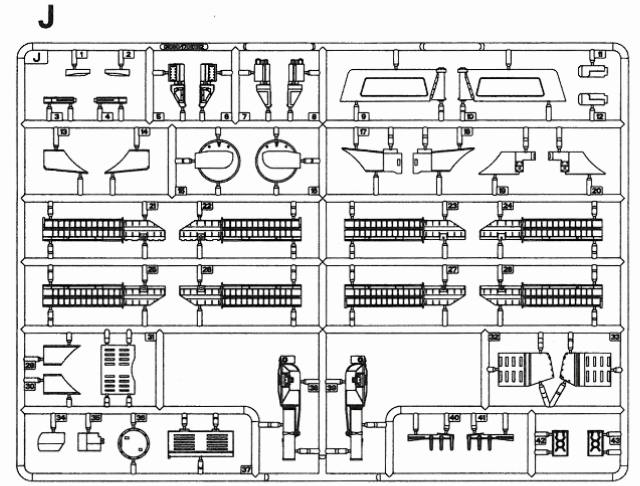
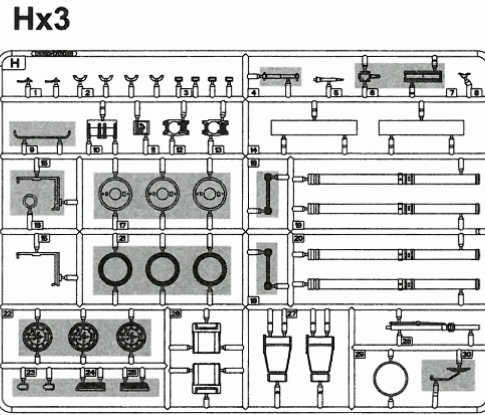
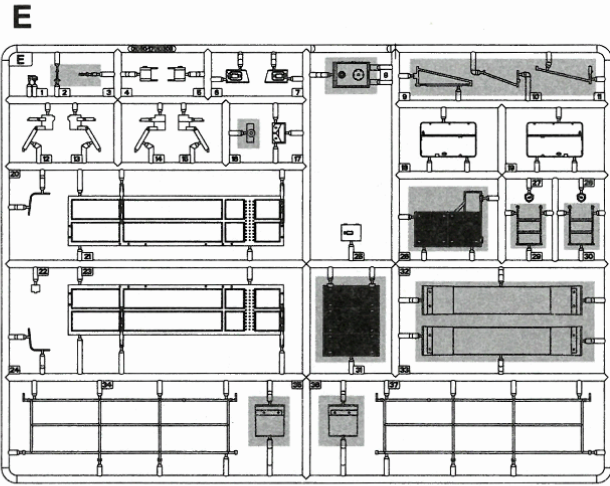


# 部品图 Parts





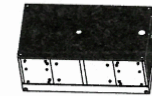
# 部品图 Parts



《水贴纸》  
Decal



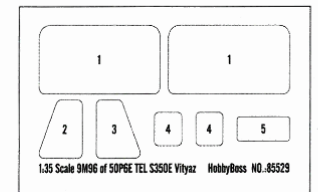
Q16



L3

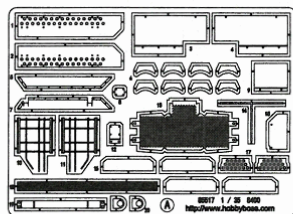


《遮盖纸》  
Die-cut mask

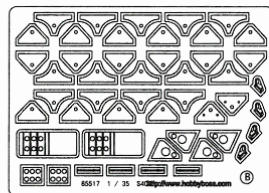


\* 阴影部分表示不用部品  
\* Shadow show no parts

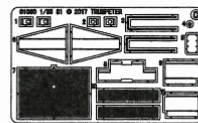
《蚀刻片》-A  
PE-A



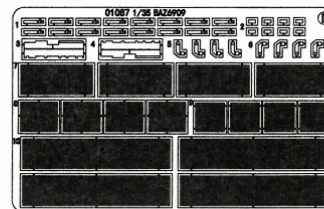
《蚀刻片》-B  
PE-B



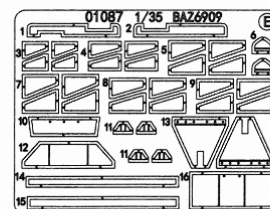
《蚀刻片》-C  
PE-C



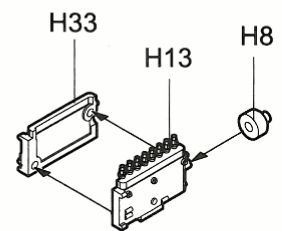
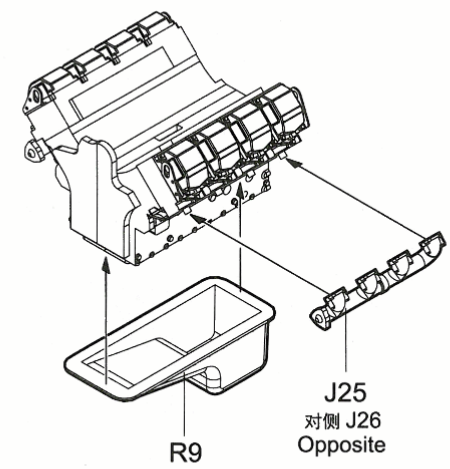
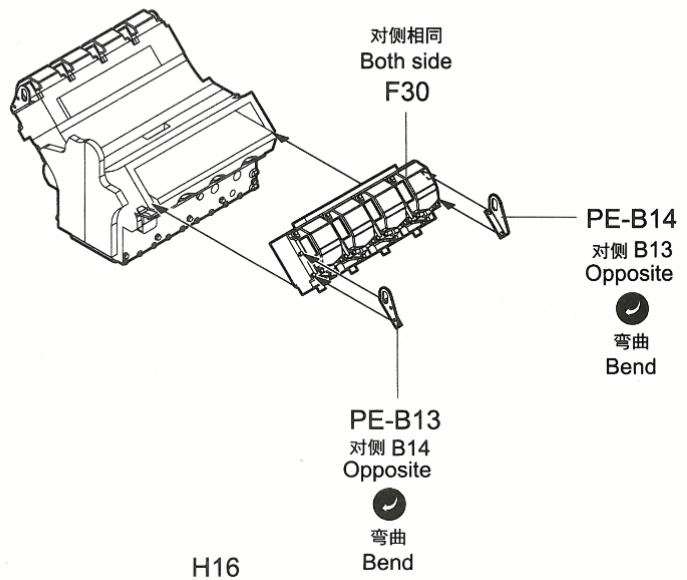
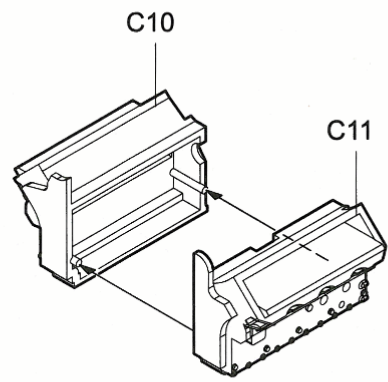
《蚀刻片》-D  
PE-D



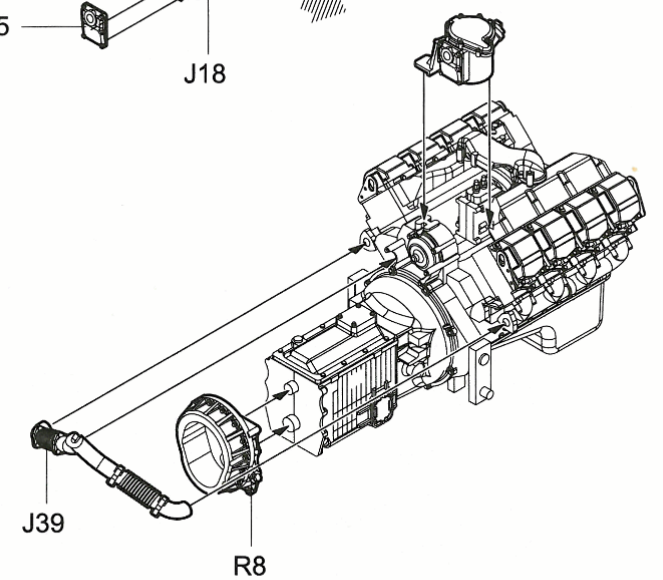
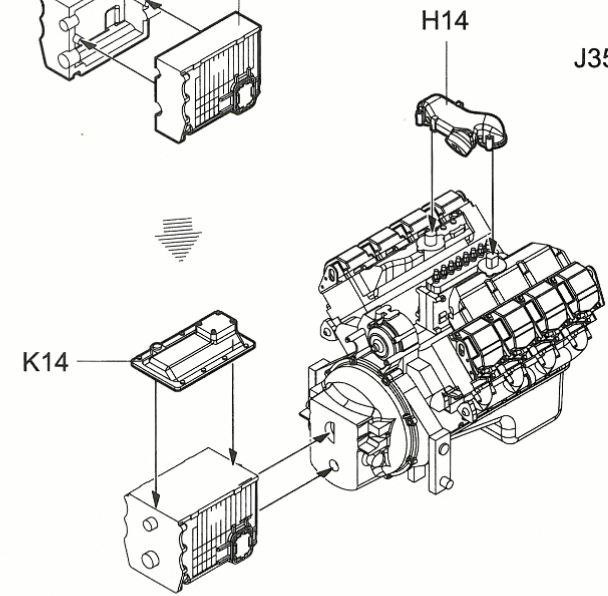
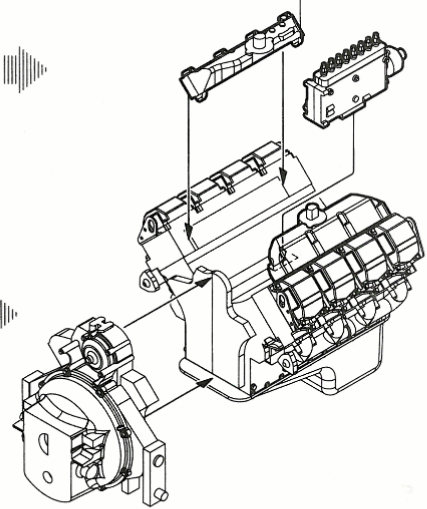
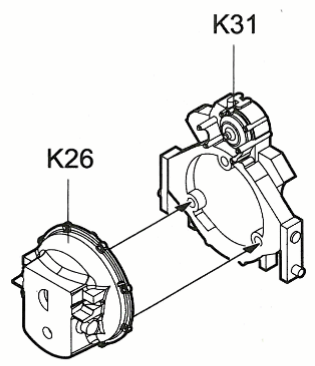
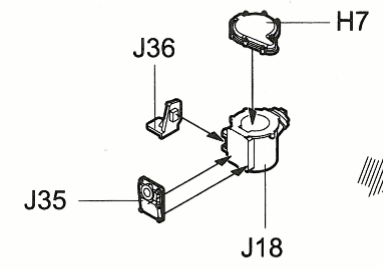
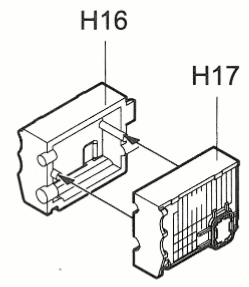
《蚀刻片》-E  
PE-E



1



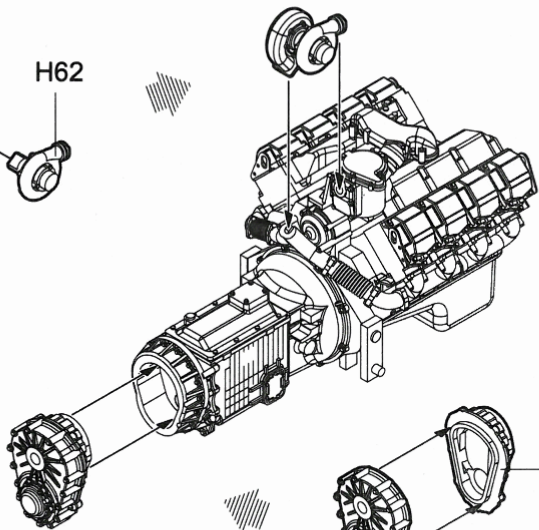
对侧 H35  
Opposite  
H34





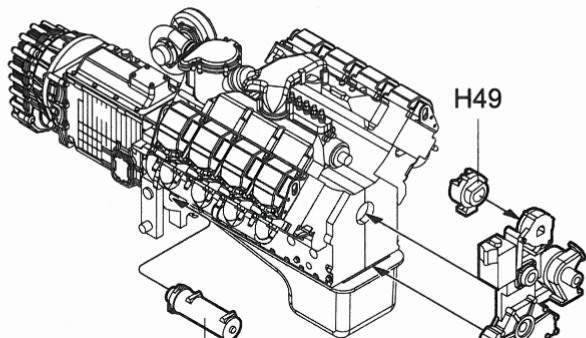
2

H61  
H62

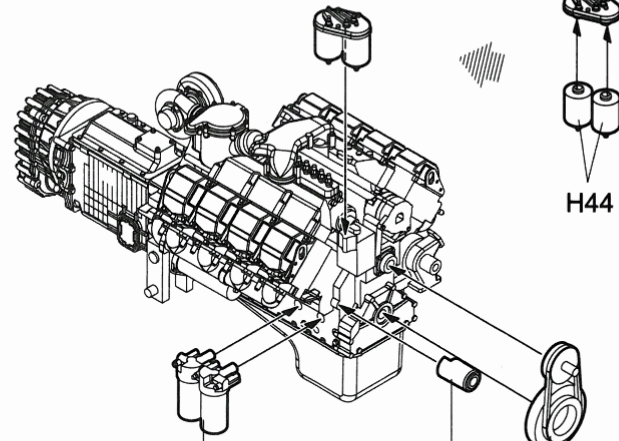


A20  
A21

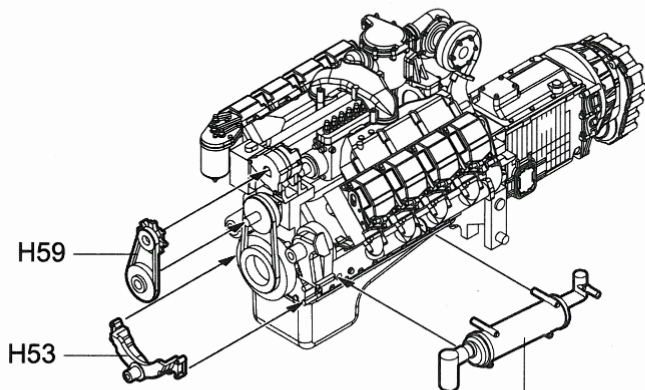
H49  
H23  
H58



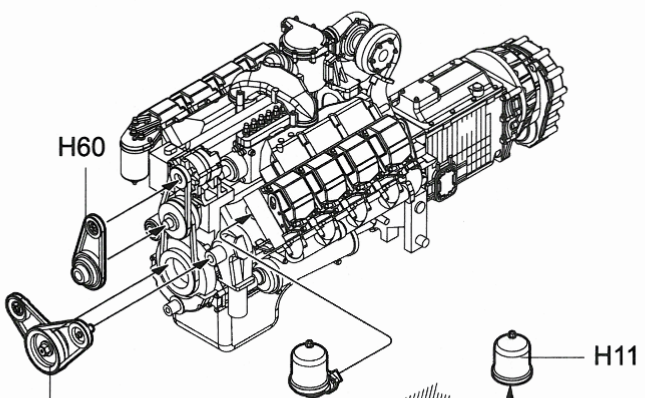
H43  
H44  
H42  
C30  
H20



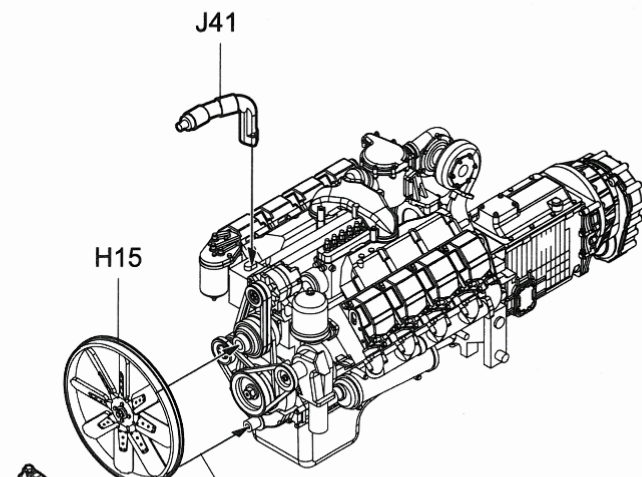
H59  
H53  
J28



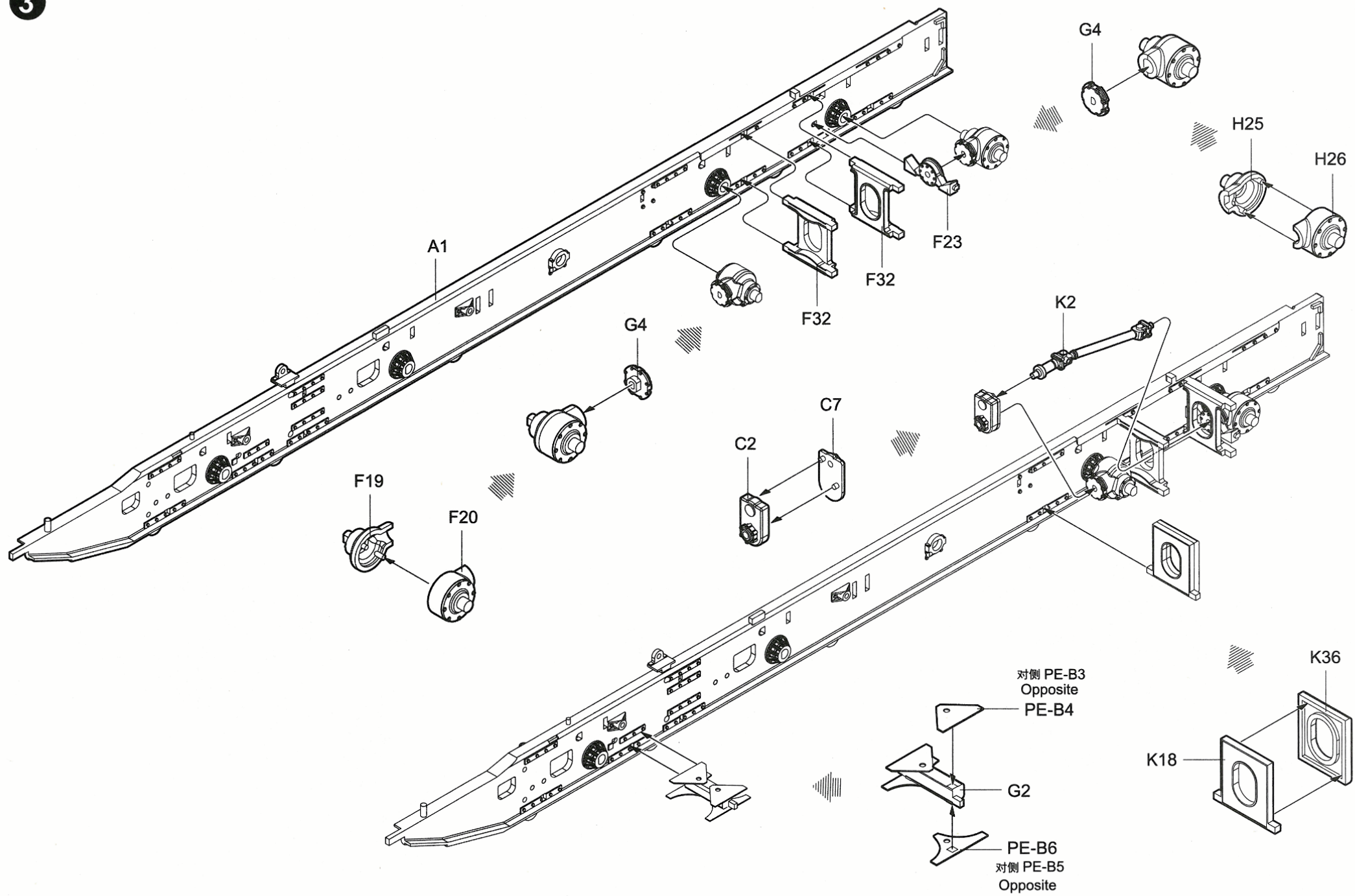
H60  
C34  
H11  
J11



J41  
H15  
H48  
不涂胶水  
No cement  
《A-A》

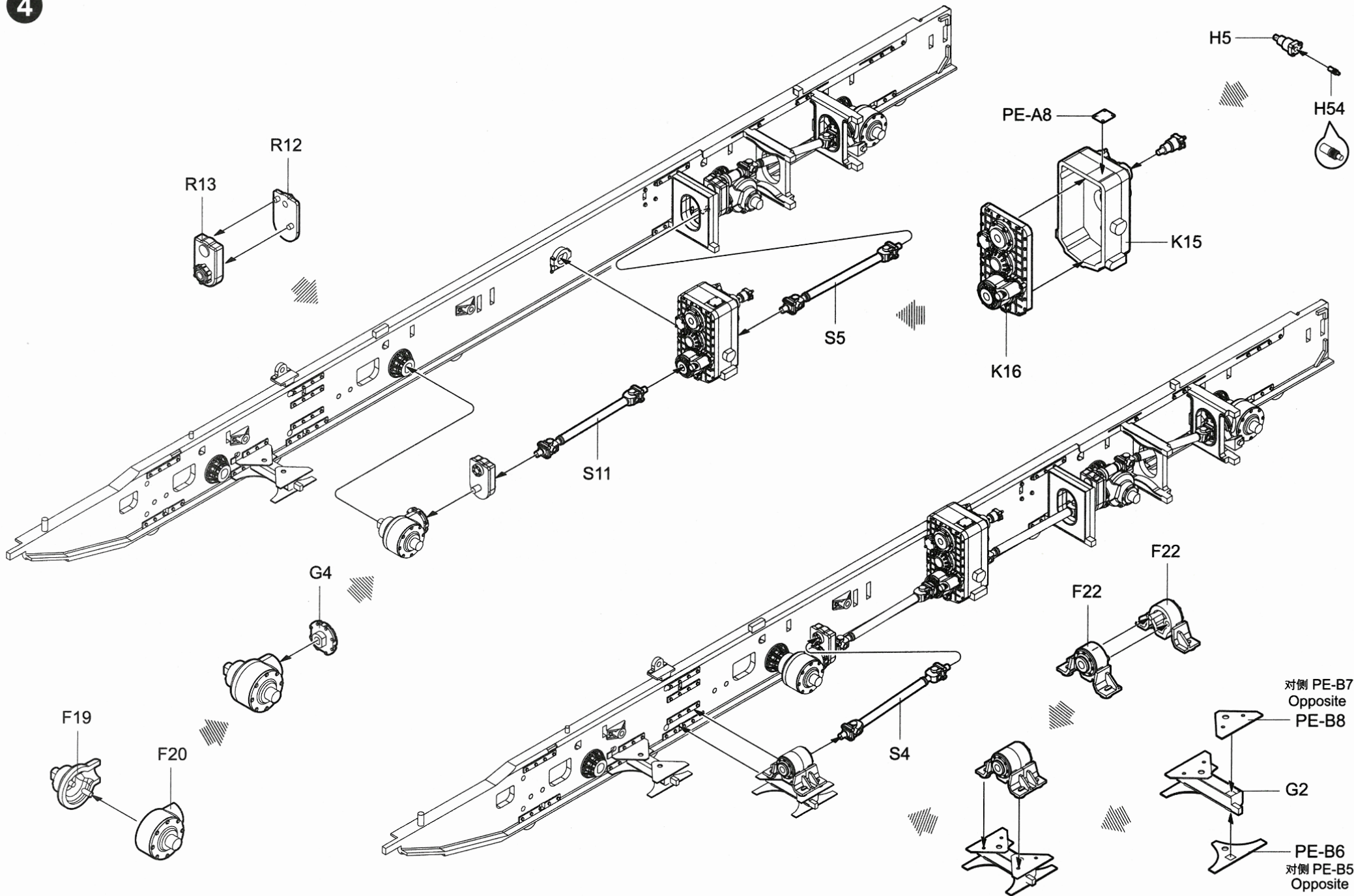


3



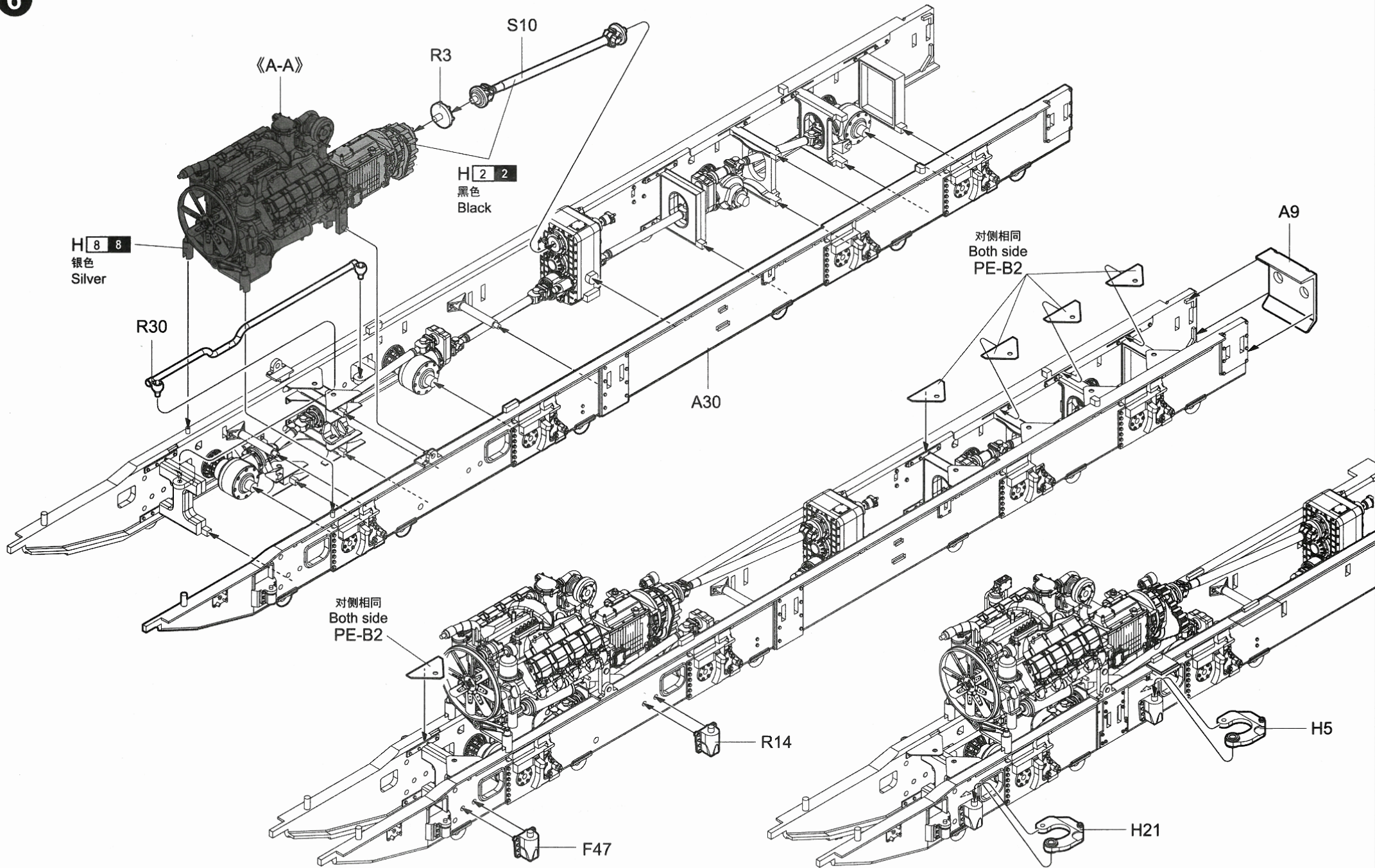


4

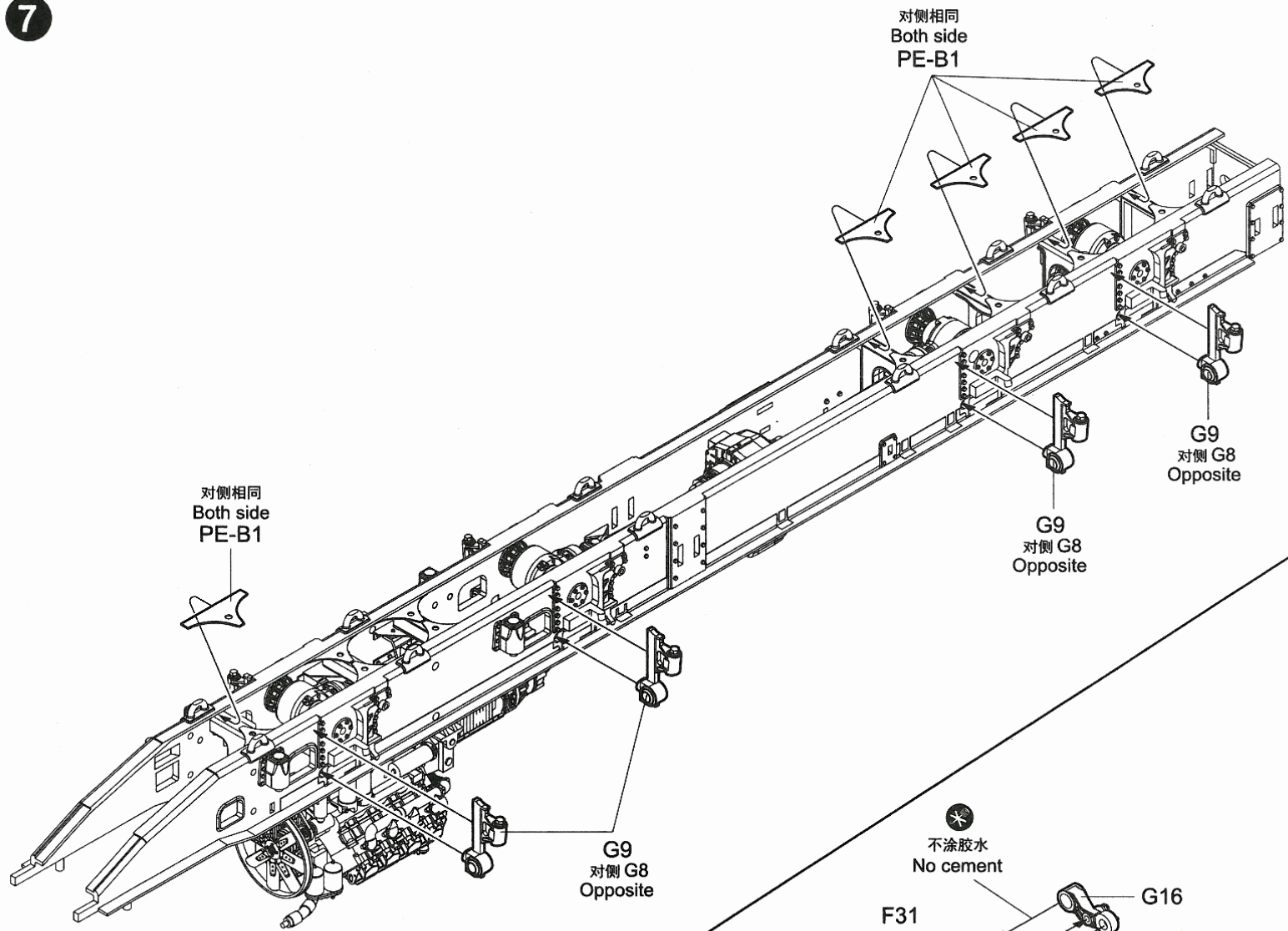




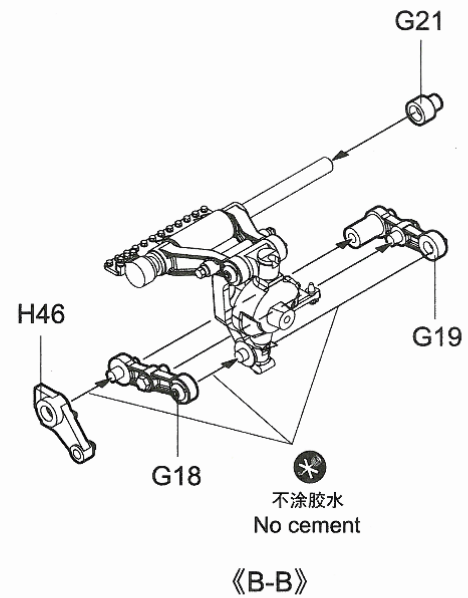
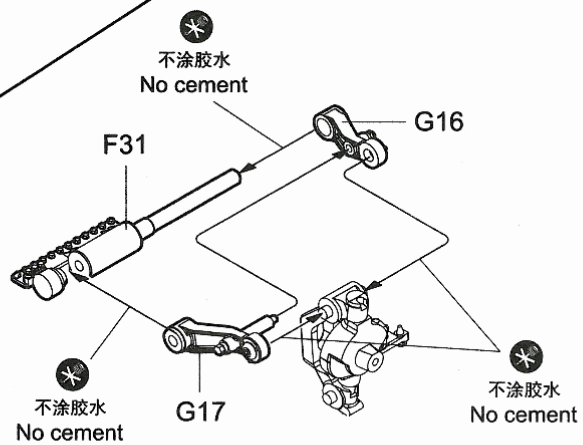
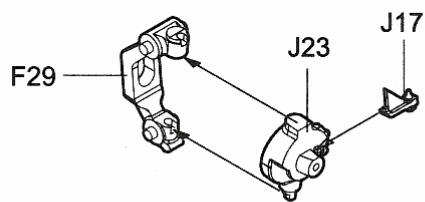




7

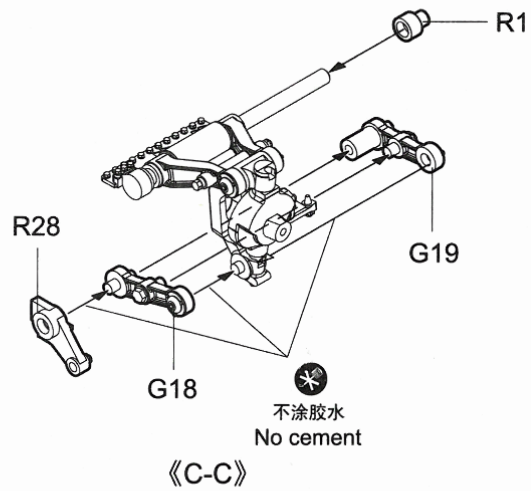
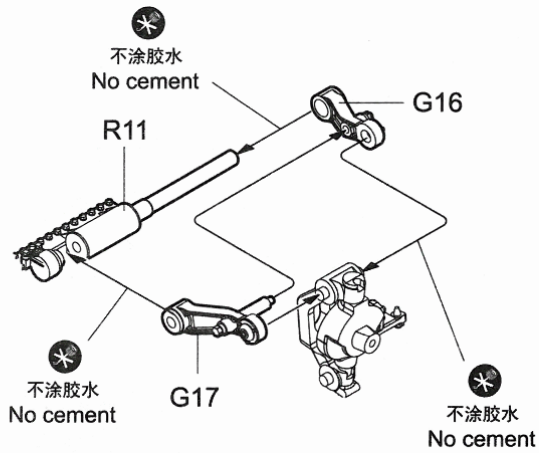
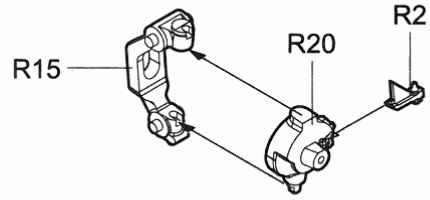


8

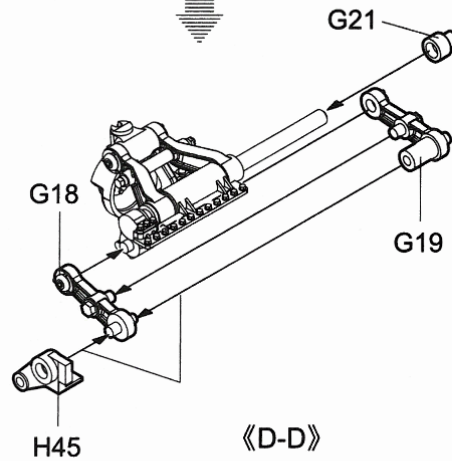
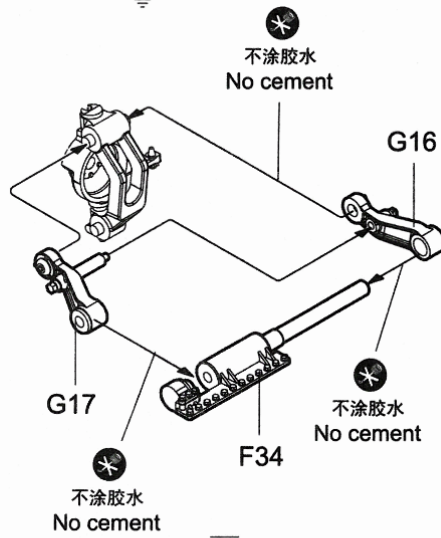
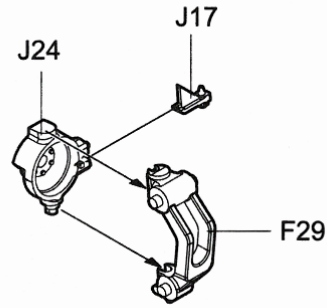




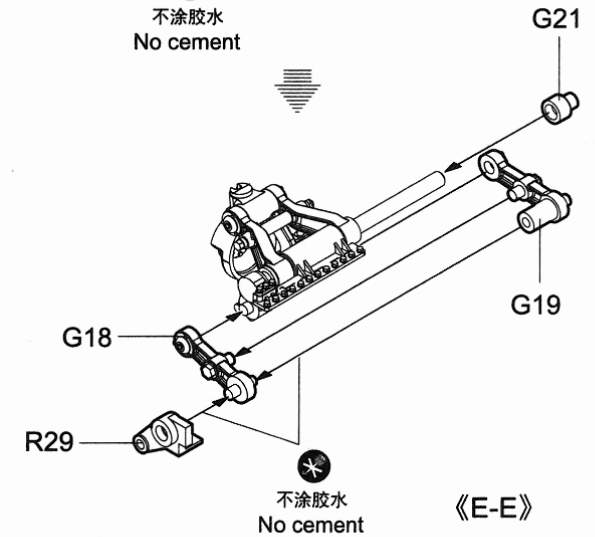
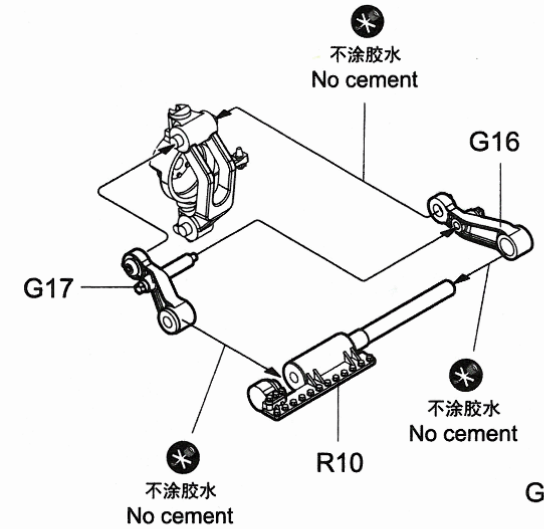
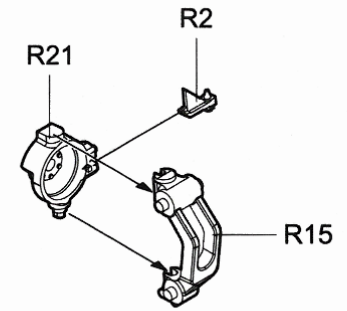
9



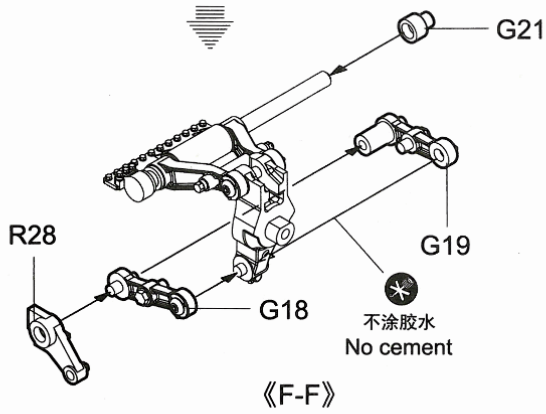
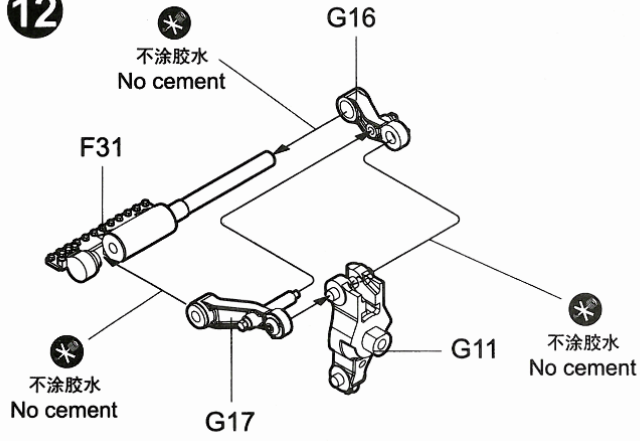
10



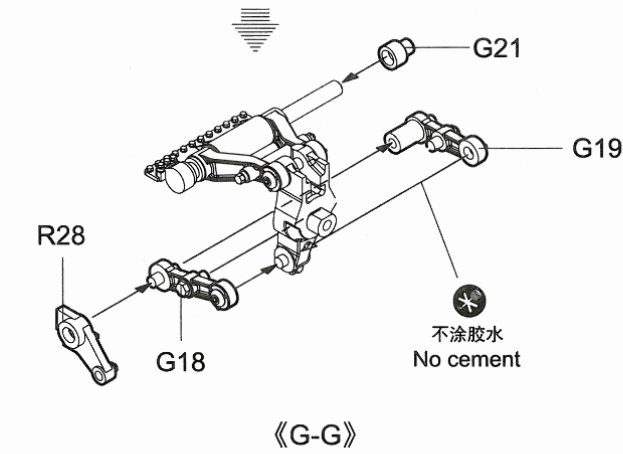
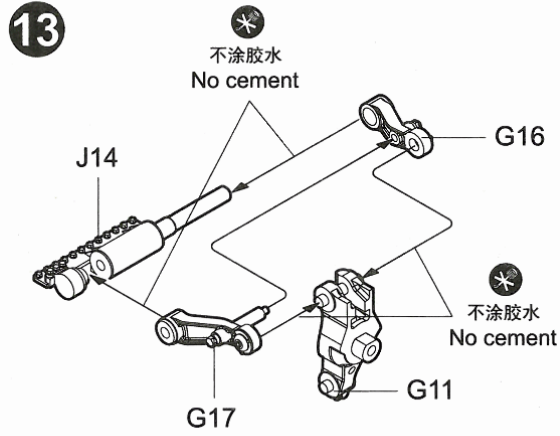
11



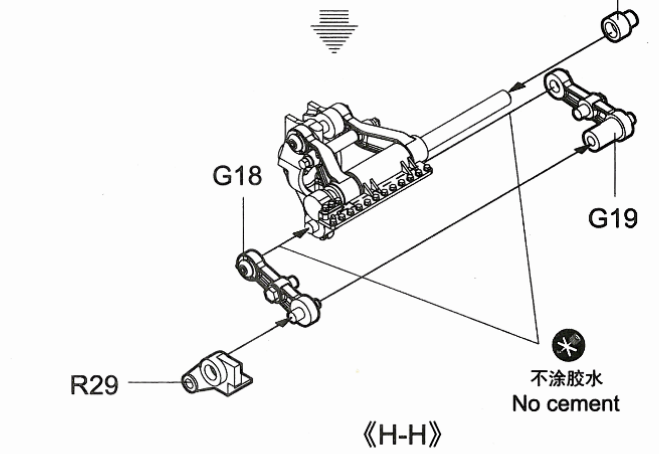
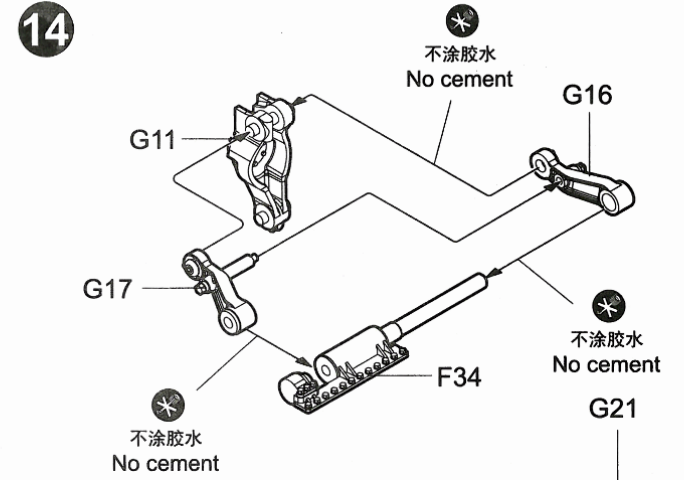
12



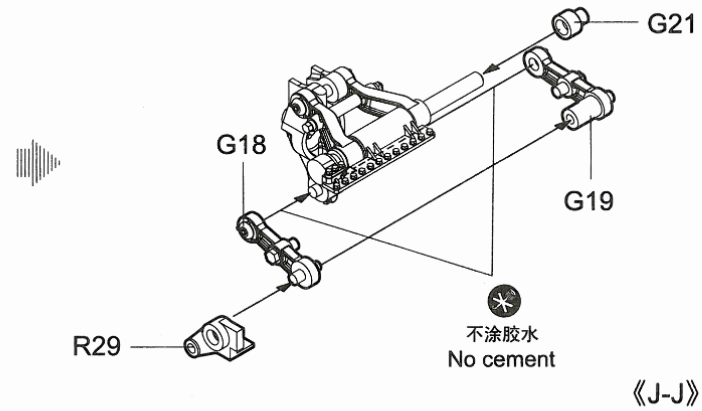
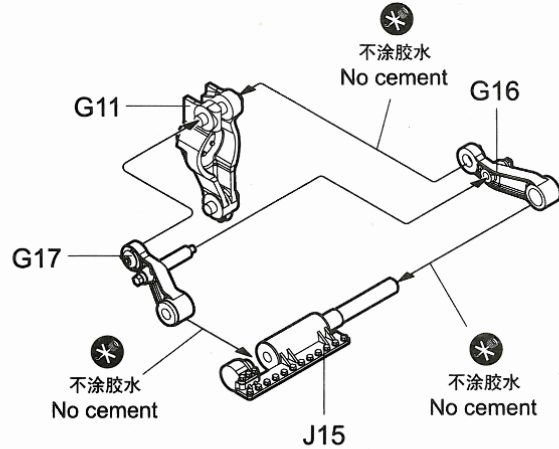
13



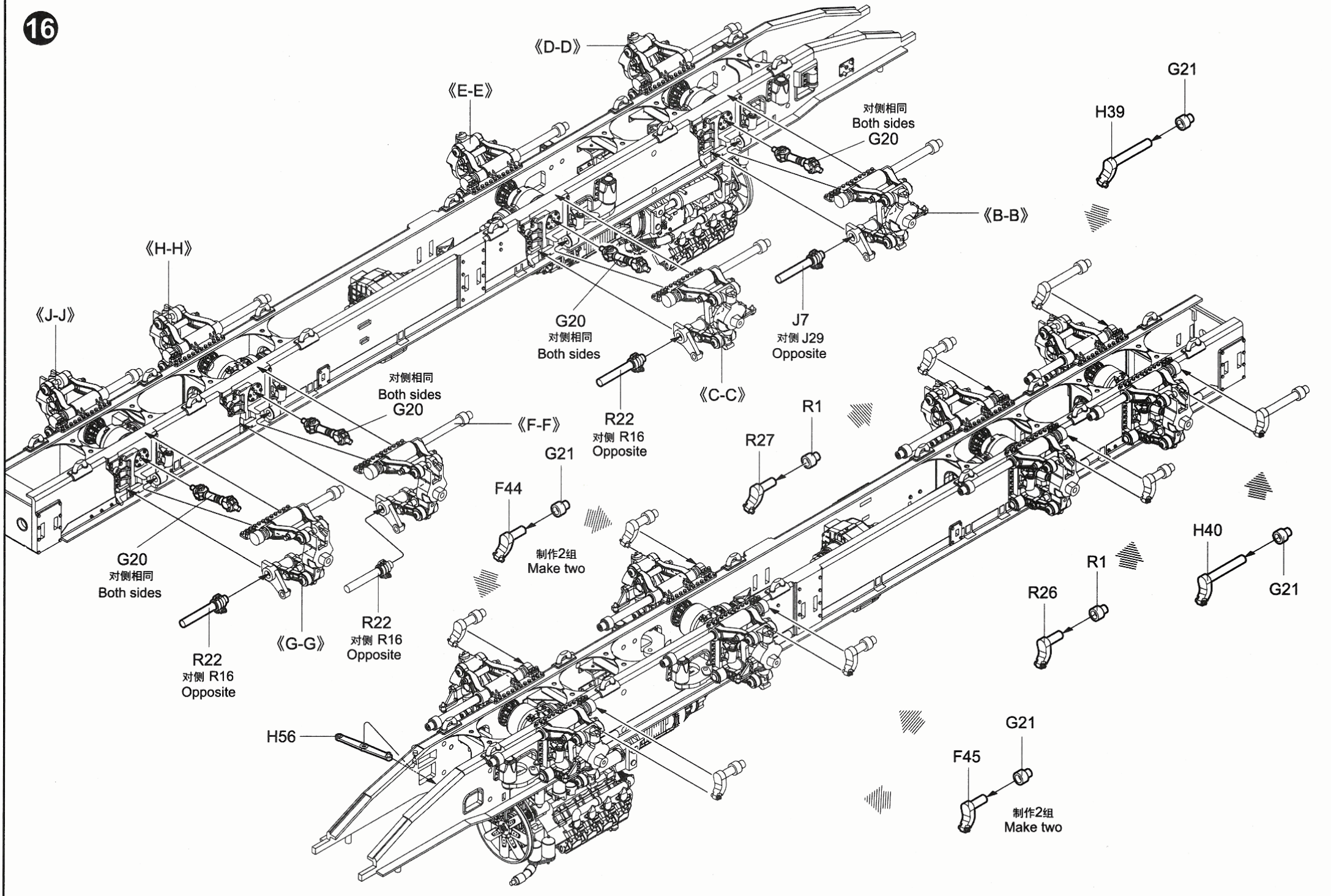
14

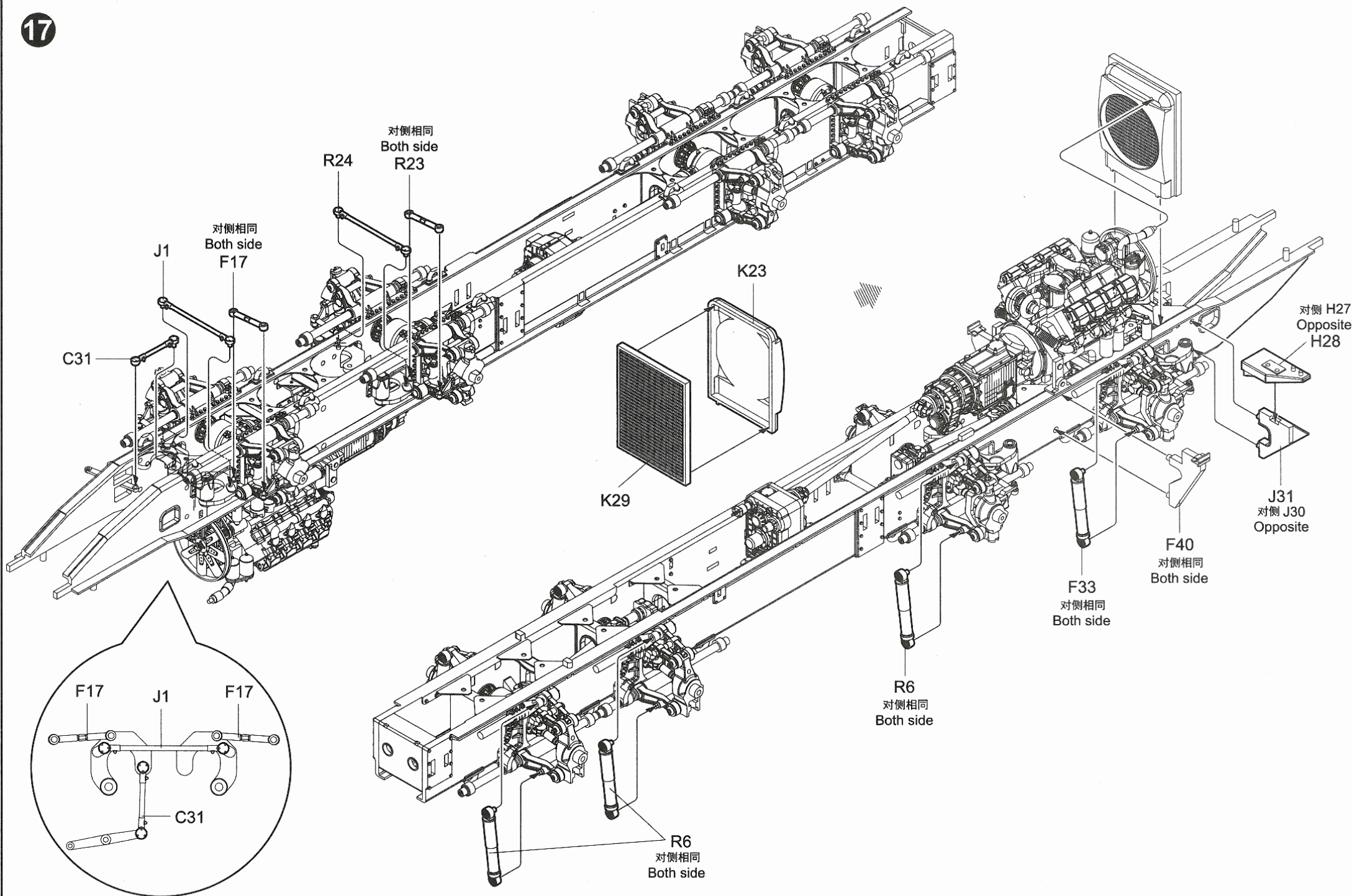


15

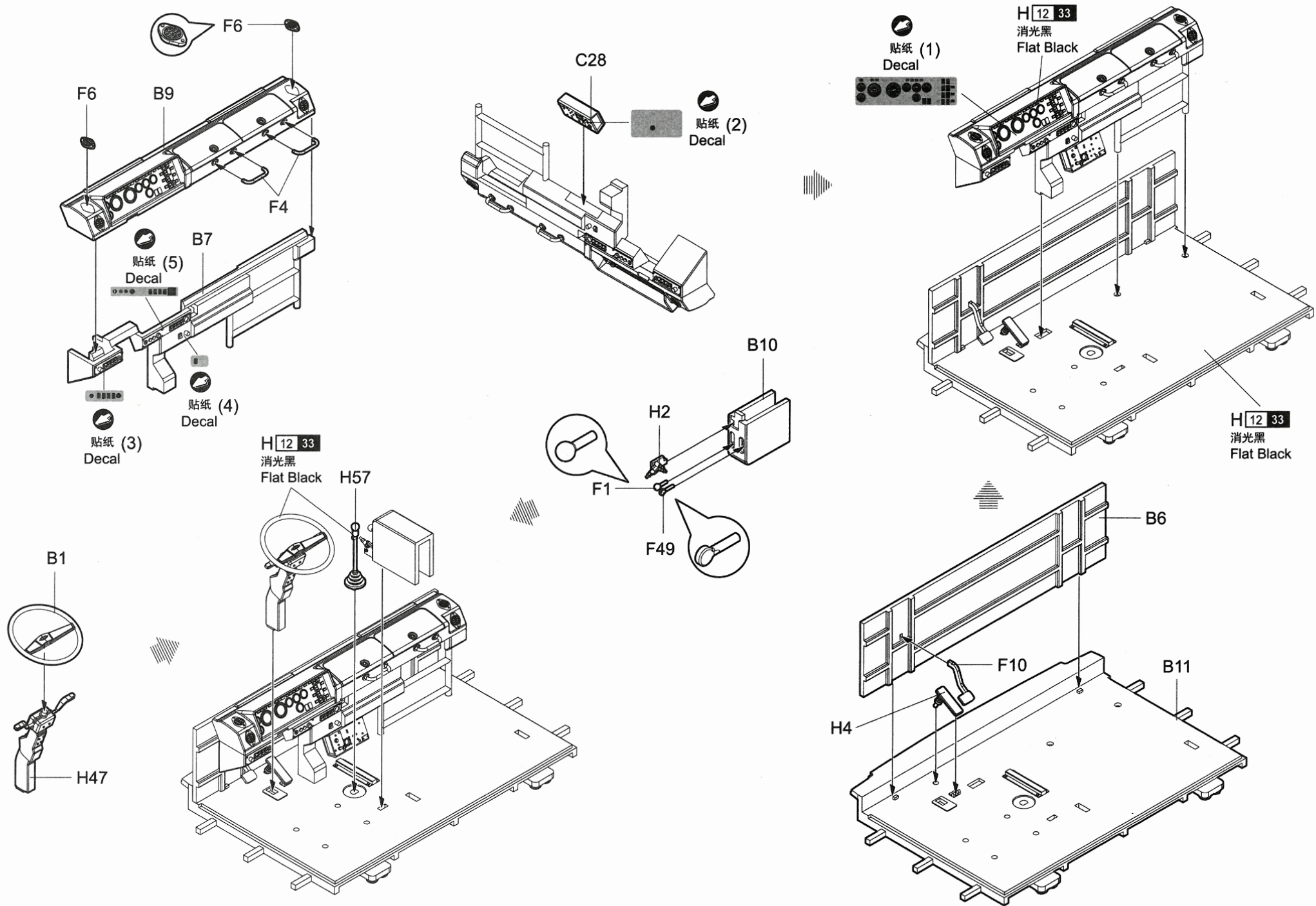




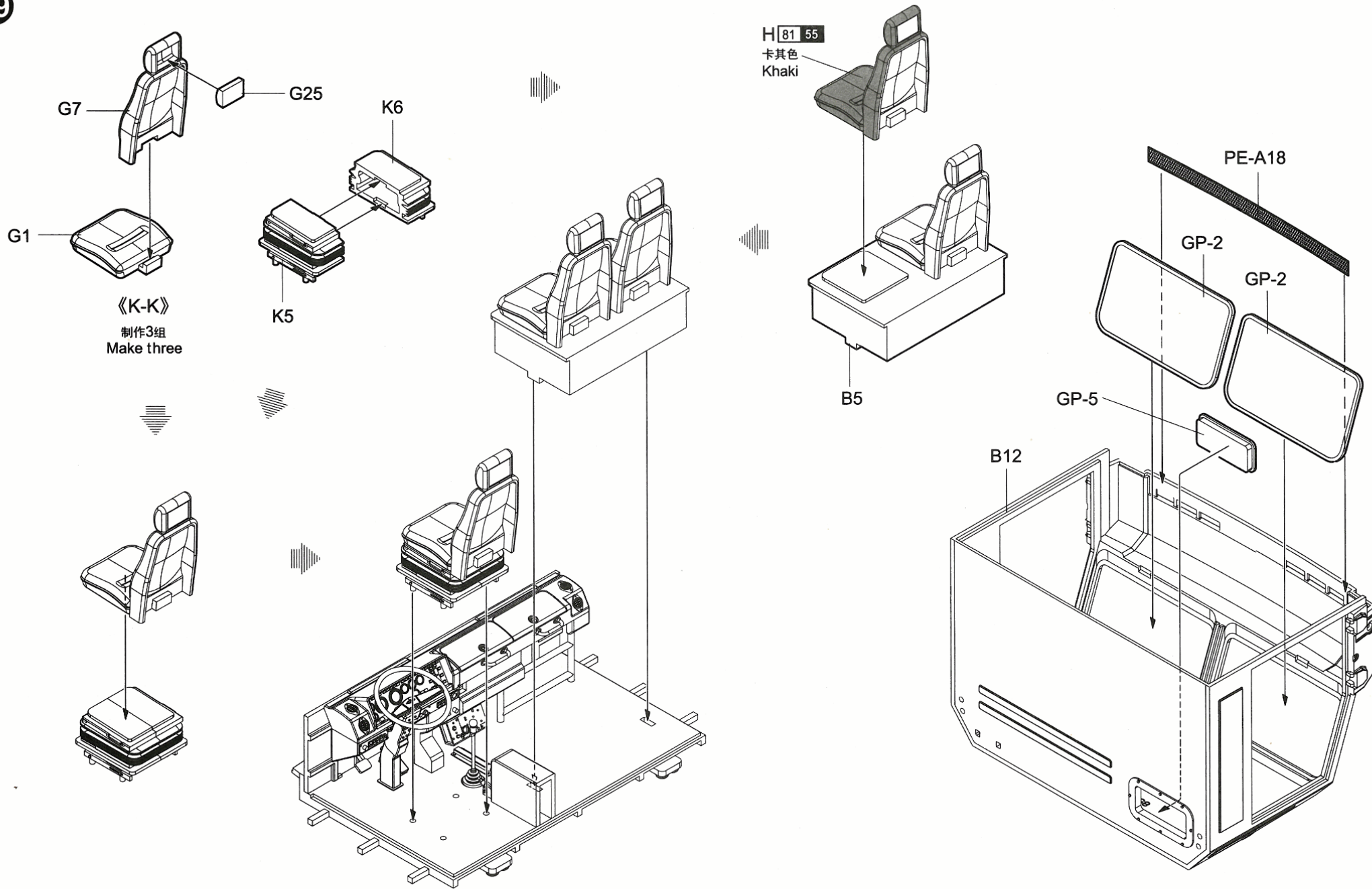








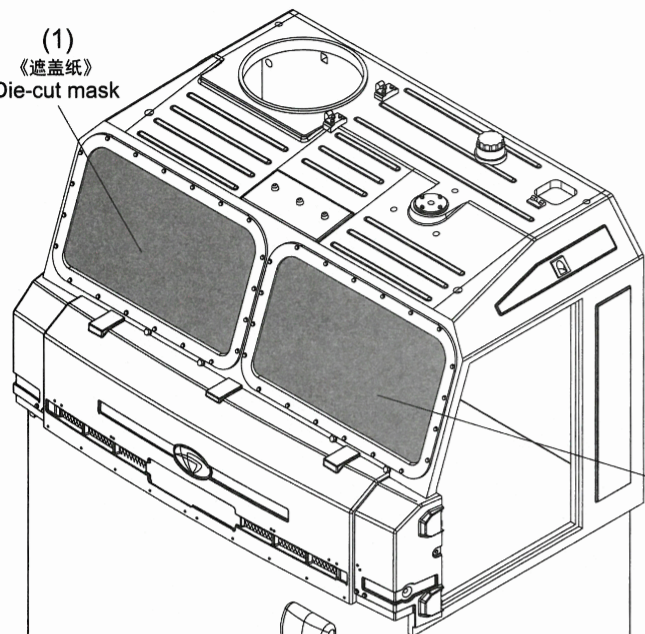
19



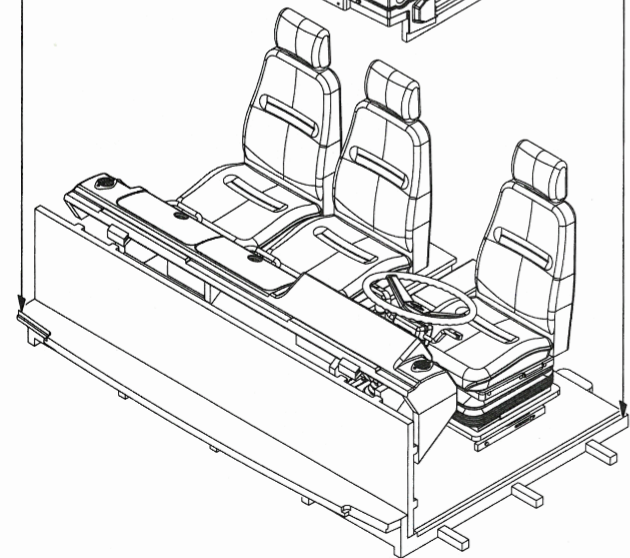
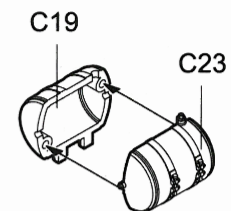
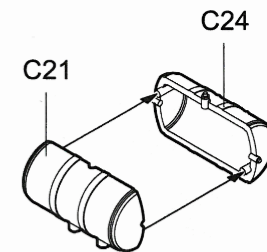
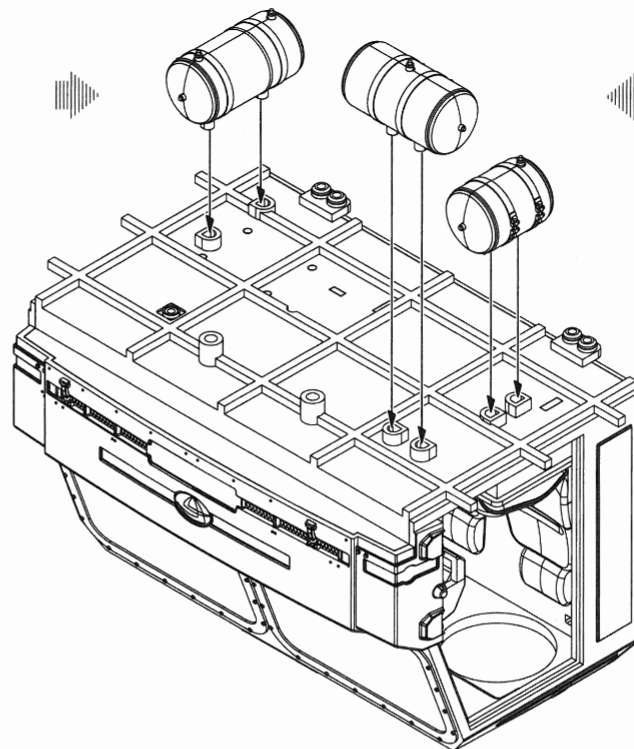
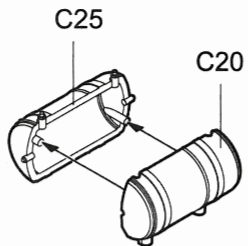


20

(1)  
《遮盖纸》  
Die-cut mask

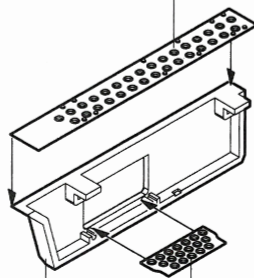


(1)  
《遮盖纸》  
Die-cut mask

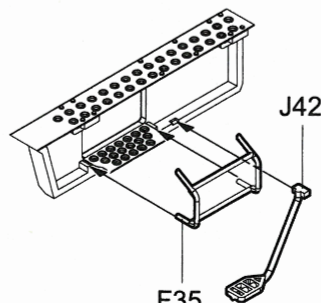


21

弯曲  
Bend  
PE-A1

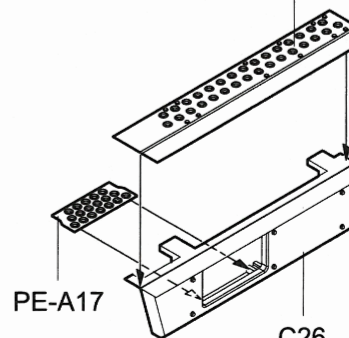


C22 PE-A17

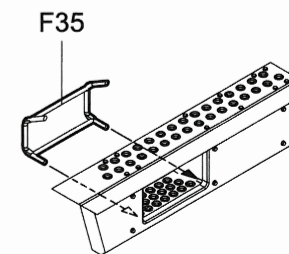


F35  
《K-K》

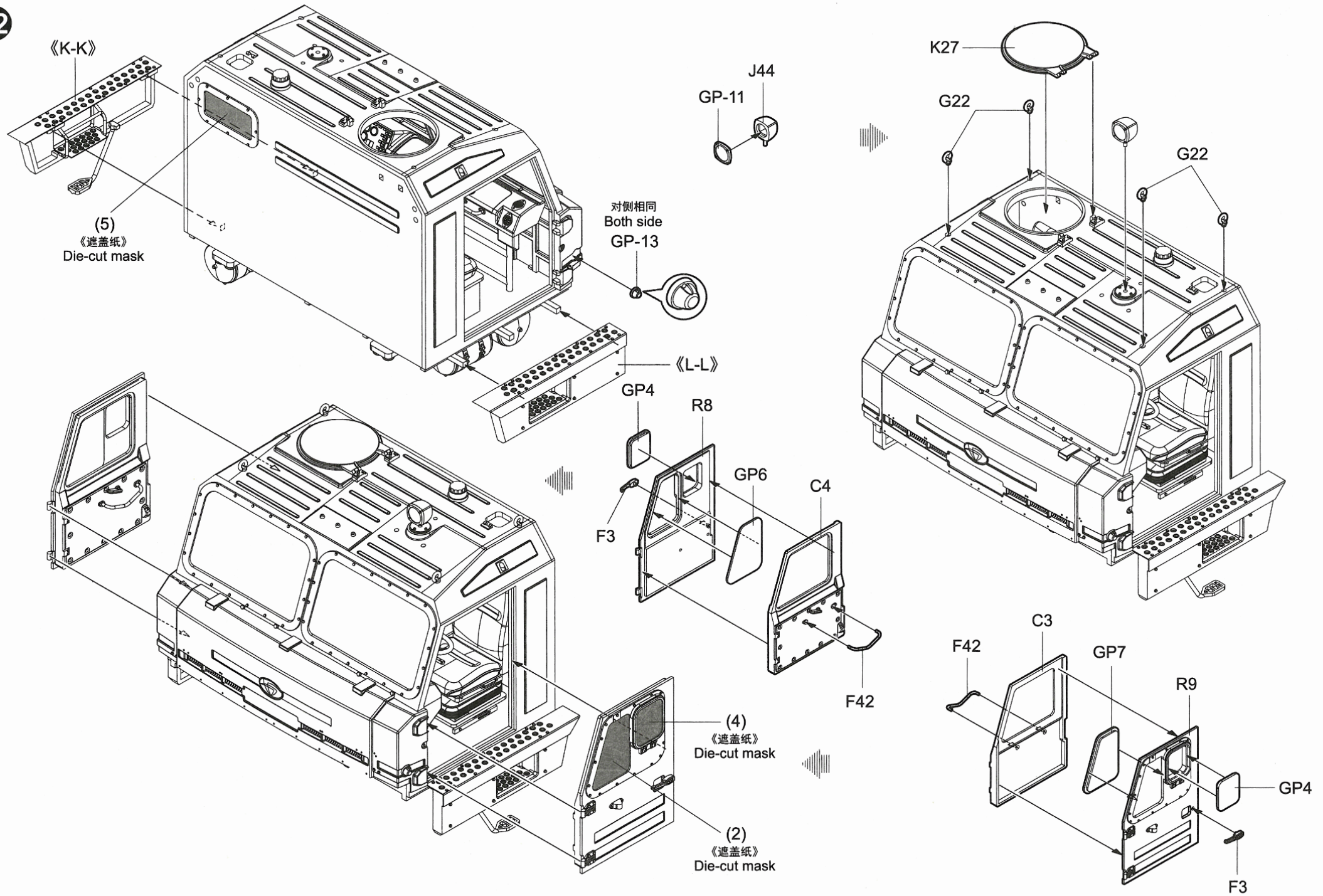
弯曲  
Bend  
PE-A2



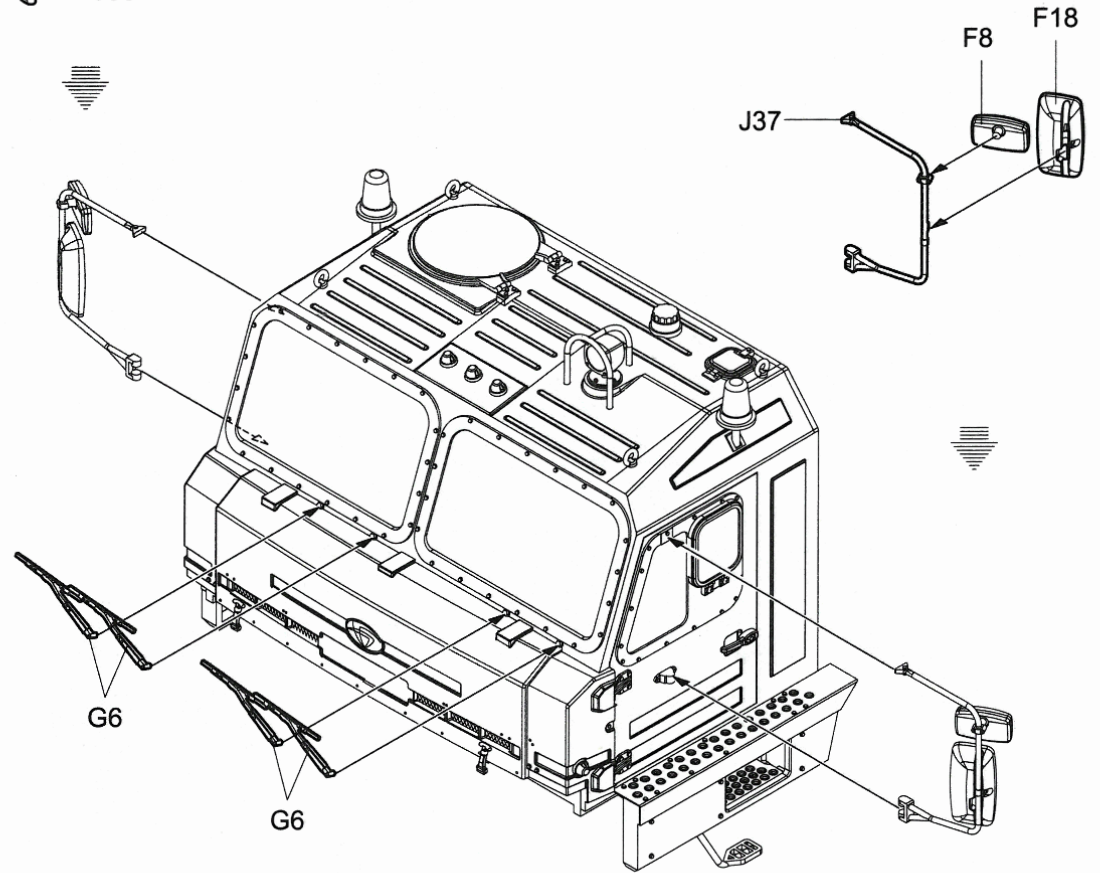
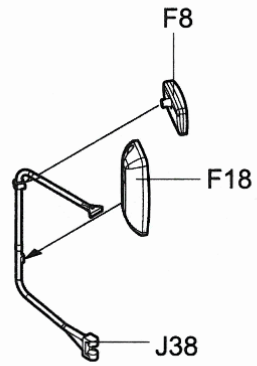
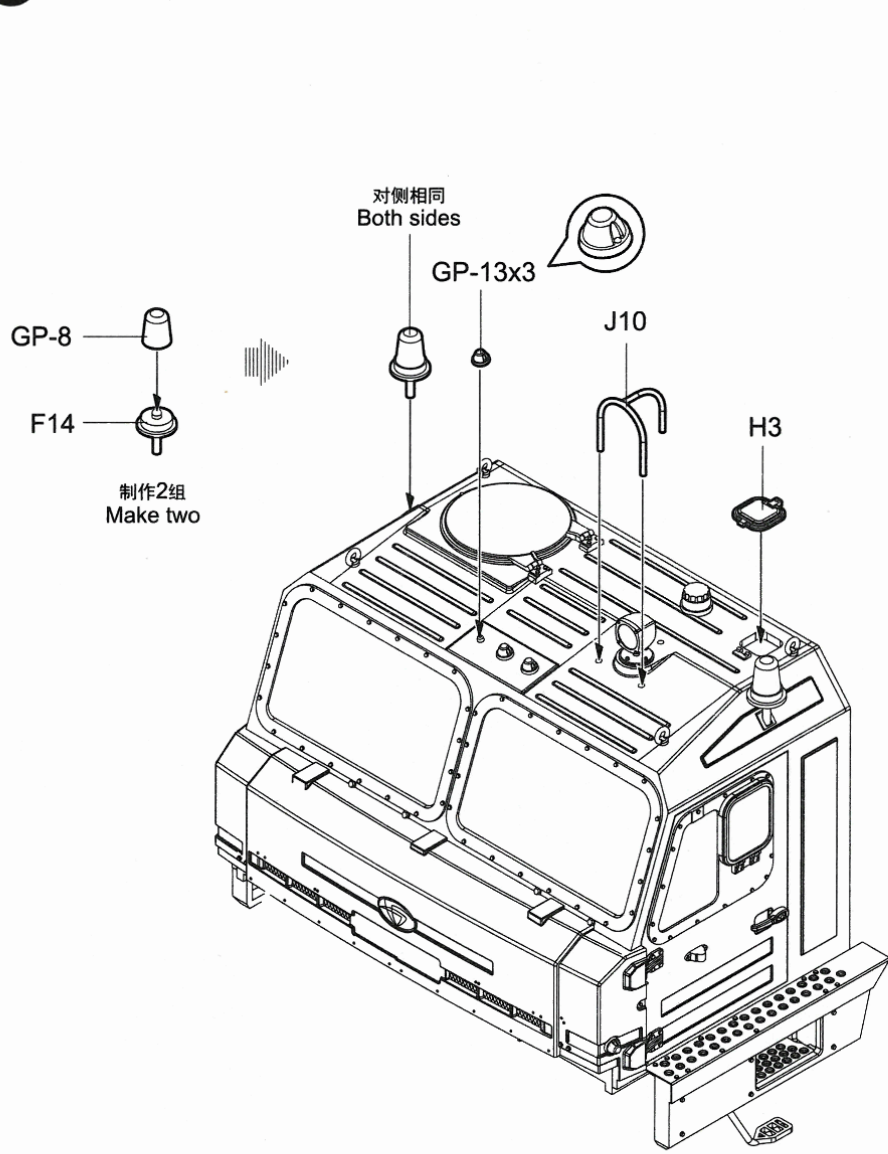
PE-A17 C26

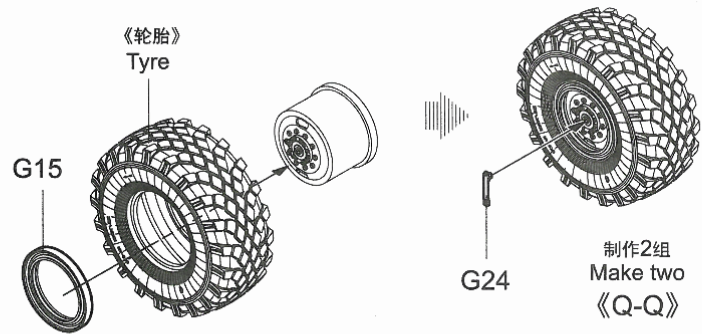
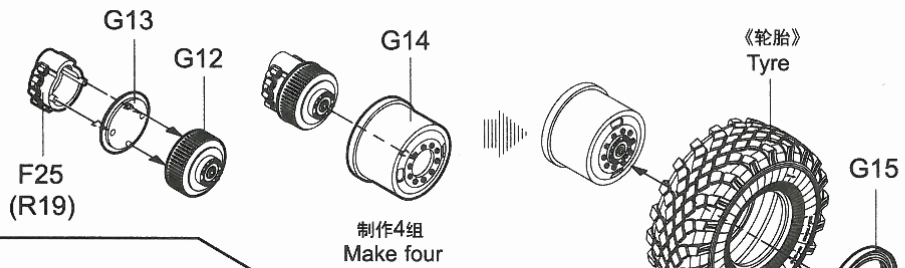


《L-L》

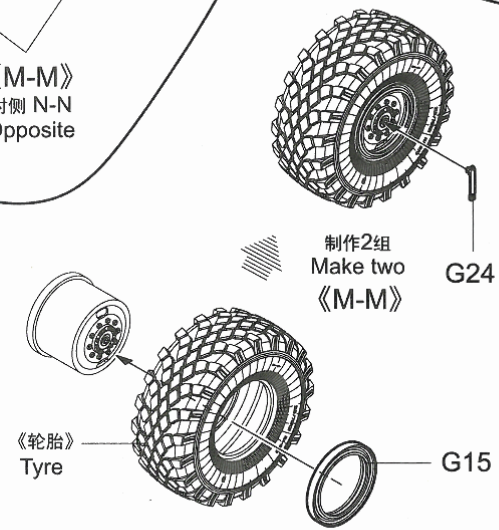
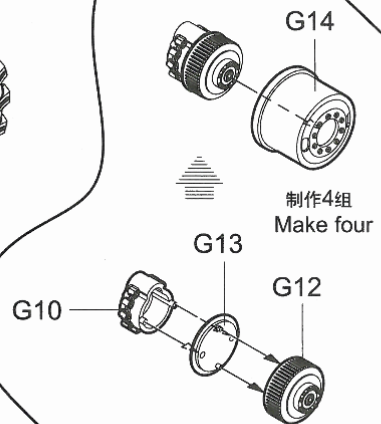
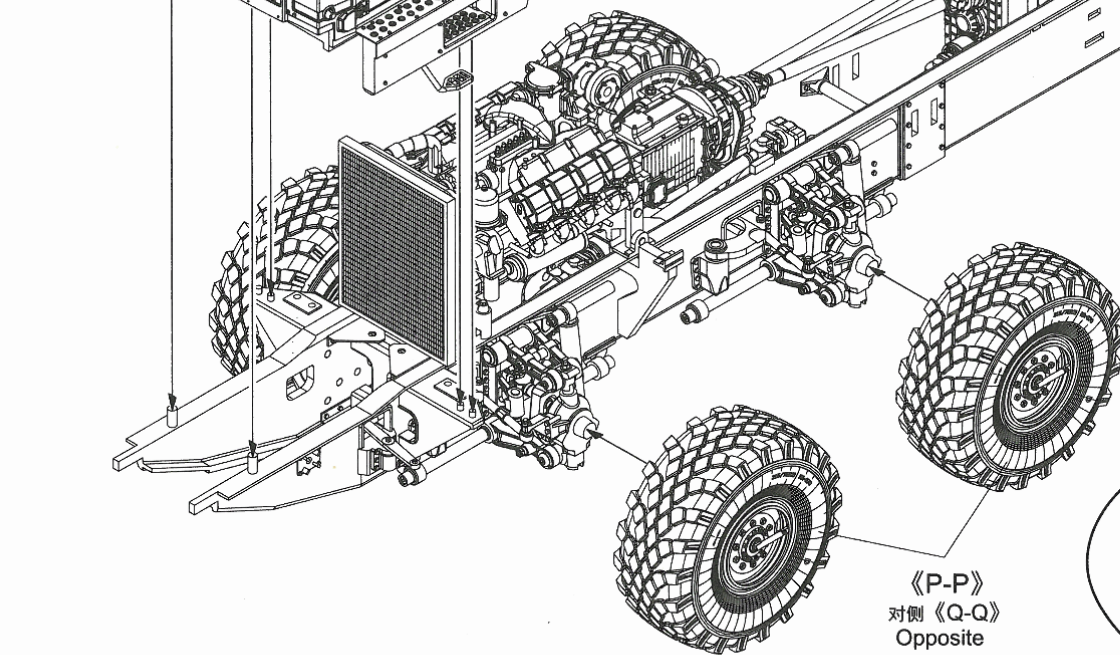
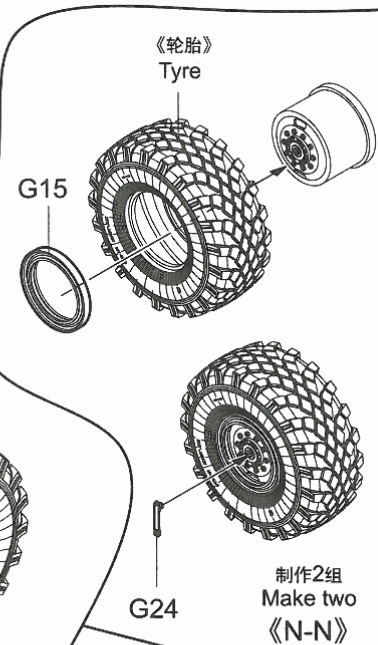
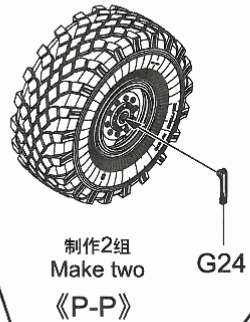
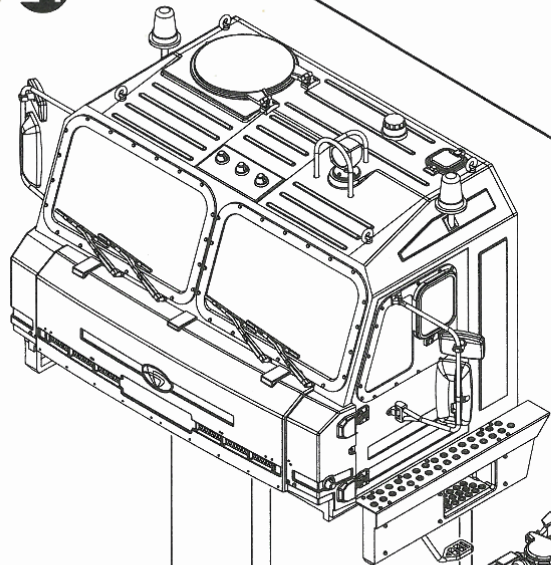






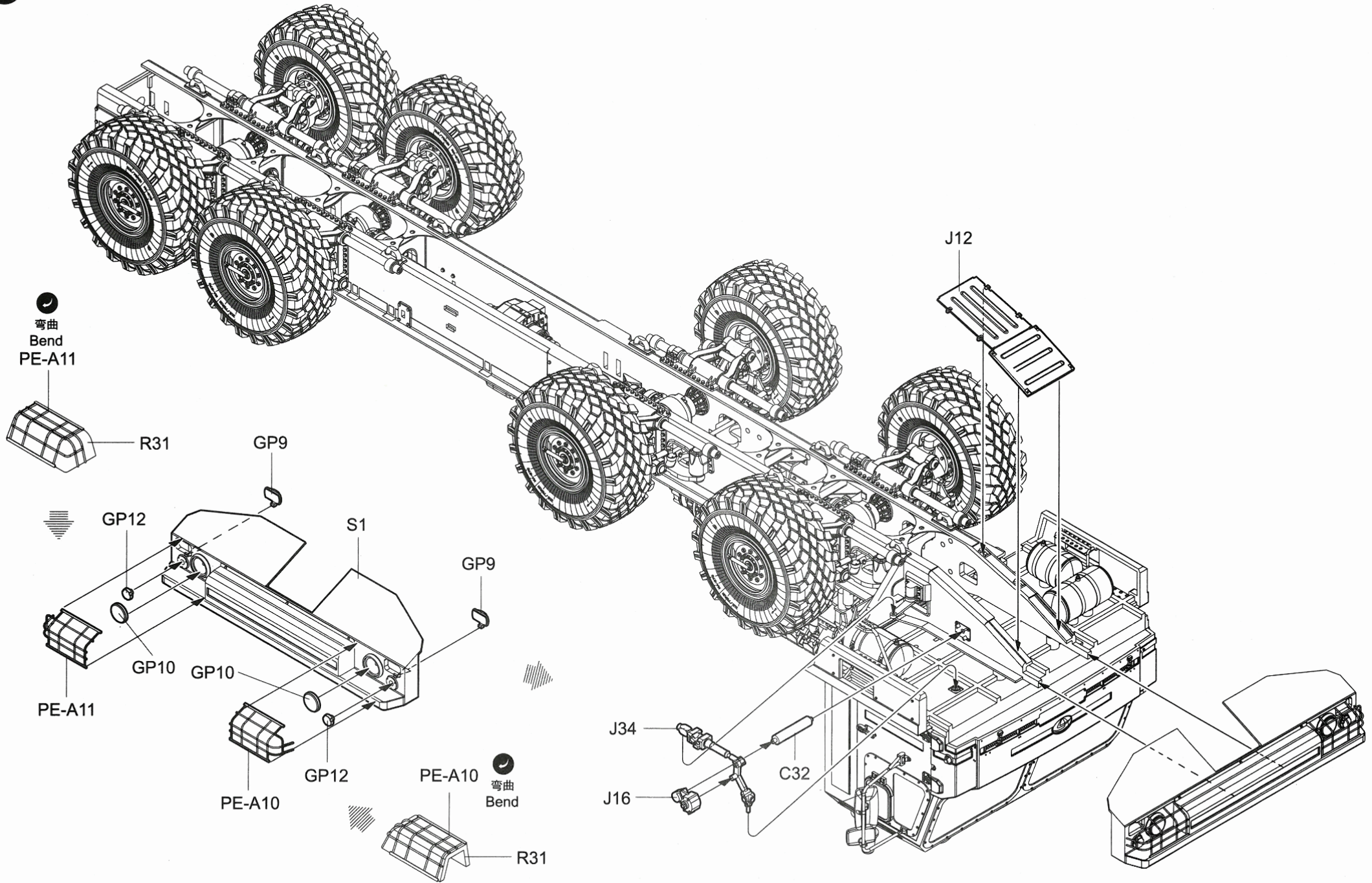


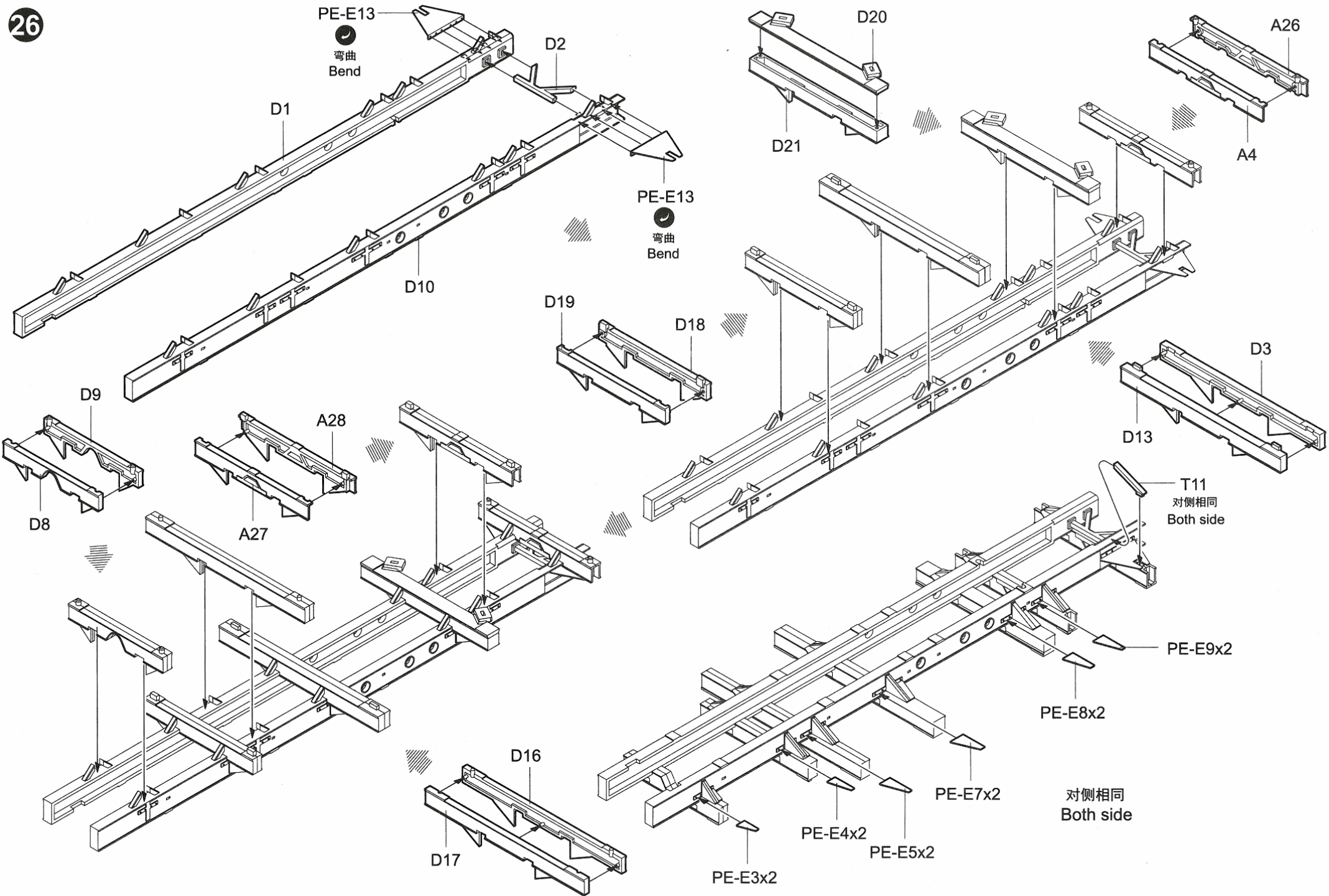
24



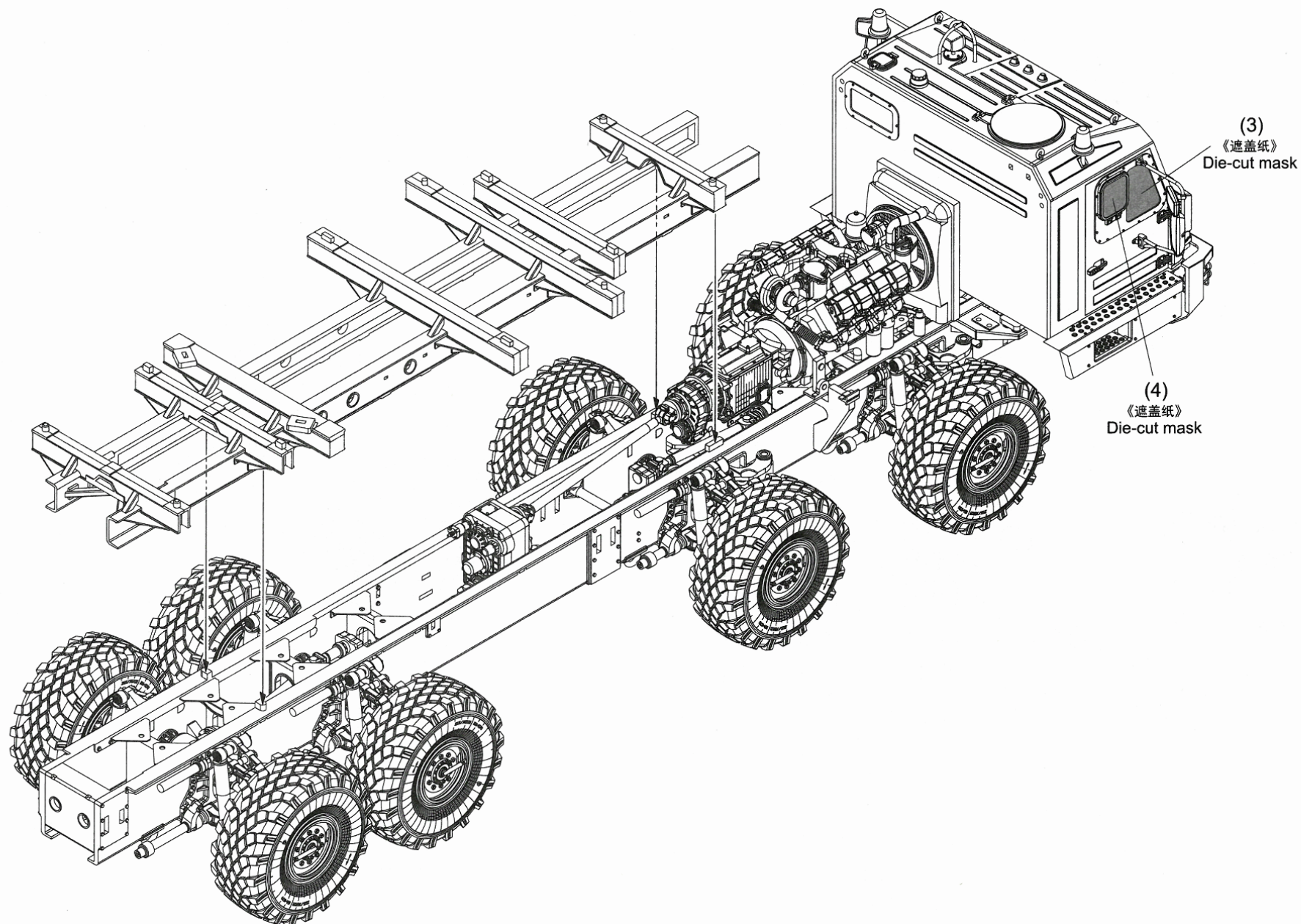
《M-M》  
对侧 N-N  
Opposite

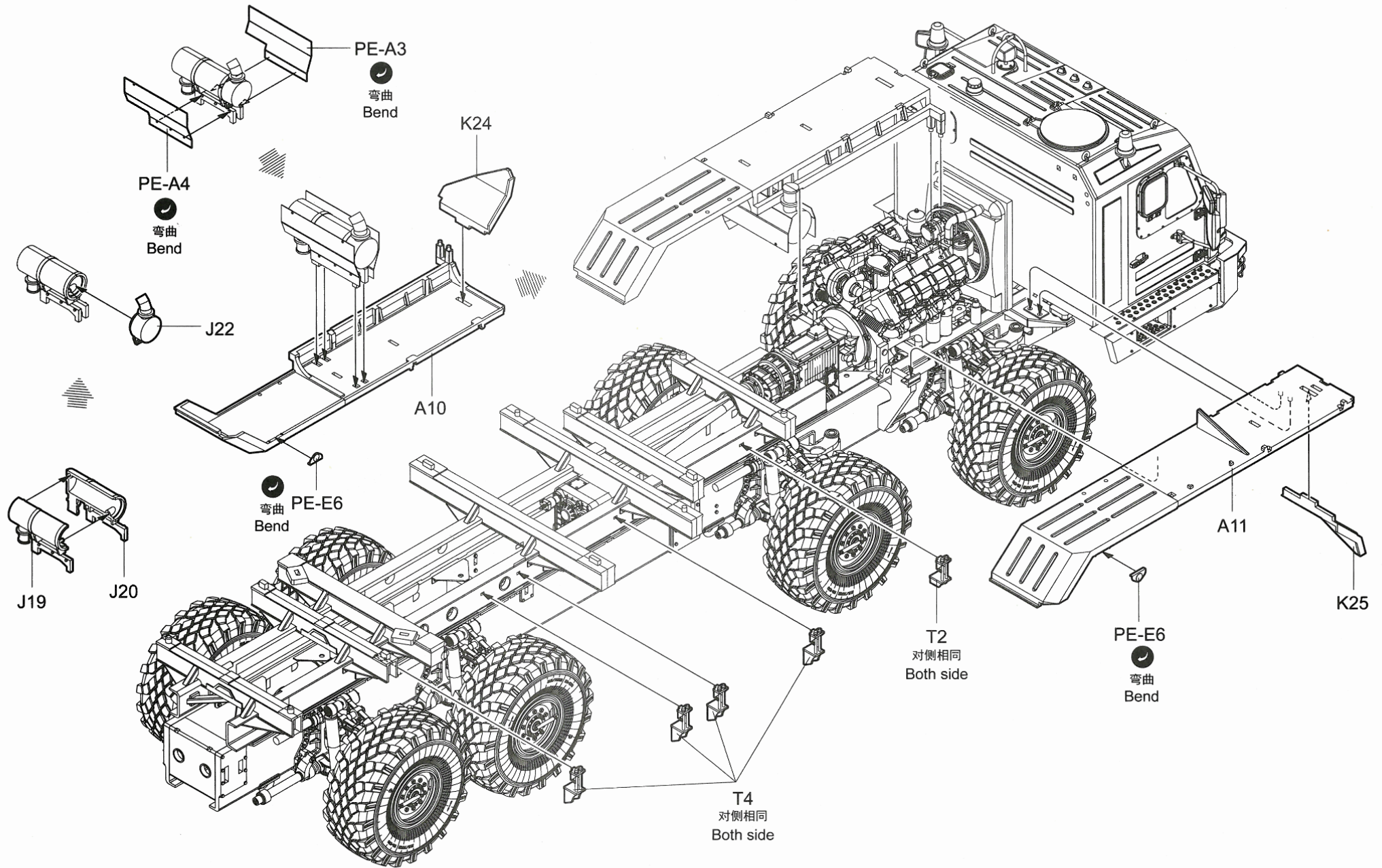






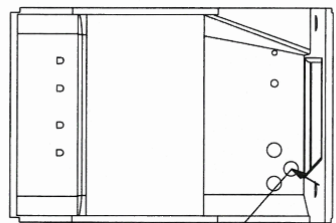
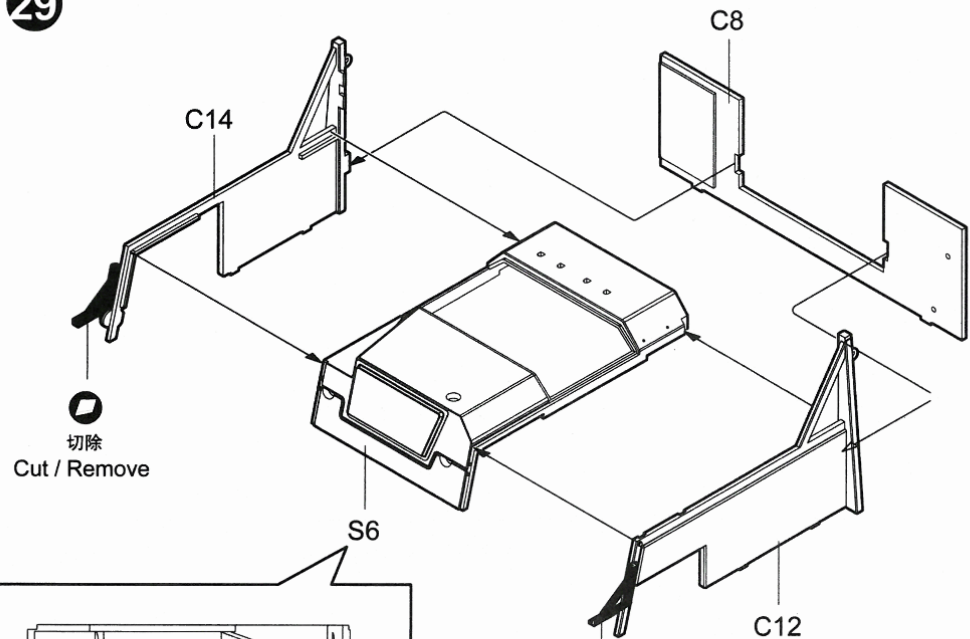






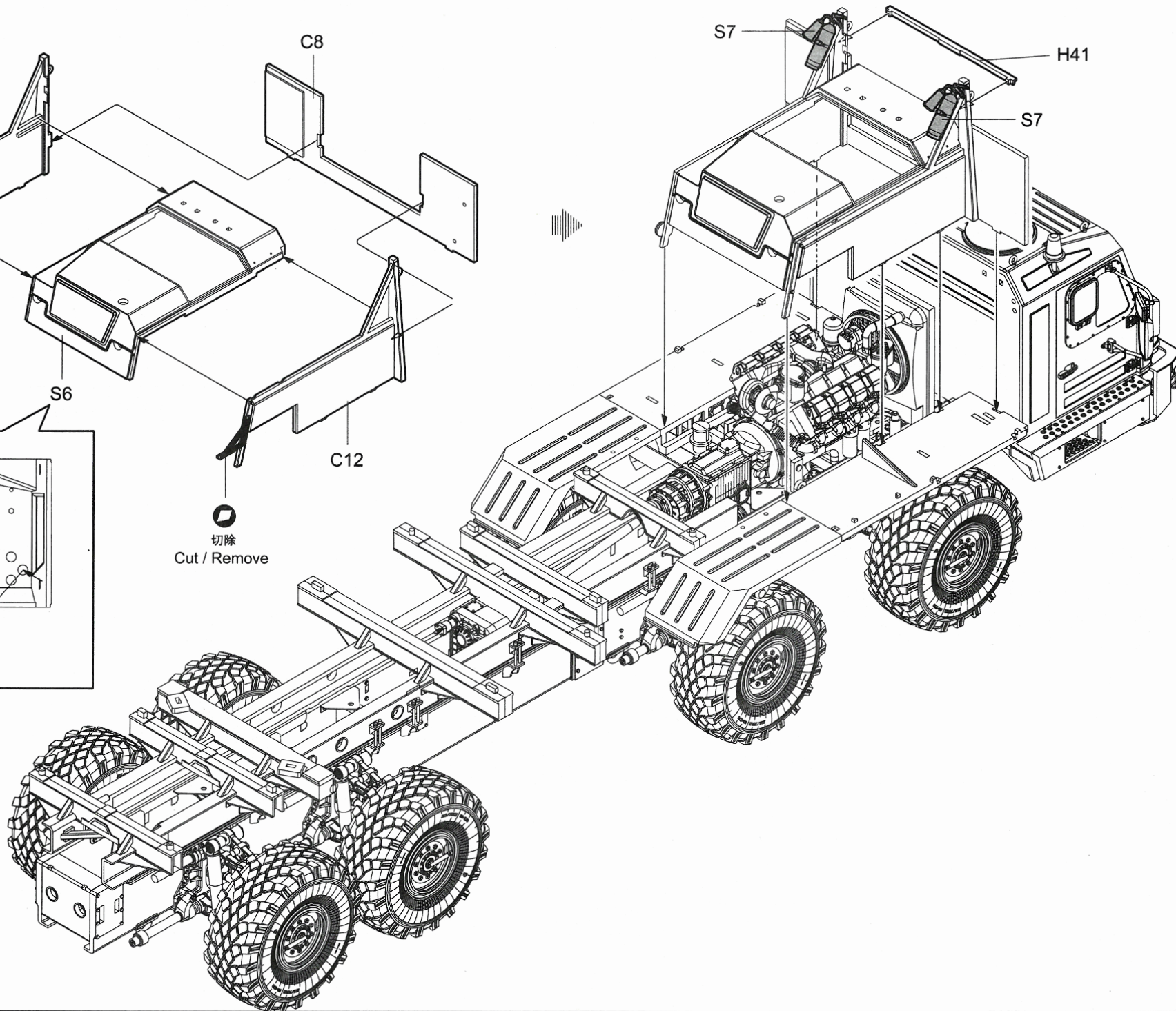


29



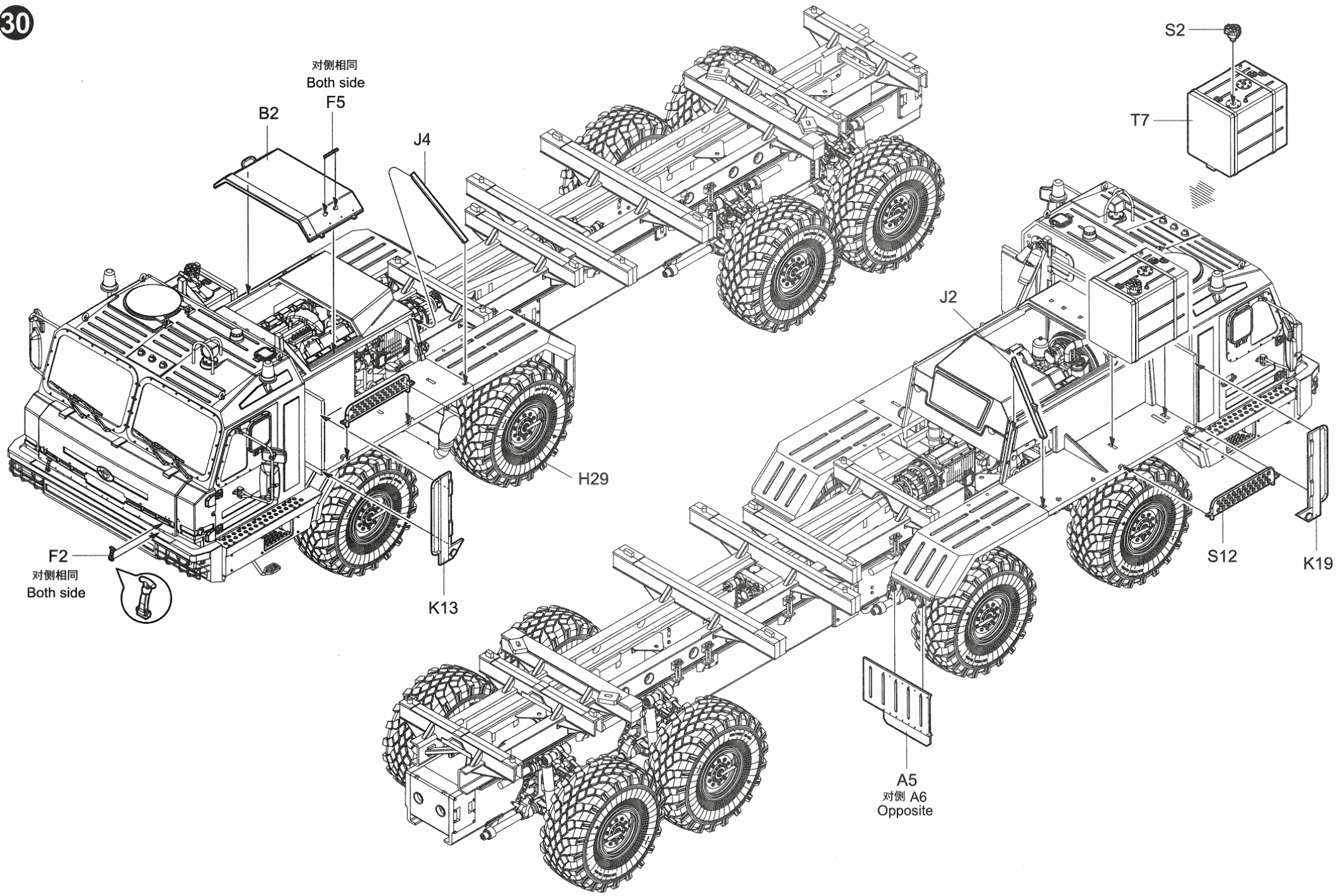
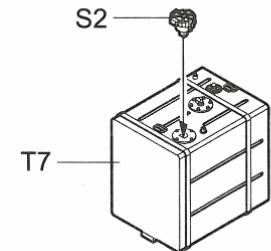
钻孔  
Make hole

切除  
Cut / Remove





对侧相同  
Both side

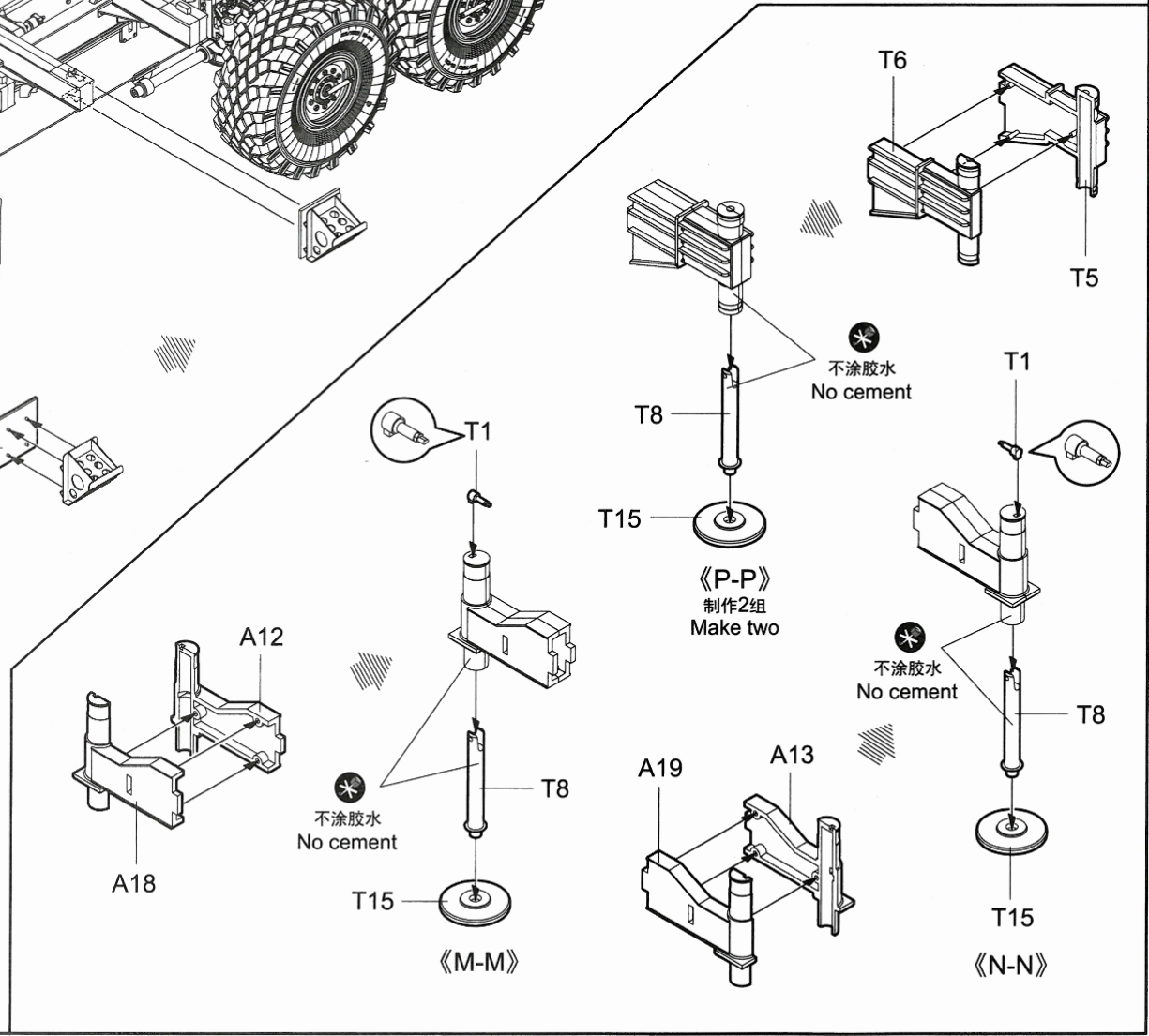
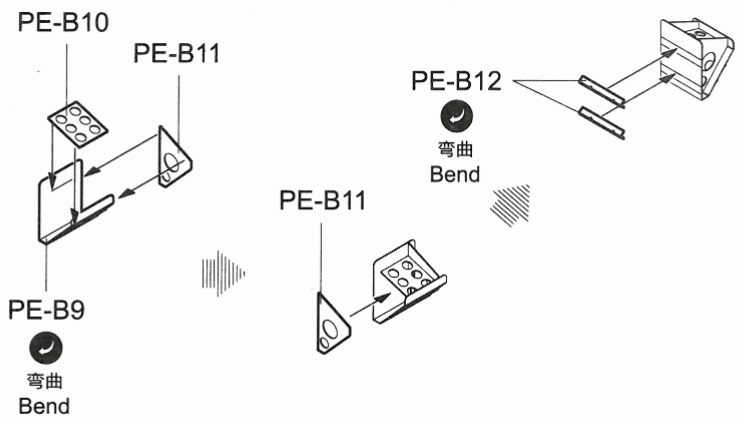
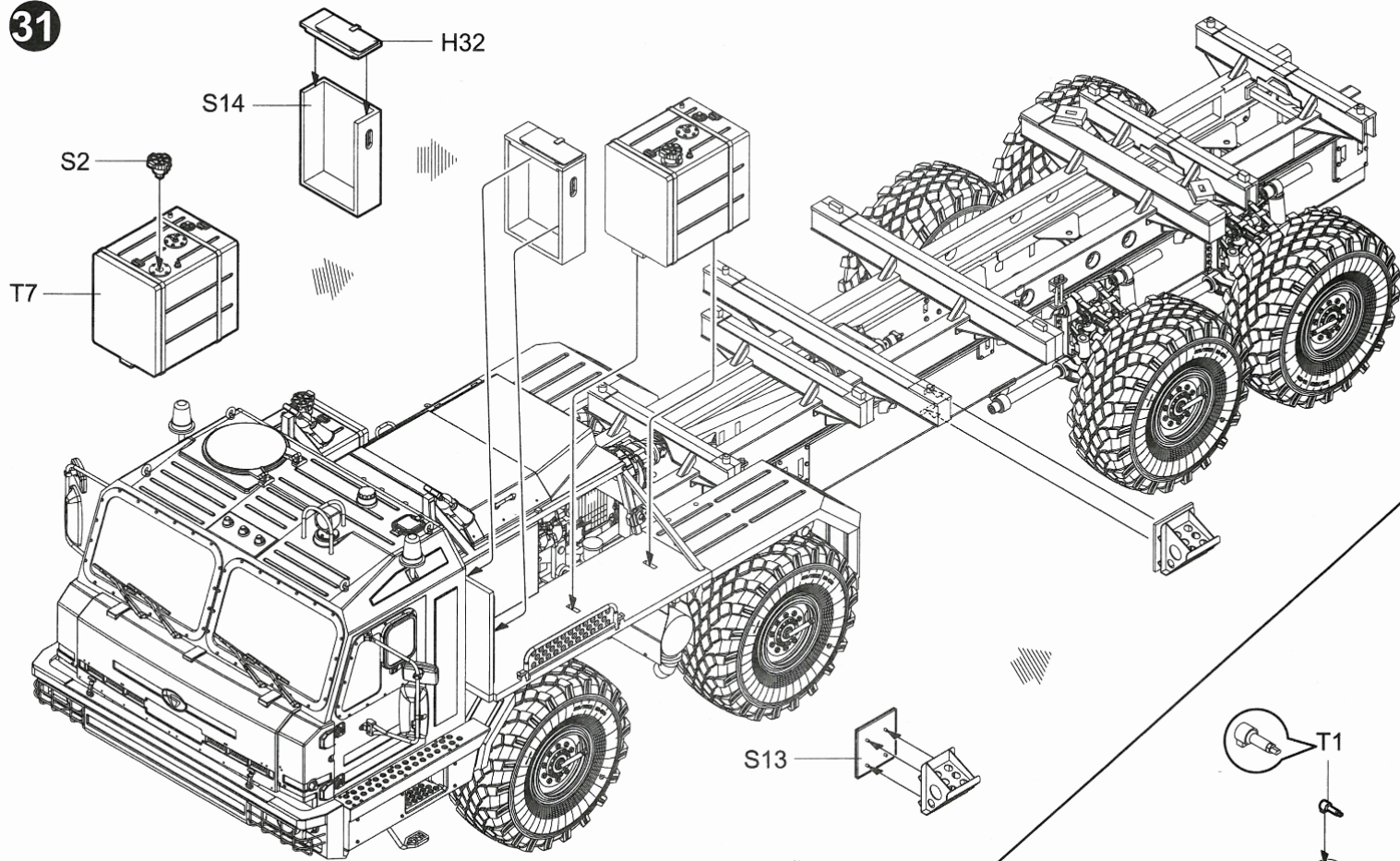


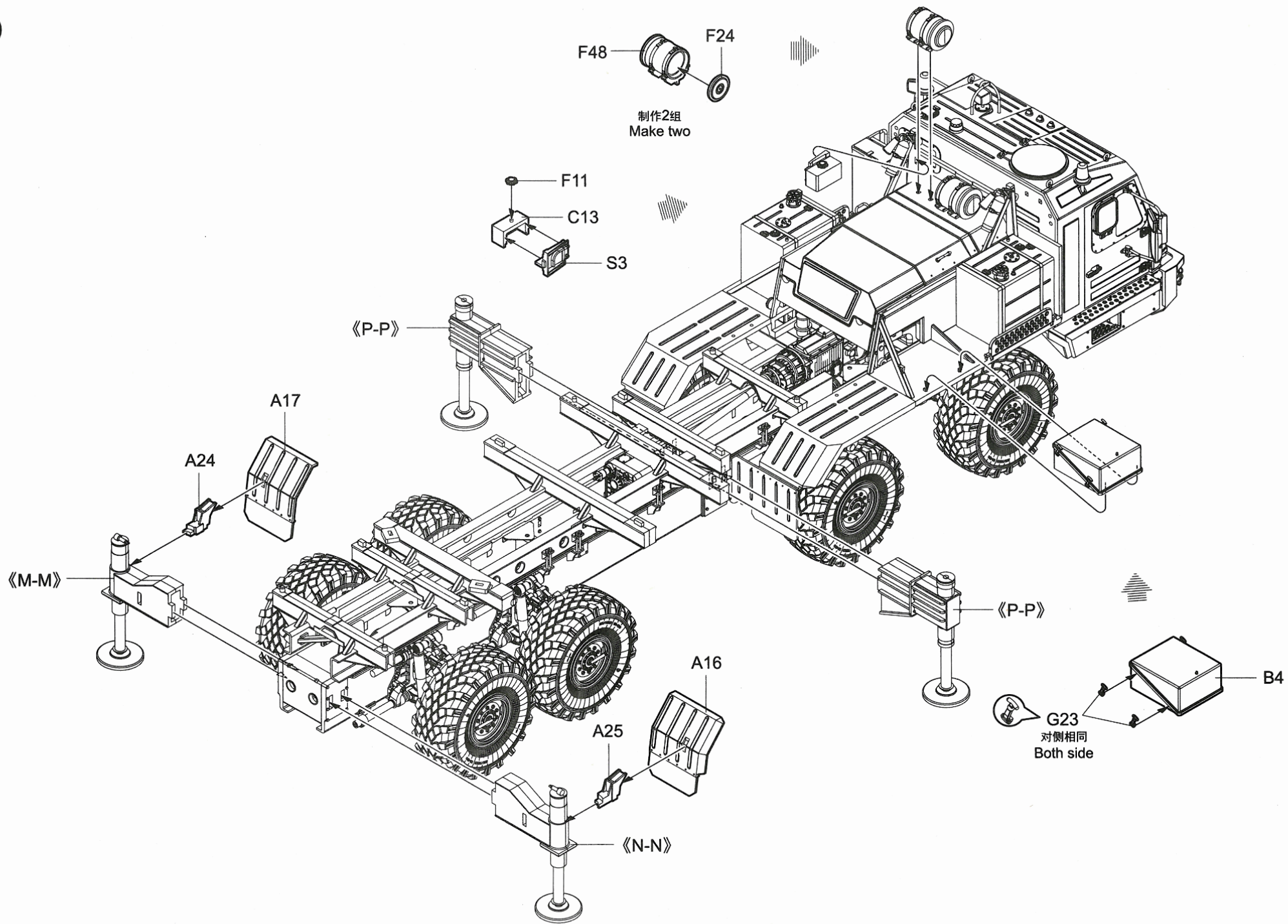
对侧相同  
Both side

对侧 A6  
Opposite

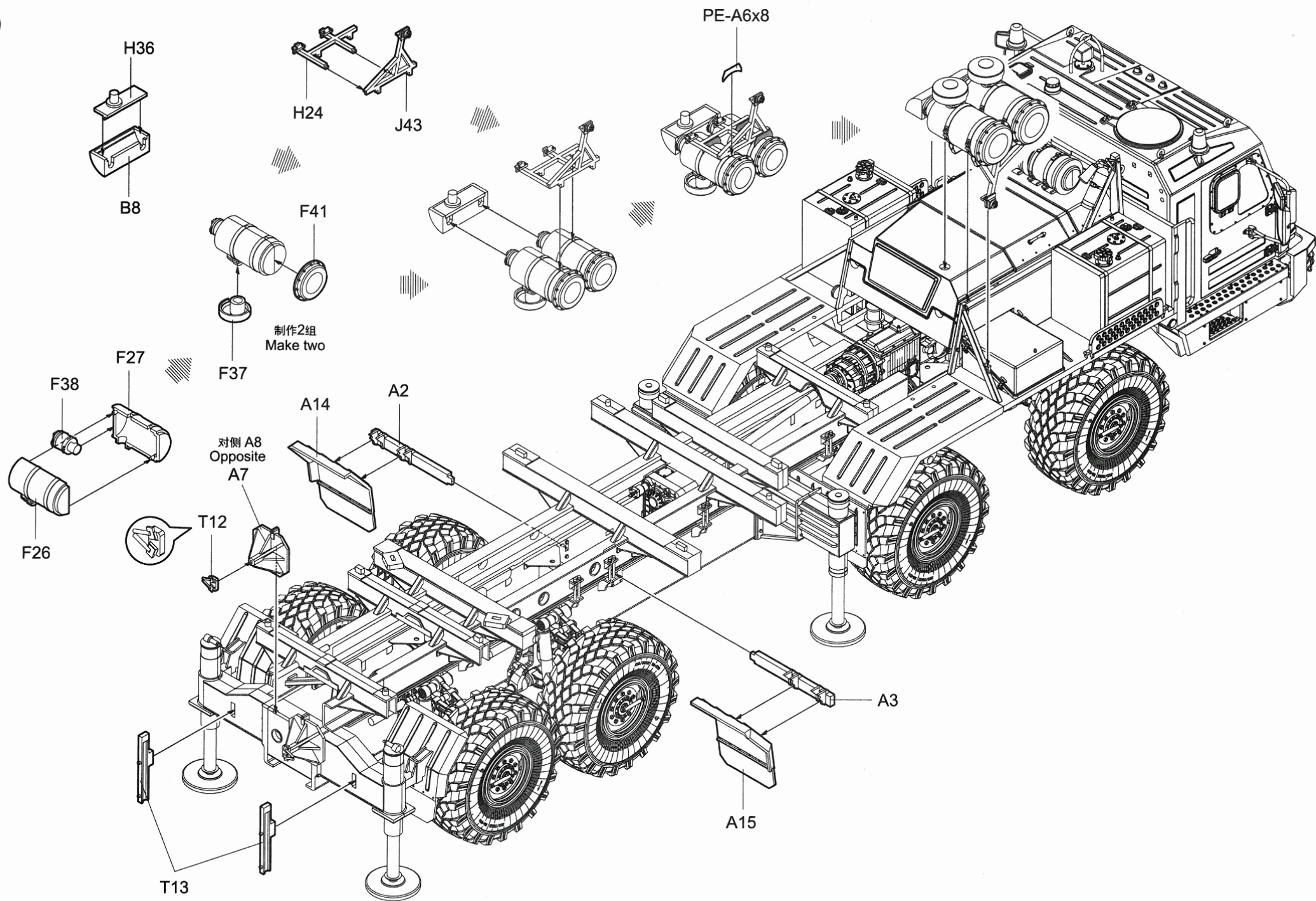


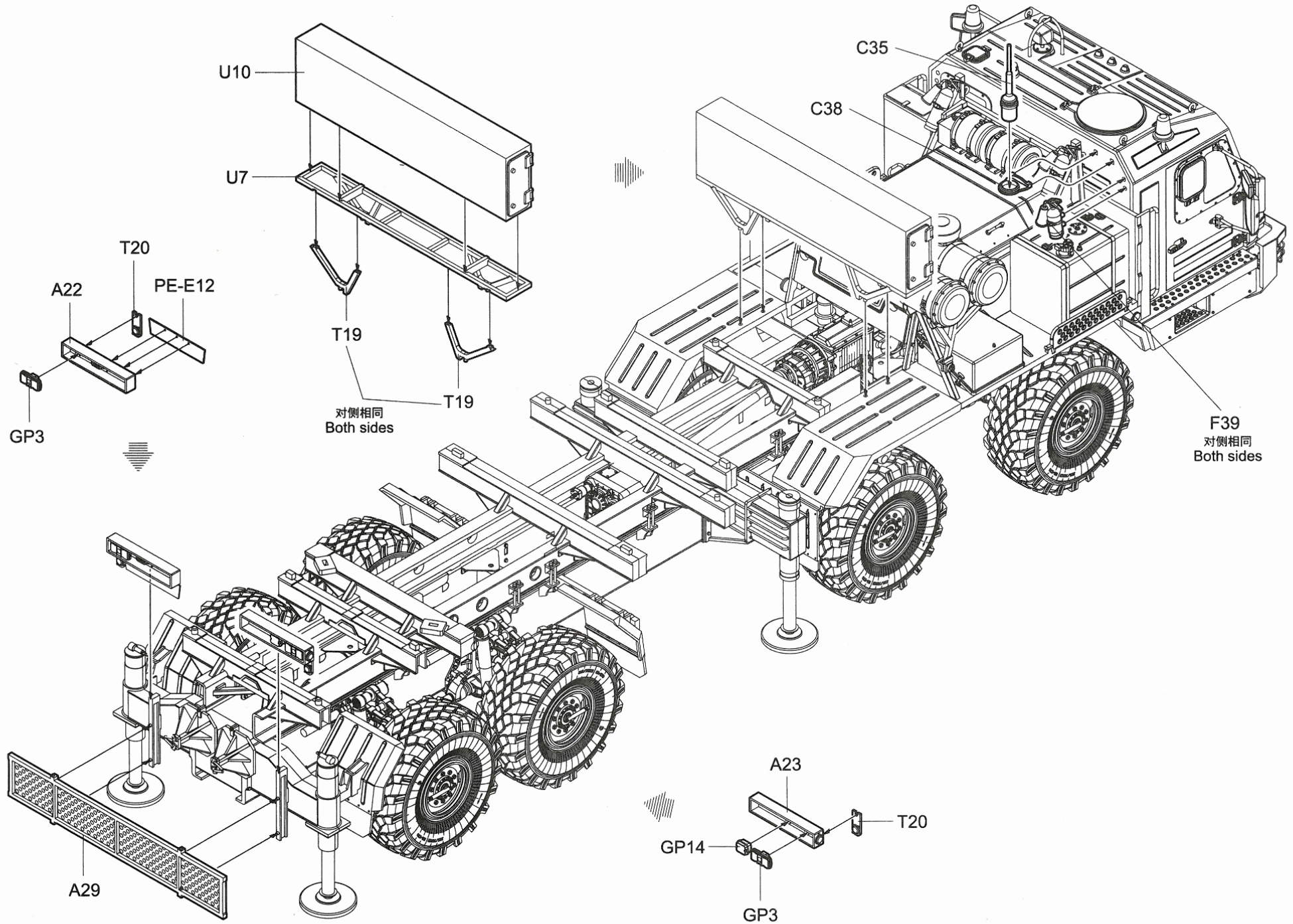
31



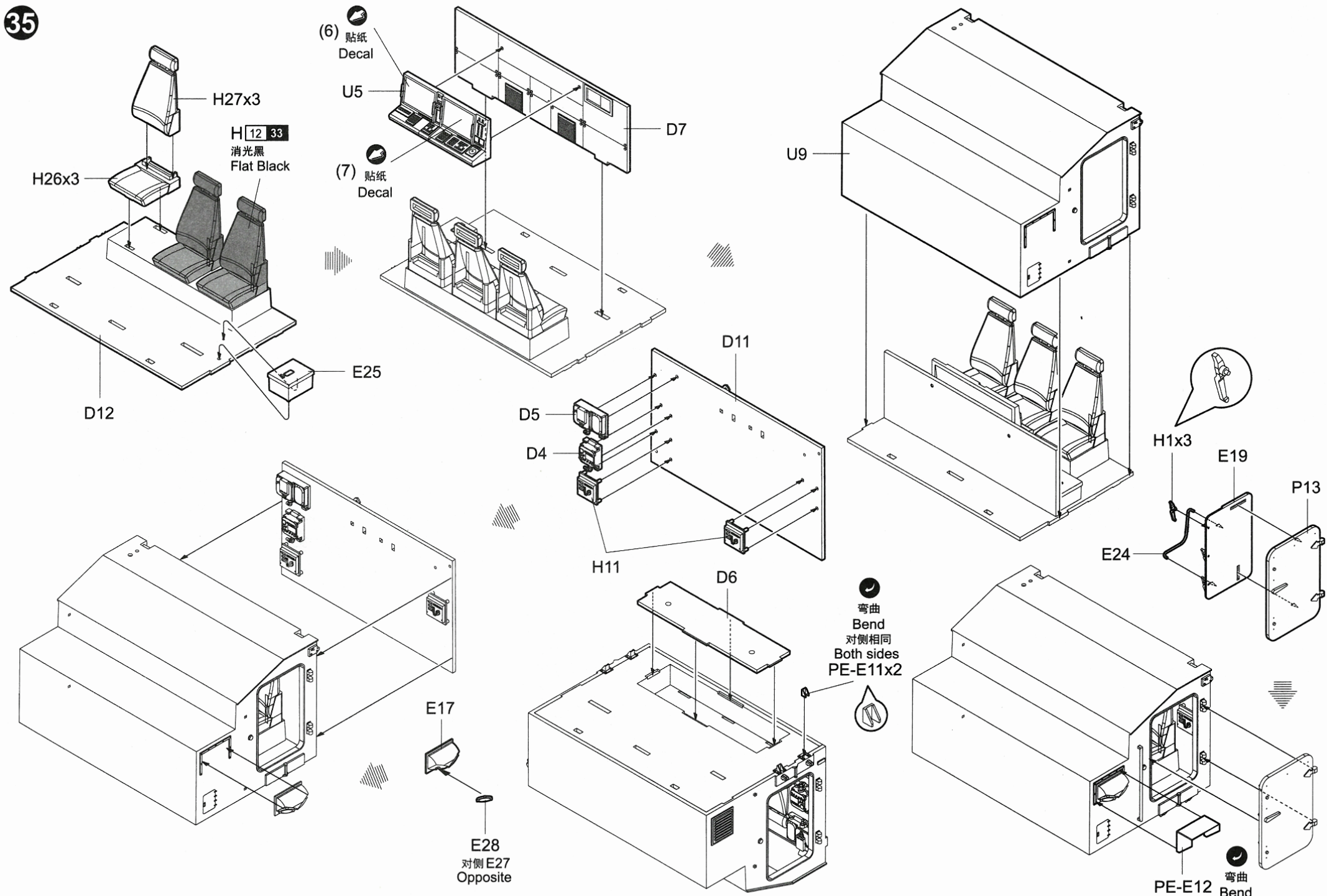




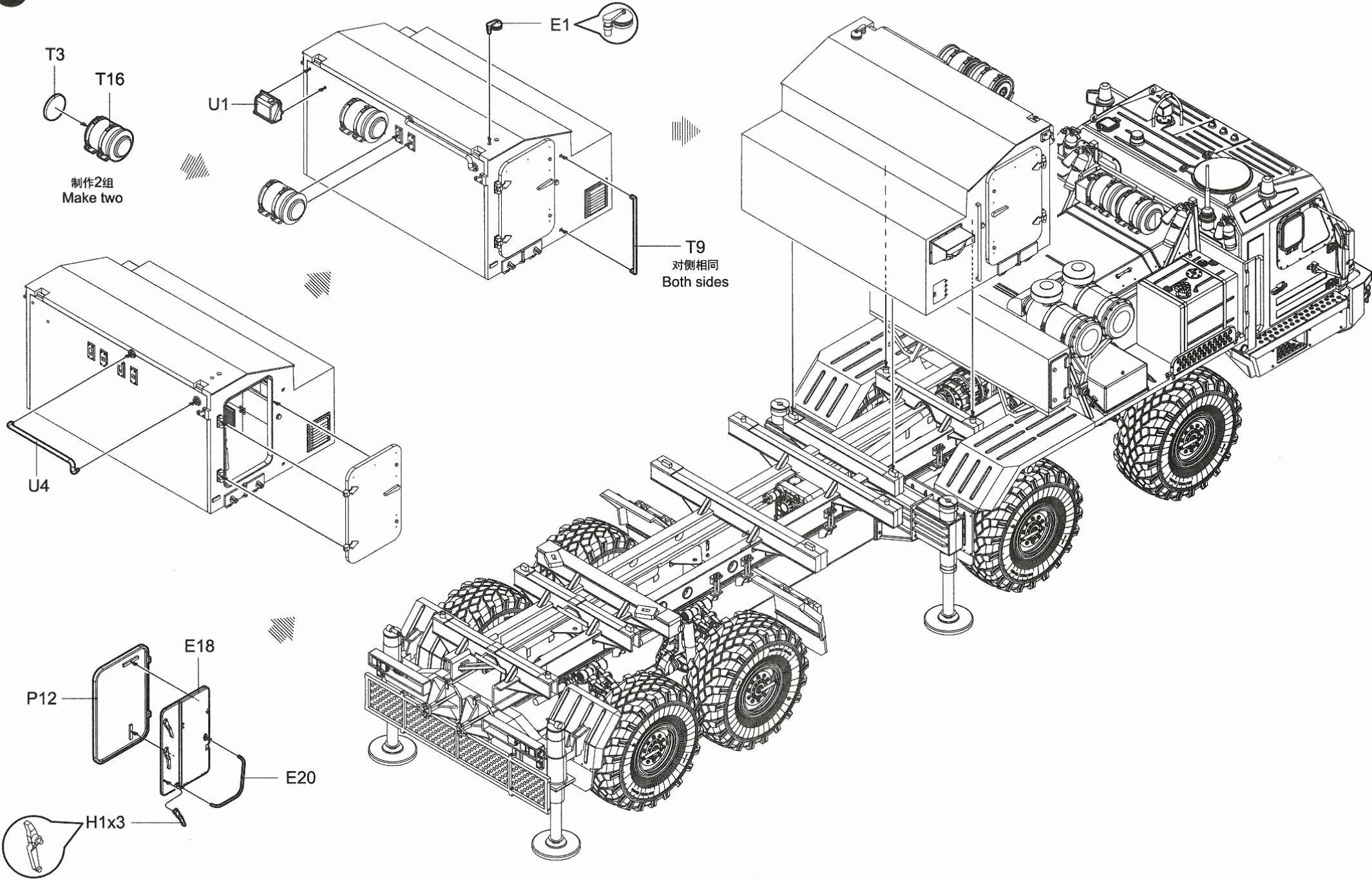




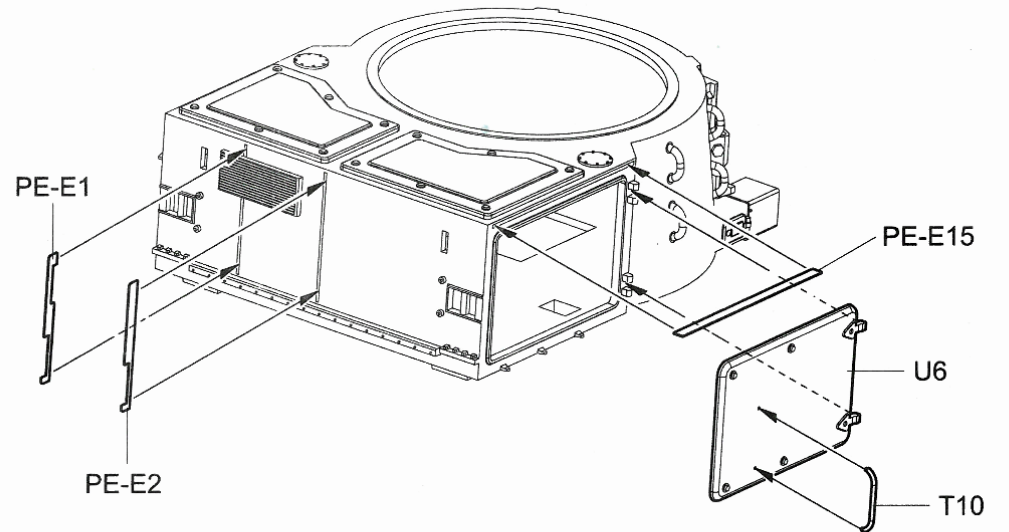
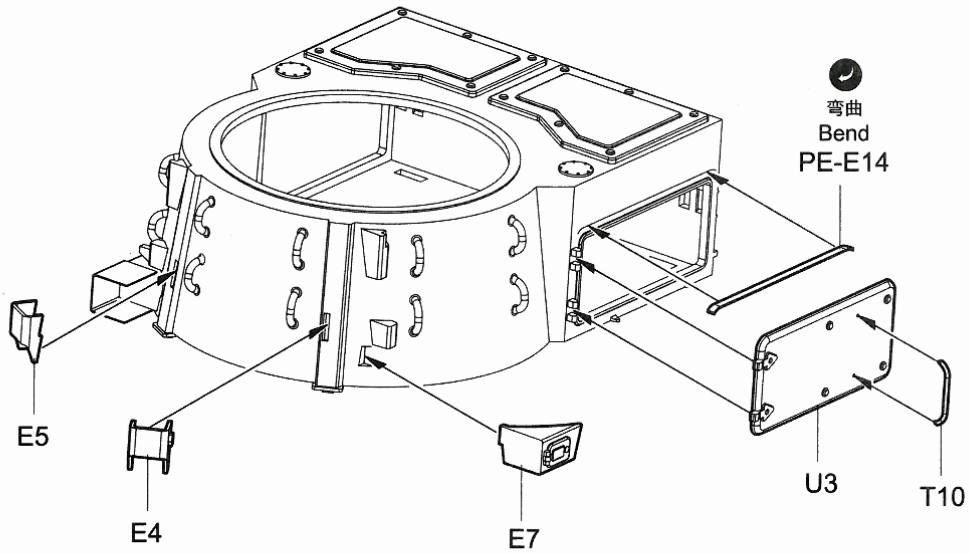
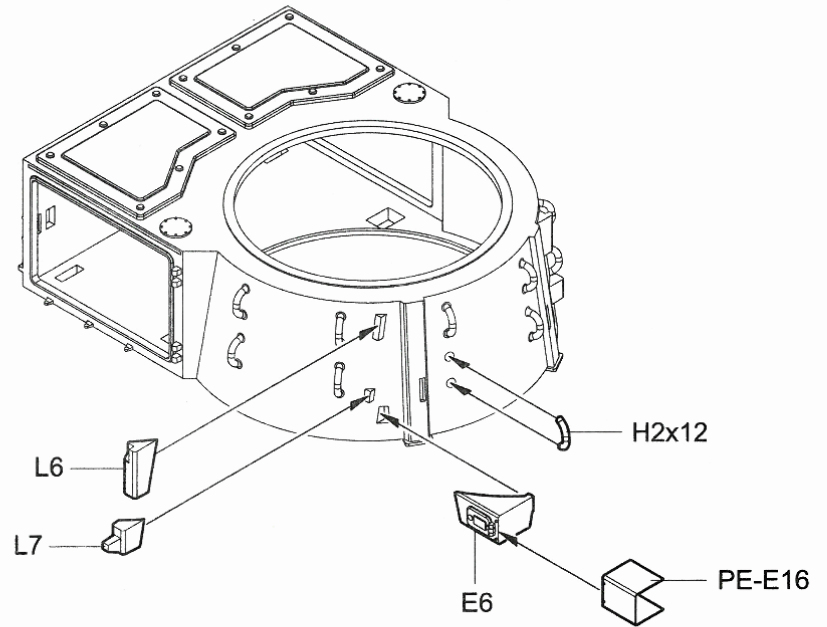
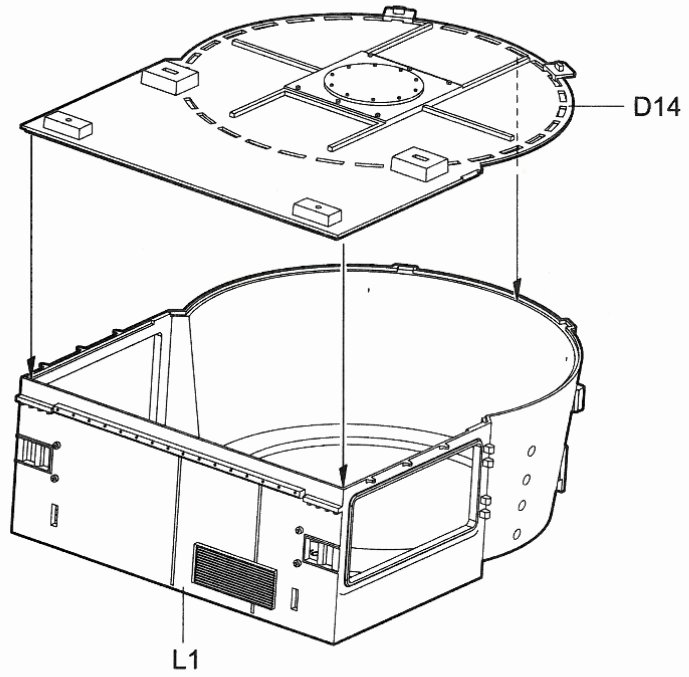


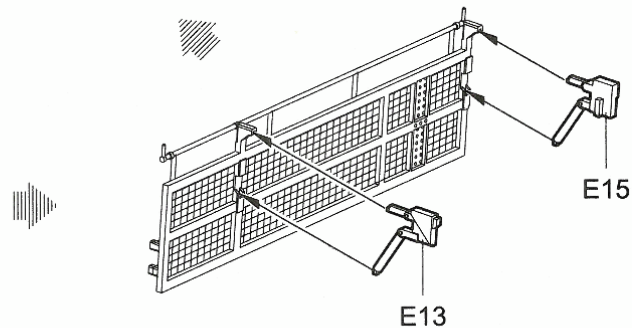
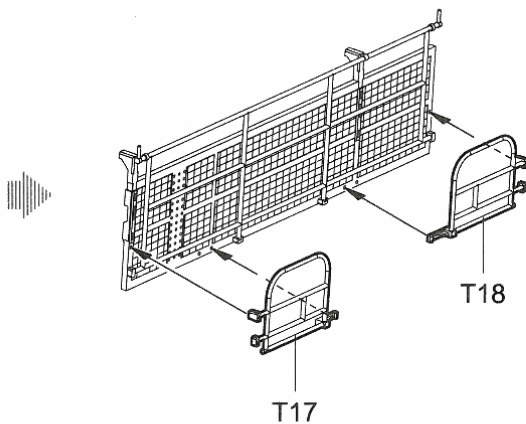
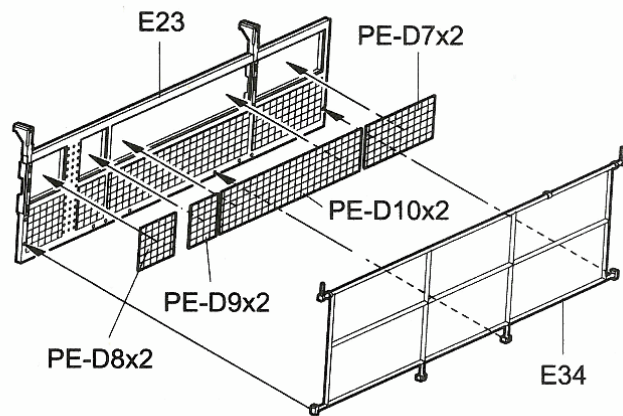
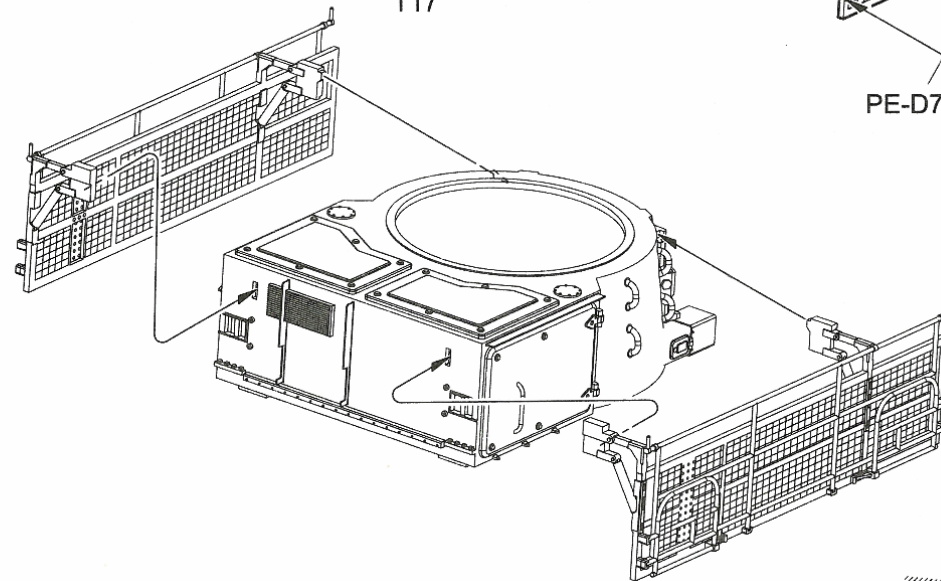
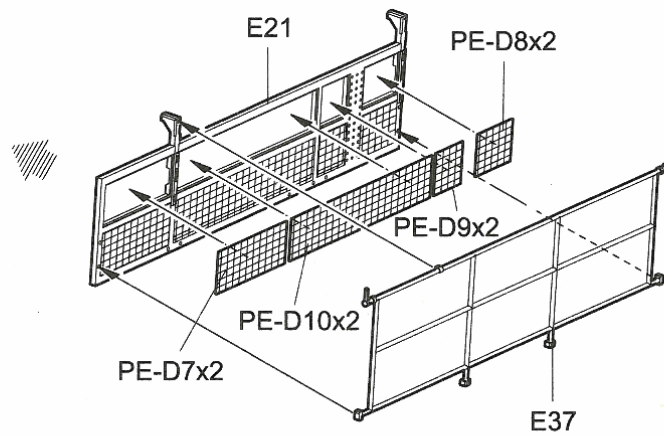
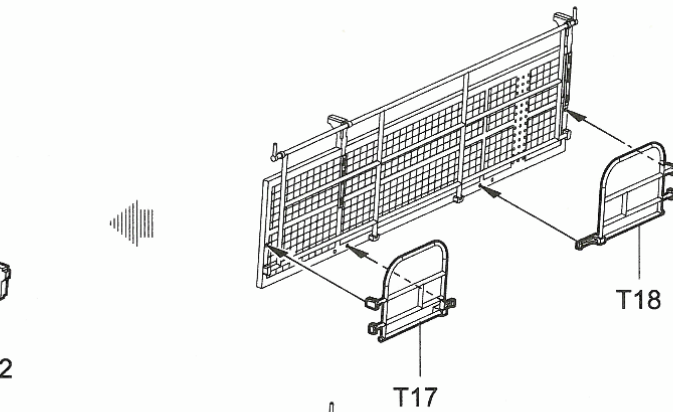
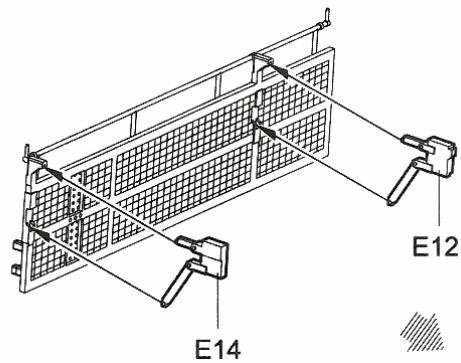


36

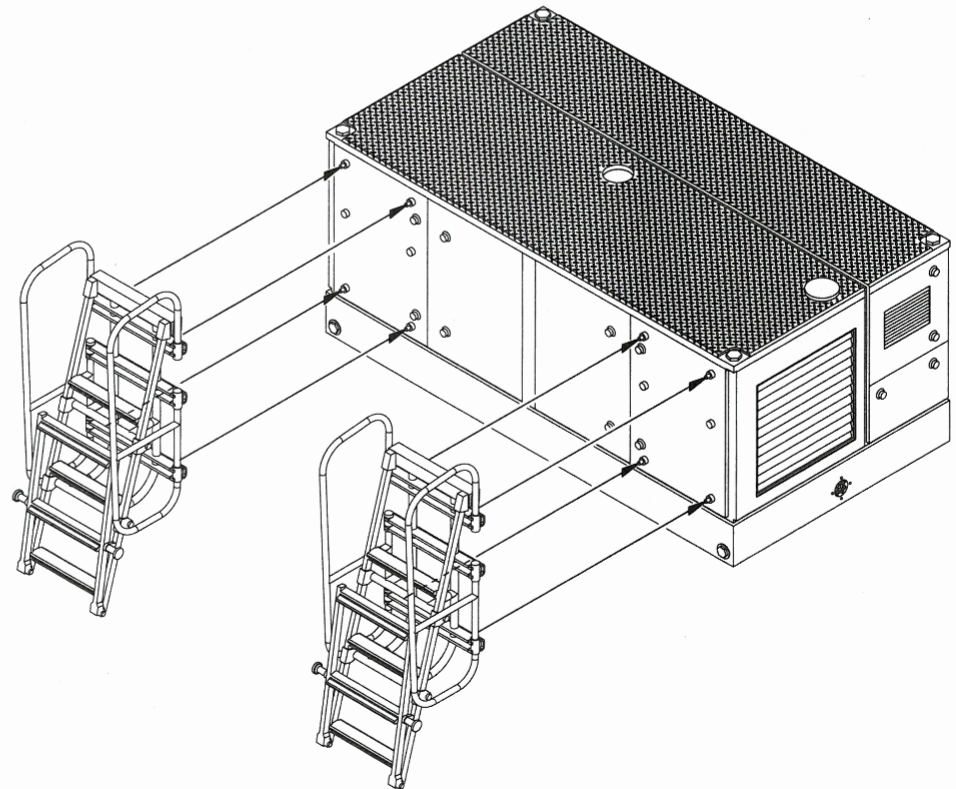
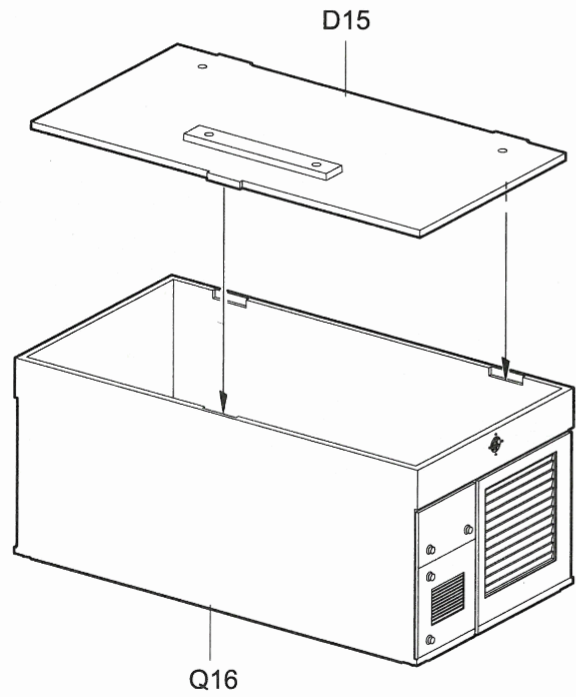
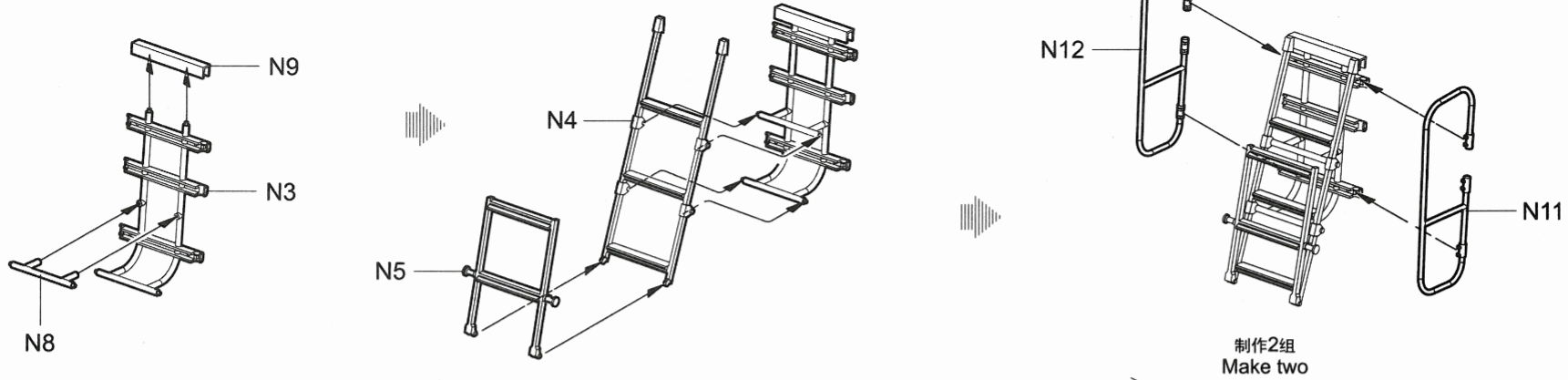


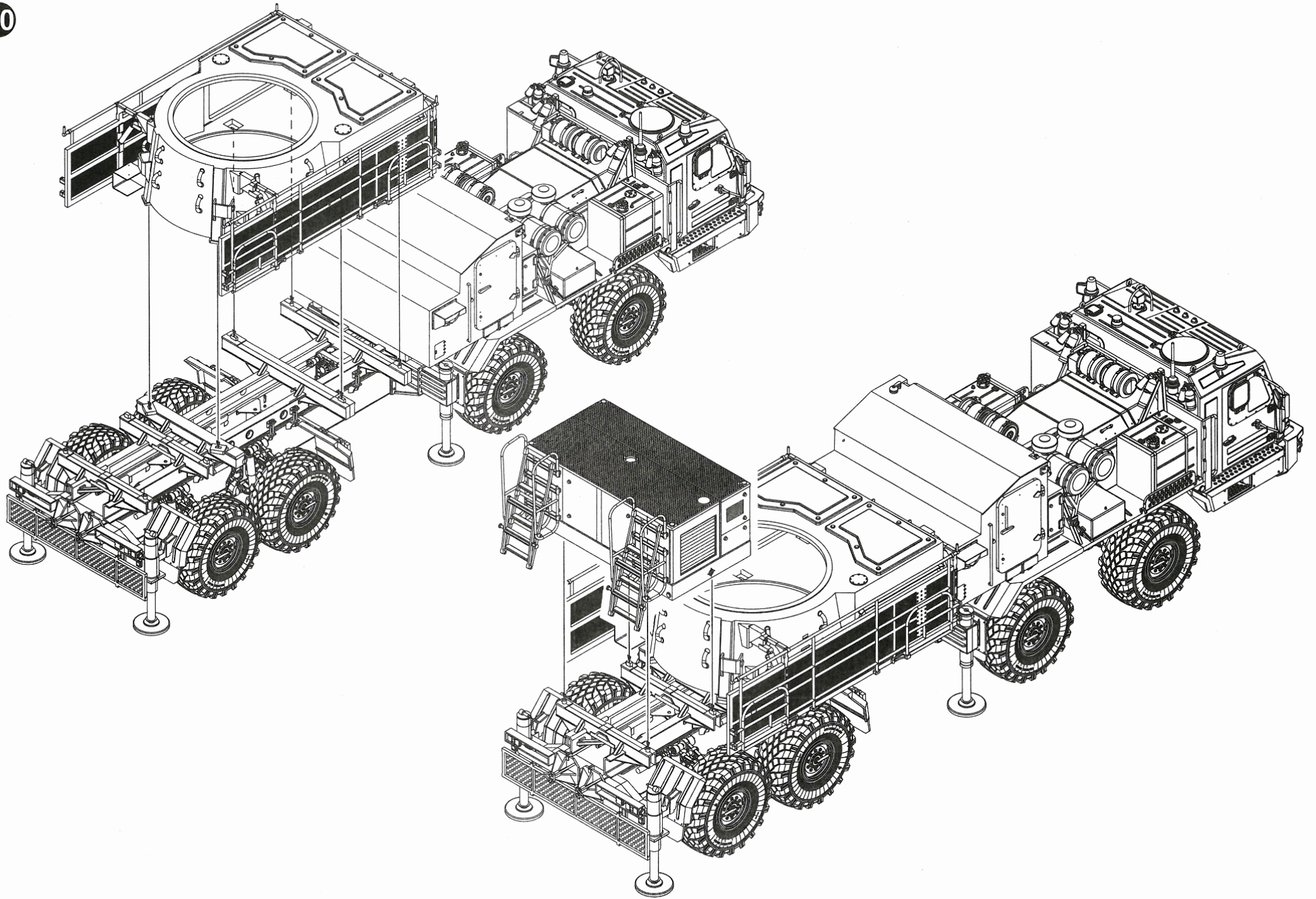






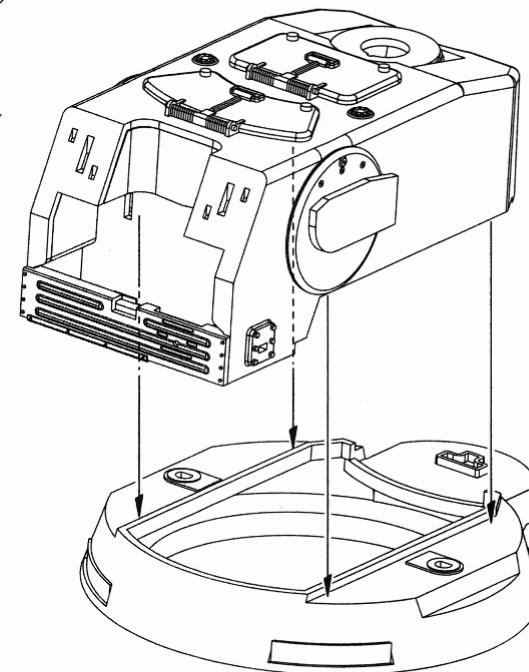
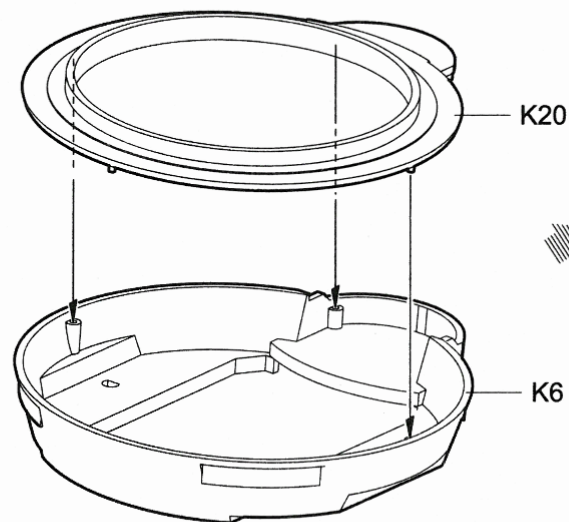
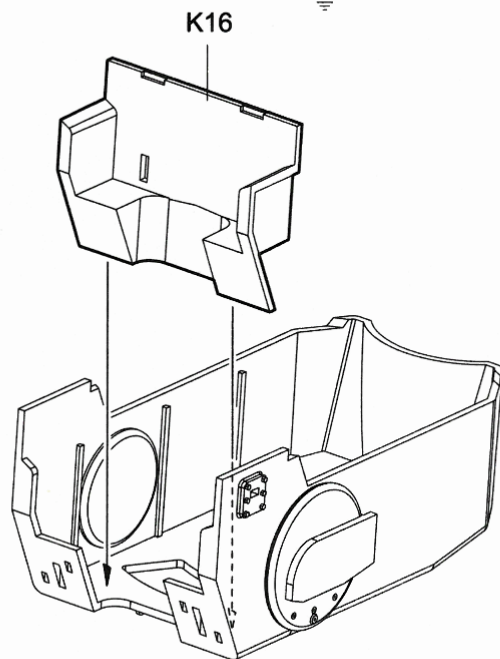
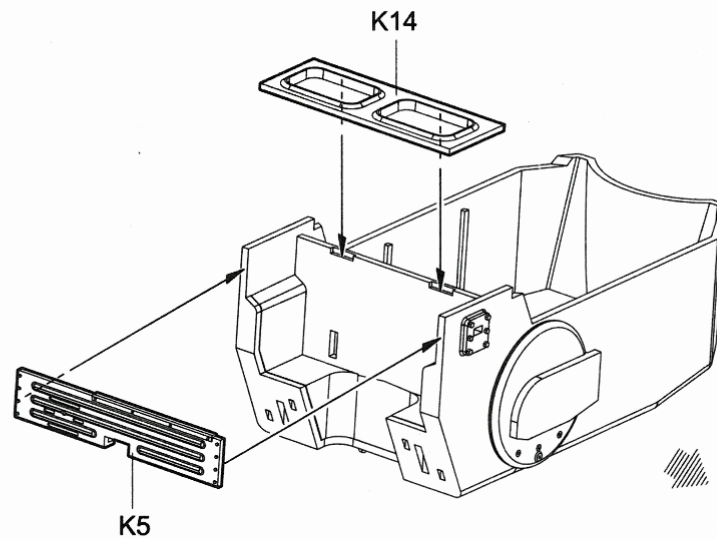
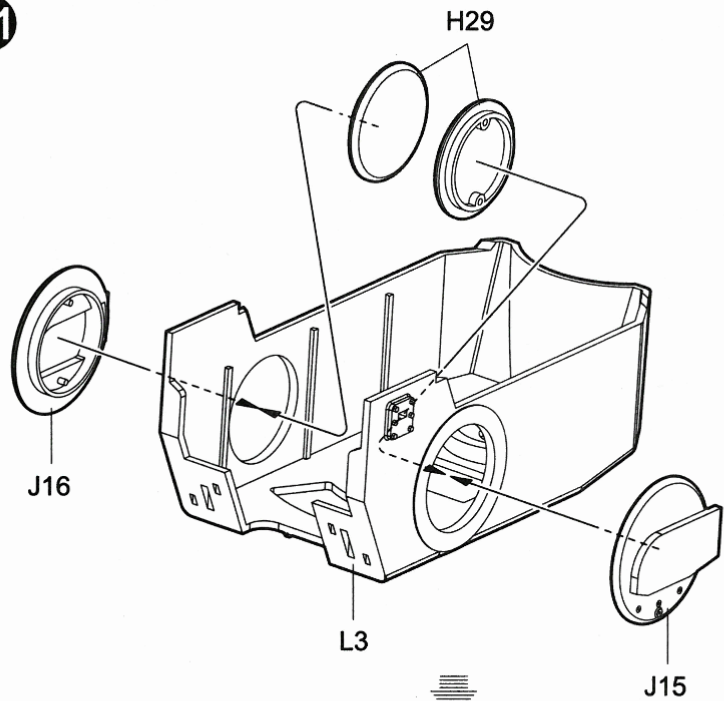


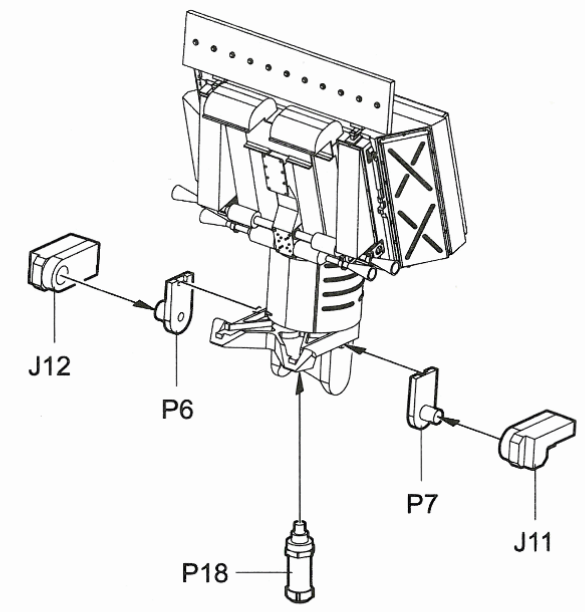
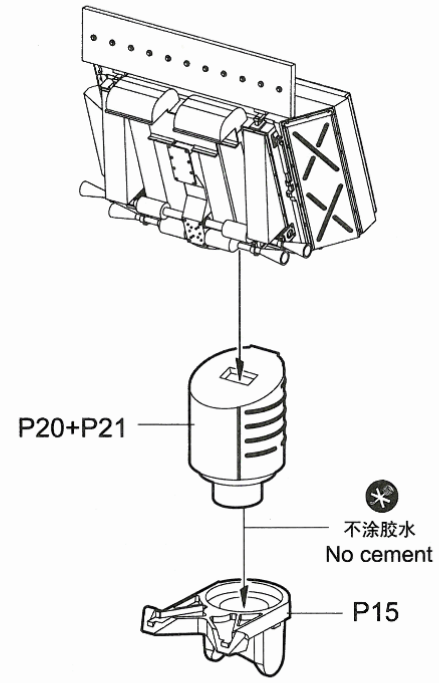
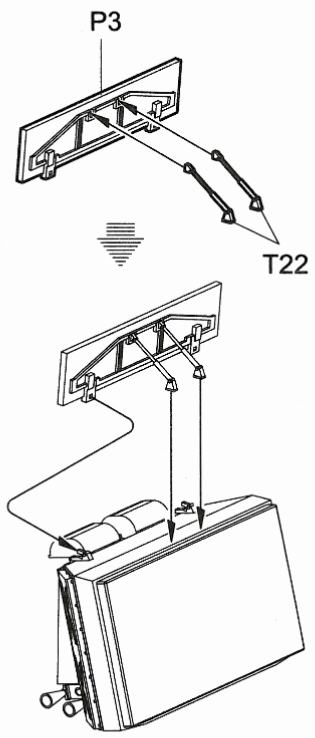
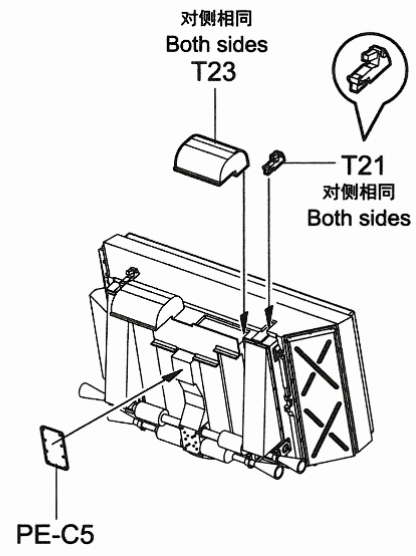
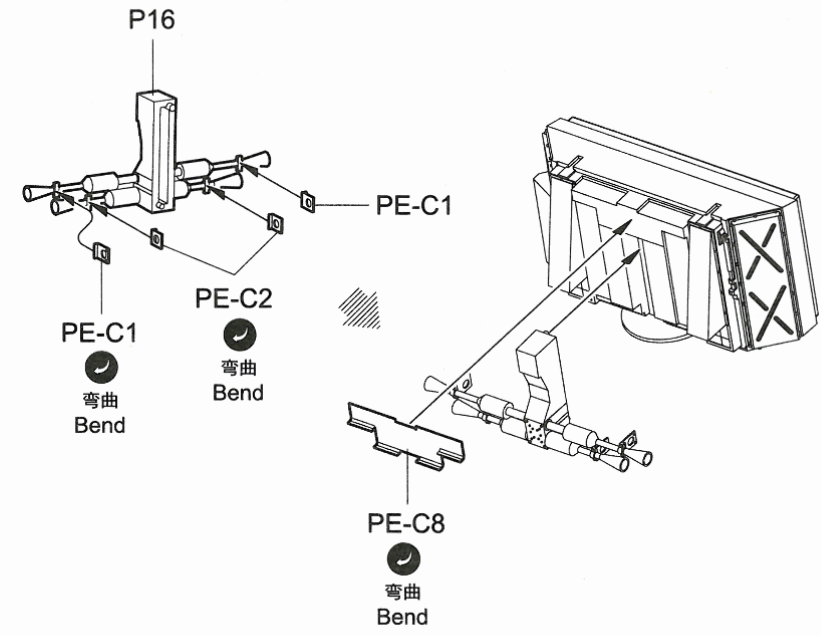
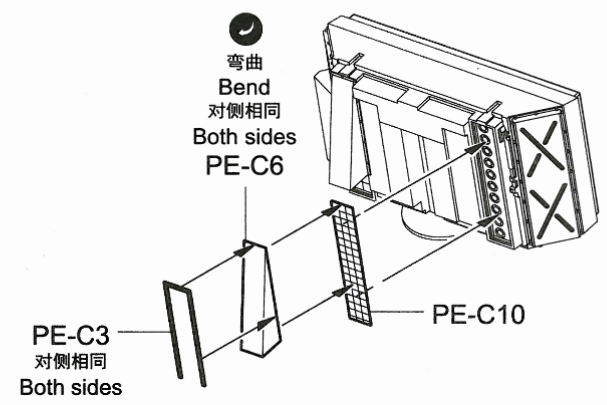
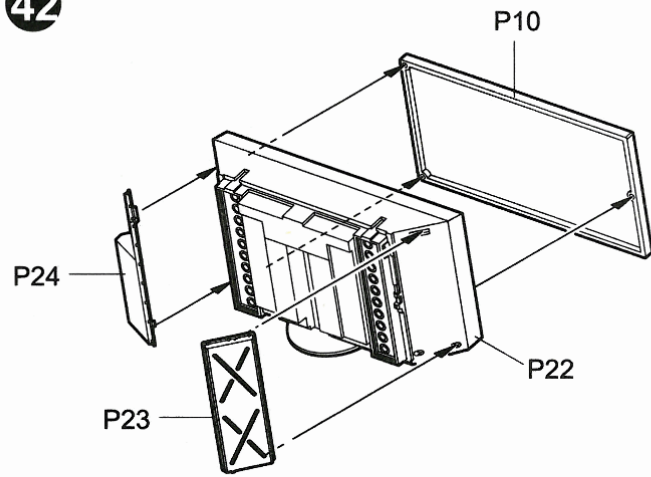




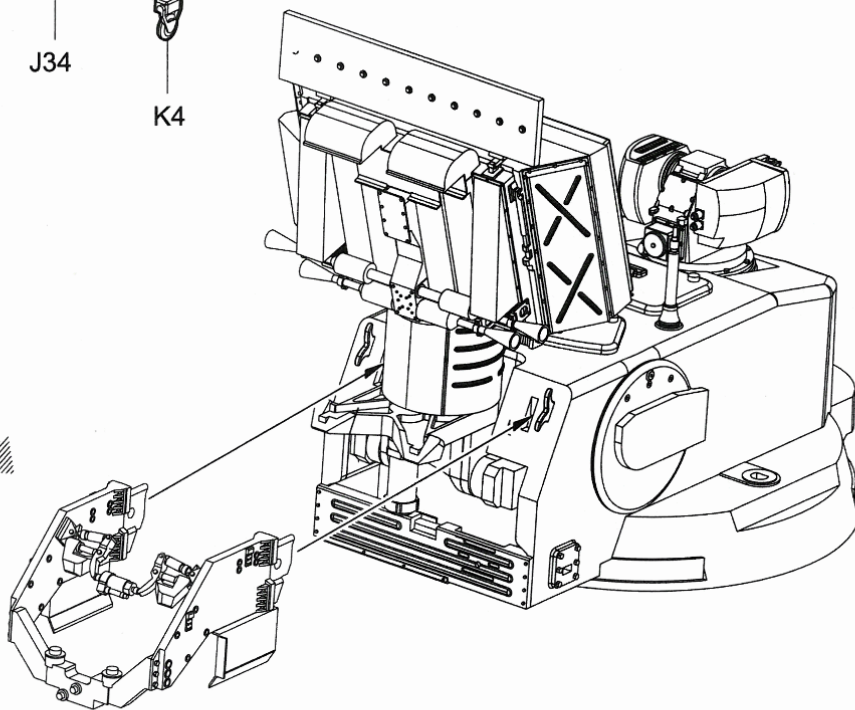
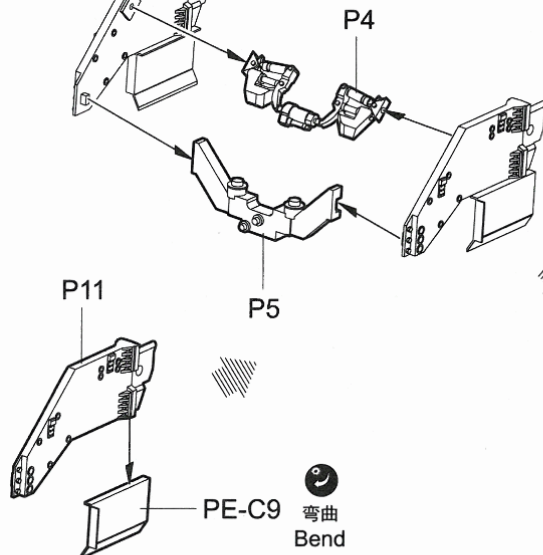
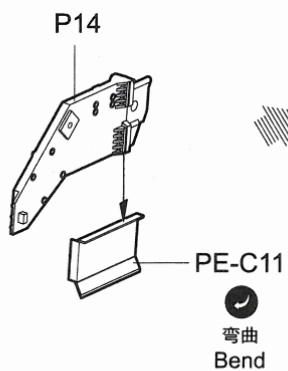
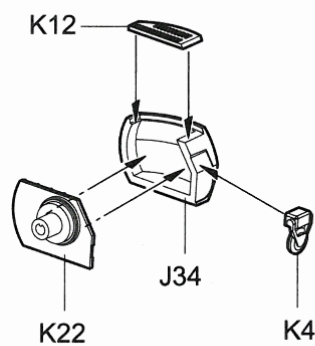
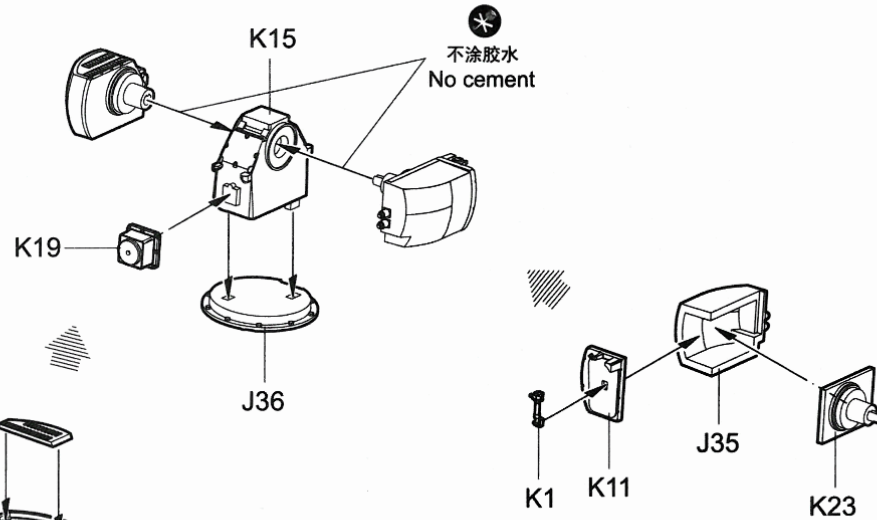
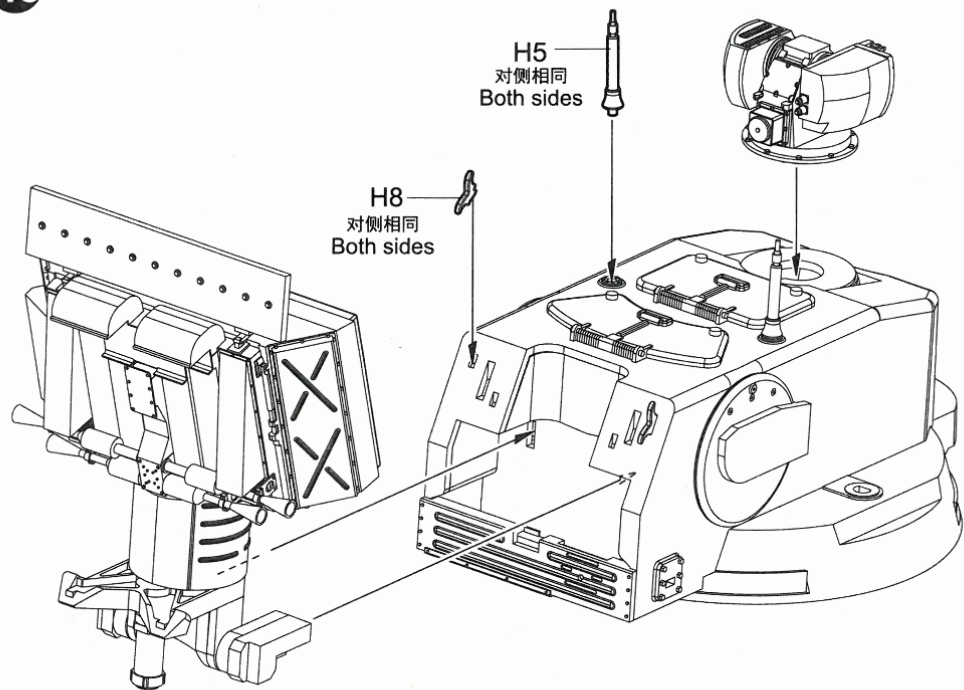


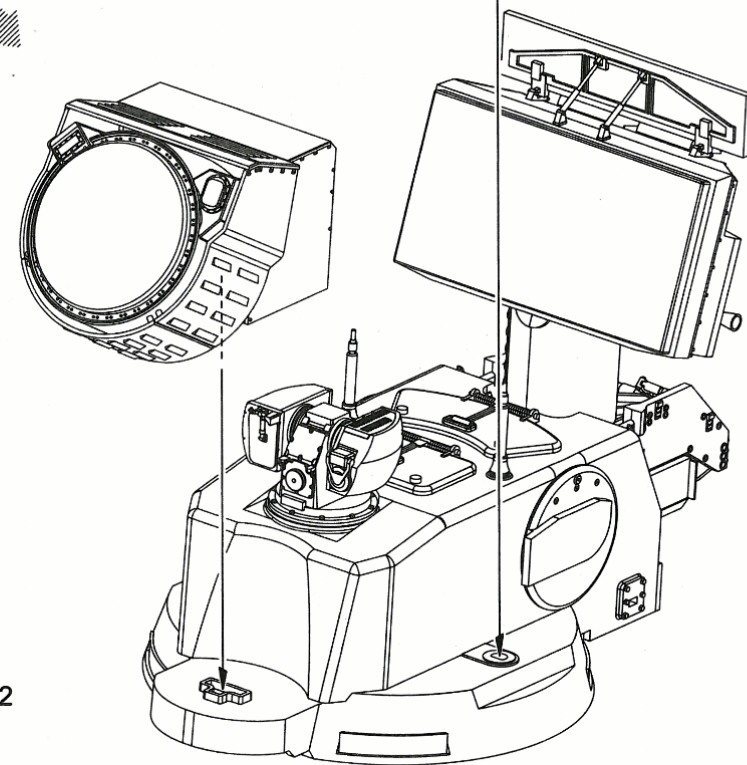
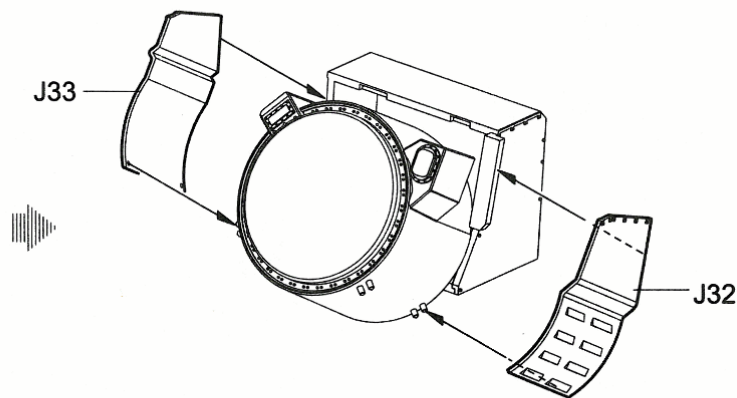
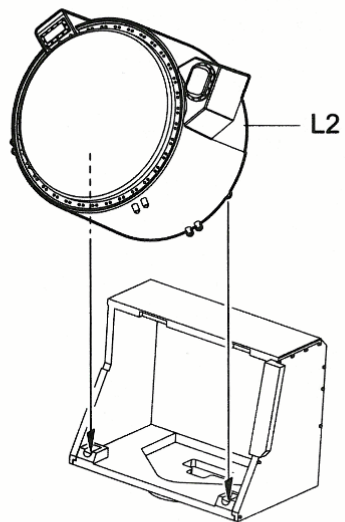
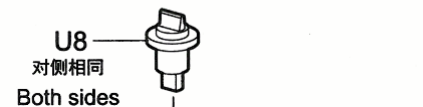
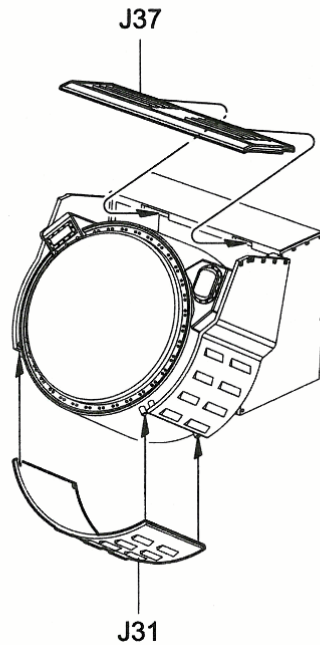
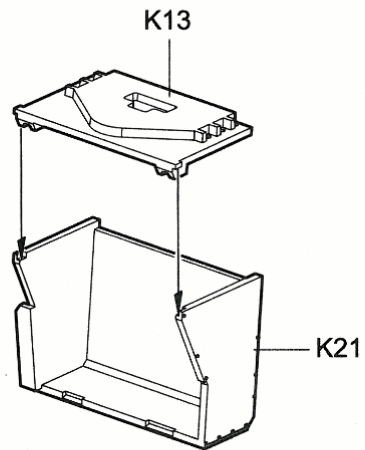
41



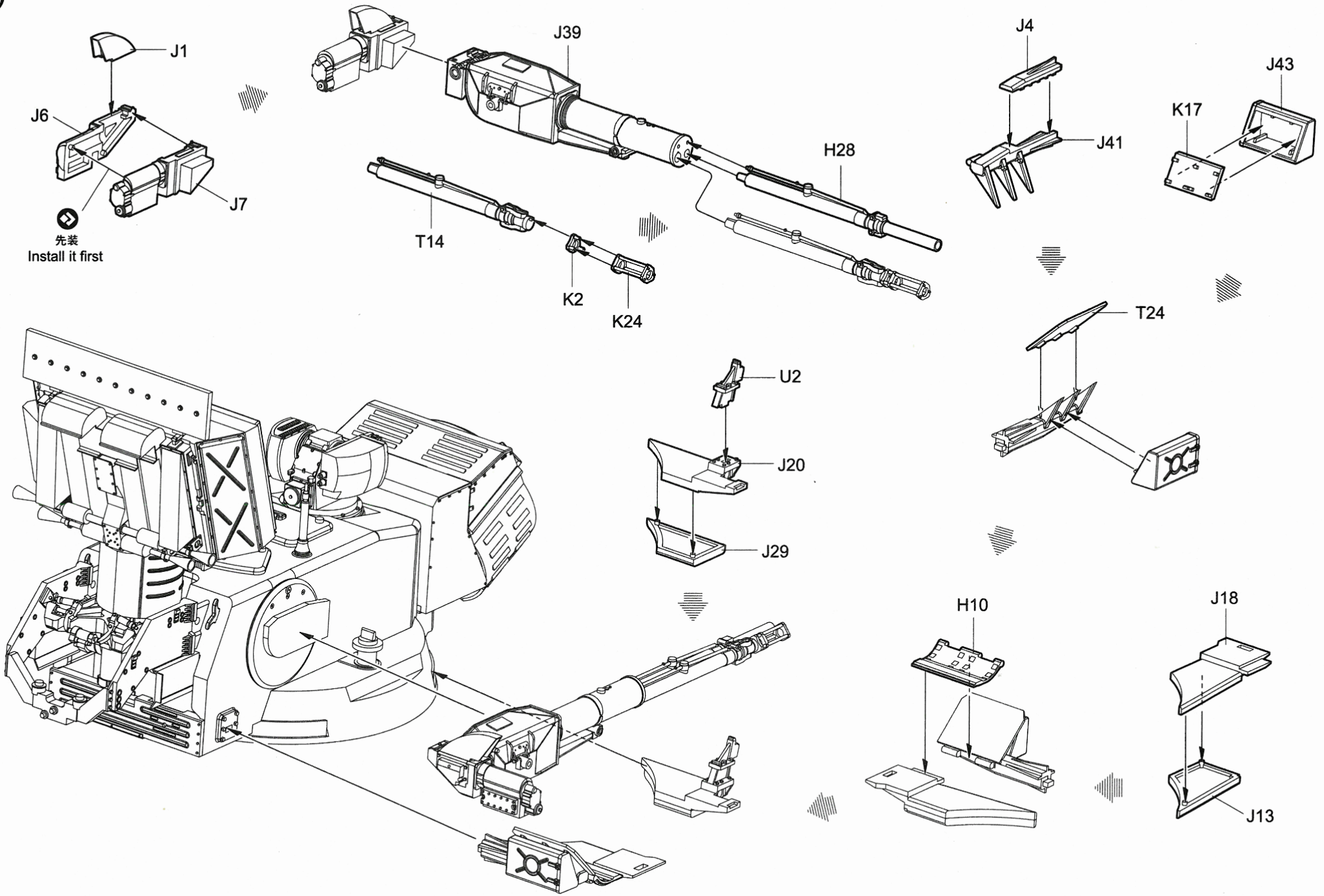




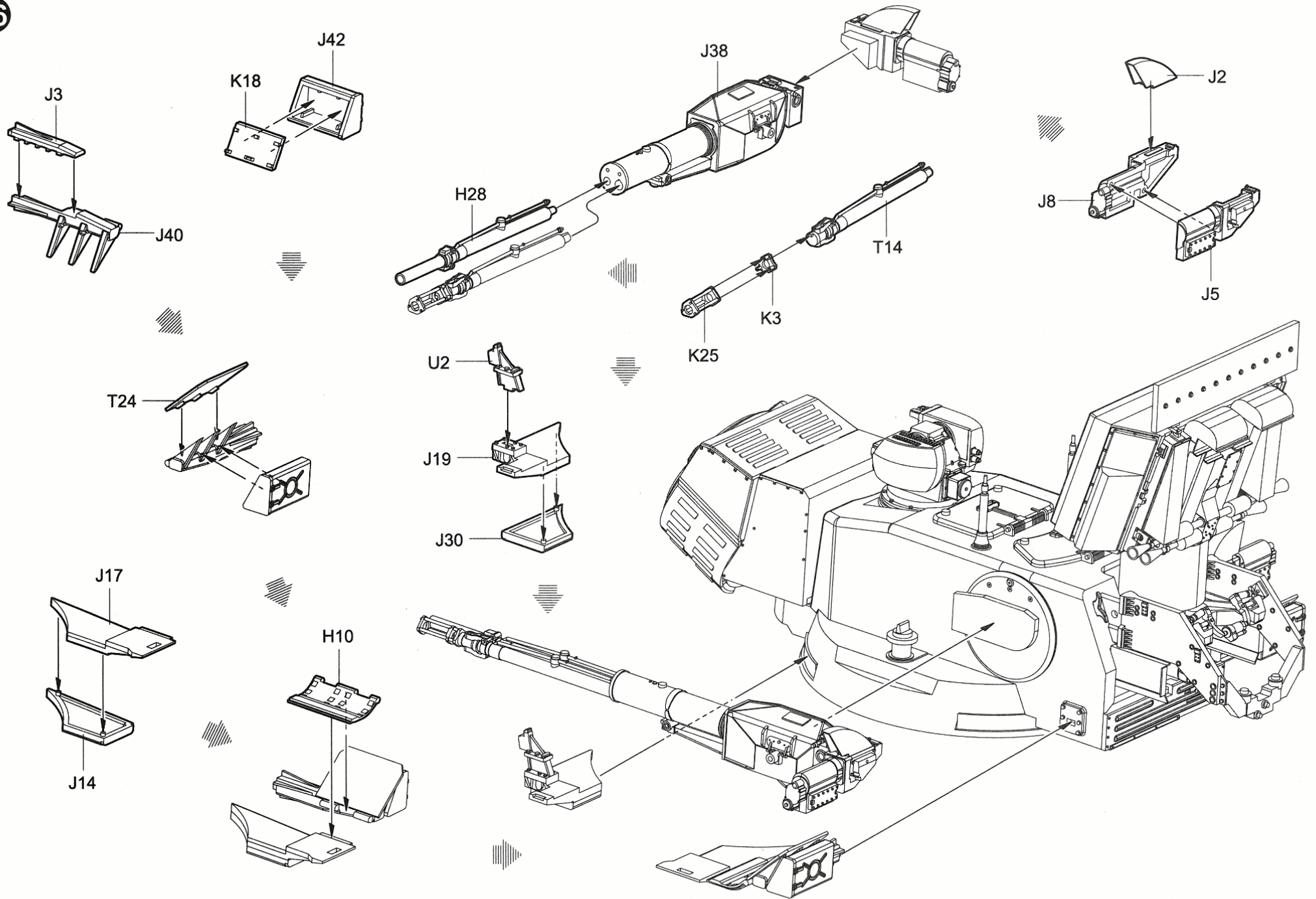






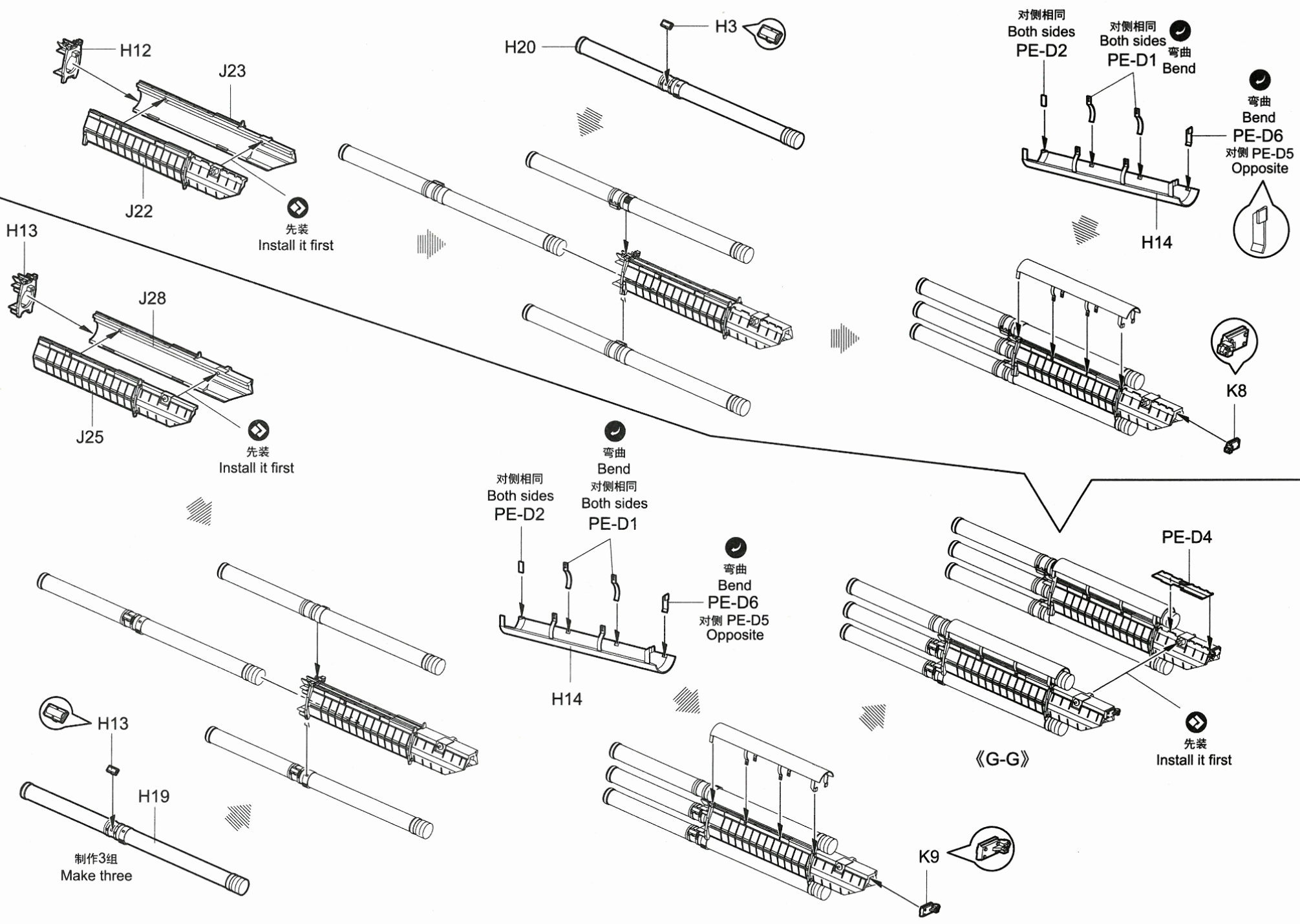


46

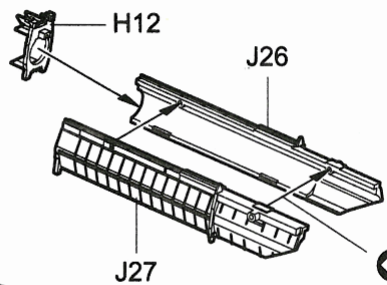




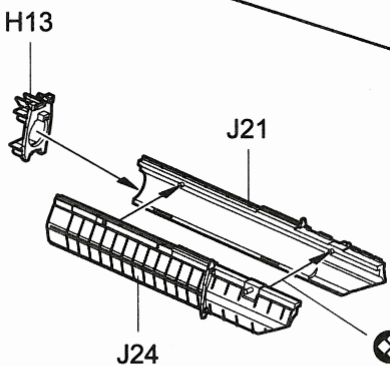
47



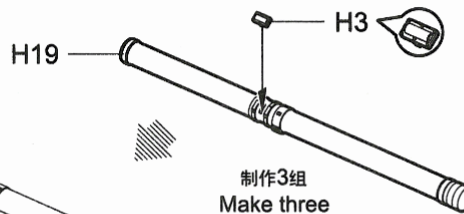
48



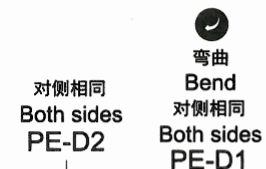
先装  
Install it first



先装  
Install it first



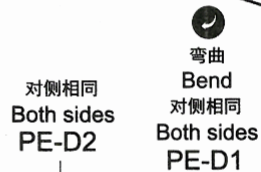
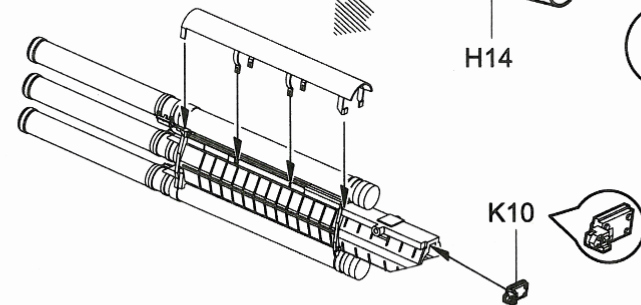
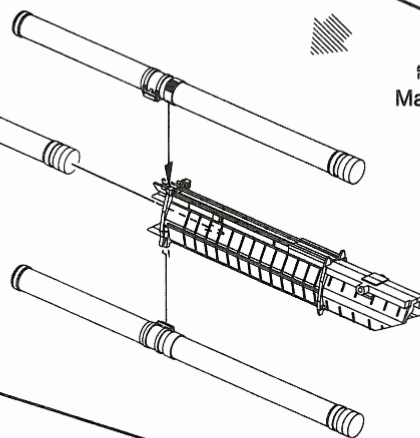
制作3组  
Make three



弯曲  
Bend  
对侧相同  
Both sides  
PE-D1



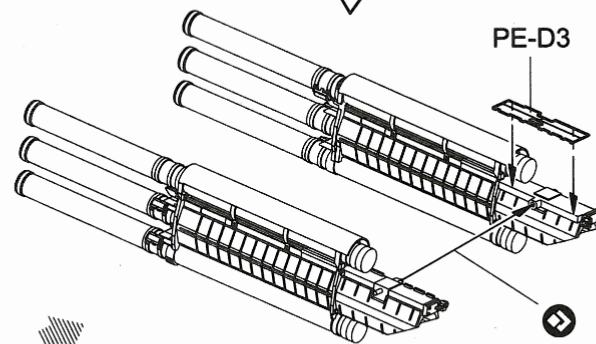
弯曲  
Bend  
PE-D6  
对侧 PE-D5  
Opposite



对侧相同  
Both sides  
PE-D2  
弯曲  
Bend  
对侧相同  
Both sides  
PE-D1

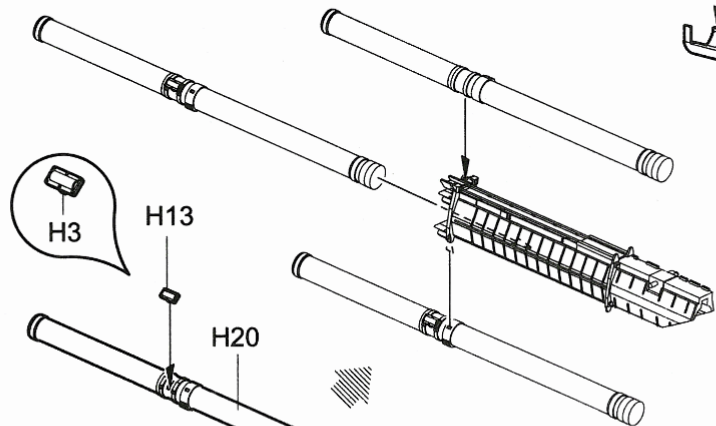


弯曲  
Bend  
PE-D6  
对侧 PE-D5  
Opposite

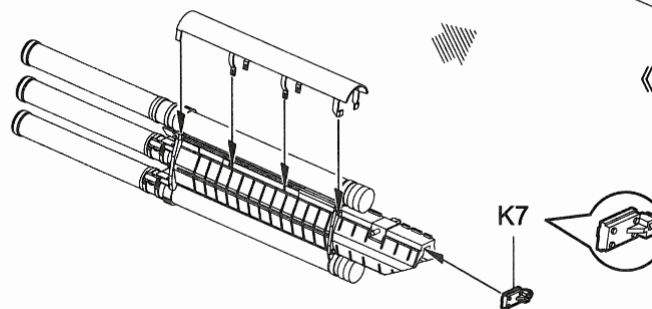


PE-D3

先装  
Install it first



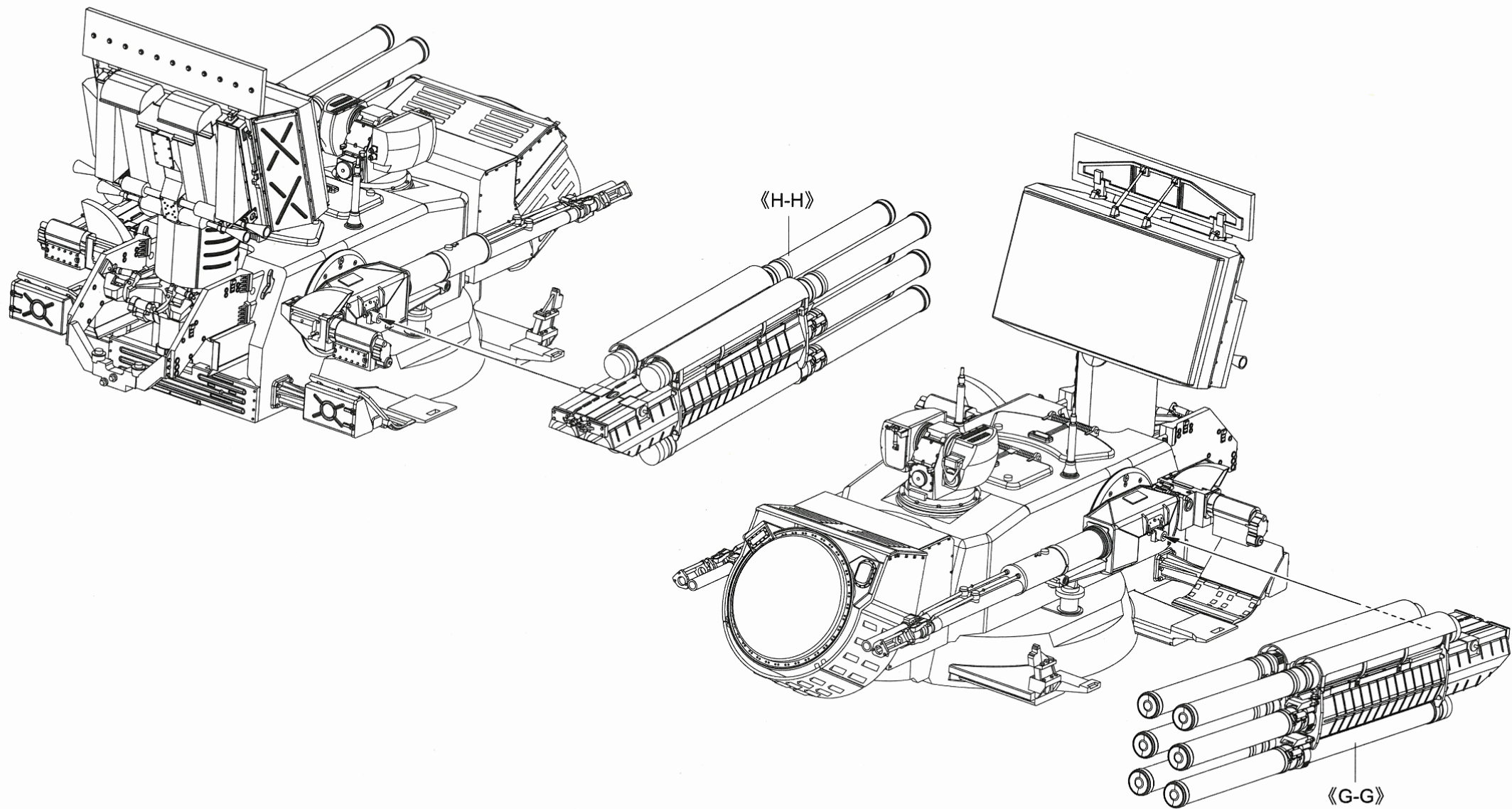
制作3组  
Make three

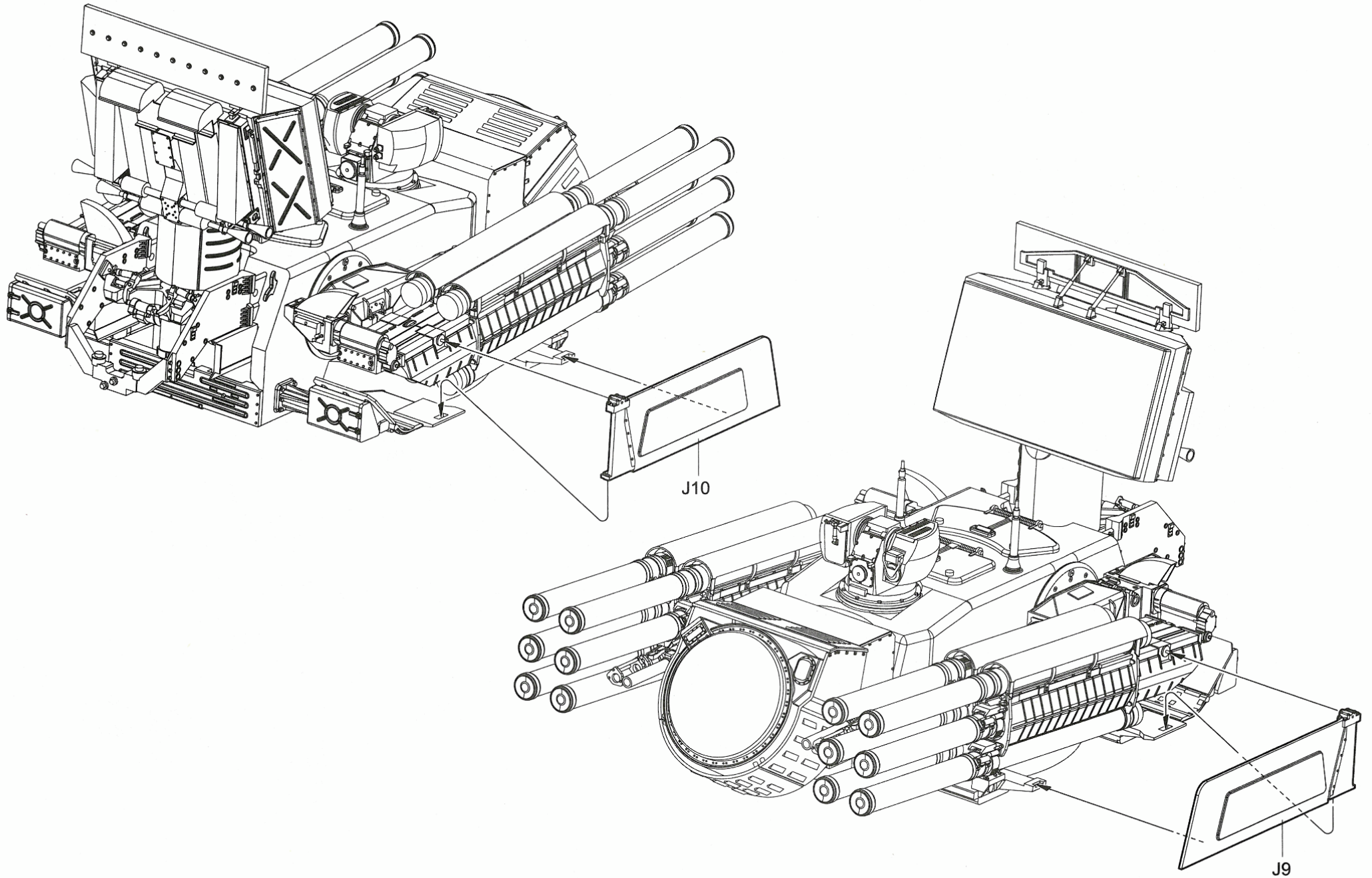


K7

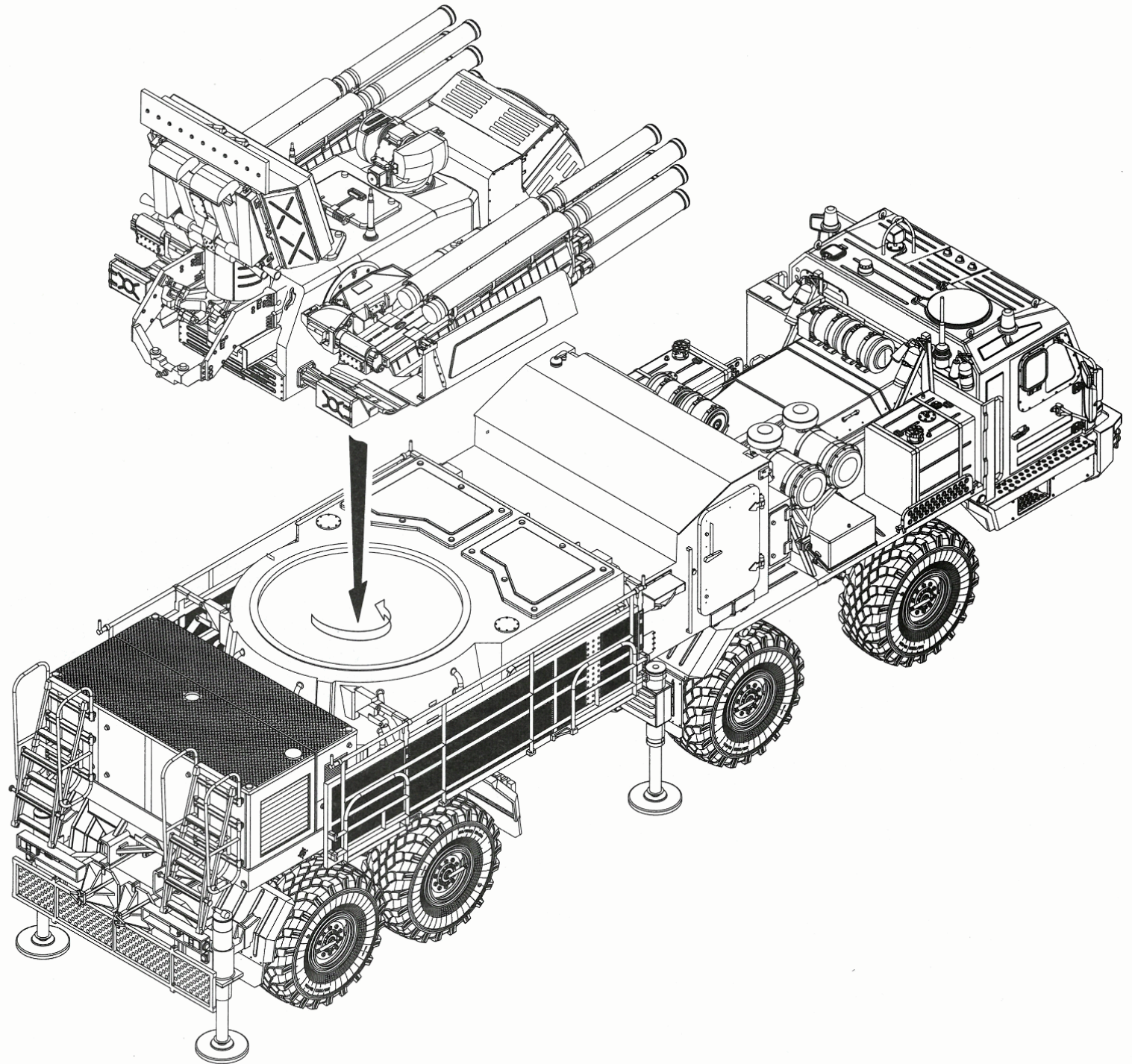
《H-H》

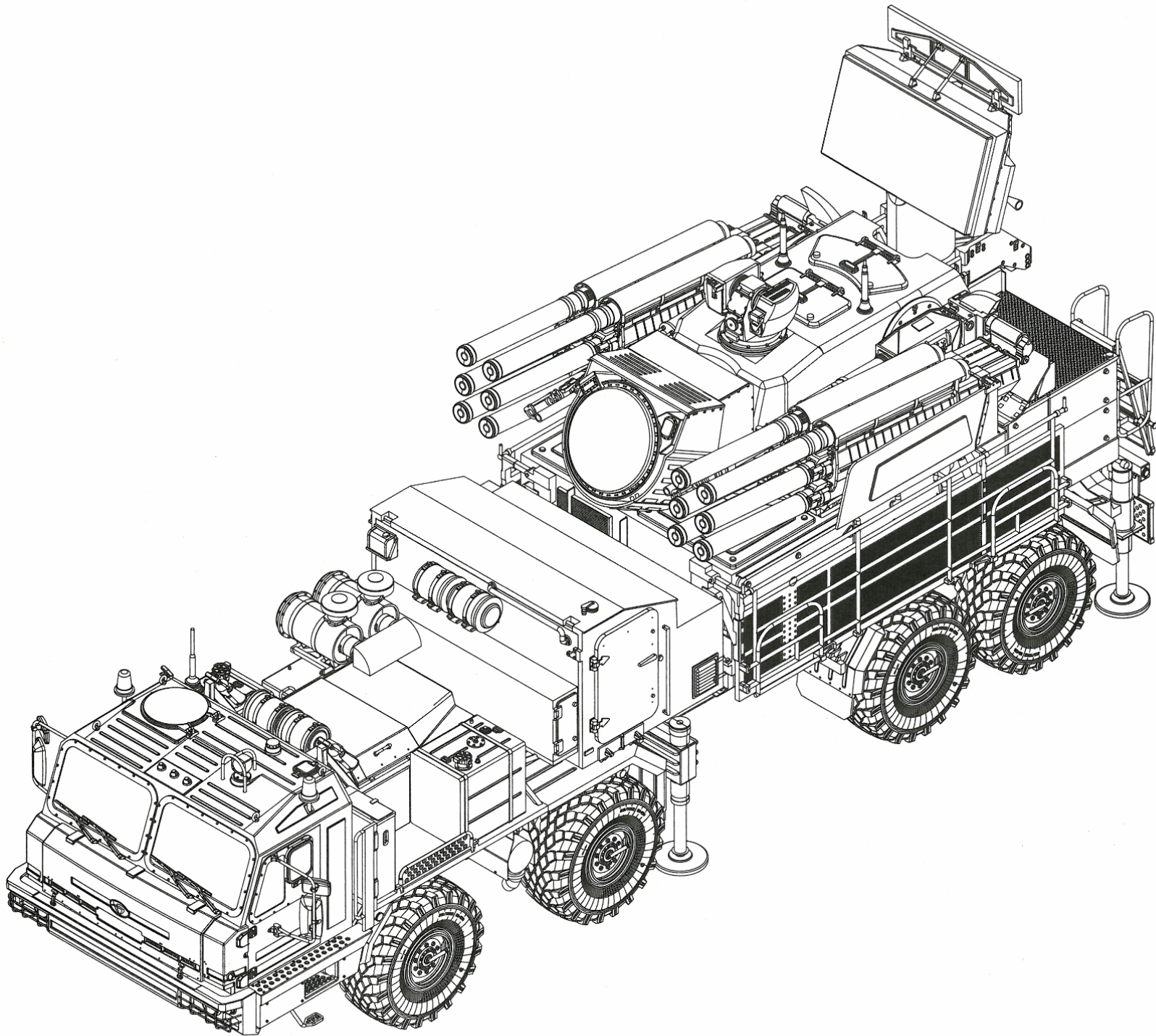










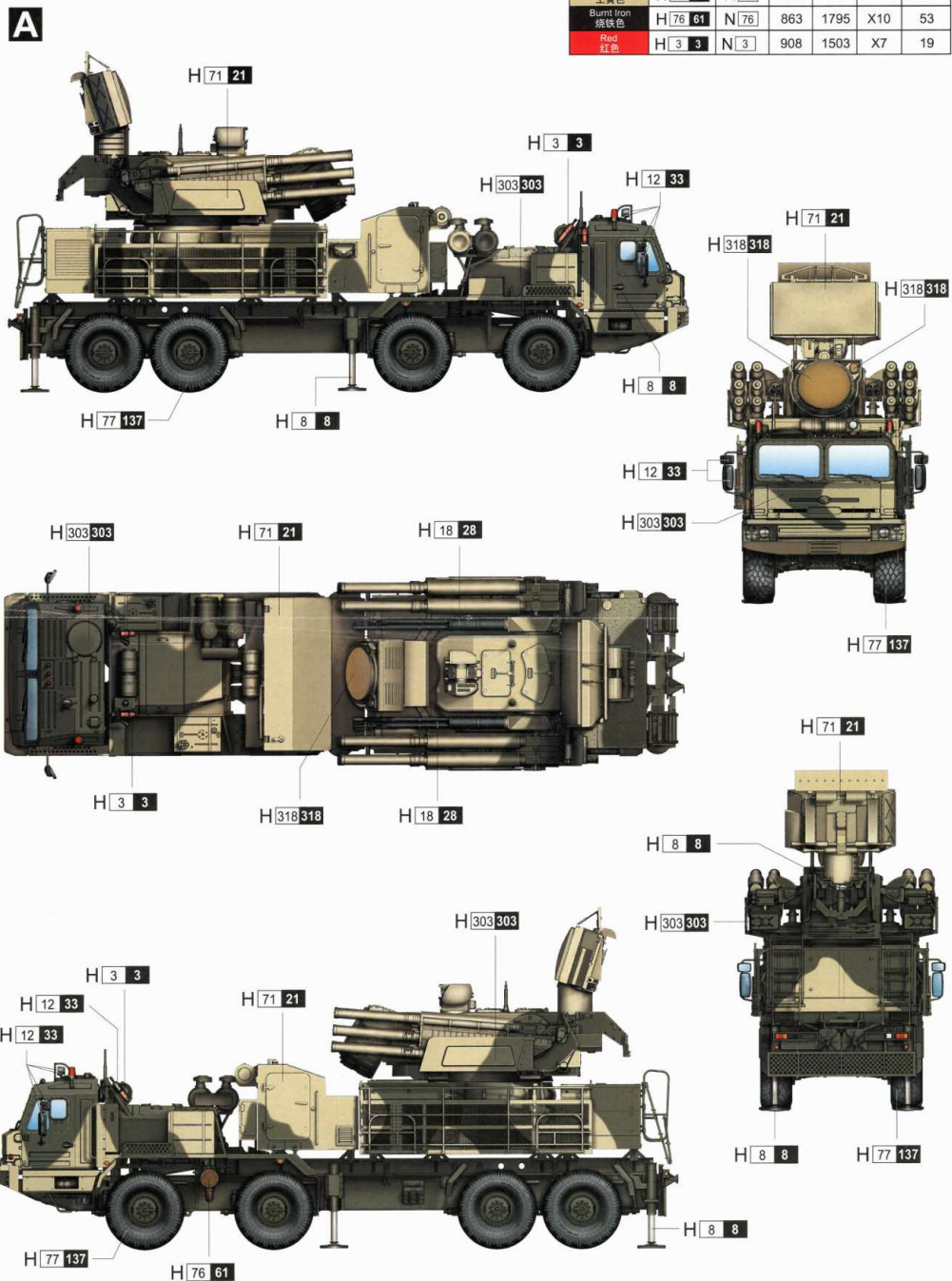




# 涂装同标贴指示 Painting & Marking guide

## PAINT REFERENCE COLOR

Color	Mr.Hobby	Acrycion	Vallejo	Model Master	Tamiya	Humbrol
Light Green 绿色	H 303 303	N 303	-	1713	XF20	117
Middle Stone 土黄色	H 71 21	N 71	821	-	-	84
Burnt Iron 烧铁色	H 76 61	N 76	863	1795	X10	53
Red 红色	H 3 3	N 3	908	1503	X7	19



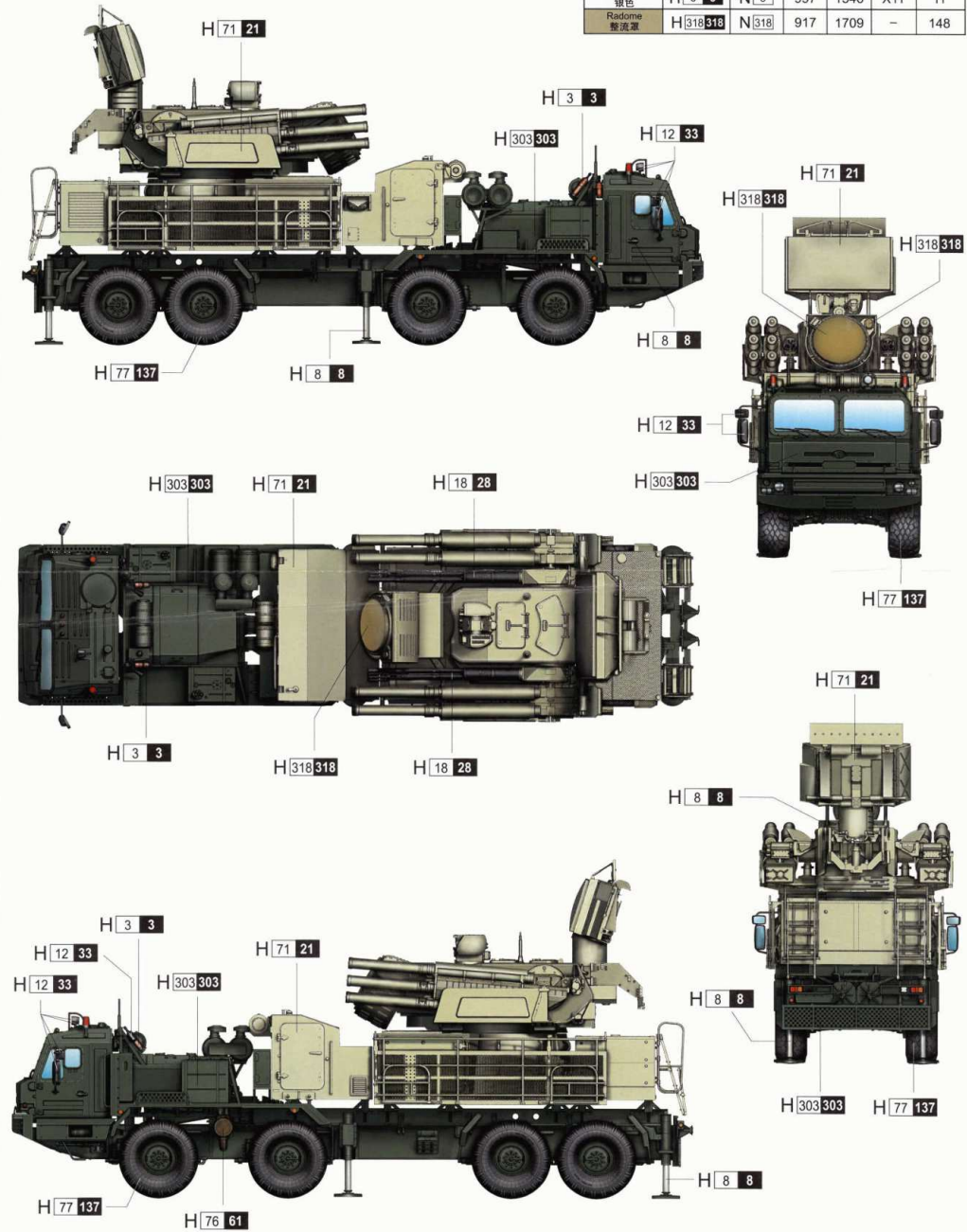
H  AQUEOUS HOBBY COLOR    ■ Mr. COLOR    N  ACRYSION COLOR

# 涂装同标贴指示 Painting & Marking guide

## PAINT REFERENCE COLOR

Color	Mr.Hobby	Acrycion	Vallejo	Model Master	Tamiya	Humbrol
Flat Black 消光黑	H[12] 33	N[12]	950	1749	XF1	33
Tire Black 胎黑色	H[77] 137	N[77]	-	-	XF85	-
Steel 黑铁色	H[18] 28	N[18]	864	1402	XF84	-
Silver 银色	H[8] 8	N[8]	997	1546	X11	11
Radiome 雷达罩	H[318] 318	N[318]	917	1709	-	148

**B**



H [ ] AQUEOUS HOBBY COLOR    N [ ] Mr. COLOR    N [ ] ACRYSION COLOR