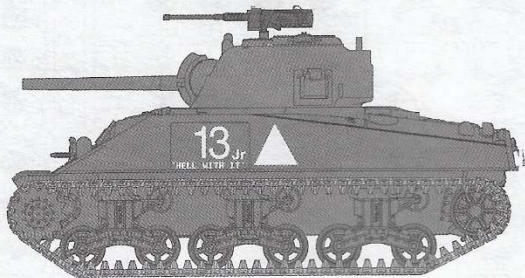


1:72 SCALE

ITEM NO.:07223
M4 TANK Mid-Production
 M4 中型坦克



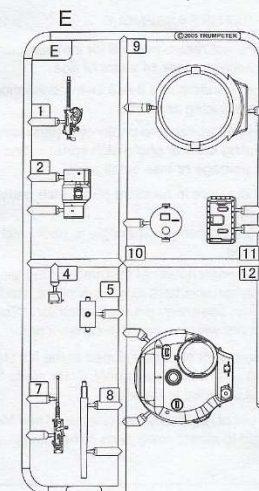
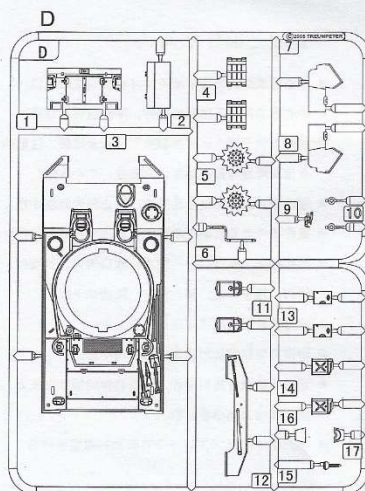
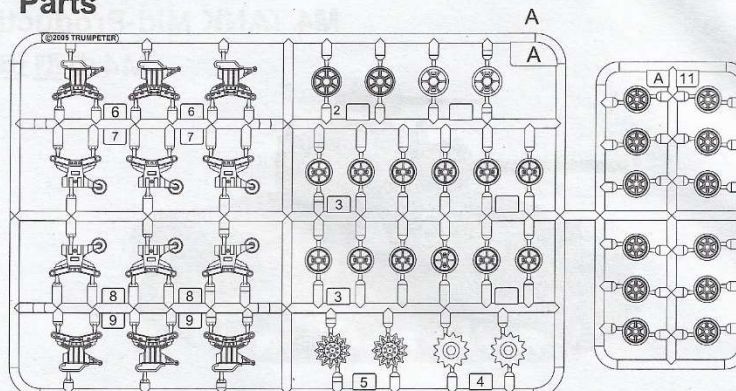
READ BEFORE ASSEMBLY:

- This kit is not recommended for inexperienced modelers or for children under 14 years of age
- Study and understand these instructions thoroughly before beginning assembly
- When needed, remove photo-etch parts carefully using a modeling knife or photo etch sprue cutter, being careful not to damage or lose small parts.
- Take extra care in handling photo etch parts in order to avoid injury
- Apply instant cement sparingly to photo etch parts where instructed
- Tools recommended(not included in kit):Plastic and instant cements,sprue cutters,long nose pliers,.modeling knife, small files, tweezers, pin vise & scissors. Soft cloth and sandpaper will also assist in construction
- Glue and paint are not included in the kit. Use plastic cement and hobby paints only. Color guide for purchasing paint is included in the kit.
- Keep out of reach of small children. They must not be allowed to ingest small parts or handle plastic bags in any way.

装配之前仔细阅读

- 小心用模型锉刀锉平所有零件表面的注射浇口。
- 小心用刀片切下蚀刻片零件，不要遗失小零件。
- 用强力快干胶水粘合蚀刻片零件和金属轴。过量的快干胶水使用可能导致可动零件会粘住，小心涂胶。
- 取蚀刻片时应特别注意安全，防止利边划伤手指。
- 某些零件表面需贴水上贴纸，请选择在装配的同时进行。
- 推荐模型工具(自备): 胶水，水口剪刀，长咀钳，刀片，锉刀，镊子，钳，钻，剪刀，瞬间快干胶。
- 软布同砂纸同时也应该是必备工具。
- 请使用塑料胶水和油漆，模型内不含。
- 谨防小孩吸吮塑料零件，或者将塑料袋套在头上，制作时应将套材远离小孩接触。
- 本产品不适合14岁以下没有经验的模型爱好者

部品图
 Parts



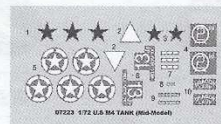
cyanoacrylate glue 使用强力胶	weight 配重	make hole 钻孔	cut / remove 切除	bend 弯曲
file / sand 锉平	option 选择	no cement 不涂胶水	decals 贴纸	

水贴纸的使用:

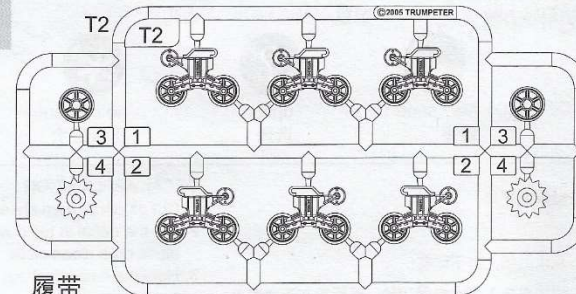
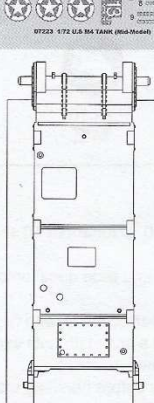
1. 从水贴纸上剪下印花;
2. 将印花放入温水中浸10秒，然后放在干净布上。
3. 拿着印花纸板将印花移到模型上;
4. 手指蘸水将印花移到适当的位置;
5. 用软布轻压印花直至水干，气泡消失。

DECAL APPLICATION

1. Cut off decal from sheet.
2. Dip the decal in tepid water 40 °C for about 10 sec. and place on a clean cloth.
3. Hold the backing sheet edge and slide decal onto the model.
4. Move decal into position by wetting decal with finger.
5. Press decal gently down with a soft cloth until excess water and air bubbles are gone.
6. Allow decal to dry completely before handling model.



贴纸
 Decal



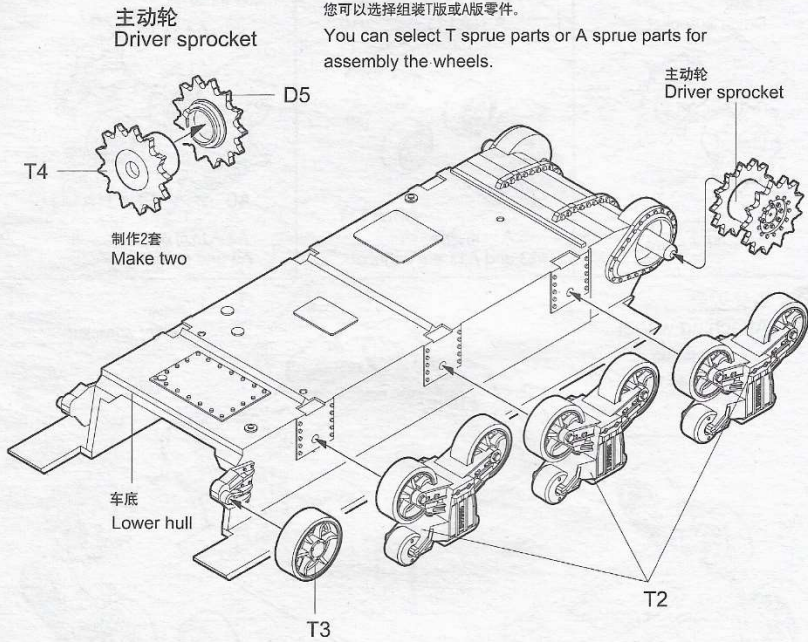
履带
 TrackX2



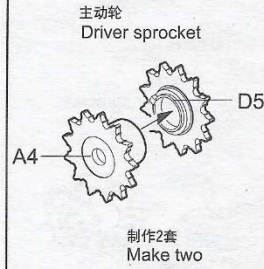
不用部品:

No used parts:A5X2 D4X2 D13X2 D14X2

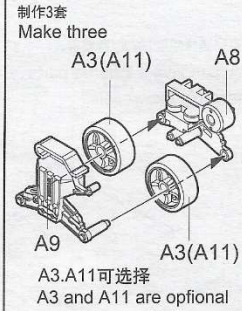
1 车轮安装
Attaching left side wheel



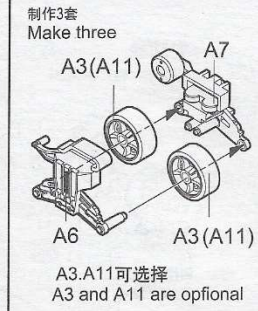
车轮组装
Wheel assembly



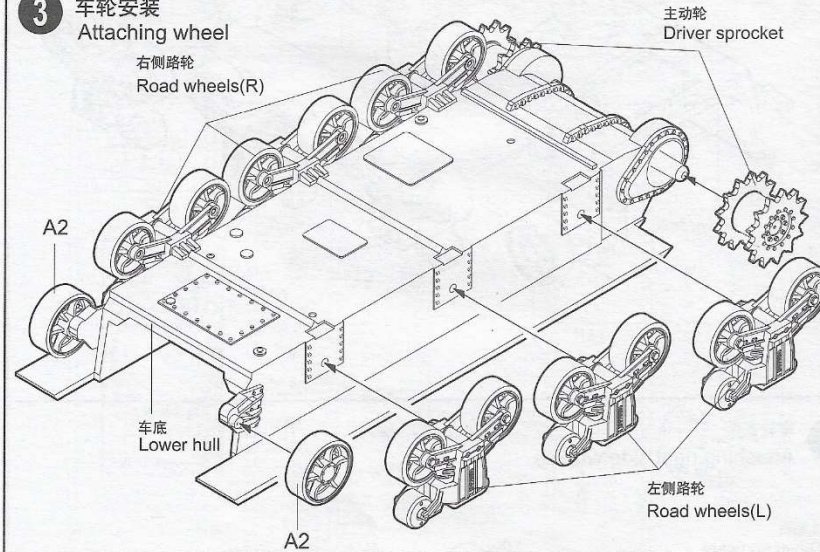
左侧路轮
Road wheels(L)



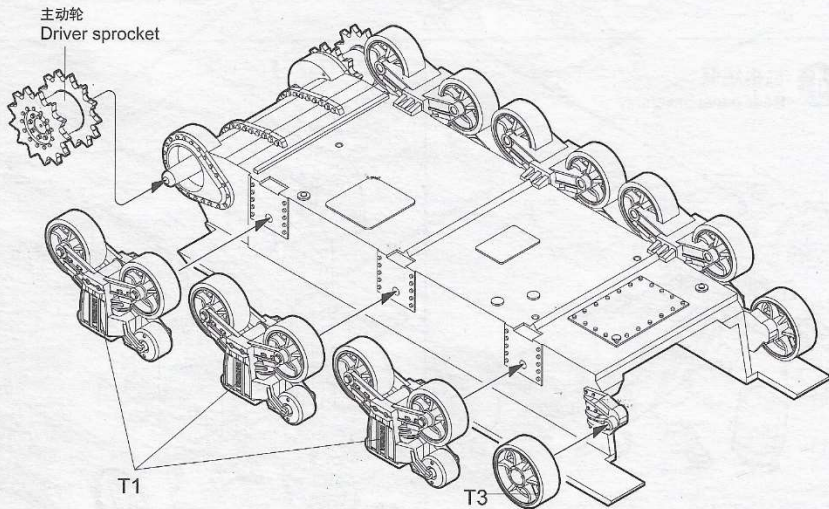
右侧路轮
Road wheels(R)



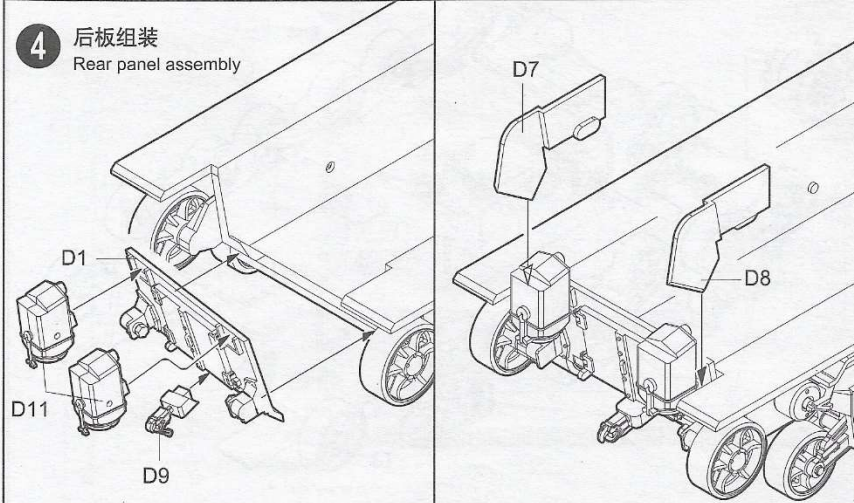
3 车轮安装
Attaching wheel



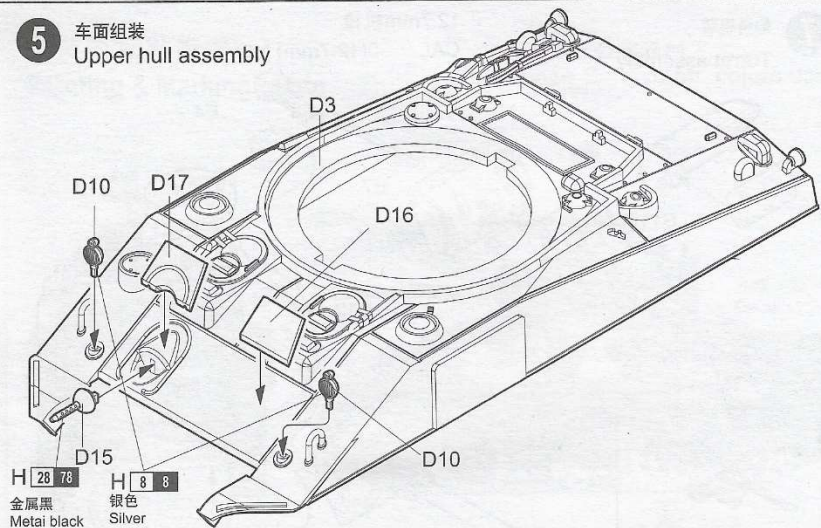
2 车轮安装
Attaching right side wheels



4 后板组装
Rear panel assembly

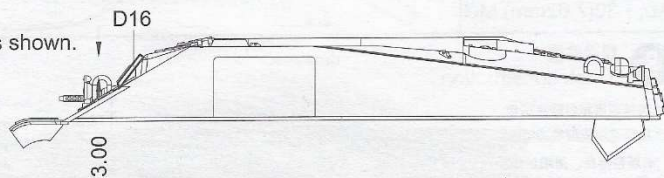


5 车面组装
Upper hull assembly

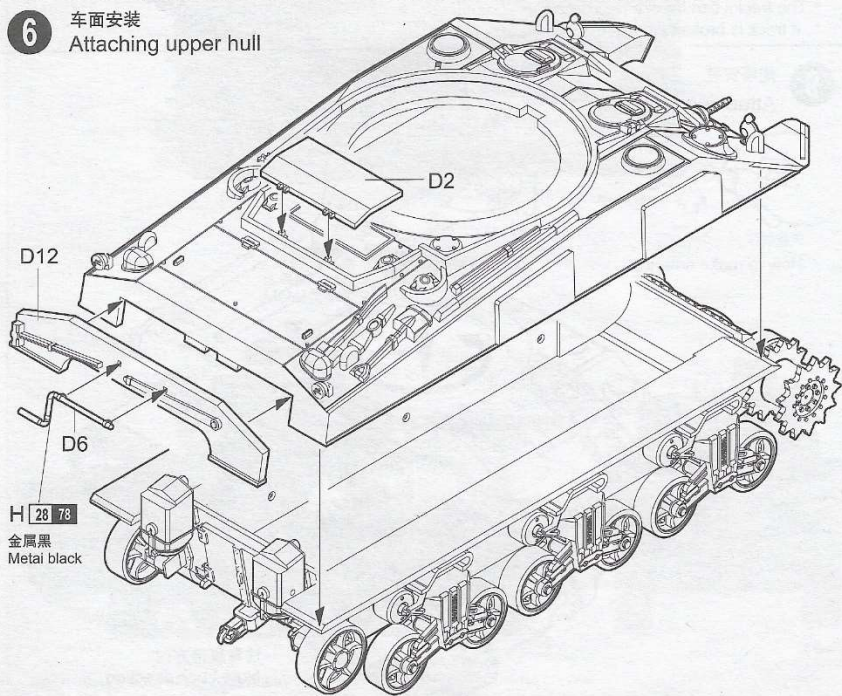


依图所示定位D16。

Attach D16 as shown.

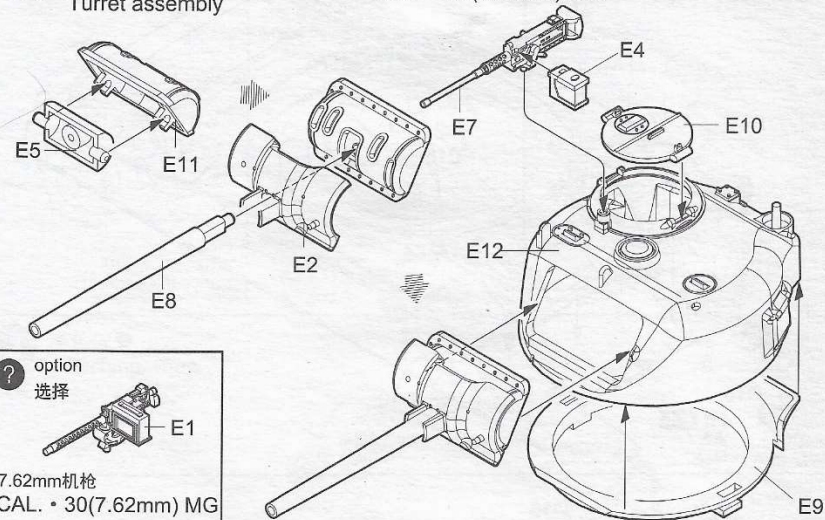


6 车面安装
Attaching upper hull



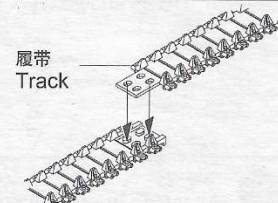
7 炮塔组装
Turret assembly

12.7mm机枪
CAL. • 50(12.7mm) MG

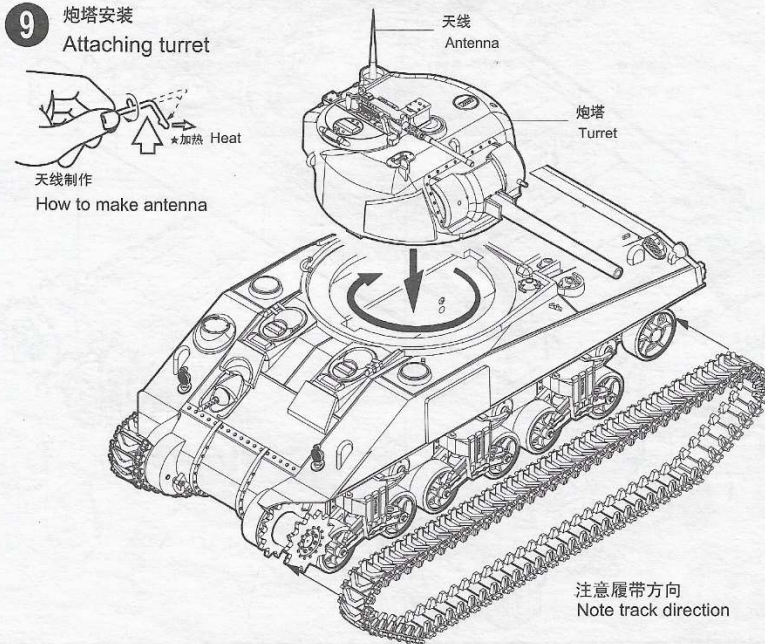


8 履带联接
Track construction

- * 履带可用塑料胶水粘合。
- * 履带可用模型油漆喷涂。
- * 若履带断裂，用细丝线固定。
- * The tracks in this kit can be glued using plastic cement.
- * The tracks can be painted using plastic paints.
- * If track is broken strengthen with staples or thread.



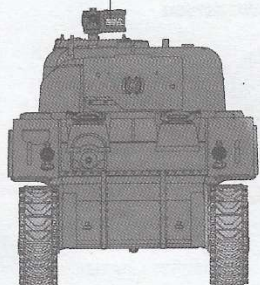
9 炮塔安装
Attaching turret



涂装同标贴指示 Painting & Marking guide

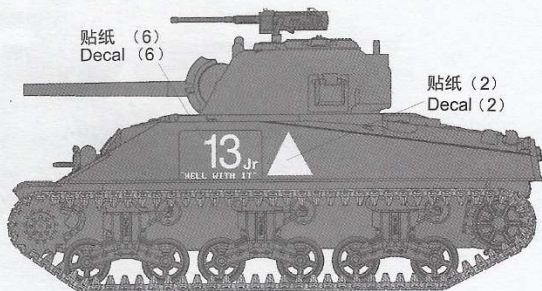
使用郡仕公司涂料
Gunze Sangyo Mr. colors used

贴纸 (8)
Decal (8)



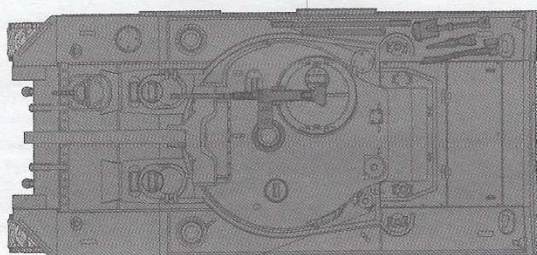
贴纸 (6)
Decal (6)

贴纸 (2)
Decal (2)



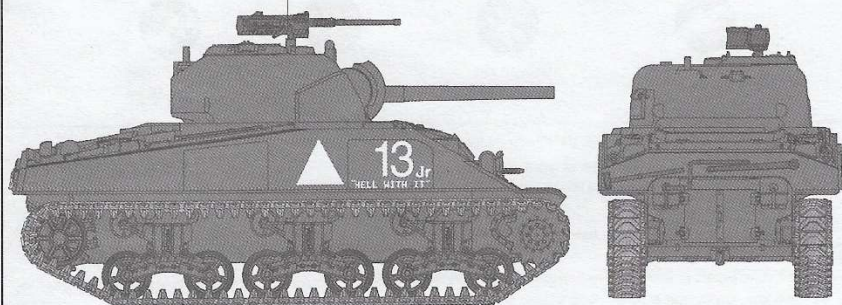
H 78 38

橄欖綠
Olive drab



H 28 78

金屬黑
Metal black



H X GUNZE SANGYO AQUEOUS HOBBY COLOUR X GUNZE SANGYO MR COLOUR