

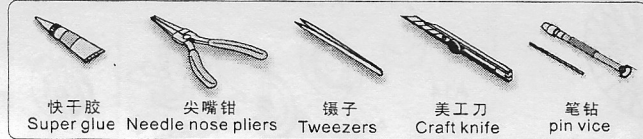
1/35 MILITARY MINIATURE VEHICLE UPGRADE SERIES PE351018

JGSDF XLR250 Military Motorcycle

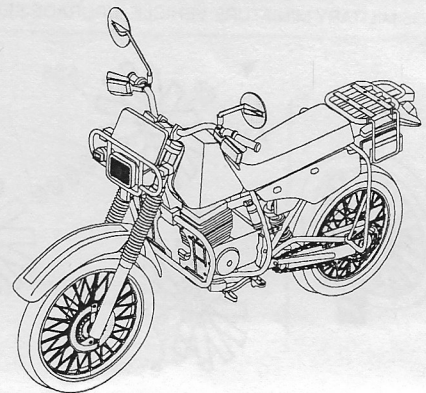
日本 陆上自卫队 本田 XLR250 摩托改造件


[For TAMIYA 35245]

■ 推荐使用工具 RECOMMENDED TOOLS



快干胶 Super glue 尖嘴钳 Needle nose pliers 镊子 Tweezers 美工刀 Craft knife 笔钻 pin vice

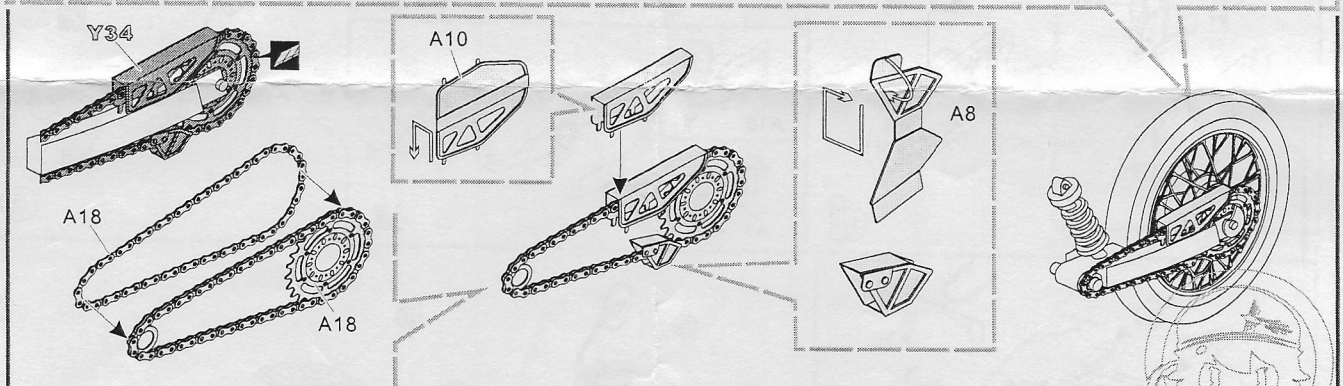
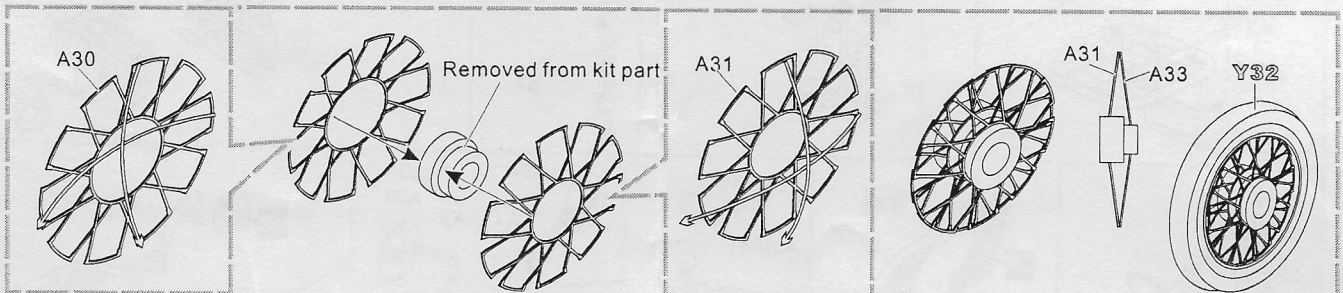


- 
安装
install
 - 
折叠
bend
 - A1**
改造件零件编号
PE/resin part number
 - B12**
原零件编号
kit part number
 - C22**
被替换的原零件编号
replaced kit part number
 - 
 另一侧相同制作
repeat on opposite side
-
- 
切除
remove
 - 
打磨
grind off
 - 
弧度卷曲
radial bending
 - x2**
制作若干组
multiple assembly
 - 
选择安装
alternative
 - 
钻孔
drill
 - 
用胶棒制作
make from plastic rod

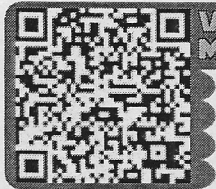

 用尖端在凹槽处冲压
use penpoint to press on the dent

使薄片零件内面朝上
Put the part upside down

用笔尖在凹槽处制
Use penpoint to press on the dent

<http://www.voyagermodel.com/productdetails.asp?itemid=PE351018>



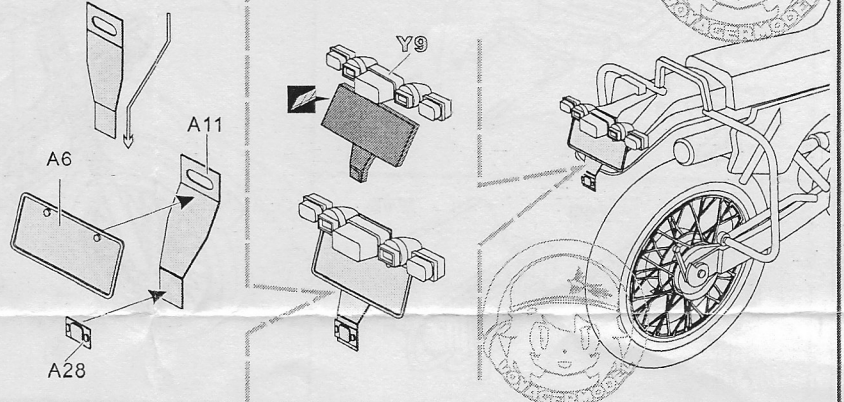
VOYAGER MODEL



更多PE351018样品照片参考请扫一扫
MORE PICTUER OF PE 351018
REFERENCE SCAN HERE

Recommended item

PE 35033	Modern U.S. M1M-104F Patriot SAM System PAC-3 Basic
PE 35093	WWII German Pz.Kpfw.IV Ausf.G (Late Production) Basic
PE 35114	WWII German DKW NZ350 MOTORCYCLE
PE 35519	WWI French Peugeot 1917 750cc cyl Motorcycle
PE 35256	WWII German Bicycle



1/35 MILITARY MINIATURE VEHICLE UPGRADE SERIES PE351018

