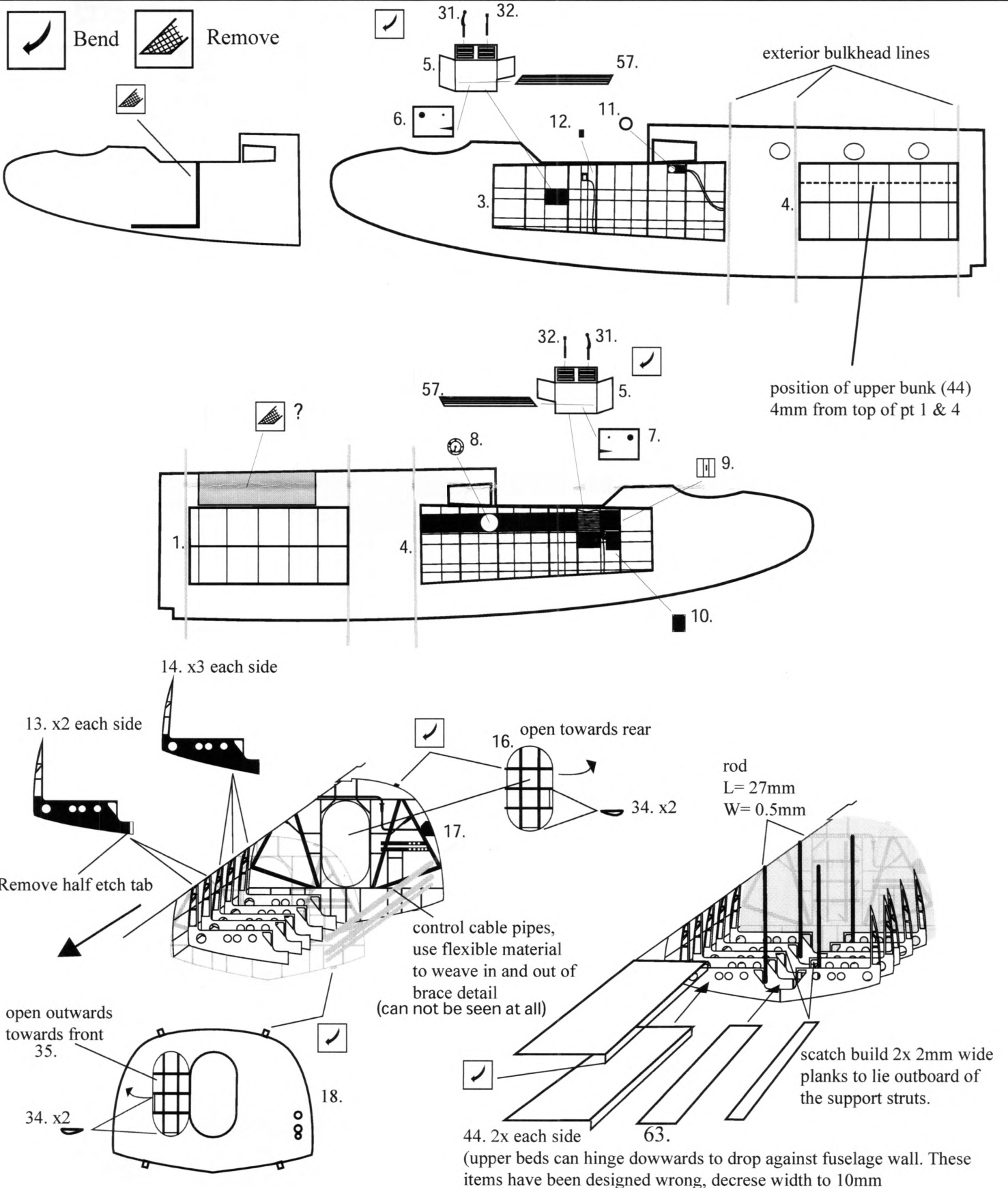
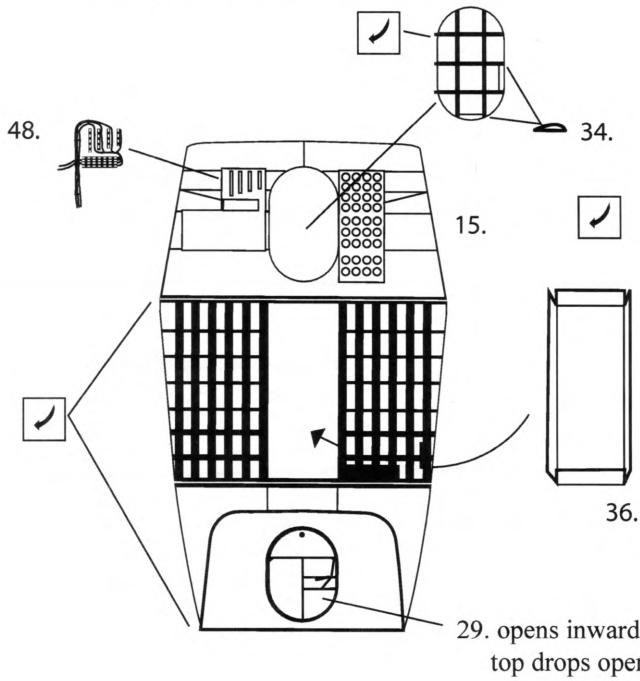


Dornier Do 24 Interior set

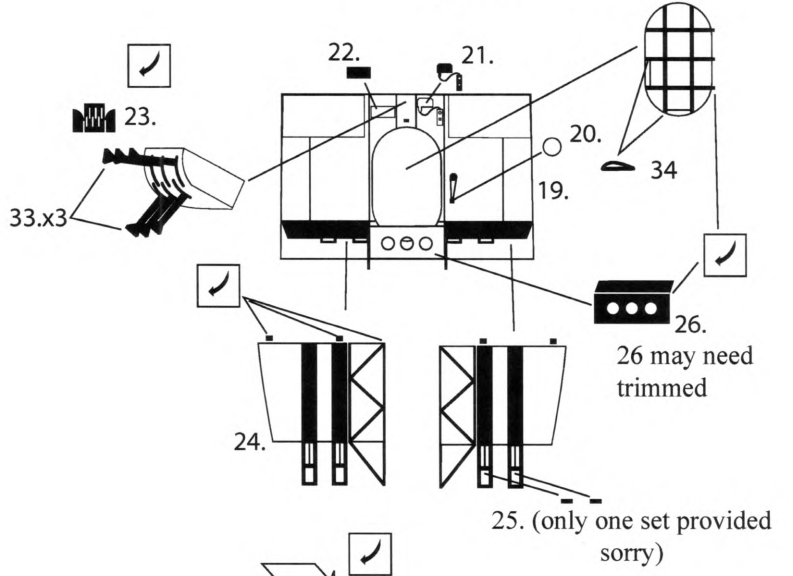
Whether you are using both exterior and interior sets or just this one I recommend that you delete the port holes on the left side (except the most forward one which needs repositioned a little higher up and further forward - likewise all the port holes on the right side need repositioned higher up). The cargo doors on the right side need deleted and those on the left side need to start 3mm higher up and hinge 5mm from the centre line. Please also consider removing the lip detail to the dorsal gun ring that has been added to the re-released version of this model - the detail is non existent.



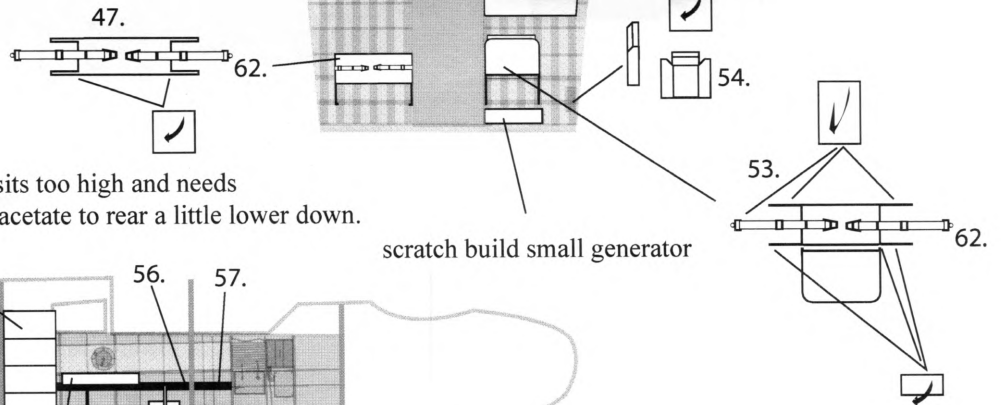
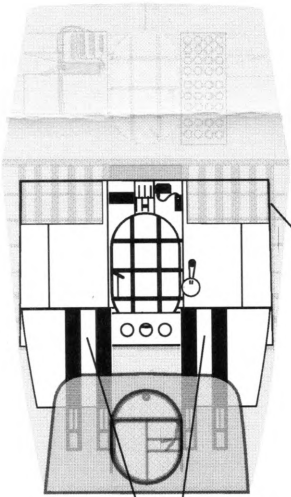
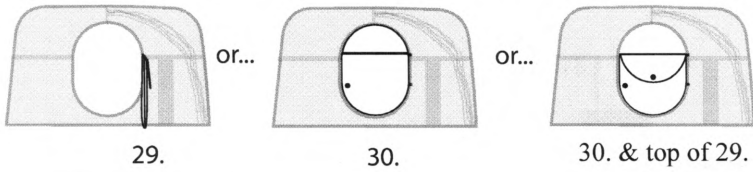
28. opens inwards towards front



27. opens outwards towards rear

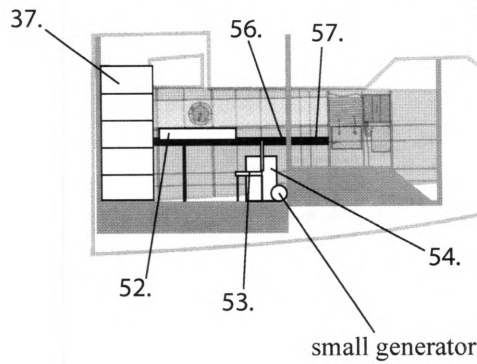


29. opens inwards towards rear, top drops open into cabin

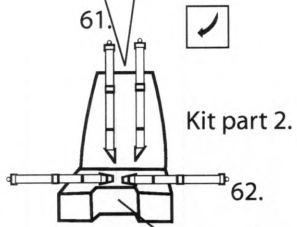


window frame sits too high and needs removed. Glue acetate to rear a little lower down.

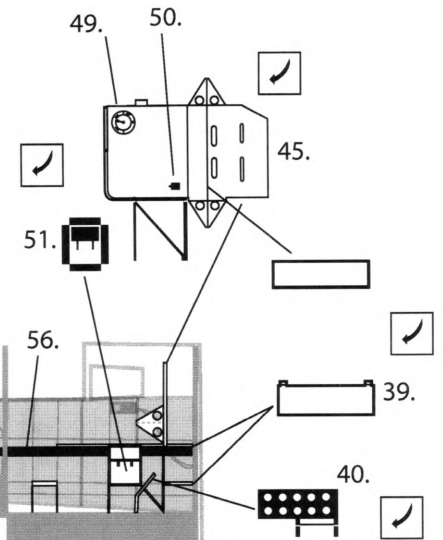
scratch build small generator



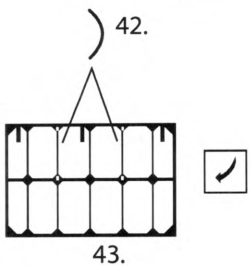
small generator

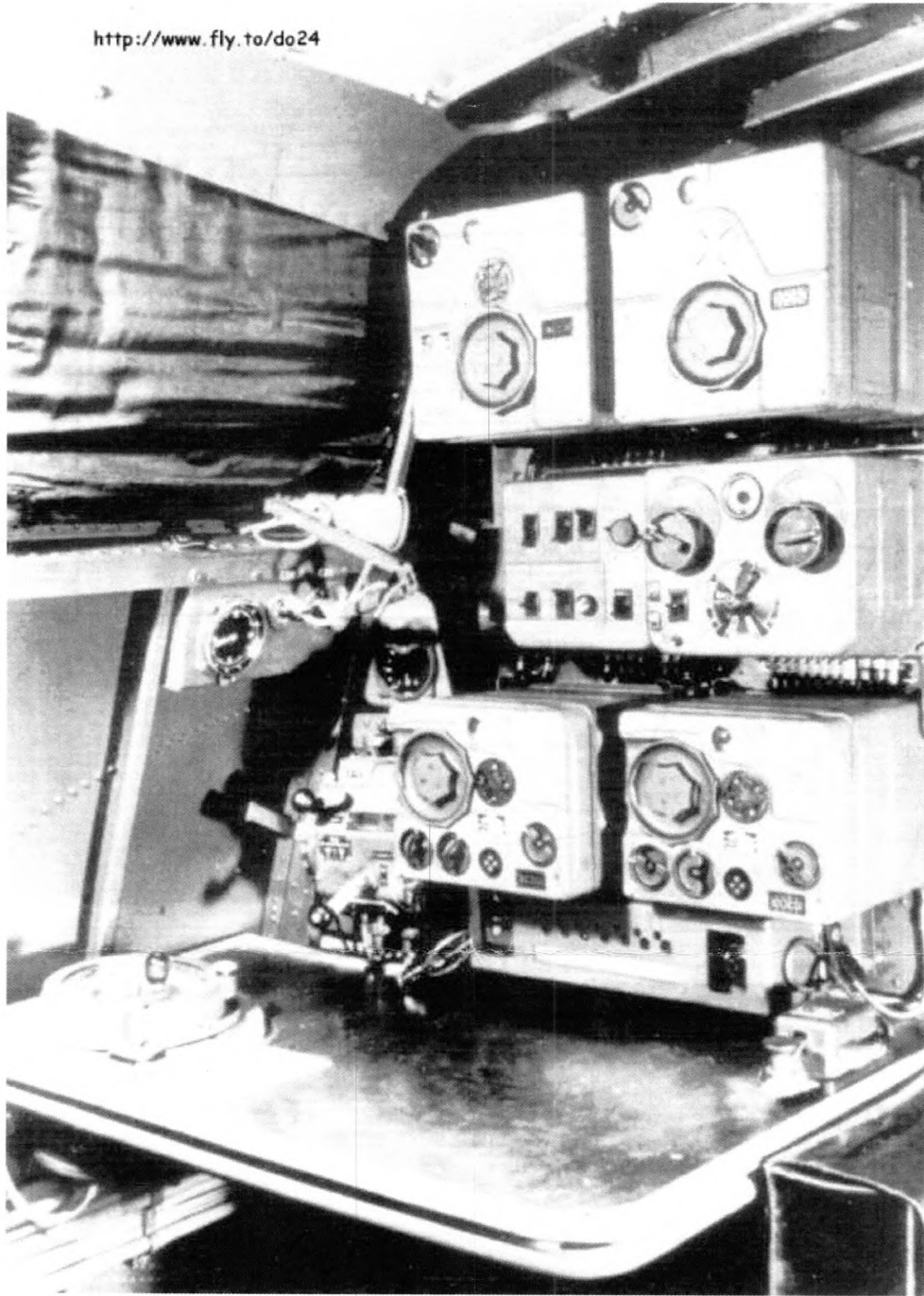


Kit part 2.



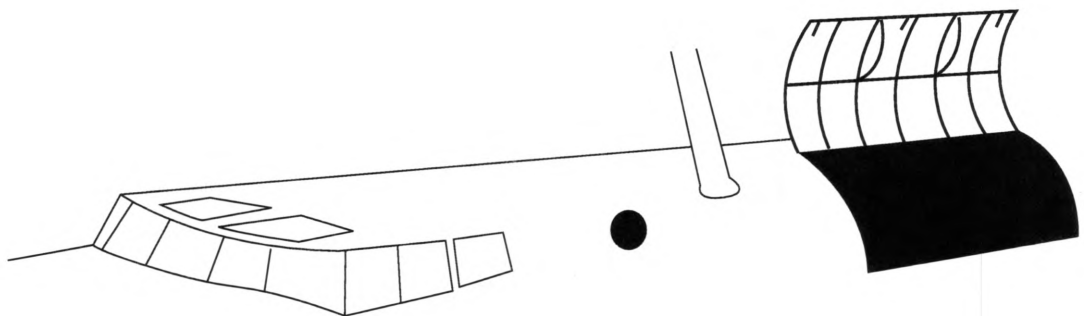
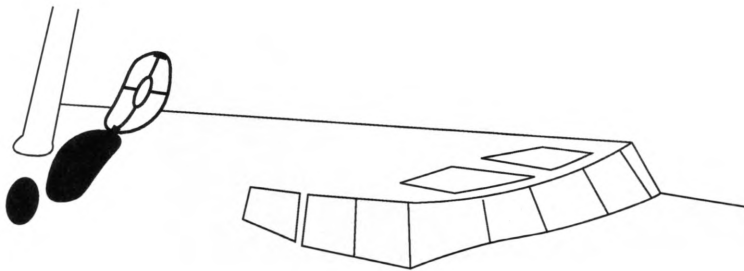
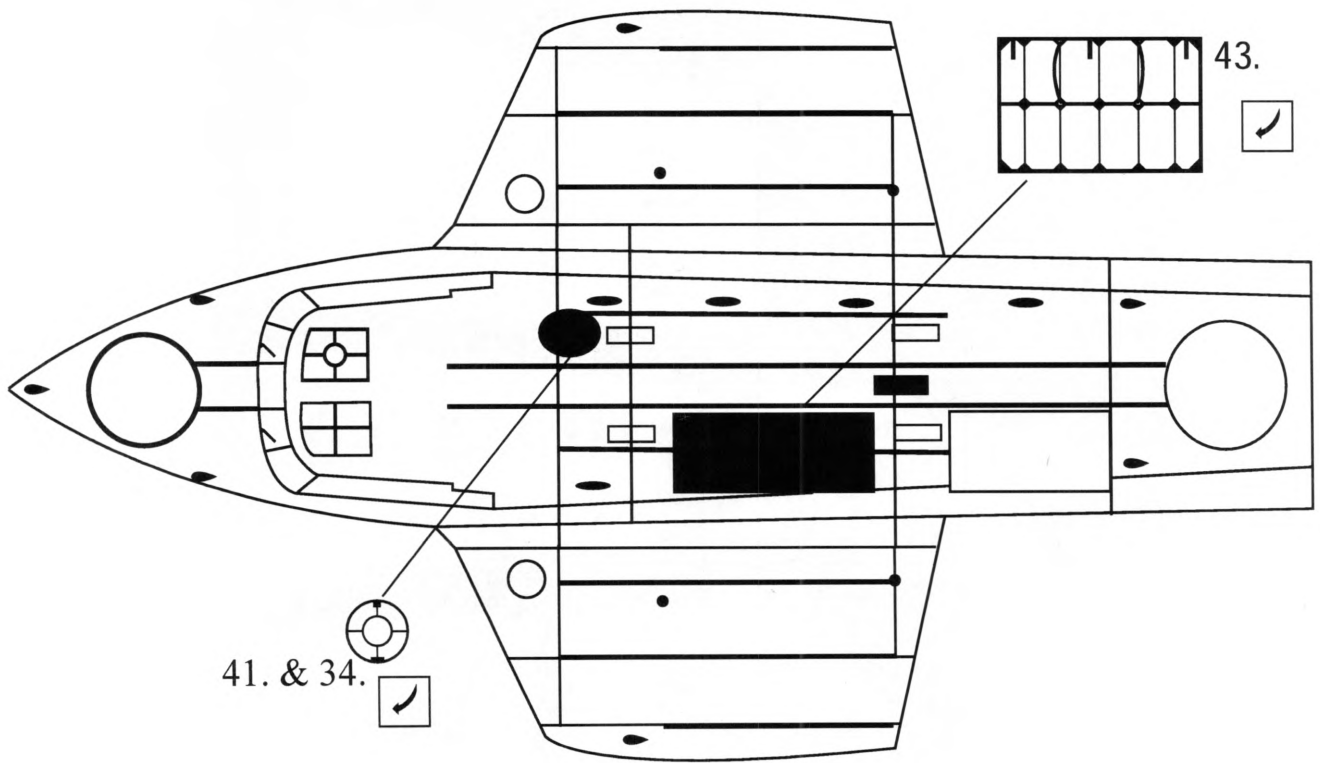
(as for dorsal & tail as well)





Use Aires set 7047 German WW II aircraft radio set to kit out pt 45.

3	4
23	5
7	8



Dornier Do 24 Exterior set

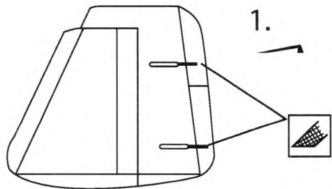
Whether you are using both exterior and interior sets or just this one I recommend that you delete the port holes on the left side (except the most forward one which needs repositioned a little higher up and further forward - likewise all the port holes on the right side need repositioned higher up). The cargo doors on the right side need deleted and those on the left side need to start 3mm higher up and hinge 5mm from the centre line. Please also consider removing the lip detail to the dorsal gun ring that has been added to the re-released version of this model - the detail is non-existent.



Bend

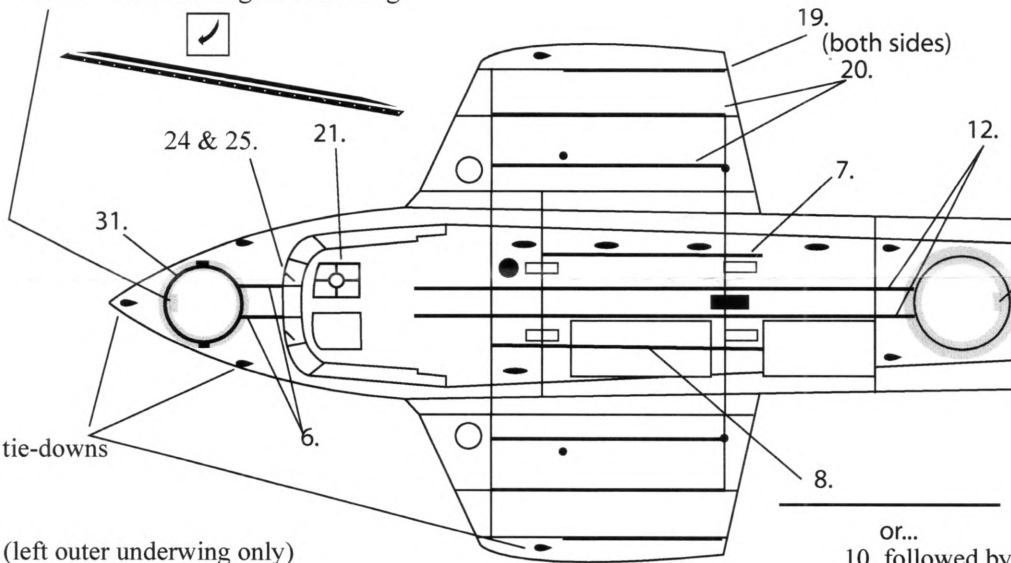


Remove



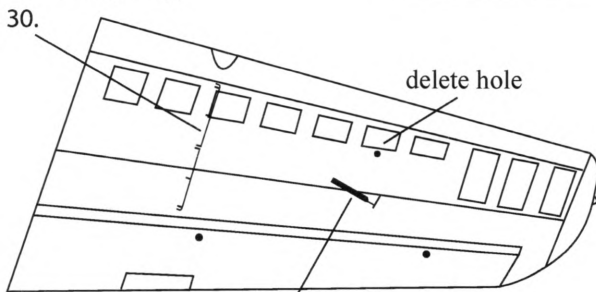
Replace all actuators on model, also add to underside of elevator trim tabs (pt 30)

usually seen facing to side to avoid water entering in on landing

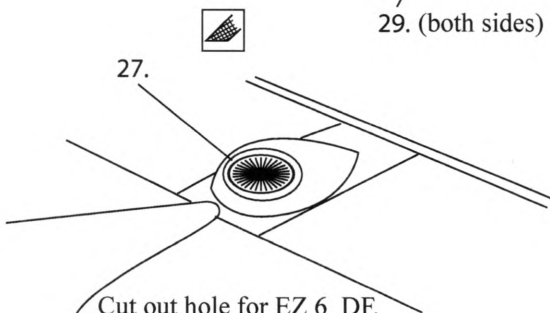


tie-downs

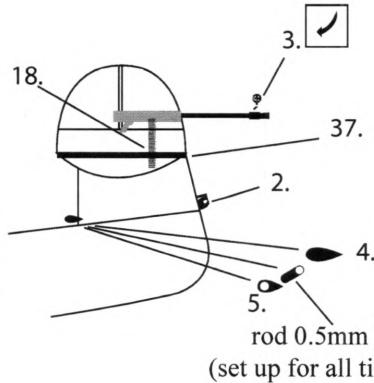
(left outer underwing only)



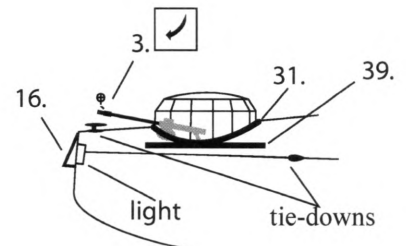
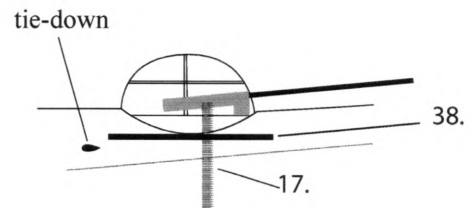
29. (both sides)



Cut out hole for EZ 6 DF, cover over with clear plastic then locate 27. from beneath before joining wing halves together



rod 0.5mm long (set up for all tie-downs)



should have been off-set



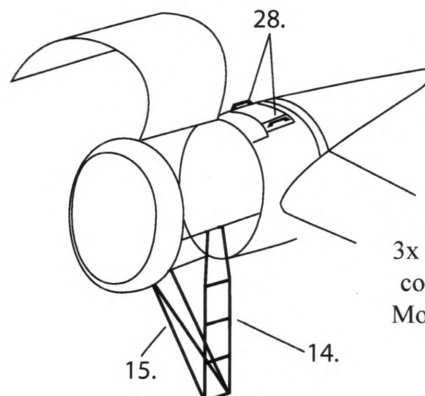
parts 37-39 can be used if using Falcon/Squadron signal vacuform turrets

Or...

10. followed by 9.

if using interior set with open cargo door, followed by 11.

(these parts are a pain to try and fold - best to forget them and use plastic strip)

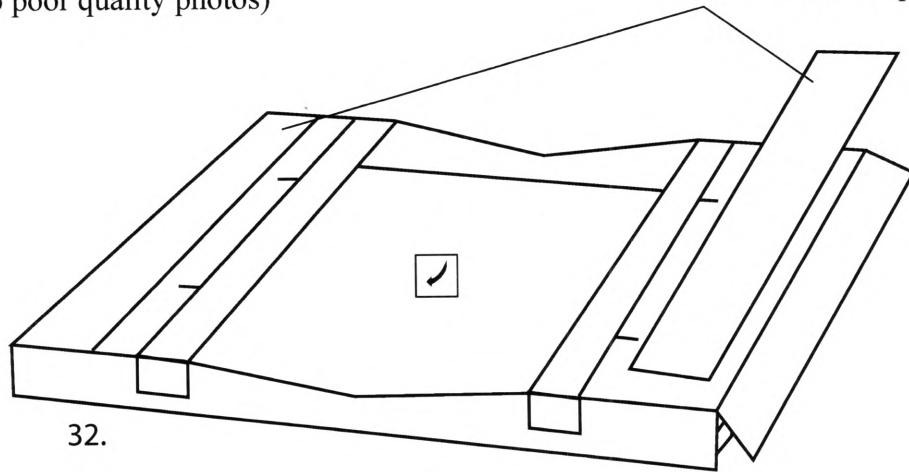


3x ladders can be used in conjunction with Goofie Model's Do 24 engine set 7226

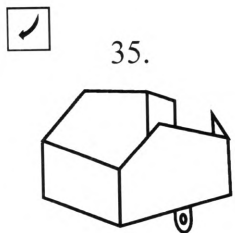
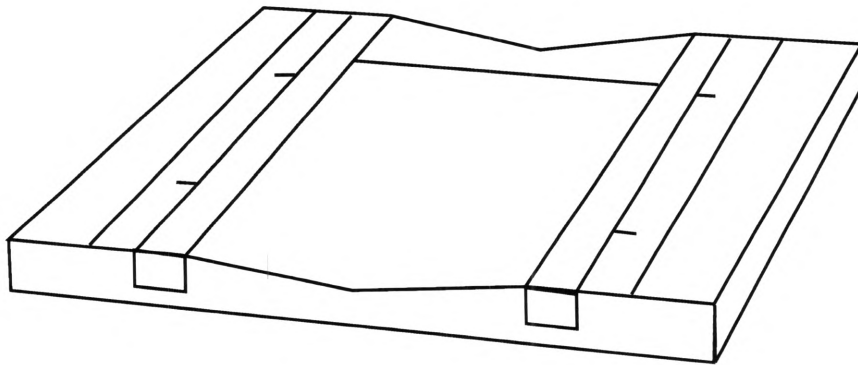
Beaching Trolley

(based on two poor quality photos)

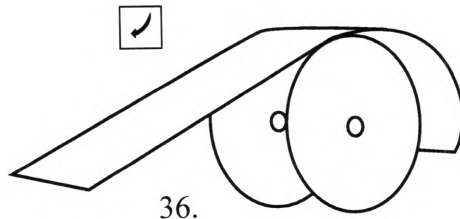
33. Cleats face upwards



32.

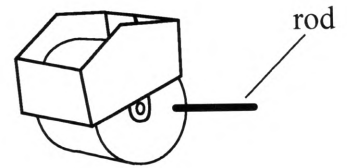


35.



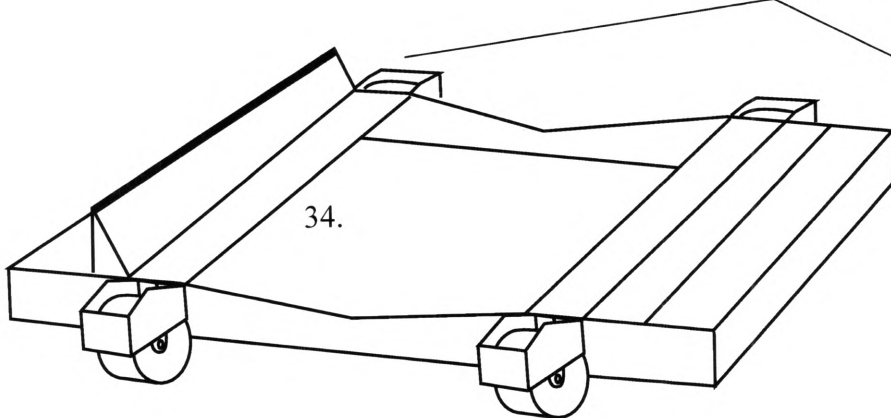
36.

or cut off sides and glue to piece of styrene rod

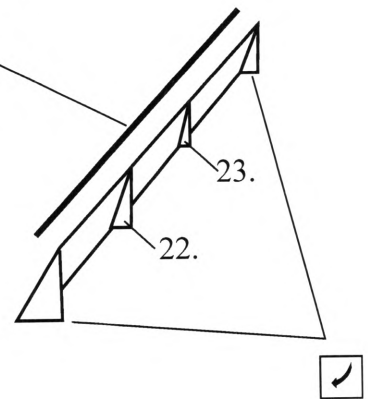


rod

add thick plastic strip



34.



23.

22.