



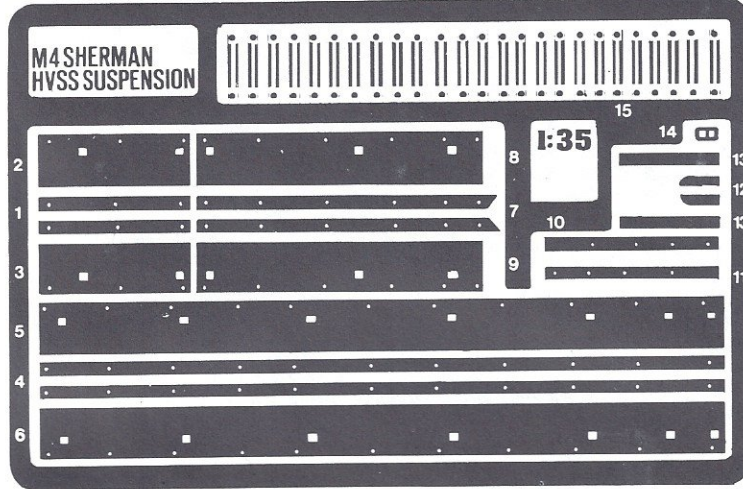
VERLINDEN PRODUCTIONS
 Ondernemersstraat, 4
 B-2500 Lier/BELGIUM
 AGE 14 AND UP/ ET PLUS

SHERMAN HVSS Suspension

**1:35
 845**

CE **MADE IN BELGIUM**

PHOTO-ETCHED PARTS



CAUTION

These photo-etched parts and resin accessories can only be glued with cyanoacrylate (Super Glue). Thoroughly clean the parts before gluing.

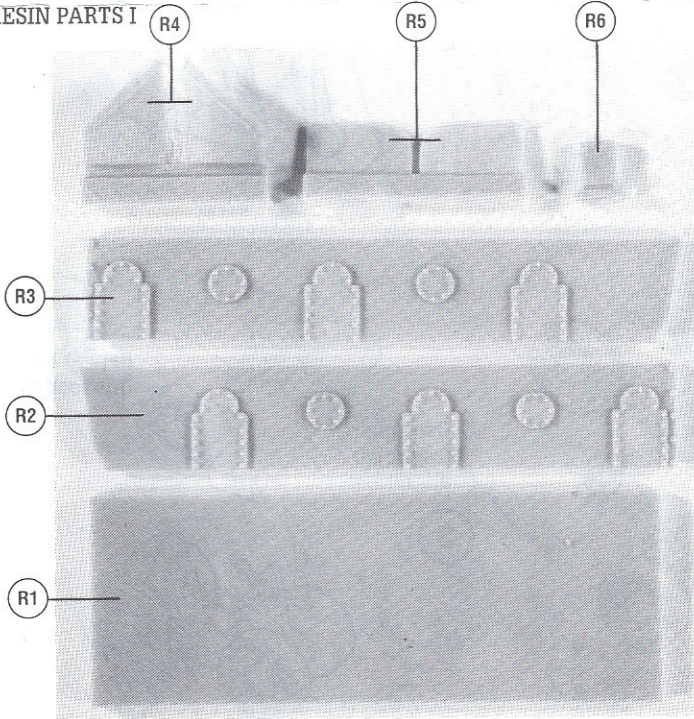
READ BEFORE ASSEMBLY

This instruction sheet indicates the use of the VP Update Set parts. It does not replace the instruction sheet of the plastic kit which needs to be purchased in combination with this Update Set. This sheet merely indicates the proper sequence of gluing the VP parts. When kit parts need to be cut or changed it is indicated accordingly. Every individual should determine at which stage of the assembly the VP parts are needed. It is advised to study both instruction sheets before you start assembly.

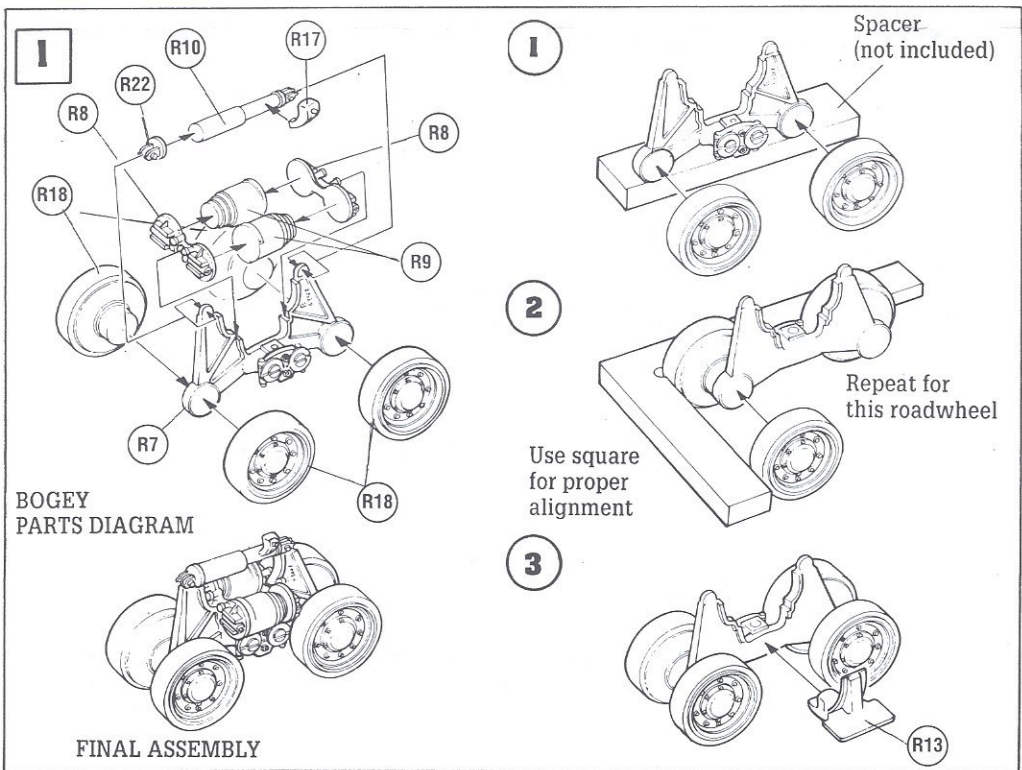
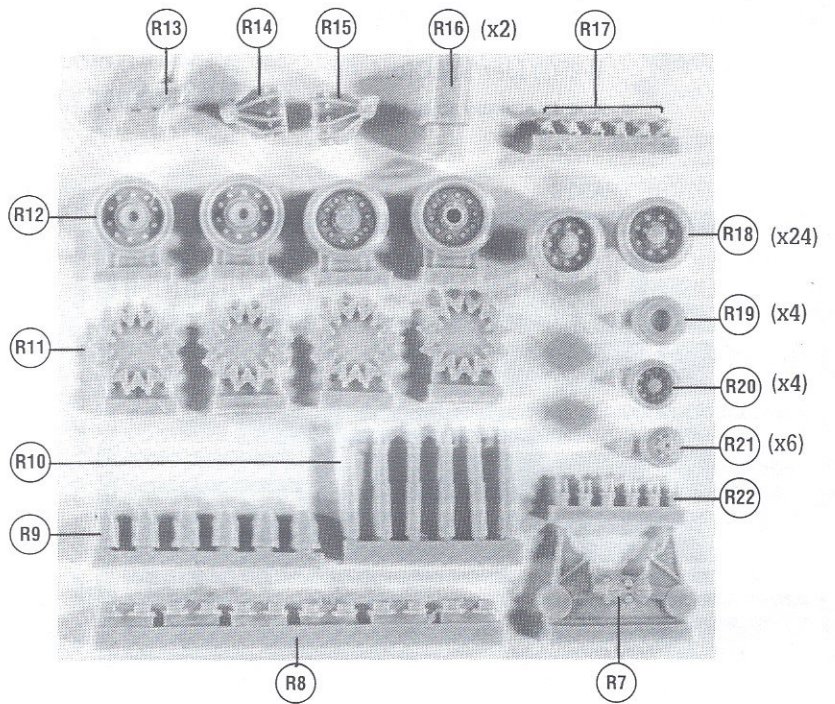
PAINTING INSTRUCTIONS

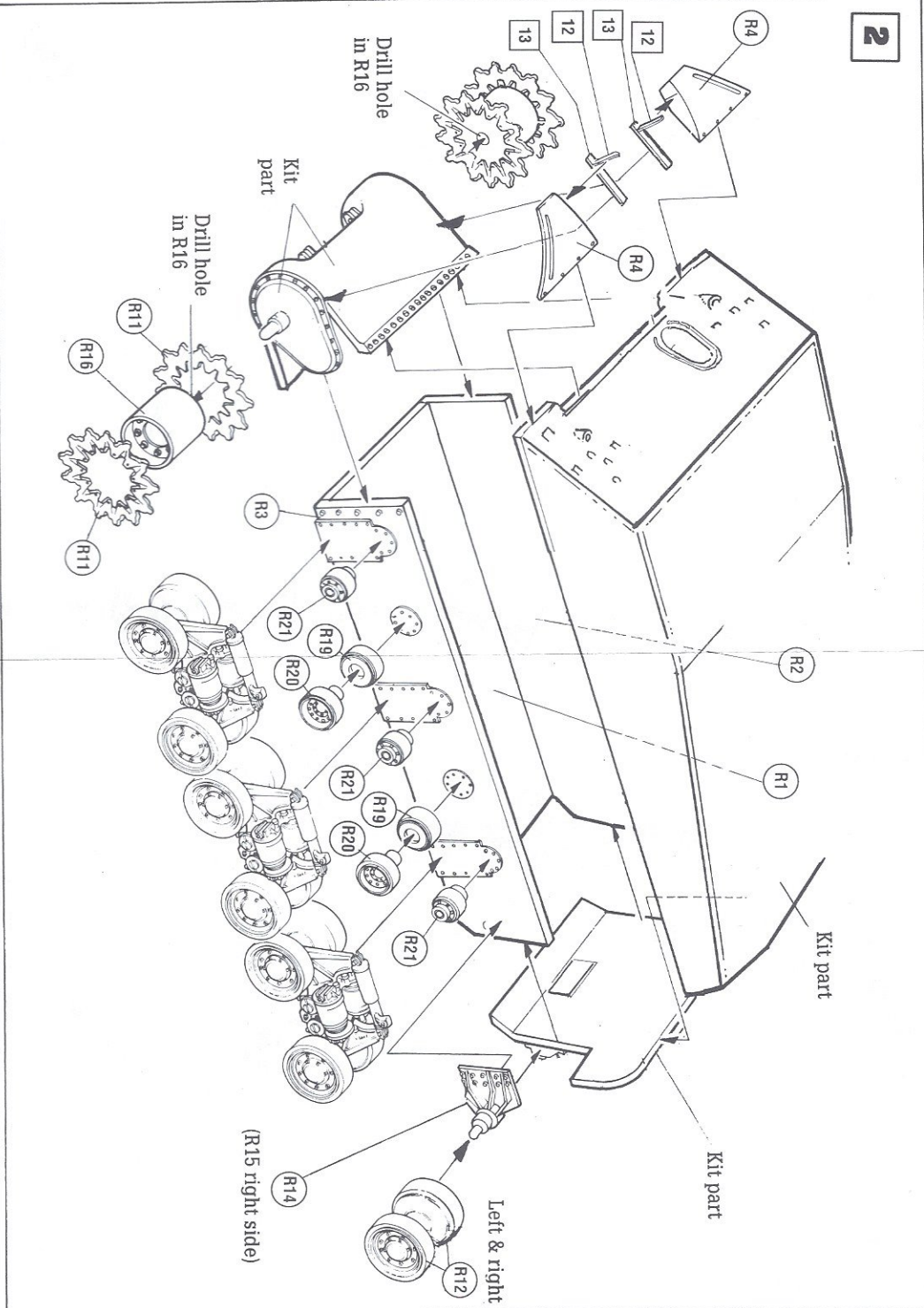
Since the parts of this VP set are designed to only UPDATE your plastic kit, the painting directions of the plastic kit should be followed. When areas need to be painted which are not shown on the original kit instruction sheet, color indications are provided.

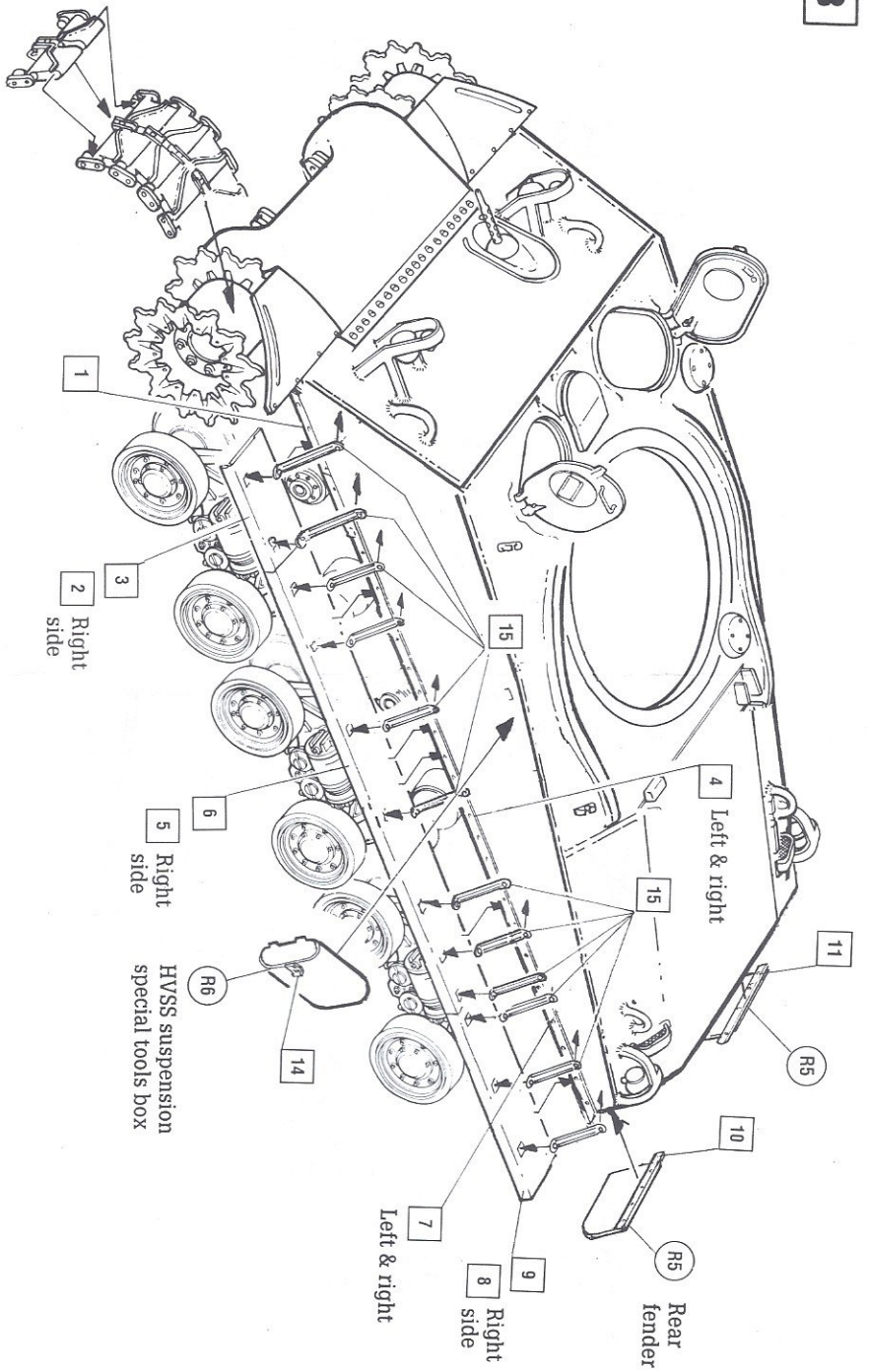
RESIN PARTS I



Remove carriers with VP
 Razor Saw (Set 778)
 Available in the VP
 model accessory range







Glue track shoes as shown
(78 per side)
Glue tracks along a ruler
for proper alignment