

M706 Commando Armored Car in Vietnam

美国M706“突击队”装甲车(越战型)



READ BEFORE ASSEMBLY:

- Study and understand these instructions thoroughly before beginning assembly
- When needed, remove photo-etch parts carefully using a modeling knife or photo etch sprue cutter, being careful not to damage or lose small parts.
- Take extra care in handling photo etch parts in order to avoid injury
- Apply instant cement sparingly to photo etch parts where instructed
- Tools recommended(not included in kit):Plastic and instant cements,sprue cutters,long nose pliers,modeling knife, small files, tweezers, pin vise & scissors. Soft cloth and sandpaper will also assist in construction
- Glue and paint are not included in the kit. Use plastic cement and hobby paints only. Color guide for purchasing paint is included in the kit.

装配之前仔细阅读

- 小心用模型锉刀锉平所有零件表面的注射浇口。
- 小心用刀片切下蚀刻片零件，不要遗失小零件。
- 用强力快干胶水粘合蚀刻片零件和金属轴。过量的快干胶水使用可能导致可动零件会粘住，小心涂胶。
- 取蚀刻片时应特别注意安全，防止利边划伤手指。
- 某些零件表面需贴水上贴纸，请选择在装配的同时进行。
- 推荐模型工具(自备)：胶水，水口剪刀，长咀钳，刀片，锉刀，镊子，钳，钻，剪刀，瞬间快干胶。
- 软布同砂纸同时也应该是必备工具。
- 请使用塑料胶水和油漆，模型内不含。



使用强力胶

Cyanoacrylate glue



配重

Weight



钻孔

Make hole



切除

Cut / Remove



贴纸

Decal



锉平

File / Sand



选择

Option



不涂胶水

No cement



弯曲

Bend



先装

Install it first

水贴纸的使用:

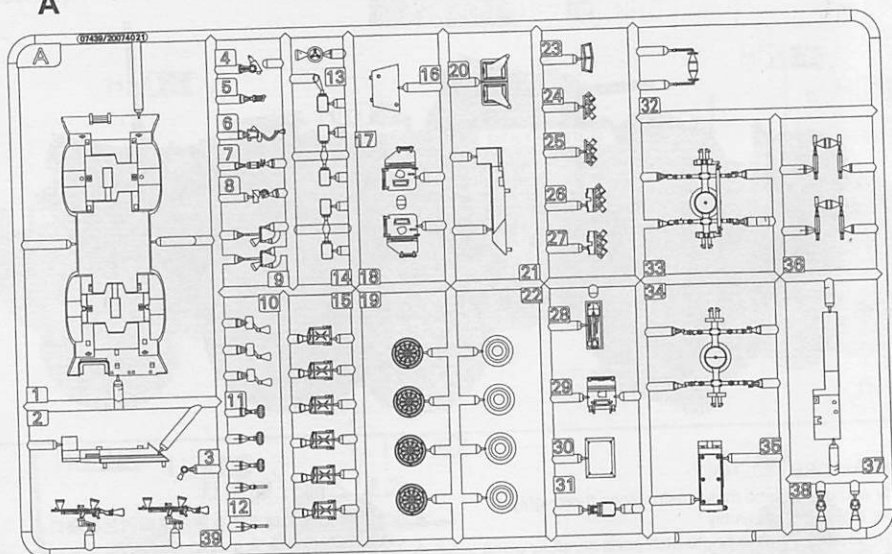
1. 从水贴纸上剪下印花;
2. 将印花放入温水中浸10秒, 然后放在干净布上。
3. 拿着印花纸板将印花移到模型上;
4. 手指蘸水将印花移到适当的位置;
5. 用软布轻压印花直至水干, 气泡消失。

DECAL APPLICATION

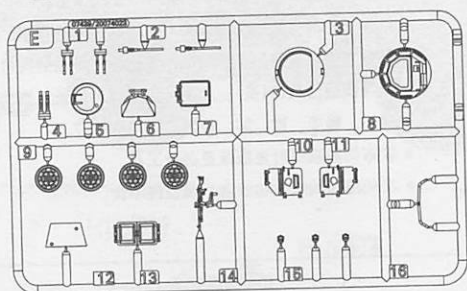
1. Cut off decal from sheet.
2. Dip the decal in tepid water 40°C for about 10 sec. and place on a clean cloth.
3. Hold the backing sheet edge and slide decal onto the model.
4. Move decal into position by wetting decal with finger.
5. Press decal gently down with a soft cloth until excess water and air bubbles are gone.
6. Allow decal to dry completely before handling model.

部品图 Parts

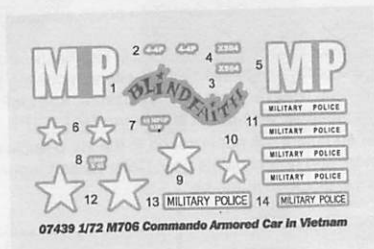
A



E

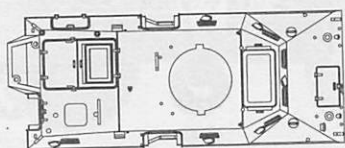


《水貼》
Decal



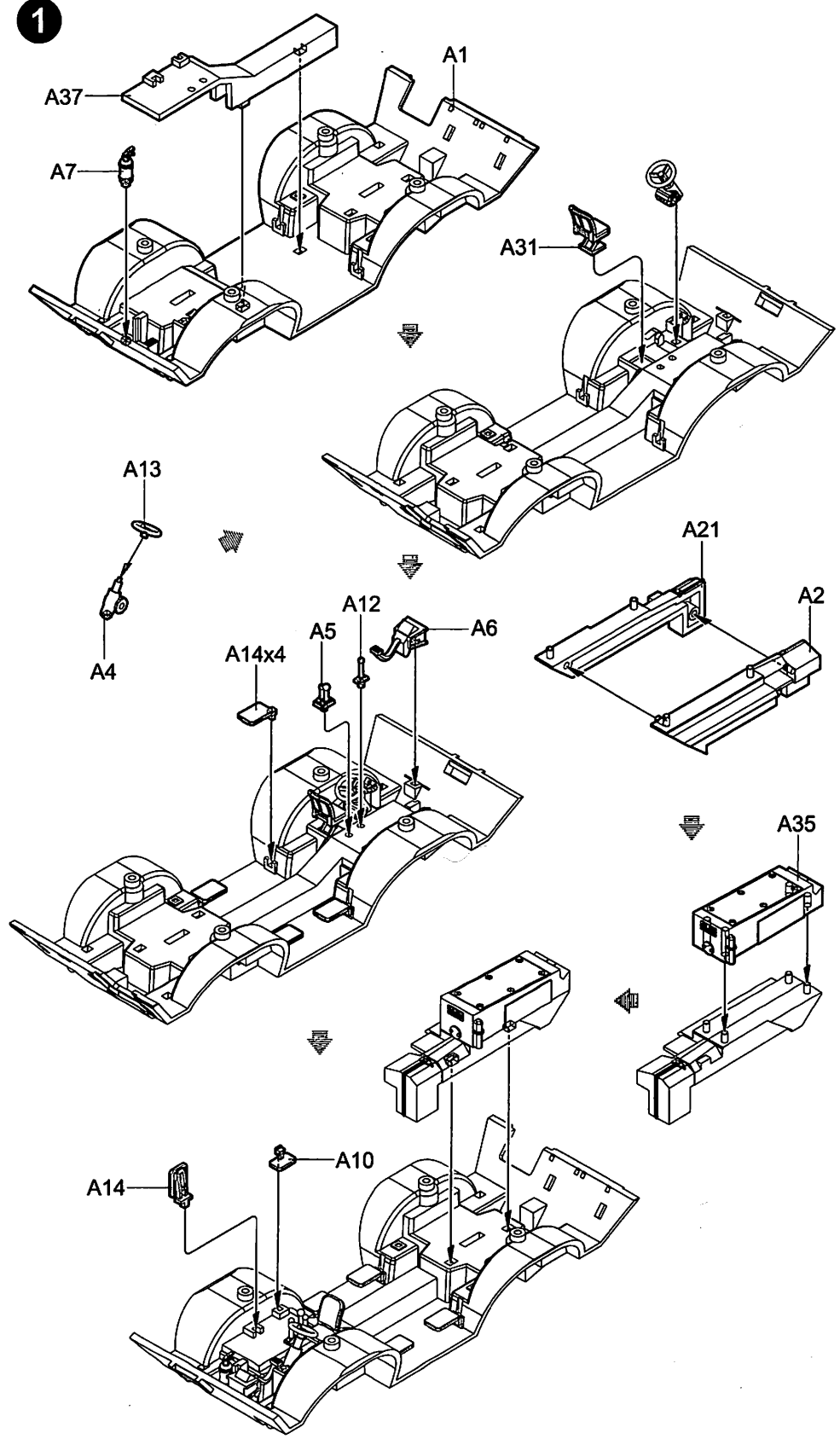
《车面》
Upper hull

TR-G*4

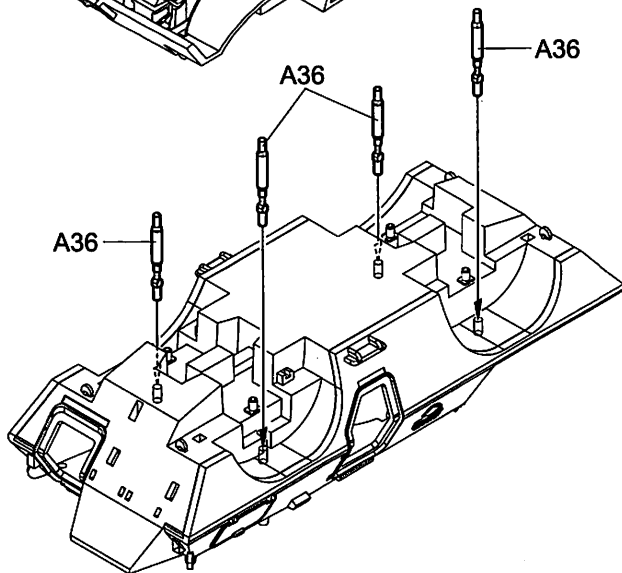
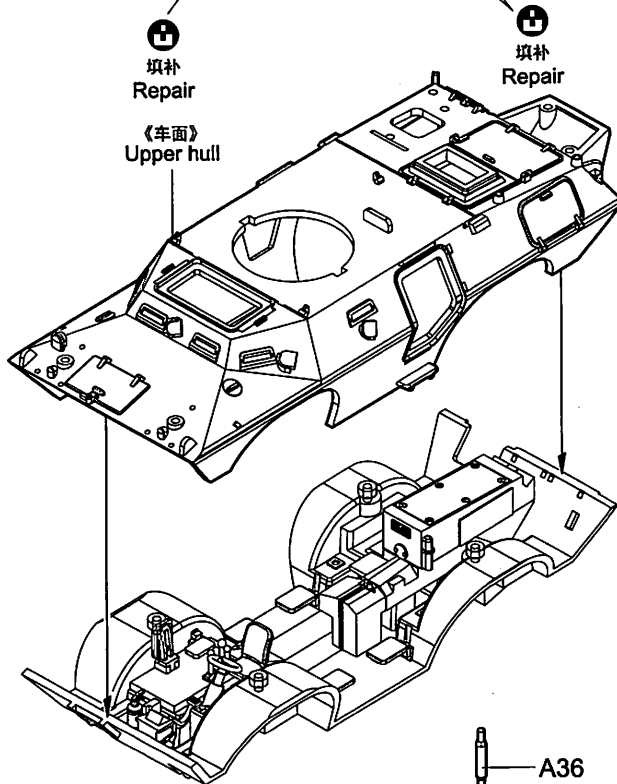
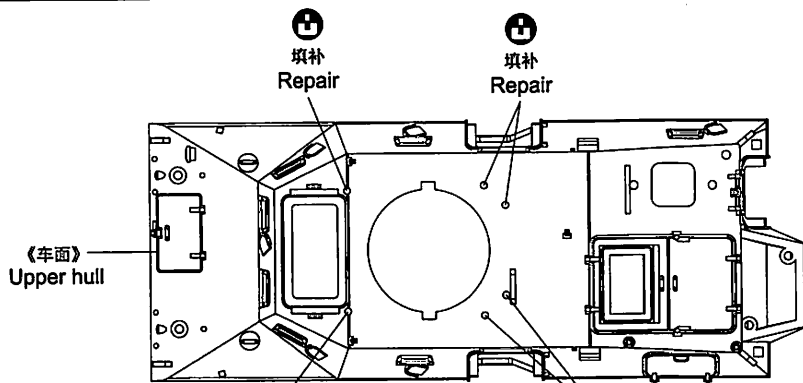


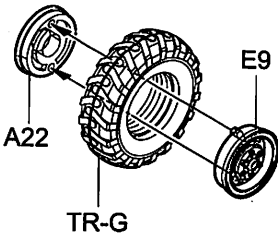
未使用零部件: A3, A16, A17, A18, A19, A20,
Unused parts A23, A24, A25, A26, A27, A38,
A39, E1, E5, E14, E16;

1

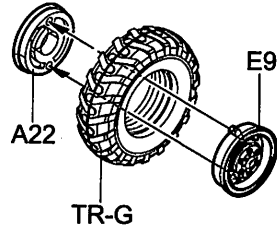


2



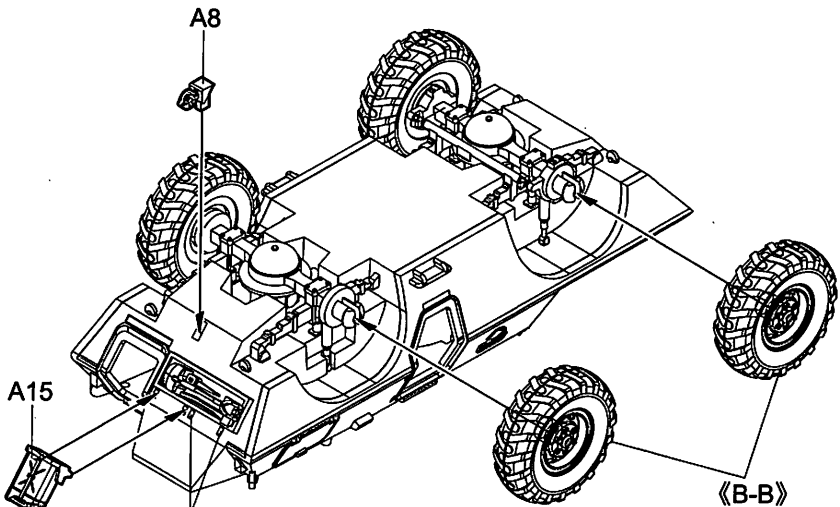
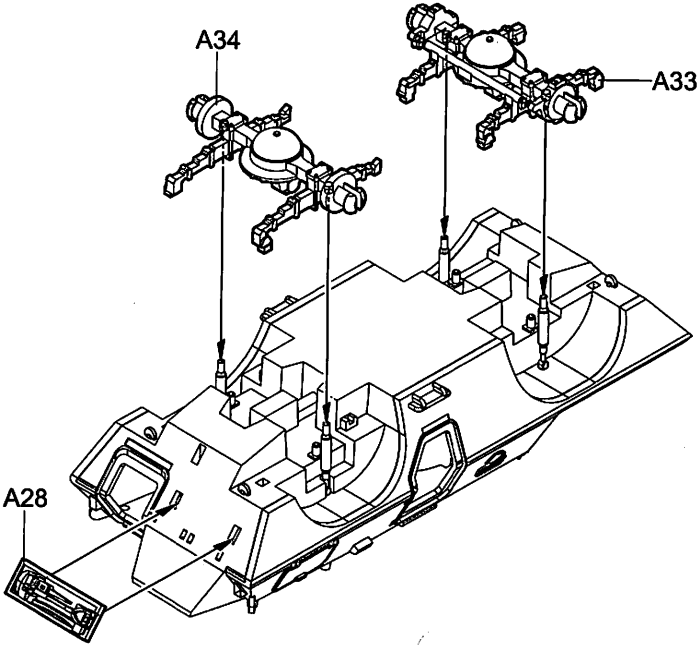


《A-A》
制作2组
Make two



《B-B》
制作2组
Make two

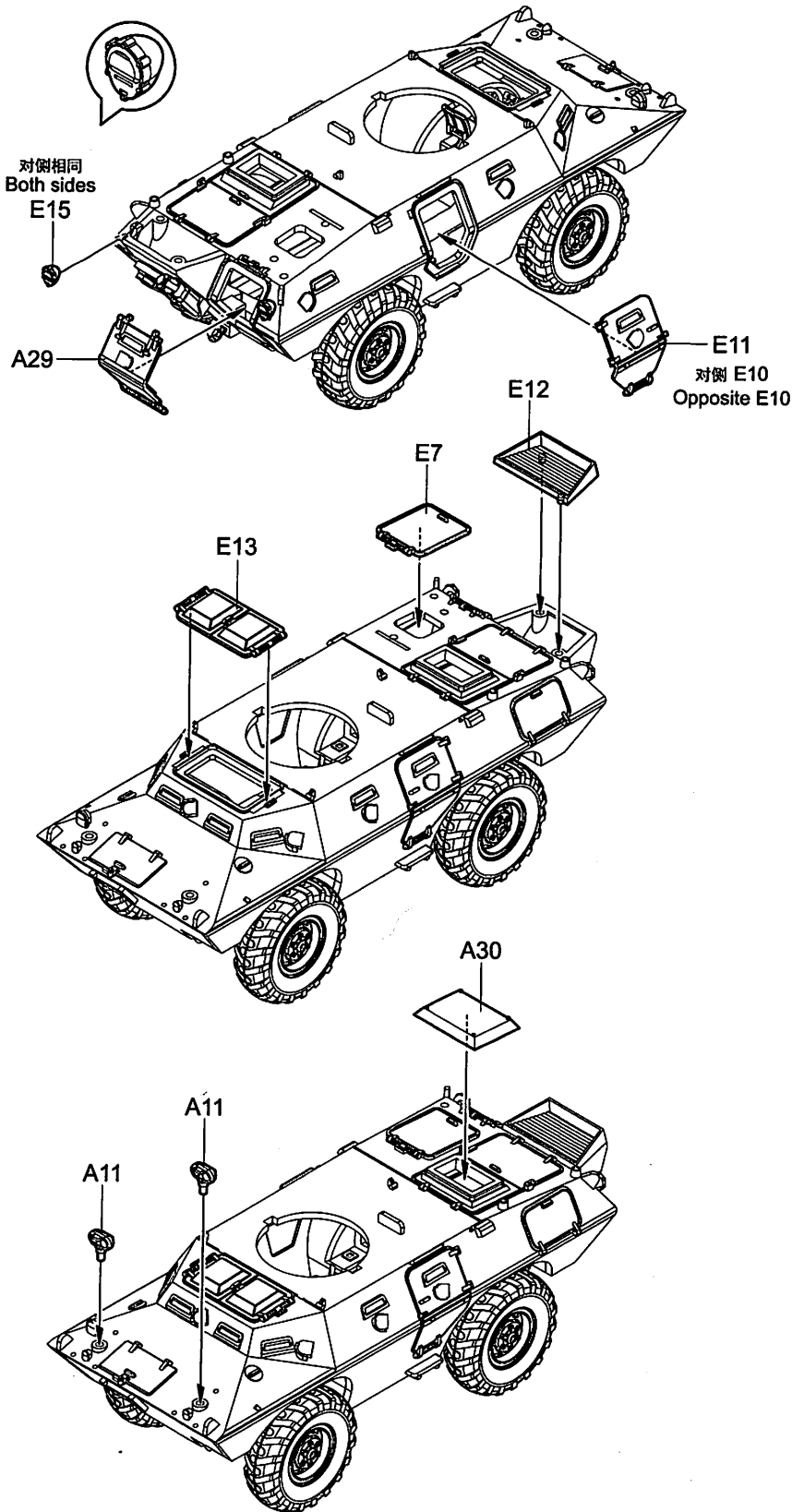
3



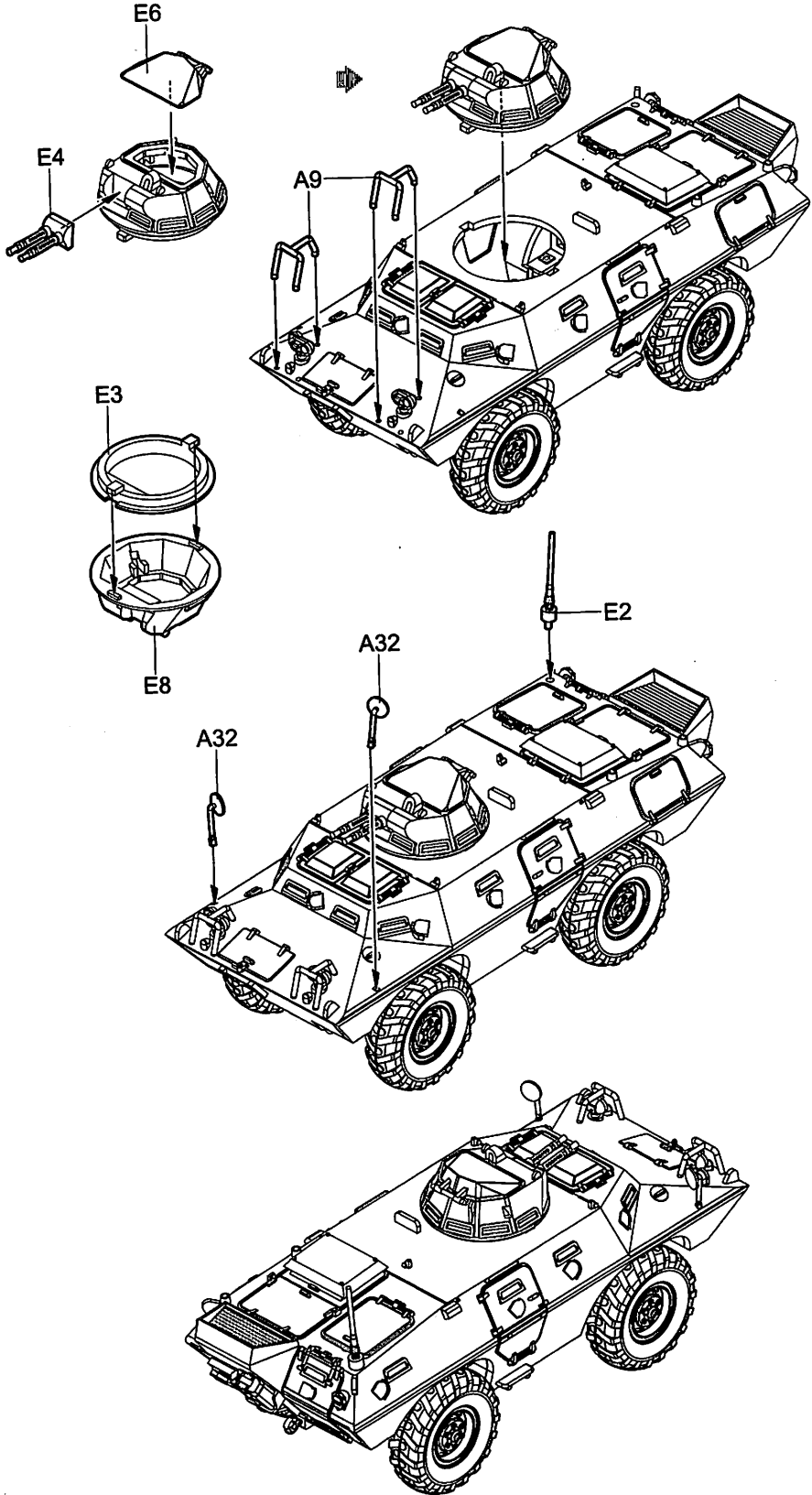
⊕
填补
Repair

《B-B》
对侧《A-A》
Opposite 《A-A》

4



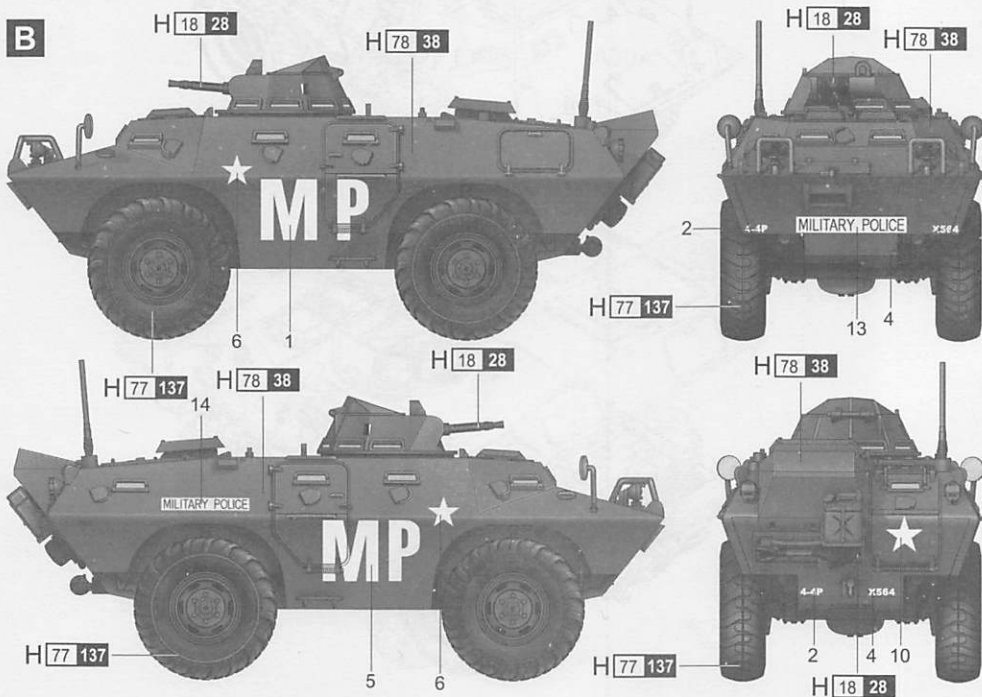
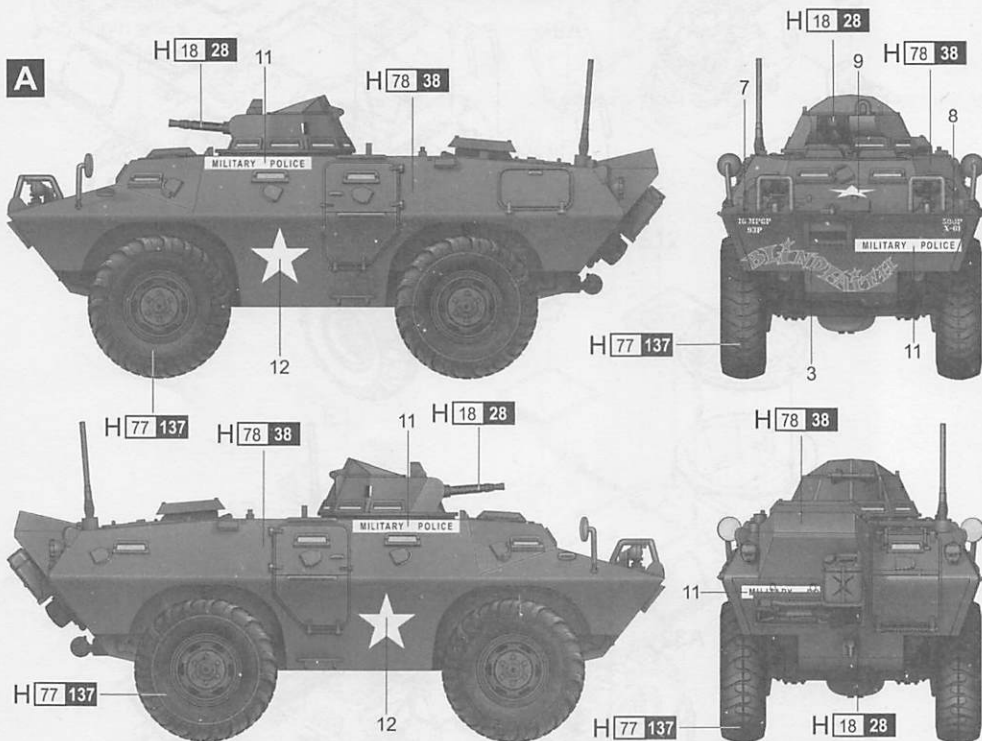
5



涂装同标贴指示 Painting & Marking guide

PAINT REFERENCE COLOR

| Color | Mr.Hobby | Acrycion | Vallejo | Model Master | Tamiya | Humbrol |
|------------------------|----------|----------|---------|--------------|--------|---------|
| Steel 黑铁色 | H 18 28 | N 18 | 864 | 1402 | XF84 | — |
| Olive Drab(2) 橄榄(2) | H 78 38 | N 78 | — | — | — | — |
| Tire Black 胎黑色 | H 77 137 | N 77 | — | — | XF85 | — |



H AQUEOUS HOBBY COLOR Mr. COLOR