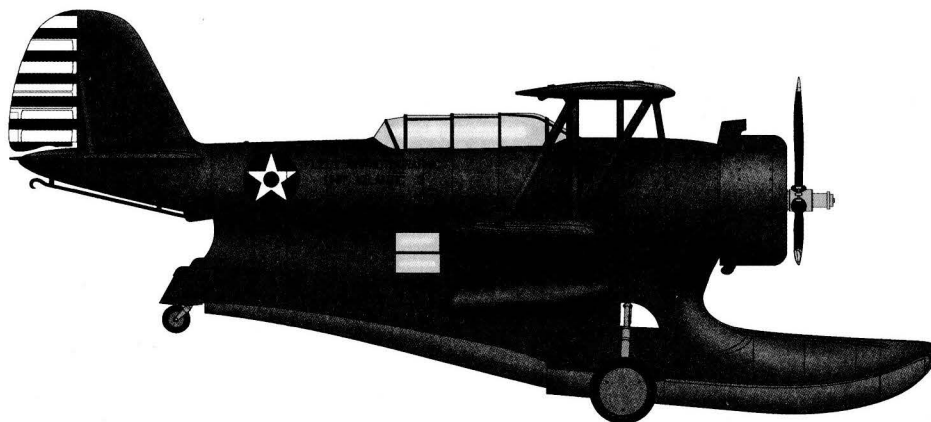


1/48 SCALE
ITEM NO.: 64805



J2F-5 DUCK

J2F-5 “鸭” 水上飞机

READ BEFORE ASSEMBLY:

- Study and understand these instructions thoroughly before beginning assembly
- When needed, remove photo-etch parts carefully using a modeling knife or photo etch cutter, being careful not to damage or lose small parts.
- Take extra care in handling photo etch parts in order to avoid injury
- Apply instant cement sparingly to photo etch parts where instructed

- Tools recommended(not included in kit):Plastic and instant cements,sprue cutters,long nose pliers,modeling knife, small files, tweezers, pin vise & scissors. Soft cloth and sandpaper will also assist in construction
- Glue and paint are not included in the kit. Use plastic cement and hobby paints only. Color guide for purchasing paint is included in the kit.

装配之前仔细阅读

- 小心用模型锉刀锉平所有零件表面的注射浇口。
- 小心用刀片切下蚀刻片零件，不要遗失小零件。
- 用强力快干胶水粘合蚀刻片零件和金属轴。过量快干胶水。使用可能导致可动零件会粘住，小心涂胶。
- 取蚀刻片时应特别注意安全，防止利边划伤手指。
- 某些零件表面需贴水上水贴纸，请选择在装配的同时进行。
- 推荐模型工具(自备)：胶水，水口剪刀，长阻钳，刀片，锉刀，镊子，钳，钻，剪刀，瞬间快干胶。
- 软布同砂纸同时也应该是必备工具。
- 请使用塑料胶水和油漆，模型内不含。

水贴纸的使用:

1. 从水贴上剪下印花;
2. 将印花放入温水中浸10秒，然后放在干净布上。
3. 拿着印花纸板将印花移到模型上;
4. 手指蘸水将印花移到适当的位置;
5. 用软布轻压印花直至水干，气泡消失。

DECAL APPLICATION:

1. Cut decals from sheet as needed
2. Dip the decal in warm water for about 10 seconds and then place on soft clean cloth.
3. Hold the decal backing sheet edge and gently slide the decal onto the model in its proper position.

4. While still wet, decal can be adjusted for better fit on model by dampening it gently with your finger.
5. When placed in the proper position, gently press decal down with a soft cloth until excess water and air bubbles are gone.
6. Allow decal to dry completely before handling model



强力胶
Cyanoacrylate glue



配重
Weight



选择
Option



锉平
File/Sand



不涂胶水
No cement



弯曲
Bend



切除
Cut/Remove

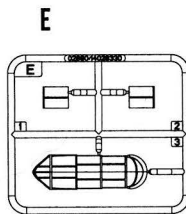
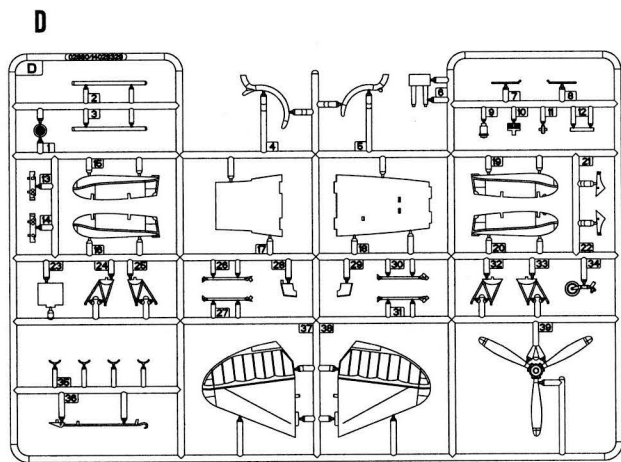
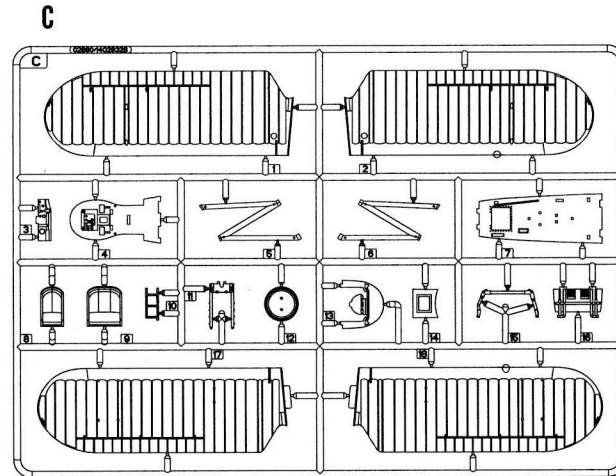
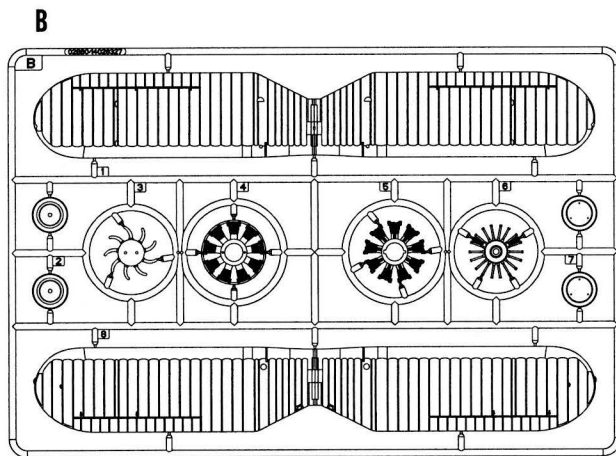
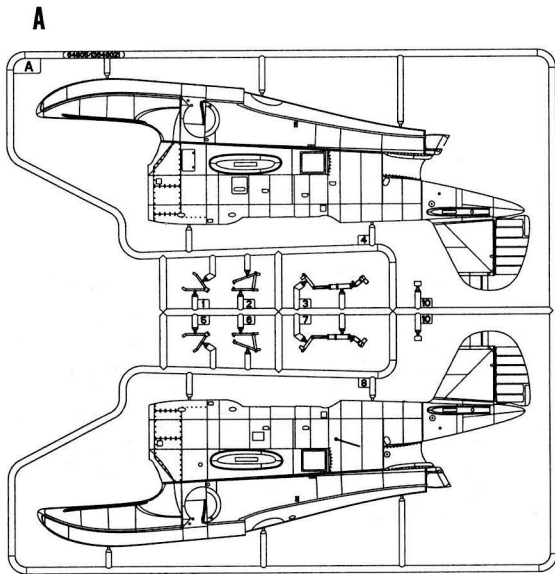


钻孔
Make hole

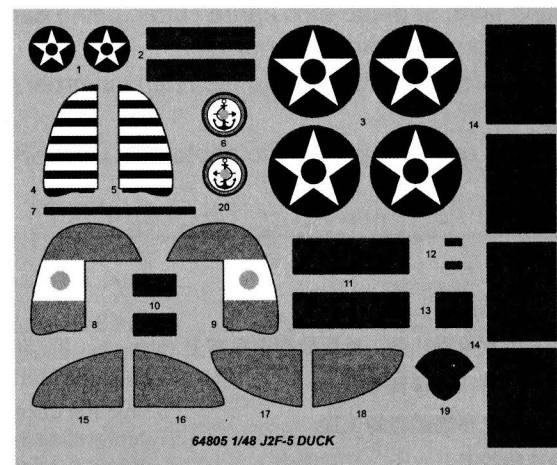


贴纸
Decal

部品图
Parts

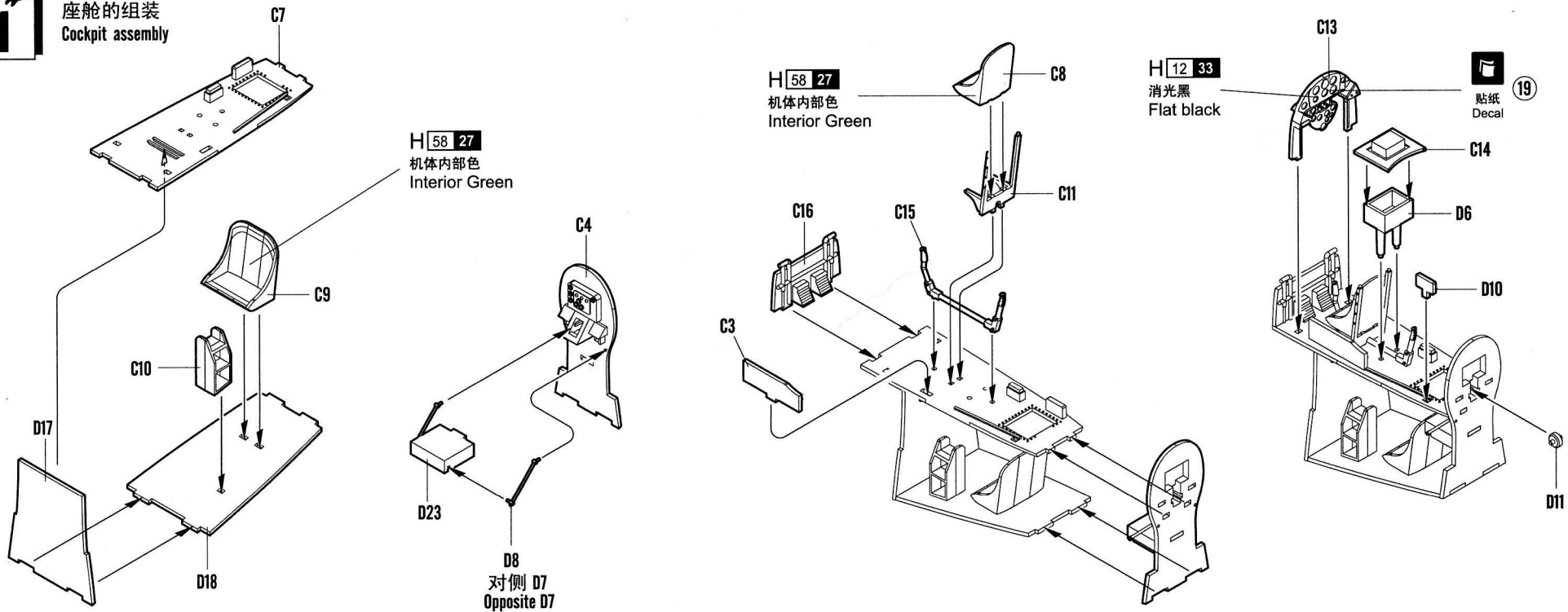


《水贴》 Decal



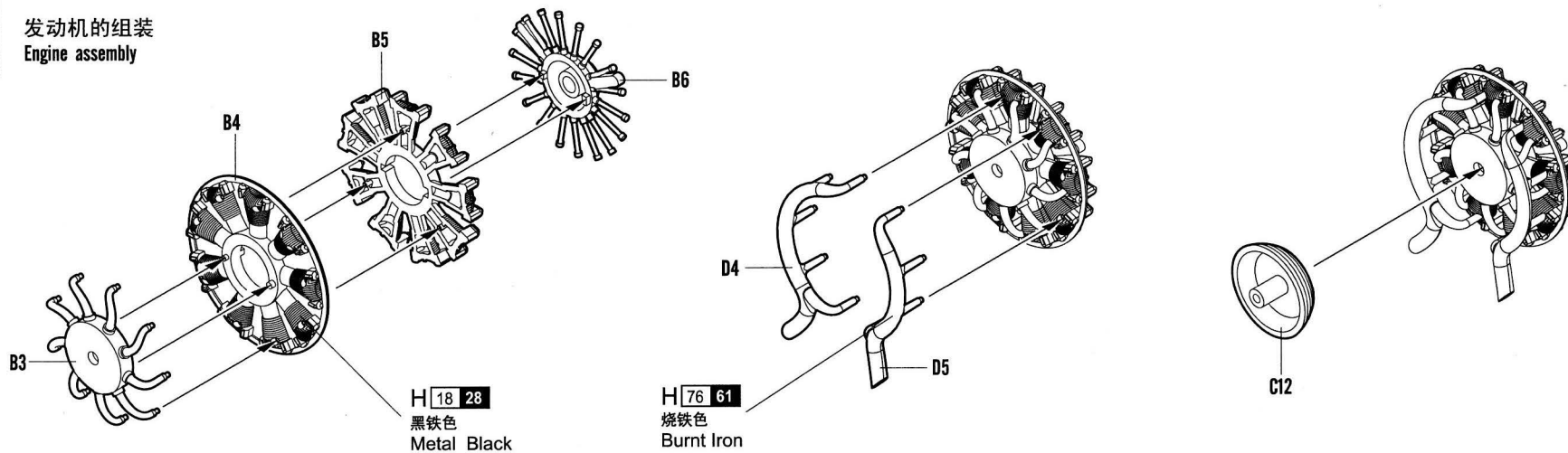
STEP 1

座舱的组装
Cockpit assembly

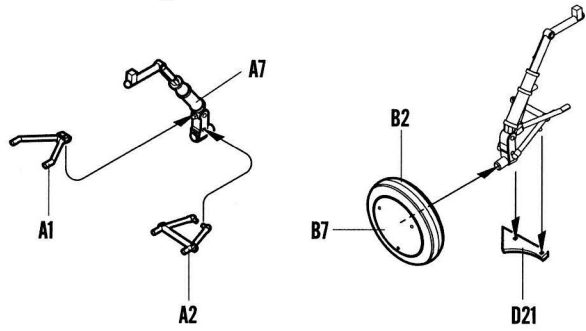


STEP 2

发动机的组装
Engine assembly

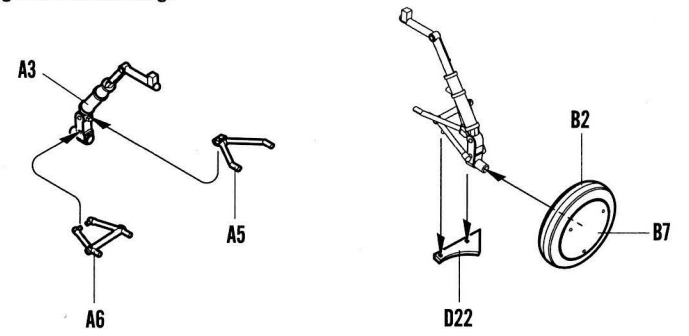


左侧起落架
Left main Undercarriage

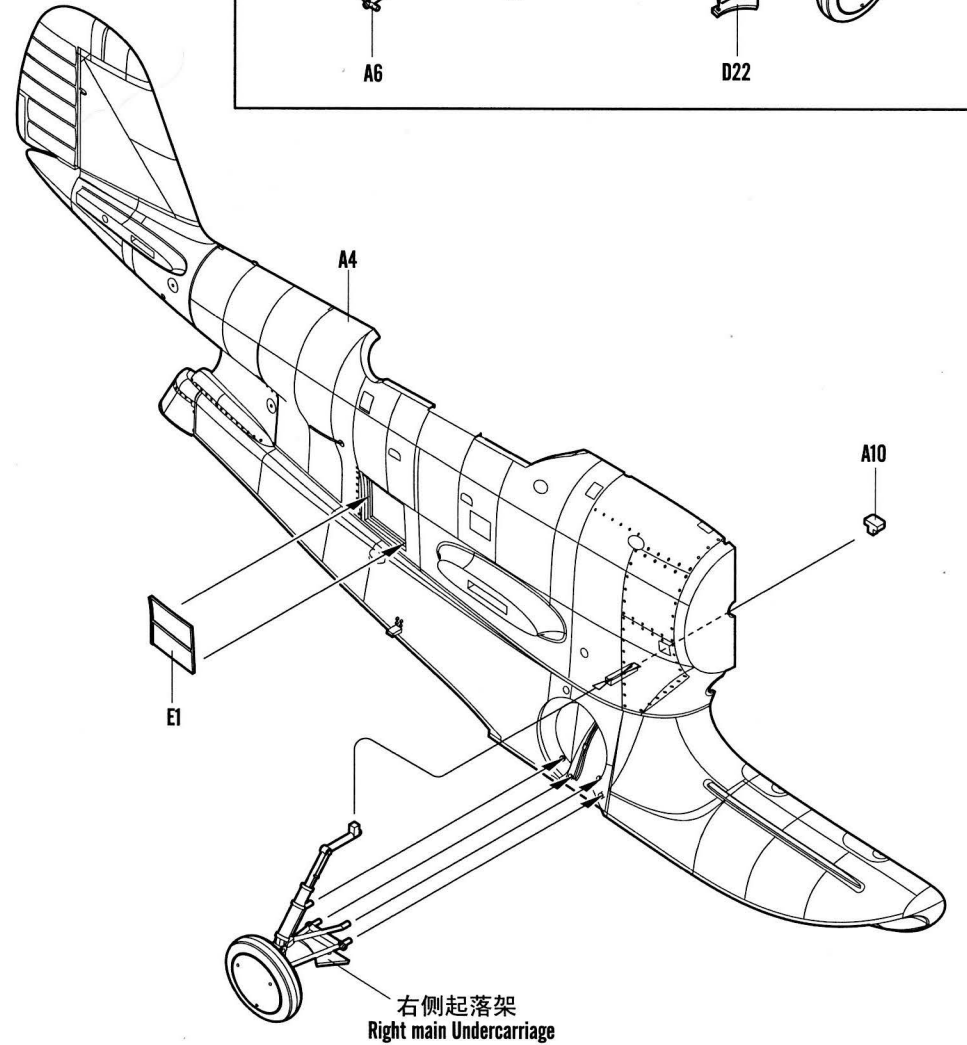
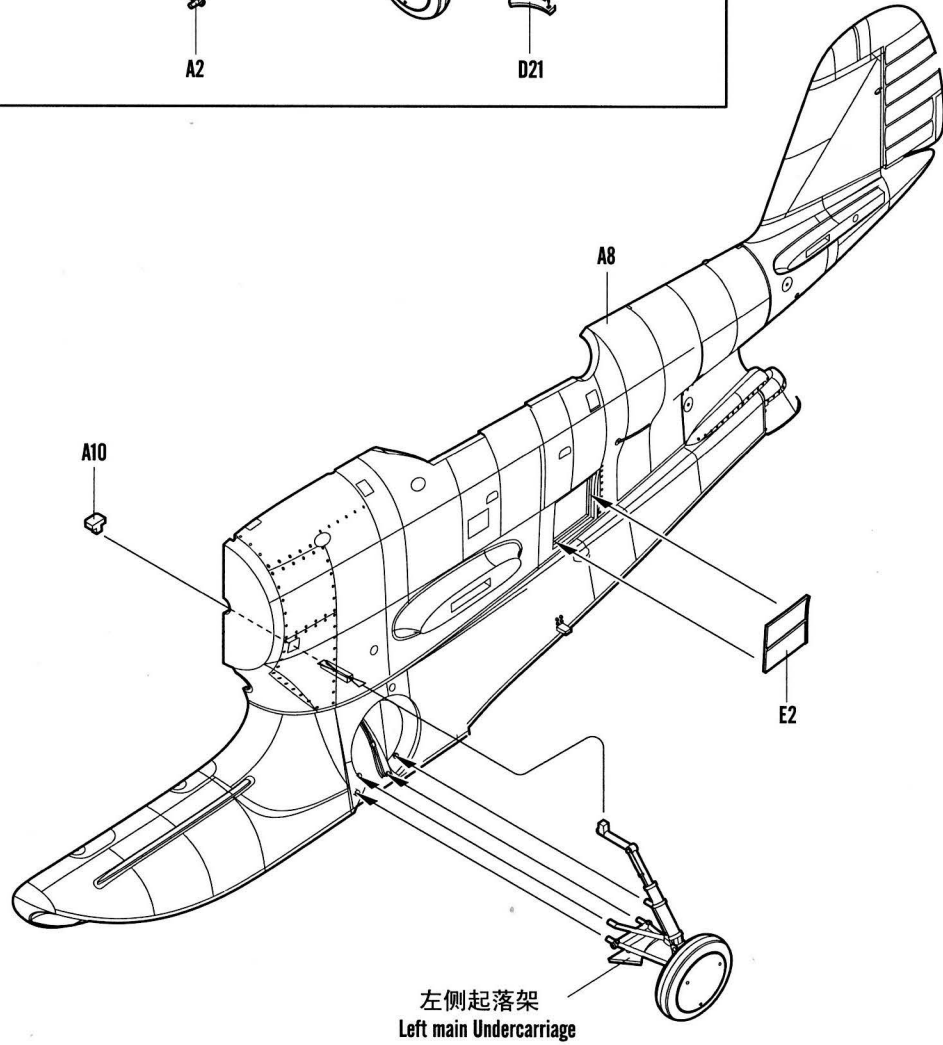


STEP →
3

右侧起落架
Right main Undercarriage

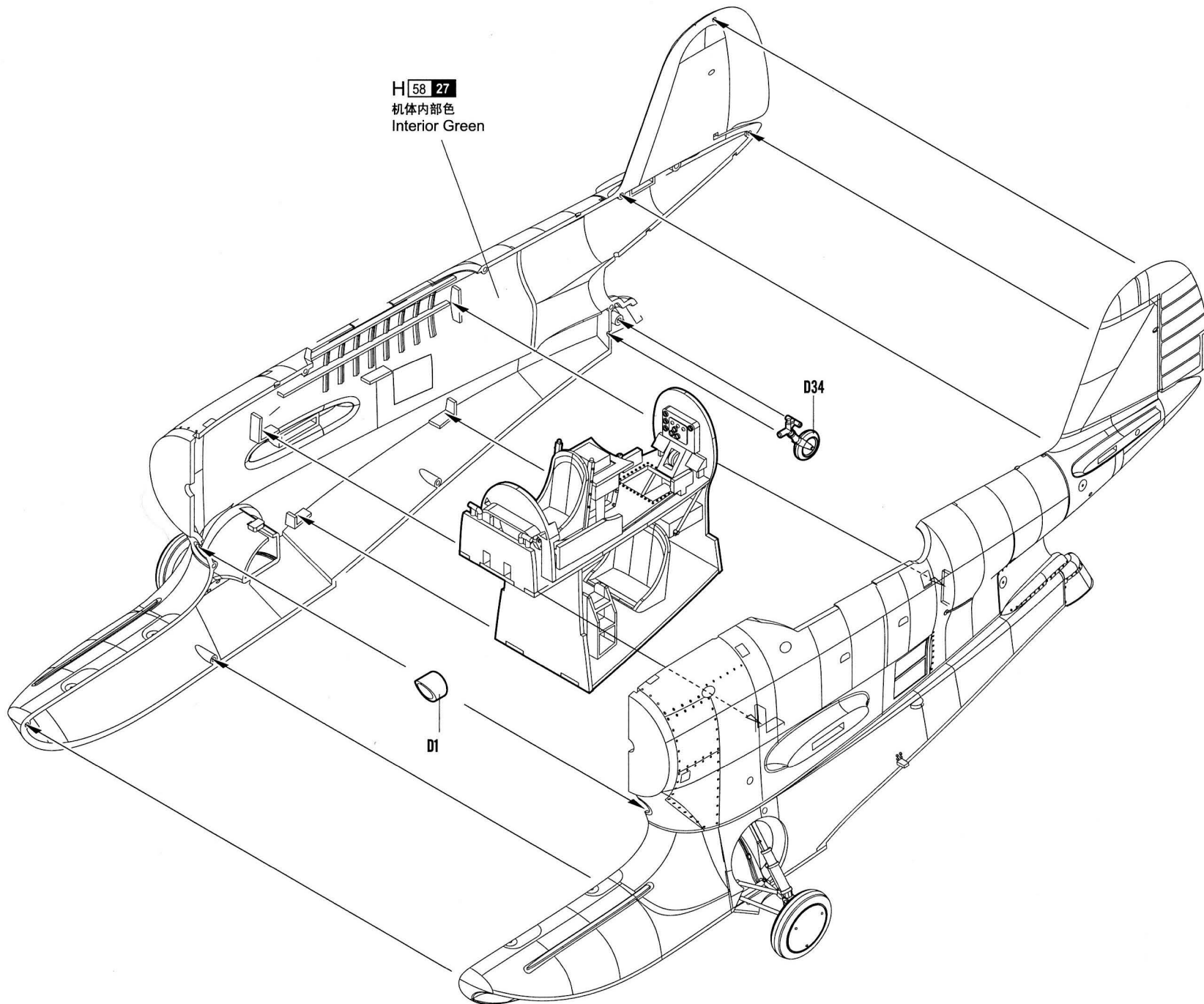


STEP →
4



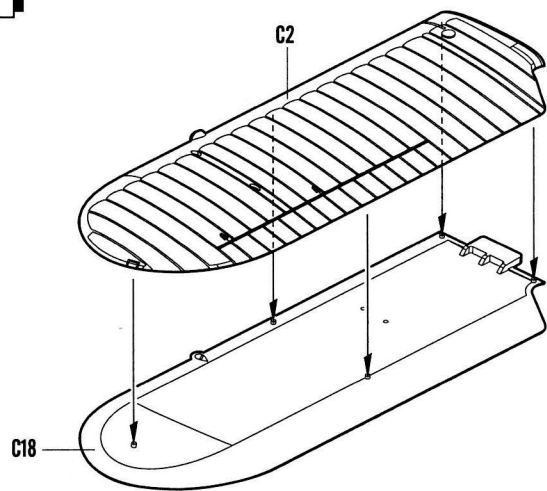
STEP
5

H 58 27
机体内部色
Interior Green



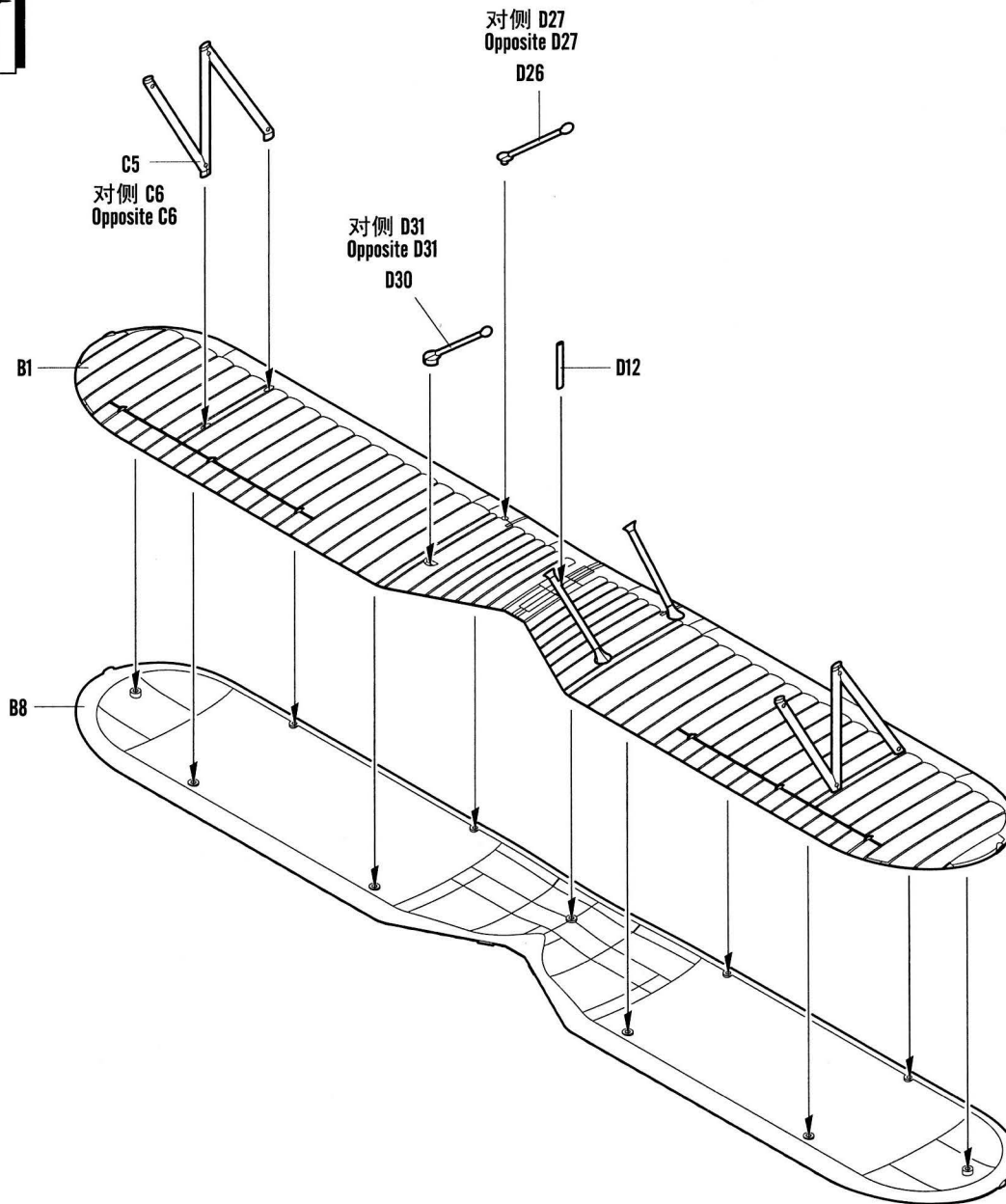
STEP **6**

左侧机翼的安装
Left Wing assembly



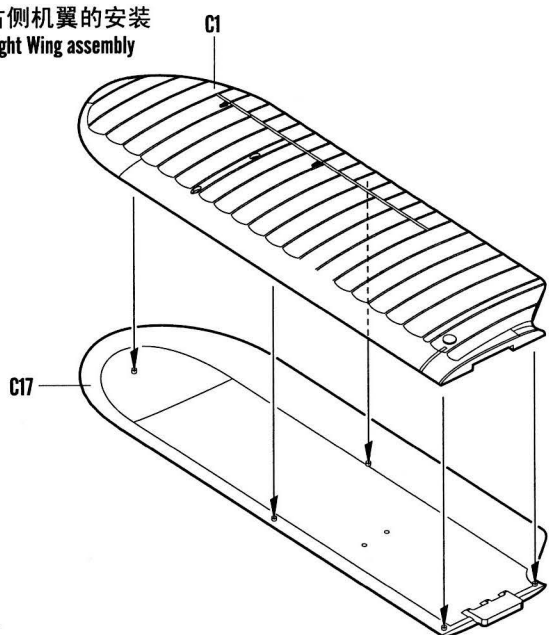
STEP **8**

对侧 D27
Opposite D27

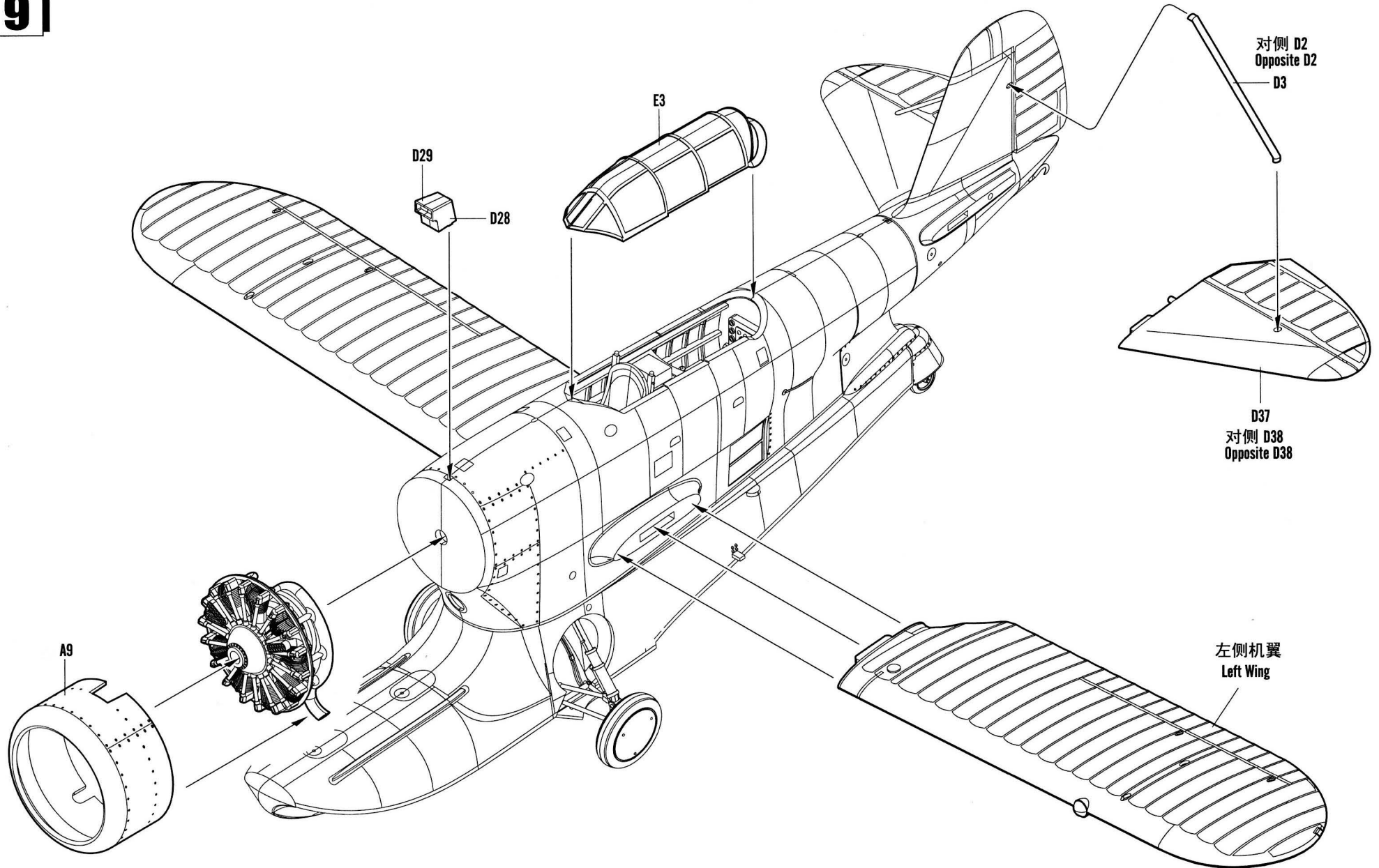


STEP **7**

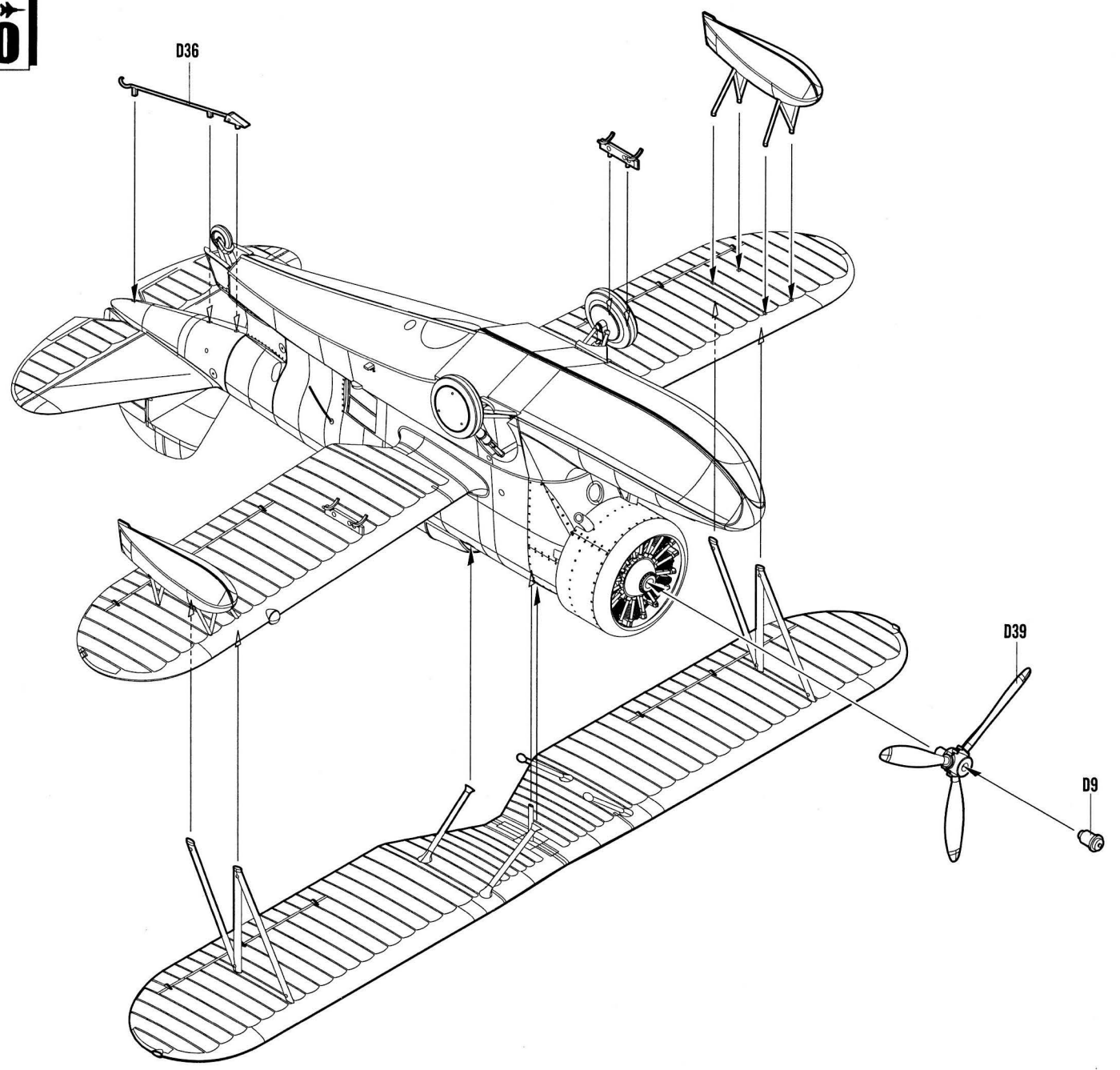
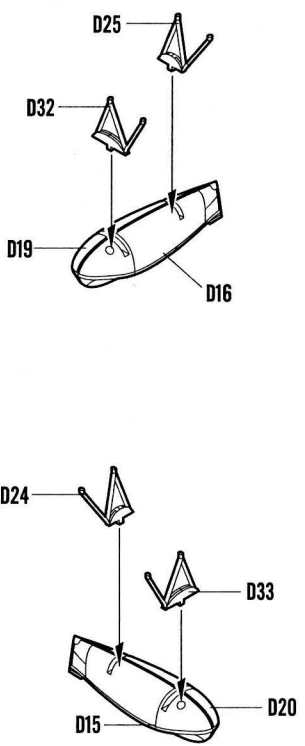
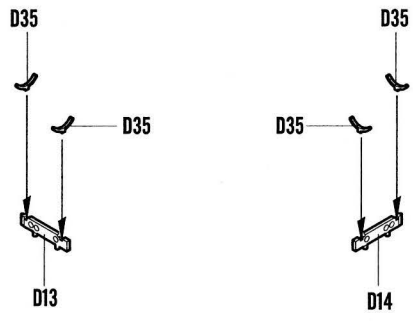
右侧机翼的安装
Right Wing assembly



STEP
9



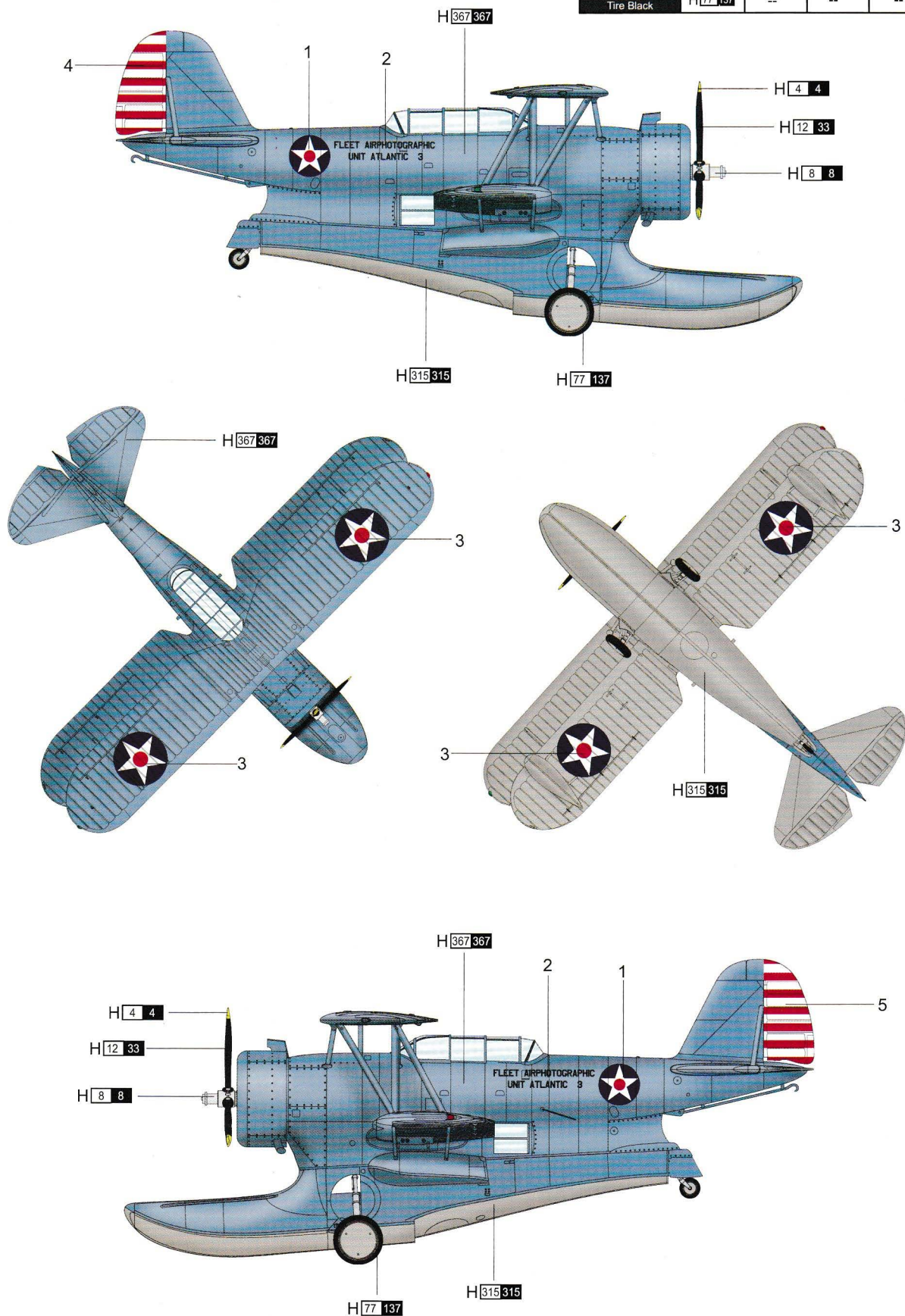
STEP 10



涂装同标贴指示 Painting & Marking guide

PAINT REFERENCE COLOUR					
Color	Mr.Hobby	Vallejo	Model Master	Tamiya	Humbrol
灰色 Light Gull	H 315 315	843	1730	--	129
浅灰蓝色 Light Blue Grey	H 367 367	--	--	--	--
黄色 Yellow	H 4 4	953	1514	X8	69
消光黑 Flat Black	H 12 33	950	1749	XF1	33
银色 Silver	H 8 8	997	1546	X11	11
胎黑色 Tire Black	H 77 137	--	--	--	--

A



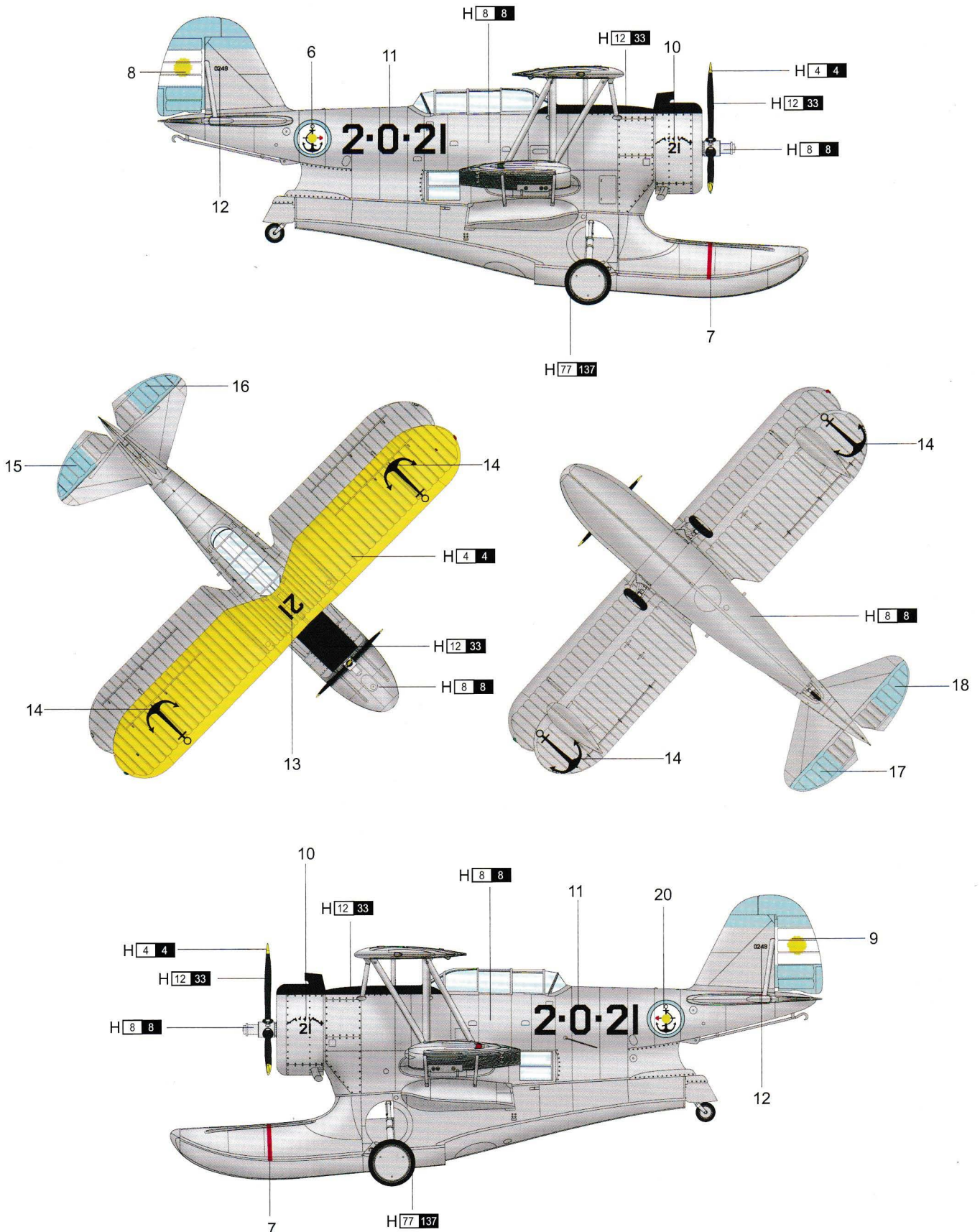
H AQUEOUS HOBBY COLOR

Mr. COLOR

涂装同标贴指示
Painting & Marking guide

PAINT REFERENCE COLOUR					
Color	Mr.Hobby	Vallejo	Model Master	Tamiya	Humbrol
黄色 Yellow	H 4 4	953	1514	X8	69
消光黑 Flat Black	H 12 33	950	1749	XF1	33
银色 Silver	H 8 8	997	1546	X11	11
胎黑色 Tire Black	H 77 137	--	--	--	--

B



H [] AQUEOUS HOBBY COLOR

[] Mr. COLOR