

3. Figure 2 shows the additions to the upper hull plate.

4. The hull floor receives most of the parts. Some details have been omitted in Figure 3 for clarity. Note that some items are located on both sides of the hull, such as the seats & batteries. Take care in this step to align the bulkhead, floor, and transmission mounting plate. Careful test fitting is required in order to align these parts correctly. Figure 4 shows hidden details on the right side of the hull.

5. Figure 7 illustrates the assembly of the winch. First assemble resin parts #3, 4, 5 & 10, then add resin parts #1, 21, 28 & 6. The remaining parts can be added in any order. Cut the lengths of plastic rod after assembly to ensure proper fit. Note that resin part # 22 can be fitted without cement, allowing it to pivot freely to the desired position.

6. Figure 8 shows the assembly of the two MG34 mounts.

7. Figure 9 shows the details added to the insides of the winch superstructure.

8. Figure 10 shows the replacement parts for step 'K' in the Italeri instructions.

9. Figure 11 shows the replacement parts for step 'G' in the Italeri instructions.

10. Figure 12 shows the replacement parts for step 'H' in the Italeri instructions.

11. Figure 13 shows the spare track racks on either side of the engine compartment.

12. Figure 14 shows the assembly of the racks for the wooden beam (resin part #80).

13. Figure 15 shows the assembly of the 20mm gun mount. Photo-etched part #10 replaces Italeri part #118A. Resin parts #19, 27, 32, & 33 make up the 20mm cannon.

14. Resin parts #7 are removable covers for the winch compartment, making up two rows of 6.

This Update Set was designed specifically to fit the Italeri Sd.Kfz. 179 Bergepanther kit. Some trimming and/or modification of the resin and photo-etched parts may be necessary in order to obtain an optimum fit. Some minor cutting and modification of the plastic kit parts is necessary in order to utilize the resin and photo-etched detail parts contained in this Update Set. Some resin & photo-etched parts may be left-over after assembly. Test fit all parts before final assembly to ensure proper fit. We strongly recommend that you read and understand these instructions fully before attempting to assemble this Interior Detail Set.

Omit Italeri kit parts 10A, 80A, 84A, 115A, 116A, 117A, 42B, 43B, 44B, 45B, 58B, 59B, 62B, 71B, 72B, 73B, 74B, 87B, 118B, 14C, 31C, 32C, 33C, 34C, 35C, 39C, 40C, 41C, 63C, 64C, 67C, 68C, 68C, 85C, 86C, 91C, 97C, 98C, 107C, 108C, 109C, 112C, 113C, 114C, 122C, which will be replaced by resin & photo-etched detail parts contained within this Update Set.

1. Remove the interior roadwheel arm sockets from the inside of the Italeri lower hull piece (#1A).

2. Assemble the transmission as illustrated in Figure 1. Note that resin part #49 connects to resin part #50, which fits to part #82 on the winch power take-off (see figure 6).

REFERENCES:

Dai Nihon Kaiga PANZERS IN SAUMUR NO.2
Hiroshi Ichimura

RYTON PUBLICATIONS Panzerkampfwagen PANTHER
UWE FEIST & BRUCE CULVER

The Spielberger German Armor & Military Vehicles Series- Vol. I
Panther & Its Variants WALTER J. SPIELBERGER

Schiffer Military/Aviation History
GERMANY'S PANTHER TANK: THE QUEST FOR COMBAT SUPREMACY
Development - Modifications - Rare Variants - Characteristics - Combat Accounts
Thomas L. Jentz
Scale Drawings by Hilary Louis Doyle

VERLINDEN PUBLICATIONS #0939
Armor in detail n° 2: PANTHER Ausf. A (SD.KFZ. 171)
from the SAUMUR Tank Museum Collection

Photo-Etched parts
 Resin

Figure 1

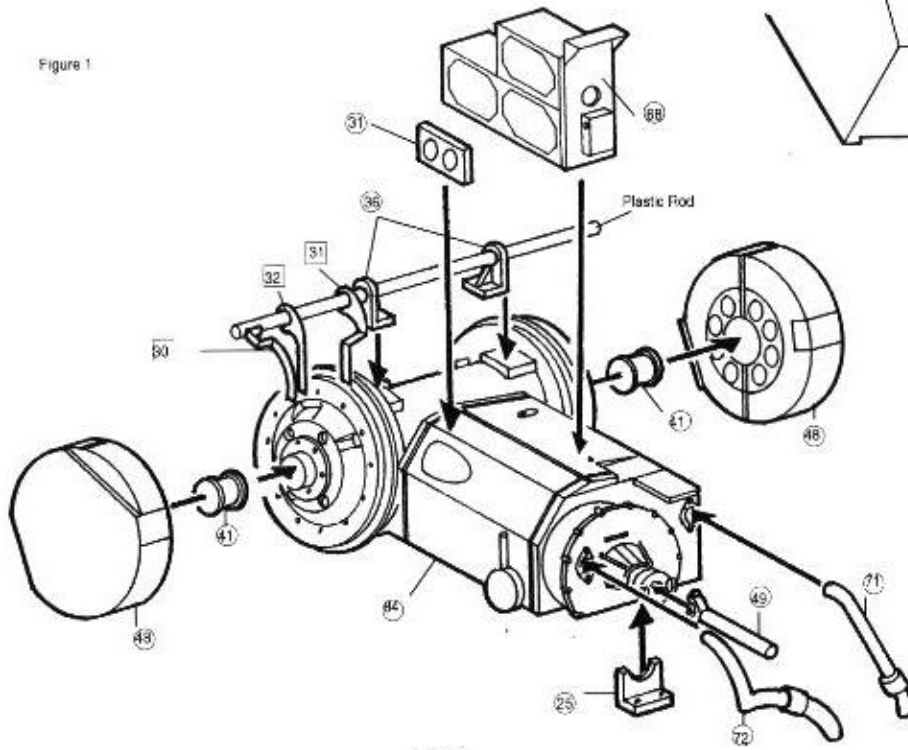


Figure 2

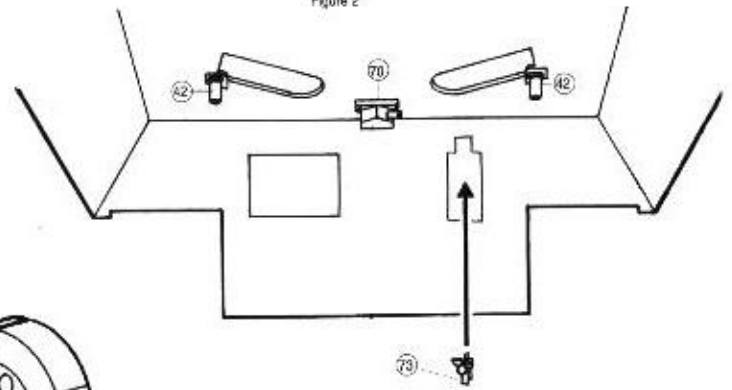


Figure 3

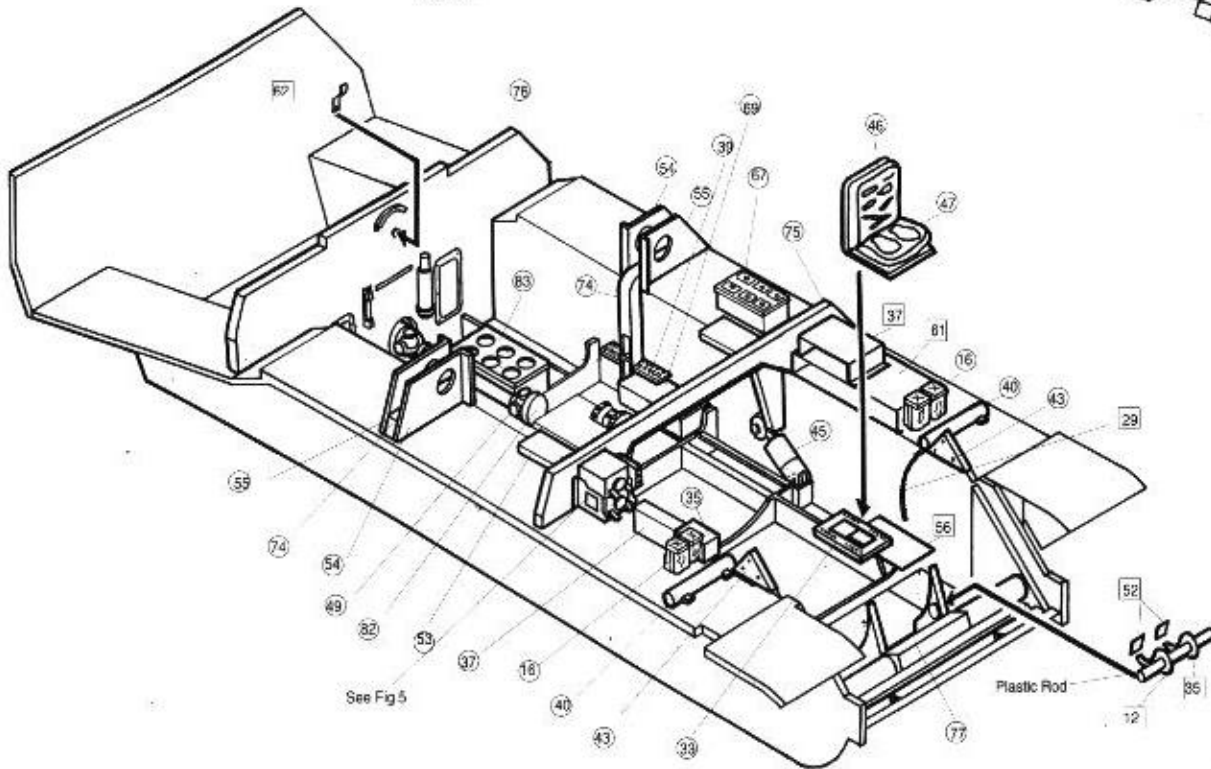


Figure 5

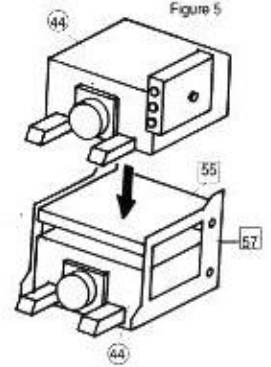


Figure 4

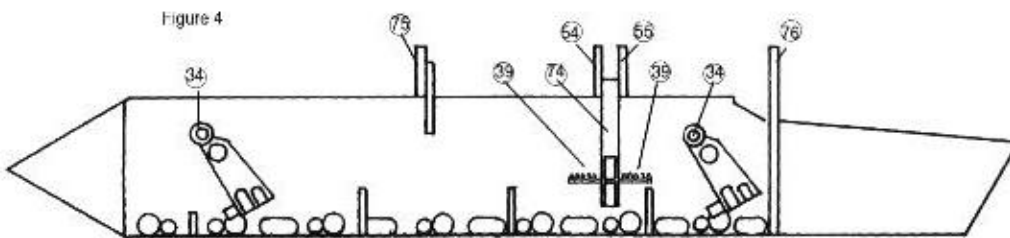
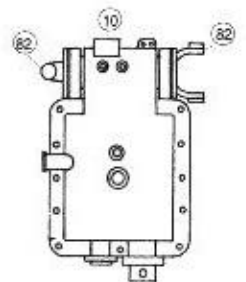


Figure 6



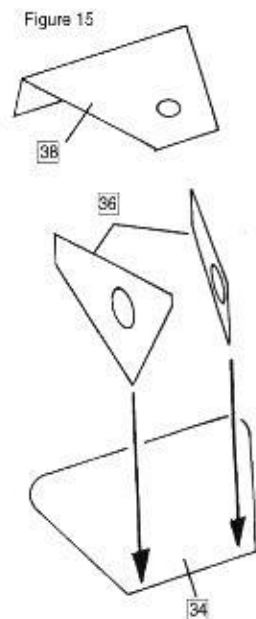
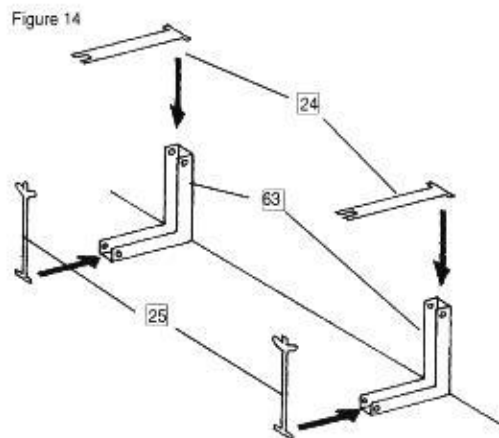
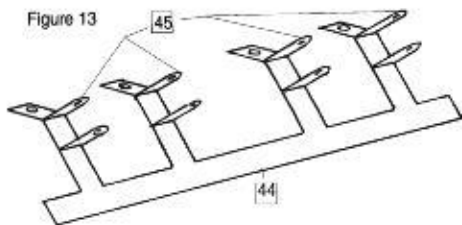
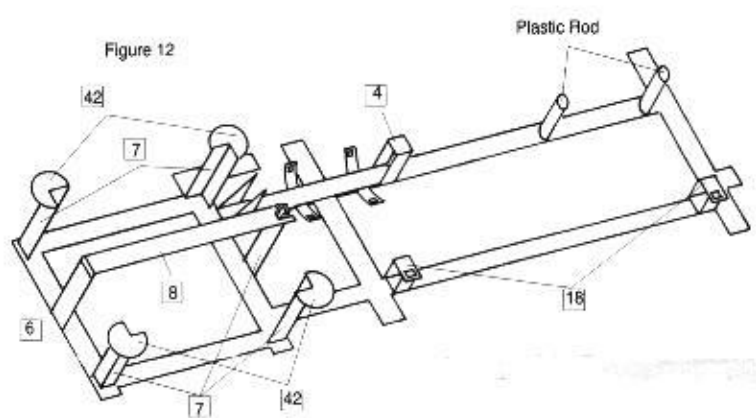
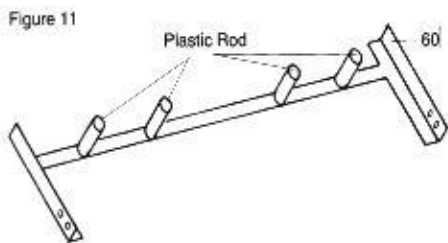
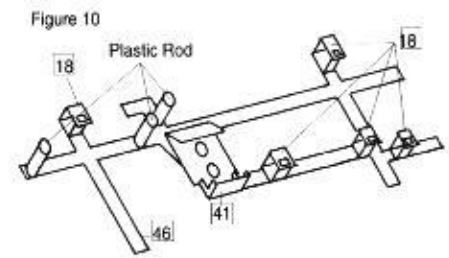
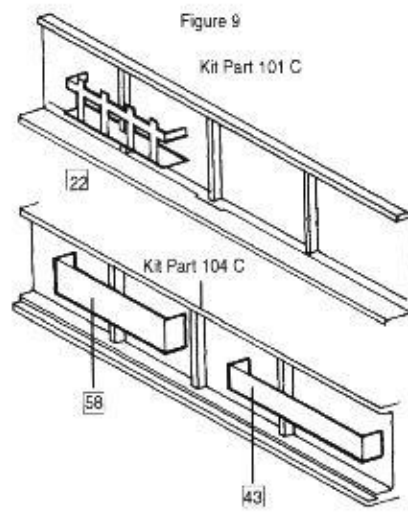
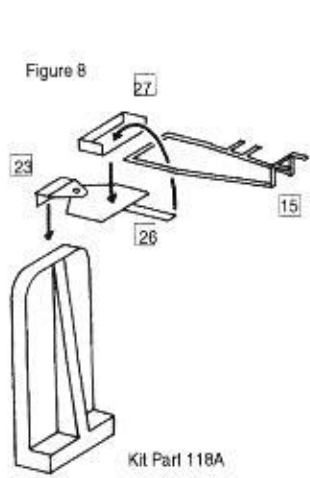


Figure 7.

