



T-55A

eduard
35 453
1/35 scale detail set for Shif kit 221 • sada detailů pro model 1/35 Shif 221

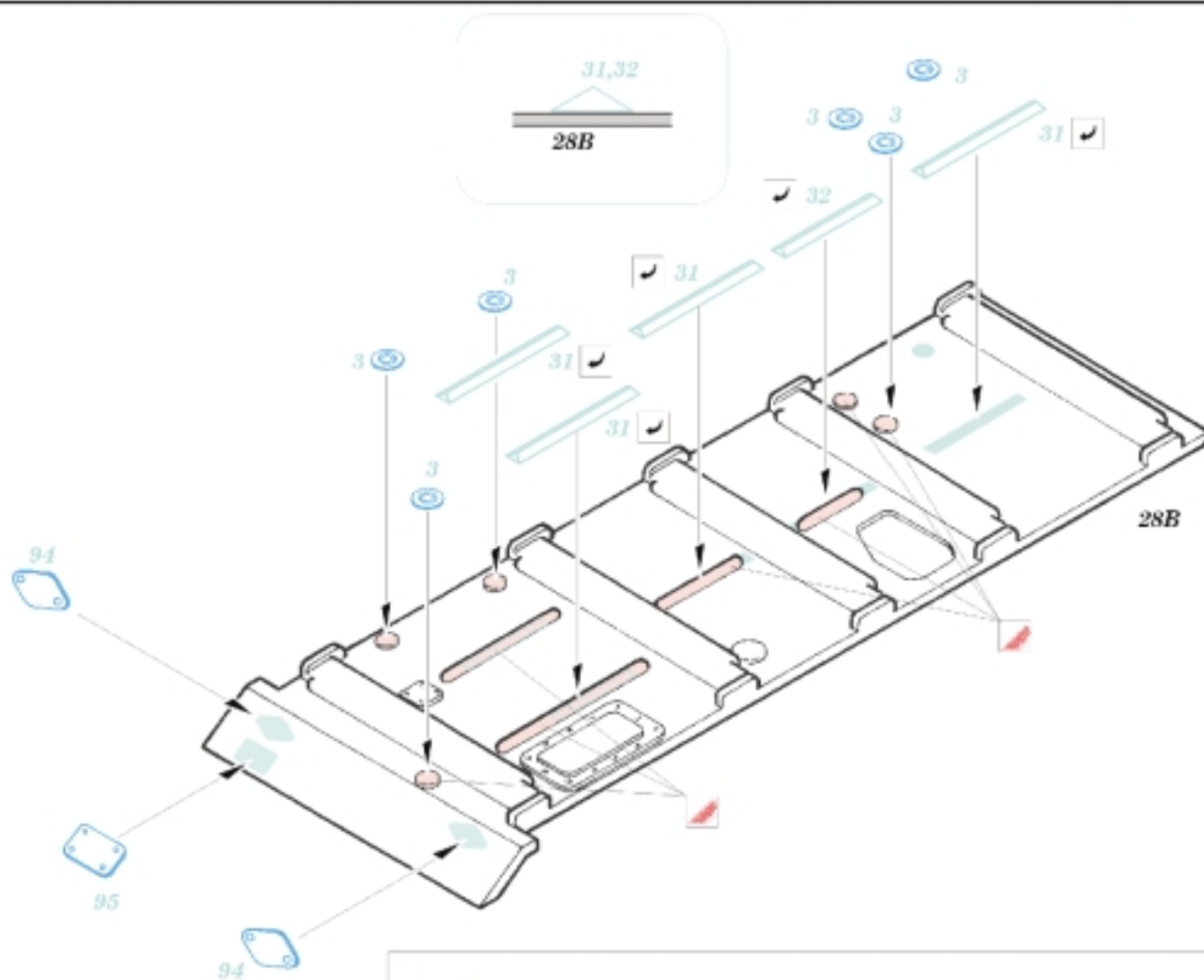
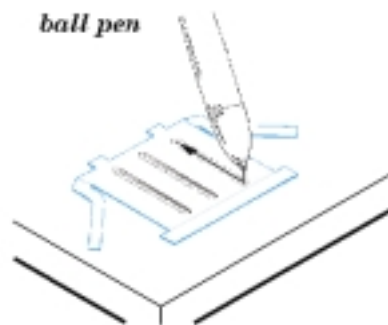

-  SYMMETRICAL ASSEMBLY
SYMETRICKÁ MONTÁŽ
-  REMOVE
ODSTRANIT
-  BEND
OHNOUT
-  REPLACE
NAHRADIT
-  GRIND
OBROUSIT
-  OPTION
VOLBA

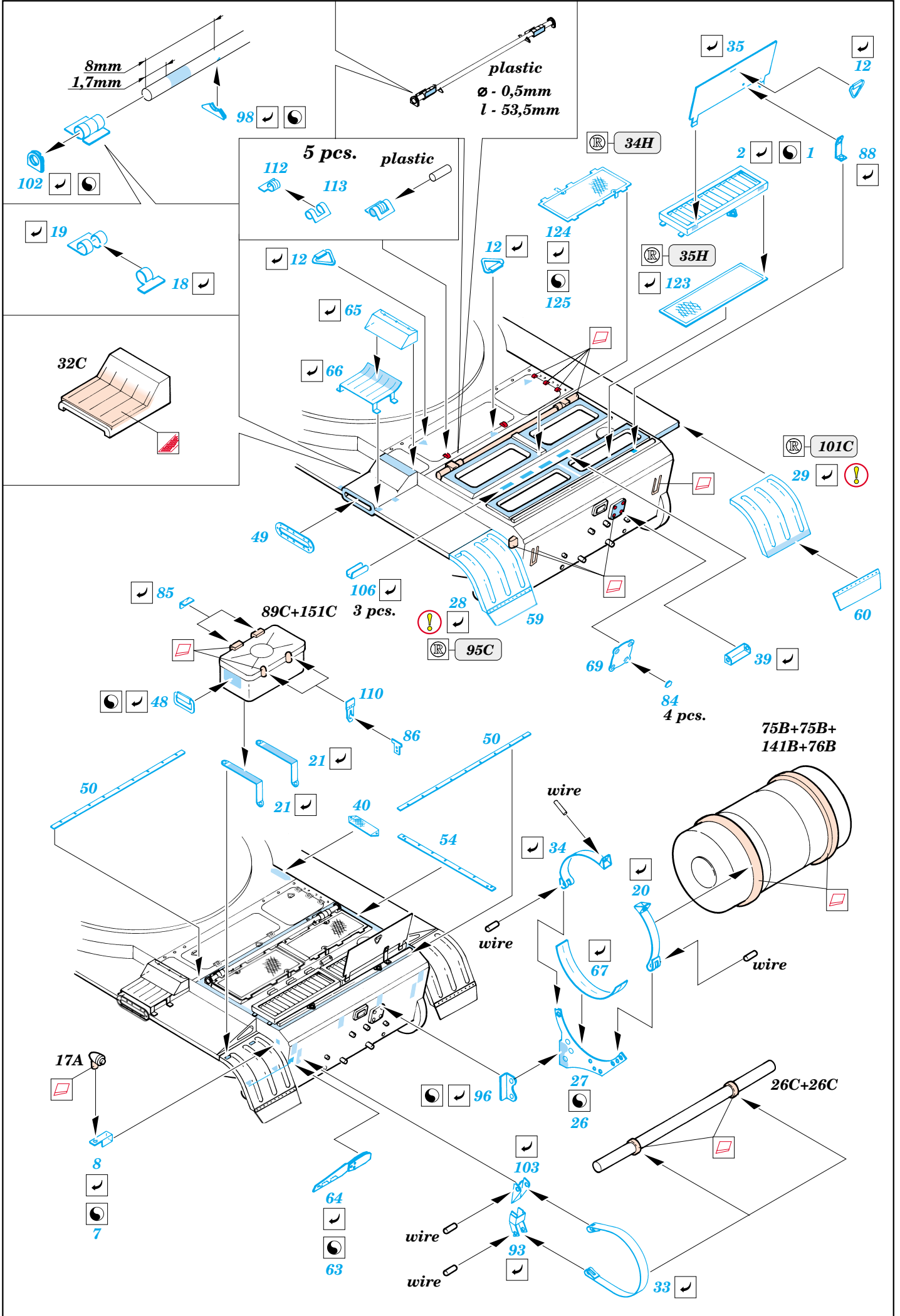
 ORIGINAL KIT PARTS
PŮVODNÍ DÍLY STAVEBNICE

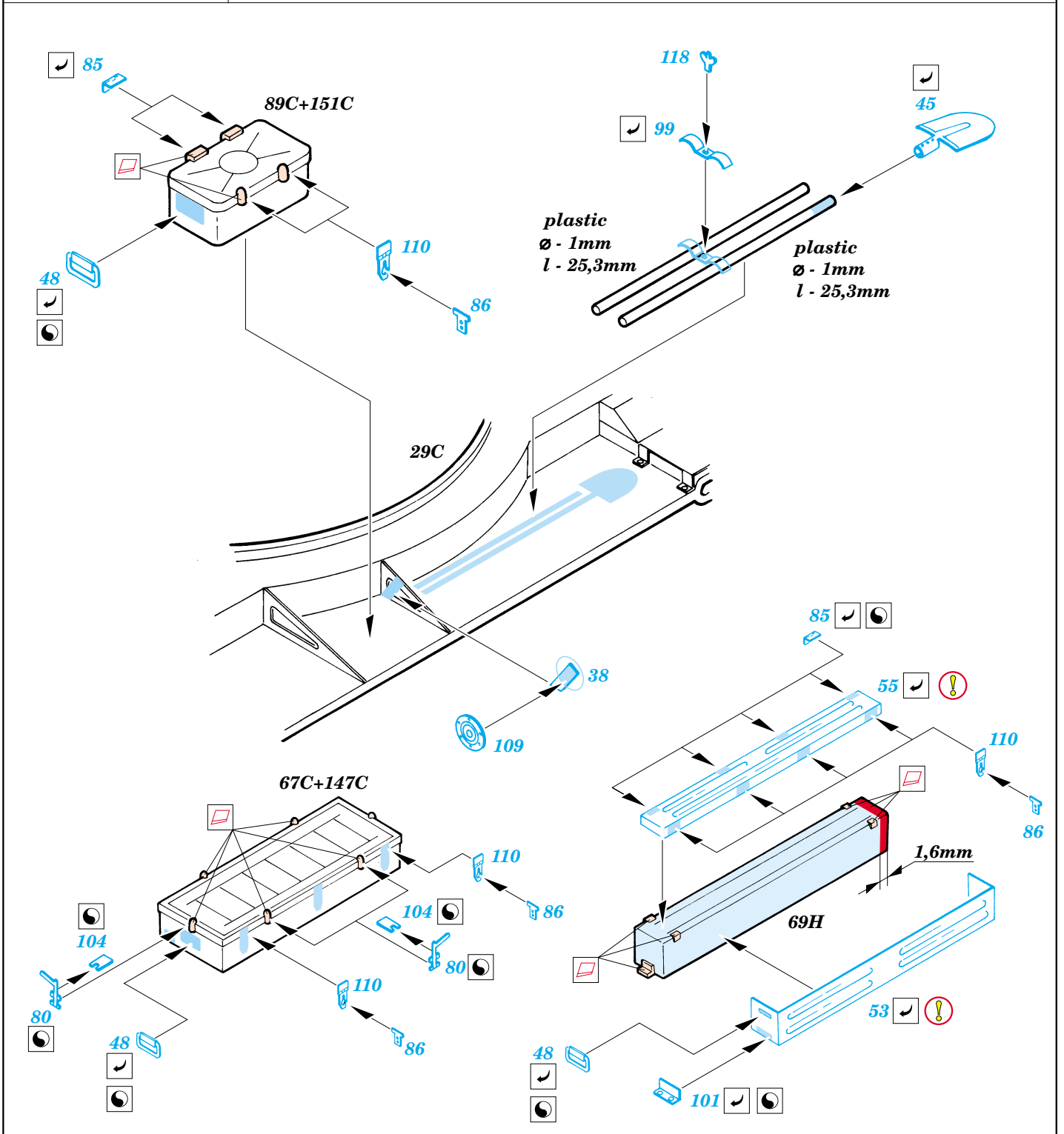
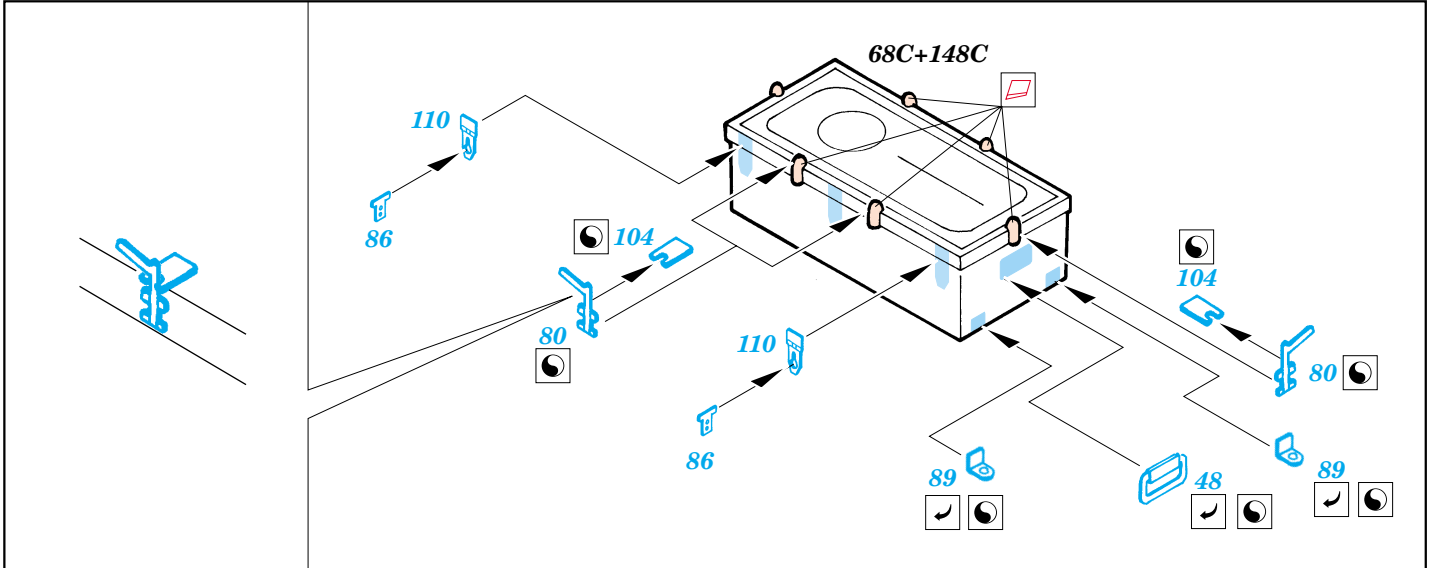
 PHOTO-ETCHED PARTS
LEPTANÉ DÍLY

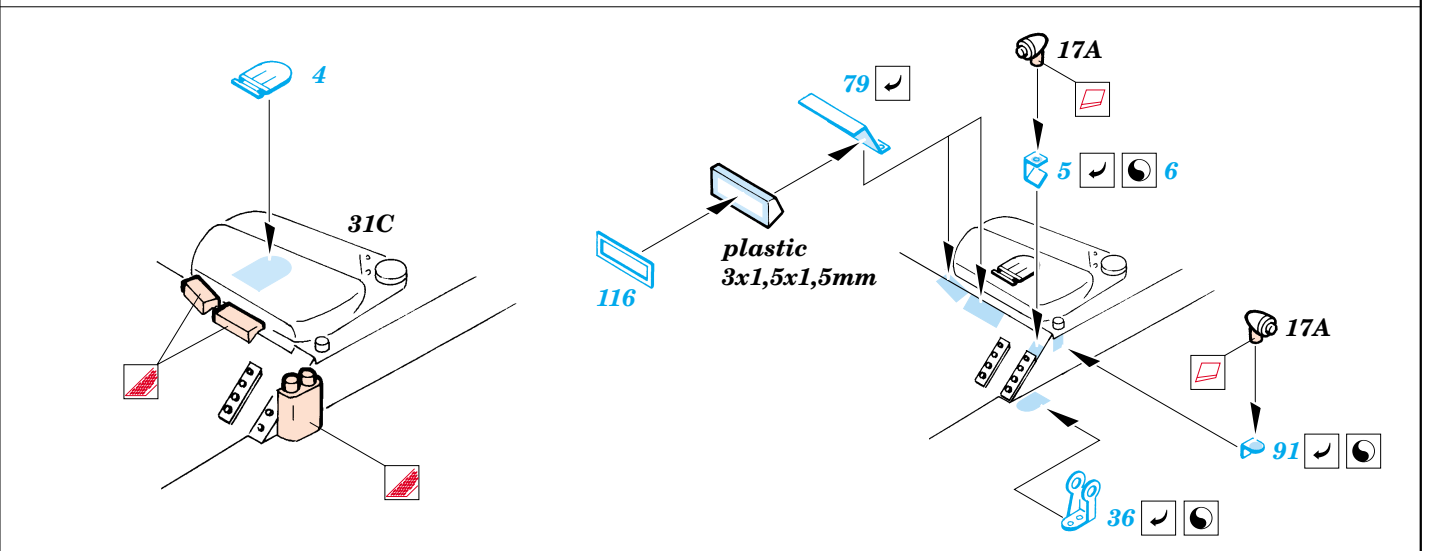
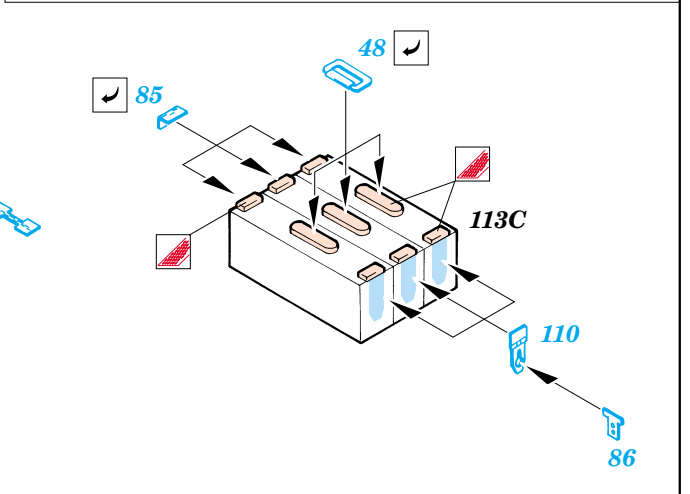
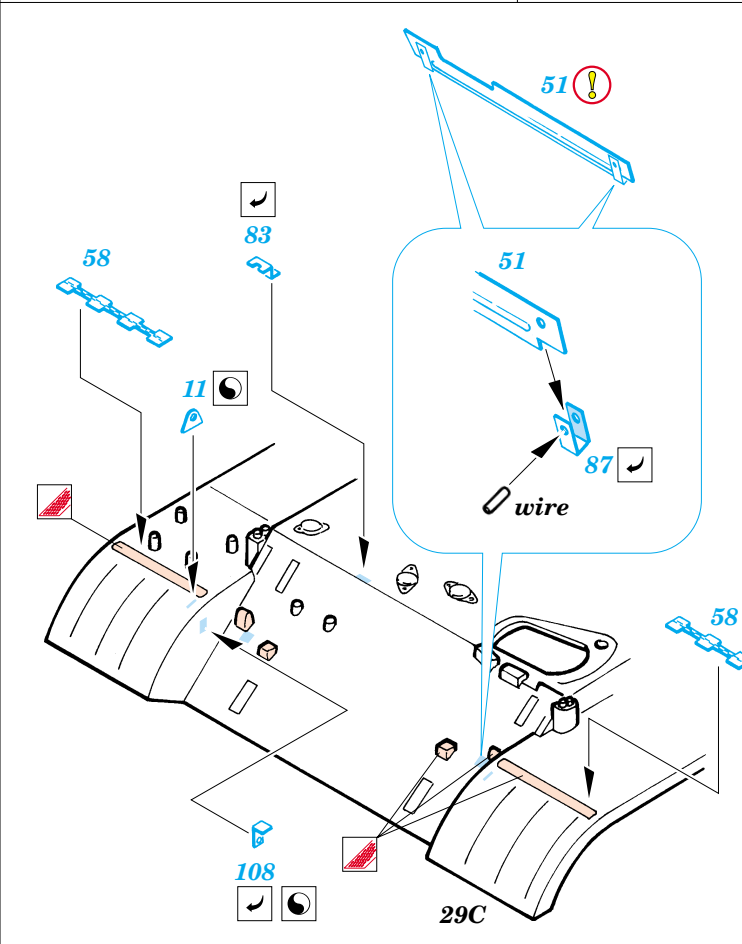
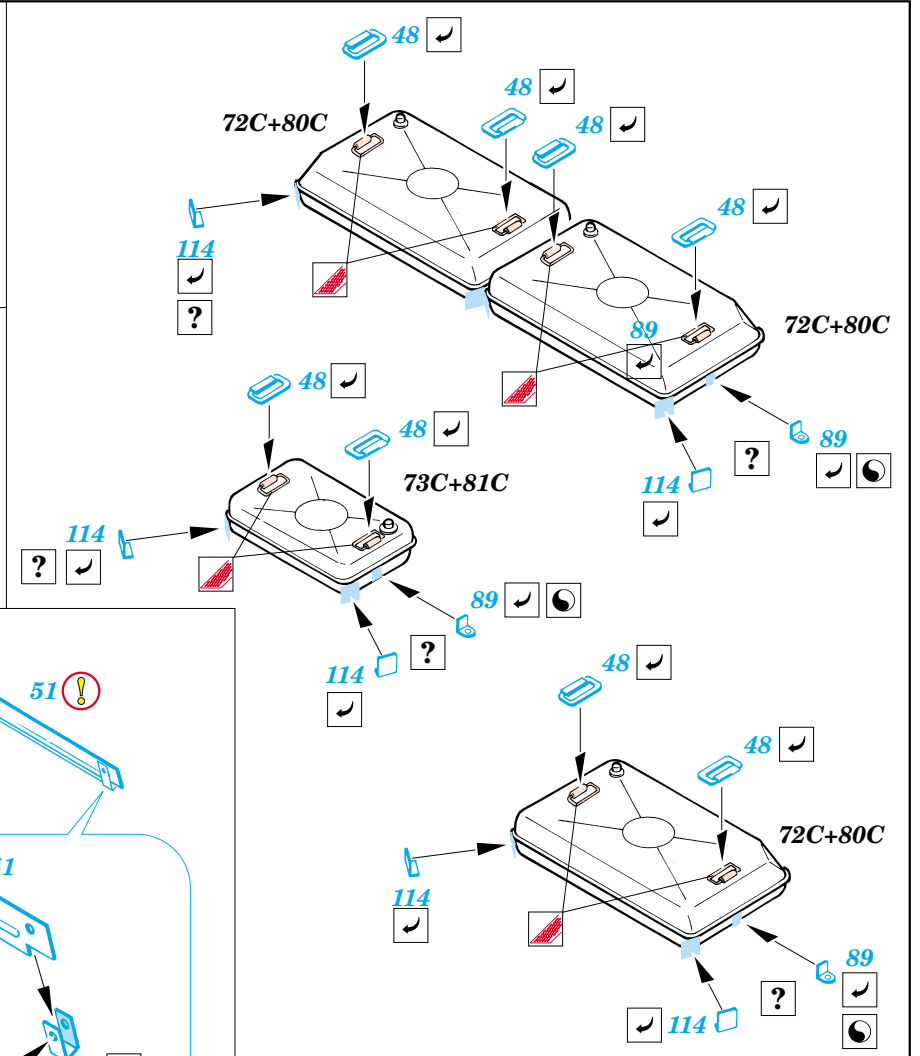
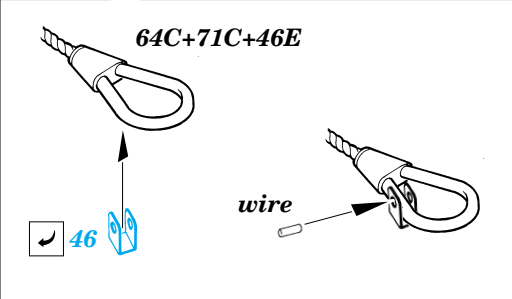
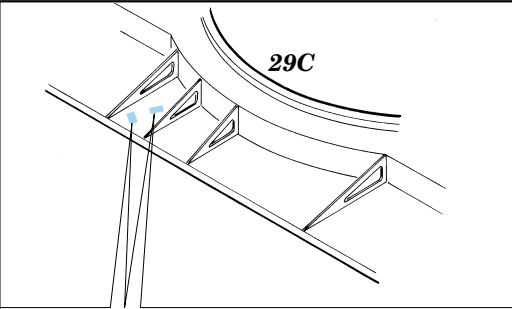
 PARTS TO BE REMOVED
DÍLY K ODSTRANĚNÍ

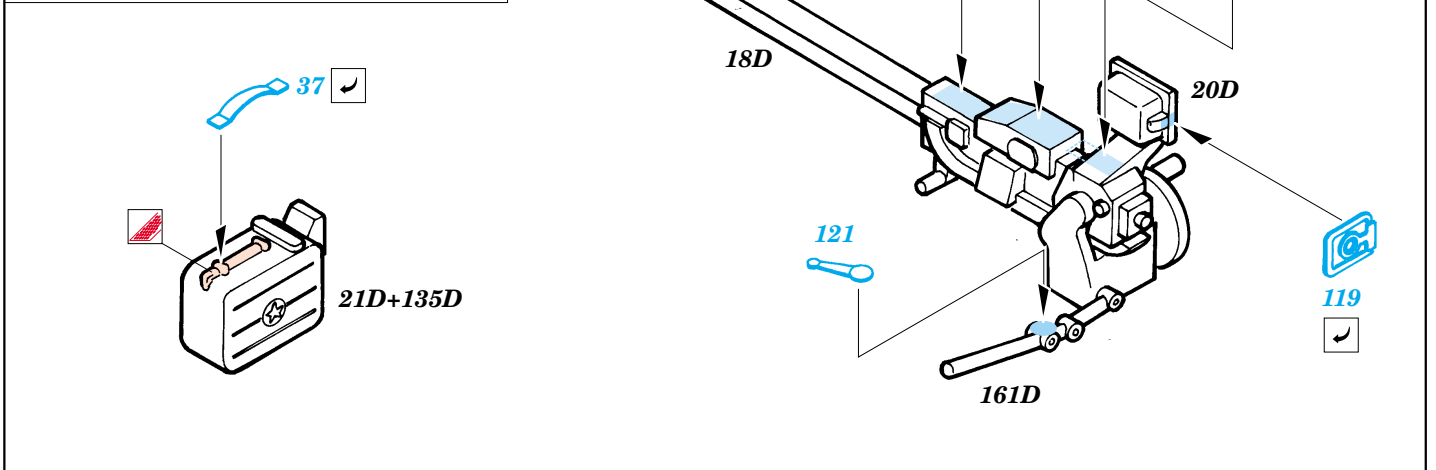
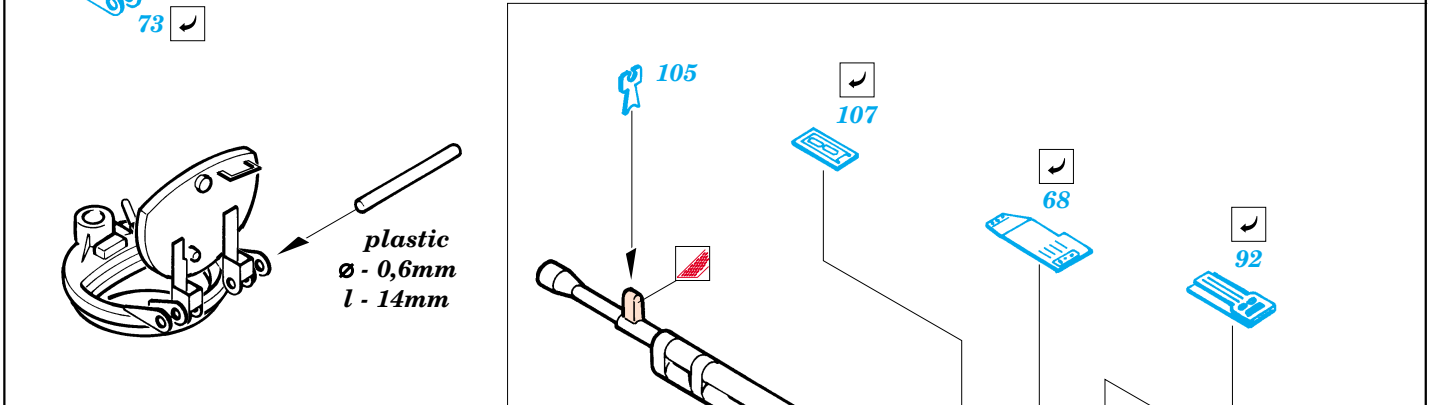
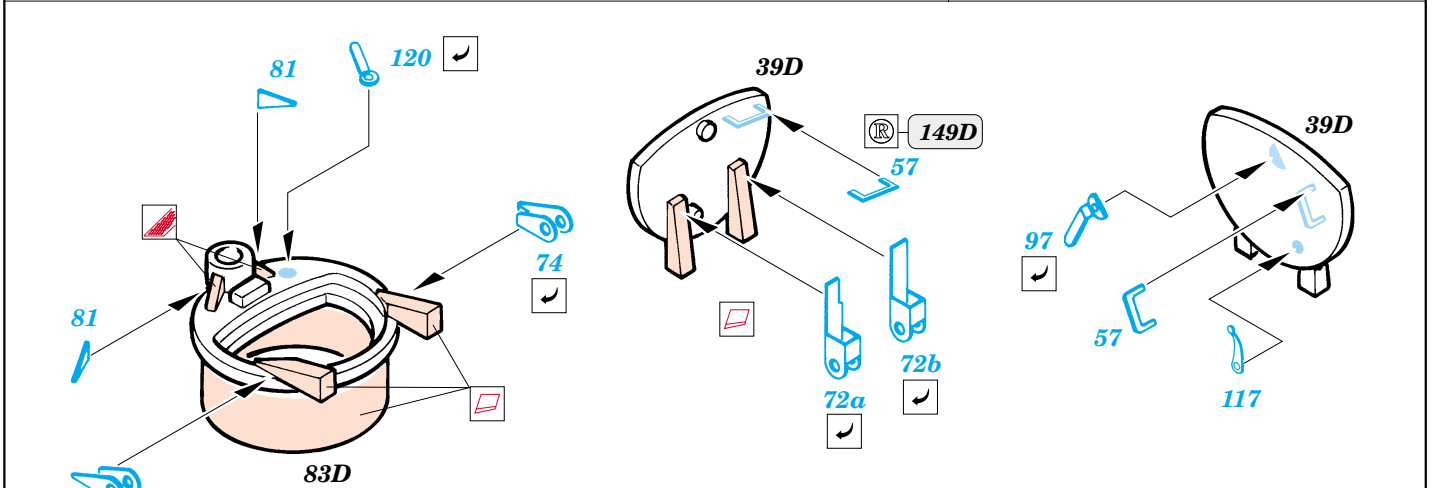
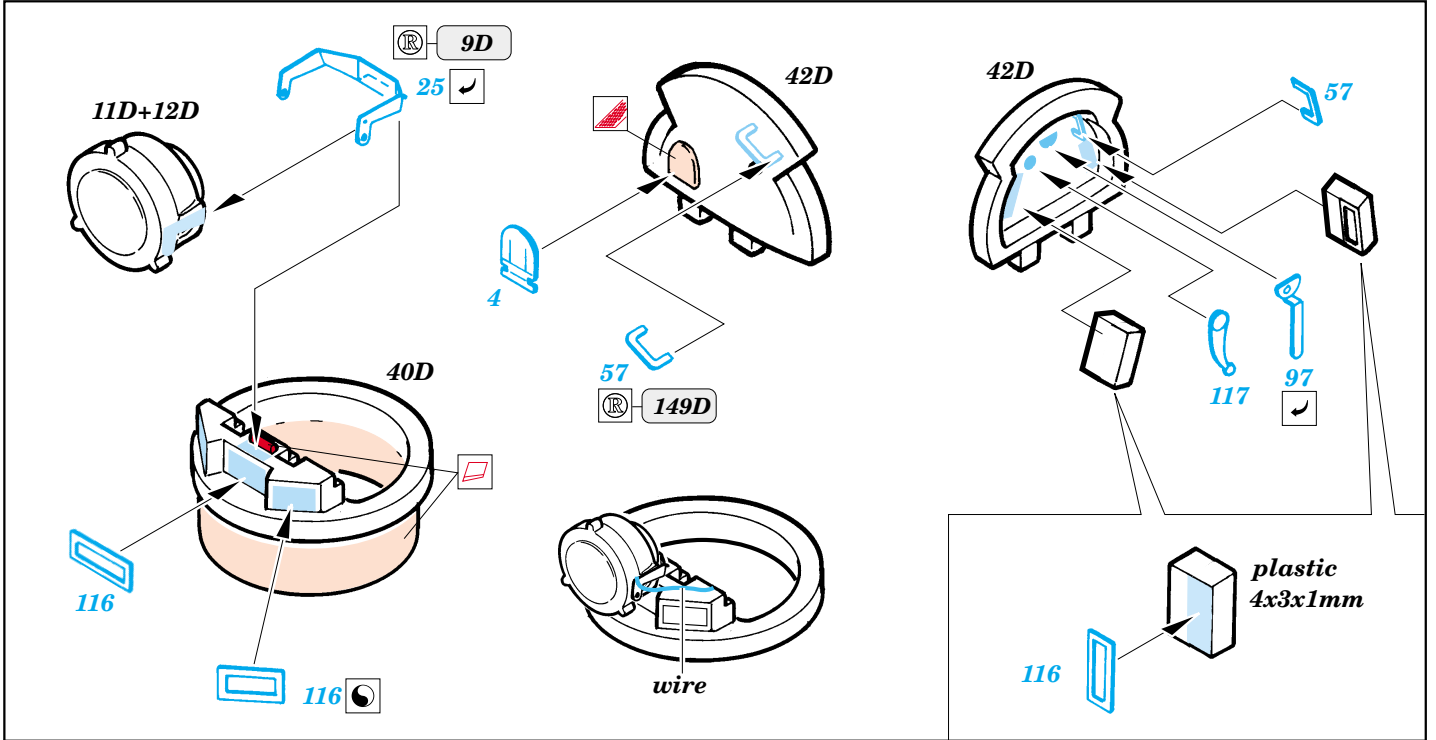
 FILL
TMELIT

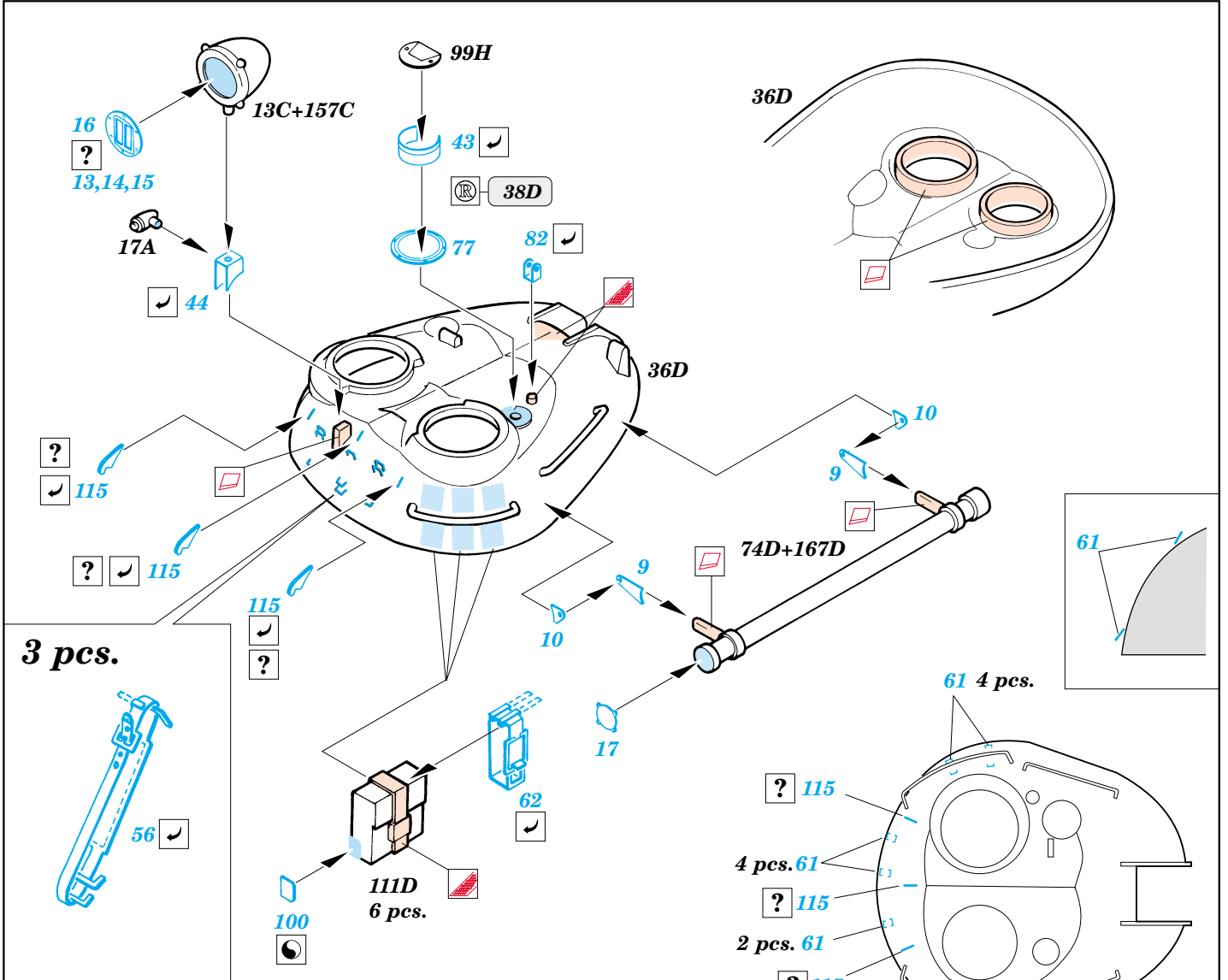

ball pen

ball pen



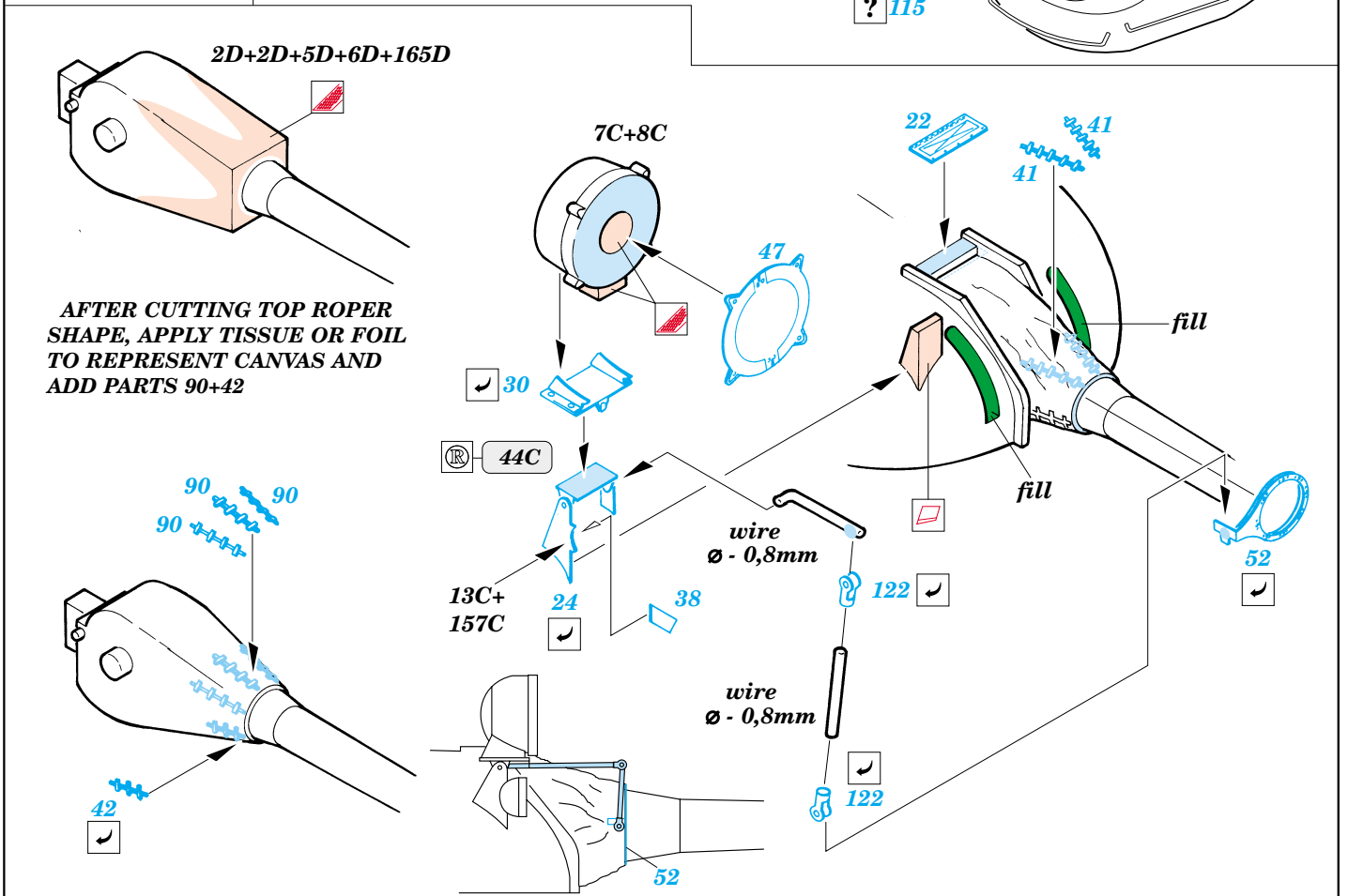




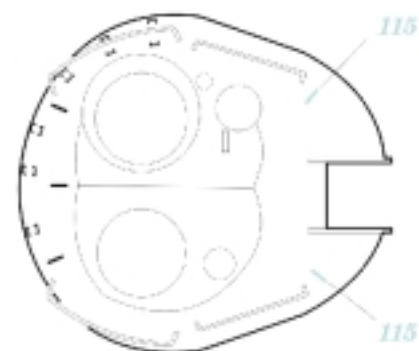
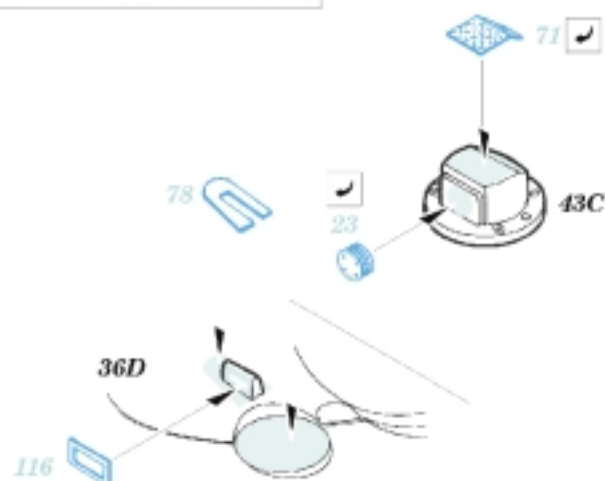


3 pcs.

61 4 pcs.



AFTER CUTTING TOP ROPER
SHAPE, APPLY TISSUE OR FOIL
TO REPRESENT CANVAS AND
ADD PARTS 90+42



REFERENCES: Tamiya News #6
Military Modeling #12/2000

For further detail sets look for **eduard**
35 476 T-55A interior (not included in this set)

