



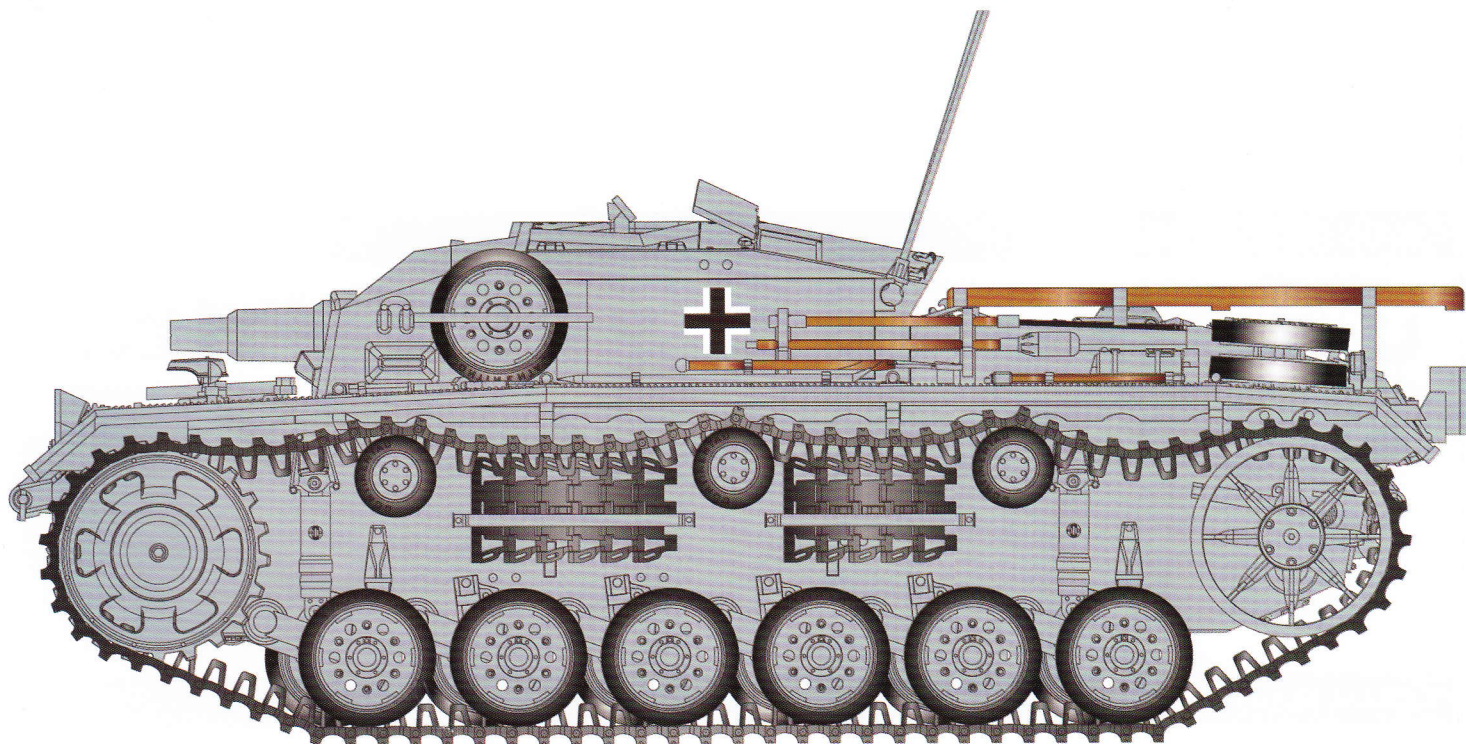
Bronco Models


Kit No CB-35119

Sturmgeschütz III E Sd.Kfz. 142/1 (Eastern Front 1942)

德国三号突击炮E型(东线战场1942)

1/35 SCALE



StuG III Ausf. E: (Sd.Kfz 142; September 1941-February 1942, 284 produced) Superstructure sides added extended  rectangular armoured boxes for radio equipment. Increased space allowed room for six additional rounds of ammunition for the main gun (giving a maximum of 50) plus a machine gun. One MG 34 and seven drum-type magazines were carried in the right rear side of the fighting compartment to protect the vehicle from enemy infantry. Vehicle commanders were officially provided with SF14Z stereoscopic scissor periscopes. Stereoscopic scissor type periscopes for artillery spotters may have been used by vehicle commanders from the start.

Gepanzerter Selbstfahrlafette für Sturmgeschütz 7.5cm Kanone Auf.E in numbers:


Length: 5.40m

Hull Width: 2.93m

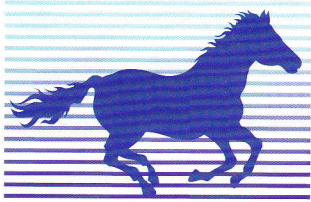
Height: 1.98m

Crew: 4

Weight: 20.8 tons

三号突击炮E型开始生产于第二次世界大战期间的1941年9月,作为短身管75mm炮的最终生产型,被广泛用于战场突击  部队的指挥车辆,为了充分发挥指挥车的作用,三突E型改装了Fu16无线受信机,由于此受信机的体积的关系,所以E型改修加大了2侧防护装甲,这个成为了分辨区分E型同其它型号突击炮的特征之一.整个战争期间,三号突击炮E型共生产了284辆,大部分被作为战场指挥车使用。大战末期,少量E型被当做坦克用于阻击敌军。

PARTS LIST 零件指示表 :



BRONCO

Bronco Models

Copyright © 2016

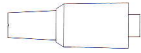
Made in China

中国制造

No use parts
不要部件



Metal barrel

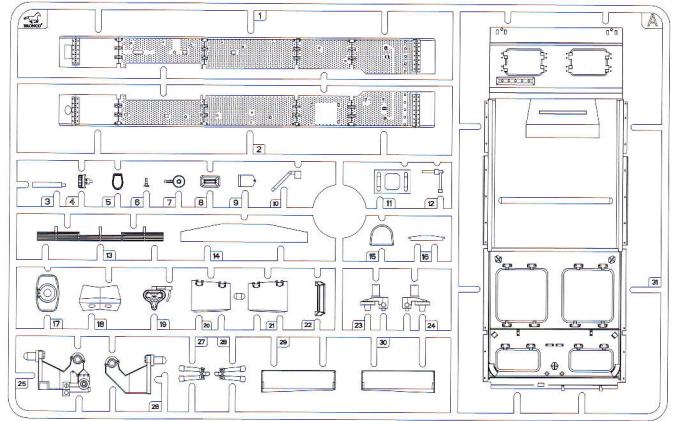


Copper wire × 2

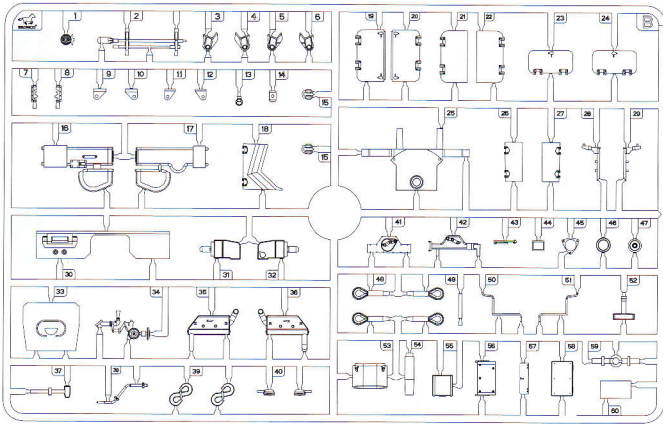
铜丝



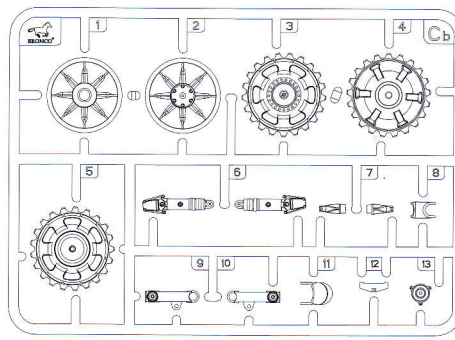
Ⓐ × 1



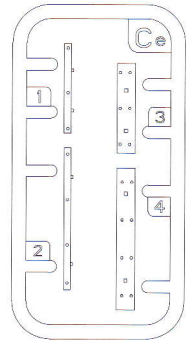
Ⓑ × 1



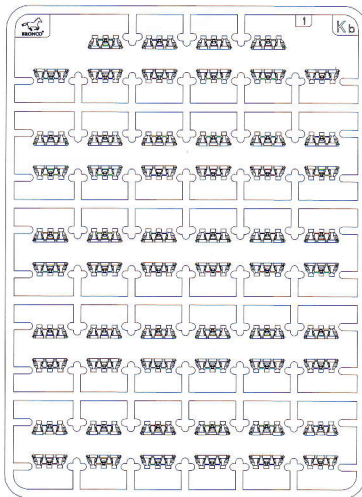
Ⓒb × 2



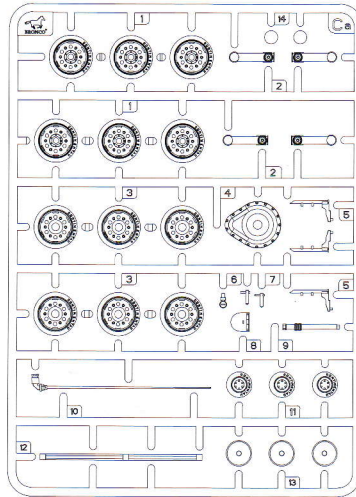
Ⓒe × 1



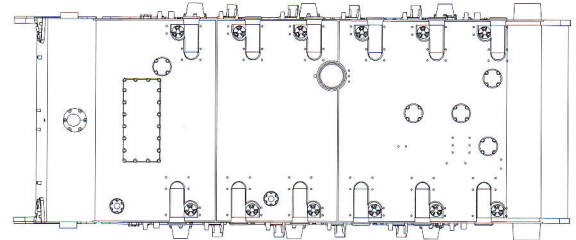
Ⓘb × 4



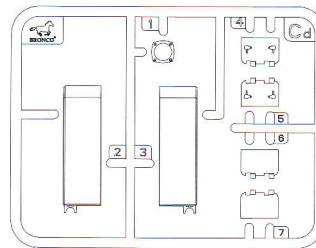
Ⓒa × 2



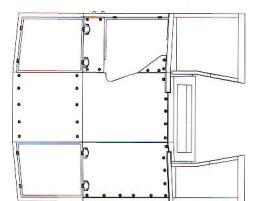
Ⓘ × 1



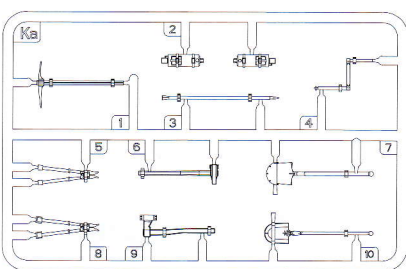
Ⓒd × 1



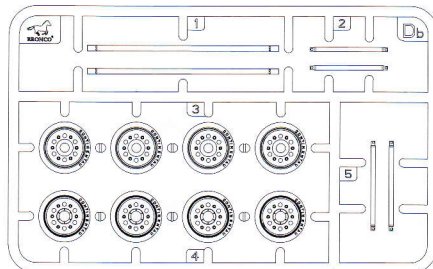
Ⓘ × 1



Ⓘa × 1



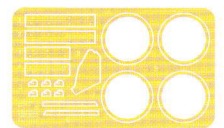
Ⓒb × 1



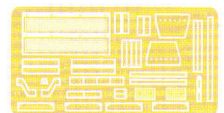
DECAL × 1



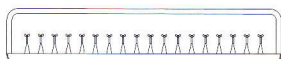
ⒾA × 1



ⒾB × 1



Ⓘ × 1



Ⓘ × 1

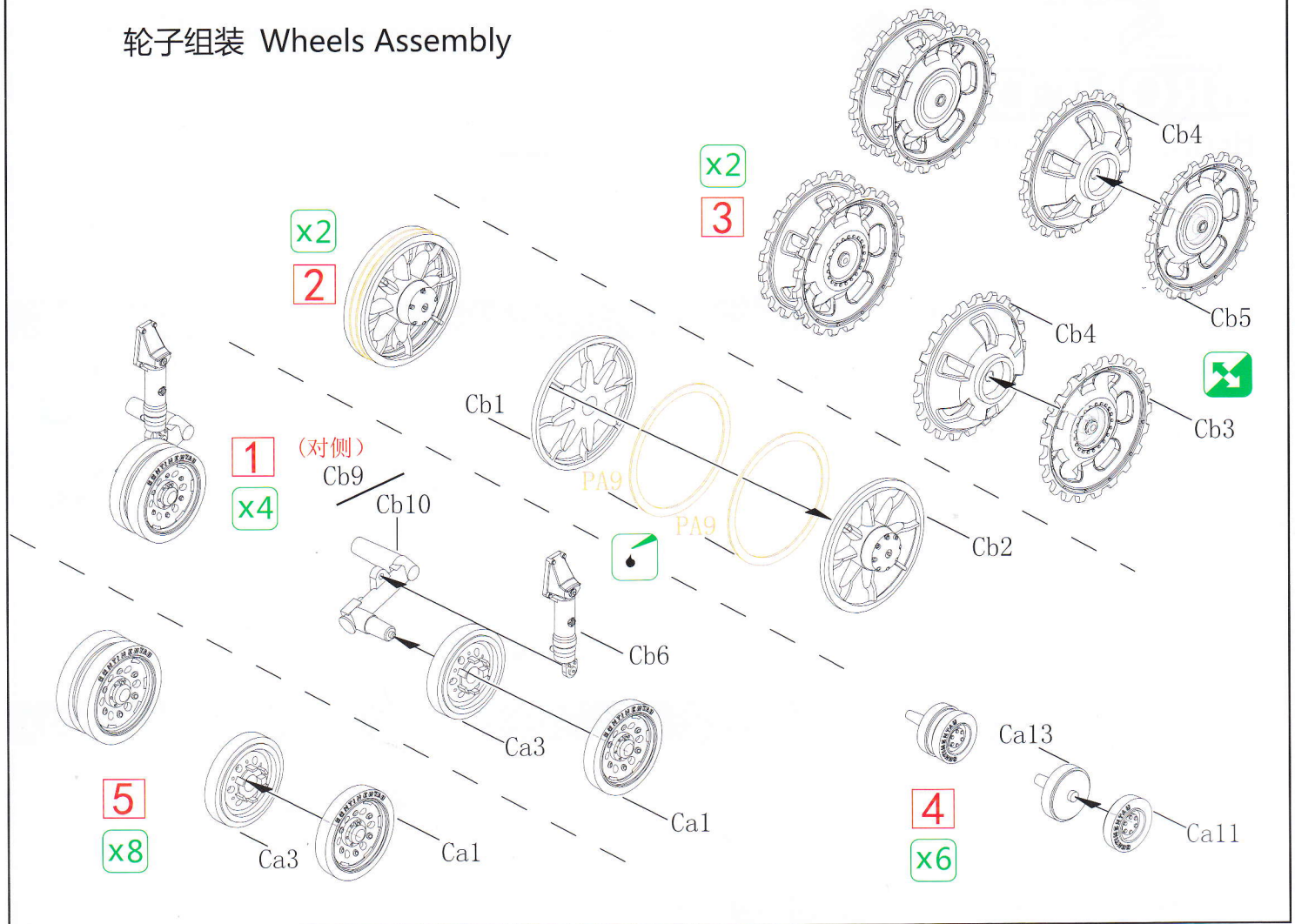


CB35119

1

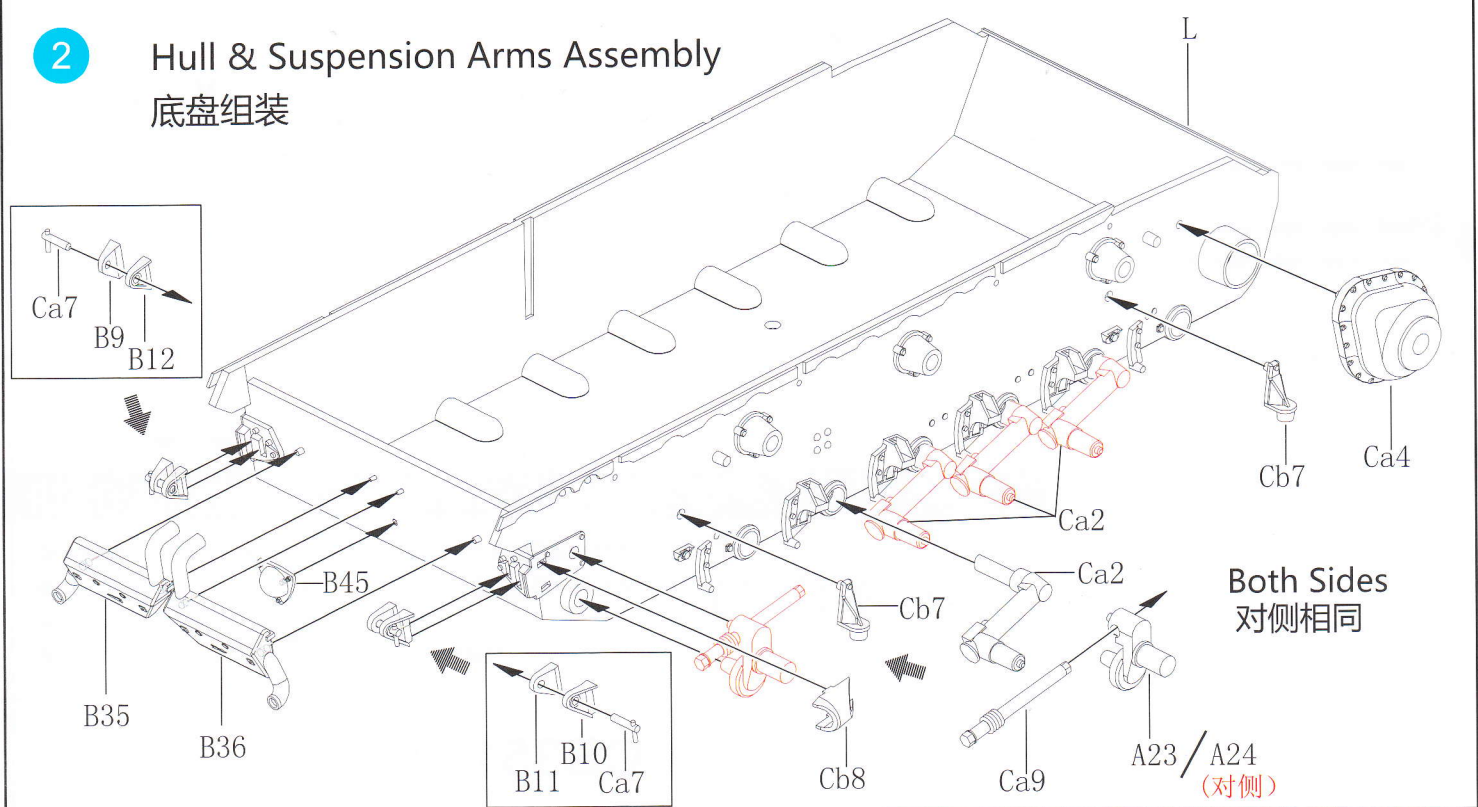
Caution:
This kit contains a lot of small accurate parts, please carefully to read before to assembly.
此套件包含不少精细零件，请在制作前先翻阅说明书了解清楚。

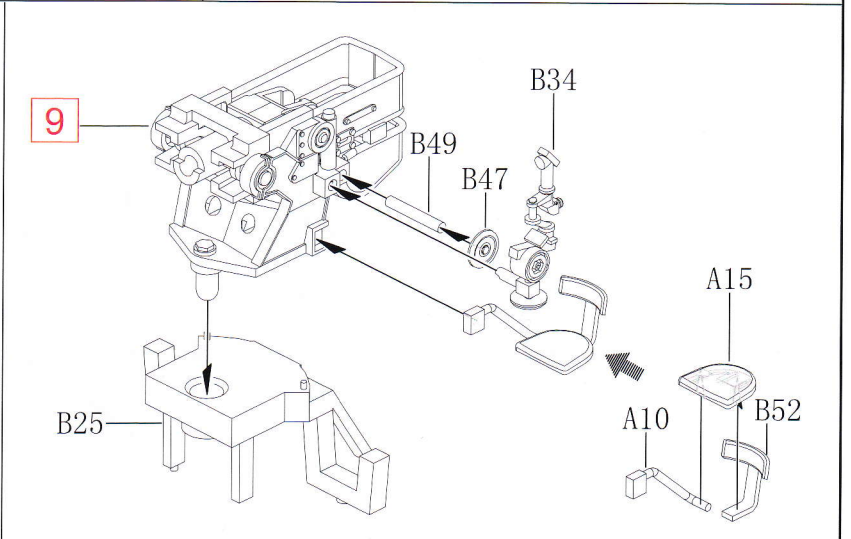
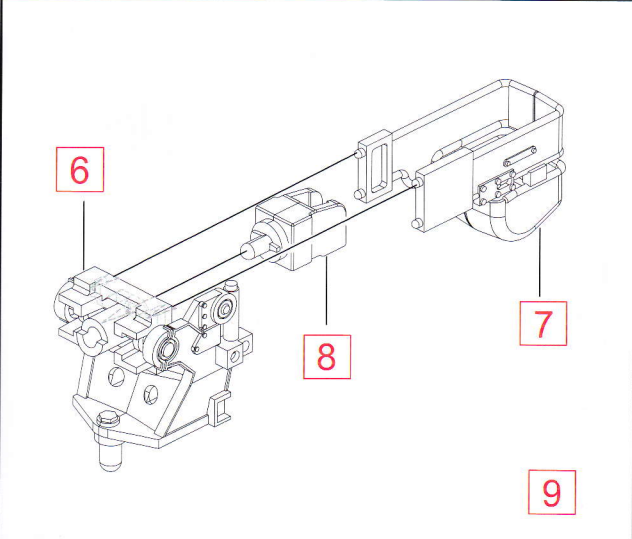
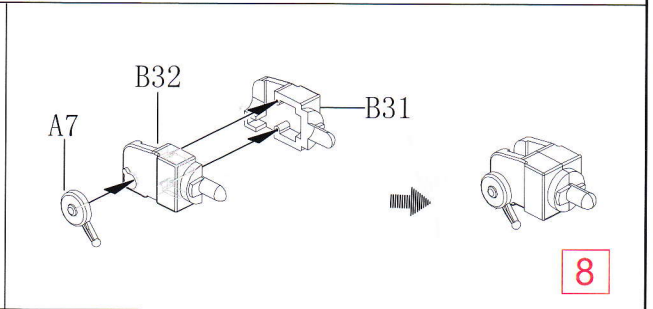
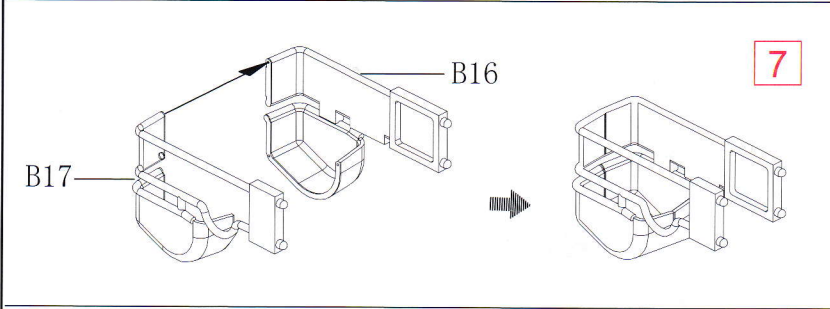
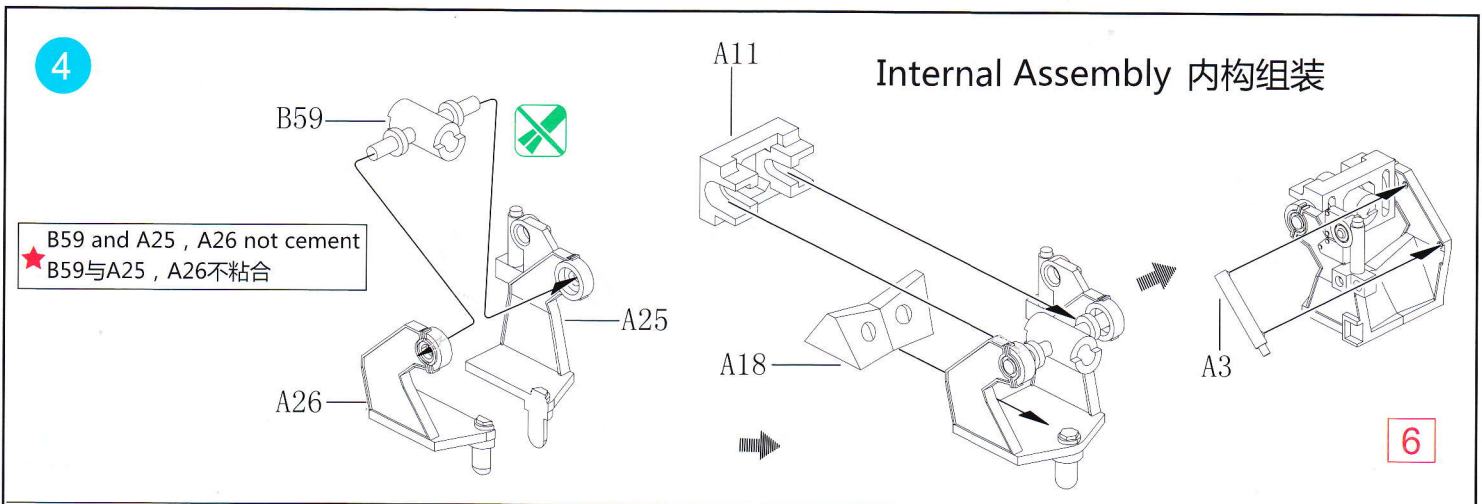
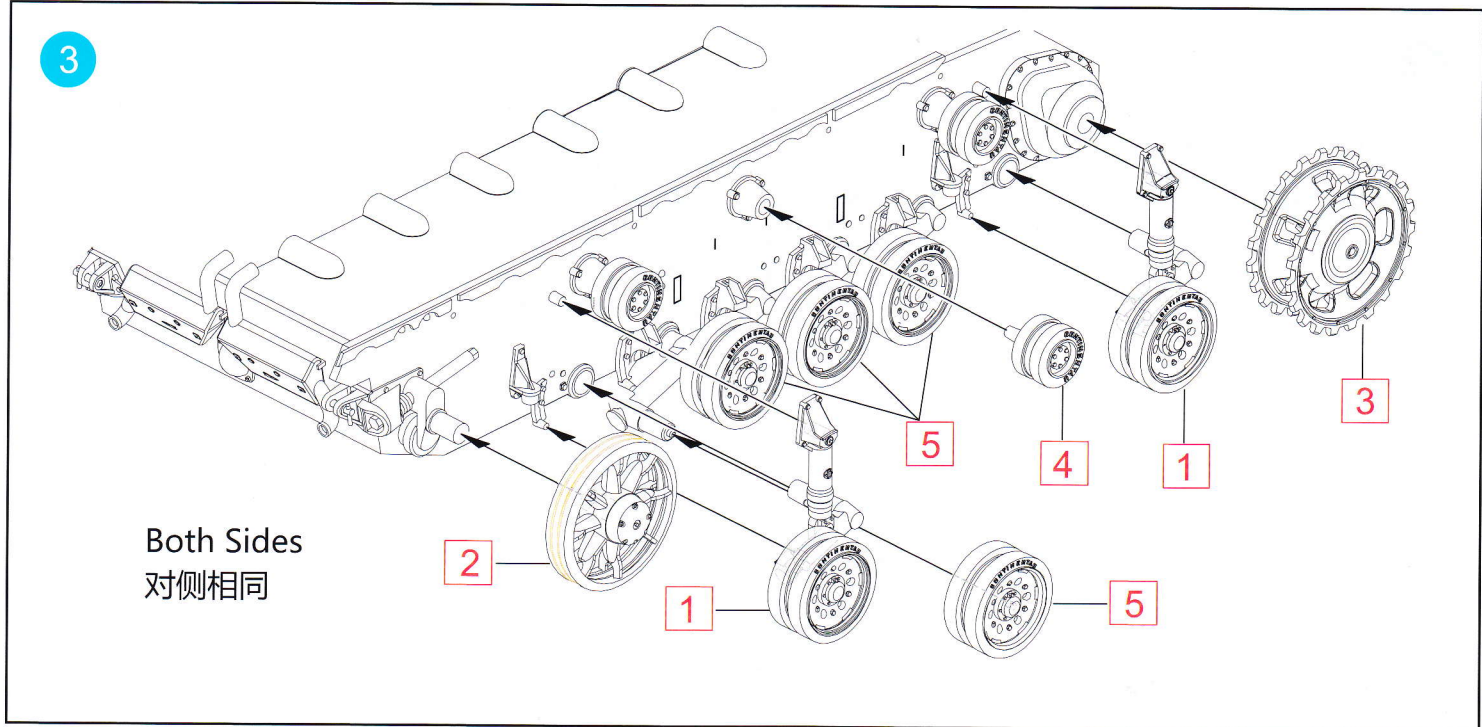
轮子组装 Wheels Assembly



2

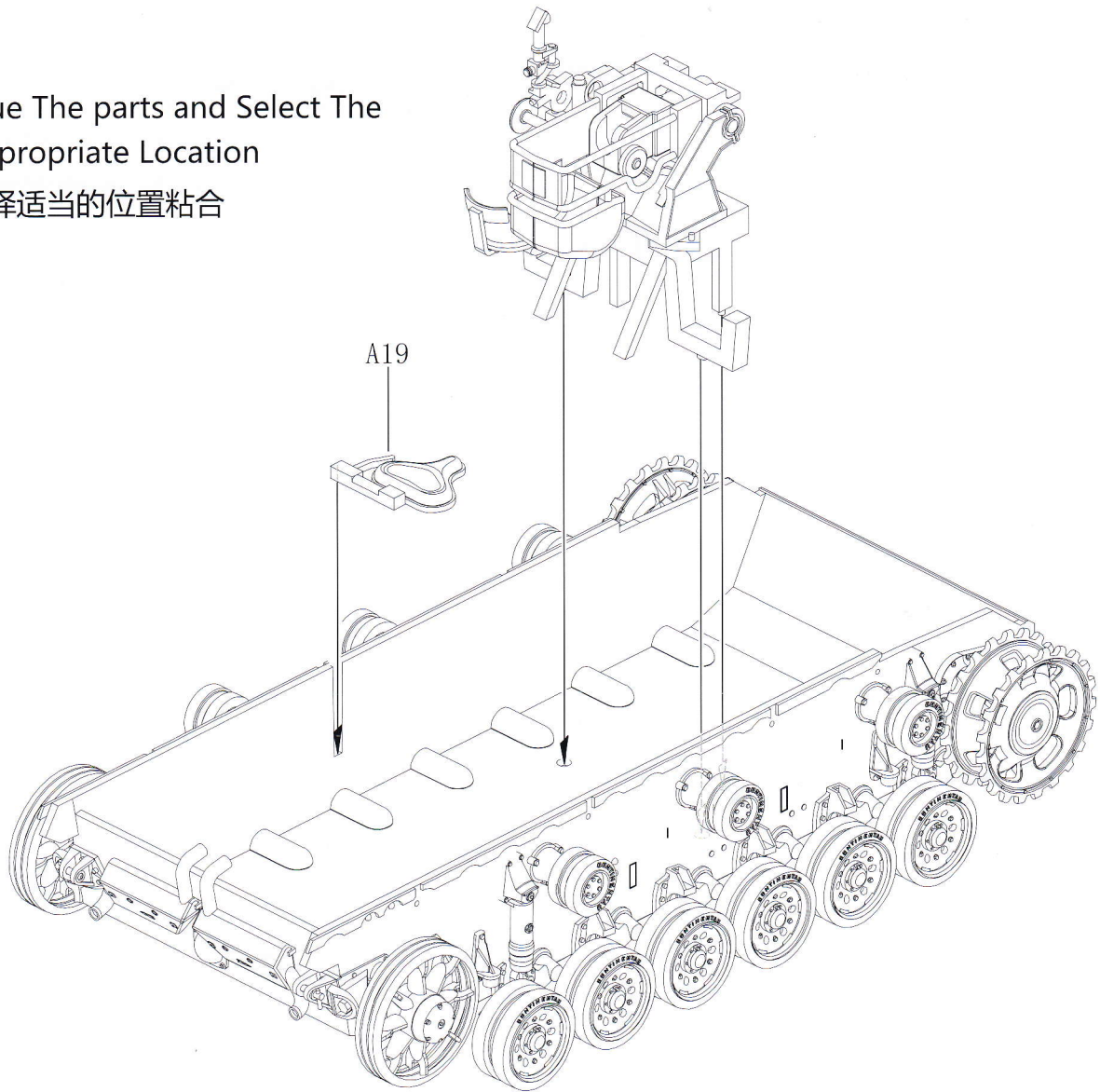
Hull & Suspension Arms Assembly
底盘组装





5

Glue The parts and Select The
Appropriate Location
选择适当的位置粘合



6

Upper Hull Installation
Assembly
车身组装

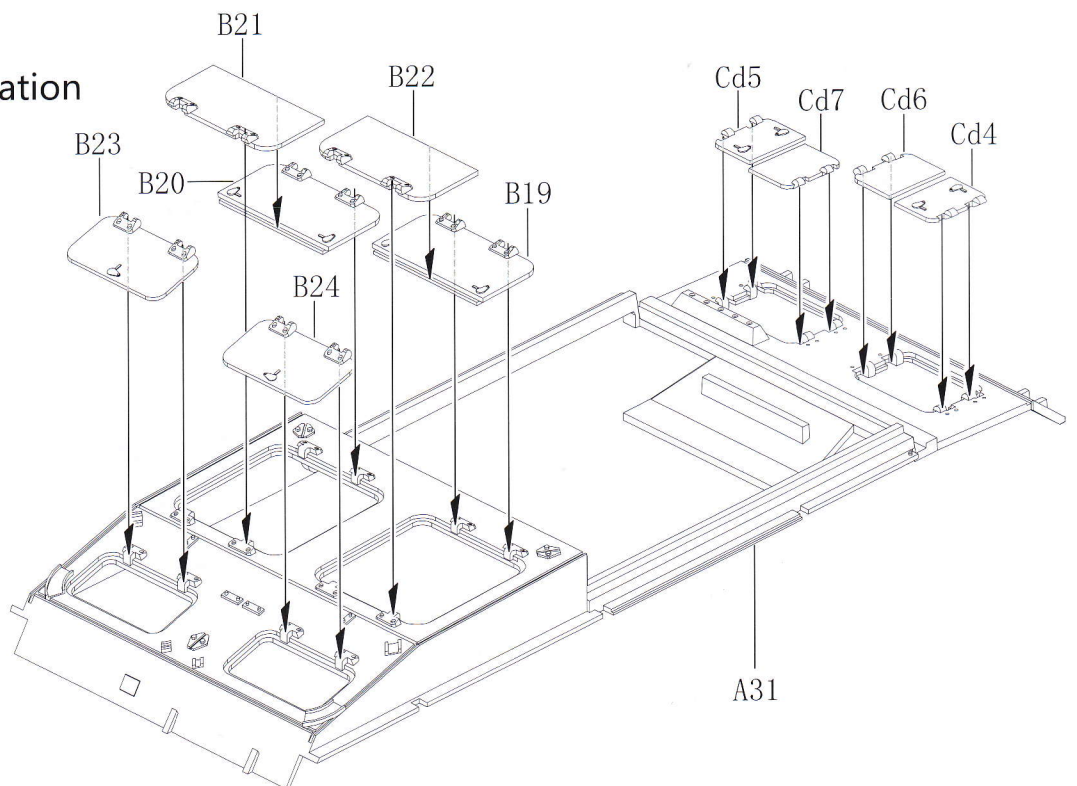
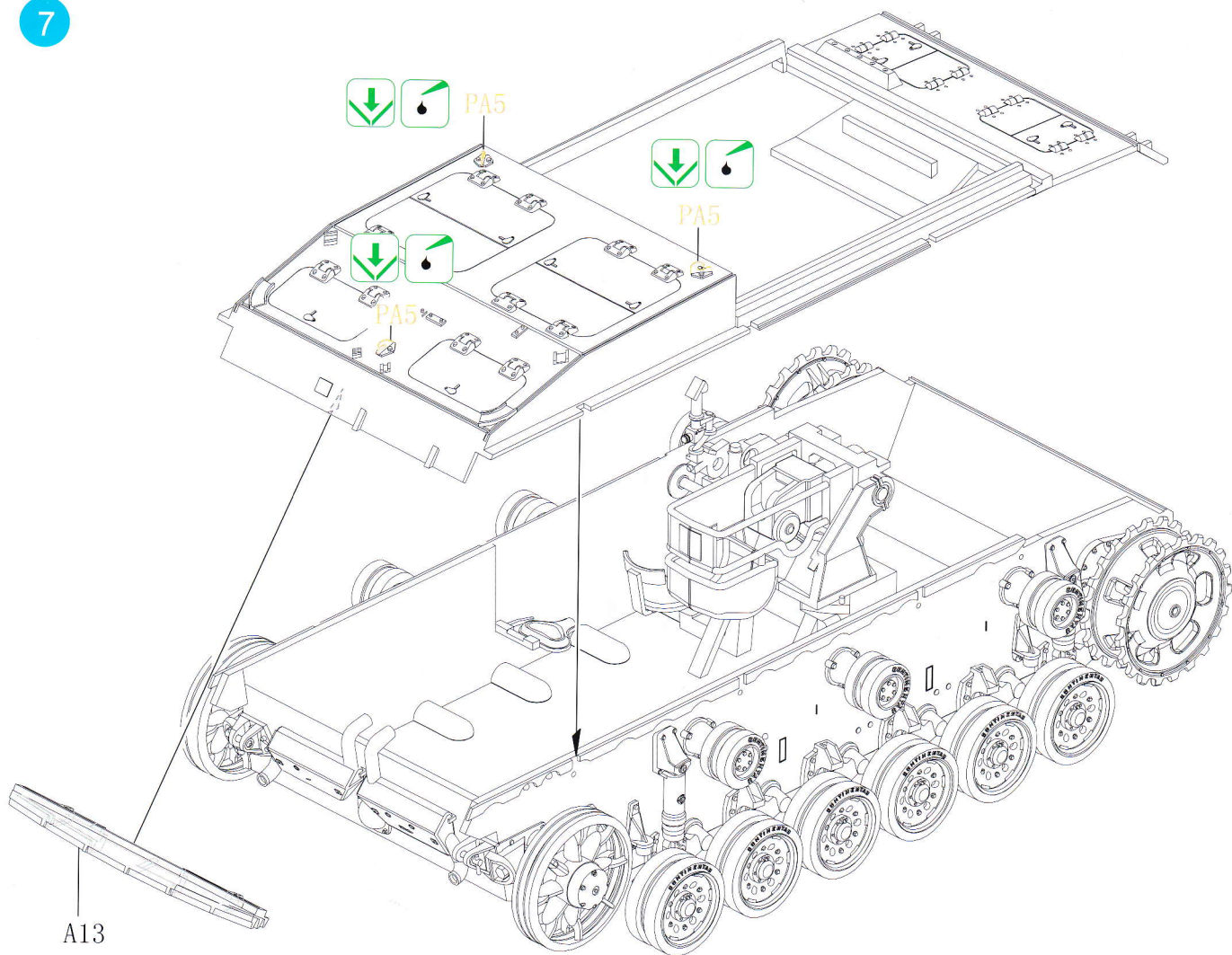
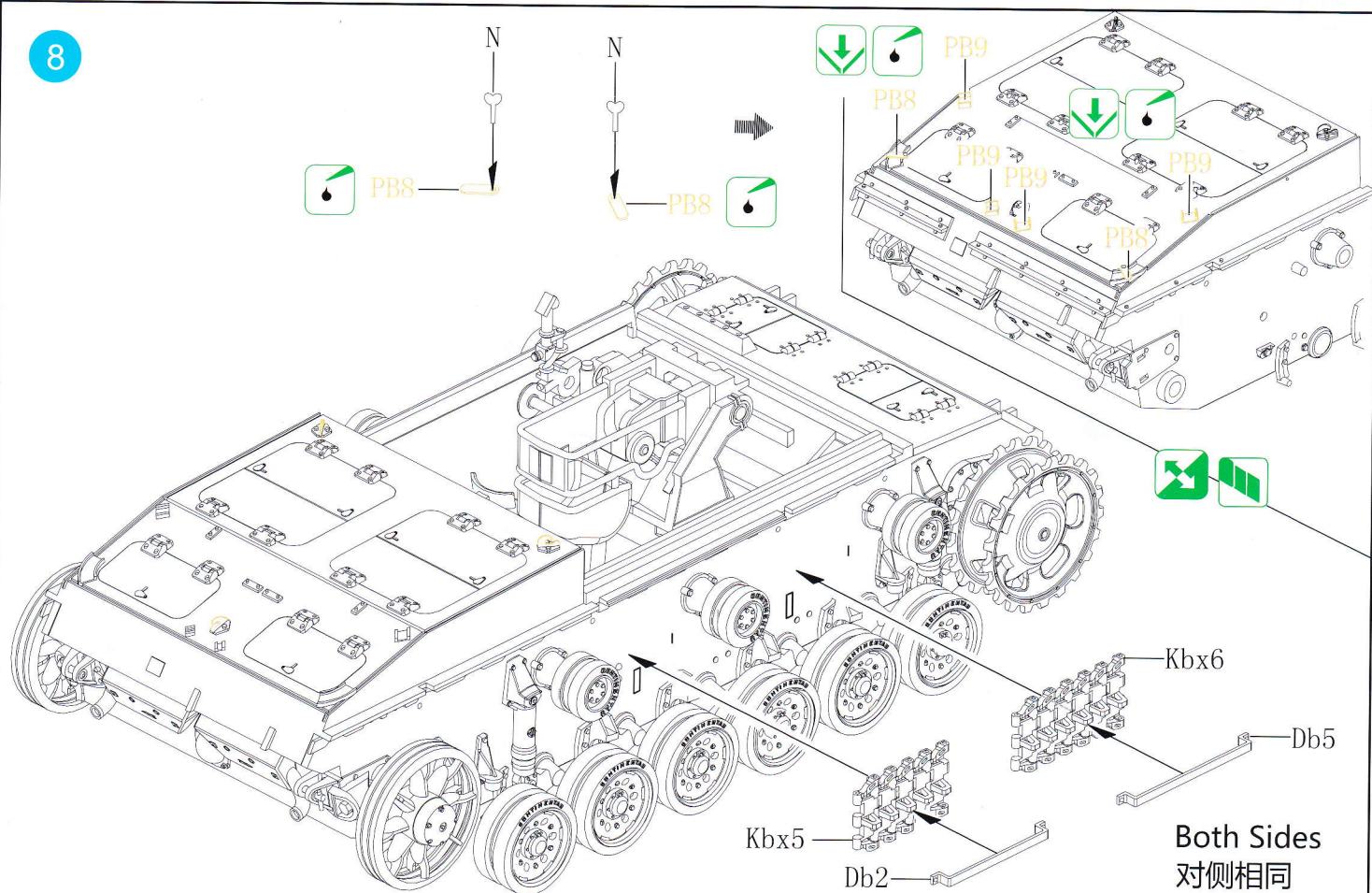


ILLUSTRATION 图示说明：

7

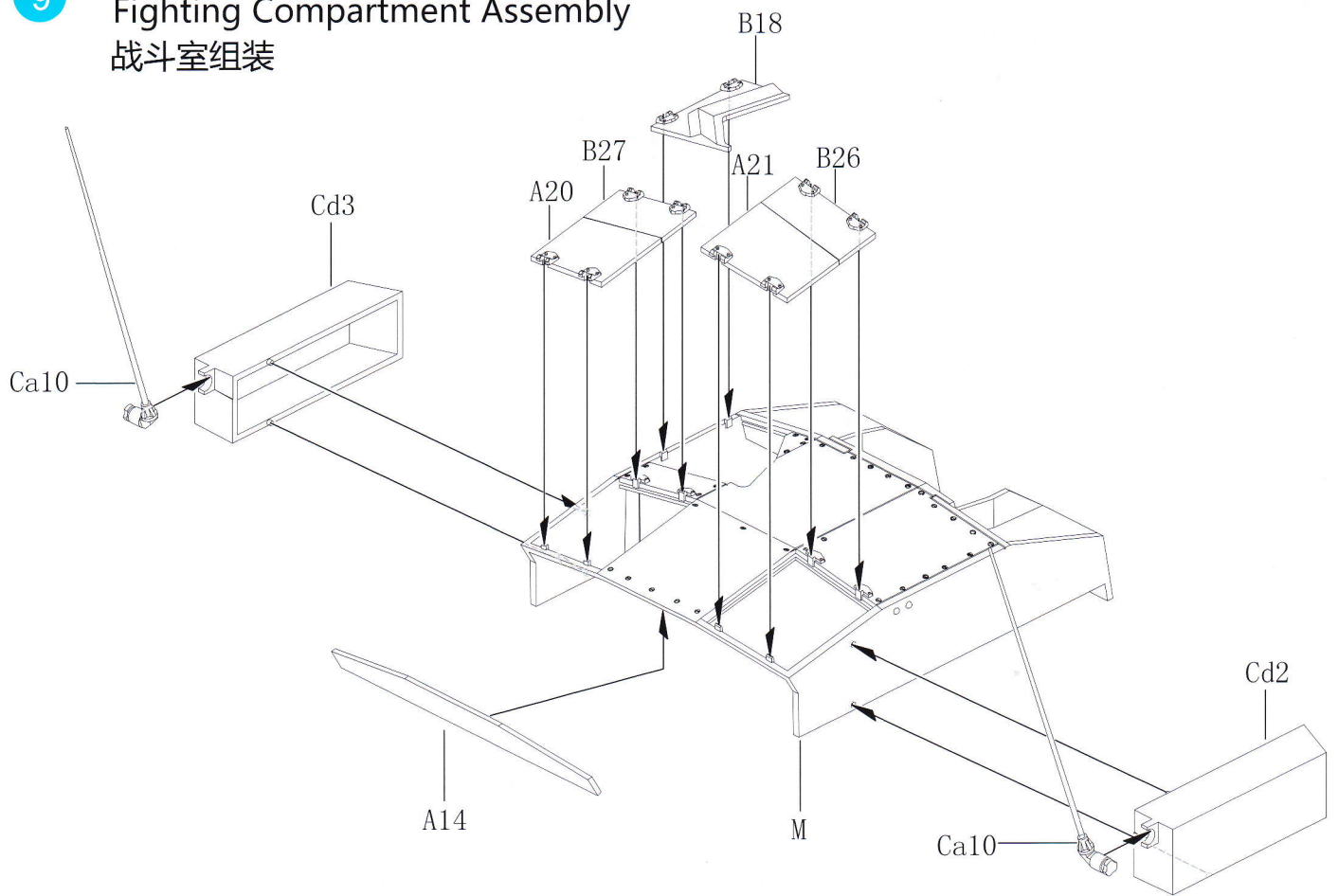


8

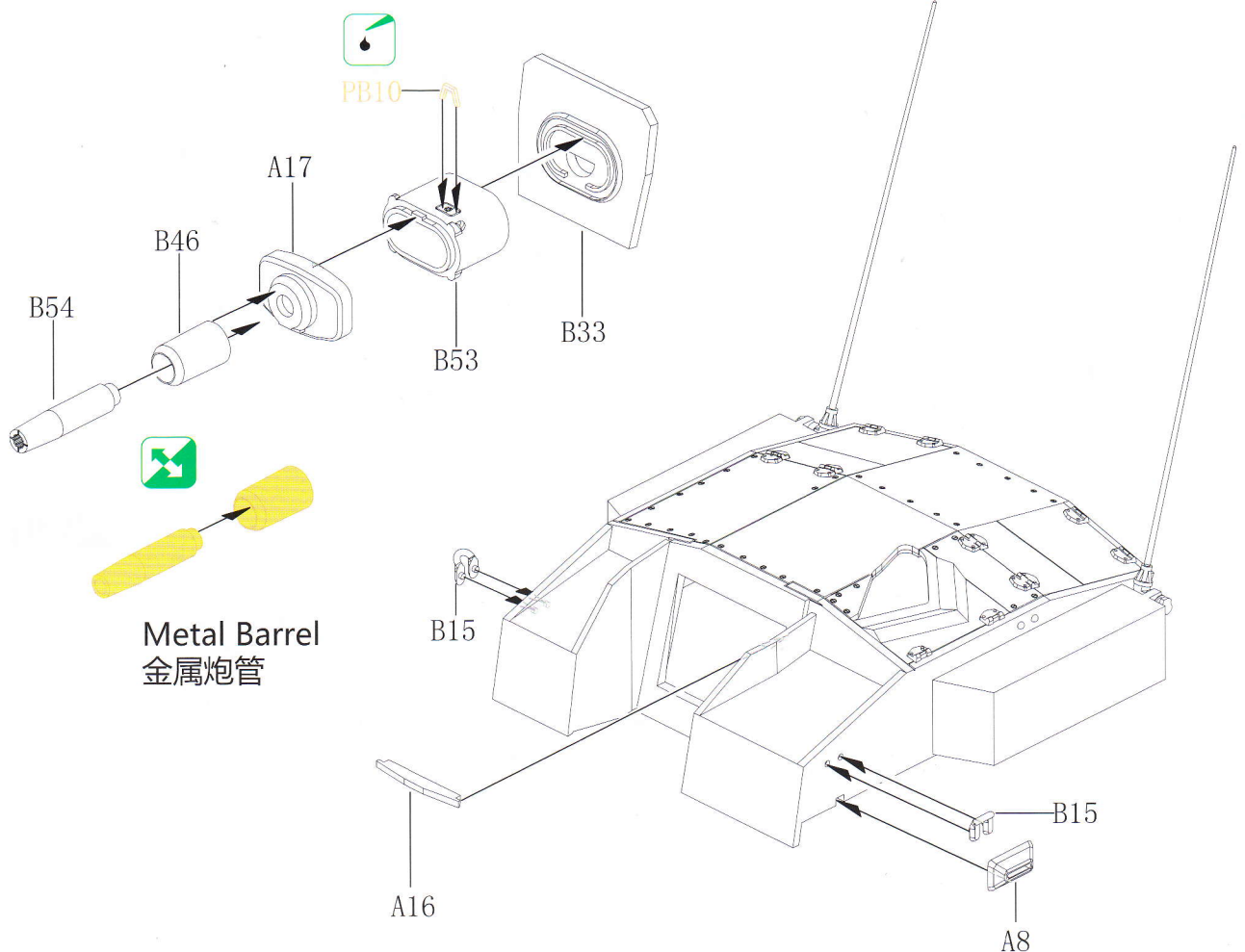


9

Fighting Compartment Assembly
战斗室组装

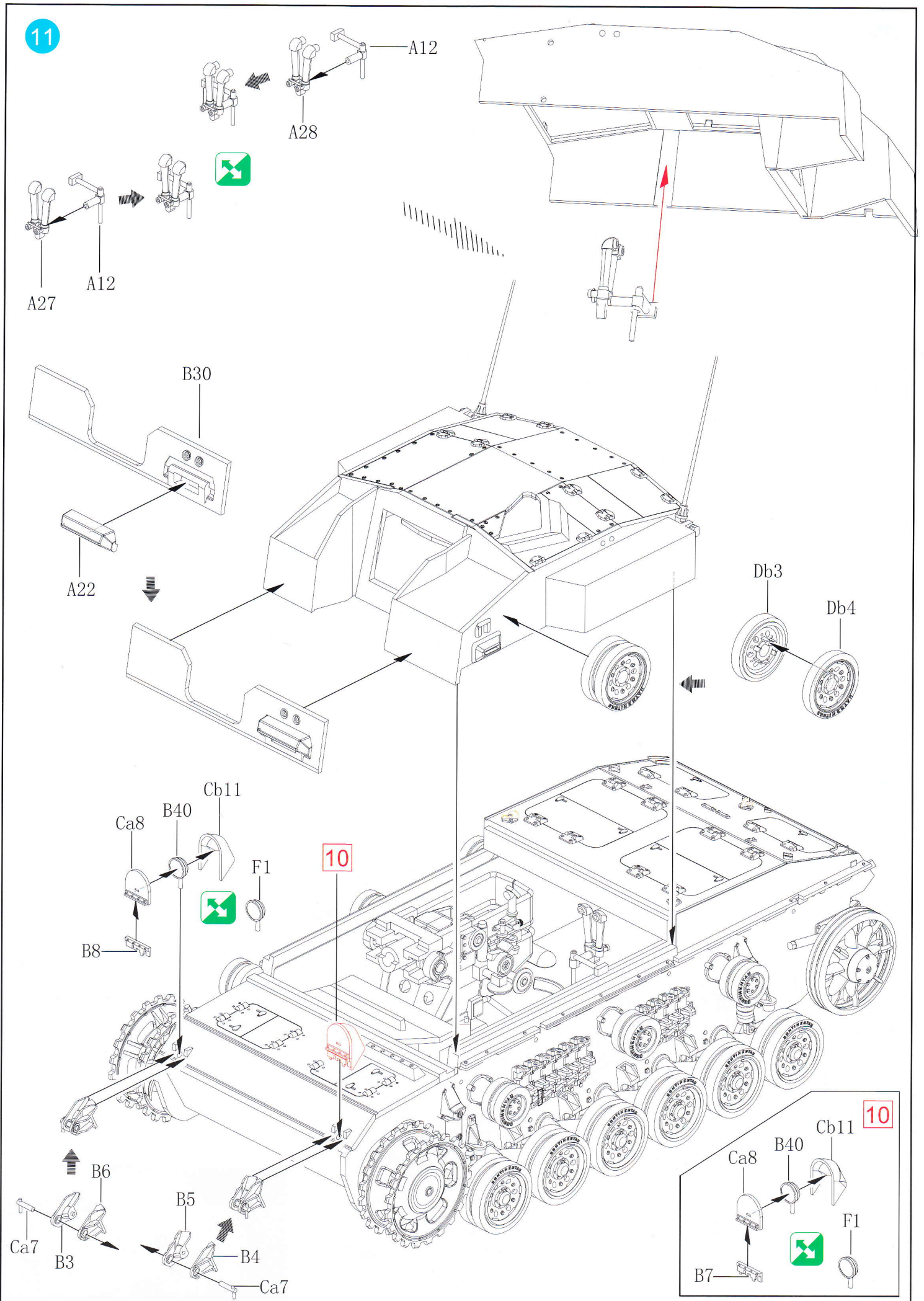


10

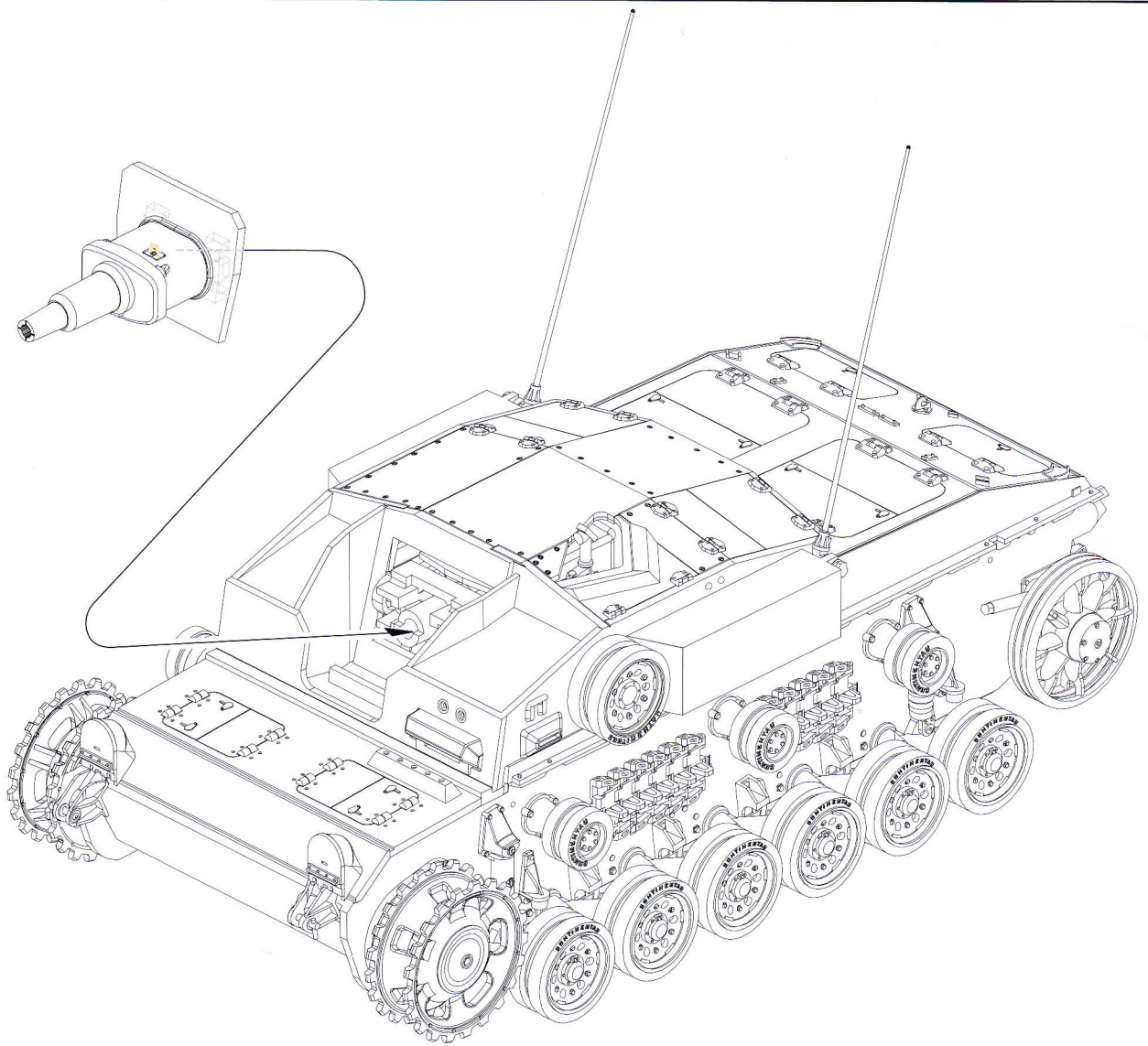


Metal Barrel
金属炮管

ILLUSTRATION 图示说明：



12



13

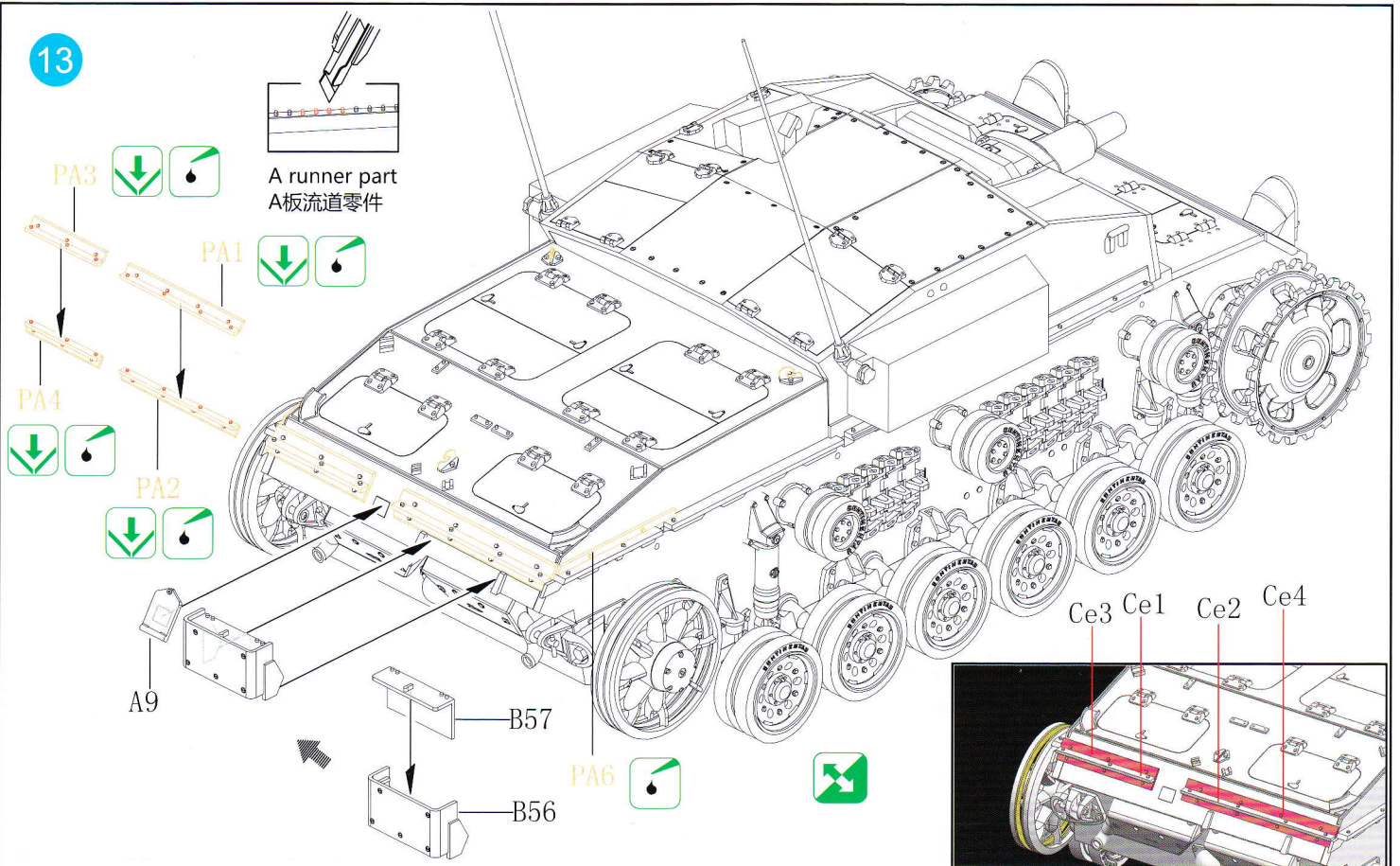
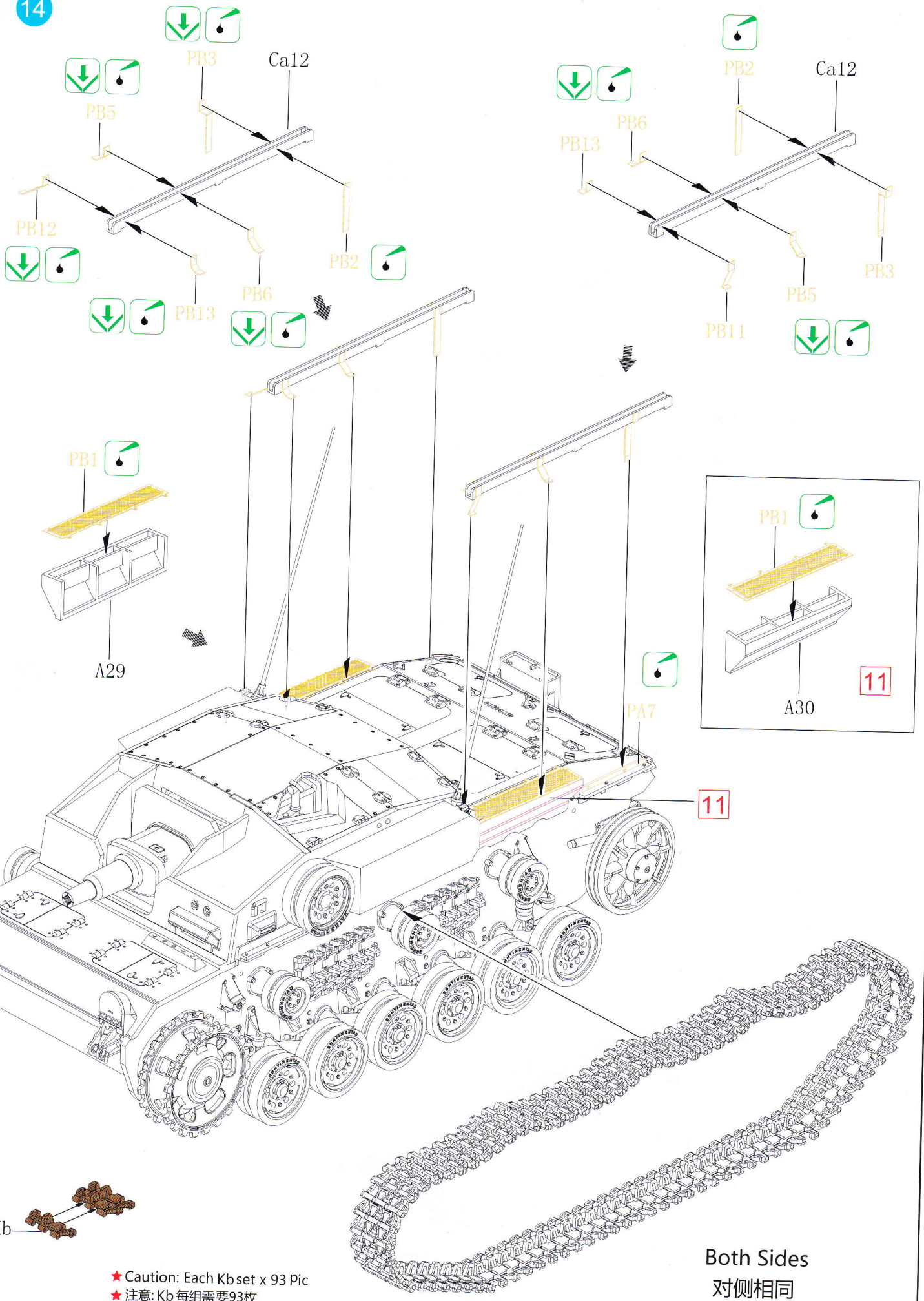


ILLUSTRATION 图示说明：

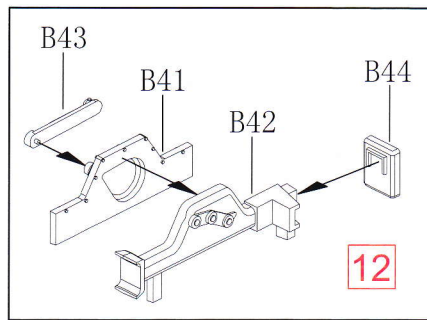
14



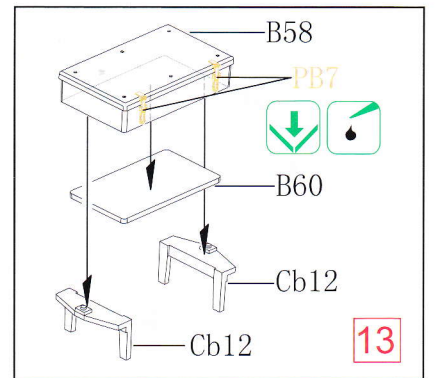
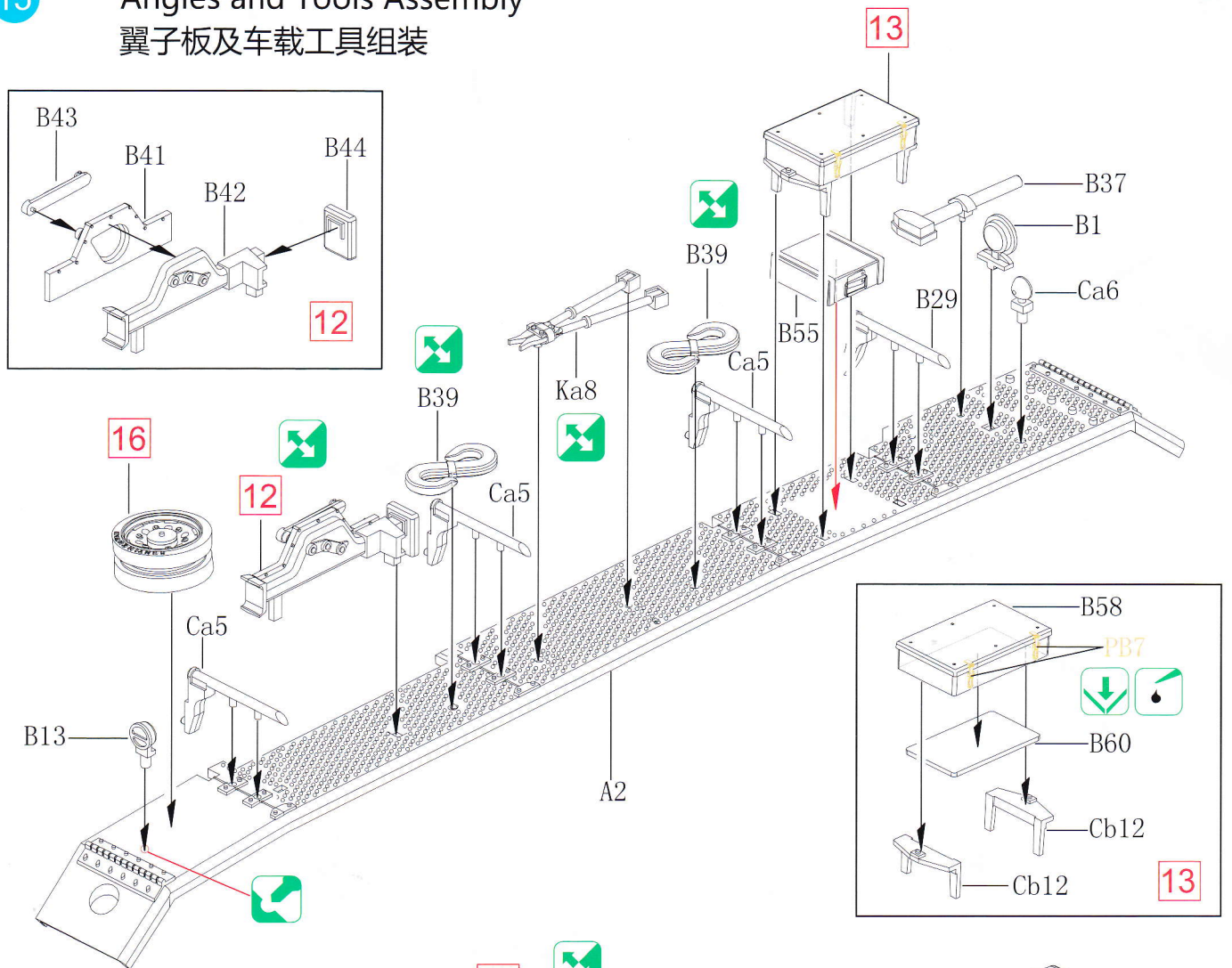
★ Caution: Each Kb set x 93 Pic
 ★ 注意: Kb 每组需要93枚

Both Sides
 对侧相同

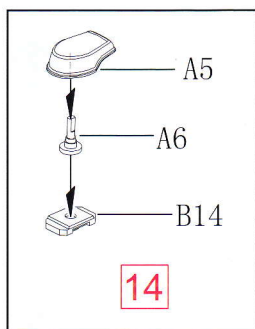
15 Angles and Tools Assembly
翼子板及车载工具组装



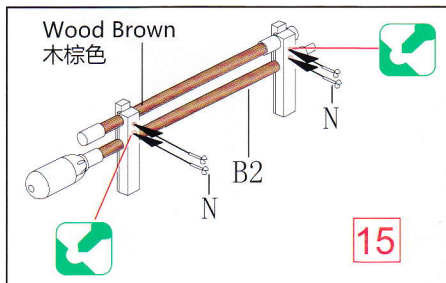
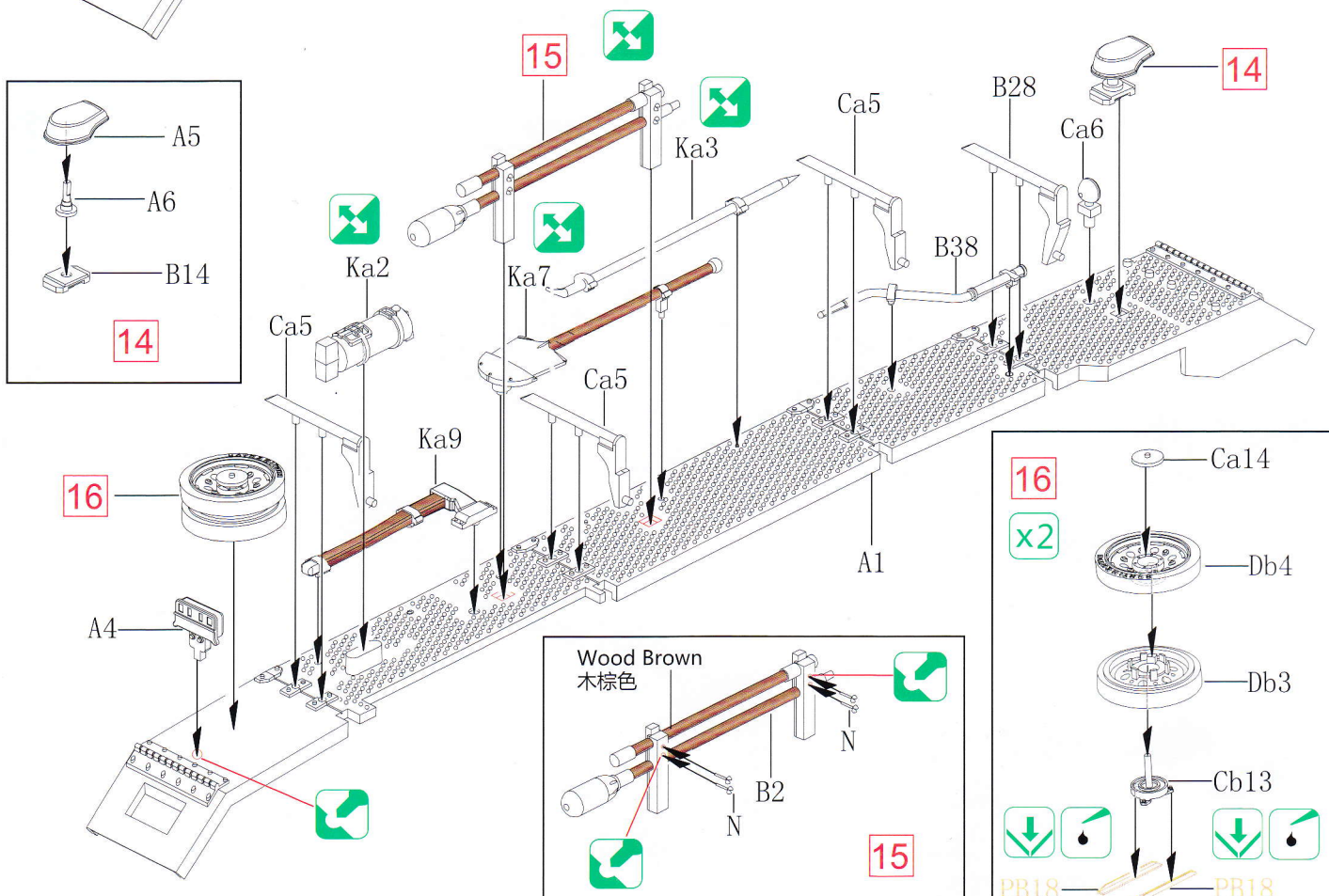
12



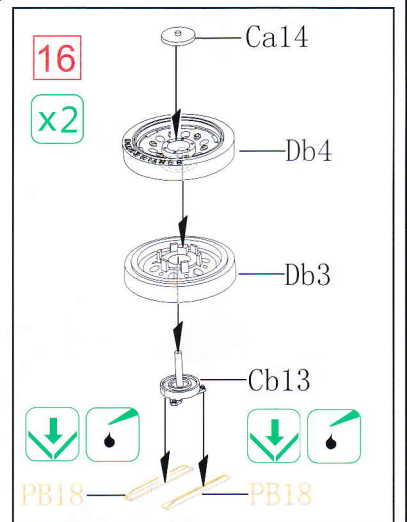
13



14

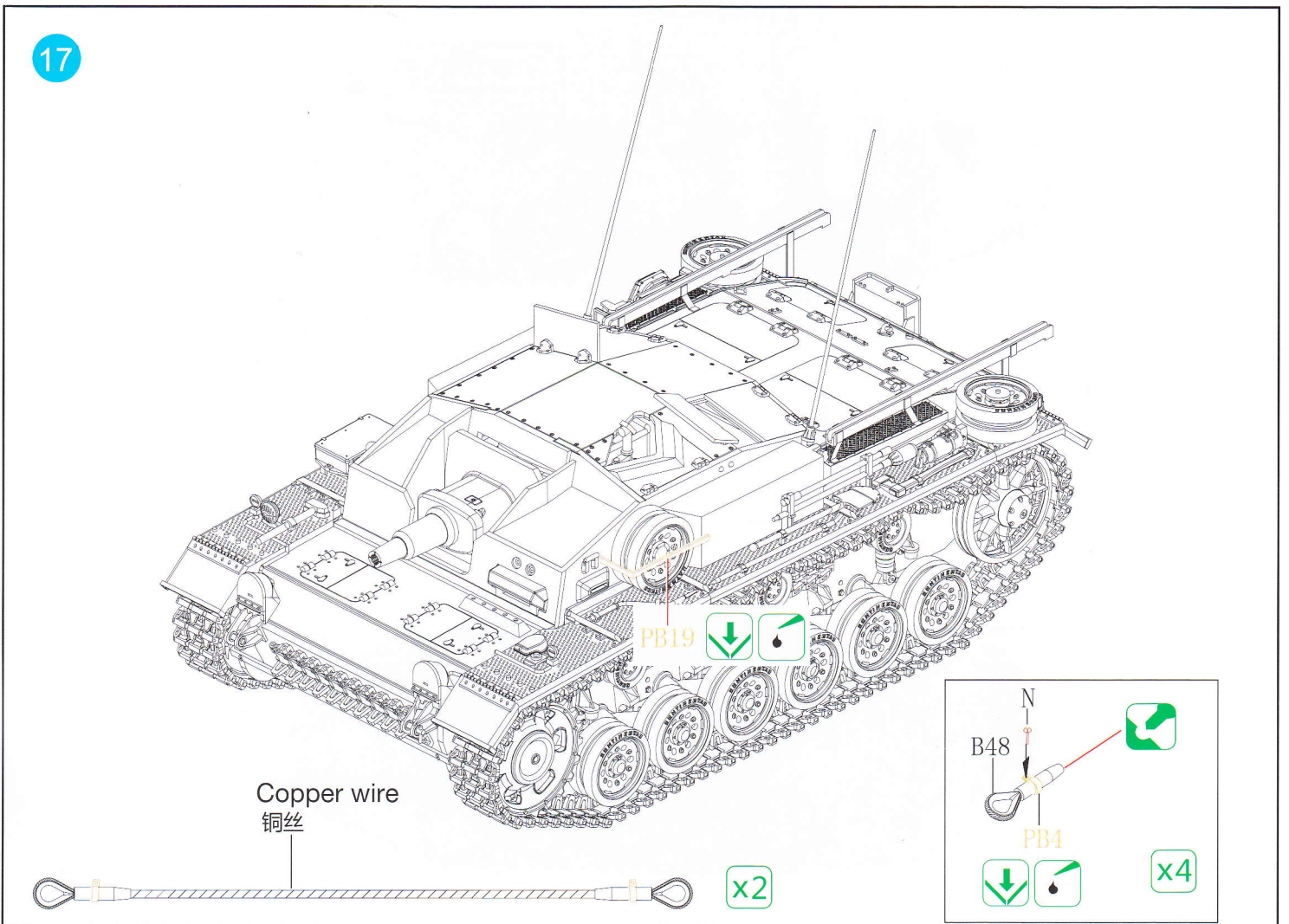
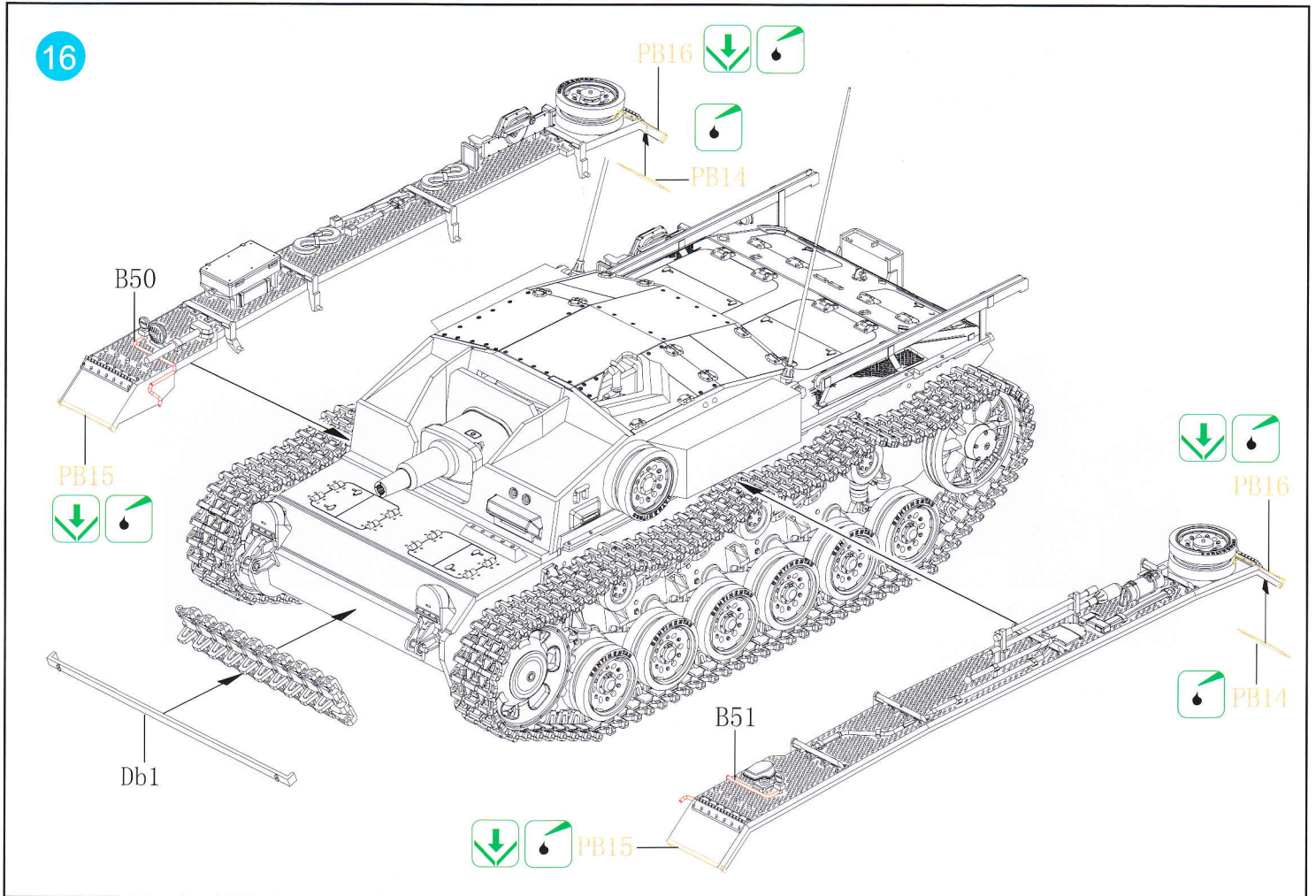


15



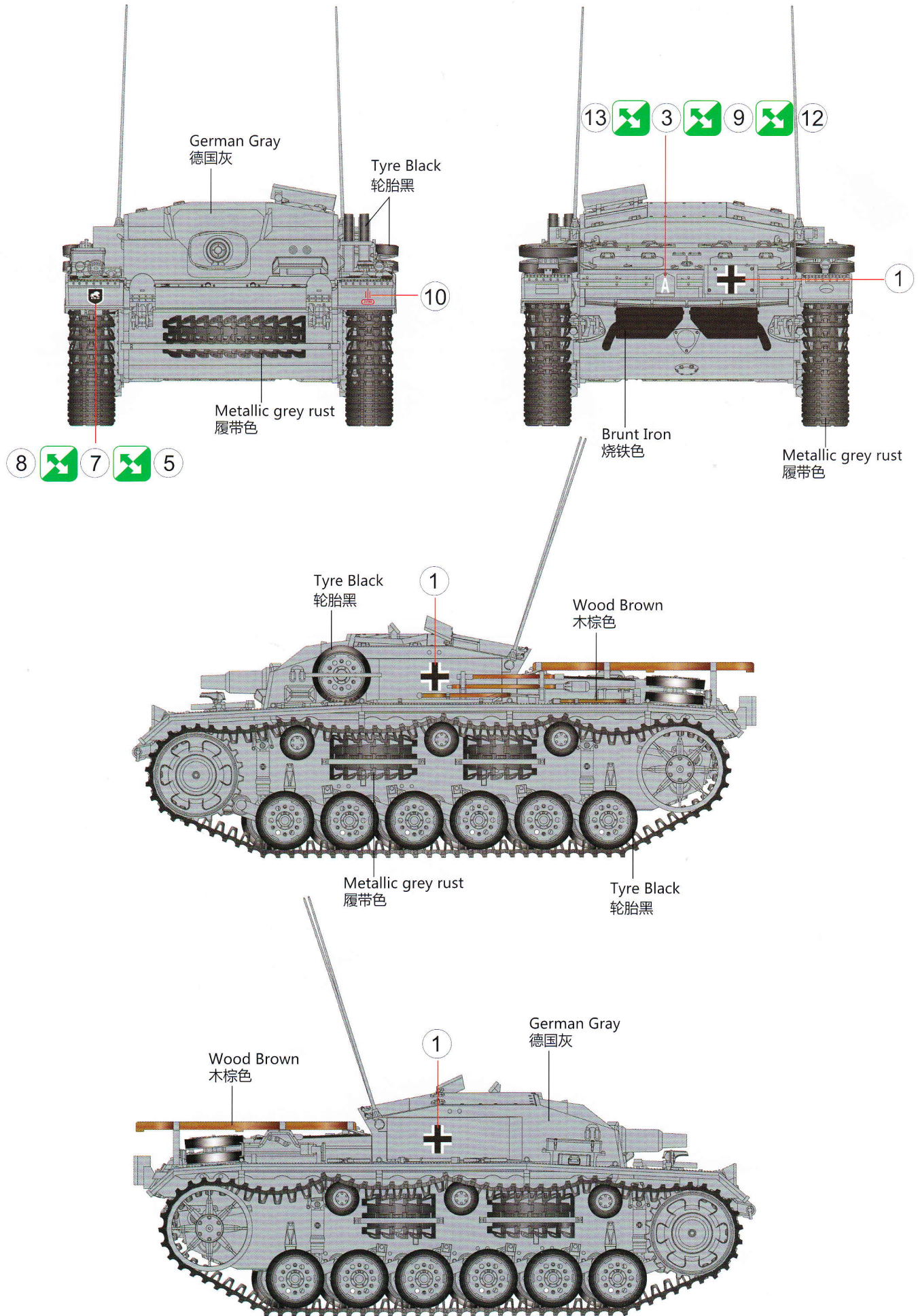
16

x2



DECAL&COLOUR GUIDE 水贴及涂色指示：

Option1: StuG.Abt.190.east front.Russia.1941/1942
 德国第190突击炮营苏联东线战场1941年/1942年



DECAL&COLOUR GUIDE 水贴及涂色指示：

Option2: StuG.Abt.Grossdeutschland.east front.Russia.1941/1942

德国国防军大德意志师所属突击炮旅苏联东线战场1941年/1942年

