

MIG-21 US/UM

MiG-21US/UM Sparka (NATO "Mongol") is a Soviet two-seat trainer, based on the single-seat fighter MiG-21F. The MiG-21US/UM was developed to improve the pilots' training cycle. The aircraft carries the same avionics and can use the same weapons as its single-seat equivalents.

MiG-21US/UM Sparka (NATO kod "Mongol") je sovjetski dvosedi trener baziran na lovcu jednosedu MiG-21F i razvijen je da unapredi trenajni ciklus pilota. Avion poseduje istu avioniku kao jednosedi ekvivalenti, tako da je sposoban da nosi i isto naoružanje.

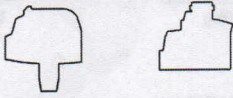
Assembly Instructions
Uputstvo za sastavljanje
LHM-002/003/004/005



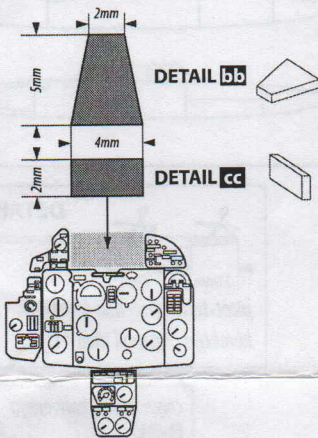
LIMITED
1/72
EDITION

1 Make from 1mm-thick styrene sheet Napraviti od table polistirena debljine 1mm

control panels 1:1 templates / šabloni instrument tabli u 1:1



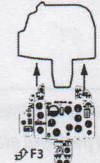
head up display / nišanska sprava



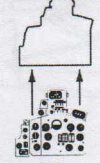
2 Cockpit Decal Placement Raspored nalepnica u kabini

DETAIL dd

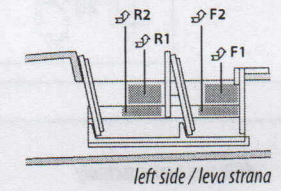
DETAIL ee



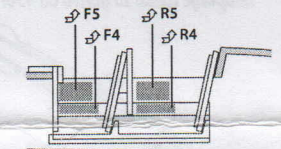
front / napred



rear / pozadi

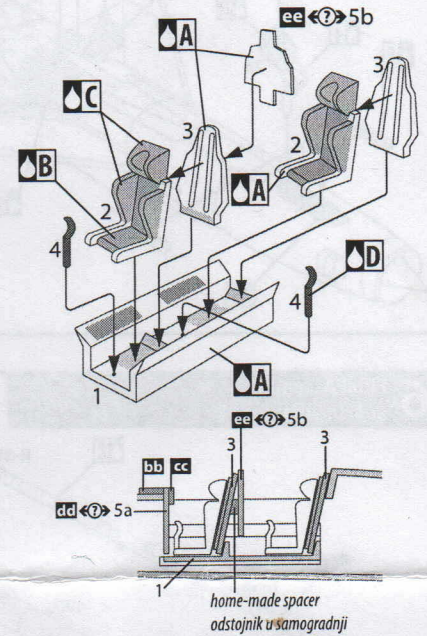


left side / leva strana



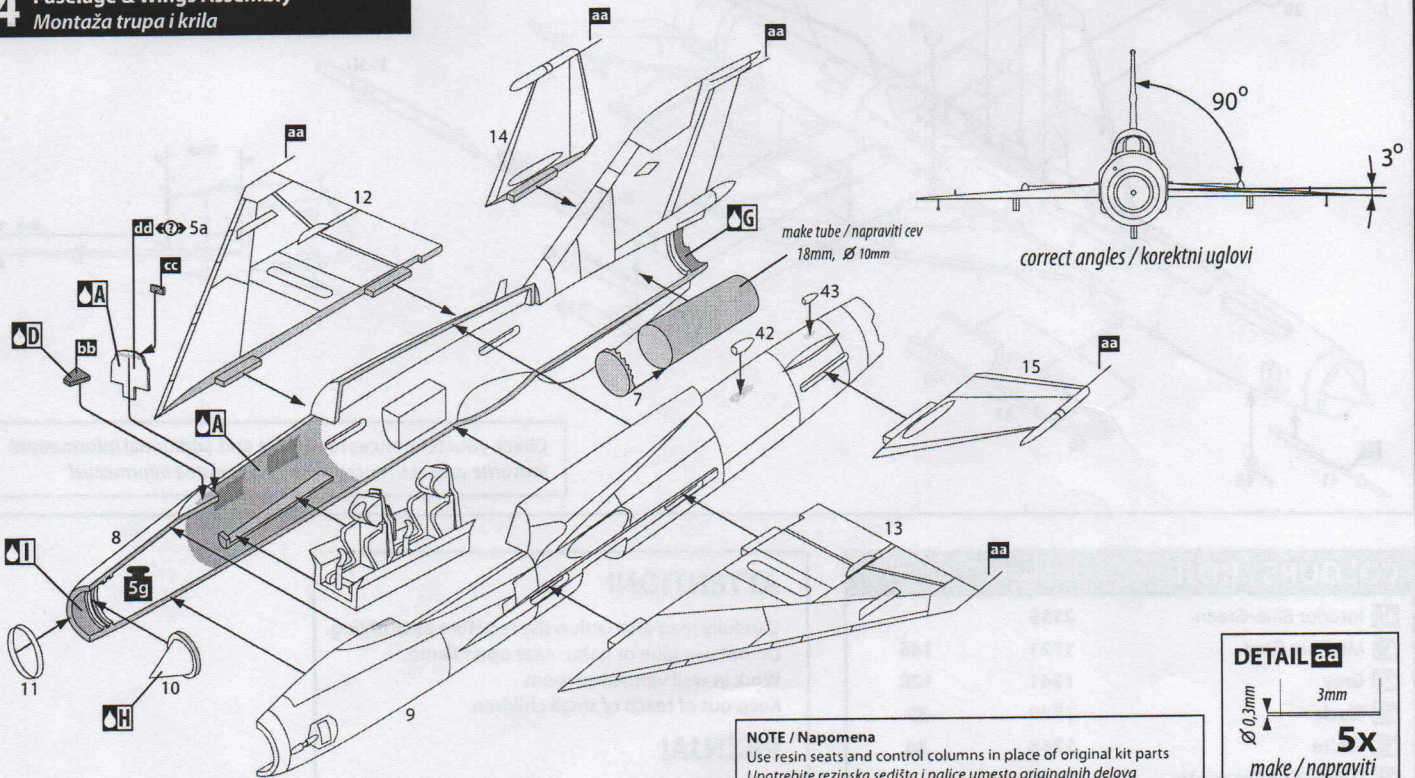
right side / desna strana

3 Cockpit Assembly Montaža kabine



home-made spacer
odstojnik u samogradnji

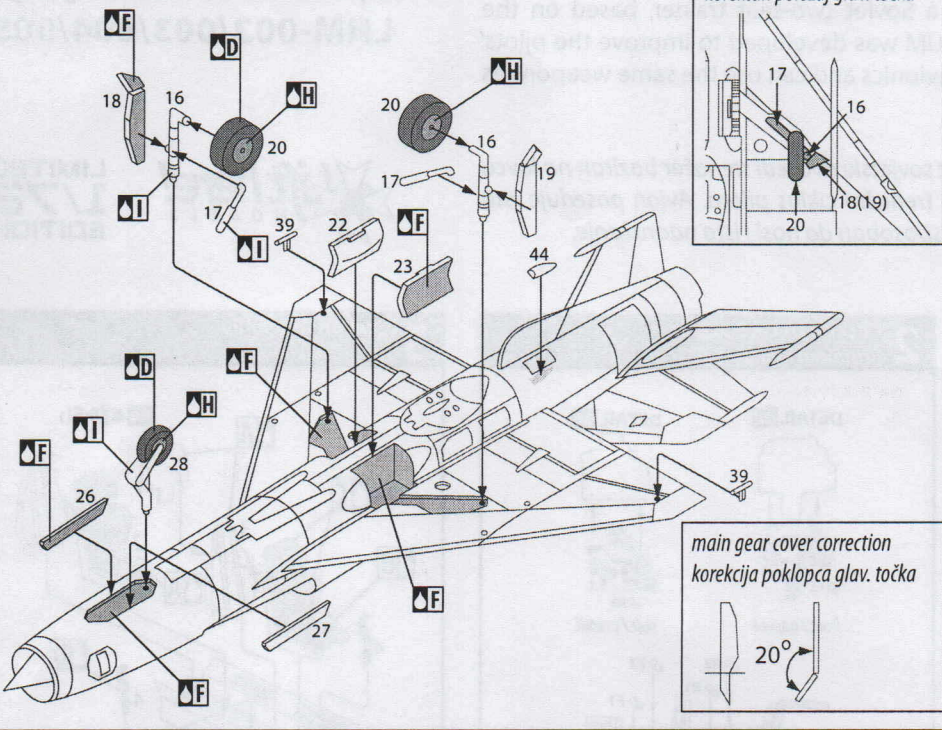
4 Fuselage & Wings Assembly Montaža trupa i krila



NOTE / Napomena
Use resin seats and control columns in place of original kit parts
Upotrebite rezinska sedišta i palice umesto originalnih delova

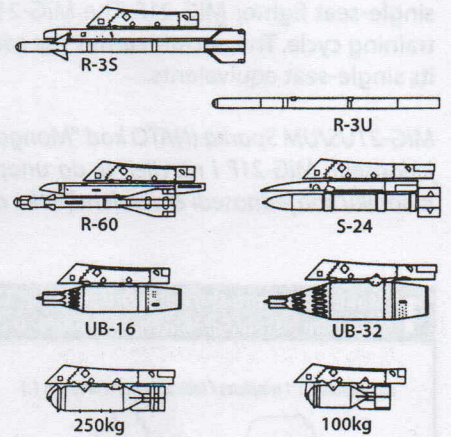
DETAIL aa
3mm
3mm
5x
make / napraviti

5 Undercarriage Assembly Montaža stajnog trapa

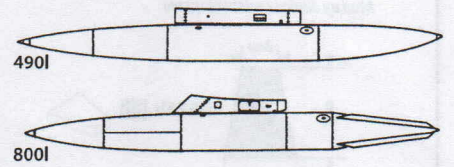


MiG-21US/UM Usual Armament MiG-21 US/UM - uobičajeno naružanje

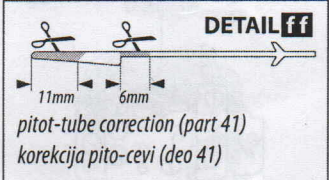
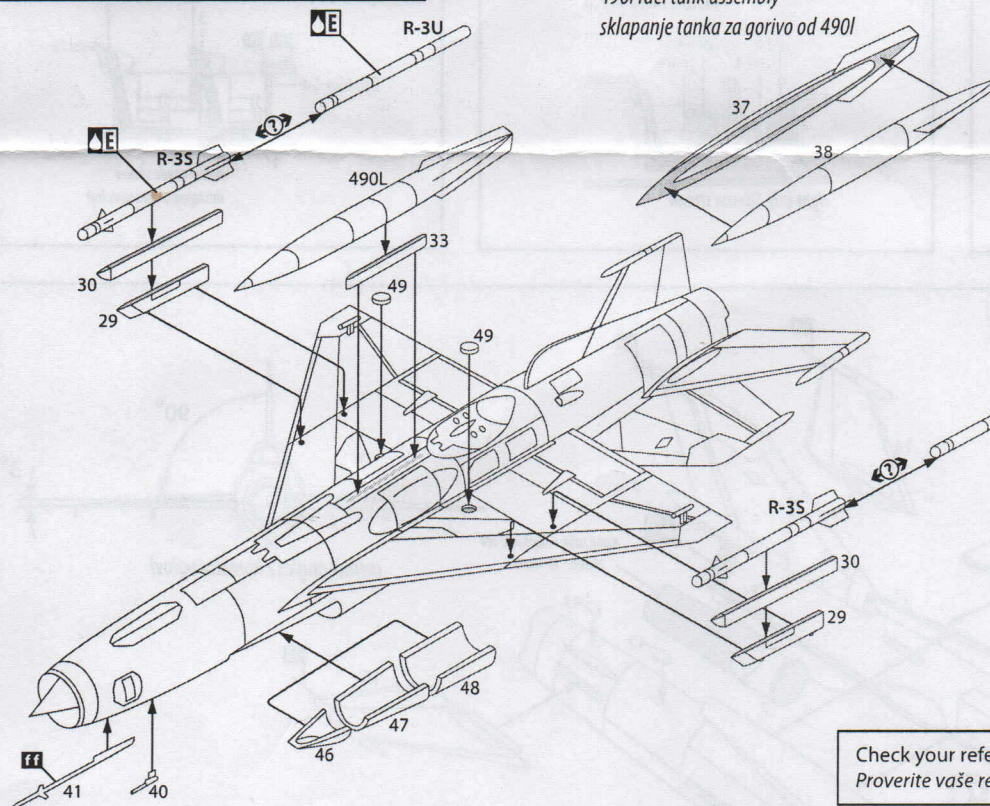
underwing / potkrilno



underbelly / podtrupno



6 Final Assembly Završna montaža



Check your references for details and additional information!
Proverite vaše reference za detalje i dodatne informacije!

COLOURS / BOJE

	Model Master	Humbrol
A Interior Blue-Green	2135	
B Medium Grey	1721	145
C Grey	1741	128
D Black	1749	33
E White	1768	34
F Green Zinc Chromate	1734	
G Gun Metal	1795	53
H Green	1524	3
I Aluminium	1781	56

ATTENTION!

Carefully read instruction sheet before assembling.
Do not use glue or paint near open flame.
Work in well ventilated room.
Keep out of reach of small children.

PAŽNJA!

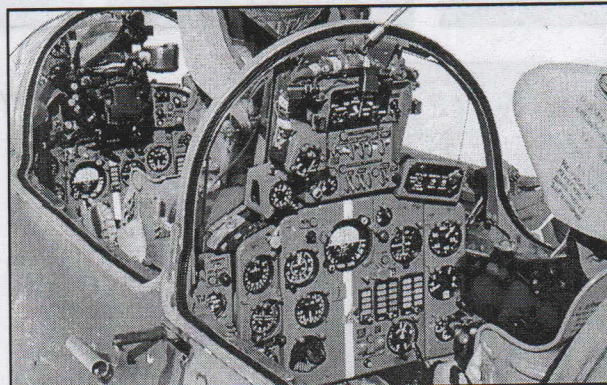
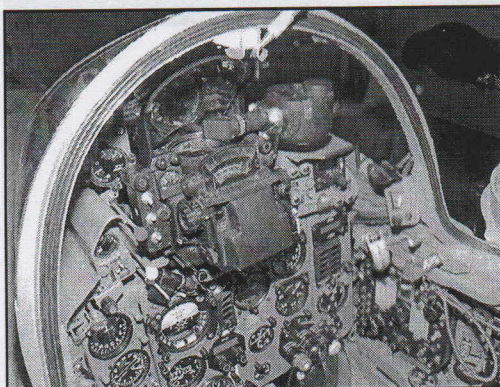
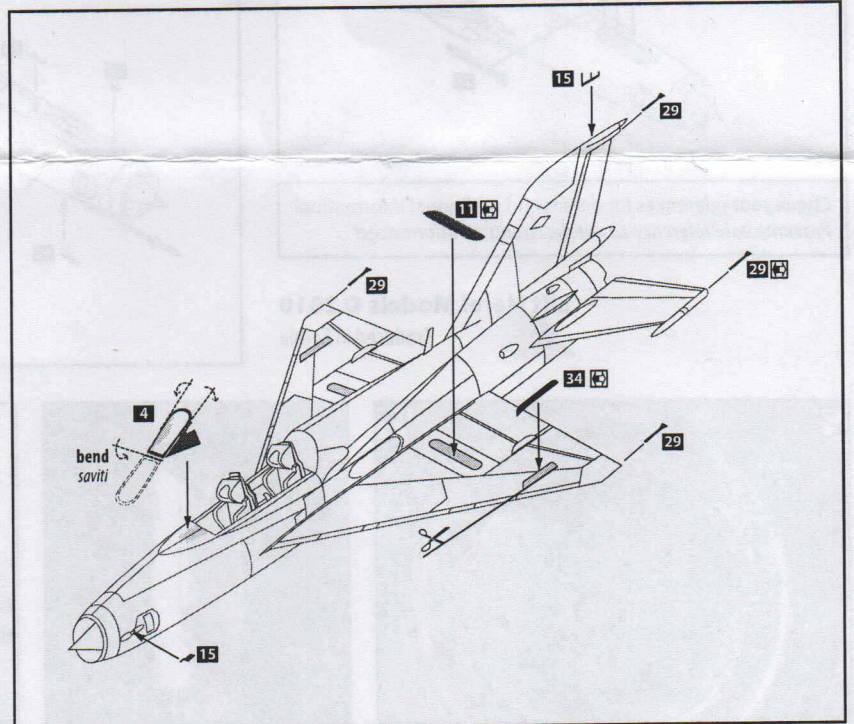
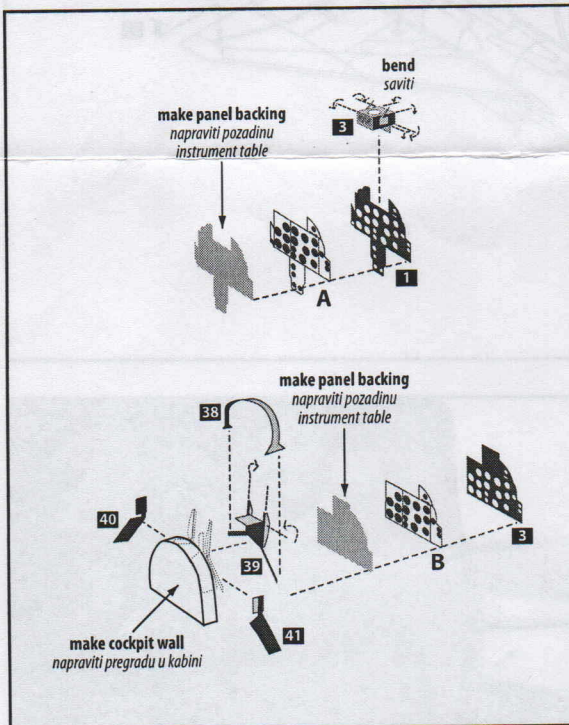
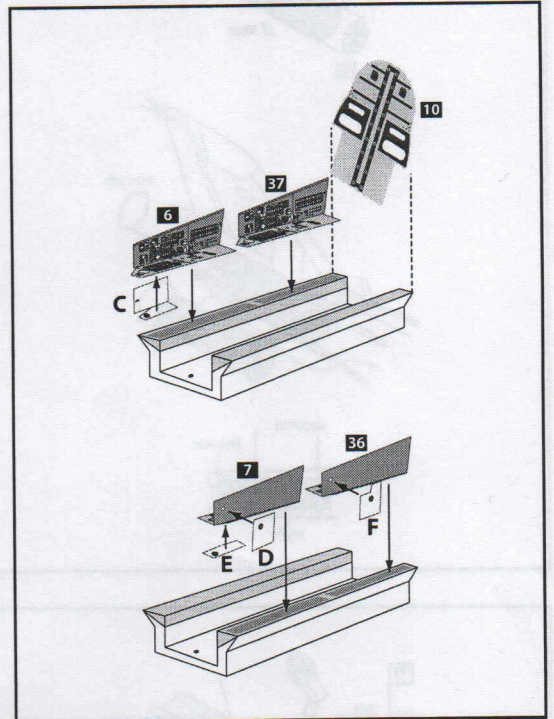
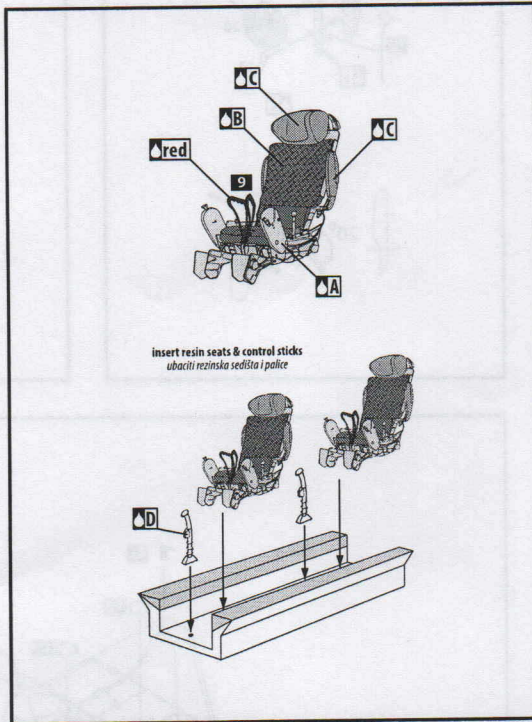
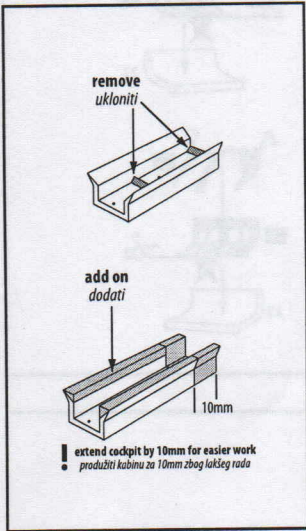
Pažljivo pročitati uputstvo pre sastavljanja.
Ne koristiti lepak i boje blizu otvorenog plamena.
Raditi u dobro ventilisanim prostorijama.
Držati van domačaja male dece.

Lift Here! Models © 2010

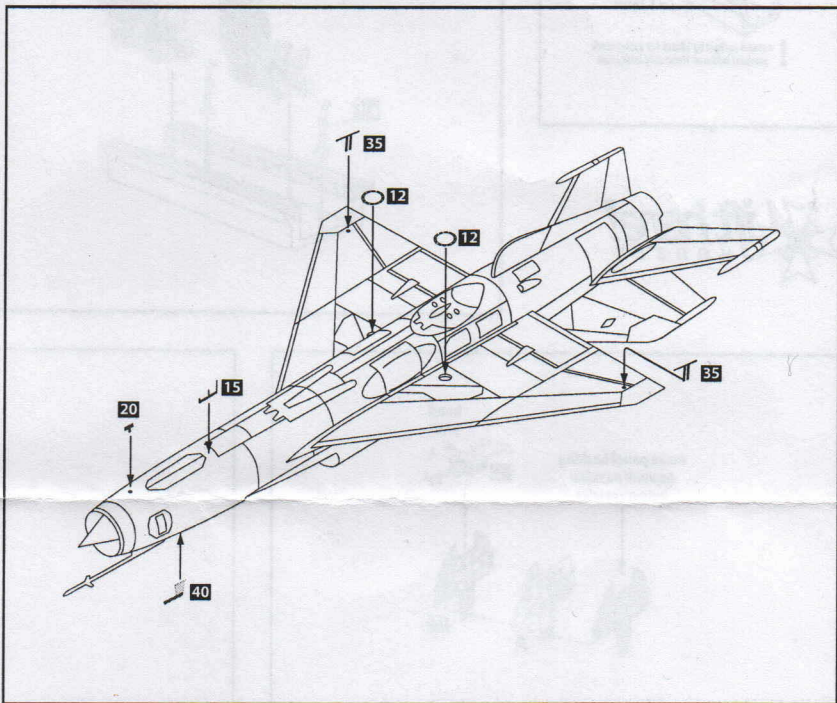
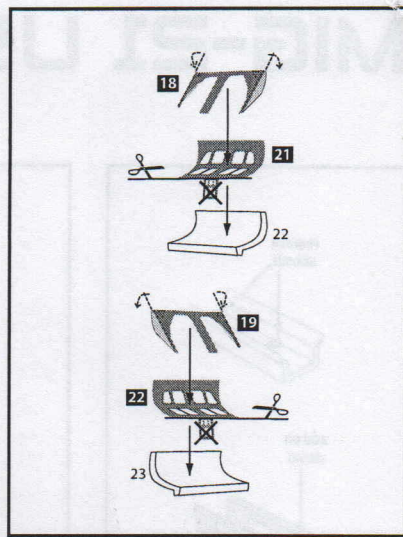
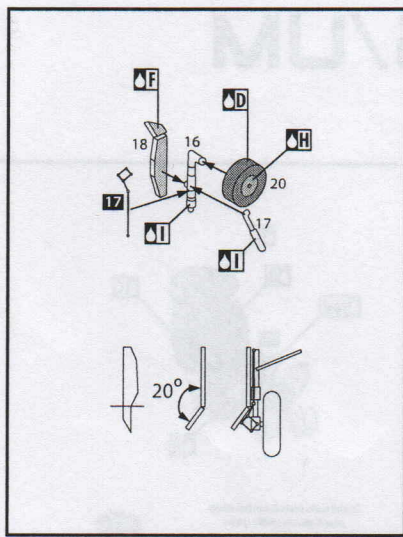
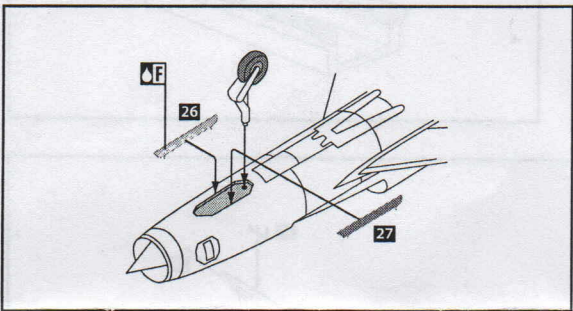
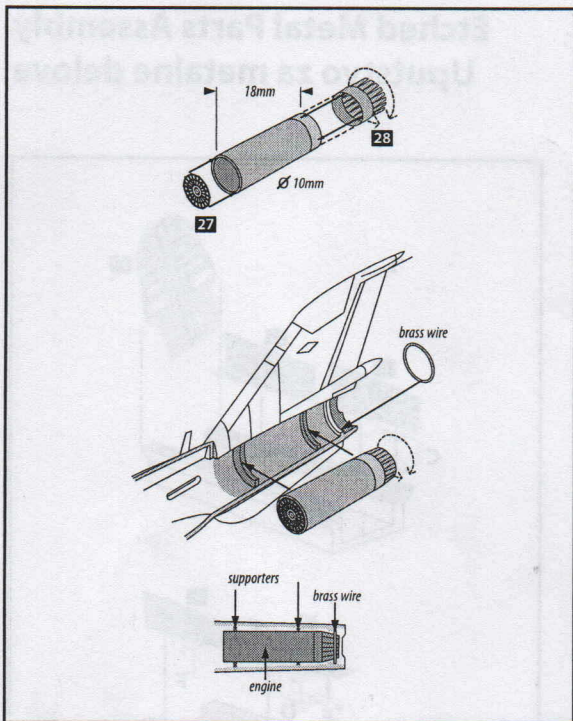
Produced in Serbia

MIG-21 US/UM

Etched Metal Parts Assembly Uputstvo za metalne delove

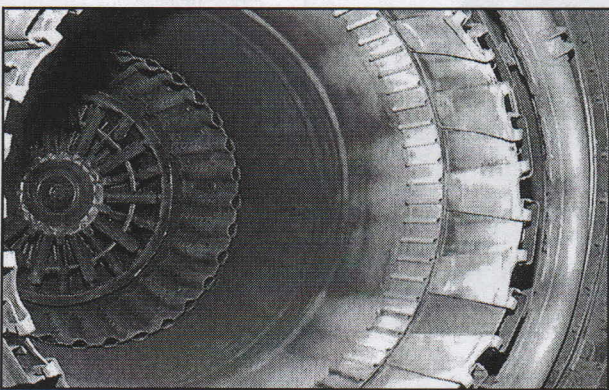
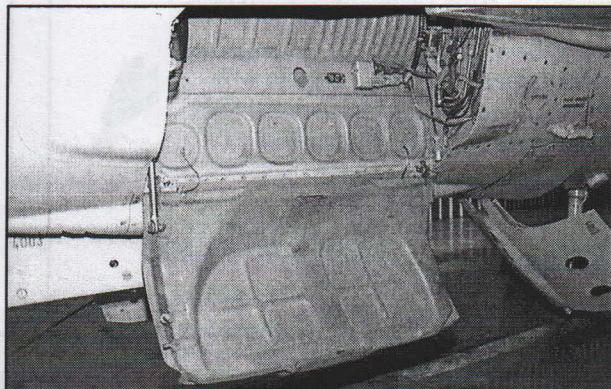
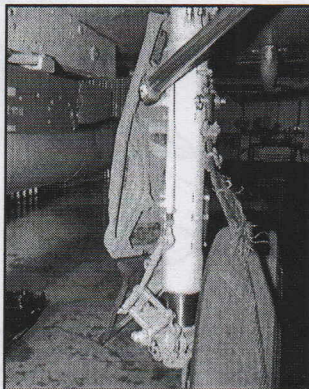
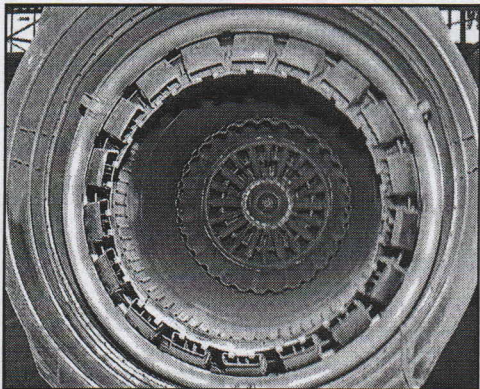


we recommend WWP's "MIG-21 Fishbed in Detail" book
for useful photographic details
preporučujemo knjigu "MIG-21 Fishbed in Detail" od WWP
zbog korisnih fotografija detalja



Check your references for details and additional information!
 Proverite vaše reference za detalje i dodatne informacije!

Lift Here! Models © 2010
 Produced in Serbia



symmetrical assembly / postaviti simetrično



decal / nalepnica



colour / boja



optional / opcija



cut / odseći



weight / opterećenje